

Gas Stove & Fireplace Inserts


AVALONTM
Firestyles for Life



Avalon Gas Stoves & Fireplace Inserts

Designed For Your Lifestyle

Avalon has been America's premier builder of custom hearth products for over two decades. If you love the look and coziness of a wood fire but do not have the time or desire to handle wood, then consider one of the beautiful gas burning appliances from Avalon™.

Avalon offers you gas fireplaces in a wide range of sizes for small, medium and large sized homes. Zone heating, in which only a portion of the home is heated, is also a popular and economical way to utilize your Avalon gas appliance.

We have faithfully adapted a number of traditional and regional designs that reflect the diversity of American architecture from yesterday and today.

Convenient Heat, Beautiful Flame

The design and craftsmanship of our products are positively stunning, and the fire is absolutely magical. All Avalon gas appliances feature innovative and award winning gas burner technology. Without a doubt, our gas burner technology along with hand-carved logs and glowing embers produce the most beautiful gas fire ever designed.

There are no visible gas tubes or metal pans, just glowing embers and soft dancing flames.

All stoves, inserts and fireplaces are rated as room heaters, with extraordinary efficiency.

You can have your Avalon dealer install a thermostat to keep the room temperature where you like it, or you can install a remote control to adjust the heat output to your own personal comfort level from the convenience of your chair.

All in all, there are no better values or finer gas products than the ones offered in this catalogue by Avalon.

Direct Vent Gas Systems

All Avalon gas appliances feature only the safest and most efficient type of gas venting, the Direct Vent System.

The Direct Vent System draws outside air into a SEALED fire-box for combustion, and vents the by-products of that combustion to the outdoors, which helps maintain indoor air quality. This safe, sealed system is the only gas venting system we use on all Avalon gas products.

No Power, No Problem

All Avalon gas appliances will continue to operate even if the power goes out.

Our gas appliances produce a small amount of electricity (millivolts), which continue to energize the gas valve and allow the appliance to heat even when the power goes out in your community. So when the power goes out, stay warm with your Avalon and have the neighbors over!



Avalon Gas Stoves

A gas stove can be a focal point in any room.

Avalon offers three distinctive models to choose from. The compact Cedar[™] design works equally well in traditional homes or those with a more contemporary flair. The Prairie[™] gas stove, which has its roots in the Arts & Crafts movement, echoes many of the details found in Mission-Style furniture designed by Gustav Stickly. And finally the beautiful cast iron Tree of Life[™] gas stove, which features finely detailed castings and a three-sided fireview in your choice of black paint or porcelain enamel finishes



Tree of Life shown in Antique Willow Enamel Finish



*Cedar[™]
Black Painted*



*Prairie[™]
Metallic Brown Painted*



*Tree of Life[™]
Black Painted*



*Tree of Life[™]
Majolica Brown Enamel*



*Tree of Life[™]
Antique Willow Enamel*

Cedar™ Gas Stove



The Cedar is shown with optional brushed nickel door, convection grill and ashlip trim.

Inspired by the stately evergreen trees in the Pacific Northwest from which it takes its name, the Avalon Cedar™ small direct vent gas freestanding stove is a versatile heat source for your home. The beautiful true-bay design provides an unobstructed view of the fire from every corner of the room. The Cedar™ Gas Stove comes standard with black door, black convection grill, and black top trivet. You can accessorize your Cedar with the following options:

OPTIONS

- Brushed Nickel Plated Door, Grill & Ashlip Trim • 24 Karat Gold Plated Door & Grill
- Cast Brick Fireback • Quiet 130 CFM Blower • Remote Control Thermostat • Wall Thermostat • Omega™ Modulating Remote



Brushed Nickel, 24K Gold and Black Paint Door Options.

Heating Capacity*: 500-1,500 SQ. FT.	Maximum BTU/HR Input: 31,000 (NG/LP)	Minimum BTU/HR Output: 16,000 NG 20,100 LP	Overall Efficiency**: 86.1% (NG/LP)	AFUE: 67.2% (NG/LP)	Overall Height: 28"	Overall Width: 22 1/2"	Overall Depth: 17 5/8"
---	--------------------------------------	--	--	------------------------	------------------------	---------------------------	---------------------------

* Gas appliance performance can be affected by negative pressure in the home and by prevailing atmospheric conditions. Contact local building or fire officials about restrictions and installation requirements in your area.

** Overall efficiency measured with maximum flue configuration. Heating capacity shown with blower.

Prairie™ Gas Stove



The Prairie is shown with standard brown metallic paint finish and hammered nickel accents.

The fine details that define the work of master furniture builders have been faithfully recreated in the heirloom Prairie gas stove, as functional as it is beautiful. The secret of this stove's efficiency lies in the combination of radiant heat with a three-sided convection chamber, which circulates heat throughout the room. The patented Ember-Fyre™ blaze is as realistic as a wood fire. The Prairie features authentic craftsman touches such as Quadrilinear caps and tenons. The Prairie comes in a warm metallic brown paint finish that features nickel plated, hand-hammered hinge covers and flue accent ring. The Prairie can be painted in other custom colors. Ask your Avalon dealer for details.

OPTIONS

- Quiet 130 CFM Blower • Wall Thermostat • Remote Control Thermostat • Omega™ Modulating Remote

Heating Capacity*: 500-1,500 SQ. FT.	Maximum BTU/HR Input: 31,000 (NG/LP)	Minimum BTU/HR Output: 16,608 (NG/LP)	Overall Efficiency**: 86.5% (NG/LP)	AFUE: 67.2% (NG/LP)	Overall Height: 29 1/2"	Overall Width: 28"	Overall Depth: 18"
---	--	---	--	---------------------------	----------------------------	-----------------------	-----------------------

* Gas appliance performance can be affected by negative pressure in the home and by prevailing atmospheric conditions. Contact local building or fire officials about restrictions and installation requirements in your area.

** Overall efficiency measured with maximum flue configuration. Heating capacity shown with blower.

Tree of Life™ Gas Stove



Shown in the Majolica Brown Enameled Finish

Inspired by the arches of cathedrals in Europe and a love of nature, the Tree of Life's delicate branch and leaf design is as captivating as its story. Early worshippers gathered in the woods before churches were ever built. Later, when cathedrals were constructed, this Tree of Life design was incorporated into their structures, reminiscent of the natural arches of the trees and branches interlocking. Today many of us still commune with trees and nature, spending time in the outdoors to feel connected, refreshed and inspired.

The Tree of Life™ features a view of the fire on three sides for a huge 538 square inches of viewing area! The double doors can be positioned open (note the finely cast detail even on the inside of the door) or completely removed for unobstructed fire viewing.

Heating Capacity*: 500-1,500 SQ. FT.	Maximum BTU/HR Output: 31,000 (NG/LP)	Minimum BTU/HR Input: 16,608 (NG/LP)	Overall Efficiency**: 86.5% (NG/LP)	AFUE: 72.8% (NG/LP)	Overall Height: 28 3/4"	Overall Width: 26 3/4"	Overall Depth: 18 3/8"
---	---	--	--	---------------------------	----------------------------	---------------------------	---------------------------

* Gas appliance performance can be affected by negative pressure in the home and by prevailing atmospheric conditions. Contact local building or fire officials about restrictions and installation requirements in your area.

** Overall efficiency measured with maximum flue configuration. Heating capacity shown with blower.



Shown in the Cast Black Painted Finish

The advanced log design of the Tree of Life was specifically made with 180 degree viewing in mind. Each log can be enjoyed from any angle. The award-winning Ember-Fyre™ burner presents the most realistic, wood-like fire found in any gas appliance. Add the optional reversible fireback to the Tree of Life. This ceramic fireback features with common straight brick on one side and herringbone brick on the other.

Majolica Enamel Finish

Both the premium Brown and Antique Willow porcelain enamel finishes feature a reverse majolica process. This double enameling process allows the under color to show through the raised cast edges of the top enamel finish. This produces a unique enamel finish never before offered on a cast iron gas stove.

OPTIONS

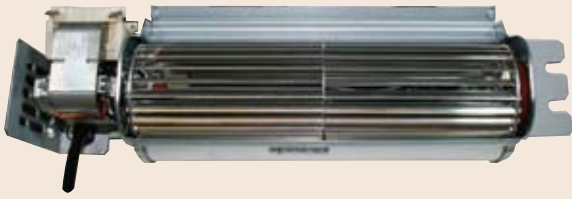
- 130 CFM Convection Fan
- Remote Control Thermostat
- Omega™ Modulating Remote Control
- Wall Thermostat
- Ceramic Brick Fireback (Reversible)
- Adjustable Accent Light



Accent Light Option

Add a warm glow even when the fire is turned off. The accent light option adds a glowing backlight behind the logs. It's perfect as a night-light or soft indirect light for the room.

Gas Stove Options



Convection Fan

Increase the movement of heat into the room with a quiet convection fan. A convection fan helps quickly move heat off the gas stove and transfer it into your living space. Our convection fans easily mount to the back of the gas stove and is controlled by a variable speed rheostat.

Cedar - 130 CFM

Prairie -130 CFM

Tree of Life -130 CFM



Wall Thermostat

The wall thermostat provides the ability to set the desired temperature that you would like for the room. The fireplace will cycle on and off to maintain your set temperature. The Wall Thermostat can be wired up to 25 feet from the appliance.



High Gloss Stove Pipe Paint

If you have chosen the Tree of Life gas stove in one of the premier porcelain enamel finishes, you have the option of painting the interior stove pipe in the same color to match the stove. Your dealer carries high temperature gloss paint manufactured by Stove Bright™ in both the Majolica Brown and Antique Willow colors.

Basic Remote Control

Control your Avalon gas stove from the comfort to your sofa or easy chair. The Standard Remote Control allows for convenient Manual ON/OFF control of the fire or Automatic Thermostatic Control of your fireplace. Just set your desired room temperature on the remote control and let the stove or insert do the rest. Remote includes timer and child proof lock out.



Omega™ Modulating Remote Control

The Omega Modulating Remote Control allows for the ultimate in remote control operation of your fireplace. The Omega remote allows for ON/OFF and thermostatic controls along with modulating (high to low) control of flame height, convection fan speed and intensity of the accent light.

The Omega Modulating Remote is designed to be used with the optional convection fan and accent light options.

Cedar - Convection Fan only

Prairie - Convection Fan only

Tree of Life* - Convection Fan and Accent Light

*Note: Tree of Life requires optional Fan as power source to operate Accent Light option.

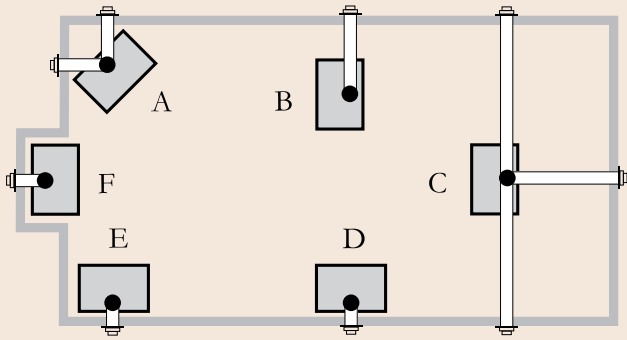


Gas Stove Specifications

The information on this page is for reference ONLY! Installation information is available through your Avalon dealer or through the Avalon website at: www.avalonfirestyle.com

LOCATION OPTIONS WITH DIRECT VENT SYSTEM.

Direct Venting System provides for horizontal or vertical venting through the outside wall or ceiling, allowing you to install your stove virtually anywhere in the room.

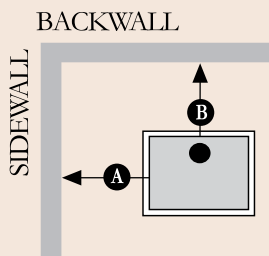


You can install your stove in any of these configurations:

- A - Cross Corner
- B - Room Divider
- C - Island
- D - Flat on Wall
- E - Flat on Wall Corner
- F - Flat with Wall/Alcove

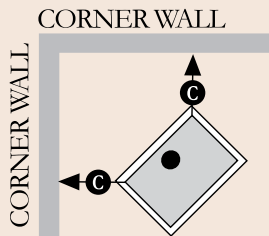
Where would you like the stove to go in your home?

CLEARANCES TO COMBUSTIBLES All measurements are to be measured from stove top to combustible walls.



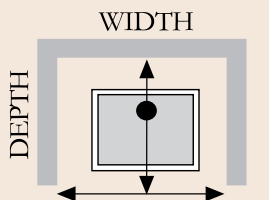
STRAIGHT WALL INSTALLATION

CEDAR	PRAIRIE	TREE OF LIFE
A - Stove to Sidewall: 10"	A - Stove to Sidewall: 9 1/2"	A - Stove to Sidewall: 10"
B - Stove to Backwall: 5"	B - Stove to Backwall: 5"	B - Stove to Backwall: 5"



CORNER INSTALLATION

CEDAR	PRAIRIE	TREE OF LIFE
C - Stove to Corner: 5"	C - Stove to Corner: 5"	C - Stove to Corner: 5"



ALCOVE INSTALLATION

CEDAR	PRAIRIE	TREE OF LIFE
Min. Width: 42 1/2" Max. Depth: 48" Min. Height: 60"	Min. Width: 47" Max. Depth: 45" Min. Height: 58"	Min. Width: 46 3/4" Max. Depth: 45" Min. Height: 58"

MINIMUM HEARTH PAD SIZES

A non-combustible hearth pad is required when the stove is installed directly on carpeting, vinyl or combustible flooring other than wood. A metal or wood hearth pad must extend the full width and depth of the stove. No hearth pad is required if the stove is installed on non-combustible flooring (tile, stone, brick) or if installed on a wood or wood laminate floor.

CEDAR
MINIMUM HEARTH PAD
Size: 22 1/2" x 17 5/8"

PRAIRIE
MINIMUM HEARTH PAD
Size: 28" x 18"

TREE OF LIFE
MINIMUM HEARTH PAD
Size: 26 3/4" x 19"

Gas Fireplace Inserts

Avalon gas fireplace inserts are designed to turn your existing inefficient masonry or zero clearance (metal) fireplace into an economical and beautiful heat source. You'll still enjoy a gorgeous fire without losing the heat out your chimney!

You have a choice of two sizes to meet your heating needs and to fit your fireplace, Direct Vent Small (DVS) and Direct Vent Large (DVL) - See page 19. Our inserts feature designer faces for any decor and reversible brick firebacks in straight or herringbone brick patterns. Quiet 130 CFM blowers are standard in the DVS and DVL inserts and are designed to increase the heat transfer into your home. Remote controls or wall thermostat can also be added for hands-free convenience and comfort.

Rosario DVS Insert with Nickel Door option and panels cut down for an inside fit.



INSERT FACES



Victorian Lace™
Black Painted Finish
DVS - 32" W x 22 1/2" H
DVL - 35 3/4" W x 27" H



Victorian Lace™
Black Nickel Plated Finish
DVS - 32" W x 22 1/2" H
Not available for the DVL



Cambridge™
Black Painted
DVS - 33 7/8" W x 21 1/2" H
DVL - 37 5/8" W x 25 7/8" H



Rosario™
Black Painted
DVS - 32" W x 21 9/16" H
DVL - 35 3/4" W x 26" H



Bungalow™
Charcoal Textured Powder Coated
DVS - 37 1/2" W x 23 1/8" H
DVL - 40 1/4" W x 27" H



Tree of Life™ Double Door
Bronze Textured Powder Coated
DVS - 37 1/2" W x 23 1/8" H
DVL - 40 1/4" W x 27" H

How To Choose the Right Insert

STEP #1 -

Identify the proper model for your fireplace and heating needs.

Our gas inserts are available in two sizes, the Direct Vent Small (DVS) and the Direct Vent Large (DVL). Use the sizing chart on page 19 to select the best insert for your needs. The DVS and DVL inserts are designed for installation into both masonry fireplaces, zero clearance (metal) fireplaces and are approved for use in mobile homes.

These gas inserts feature the patented Ember-Fyre™ burner, the most beautiful gas fire available.

STEP #2 -

Choose the look that completes your home decor.

There are six custom fireplace faces available for the DVS & DVL insert. We were inspired to offer a variety of five architectural designs with color options and interior choices to allow you to customize your gas insert. When you see and feel the warmth of an Avalon insert in person, it is apparent that the quality and craftsmanship are of the highest caliber.

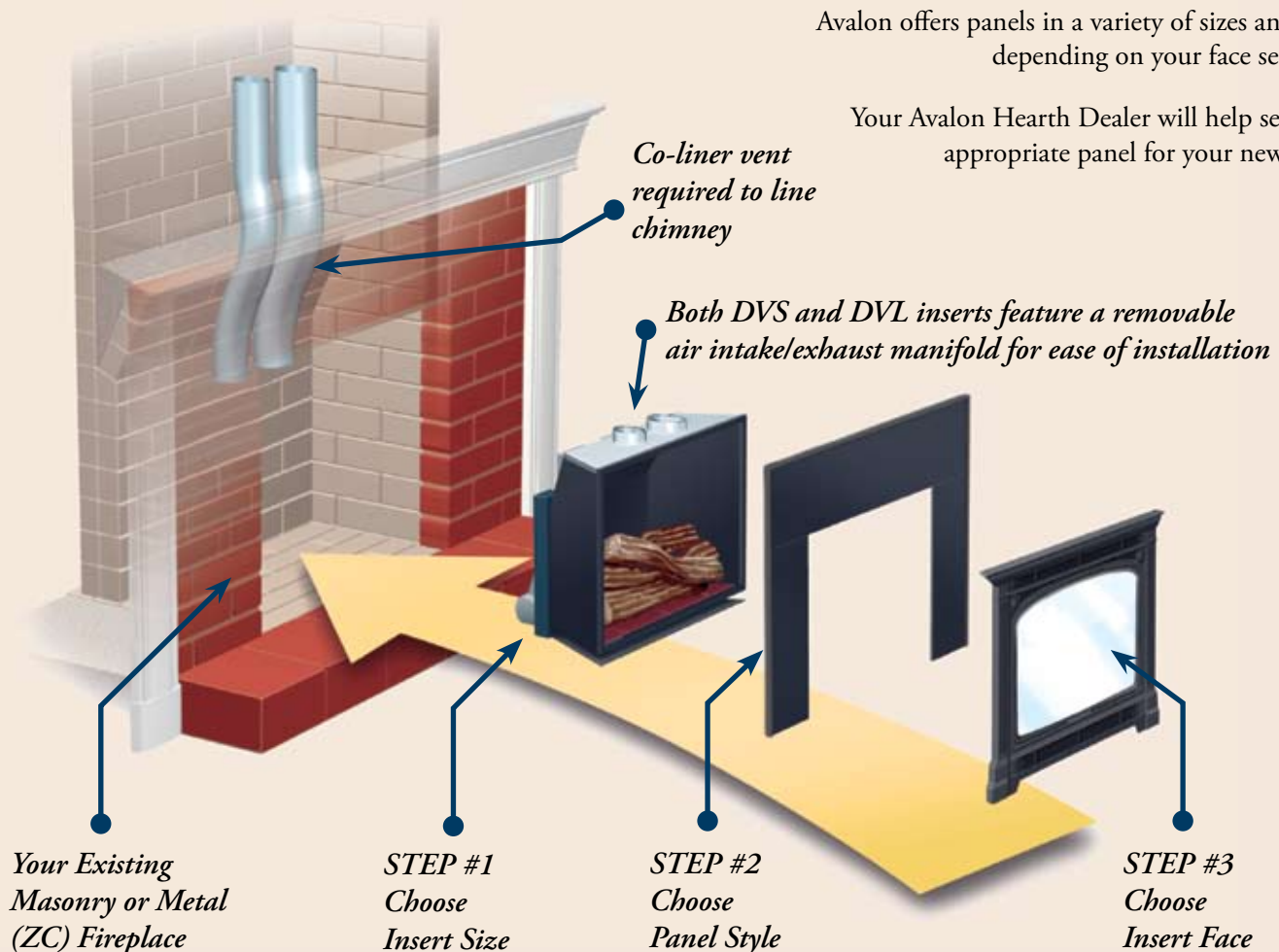
STEP #3 -

Identify the surround panel size and style .

To complete the look after the insert is installed in your fireplace, a set of panels or backing plates are attached to the insert to accommodate the size variance between the custom insert face and the size of your existing fireplace opening.

Avalon offers panels in a variety of sizes and styles depending on your face selection.

Your Avalon Hearth Dealer will help select the appropriate panel for your new insert.



Rosario™ Fireplace Inserts



This DVS insert is shown with the Rosario face, optional brushed nickel finished door and brick fireback.

Named for the classic resort in the San Juan Islands of Washington State, the Rosario™ face offers an elegant, flush fireplace insert that can convert almost any existing masonry or zero clearance fireplace into a beautiful, yet economical source of heat for your home. Made from the highest quality materials and heavy gauge steel, the Rosario insert is designed for exceptional heat transfer. The contemporary look of the Rosario's clean, flush lines comes with a black framed fireviewing window. Upgrade the look of the Rosario face by adding bronze powder coated or nickel plated glass frame options to make a beautiful heating statement for any home.

OPTIONS

- Bronze Powder Coated Door
- Brushed Nickel Plated Door
- Reversible Brick Fireback
- Remote Control Thermostat
- Omega™ Modulating Remote Control
- Wall Thermostat
- Accent Light

*Powder Coated Bronze,
Brushed Nickel,
and Black Painted
Window frame Options.*





The DVL insert is shown with the Cambridge face, 8 x 10 surround panels and optional brick fireback showing the Herringbone pattern.

The traditional look of the Avalon Cambridge™ gas insert recalls a time when charm and function were the tradesman's mark. Made from solid castings which allow for exceptional heat transfer, the Cambridge features a mantle accented by fluted channels and a gently curving arch that frames a large fire viewing area. The classic lines and hand-carved details tell a story of craftsmanship and comfort – a gracious invitation to delight in the beauty and warmth of realistic wood-like flames leaping over brightly glowing embers.

OPTIONS

- Reversible Brick Fireback • Accent Light • Remote Control Thermostat
- Omega™ Modulating Remote Control • Wall Thermostat

Victorian Lace™ Fireplace Inserts



The DVS insert is shown with black painted Victorian Lace face, optional brick fireback and 8" surround panels.

Beautiful, graceful & classic are words that come to mind when viewing the Victorian Lace™ fireplace insert. This elegant look features intricate designed top and bottom convection grills. The Victorian Lace in black paint finish adds style to both traditional and contemporary homes.

OPTIONS

- Reversible Brick Fireback • Accent Light • Remote Control Thermostat
- Omega™ Modulating Remote Control • Wall Thermostat



The DVS insert is shown with black nickel Victorian Lace face, optional brick fireback and 8" panels cut for an inside fit.

For a more dramatic look consider the beautiful Victorian Lace face in stunning black nickel. The glossy black nickel plated surface combined with the raised brushed nickel accents and grill insets is guaranteed to make your fireplace a focal point of any room and is designed to mirror the sparkle and shine of the beautiful fire. Available for the DVS insert only.



Black nickel face detail



DVL fireplace insert shown with Bungalow Double Doors, Large Backing Plate and optional Herringbone Brick fireback.

The Mission-style Bungalow double door will give a beautiful new look to your living room, den or any room in your home when you update your fireplace with our insert. The Bungalow double door features a charcoal, textured powder coated finish that resembles burnished antique iron. The quadraliner post caps reflect the Mission era theme. The grills are a decorative basket weave pattern with hammered detail to enhance the three-dimensional woven pattern.

The Bungalow double door must be used with the Backing Plate instead of panels. This combination complements the clean lines of the double doors, allowing you to install your insert to look like a traditional fireplace. The Backing Plate comes in two sizes and can be used with the existing rectangular panel system to cover larger areas. See pages 17-18 for details.

OPTIONS

- Reversible Brick Fireback • Accent Light • Remote Control Thermostat
- Omega™ Modulating Remote Control • Wall Thermostat

Tree of Life™ Fireplace Inserts



DVL fireplace insert features the Tree of Life double door, small Backing Plate with optional Herringbone brick fireback and Accent Light.

The Tree of Life™ double door adds a beautiful new focal point to your living room, den or any room in your home. The Tree of Life double door features an stylized tree pattern in a bronze, textured powder coated finish that resembles burnished antique metal.

The Tree of Life double door must be used with a Backing Plate instead of panels. This combination complements the clean lines of the double doors, allowing you to install your insert with a paneless look. The Backing Plate comes in two sizes and can be used with the existing rectangular panel system to cover larger areas. See pages 17-18 for details.

OPTIONS

- Reversible Brick Fireback • Accent Light • Remote Control Thermostat
- Omega™ Modulating Remote Control • Wall Thermostat

Double Door Backing Plates

The Bungalow and Tree of Life Double doors for the DVS and DVL gas inserts do not use the standard rectangular finish panels shown on page 21. Instead, these faces attach to backing plates that take the place of the panels. This gives the impression that there are no panels on the insert and gives you a true fireplace look. The Backing Plates come in two size to fit almost all fireplace openings. If you require the use of the large backing plate, a decorate Accent trim can be added to give a more finished double door look to your insert. If you require an even larger panel coverage area you can then add the large 10" x 13" panel sets to the Backing Plate.

Small Backing Plate



Tree of Life Double Doors



Bungalow Double Doors

DVL Gas Insert shown with the Small Backing Plate. Note how the double doors completely cover the backing plate and gives the impression of a true custom fireplace without visible panels showing.

Large Backing Plate



Tree of Life Double Doors and Optional Tree of Life Accent Plate



Bungalow Double Doors and Optional Bungalow Accent Plate

DVL Gas Insert with the Large Backing Plate. Note how the double doors only partially cover the backing plate. An optional matching Accent Plate is available to finish the panel area above the door.

Double Door Backing Plates

Double Door Backing Plates Assembly & Parts List

Small Backing Plate Coverage Area

DVS - 23 1/8" H x 37 1/2" W

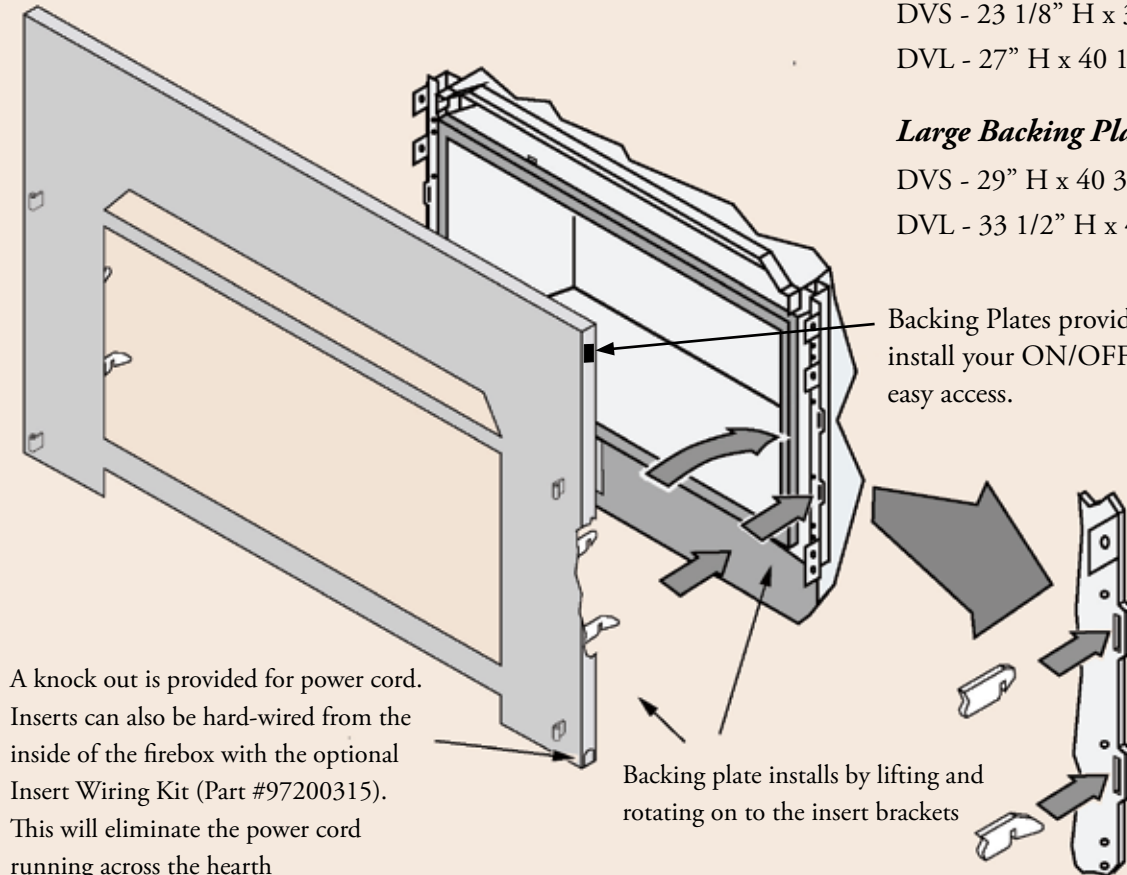
DVL - 27" H x 40 1/4" W

Large Backing Plate Coverage Area

DVS - 29" H x 40 3/8" W

DVL - 33 1/2" H x 44" W

Backing Plates provide you the ability to install your ON/OFF Switch on the side for easy access.



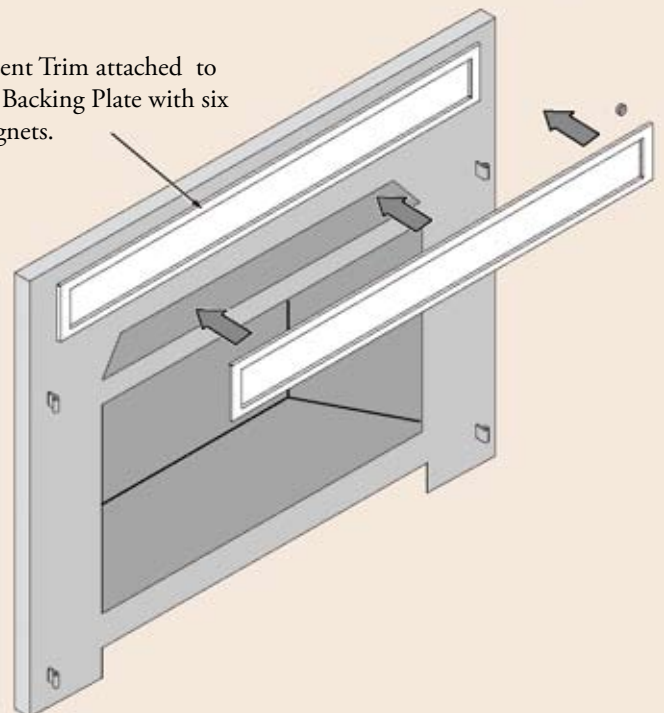
A knock out is provided for power cord. Inserts can also be hard-wired from the inside of the firebox with the optional Insert Wiring Kit (Part #97200315). This will eliminate the power cord running across the hearth

Backing plate installs by lifting and rotating on to the insert brackets

Optional Accent Trim Plate - For Large Backing Plates Only

The Accent Plate is available to match the powder coated Bungalow and Tree of Life double doors. The Accent Plate fills in the area above the double doors and gives the impression on a completely finished door/face.

Accent Trim attached to the Backing Plate with six magnets.



Gas Fireplace Inserts Specification

Gas appliance performance can be affected by negative pressure in the home and by prevailing atmospheric conditions. Contact local building or fire officials about restrictions and installation requirements in your area.

The information on this page is for reference ONLY! Installation information is available through your Avalon dealer or through the Avalon website at: www.avalonfirestyle.com

Avalon Gas Inserts are Tested and Listed by OMNI-Test Laboratories to ANSI Z21.88

1 DVS

Direct Vent Small Gas Insert

For smaller homes and for zonal heating needs

Heating Capacity: Up to 1,500 SQ. FT.

Maximum BTU Input: 31,000 BTU/HR NG/LP

Overall Efficiency: 85% NG 85.5% LP

AFUE: 72.1% NG 73.9% LP

Glass Area: 352.52 SQ. IN.

Unit Height: 19 1/2"

Unit Width in Front: 26 1/2"

Unit Width in Back: 18"

Unit Depth: 15 1/8"



2 DVL

Direct Vent Large Gas Insert

For larger rooms and complete home heating needs.

Heating Capacity: Up to 2,000 SQ. FT.

Maximum BTU Input: 40,000 BTU/HR NG/LP

Overall Efficiency: 84% NG 86% LP

AFUE: 71.7% NG 73.4% LP

Glass Area: 518.38 SQ. IN.

Unit Height: 23 3/4"

Unit Width in Front: 31 1/2"

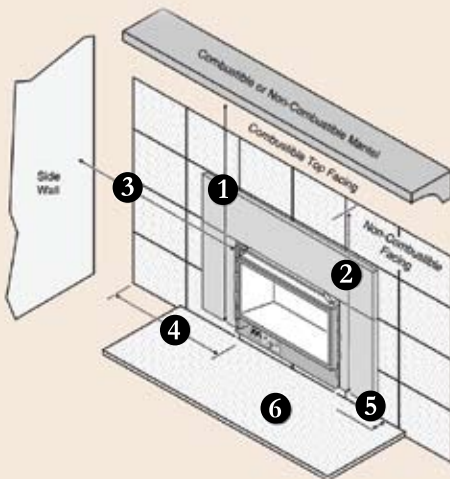
Unit Width in Back: 20"

Unit Depth: 14 1/2"



CLEARANCES TO COMBUSTIBLES

Complete installation information is available at your local Avalon dealer or on our website at www.avalonfirestyle.com



DVS

- 1 = Floor To Mantel 35"*
- 2 = Floor To Top Facing 35"*
- 3 = Insert To Sidewall 4 1/2"
- 4 = Insert To Side Facing 4 1/2"
- 5 = Extension onto Hearth 1 1/4"
- 6 = Hearth Not Required 0"

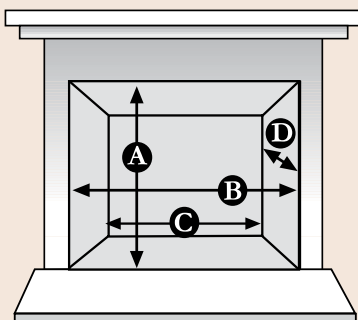
* Maximum 12" mantle depth

** Combustible area above the facing must not protrude more than 3/4" or must be considered mantel.

DVL

- 1 = Floor To Mantle 35 1/2"*
- 2 = Floor To Top Facing 35 1/2"*
- 3 = Insert To Sidewall 4"
- 4 = Insert To Side Facing 4"
- 5 = Extension onto Hearth 1 1/4"
- 6 = Hearth Not Required 0"

SIZING YOUR EXISTING FIREPLACE Recommended fireplace measurements required for installation



DVS

Minimum Requirements:

- A = Height 19 1/2"
- B = Front Width 26 1/2"*
- C = Back Width 18"
- D = Depth 15 1/8"*

* Additional space may be required for gas line installation.

DVL

Minimum Requirements:

- A = Height 23 3/4"
- B = Front Width 31 1/2"*
- C = Back Width 20"
- D = Depth 14 1/2"*

YOUR FIREPLACE

Write In Your Fireplace

Dimensions:

- A = Height _____
- B = Front Width _____
- C = Back Width _____
- D = Depth _____

Gas Fireplace Inserts Options

REVERSIBLE LINER

Avalon gas inserts feature the option of adding a ceramic brick fireback that looks like real masonry brick. The firebacks are reversible and offer you the choice of straight or herringbone brick patterns or mix them up.



Side One - Straight Brick



Side Two - Herringbone Brick

WALL THERMOSTAT OR REMOTE

Avalon wall thermostat and remote control options make the operation of your insert as easy as setting the temperature on the wall thermostat, or pushing a button from the comfort of your living room chair.

WALL THERMOSTAT

The wall thermostat can be wired up to 25 feet from the appliance and allows you to set the room temperature you wish to maintain in the room.



REMOTE CONTROL

Remote allows for convenient ON/OFF control of the fire along with thermostat settings from the convenience of your couch or bed. This remote also features a 30 minute timer and child-proof lock.



OMEGA™ REMOTE CONTROL

For the ultimate control of your insert, the Omega™ Remote Control offers ON/OFF and thermostat controls along with modulating (high to low) control of the flame heat output, convection fan speed and intensity of the optional Accent Light.



ACCENT LIGHT

Add a back light to your gas insert to accent both the logs and the optional brick fireback. The accent light can be operated when the fire is on or off to give the fireplace a warm glow all year long.



Straight Brick with Accent Light On



Herringbone Brick with Accent Light On

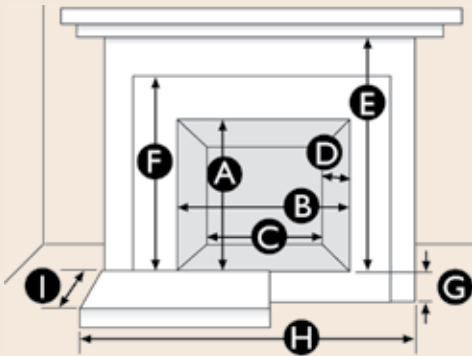
Finishing Your Fireplace Insert

Sizing Your Fireplace For An Insert

Before visiting your Avalon dealer, answer these helpful questions.

1. What purpose will the fireplace insert fill?
 - a) Zonal or Supplemental Heating
 - OR
 - b) Whole Home Heating
2. What room or rooms (determine square footage) will the insert be used to heat?
3. Do you have natural gas or propane and has it been piped to the fireplace?
4. Is the fireplace Masonry or Zero Clearance (Metal) construction?

It would be helpful to jot down these basic measurements. Your hearth professional can assess your installation, and help select the correct fireplace insert for your heating needs.



Your Fireplace Measurements

- A = Opening Height _____
- B = Width in Front _____
- C = Width in Back _____
- D = Depth of Fireplace _____
- E = Hearth to Mantle _____
- F = Hearth to Combustible Facing _____
- G = If the fireplace is raised above the hearth, what is the distance from the hearth to the fireplace opening? _____
- H = Width of Hearth _____
- I = Depth of Hearth _____

Insert panels are used to close off the opening of your fireplace when installing a gas insert. Avalon offers three choices of panels for the Rosario, Cambridge and Victorian Lace faces.



Rectangular Panels

The Rectangular Panel System is available in three sizes and is the most versatile.

DVS 4"x 6" - Covers 25" H x 37 1/8" W
 DVS 8"x 10" - Covers 28 7/8" H x 40 1/4" W
 DVS 10"x 13" - Covers 31 7/8" H x 44 1/4" W

DVL 4"x 6" - Covers 29" H x 40" W
 DVL 8"x 10" - Covers 33 3/8" H x 44 3/16" W
 DVL 10"x 13" - Covers 36 3/8" H x 48 3/16" W



Inside-Fit Panels

You can modify (cut-down) the standard rectangular panels to fit the inside opening of your fireplace. This allows you to showcase your original fireplace finish and the fireplace face.



Lower Zero Clearance Panel

Designed to be used with the Rectangular panel system, this lower panel offers a finished appearance to your installation when the existing fireplace opening is elevated above the floor. This panel can be cut to size and will cover up to 7" below the insert.

Insert Wiring Kit

Normal installation requires the cord for the standard convection fan to run out from the bottom of the finish panel to a wall outlet. If you do not want the power cord running across your hearth, consider using the optional Insert Wiring Kit (Part # 97200315). This kit allows you to hard-wire the insert's electrical connection within your existing fireplace. Ask your Avalon dealer for details.

Ember-Fyre™ Burner

Is It A Wood Or Gas Fire?

*U.S. Patent #6,602,068, #6,443,726 and other patents pending

Patented Ember-Fyre™ Burner Featured on all Avalon Gas Stoves and Gas Fireplace Insert Models

Popular Science® magazine awarded the prestigious “Best of What’s New” award to the Ember-Fyre as one of the year’s top achievements in Science and Technology. This combustion system delivers an efficiency of up to 86% (NG). The level of realism is so remarkable it is difficult to tell apart from our wood burning appliances. Unlike other gas burners, the pilot is hidden. There are no unsightly burner tubes or metal pans and the fire and glowing embers are just as beautiful on the low flame setting as they are on high.

How It Works:

- (1) Natural gas or propane is piped to a sophisticated SIT™ gas valve and started with the reliable Pizeo ignition to provide reliable, continuous operation even if the power goes out in your home.
- (2) The low-pressure gas then flows to a precisely engineered burner orifice.
- (3) A hidden mixing tube mixes the gas with outside air. The standard mix is set by the installer to compensate for variations in altitude, fuel type, and line pressure.
- (4) The gas/air mixture flows through a unique array of burner ports in the ceramic base, where it ignites and burns.
- (5) As the Ember-Fyre heats up to a deep red 1200°F, it mimics the look of glowing wood embers and charred logs. Dancing yellow flames further enhances the look and feel of a real wood fire.
- (6) For hands free operation the optional remote control, Omega™ remote or wall thermostat allows you to set and maintain the comfort level of your home.



GAS GETS REAL



All Avalon firestyles are proudly made in the U.S.A.



Wood Burning Catalog



Gas Fireplace Catalog



Pellet Stoves and Inserts Catalog



Electric Fireplace Catalog

Avalon Wood, Gas, Pellet & Electric Products

With the Avalon product line all the elements come together: architectural styling, innovative technology and dedicated craftsmanship, offering you a dream-fulfilling heating solution for every part of your house. Avalon manufactures steel and cast iron wood burning products, an extensive gas fireplace line, a pellet stove and insert line and electric fireplaces. We hope our products will bring enjoyment, warmth and many pleasant hours spent in front of an Avalon of your choice.

Avalon Dealers are chosen to present our products because of their commitment to you, the customer. They are trained to provide the best possible sales experience, assist you in selecting the right hearth appliance and provide proper installation to ensure flawless operation. They are truly your local hearth product specialists.



www.avalonfirestyle.com

See the wide range of Avalon products at:

Free Manuals Download Website

<http://myh66.com>

<http://usermanuals.us>

<http://www.somanuals.com>

<http://www.4manuals.cc>

<http://www.manual-lib.com>

<http://www.404manual.com>

<http://www.luxmanual.com>

<http://aubethermostatmanual.com>

Golf course search by state

<http://golfingnear.com>

Email search by domain

<http://emailbydomain.com>

Auto manuals search

<http://auto.somanuals.com>

TV manuals search

<http://tv.somanuals.com>