

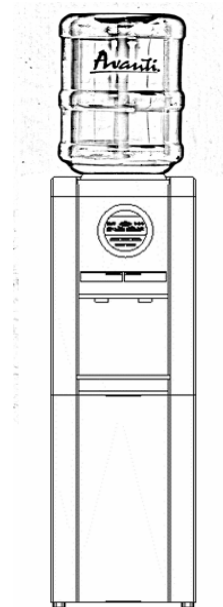


INSTRUCTION MANUAL

Model Numbers/Número de Modelos:

WDE98PS

ELECTRONIC WATER DISPENSER
ENFRIADOR DE AGUA FRIA Y CALIENTE ELECTRONICO



BEFORE USE, PLEASE READ AND FOLLOW ALL SAFETY RULES AND OPERATING INSTRUCTIONS.

La sección en español empieza en la página **13**.

Avanti has a policy of continuous improvement on its products and reserves the right to change materials and specifications without notice.

Avanti Products
P.O. Box 520604 - Miami, Florida 33152
www.avantiproducts.com

Registration Information

Thank you for purchasing this fine Avanti product. Please fill out this card and return it within 100 days of purchase and receive these important benefits:

✂ **Protect your product:**

We will keep the model number and date of purchase of your new Avanti product on file to help you refer to this information in the event of an insurance claim such as fire or theft.

✂ **Promote better products:**

We value your input. Your responses will help us develop products designed to best meet your future needs.

-----(detach here)-----

Avanti Registration Card

Name			Model #	Serial #
Address			Date Purchased	Store/Dealer Name
City	State	Zip	Occupation	
As Your Primary Residence, Do You:				
Area Code	Phone Number	<input type="checkbox"/> Own	<input type="checkbox"/> Rent	

Did You Purchase An Additional Warranty:

Extended None

Reason For Choosing This Avanti Product:

Please indicate the most important factors that influenced your decision to purchase this product.

- Price
- Product Features
- Avanti Reputation
- Product Quality
- Salesperson Recommendation
- Friend/Relative Recommendation
- Warranty
- Other _____

Your Age:

under 18 18-25 26-30
 31-35 36-50 over 50

Marital Status:

Married Single

Is This Product Used In The:

Home Business

How Did You Learn About This Product:

Advertising In Store Demo Personal Demo

Other _____
Comments _____

HELP US HELP YOU

Read this guide carefully.

It is intended to help you operate and maintain your new water dispenser properly.

Keep it handy to answer your questions. If you don't understand something or you need more assistance please call:

Avanti Customer Service

800-220-5570

Keep proof of original purchase date (such as your sales slip) with this guide to establish the warranty period.

Write down the model and serial numbers.

You'll find them on a label located on the back side of the unit.

Please write these numbers here:

Date of Purchase

Model Number

Serial Number

Use these numbers in any correspondence or service calls concerning your water dispenser.

If you received a damaged water dispenser, immediately contact the dealer (or builder) that sold you the water dispenser.

Save time and money. Before you call for service, check the Trouble Shooting Guide. It lists causes of minor operating problems that you can correct yourself.

IF YOU NEED SERVICE

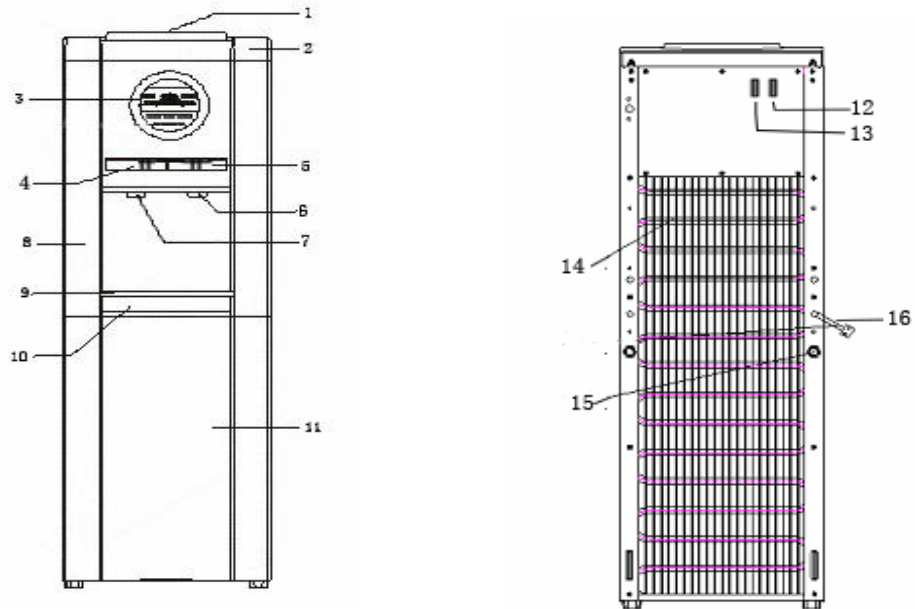
We're proud of our service and want you to be pleased. If for some reason you are not happy with the service you receive, here are some steps to follow for further assistance.

FIRST, contact the people who serviced your appliance. Explain why you are not pleased. In most cases, this will solve the problem.

NEXT, if you are still not pleased, write all the details, including your telephone number, and send it to:

**Customer Service
Avanti Products
10880 NW 30 Street
Miami, FL 33172**

PARTS AND FEATURES



1. WATER INTAKE
2. TOP COVER
3. CONTROL AND DISPLAY PANEL
4. HOT WATER BUTTON WITH CHILD SAFETY BUTTON (RED)
5. COLD WATER BUTTON (BLUE)
6. HOT WATER FAUCET
7. COLD WATER FAUCET
8. FRAME
9. REMOVABLE DRIP TRAY COVER
10. REMOVABLE DRIP TRAY
11. STORAGE COMPARTMENT
12. CONDENSER
13. HOT WATER DRAIN
15. POWER SUPPLY CORD

TABLE OF CONTENTS

Registration Information	2
Help Us Help You	3
Parts And Features	4
Table Of Contents	5
Important Safety Instructions	6
Installation Guidelines:	6
Before Using Your Water Dispenser	6
Operating Your Water Dispenser	7
Steps To Replace Water Bottles	7
Electronic Controls	8
Care And Maintenance	9
Taking Dispenser Out Of Service	9
Troubleshooting Guide	10
Service For Your Water Dispenser	10
Your Avanti Products Warranty	11
Wiring Diagram	12
Instrucciones En Español	13-16

Important Safety Instructions



WARNING

To reduce the risk of fire, electrical shock, or injury when using your appliance, follow these basic precautions:

- ? Read all instructions before using the water dispenser.
- ? Never clean parts with flammable fluids. The fumes can create a fire hazard or explosion.
- ? Do not store or use gasoline or any other flammable vapors and liquids in the vicinity of this or any other water dispenser. The fumes can create a fire hazard or explosion.

-Save these instructions-

INSTALLATION GUIDELINES:

- ? Remove the exterior and interior packing.
- ? Place your appliance on a floor that is strong enough to support the dispenser when it is fully loaded. The unit is provided with four plastic feet, if it does not sit level on the floor, adjust the front feet to level the unit well to the floor.
- ? Locate the appliance away from direct sunlight and sources of heat (stove, heater, radiator, etc.). Direct sunlight may affect the acrylic coating and heat sources may increase electrical consumption. Extreme cold ambient temperatures may also cause the appliance not to perform properly.
- ? Allow 2 inches of space between the water dispenser and the wall, which allows for proper air circulation to cool the compressor.
- ? Plug the appliance into an exclusive properly installed-grounded wall outlet. Do not cut or remove the third (ground) prong from the power cord under any circumstances. Any questions concerning power and/or grounding should be directed toward a certified electrician or an authorized Avanti Products service center.
- ? This water dispenser is not recommended for outdoor use.
- ? Do not locate the dispenser in area where the temperature may fall below freezing (32° F).
- ? Keep area around dispenser free of dust and dirt.
- ? Keep the reserve supply of water bottles away from excessive heat and light.
- ? Never unplug the water cooler, except for maintenance.

OPERATION INSTRUCTIONS:

Before Using Your Water Dispenser

- ? Check to be sure the following parts are included:
 - ✍ Instruction manual
 - ✍ Cup dispenser
 - ✍ 2 extra cup dispenser cabinet plugs
 - ✍ 2 extra drain seals
 - ✍ Accessories order form
- ? Before connecting the appliance to the power source, let it stand upright for approximately 2 hours. This will reduce the possibility of a malfunction in the cooling system from handling during transportation.
- ? The water dispenser is pre-cleaned at the factory but the reservoir and water lines must be flushed with fresh water before use as follows:
 - ? Keep the unit unplugged.
 - ? Fill water tank with tap water full to capacity. Wait for 5 minutes until water settles.

- ? Slide child safety button then push the hot water faucet until water comes out, then stop.
- ? Plug the dispenser into the electrical outlet. We are ready to complete the first cycle. In order to do that, wait for the hot water to reach temperature in approximately 10 minutes, and then wait for the cold to reach temperature (another 40 minutes, approximately).
- ? Unplug the dispenser from the electrical outlet. Proceed to drain the water from the faucets one at a time until no more water remains.
(Note: To facilitate this operation, use a large container).
- ? Then, drain any water left in the tanks by opening the drain plug located on the back, until it drains completely.
- ? Proceed to close the drain cap.
- ? Remove the cap from the 5-gallon bottle and use a clean cloth to wipe off the neck of the bottle.
- ? Place the 5-gallon bottle of water on the water intake, allow water to stand for approximately one minute.
- ? Push water faucet buttons to insure water flows from both faucets.
- ? Plug dispenser back into the electrical outlet.
- ? Now you are ready to use your water dispenser.

NOTE: Your water dispenser has been cleaned and sanitized before leaving the factory, but in case a taste problem develops, place two tablespoons of baking soda and add tap water. Fill water tank again and repeat basic operations previously outlined, except turn hot water function "OFF" to avoid leaving residues in hot water tank.

ATTENTION:

If you do not plan to use the water heating function for more than three days, we recommend that you turn off the hot water function.

 **WARNING** 

IMPROPER USE OF THE GROUNDED PLUG CAN RESULT IN THE RISK OF ELECTRICAL SHOCK. IF THE POWER CORD IS DAMAGED, HAVE IT REPLACED BY AN AUTHORIZED AVANTI PRODUCTS SERVICE CENTER.

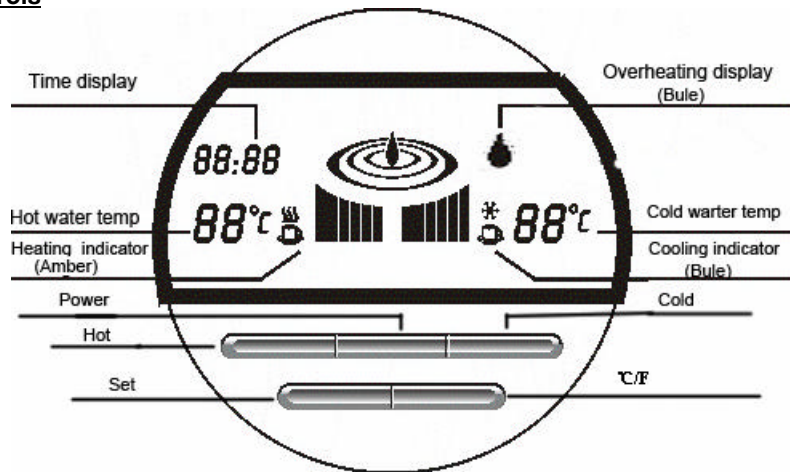
OPERATING YOUR WATER DISPENSER

Steps To Replace Water Bottles

- ✦ Remove cap.
- ✦ Use a clean cloth to wipe off neck of bottle.
- ✦ Carefully lift bottle (approx. 40 lbs.) using your legs and not your back. Do not place hands on opening of bottle while placing in reservoir.
- ✦ Insert the water bottle on the water intake over reservoir opening so it settles properly on it.
- ✦ Wipe off any water which may have splashed on dispenser top.
- ✦ When a new bottle is installed you must open the hot water faucet and remove no less than 4 full cups of water to insure the water flows properly and the water reservoir is at the proper level.

When a new bottle is installed you must open the hot water faucet and remove no less than 4 full cups of water to insure the water flows properly and the water reservoir is at the proper level.

Electronic Controls



NOTE: At any time during the program set up, if no activity is chosen the screen will reset after 10 seconds have passed.

POWER Function:

Press Power button once to power unit ON. The unit is in stand-by mode and the time will be displayed on the upper left corner of the display window. To switch OFF the power, just push the Power button again.

Clock Display

Press the SET button to adjust the time. Once pressed, the time will flash. Using the HOT (+) or COLD (-) buttons you can adjust the "hour" display AM / PM. Press the SET button again to adjust the minutes. Using the HOT (+) or COLD (-) buttons you can adjust the "minutes" display. Wait for the display to stop blinking (approximately 10 seconds).

TEMPERATURE DISPLAY

HOT Function.

Press the HOT button once to turn on the hot function.

Press the SET button (3 times) the amber numbers appear on the left side of the display panel. Using the HOT (+) or COLD (-) buttons you can adjust the temperature to the desired setting. Wait for the display to stop blinking (approximately 10 seconds).

COLD Function

Press the COLD button once to turn on the cold function.

Press the SET button (4 times) the blue numbers appear on the right side of the display panel. Using the HOT (+) or COLD (-) buttons you can adjust the temperature to the desired setting. Wait for the display to stop blinking (approximately 10 seconds).

***NOTE:** Once the selected temperature is reached, the readout will display it. Since it may take a while to reach the selected temperature, you will be able to see in numerical sequence (plus or minus) other temperature readings.*

***COLD Water** temperature range is from 41°F-59°F (5°C-15°C). The factory-preset setting is 6°C/45°F.*

***HOT Water** temperature range is from 122°F-198°F (50°C-92°C). The factory-preset setting is 91°C/196°F.*

C°/F° Function:

Press C°/F° button to convert temperature display from Celsius to Fahrenheit or visa versa.

Overheating Alarm Function:

If the unit is heated without water, then the overheating alarm signal will flash on the display screen. An “Er...” error message will be displayed on the screen. In such case the power supply of heating process is cut off. Check the water supply and reset the heating.

NOTE:
THE HOT WATER FAUCET HAS A CHILD-SAFETY GUARD ATTACHMENT.

To get hot water:

- ? Slide safety button on faucet up.
- ? Continue holding safety button while pushing in hot water faucet as long as water is being dispensed.
- ? Once released, the safety button will return to the original position.

Cup Dispenser

A cup dispenser may be installed by using the mounting holes (covered with plastic caps) located near the top of the right side panel of the cooler. The cup dispenser comes equipped with a mounting bracket and screws and may be ordered by completing the enclosed order form provided with your instruction manual.

CARE AND MAINTENANCE

- ? Wash the inside of the reservoir with a warm water and baking soda solution. The solution should be about 2 tablespoons of baking soda to a quart of water. (Turn off the hot water function).
- ? The drip tray and water faucets should be cleaned with mild detergent and warm water.
- ? At regular intervals or once a month inspect the coils located across the back of the dispenser. Vacuum accumulation of dust or clean it with a hard brush.

TAKING DISPENSER OUT OF SERVICE

- ? If the water dispenser will not be used for a long period of time, unplug the power cord from the wall outlet.
- ? Turn off the hot water.
- ? Drain the water through the faucets.
- ? Drain the water from the tanks by removing the plug from the back of the dispenser.

WARNING—THE WATER COMING OUT OF THE BACK MAY BE SCOLDING HOT.

- ✍ Unit should NOT be transported on the units side. Place it upright if possible and cover it with a blanket.

PROBLEMS WITH YOUR WATER DISPENSER?

You can solve many common water dispenser problems easily, saving you the cost of a possible service call. Try the suggestions outlined below to see if you can solve the problem before calling the servicer.

TROUBLESHOOTING GUIDE

PROBLEM	POSSIBLE CAUSE
Water dispenser does not operate.	Not plugged in. The circuit breaker tripped or a blown fuse.
Water cooler is not cold enough.	Check to be sure the cold feature is selected. The water dispenser does not have the correct clearances.
Water dispenser hot water is not hot enough.	Check to be sure the hot feature is selected.
Compressor turns on and off frequently.	The room temperature is hotter than normal. The temperature control is not set correctly. The water dispenser does not have the correct clearances.
Vibration. The water dispenser seems to make too much noise.	Check to assure that the water dispenser is level. The rattling noise may come from the flow of the refrigerant, which is normal. As each cycle ends, you may hear gurgling sounds caused by the flow of refrigerant in your water dispenser. Contraction and expansion of the inside walls may cause popping and crackling noises. The water dispenser is not level.

SERVICE FOR YOUR WATER DISPENSER

We are proud of our customer service organization and the network of professional service technicians that provide service on your Avanti appliances. With the purchase of your Avanti appliance, you can be confident that if you ever need additional information or assistance, the Avanti Products Customer Service Team will be here for you. Just call us toll-free.

AVANTI PRODUCTS CUSTOMER SERVICES

Product Information 800-323-5029	Whatever your questions are about our products, help is available.
Part Orders 800-220-5570	You may order parts and accessories that will be delivered directly to your home, by personal check, money order, Master Card, or Visa.
In-Home Repair Service 800-220-5570	An Avanti Products authorized service center will provide expert repair service, scheduled at a time that is convenient for you. Our trained servicers know your appliance inside and out.

YOUR Avanti Products WARRANTY

Staple your sales receipt here. Proof of original purchase date is needed to obtain service under warranty.

WHAT IS COVERED

LIMITED ONE-YEAR WARRANTY

For one year from the date of purchase by the original owner, Avanti Products will, at its option, repair or replace any part of the appliance which proves to be defective in material or workmanship under normal use. During this period Avanti Products will provide all parts and labor necessary to correct such defects free of charge, so long as the appliance has been installed and operated in accordance with the written instructions in this manual. In rental or commercial use, the warranty period is 90 days.

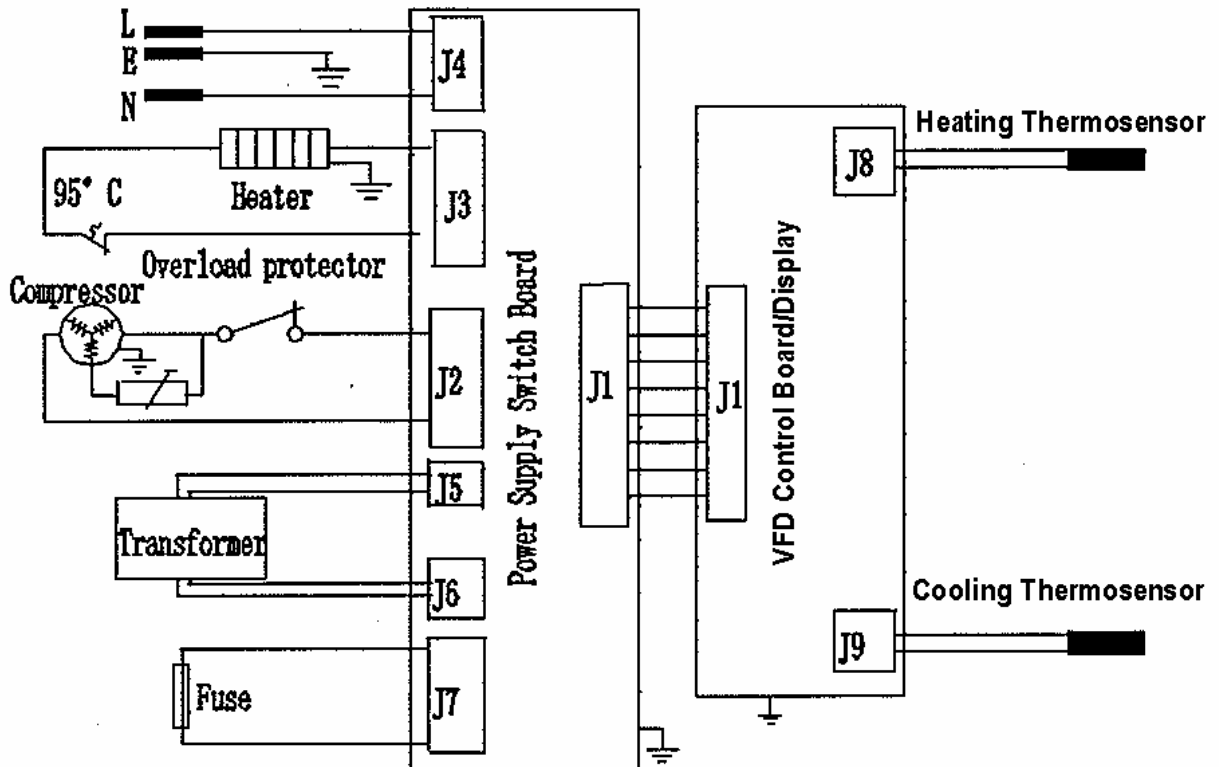
LIMITED SECOND THROUGH FIFTH YEAR WARRANTY

For the second through the fifth year from date of original purchase, Avanti Products will provide a replacement compressor free of charge due to a failure. You are responsible for the service labor and freight charges. In rental or commercial use, the limited compressor warranty is one year and nine months. Cost to move the appliance to the servicers' shop and back to the users' home, as may be required, are the users' responsibility.

WHAT IS NOT COVERED

- ? Incidental or consequential damages.
- ? Parts and labor costs for the following will not be considered as warranty:
 - ? Light bulbs and/or plastic housing.
 - ? Plastic cabinet liners.
 - ? Punctured evaporator that voids the warranty on the complete sealed system.
 - ? Replacement of house fuses or resetting circuit breakers.
- ? Repairs performed by unauthorized servicers.
- ? Surcharges including, but not limited to, any after hour, weekend, or holiday service calls, tolls, ferry trip charges, or mileage expense for service calls to remote areas, including the State of Alaska.
- ? Service calls that do not involve defects in material or workmanship such as customer education, or improper installation.
- ? Service calls that are related to external problems, such as abuse, misuse, inadequate electrical power, accidents, fire, floods, or acts of God.
- ? Failure of the product if it is used for other than its intended purpose.
- ? This warranty does not apply outside the continental U.S.A.

WIRING DIAGRAM



INSTRUCCIONES EN ESPAÑOL

AVISO:
ESTE GRIFO DE AGUA CALIENTE TIENE UN ADAPTADOR DE SEGURIDAD PARA NIÑOS.

PARA OBTENER AGUA CALIENTE:

- ? MUEVA EL BOTON DE SEGURIDAD (COLOR ROJO) HACIA ARRIBA.
- ? MANTENGA AGARRADO ESE BOTON ROJO MIENTRAS QUE APRIETA EL GRIFO.
- ? CUANDO SUELTE EL GRIFO, EL BOTON DE SEGURIDAD RETORNARA A LA POSICION ORIGINAL.

DIRECCIONES BASICAS DE OPERACION:

- ✂ COLOQUE EL ENFRIADOR DE PIE POR UN PERIODO DE DOS HORAS ANTES DE ENCHUFAR LA UNIDAD A LA PARED.
- ✂ COLOQUE EL ENFRIADOR EN UN AREA BIEN VENTILADA Y DEJE UN ESPACIO DE UN POCO MAS DE DOS PULGADAS ENTRE LA UNIDAD Y LA PARED.
- ✂ ESCOJA UN LUGAR CON PISO NIVELADO.
- ✂ NO COLOQUE EL ENFRIADOR DONDE LA TEMPERATURA AMBIENTAL PUEDA BAJAR DE 32°F (0°C).

ANTES DE ENCHUFARLO

AUNQUE EL ENFRIADOR SALE LIMPIO DE LA FABRICA, DEBE LIMPIAR Y ESTERILIZAR LOS CONDUCTOS DEL TANQUE Y LOS GRIFOS DE ACUERDO A LOS SIGUIENTES PASOS:

- ✂ LLENE EL TANQUE DE AGUA (HASTA EL TOPE) CON AGUA DE LA PILA.
- ✂ DEJE NIVELAR EL AGUA POR 5 MINUTOS.
- ✂ EMPUJE EL BOTON ROJO DE AGUA CALIENTE HASTA QUE SALGA AGUA Y SUELTELO INMEDIATAMENTE.
- ✂ ENCHUFE LA UNIDAD A LA PARED.
- ✂ ESPERE QUE EL AGUA CALIENTE LLEGUE A LA TEMPERATURA PROGRAMADA. (APROX. 10 MINUTOS- 3 SONIDOS).
- ✂ EMPUJE EL BOTON AZUL DE AGUA FRIA HASTA QUE SALGA AGUA Y SUELTELO INMEDIATAMENTE.
- ✂ ESPERE QUE EL AGUA FRIA LLEGUE A LA TEMPERATURA PROGRAMADA (APROX. 40 MINUTOS).
- ✂ DESCONECTE LA UNIDAD DE LA PARED.
- ✂ EMPIECE A DRENAR LOS GRIFOS UNO A LA VEZ HASTA QUE SALGA EL ULTIMO CHORRO DE AGUA.
- ✂ EN LA PARTE TRASERA DE LA UNIDAD ENCONTRARA UNA TAPA PLASTICA. GIRE HACIA LA IZQUIERDA LA TAPA HASTA QUE SALGA EL ULTIMO CHORRO.
- ✂ CUANDO NO SALGA MAS AGUA DE LA APERTURA, CIERRE LA TAPA PLASTICA.
- ✂ COLOQUE EL BOTELLON LLENO DE AGUA EN LA APERTURA DEL TANQUE.
- ✂ ENCHUFE LA UNIDAD. AHORA SU ENFRIADOR ESTA LISTO PARA SU USO.

CONTROLES ELECTRONICOS

FUNCION DE ENCENDIDO

PRESIONAR EL BOTON ON/OFF (ENCENDIDO/APAGADO) UNA VEZ PARA ENCENDER LA UNIDAD. LA UNIDAD ESTA EN STAND-BY (MODO DE ESPERA) Y LA HORA SE PUEDE VER EN

LA ESQUINA SUPERIOR IZQUIERDA DE LA PANTALLA. PARA APAGAR LA UNIDAD, SOLO PRESIONE EL BOTON ON/OFF DE NUEVO.

RELOJ

PRESIONE EL BOTON SET PARA AJUSTAR LA HORA. UNA VEZ PRESIONADO, LOS NUMEROS QUE INDICAN LA HORA EMPEZARAN A PARPADEAR. USANDO LOS BOTONES HOT (+) O COLD (-) PODRA ADJUSTAR LA HORA. PRESIONE EL BOTON SET DE NUEVO PARA AJUSTAR LOS MINUTOS. USANDO LOS BOTONES HOT (+) O COLD (-) PODRA AJUSTAR LOS MINUTOS.

TEMPERATURA

FUNCION HOT (CALIENTE)

PRESIONE EL BOTON MARCADO "HOT".

PRESIONE EL BOTON SET 3 VECES HASTA QUE LOS NUMEROS AMBAR APAREZCAN EN EL LADO IZQUIERDO DE LA PANTALLA. USANDO LOS BOTONES HOT (+) O COLD (-) PODRA AJUSTAR LA TEMPERATURA AL NIVEL DESEADO.

FUNCION COLD (FRIA)

PRESIONE EL BOTON MARCADO "COLD".

PRESIONE EL BOTON SET 4 VECES HASTA QUE LOS NUMEROS AZULES APAREZCAN EN EL LADO DERECHO DE LA PANTALLA. USANDO LOS BOTONES HOT (+) O COLD (-) PODRA AJUSTAR LA TEMPERATURA AL NIVEL DESEADO.

ADVERTENCIA:

UNA VEZ QUE PRESIONE EL BOTON SET, TIENE 10 SEGUNDOS PARA AJUSTAR LA HORA O LA TEMPERATURA, DE LO CONTRARIO LA PANTALLA SE BORRARA.

LA TEMPERATURA PARA EL AGUA FRIA (COLD) VA DESDE 39° F – 50° F (4° C – 10° C). LA TEMPERATURA DE FABRICA ES 6° C / 43° F.
LA TEMPERATURA PARA EL AGUA CALIENTE (HOT) VA DESDE 185° F – 194° F (85° C – 90° C). LA TEMPERATURA DE FABRICA ES 88° C / 190° F.

FUNCION C°/F°

PRESIONE EL BOTON C°/F° PARA MOSTRAR LA TEMPERATURA DE CELSIUS A FARENHEIT Y VICEVERSA.

PASOS RECOMENDADOS PARA CAMBIAR EL BOTELLON

- ✍ QUITA EL BOTELLON VACIO.
- ✍ LIMPIA EL CUELLO DEL BOTELLON NUEVO CON UN PAÑO LIMPIO.
- ✍ LEVANTA EL BOTELLON HACIENDO FUERZA CON LAS PIERNAS Y NO LA ESPALDA.
- ✍ TOMA EL BOTELLON POR LOS LADOS Y DIRIJA EL CUELLO DEL MISMO HACIA LA APERTURA DEL TANQUE.
- ✍ VOLTEA EL BOTELLON COMO SI FUERA A SOLTAR AGUA E INSERTE EL CUELLO DEL BOTELLON EN LA APERTURA DEL TANQUE HASTA QUE SE COLOQUE EN LA POSICION CORRECTA.

MANTENIMIENTO

- ✍ A INTERVALOS REGULARES (UNA VEZ AL MES), INSPECCIONE EL CONDENSADOR O REJILLA DE ALAMBRE LOCALIZADA EN LA PARTE TRASERA DE LA UNIDAD.
- ✍ ANTES DE EFECTUAR LA LIMPIEZA, DESENCHUFE EL ENFRIADOR. USE UNA ASPIRADORA O UN CEPILLO DURO PARA QUITAR EL POLVO.
- ✍ PARA LIMPIAR LAS PARTES DE PLASTICO SE REQUIERE JABON LIQUIDO Y AGUA TIBIA. NO USE LIMPIADORES ABRASIVOS EN LA SUPERFICIE SUPERIOR NI EN LA BANDEJA DE ESCURRIMIENTO.

SI NO VA A USAR EL ENFRIADOR POR UN TIEMPO PROLONGADO

- ✘ DEENCHUFE LA UNIDAD.
- ✘ QUITA EL BOTELLON DE AGUA.
- ✘ DRENE EL AGUA ABRIENDO LOS GRIFOS.
- ✘ DRENE LA APERTURA EN LA PARTE TRASERA QUITANDO EL TAPON.
- ✘ EL ENFRIADOR DEBE TRANSPORTARSE PARADO Y CUBIERTO CON UNA FRAZADA PARA EVITAR QUE SE RAYE.

CENTRO DE SERVICIOS

LA MAYORIA DE LOS PROBLEMAS SE RESUELVEN CON UNA SIMPLE LLAMADA TELEFONICA A NUESTRO NUMERO SIN CARGO.

1-800-220-5570

ANTES DE DEVOLVER EL PRODUCTO O PARA OBTENER LA DIRECCION Y NUMERO DE TELEFONO DEL CENTRO DE SERVICIO MAS CERCANO LLAME AL SIGUIENTE NUMERO.

1-800-220-5570

POSIBLES PROBLEMAS

CAUSA

DERRAME DE AGUA POR FUERA DEL ENFRIADOR EL AGUA NO ESTA SUFICIENTEMENTE FRIA.	LA BOTELLA ESTA PERFORADA - REEMPLACELA SU TEMPERATURA DEBERIA SER DE 5? A 7? C CON UNA TEMPERATURA AMBIENTE DE 20? C. SI NO ES ASI, LLAME AL CENTRO DE SERVICIO, EL TERMOSTATO PODRIA ESTAR DEFECTUOSO.
EL AGUA NO ESTA SUFICIENTE CALIENTE	SU TEMPERATURA DEBERIA SER DE 80? A 90? C CON UNA TEMPERATURA AMBIENTE DE 20? C. SI NO ES ASI, LLAME AL CENTRO DE SERVICIO, EL TERMOSTATO PODRIA ESTAR DEFECTUOSO.
EL ENFRIADOR NO ENFRIA O CALIENTA EL AGUA	VERIFIQUE LOS CIRCUITOS, FUSIBLES O DISYUNTORES.

PRINTED IN CHINA

Free Manuals Download Website

<http://myh66.com>

<http://usermanuals.us>

<http://www.somanuals.com>

<http://www.4manuals.cc>

<http://www.manual-lib.com>

<http://www.404manual.com>

<http://www.luxmanual.com>

<http://aubethermostatmanual.com>

Golf course search by state

<http://golfingnear.com>

Email search by domain

<http://emailbydomain.com>

Auto manuals search

<http://auto.somanuals.com>

TV manuals search

<http://tv.somanuals.com>