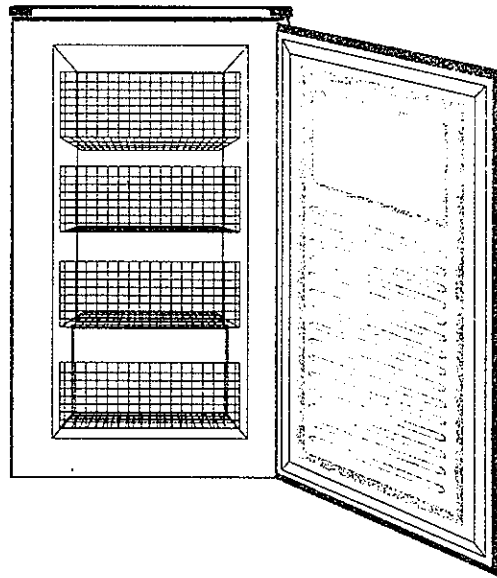


Avanti®

FREEZER INSTRUCTION MANUAL

Model Numbers: 398VFW



CAUTION:

BEFORE USE, PLEASE READ AND FOLLOW ALL SAFETY RULES AND OPERATING INSTRUCTIONS.

Avanti Products, A Division of The Mackle Co., Inc.
P.O. Box 520604-Miami, Florida 33152
www.avantiproducts.com

Warranty Information

Thank you for purchasing this fine Avanti product. Please fill out this card and return it within 100 days of purchase and receive these important benefits:

- **Confirm your warranty:**
Your prompt product registration confirms your right to the protection available under the terms and conditions of your Avanti warranty.
- **Protect your product:**
We will keep the model number and date of purchase of your new Avanti product on file to help you refer to this information in the event of an insurance claim such as fire or theft.
- **Promote better products:**
We value your input. Your response will help us develop products designed to best meet your future needs.

----- (detach here) -----

Avanti Registration Card

<hr/> Name <hr/>	<hr/> Model # Serial # <hr/>
<hr/> Address <hr/>	<hr/> Date Purchased Store/Dealer Name <hr/>
<hr/> City State Zip <hr/>	<hr/> Occupation <hr/>
<hr/> Area Code Phone Number <hr/>	<hr/> As Your Primary Residence, Do You: <hr/>
<hr/> Did You Purchase An Additional <hr/>	<input type="checkbox"/> Own <input type="checkbox"/> Rent
<hr/> Warranty: <hr/>	<hr/> Your Age: <hr/>
<input type="checkbox"/> Extended <input type="checkbox"/> Food Loss <input type="checkbox"/> None	<input type="checkbox"/> under 18 <input type="checkbox"/> 18-25 <input type="checkbox"/> 26-30
<hr/> Reason For Choosing This Avanti <hr/>	<input type="checkbox"/> 31-35 <input type="checkbox"/> 36-50 <input type="checkbox"/> over 50
<hr/> Product: <hr/>	<hr/> Marital Status: <hr/>
Please indicate the most important factors that influenced your decision to purchase this product.	<input type="checkbox"/> Married <input type="checkbox"/> Single
<input type="checkbox"/> Price	<hr/> Is This Product Used In The: <hr/>
<input type="checkbox"/> Product Features	<input type="checkbox"/> Home <input type="checkbox"/> Business
<input type="checkbox"/> Avanti Reputation	<hr/> How Did You Learn About This <hr/>
<input type="checkbox"/> Product Quality	<hr/> Product: <hr/>
<input type="checkbox"/> Salesperson Recommendation	<input type="checkbox"/> Advertising <input type="checkbox"/> Product Features
<input type="checkbox"/> Friend/Relative Recommendation	<input type="checkbox"/> In Store Demo <input type="checkbox"/> Personal Demo
<input type="checkbox"/> Warranty	<input type="checkbox"/> Other _____
<input type="checkbox"/> Other _____	<hr/> Comments _____

HELP US HELP YOU...

Read this guide carefully.

It is intended to help you operate and maintain your new freezer properly.

Keep it handy to answer your questions. If you don't understand something or you need more help, please call:

Avanti Customer Service
800-220-5570

Keep proof of original purchase date (such as your sales slip) with this guide to establish the warranty period.

CAUTION:

**THIS FREEZER
IS NOT DESIGNED FOR
THE STORAGE OF
MEDICINE OR OTHER
MEDICAL PRODUCTS.**

Write down the model and serial numbers.

You'll find them on a plate located on the rear wall outside the freezer.

Please write these numbers here:

Date of Purchase

Model Number

Serial Number

Use these numbers in any correspondence or service calls concerning your freezer.

If you received a damaged freezer, immediately contact the dealer (or builder) that sold you the freezer.

Save time and money. Before you call for service, check the Troubleshooting Guide. It lists causes of minor operating problems that you can correct yourself.

IF YOU NEED SERVICE

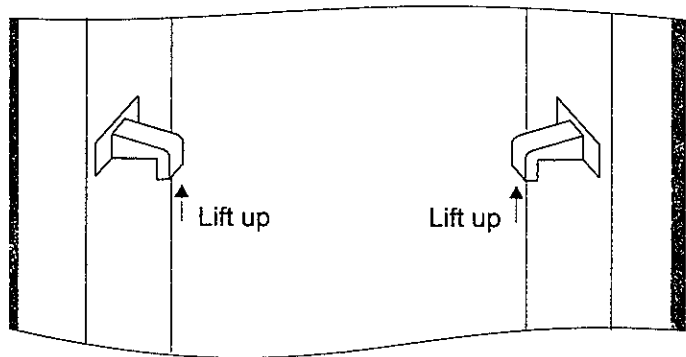
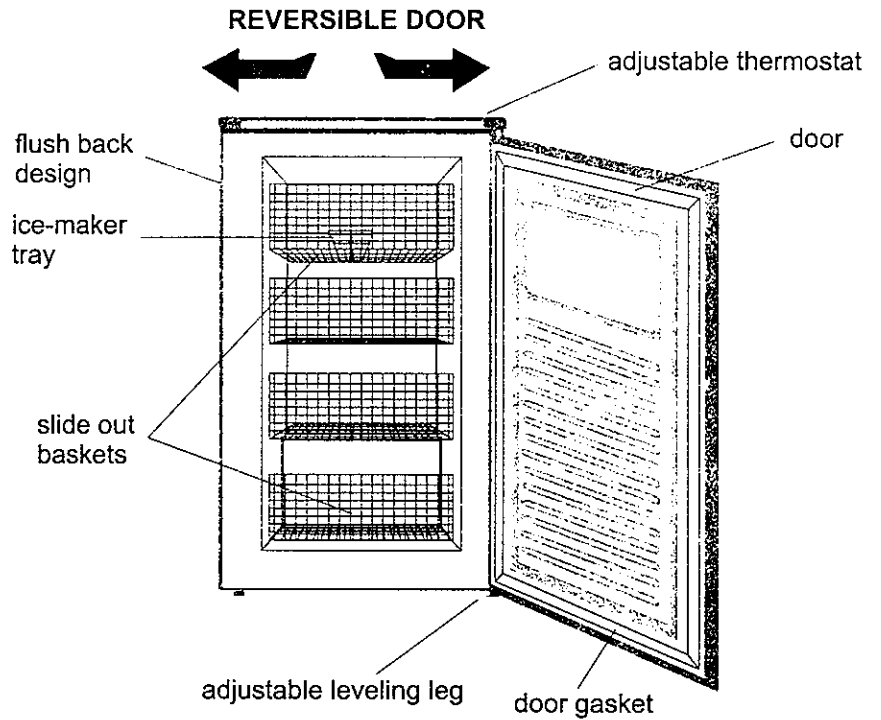
We're proud of our service and want you to be pleased. If for some reason you are not happy with the service you receive, here are some steps to follow for further help.

FIRST, contact the people who serviced your freezer. Explain why you are not pleased. In most cases, this will solve the problem.

NEXT, if you are still not pleased, write all the details, including your telephone number, and send to:

Customer Service
Avanti Products
10880 NW 30 Street
Miami, FL 33172

PARTS AND FEATURES




SLIDE OUT BASKET

In order to remove baskets, please notice there are clips placed against the side walls that will prevent the baskets from sliding out(see sketch). Make sure to lift basket slightly once it reaches stop-clip area, then proceed to remove drawer out of the unit.

Table of Contents

Warranty Information and Registration Card-----	1
Help Us Help You-----	2
Parts and Features-----	3
Important Safety Instructions-----	5
Installation Instructions-----	5
Before Using Your Freezer-----	5
Installation of Your Freezer-----	5
Electrical Connection-----	6
Reversing the Door Swing of Your freezer-----	6
Operating Your Freezer-----	7
Temperature Control-----	7
Defrosting Your Freezer-----	7
Using Your Ice Cube Tray-----	8
The Freezer Compartment-----	8
Care and Maintenance-----	8
Cleaning Your Freezer-----	8
Maintenance of Your Freezer-----	9
Vacation Time-----	9
Moving Your Freezer-----	9
Energy Saving Tips -----	9
Troubleshooting Guide-----	10
Service For Your Freezer-----	11
Your Avanti Products Warranty-----	12
Parts Breakdown-----	13
Parts List-----	14
Wiring Diagrams-----	15

Important Safety Instructions

 WARNING ⚡	To reduce the risk of fire, electric shock, or injury when using your freezer, follow these basic precautions:
<ul style="list-style-type: none">• Read all instructions before using the appliance.• DANGER or WARNING: Risk of child entrapment.• Child entrapment and suffocation are not problems of the past. Junked or abandoned appliances are still dangerous... even if they will "just sit in the garage a few days."• Before you throw away your old freezer: Take off the door. Leave the shelves in a place so that children may not easily climb inside.• Never allow children to operate, play with, or crawl inside the appliance.• Never clean appliance parts with flammable fluids. The fumes can create a fire hazard or explosion.• Do not store or use gasoline or any other flammable vapors and liquids in the vicinity of this or any other appliance. The fumes can create a fire hazard or explosion. <p style="text-align: center;">-Save these instructions-</p>	

Installation Instructions

➤ Before Using Your Freezer

- Remove the exterior and interior packing.
- Check to be sure you have all of the following parts:
 - 4 Baskets
 - 1 Instruction Manual
- Before connecting the freezer to the power source, let it stand upright for approximately two hours. This will reduce the possibility of a malfunction in the cooling system from handling during transportation.
- Cleaning the interior surface with lukewarm water using a soft cloth.

➤ Installation of Your Freezer

- Place your freezer on a floor that is strong enough to support the freezer when it is fully loaded. To level your freezer, adjust the legs at the front of the freezer.
- Allow 5 inches of space between the back and sides of the freezer, which allows the proper air circulation to cool the compressor.
- Locate the freezer away from direct sunlight and sources of heat (stove, heater, radiator, etc.). Direct sunlight may affect the acrylic coating and heat sources may increase electrical consumption. Extreme cold ambient temperatures may also cause the freezer not to perform properly.
- Avoid locating the freezer in moist areas. Too much moisture in the air will cause frost to form quickly on the evaporator requiring more frequent defrosting of the freezer.
- Plug the freezer into an exclusive properly installed-grounded wall outlet. Do not under any circumstances cut or remove the third (ground) prong from the power cord. Any questions concerning power and or grounding should be directed toward a certified electrician or an authorized Avanti Products service center.

➤ Electrical Connection

⚡ Warning ⚡

Improper use of the grounded plug can result in the risk of electrical shock. If the power cord is damaged, have it replaced by an authorized Avanti Products service center.

This freezer should be properly grounded for your safety. The power cord of this freezer is equipped with a three-prong plug which mates with standard three prong wall outlets to minimize the possibility of electrical shock.

Do not under any circumstances cut or remove the third ground prong from the power cord supplied

Use of the extension cord is not recommended.

This freezer requires a standard 115 volt, 60Hz electrical outlet with three-prong ground. The cord should be secured behind the freezer and not left exposed or dangling to prevent accidental injury.

➤ Reversing the Door Swing of Your Freezer

This freezer has the capability of either opening the door from the left or right side. The unit is delivered to you with the door opening from the left side. Should you desire to reverse the opening direction, please follow these instructions.

NOTE:

All parts removed must be saved to do the reinstallation of the door.

Reversal and Installation of the Freezer Door

- Remove the two screws(1)that hold the lower hinge(2)(right side)to the frame. Also, remove the screw-type leveling front leg(3).
- Remove the left front leg(4) and transfer it to the right side.
- Lift the door and place it on a padded surface to prevent scratching it. Make sure to remove the spring(5) located inside the upper right hole of the door and the upper right side pin(6).
- Remove the plug button(7)from the upper left hole of the door and transfer it to the uncovered hole at the right side. Be sure to press the button firmly into the hole.
- Insert the upper pin(6) previously removed from the right side (step 3) and transfer it to the other hole at the left side of the top frame.
- Insert the spring(5)previously removed(step 3)inside the upper left side hole of the door.
- Set the door in its place making sure the pin(6)enters the bushing at the lower upper frame section(hole).
- While holding the door in the closed position, secure the lower left hinge(2)previously removed(step 1).Before placing this lower hinge, remove the upper bolt-pin(8) and reverse the direction of the hinge.
- Insert the bolt-pin(8)and do not tighten until the top of the door is leveled with the counter top.
- Insert the two screws(1)previously removed(step 1)and tighten them.

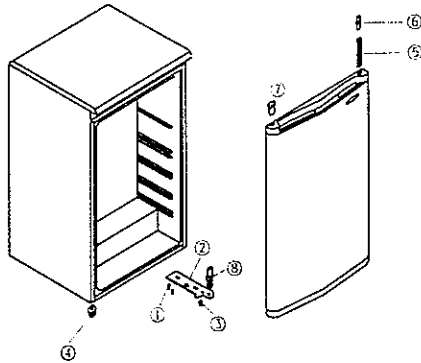


FIGURE 1(Position prior to door reversal)

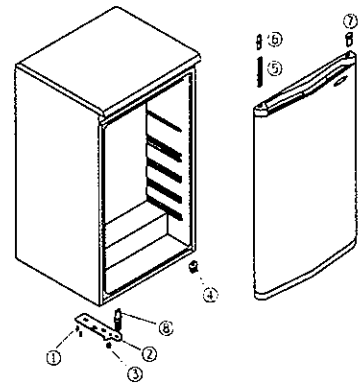


FIGURE 2(Position after door reversal)

- | | |
|-----------------------|-----------------------------------|
| ① Door Hinge Screws | ⑤ Door Frame Spring |
| ② Lower Door Hinge | ⑥ Door Frame Pin |
| ③ Front Leveling Legs | ⑦ Hinge Plug(Door Frame)Left Side |
| ④ Left Front Leg | ⑧ Door Hinge Bolt |

OPERATING YOUR FREEZER

➤ Temperature Control

- The temperature control is located on the upper right hand side at the rear of the cabinet.
- The first time you turn the unit on set the temperature control to the "MAX" position
- The range of the temperature control is from position "MIN" the warmest to "MAX" the coldest. After 24 to 48 hours, adjust the temperature control to the setting that best suits your needs. The setting of "NORMAL" should be correct for home or office freezer use.
- To turn the freezer off, turn the temperature control to "OFF"

NOTE:

- ♦ Turning the temperature control to "OFF" position stops the cooling cycle but does not shut off the power to the freezer.
- ♦ If the unit is unplugged, power lost, or turned off; you must wait 3 to 5 minutes before restarting the unit. If you attempt to restart before this time delay, the freezer will not start.

➤ Defrosting Your Freezer

- When? For the most efficient operation and minimum energy consumption, defrost the freezer when the frost on the freezer walls is excessive or 1/4 inch thick.
- How?

CAUTION

Do not use boiling water because it may damage the plastic parts. In addition, never use a sharp or metallic instrument to remove frost as it may damage the cooling coils and will void the warranty. We recommend using a plastic scraper.

- Remove the frozen food from the freezer and place it in a cooler to protect the food.
- During the defrost cycle, the ice melts into the water collection tray. The water must be removed from the water collection tray.
- Dry the water collection tray and evaporators.

➤ **Using Your Ice Cube Tray**

- The ice cube tray need to be set on the floor of the freezer to freeze properly.
- To eject the ice cubes from the tray, place over the ice bucket and twist slightly.

➤ **The Freezer Compartment**

- This compartment is designed for the long storage of frozen foods. Storage time is up to three months.
- The storage life of frozen foods varies and the recommended storage time should not be exceeded. The instructions regarding the care of frozen foods should be followed when defrosting the freezer.
- Pre-packed commercially frozen food should be stored in accordance with the frozen foods manufacturer's instructions for a three star frozen food storage compartment or home freezer.
- Place frozen food into the freezer as quickly as possible after purchase. If there are instructions on the packet, carefully follow the these instructions regarding storage times.
- The freezer door is susceptible to breaking due to excessive ice build up. Be sure to defrost when the ice reaches 1/4 to 1/2 inch thick.

CARE AND MAINTENANCE

➤ **Cleaning Your Freezer**

- Turn the temperature control to "OFF", unplug the freezer, and remove the food and the baskets.
- Wash the inside with a warm water and baking soda solution. The solution should be about 2 tablespoons of baking soda to a quart of water.
- Wash the baskets with a mild detergent solution.
- The outside of the freezer should be cleaned with mild detergent and warm water.

➤ **Maintenance of Your Freezer**

CAUTION

Failure to unplug the freezer could result in electrical shock or personal injury.

• **Power failure**

Most power failures are corrected a few hours and should not affect the temperature of your freezer if you minimize the number of times the door is opened. If the power is going to be off for a long period of time, you need to take proper steps to protect your food.

➤ **Vacation Time**

During long absences, remove all the food; unplug your freezer, clean your freezer, and leave the door open slightly to avoid possible formation of condensation, mold, or odors.

➤ **Moving Your Freezer**

- Remove all the food.
- Securely tape down all loose items inside your freezer.
- Turn the leveling screws up to the base to avoid damage.
- Tape the door shut.
- Be sure the freezer stays in the upright position during transportation.

➤ **Energy Saving Tips**

- The freezer should be located in the coolest area of the room away from heat producing freezers or heating ducts, and out of the direct sunlight.
- Let hot foods cool to room temperature before placing in the freezer. Overloading the freezer forces the compressor to run longer. Foods that freeze too slowly may lose quality, or spoil.
- Be sure to wrap foods properly, and wipe containers dry before placing them in the freezer. This cuts down on frost build-up inside the freezer.
- Freezer storage basket should not be lined with aluminum foil, wax paper, or paper toweling. Liners interfere with cold air circulation, making the freezer less efficient.
- Organize and label food to reduce door openings and extended searches. Remove as many items as needed at one time, and close the door as soon as possible.

PROBLEMS WITH YOUR FREEZER?

You can solve many common freezer problems easily, saving you the cost of a possible service call. Try the suggestions below to see if you can solve the problem before calling the servicer.

TROUBLESHOOTING GUIDE

PROBLEM	POSSIBLE CAUSE
Freezer does not operate.	Not plugged in. The circuit breaker tripped or blown fuse. The freezer temperature control is set at "OFF".
Compressor turns on and off frequently.	The room temperature is hotter than normal A large amount of food has been added to the freezer. The door is opened too often. The door is not closed completely. The temperature control is not set correctly. The door gasket does not seal properly. The freezer does not have the correct clearances.
Vibrations.	Check to assure that the freezer is level.
The freezer seems to make too much noise.	The rattling noise may come from the flow of the refrigerant, which is normal. As each cycle ends, you may hear gurgling sounds caused by the flow of refrigerant in your freezer. Contraction and expansion of the inside walls may cause popping and crackling noises. The freezer is not level.
The door will not close properly.	The freezer is not level. The door is reversed and not properly installed. The gasket is dirty. The baskets are out of position.

SERVICE FOR YOUR FREEZER

We are proud of our customer service organization and the network of professional service technicians that provide service on your Avanti freezers. With the purchase of your Avanti freezer, you can have the confidence that if you ever need additional information or assistance, the Avanti Products Customer Service team will be here for you. Just call us toll-free.

AVANTI PRODUCTS CUSTOMER SERVICES

Product Information 800-323-5029	Whatever your questions are about our products, help is available.
Part Orders 800-220-5570	You may order parts and accessories that will be delivered directly to your home. You may order these items by personal check, money order, Master Card, or Visa.
In-Home Repair Service 800-220-5570	An Avanti Products authorized service center will provide expert repair service, scheduled at a time that is convenient for you. Our trained servicers know your freezer inside and out.

**YOUR Avanti Products
WARRANTY**

**Staple your sales receipt here.
Proof of original purchase date
is needed to obtain service
under warranty.**

**WHAT IS COVERED LIMITED
ONE-YEAR WARRANTY**

For one year from the date of purchase by the original owner, Avanti Products will, at its option, repair or replace any part of the freezer which proves to be defective in material or workmanship under normal use. During this period Avanti Products will provide all parts and labor necessary to correct such defects free of charge, so long as the freezer has been installed and operated in accordance with the written instructions in this manual. In rental or commercial use, the warranty period is 90 days. All Avanti Appliances of 3.5 cubic feet capacity or less must be brought/sent to the appliance service shop for repair.

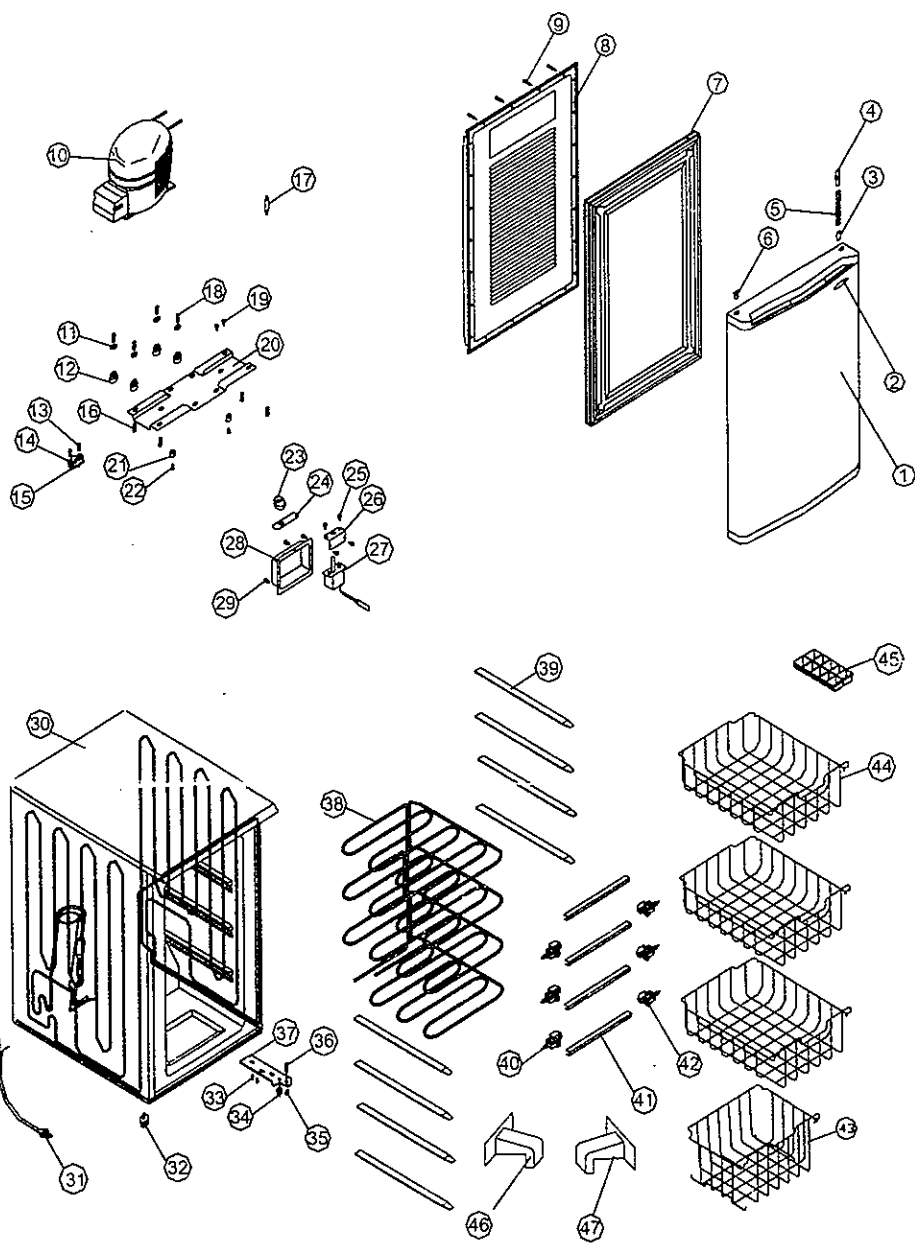
**LIMITED SECOND THROUGH
FIFTH YEAR WARRANTY**

For the second through the fifth year from date of original purchase, Avanti Products will provide a replacement compressor free of charge due to a failure. You are responsible for the service labor and freight charges. In rental or commercial use, the limited compressor warranty is one year and nine months. Cost to move the freezer to the servicer's shop and back to the user's home, as may be required, are the user's responsibility.

WHAT IS NOT COVERED

- Content losses of food due to spoilage.
- Incidental or consequential damages.
- Parts and labor costs for the following will not be considered as warranty.
- Evaporator doors, door springs, and/or frames.
- Inner door panels, door shelves, door rails, and/or door supports.
- Chest freezer lid liners.
- Light bulbs and/or plastic housing.
- Plastic cabinet liners.
- Punctured evaporator that voids the warranty on the complete sealed system.
- Repairs performed by unauthorized services.
- Service calls that do not involve defects in material or workmanship such as customer education, door reversal, or proper installation.
- Service calls that are related to external problems, such as abuse, misuse, inadequate electrical power, accidents, fire, floods, or acts of God.
- Replacement of house fuses or resetting circuit breakers.
- Failure of the product if it is used for other than its intended purpose.
- This warranty does not apply outside the continental USA.

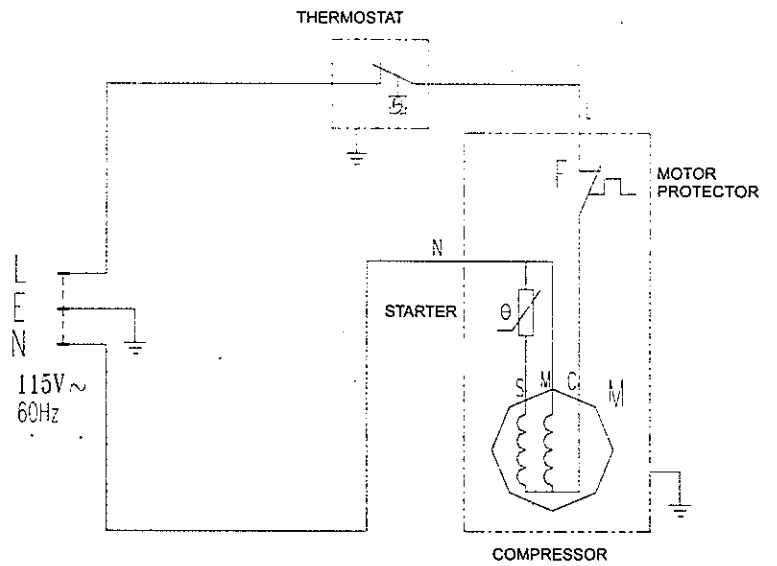
PARTS BREAKDOWN



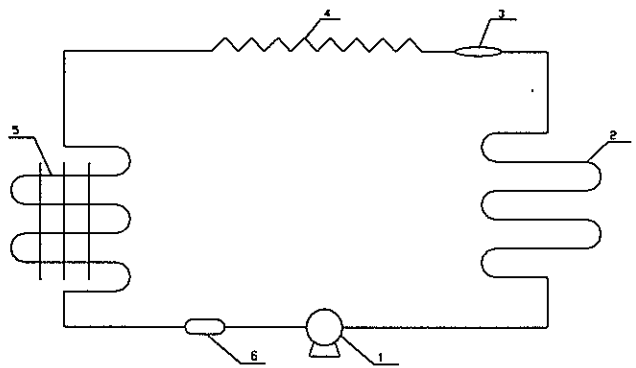
Parts List

NO.	DESCRIPTION
1	Door
2	Door Decal
3	Adjustable Casement
4	Door Upper Axis
5	Spring
6	Axis Cover
7	Door Gasket
8	Door Liner
9	Self Tapping Screw 1
10	Compressor
11	Compressor Bolt
12	Compressor Bolt Washer
13	Bolt Assembly
14	Power Supply Wire Upper Clamp
15	Power supply Wire Lower Clamp
16	Compressor Base Bolt
17	Drier
18	Base Foot Bolt
19	Earth Plate
20	Compressor Base
21	Base Foot
22	Self Tapping Screw 3
23	Control Knob
24	Display Plate
25	Self Tapping Screw 4
26	Thermostat Supporter
27	Thermostat
28	Thermostat Box
29	Self Tapping Screw 5
30	Cabinet
31	Power Supply Cord
32	Foot
33	Bolt
34	Adjustable Foot
35	Screw Cap
36	Lower Door Axis
37	Lower Hinge Door
38	Evaporator Assembly
39	Shelf Slide Plate
40	Left Shelf Supporter
41	Decorative Bar
42	Right Shelf Supporter
43	Storage A
44	Storage B
45	Ice-maker Tray
46	Stop-clip A
47	Stop-clip B

398VFW WIRING DIAGRAM



COOLING SYSTEM



- 1. Compressor
- 2. Condenser
- 3. Filter and Drier
- 4. Capillary
- 5. Evaporator
- 6. Accumulator

PRINTED IN CHINA

Free Manuals Download Website

<http://myh66.com>

<http://usermanuals.us>

<http://www.somanuals.com>

<http://www.4manuals.cc>

<http://www.manual-lib.com>

<http://www.404manual.com>

<http://www.luxmanual.com>

<http://aubethermostatmanual.com>

Golf course search by state

<http://golfingnear.com>

Email search by domain

<http://emailbydomain.com>

Auto manuals search

<http://auto.somanuals.com>

TV manuals search

<http://tv.somanuals.com>