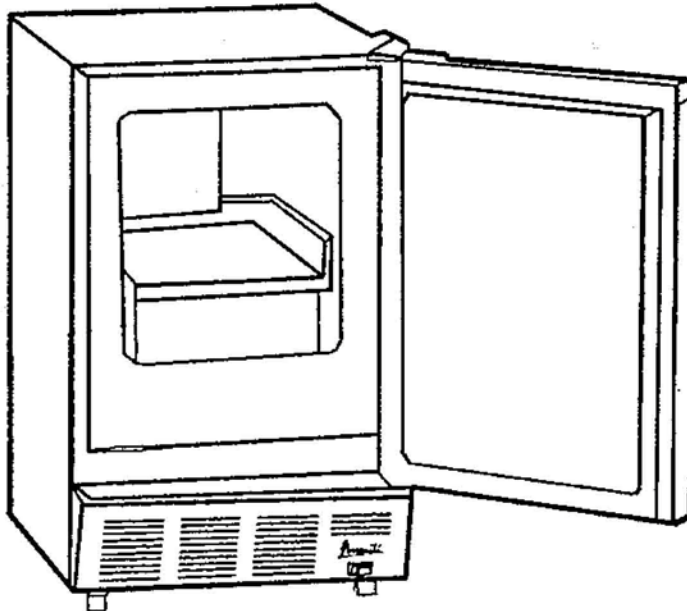




**ICE MAKER/MAQUINA DE HACER HIELO
INSTRUCTION MANUAL/MANUAL DE INSTRUCCIONES**

Model Number / No. de Modelo: IM15SS



BEFORE USE, PLEASE READ AND FOLLOW ALL SAFETY RULES AND OPERATING INSTRUCTIONS.

La sección en español empieza en la página 15.

Avanti has a policy of continuous improvement on its products and reserves the right to change materials and specifications without notice.

**Avanti Products, A Division of The Mackle Co., Inc.
P.O. Box 520604 - Miami, Florida 33152
www.avantiproductions.com**

Table of contents

ICE-MAKER SAFETY	3
IMPORTANT SAFEGUIDES	4
HELP US HELP YOU	5
PARTS AND FEATURES	6
IMPORTANT SAFETY INSTRUCTIONS	7
INSTALLATION INSTRUCTIONS	7
BEFORE USING YOUR APPLIANCE	7
INSTALLATION OF YOUR APPLIANCE	7
ELECTRICAL CONNECTION	8
REVERSING THE DOOR SWING OF YOUR APPLIANCE	8
OPERATING YOUR APPLIANCE	9
INITIAL START-UP ICE MAKING OPERATION	9
INSTALLING THE SAFETY LATCH	9
CARE AND MAINTENANCE	10
CLEANING YOUR APPLIANCE	10
POWER FAILURE	10
VACATION TIME	10
MOVING YOUR APPLIANCE	10
ENERGY SAVING TIPS	10
SAFETY DOOR LATCH	10
TROUBLESHOOTING GUIDE	11
SERVICE FOR YOUR APPLIANCE	12
WIRING DIAGRAM	12
YOUR AVANTI PRODUCTS WARRANTY	13
INSTRUCCIONES EN ESPAÑOL	15 – 18
REGISTRATION INFORMATION	19

ICE MAKER SAFETY

YOUR SAFETY AND THE SAFETY OF OTHERS ARE VERY IMPORTANT.

We have provided many important safety messages in this manual for your appliance. Always read and obey all safety messages.



This is the safety alert symbol. This symbol alerts you to Potential hazards that can kill or injure you and others. All safety messages will follow the safety alert symbol And either the words "danger", "warning" or "caution".



Danger means that failure to heed this safety statement may result in severe personal injury or death.



Warning means that failure to heed this safety statement may result in extensive product damage, serious personal injury, or death.



Caution means that failure to heed this safety statement may result in minor or moderate personal injury, property or equipment damage.

All safety messages will alert you to know what potential hazard is, tell you how to reduce the chance of injury, and let you know what can happen if the instructions are not followed.

IMPORTANT SAFEGUIDES



Before the appliance is used, it must be properly positioned and installed as described in this manual, so read the manual carefully. To reduce the risk of fire, electrical shock or injury when using the appliance, follow basic precaution, Including the following:

DANGER

- Plug into a grounded 3-prong outlet, do not remove grounding prong, do not use an adapter, and do not use an extension cord.
- It is recommended that a separate circuit, serving only your appliance be provided. Use receptacles that cannot be turned off by a switch or pull chain.
- Never clean appliance parts with flammable fluids. These fumes can create a fire hazard or explosion. And do not store or use gasoline or other flammable vapors and liquids in the vicinity of this or any other appliance. The fumes can create a fire hazard or explosion.
- Before proceeding with cleaning and maintenance operations, make sure the power line of the unit is disconnected.
- Do not connect or disconnect the electric plug when your hands are wet.
- Unplug the appliance or disconnect power before cleaning or servicing. Failure to do so can result in electrical shock or death.
- Do not attempt to repair or replace any part of your appliance unless it is specifically recommended in this manual. All other servicing should be referred to a qualified technician.

WARNING

FOLLOW WARNING CALL OUTS BELOW ONLY WHEN APPLICABLE TO YOUR MODEL

- Use two or more people to move and install appliance. Failure to do so can result in back or other injury.
- To ensure proper ventilation for your appliance, the front of the unit must be completely unobstructed. Choose a well-ventilated area with temperatures above 60°F (16°C) and below 90°F (32°C). This unit must be installed in an area protected from the element, such as wind, rain, water spray or drips.
- The appliance should not be located next to ovens, grills or other sources of high heat.
- The appliance must be installed with all electrical, water and drain connections in accordance with state and local codes. A standard electrical supply (115 v ac only, 60 hz), properly grounded in accordance with the national electrical code and local codes and ordinances is required.
- Do not kink or pinch the power supply cord of appliance.
- The fuse (or circuit breaker) size should be 15 amperes.
- It is important for the appliance to be leveled in order to work properly. You may need to make several adjustments to level it.
- All installation must be in accordance with local plumbing code requirements.
- Make certain that the pipes are not pinched or kinked or damaged during installations.
- Check for leaks after connection.
- Never allow children to operate, play with or crawl inside the appliance.
- If you use the drainage container, you must set the drain select switch to off or the water can overflow from the drainage container
- Although the unit has been tested at the factory, due to long-term transit and storage, the first batch of cubes must be discarded.
- Do not use solvent-based cleaning agents or abrasives on the interior. These cleaners may damage or discolor the interior.
- Do not use this apparatus for other than its intended purpose.

Help us help you...

Read this guide carefully.

It is intended to help you operate and maintain your new ice maker properly.

Keep it handy to answer your questions. If you don't understand something or you need more help, please call:

**Avanti customer service
800-220-5570**

Keep proof of original purchase date (such as your sales slip) with this guide to establish the warranty period.

CAUTION:

**THIS ICE MAKER IS NOT
DESIGNED FOR THE STORAGE
OF MEDICINE OR OTHER
MEDICAL PRODUCTS.**

Write down the model and serial numbers.

You'll find them on a plate located on the rear wall of the ice maker.

Please write these numbers here:

Date of purchase

Model number

Serial number

Use these numbers in any correspondence or service calls concerning your ice maker.

If you received a damaged ice maker, immediately contact the dealer (or builder) that sold you the ice maker.

Save time and money. Before you call for service, check the troubleshooting guide. It lists causes of minor operating problems that you can correct yourself.

If you need service

We're proud of our service and want you to be pleased. If for some reason you are not happy with the service you receive, here are some steps to follow for further assistance.

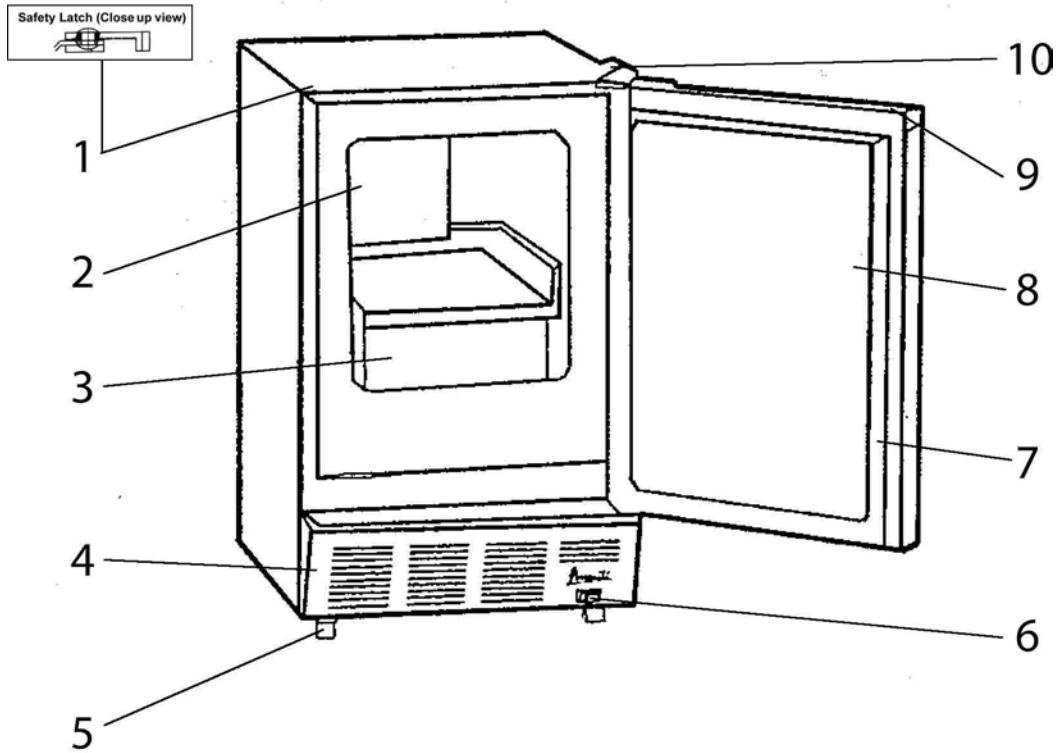
First, contact the people who serviced your ice maker. Explain why you are not pleased. In most cases, this will solve the problem.

Next, if you are still not pleased, write all the

details, including your telephone number, and send it to:

**Customer Service
Avanti Products
10880 NW 30th Street
Miami, FL 33172 USA**

Parts and Features



1	Safety Latch
2	Ice-maker mechanism
3	Ice bucket
4	Stainless steel grille
5	Leveling leg
6	ON / OFF switch
7	Door gasket
8	Stainless steel door
9	Integrated door handle
10	Upper door hinge

Important safety instructions

⚡WARNING⚡	To reduce the risk of fire, electrical shock, or injury when using your ice maker, follow these basic precautions:
<ul style="list-style-type: none">• Read all instructions before using the ice maker.• Danger or warning: risk of child entrapment. child entrapment and suffocation are not problems of the past. Junked or abandoned appliances are still dangerous. . . Even if they will “just sit in the garage a few days.”• Before you throw away your ice maker: take off the door. Leave the shelves in place so that children may not easily climb inside.• Never allow children to operate, play with, or crawl inside the appliance.• Never clean ice maker parts with flammable fluids. The fumes can create a fire hazard or explosion.• Do not store or use gasoline or any other flammable vapors and liquids in the vicinity of this or any other ice maker. The fumes can create a fire hazard or explosion. <p style="text-align: center;">-save these instructions-</p>	

Installation instructions

➤ Before using your ice maker

- Remove the exterior and interior packing.
- Check to be sure you have all of the following parts:
 - 1 ice bucket
 - 1 plastic scoop
 - 25 ft. Hose
 - 1 Safety Latch Assembly
 - 1 instruction manual
- Before connecting the ice maker to the power source, let it stand upright for approximately 2 hours. This will reduce the possibility of a malfunction in the cooling system from handling during transportation.
- Clean the interior surface with lukewarm water using a soft cloth.

➤ Installation of your ice maker

- This appliance is designed to be recessed or built-in (fully recessed).
- Place your ice maker on a floor that is strong enough to support the ice maker when it is fully loaded. Remember that the unit will be significantly heavier once it is fully loaded. To level your ice maker, adjust the leg at the front of the ice maker.
- Locate the ice maker away from direct sunlight and sources of heat (stove, heater, radiator, etc.). Direct sunlight may affect the acrylic coating and heat sources may increase electrical consumption. Extreme cold ambient temperatures may also cause the ice maker not to perform properly.
- Avoid locating the ice maker in moist areas. Too much moisture in the air will cause frost to form quickly on the evaporator requiring more frequent defrosting of the ice maker.
- Plug the ice maker into an exclusive properly installed-grounded wall outlet. Do not under any circumstances cut or remove the third (ground) prong from the power cord. Any questions concerning power and or grounding should be directed toward a certified electrician or an authorized Avanti Products service center.

➤ [Electrical connection](#)

⚡WARNING⚡

IMPROPER USE OF THE GROUNDED PLUG CAN RESULT IN THE RISK OF ELECTRICAL SHOCK. IF THE POWER CORD IS DAMAGED, HAVE IT REPLACED BY AN AUTHORIZED AVANTI PRODUCTS SERVICE CENTER.

- This ice maker should be properly grounded for your safety. The power cord of this ice maker is equipped with a three-prong plug which mates with standard three prong wall outlets to minimize the possibility of electrical shock.
- Do not under any circumstances cut or remove the third ground prong from the power cord supplied.
- Never use an extension cord to connect power to the unit.
- Never use a two-prong grounding adapter.
- Where a two-prong wall receptacle is encountered, contact a qualified electrician to have it replaced with a 3-prong receptacle in accordance with applicable electrical codes.
- This ice maker requires a standard 115/120 volts a.c./60hz electrical outlet with three-prong ground.
- The cord should be secured behind the ice maker and not left exposed or dangling to prevent accidental injury.

➤ [Extension cord](#)

Because of potential safety hazards under certain conditions, it is strongly recommended that you do not use an extension cord with this appliance. However, if you must use an extension cord it is absolutely necessary that it be a ul/cul-listed, 3-wire grounding type appliance extension cord having a grounding type plug and outlet and that the electrical rating of the cord be 115 volts and at least 10 amperes.

➤ [Connecting the water supply](#)

⚡WARNING⚡

**IMPROPER WATER LINE CONNECTION MAY RESULT IN FLOODING
YOU MUST USE A LICENSED PLUMBER
REVIEW STATE AND LOCAL PLUMBING CODES BEFORE INSTALLATION**

- All the necessary hardware is not provided for installation so it is necessary to hire a professional licensed plumber to complete the installation.
- Connect tubing (supplied with unit) to the nearest cold water source. Connect sufficient tubing to the unit to allow the appliance to be moved freely for cleaning and service. Also make sure that the tubing is not pinched or damaged during transportation.
- Position unit to allow free airflow through the front grill (see sketch 1). Wipe out inside of unit and ice bucket with a damp cloth.



SKETCH 1

➤ [Reversing the door swing of your ice maker](#)

This appliance has the capability of the door opening from either the left or right side. The unit is delivered to you with the door opening from the left side. Should you desire to reverse the opening direction, please call customer service for reversal instructions.

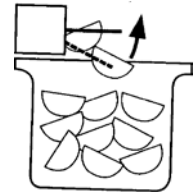
Operating your ice maker

➤ Initial start-up operation

1. Plug the appliance into a 115/120v polarized and grounded wall electrical outlet.
2. Place the on-off switch in the "on" position.
3. Make sure the water supply is on. As soon as the inner mechanism reaches the proper temperature, the icemaker mechanism will fill the mold with water.
4. The first cubes may be small because of air in the water line. Later cubes will be of standard crescent moon type size.
5. Approximate time for the first cycle is between 30-40 minutes.
6. Each cycle approximately will take 140 ml of water so you should have a full tray, after 11 hours.

Important: throw away all ice cubes made during the first 3 hours of operation.

- When the ice bucket is full, the ice making mechanism will automatically shut off. However the system will continue to cool and maintain the cubes supply.
- Ice delivery may be interrupted by raising the metal arm into an upright position (see sketch 2)
- If the icemaker is not used regularly, it is recommended that the ice bucket be emptied periodically to insure fresh ice.
- Sometimes the cubes may appear cloudy. This is cause of no concern and has nothing to do with the taste or chemical make-up of the water.
- The front grill should be kept free of dust and lint to permit free airflow.
- This unit should be defrosted approximately every 4-6 weeks or when frost on the ice maker walls is excessive or ¼" thick. To defrost, turn the unit off, remove cubes and keep door open at least two inches.



SKETCH 2

➤ Installing the Safety Door Latch (Optional)

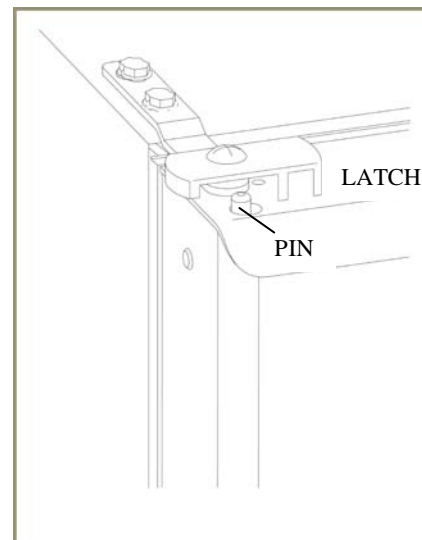
Affix the safety door latch to the unit by attaching the assembly to the unit using the screws included (see diagram).

Remove the plastic hole covers from the top left hand side of the unit.

Attach the safety latch arm to the unit by inserting the two (2) flat head screws in the top two (2) screw holes on the top left hand side of the unit.

Remove the plastic hole cover from the top left hand side of the door and insert the safety pin.

Adjust the latch by moving either one or both flat screws used on the top left hand of the unit until latch locks firmly.



Care and maintenance

➤ Cleaning your ice maker

- Turn the switch control to "off", unplug the ice maker and remove bucket.
- Wash the inside with a warm water and baking soda solution. The solution should be about 2 tablespoons of baking soda to a quart of water.
- Wash the bucket with a mild detergent solution.
- The outside of the ice maker should be cleaned with mild detergent and warm water.
- The condenser coils should be vacuumed when they are dusty or dirty.

Caution

Failure to unplug the ice maker could result in electrical shock or personal injury.

➤ Power failure

Most power failures are corrected within a few hours and should not affect the temperature of your ice maker if you minimize the number of times the door is opened. If the power is going to be off for a longer period of time, you need to take the proper steps to disconnect your appliance.

➤ Vacation time/storage

1. Shut off water supply at the main water valve.
2. Disconnect the water supply line from valve.
3. Allow unit to run for an hour or two until all remaining ice cubes have been ejected.
4. Disconnect unit from main power source.
5. Dry out excess water from ice maker assembly
6. Leave the door open at least two inches.

➤ Moving your ice maker

- Securely tape down all loose items inside your ice maker.
- Turn the leveling screws up to the base to avoid damage.
- Tape the door shut.
- Be sure the ice maker stays in the upright position during transportation.

➤ Energy saving tips

- The ice maker should be located in the coolest area of the room, away from heat producing appliances or heating ducts, and out of the direct sunlight.

Problems with your ice maker?

You can solve many common ice maker problems easily, saving you the cost of a possible service call. Try the suggestions below to see if you can solve the problem before calling the servicer.

Troubleshooting guide

Problem	Possible cause
Ice maker does not operate.	Not plugged in. The circuit breaker tripped or a blown fuse. The ice maker power switch is set at "off".
Not producing ice	Airflow to front grill blocked. The ice maker arm is set to the off position. Water supply is turned off. Water line is crimped. Ice maker has excessive frost build up.
Compressor turns on and off frequently.	The room temperature is hotter than normal. The door is opened too often. The door is not closed completely. The door gasket does not seal properly. The ice maker does not have the correct clearances.
Vibrations.	Check to assure that the ice maker is level.
The ice maker seems to make too much noise.	The rattling noise may come from the flow of the refrigerant, which is normal. As each cycle ends, you may hear gurgling sounds caused by the flow of refrigerant in your ice maker. Contraction and expansion of the inside walls may cause popping and crackling noises. The ice maker is not level.
The door will not close properly.	The ice maker is not level. The door is reversed and not properly installed. The gasket is dirty. The bucket is out of position.
Ice cubes are melted together	Ice maker door is opened too often.

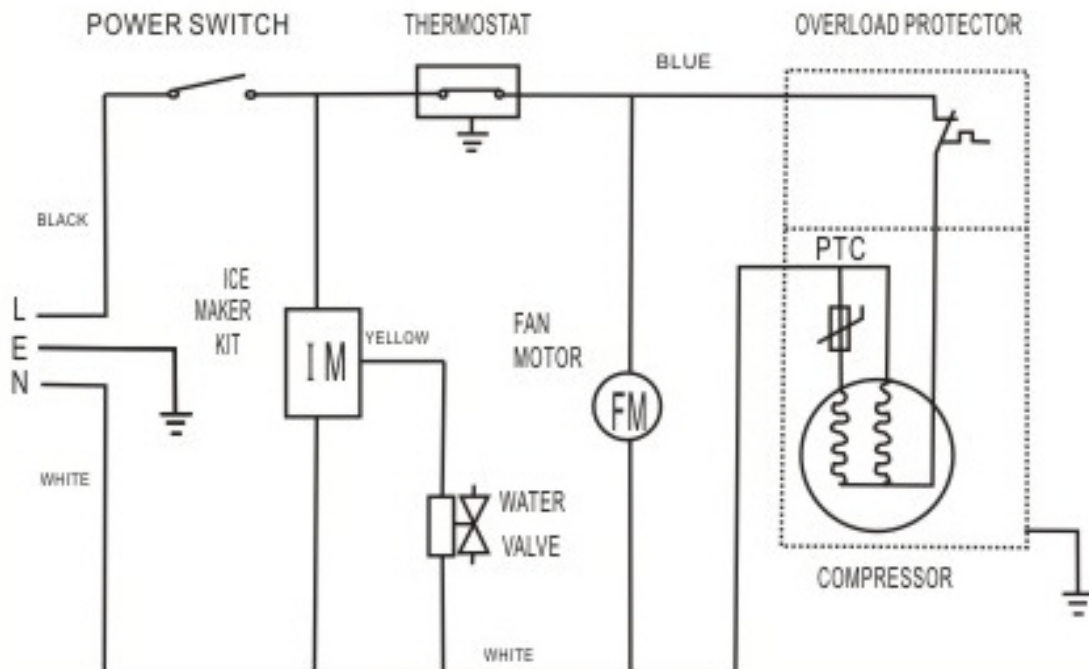
Service for your ice maker

We are proud of our customer service organization and the network of professional service technicians that provide service on your avanti ice maker. With the purchase of your avanti ice maker, you can be confident that if you ever need additional information or assistance, the avanti products customer service team will be here for you. Just call us toll-free.

Avanti products customer services

Product information 800-323-5029	Whatever your questions are about our products, help is available.
Part orders 800-220-5570	You may order parts and accessories that will be delivered directly to your home, by personal check, money order, master card, or visa.
In-home repair service 800-220-5570	An avanti products authorized service center will provide expert repair service, scheduled at a time that is convenient for you. Our trained servicers know your ice maker inside and out.

wiring diagram



Your Avanti Products warranty

Staple your sales receipt here. Proof of original purchase date is needed to obtain service under warranty.

What is covered limited one-year Warranty

For one year from the date of purchase by the original owner, Avanti Products will, at its option, repair or replace any part of the ice maker which proves to be defective in material or workmanship under normal use. During this period Avanti Products will provide all parts and labor necessary to correct such defects free of charge, so long as the ice maker has been installed and operated in accordance with the written instructions in this manual. Avanti Products will provide you with a reasonably similar replacement product that is either new or factory refurbished. In rental or commercial use, the warranty period is 90 days. All Avanti appliances of 3.5 cubic feet capacity or less must be brought/sent to the appliance service shop for repair.

Limited second through Fifth year warranty

For the second through the fifth year from date of original purchase, Avanti Products will provide a replacement compressor free of charge due to a failure. You are responsible for the service labor and freight charges. In rental or commercial use, the limited compressor warranty is one year and nine months. Cost to move the ice maker to the servicers' shop and back to the user's home, as may be required, are the user's responsibility.

WHAT IS NOT COVERED

- INCIDENTAL OR CONSEQUENTIAL DAMAGES.
- PARTS AND LABOR COSTS FOR THE FOLLOWING WILL NOT BE CONSIDERED AS WARRANTY:
 - DOOR SPRINGS AND/OR FRAMES.
 - INNER DOOR PANELS AND/OR DOOR SUPPORTS.
 - CHEST ICE MAKER LID LINERS.
 - PLASTIC CABINET LINERS.
 - SHIPPING AND HANDLING COSTS ASSOCIATED WITH THE REPLACEMENT OF THE UNIT.
 - SURCHARGES INCLUDING, BUT NOT LIMITED TO, ANY AFTER HOUR, WEEKEND, OR HOLIDAY SERVICE CALLS, TOLLS, FERRY TRIP CHARGES, OR MILEAGE EXPENSE FOR SERVICE CALLS TO REMOTE AREAS, INCLUDING THE STATE OF ALASKA.
- REPAIRS PERFORMED BY UNAUTHORIZED SERVICERS.
- SERVICE CALLS THAT DO NOT INVOLVE DEFECTS IN MATERIAL OR WORKMANSHIP SUCH AS CUSTOMER EDUCATION, DOOR REVERSAL, OR PROPER INSTALLATION.
- SERVICE CALLS THAT ARE RELATED TO EXTERNAL PROBLEMS, SUCH AS ABUSE, MISUSE, INADEQUATE ELECTRICAL POWER, ACCIDENTS, FIRE, FLOODS, OR ACTS OF GOD.
- REPLACEMENT OF HOUSE FUSES OR RESETTING CIRCUIT BREAKERS.
- FAILURE OF THE PRODUCT IF IT IS USED FOR OTHER THAN ITS INTENDED PURPOSE.
- THIS WARRANTY DOES NOT APPLY OUTSIDE THE CONTINENTAL U.S.A.

(THIS PAGE LEFT BLANK)

Instrucciones en español

Precaución	Para reducir el riesgo de incendio, descarga eléctrica, o daño cuando use su electrodoméstico, siga las siguientes precauciones.
<ul style="list-style-type: none">• Lea todas las instrucciones antes de usar su electrodoméstico.• Peligro o precaución: existe el riesgo que los niños queden atrapados.• Niños atrapados o sofoca miento no son un problema del pasado. Los electrodomésticos son peligrosos aun si solo los deja en el garaje por un par de días.• Antes de desechar su máquina de hacer hielo o refrigerador usado: quítele las puertas. Deje las repisas en su lugar para evitar que los niños se queden atrapados.• No permita que los niños manejen, jueguen o entren dentro del electrodoméstico.• No limpie su electrodoméstico con líquidos inflamables. Los gases pueden ocasionar fuego o una explosión.• No guarde ni use gasolina u otros líquidos inflamables cerca de este o de cualquier otro electrodoméstico. Los vapores pueden ocasionar fuego o explosión. <p style="text-align: center;">- <u>guarde estas instrucciones.</u>-</p>	

Instrucciones para la instalación

Antes de usar su equipo

- Retire la envoltura interna y externa.
- Verifique que tenga las siguientes partes: 1 canasta de hielo, 1 pestillo de seguridad, 1 manual de instrucciones, 1 recogedor de hielo plástico, y 25 pies de línea de agua.
- Antes de conectar su electrodoméstico a la corriente eléctrica, ubíquelo en una superficie plana por lo menos por 2 horas. Esto reducirá la posibilidad de malfuncionamiento en el sistema de enfriamiento por la manipulación durante el transporte.
- Limpie la superficie interior con agua tibia usando un paño suave.

➤ Instalación de su máquina de hacer hielo

- Ubique su máquina de hacer hielo en un piso que sea lo suficientemente fuerte, para soportar su peso cuando esté totalmente lleno o cargado. Para nivelar la máquina de hacer hielo, ajuste las patas delanteras.
- No es necesario dejar espacio entre la parte trasera y los costados de su electrodoméstico.
- Mantenga su máquina de hacer hielo alejado del aire caliente, vapor o líquidos que puedan salpicarlo, ya que la unidad podría averiarse.
- Los rayos solares directos pueden dañar la capa acrílica, y las fuentes de calor pueden ocasionar un aumento en el consumo eléctrico. Manténgalo lo más alejado posible del agua para prevenir algún choque eléctrico. Evite los sitios húmedos y los ambientes extremadamente fríos ya que esto puede afectar la eficiencia del enfriamiento de su máquina de hacer hielo.
- Evite ubicar su máquina de hacer hielo en aéreas mojadas o muy húmedas. Mucha humedad en el aire puede causar la formación de escarcha rápidamente y necesitara descongelar su máquina de hacer hielo más frecuentemente.
- Conecte la máquina de hacer hielo a un enchufe de pared exclusivo e instale el cable de tierra. Bajo ninguna razón se debe retirar la tercera punta del enchufe. Cualquier consulta con respecto a la energía y/o cable de tierra debe ser dirigida a un electricista certificado o autorizado por el servicio técnico de avanti products.

Conexión eléctrica-

Este electrodoméstico debe ser conectado a tierra. En el caso que ocurra un corto circuito, la conexión a tierra reduce el riesgo de recibir un choque eléctrico ya que cuenta con un alambre para el escape de la corriente eléctrica. Este electrodoméstico está equipado con un enchufe que consta de tres puntas, la tercera punta es la conexión a tierra. Este enchufe debe ser insertado a un enchufe de pared que este correctamente instalado con la conexión a tierra.

Advertencia

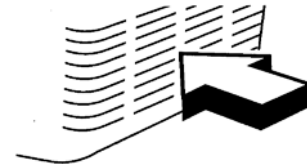
- El uso inapropiado del enchufe a tierra puede desencadenar un choque eléctrico. Consulte el personal autorizado de avanti products si tiene alguna duda sobre las instrucciones o si tiene alguna consulta si el electrodoméstico está correctamente instalado a la corriente eléctrica y a tierra. Si el cordón del enchufe del electrodoméstico se encuentra dañado, debe ser reemplazado por el servicio técnico de Avanti Products.

- El cordón del enchufe está equipado con tres puntas que encajan perfectamente en un enchufe de pared estándar para reducir el riesgo de un choque eléctrico.
- Bajo ninguna circunstancia corte o saque la tercera punta del enchufe, ya que este es para que vaya conectado a tierra.
- No use una extensión.
- El voltaje de este electrodoméstico es de 120 voltios ac, tiene una salida eléctrica de 60 hz. Y consta de un enchufe de tres puntas que va conectado al enchufe de pared.
- El cordón del enchufe debe ser asegurado atrás del electrodoméstico y no dejarlo expuesto para evitar accidentes.

Conexión a fuente de agua

⚡ ADVERTENCIA ⚡
PARA LA CONEXION A LA FUENTE DE AGUA
SE REQUIERE UTILIZAR UN
PLOMERO PROFESIONAL Y ACREDITADO (CON LICENCIA),
ASI COMO VERIFICAR LOS CODIGOS LOCALES Y ESTATALES

- Antes de instalar la unidad verifique los códigos de plomería en su estado. Recomendamos que para la instalación use un plomero profesional y con licencia.
- conecte el tubo (incluido) a la fuente de agua fría más cercana. Instale suficiente tubería a la unidad para permitirle movimiento libre durante la limpieza y el servicio. Asegúrese que la tubería no sea aplastada o dañada durante el transporte.
- Coloque la unidad de manera que permita la circulación del aire a través de la rejilla delantera (dibujo 1). Con un trapo limpio y húmedo limpie la unidad por dentro y el depósito de hielo.



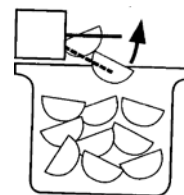
DIBUJO 1

Operación inicial

1. Conecte el aparato a un enchufe de pared de 120v ac, polarizado y con salida a tierra.
2. Encienda la unidad colocando el interruptor en la posición "on".
3. Verifique que la fuente de agua esté abierta. El agua entrará al mecanismo de hacer hielo cuando la unidad alcance la temperatura apropiada.
4. Los primeros cubos de hielo podrían salir pequeños debido al aire en la entrada del agua. Los siguientes cubos tendrán el tamaño normal en forma de media luna.
5. El primer ciclo tomará aproximadamente 30-40 minutos.
6. Para llenar el depósito se requieren 140 ml de agua y aproximadamente 11 horas.

Importante: deshágase de los cubos de hielo hechos durante las 3 primeras horas de operación.

- Cuando el depósito de hielo este lleno, el mecanismo para hacer hielo se detiene automáticamente. Sin embargo el motor continúa enfriando y mantiene los cubos de hielo congelados.
- Para detener la caída de cubos al depósito, levante el brazo de metal (dibujo 2).
- Si la máquina de hacer hielo no es usada regularmente, recomendamos que vacíe el depósito del hielo periódicamente para asegurar que tenga hielo fresco.
- A veces los cubos pueden salir blancos o nubosos, esto es normal y no afecta el sabor o composición del agua.
- La rejilla delantera debe estar libre de polvo o pelusas para permitir la libre circulación del aire.
- La unidad debe ser descongelada aproximadamente cada 4-6 semanas o cuando vea escarcha de más de ¼" (7 mm) de espesor en las paredes. Para descongelar, apague la unidad, vacíe el depósito de hielo y mantenga la puerta abierta por lo menos 2" (5 cm).



DIBUJO 2

➤ **Instalando el pestillo de seguridad de la puerta (En caso necesario)**

Ajuste el pestillo de seguridad de la puerta a la unidad, coloque el ensamble a la unidad usando los tornillos incluidos (vea el diagrama).

Remueva las tapitas plásticas de los orificios en la superficie izquierda de la unidad

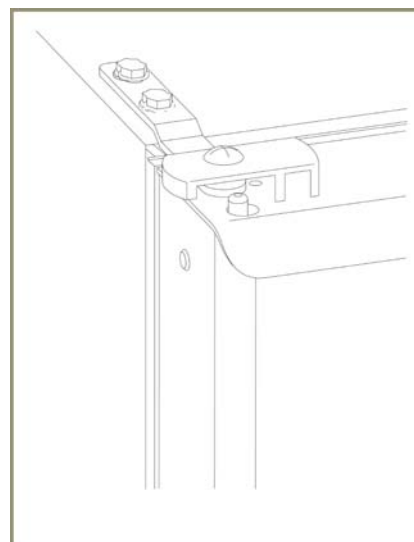
Coloque el pestillo a la unidad, insertando los dos (2) tornillos Phillips en los dos orificios de la superficie izquierda de la unidad.

Retire la tapita plastic del orificio en la superficie izquierda de la puerta e inserte el pin de seguridad.

Ajuste el pestillo moviendo cualquiera de los dos (2) tornillos usados en la parte superior izquierda has que el pestillo quede firme.

Como cambiar la direccion de apertura de la puerta

En caso de que necesite cambiar el lado de apertura de la puerta, por favor consulte al servicio pos-venta de su localidad.



Advertencia

No use agua hirviendo porque dañara las partes de plástico. Tampoco use puntas o instrumentos metálicos para retirar la escarcha ya que dañara el espiral de enfriamiento y cancelara la garantía. Le recomendamos usar una espátula de plástico.

Cuidado y mantenimiento

➤ Limpiando su máquina de hacer hielo

- Empuje el control a "Off". Desconecte el aparato y retire los hielos.
- Lave el interior con agua tibia y un paño suave remojado en una solución de bicarbonato de sodio. La solución consiste en 2 cucharadas de bicarbonato de sodio en un litro de agua.
- Lave la canasta de almacenaje con un detergente suave.
- Las partes externas de su máquina deben ser limpiadas con un detergente suave y agua tibia.
- El espiral del condensador debe ser limpiado cuando este sucio o tenga polvo.

AVISO

Asegúrese de desconectar la máquina de hacer hielo de la corriente eléctrica. Si no lo hace, puede ocasionar un choque eléctrico o herirse.

Si falla el suministro eléctrico

Usualmente la electricidad regresa en unas pocas horas sin afectar la temperatura de su máquina de hacer hielo, siempre que la puerta no se abra muy frecuentemente. Si le va faltar electricidad por un periodo de tiempo más largo, usted debe tomar los pasos apropiados para proteger su electrodoméstico.

Guía para solucionar problemas

Problema	Solución
Su electrodoméstico no funciona	No está conectado a la corriente eléctrica. El interruptor salto o se quemó un fusible El control está en "off"
El compresor se enciende y se apaga frecuentemente	La temperatura de la habitación es más caliente de lo normal. La puerta permanece abierta mucho tiempo. La puerta no quedó completamente cerrada. La empaquetadura de la puerta no está sellada adecuadamente. La máquina de hacer hielo no tiene el suficiente espacio libre. Hay mucha escarcha. Descongelar inmediatamente.
Vibración.	Asegúrese que la máquina de hacer hielo esté ubicada en un lugar totalmente plano.
Sonido de burbujeo, goteo, como agua que hierve o crujidos.	Esto es normal. Es el refrigerante (usado para enfriar la máquina de hacer hielo) que está circulando a través del sistema. La contracción y expansión de las paredes internas puede ocasionar sonidos como crujidos.
La puerta no cierra completamente	La máquina de hacer hielo no está totalmente nivelada. La dirección de apertura de la puerta fue invertida pero instalada incorrectamente. El sellador de la puerta está sucio. La canasta de almacenaje está fuera de su sitio obstaculizando el cierre de la puerta.

REGISTRATION INFORMATION

Thank you for purchasing this fine Avanti product. Please fill out this form and return it within 100 days of purchase to receive these important benefits to the following address:

Avanti Products, A Division of The Mackle Co., Inc.
P.O. Box 520604 - Miami, Florida 33152 USA

➤ **PROTECT YOUR PRODUCT:**

We will keep the model number and date of purchase of your new Avanti product on file to help you refer to this information in the event of an insurance claim such as fire or theft.

➤ **PROMOTE BETTER PRODUCTS:**

We value your input. Your responses will help us develop products designed to best meet your future needs.

------(DETACH HERE)-----

AVANTI REGISTRATION FORM

NAME _____

MODEL # _____

SERIAL # _____

ADDRESS _____

DATE PURCHASED _____

STORE/DEALER NAME _____

CITY _____

STATE _____

ZIP _____

OCCUPATION _____

AREA CODE _____

PHONE NUMBER _____

AS YOUR PRIMARY RESIDENCE, DO YOU:

OWN

RENT

DID YOU PURCHASE AN ADDITIONAL WARRANTY:

EXTENDED NONE

REASON FOR CHOOSING THIS AVANTI PRODUCT:

PLEASE INDICATE THE MOST IMPORTANT FACTORS THAT INFLUENCED YOUR DECISION TO PURCHASE THIS PRODUCT.

PRICE

PRODUCT FEATURES

AVANTI REPUTATION

PRODUCT QUALITY

SALESPERSON RECOMMENDATION

FRIEND/RELATIVE RECOMMENDATION

WARRANTY

OTHER _____

YOUR AGE:

UNDER 18

18-25

26-30

31-35

36-50

OVER 50

MARITAL STATUS:

MARRIED SINGLE

IS THIS PRODUCT USED IN THE:

HOME

BUSINESS

HOW DID YOU LEARN ABOUT THIS PRODUCT:

ADVERTISING

IN STORE DEMO

PERSONAL DEMO

OTHER _____

COMMENTS _____

PRINTED IN CHINA

Free Manuals Download Website

<http://myh66.com>

<http://usermanuals.us>

<http://www.somanuals.com>

<http://www.4manuals.cc>

<http://www.manual-lib.com>

<http://www.404manual.com>

<http://www.luxmanual.com>

<http://aubethermostatmanual.com>

Golf course search by state

<http://golfingnear.com>

Email search by domain

<http://emailbydomain.com>

Auto manuals search

<http://auto.somanuals.com>

TV manuals search

<http://tv.somanuals.com>