

DUAL FUEL RANGE

for residential use only

DGE 2403 SC

- **USERS OPERATING INSTRUCTIONS
IMPORTANT - PLEASE READ AND FOLLOW**



ENGLISH

ESPAÑOL

IMPORTANT - PLEASE READ AND FOLLOW

- ✓ Before beginning, please read these instructions completely and carefully.
- ✓ Do not remove permanently affixed labels, warnings, or plates from the product. This may void the warranty.
- ✓ Please observe all local and national codes and ordinances.
- ✓ Please ensure that this product is properly grounded.
- ✓ **The installer should leave these instructions with the consumer who should retain for local inspector's use and for future reference.**

Installation must conform with local codes or in the absence of codes, the National Fuel Gas Code ANSI Z223.1 - latest edition. Electrical installation must be in accordance with the National Electrical Code, ANSI/NFPA 70 - latest edition and/or local codes. IN CANADA: Installation must be in accordance with the current CAN/CGA-B149.1 National Gas Installation Code or CAN/CGA-B149.2, Propane Installation Code and/or local codes. Electrical installation must be in accordance with the current CSA C22.1 Canadian Electrical Codes Part 1 and/or local codes.

INSTALLATION IN MANUFACTURED (MOBILE) HOME: The installation must conform with the Manufactured Home Construction and Safety Standard, Title 24 CFR, Part 3280 [formerly the Federal Standard for Mobile Home Construction and Safety, Title 24, HUD (Part 280)] or, when such standard is not applicable, the Standard for Manufactured Home Installations, ANSI/NCSBCS A225.1, or with local codes where applicable.

INSTALLATION IN RECREATIONAL PARK TRAILERS: The installation must conform with state or other codes or, in the absence of such codes, with the Standard for Recreational Park Trailers, ANSI A119.5.

Installation of any gas-fired equipment should be made by a licensed plumber. A manual gas shut-off valve must be installed in the gas supply line ahead of the appliance in the gas stream for safety and ease of service.

If an external electrical source is utilized, the appliance, when installed, must be electrically grounded in accordance with local codes or, in the absence of local codes, with the national Electrical Code, ANSI/NFPA 70.

**This range is supplied with a protective film on steel and aluminium parts.
This film must be removed before installing/using the appliance.**



WARNING

- ALL RANGES CAN TIP
- INJURY TO PERSON COULD RESULT
- INSTALL ANTI-TIP DEVICE PACKED WITH RANGE
- SEE INSTALLATION INSTRUCTIONS

WARNING: IF THE INFORMATION IN THIS MANUAL IS NOT FOLLOWED EXACTLY, A FIRE OR EXPLOSION MAY RESULT CAUSING PROPERTY DAMAGE, PERSONAL INJURY, OR DEATH.

- ✓ Do not store or use gasoline or other flammable vapors and liquids in the vicinity of this or any other appliance.
- ✓ **WHAT TO DO IF YOU SMELL GAS:**
 - Do not try to light any appliance.
 - Do not touch any electrical switch; do not use any phone in your building.
 - Immediately call your gas supplier from a neighbor's phone. Follow the gas supplier's instructions.
 - If you cannot reach your gas supplier, call the fire department.
- ✓ Installation and service must be performed by a qualified installer, service agency, or the gas supplier.

Dear Customer,

Thank you for having purchased and given your preference to our product.

The safety precautions and recommendations reported below are for your own safety and that of others. They will also provide a means by which to make full use of the features offered by your appliance.

Please preserve this booklet carefully. It may be useful in future, either to yourself or to others in the event that doubts should arise relating to its operation.

This appliance must be used only for the task it has explicitly been designed for, that is for cooking foodstuffs. Any other form of usage is to be considered as inappropriate and therefore dangerous.

The manufacturer declines all responsibility in the event of damage caused by improper, incorrect or illogical use of the appliance.

USER INSTRUCTIONS

GENERAL INFORMATION



WARNING!!

1. This appliance shall not be used for space heating. This information is based on safety considerations.
2. All openings in the wall behind the appliance and in the floor under the appliance shall be sealed.
3. Keep appliance area clear and free from combustible materials, gasoline, and other flammable vapors.
4. Do not obstruct the flow of combustion and ventilation air.
5. Disconnect the electrical supply to the appliance before servicing.
6. When removing appliance for cleaning and/or service;
 - A. Shut off gas at main supply.
 - B. Disconnect AC power supply.
 - C. Disconnect gas line to the inlet pipe.
 - D. Carefully remove the range by pulling outward.
CAUTION: Range is heavy; use care in handling.
7. **Electrical Requirement**

Electrical installation should comply with national and local codes.
8. **Air Supply and Ventilation**

The installer must refer to local/national codes.
9. **Gas Manifold Pressure**

Natural gas - 4.0" W.C.P.
LP/Propane - 11.0" W.C.P.
10. The misuse of oven door (e.g. stepping, sitting, or leaning on them) can result in potential hazards and/or injuries.
11. When installing or removing the range for service, a rolling lift jack should be used. Do not push against any of the edges of the range in an attempt to slide it into or out of the installation. Pushing or pulling a range (rather than using a lift jack) also increases the possibility of bending the leg spindles or the internal coupling connectors.



WARNING!!

ELECTRICAL GROUNDING INSTRUCTIONS

The range must be electrically grounded in accordance with local codes or, in the absence of local codes, with the National Electrical Code, ANSI/NFPA No. 70-latest edition. Installation should be made by a licensed electrician.

FOR PERSONAL SAFETY, THIS APPLIANCE MUST BE PROPERLY GROUNDED.

If an external electrical source is utilized, the installation must be electrically grounded in accordance with local codes or, in the absence of local codes, with the national Electrical Code, ANSI/NFPA 70.

REPLACEMENT PARTS


Only authorized replacement parts may be used in performing service on the range. Replacement parts are available from factory authorized parts distributors. Contact the nearest AVANTI parts distributor in your area.

IMPORTANT PRECAUTIONS AND RECOMMENDATIONS

After having unpacked the appliance, check to ensure that it is not damaged.

In case of doubt, do not use it and consult your supplier or a professionally qualified technician.

Packing elements (i.e. plastic bags, polystyrene foam, nails, packing straps, etc.) should not be left around within easy reach of children, as these may cause serious injuries.

The packaging material is recyclable and is marked with the recycling symbol .

- ✓ Do not attempt to modify the technical characteristics of the appliance as this may become dangerous to use.
- ✓ Do not carry out cleaning or maintenance operations on the appliance without having previously disconnected it from the electric power supply.
- ✓ After use, ensure that the knobs are in **OFF** position.
- ✓ Do not allow children or other incapable people to use the appliance without supervision.
- ✓ During and after use of the range, certain parts will become very hot. Do not touch hot parts.
- ✓ Keep children away from the range when it is in use.
- ✓ This range is supplied with a protective film on steel and aluminium parts. This film must be removed before installing/using the appliance.
- ✓ **Fire risk!** Do not store flammable material in the oven, and in the drawer.
- ✓ Make sure that electrical cables connecting other appliances in the proximity of the range cannot come into contact with the hob or become entrapped in the oven door.
- ✓ Do not line the oven walls with aluminium foil. Do not place shelves, grill-pan, pans or other cooking utensils on the base of the oven chamber.
- ✓ The manufacturer declines all liability for injury to persons or damage to property caused by incorrect or improper use of the appliance.
- ✓ To avoid any possible hazard, the appliance must be installed by qualified personnel only. Any repairs by unqualified persons may result in electric shock or short circuit. In order to avoid possible injuries to your body or to the appliance, do not attempt any repairs by yourself. Such work should be carried out by qualified service personnel only.
- ✓ **Danger of burns!** The oven and cooking accessories may become very hot during operation. Make sure children are kept out of reach and warn them accordingly. To avoid burns use kitchen clothes and gloves when handling hot parts or utensils.
- ✓ Stand away from the range when opening oven door. Hot air or steam which escapes can cause burns to hands, face, and/or eyes.
- ✓ Never clean the oven with a high-pressure steam cleaning device, as it may provoke a short circuit.
- ✓ This appliance is intended for use in your household. Never use the appliance for any other purpose!
- ✓ If you should decide not to use this appliance any longer (or decide to substitute an older model), before disposing of it, it is recommended that it be made inoperative in an appropriate manner in accordance to health and environmental protection regulations, ensuring in particular that all potentially hazardous parts be made harmless, especially in relation to children who could play with old appliances. Remove the door before disposal to prevent entrapment.

IMPORTANT PRECAUTIONS AND RECOMMENDATIONS FOR USE OF ELECTRICAL APPLIANCES

Use of any electrical appliance implies the necessity to follow a series of fundamental rules. In particular:

- ✓ Never touch the appliance with wet hands or feet;
- ✓ Do not operate the appliance barefooted;
- ✓ Do not allow children or disabled people to use the appliance without your supervision.

The manufacturer cannot be held responsible for any damages caused by improper, incorrect or unreasonable use of the appliance.

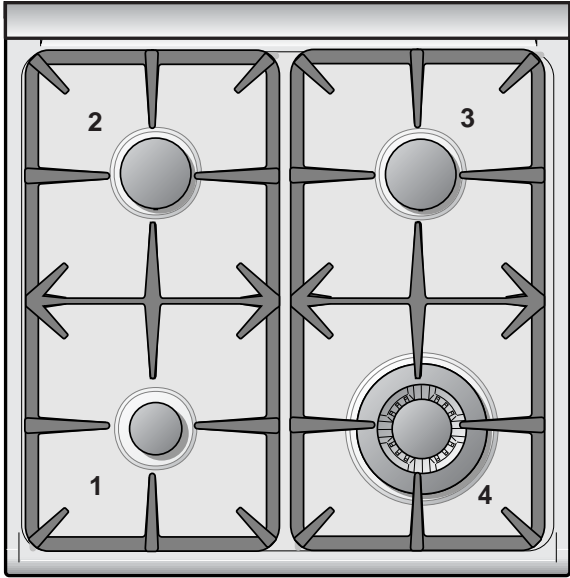


Fig. 1.1

COOKING HOB

- 1. Auxiliary burner (AUX) - 3500 BTU/hr
- 2. Left semi-rapid burner (SR) - 6000 BTU/hr
- 3. Right semi-rapid burner (SR) - 6000 BTU/hr
- 4. Triple-ring burner (TR) - 12000 BTU/hr

Note:

- The electric gas-lighting device is incorporated into the knobs.

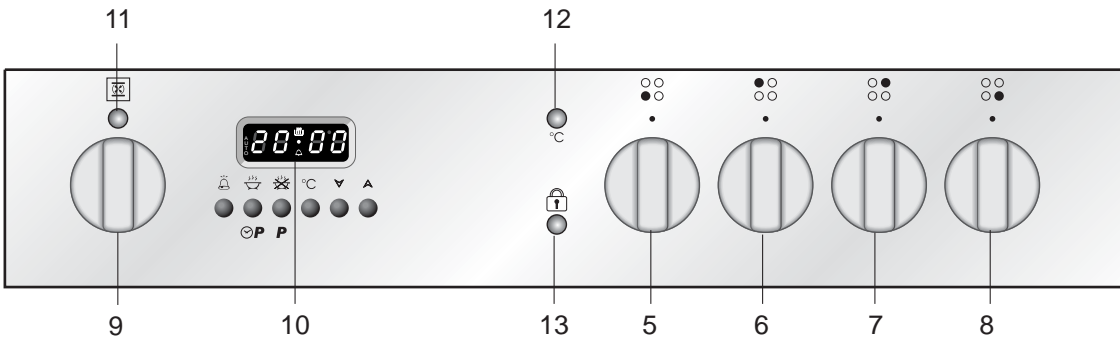
CAUTION:

If the burner is accidentally extinguished, turn the gas off at the control knob and wait at least 1 minute before attempting to relight.

CAUTION:

Gas appliances produce heat and humidity in the environment in which they are installed. Ensure that the cooking area is well ventilated following national/local codes.

CONTROL PANEL



CONTROLS DESCRIPTION

Cooking hob controls:

- 5. Front left burner (1) control knob ○○
- 6. Rear left burner (2) control knob ●○
- 7. Rear right burner (3) control knob ○●
- 8. Front right burner (4) control knob ○○

Oven controls:

- 9. Function selector knob
- 10. Electronic programmer
- 11. Line pilot light
- 12. Temperature pilot light
- 13. Door locked pilot light

GAS BURNERS

Gas flow to the burners is adjusted by turning the knobs (illustrated in fig. 2.1) which control the valves.

Turning the knob so that the symbol printed on itself points to the symbols printed on the control panel achieves the following functions:

- OFF** = closed valve
- ★ HI** = maximum rate
- LO** = minimum rate

The maximum aperture position permits rapid boiling of liquids, whereas the minimum aperture position allows simmer warming of food or maintaining boiling conditions of liquids.

To reduce the gas flow to minimum, rotate the knob further anti-clockwise to point the indicator towards the **LO** position.

Other intermediate operating adjustments can be achieved by positioning the indicator between the maximum and minimum aperture positions, and never between the maximum aperture and **OFF** positions.

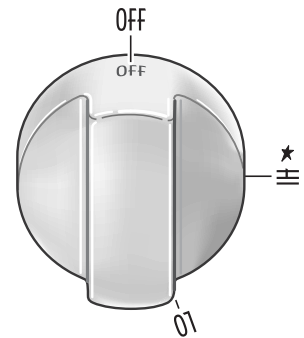


Fig. 2.1

N.B. When the range is not being used, set the gas knobs to their **OFF** positions and also close the gas shut-off valve placed on the main gas supply line.

LIGHTING GAS BURNERS

In order to light the burner, you must:

- 1 – Turn the knob in an anti-clockwise direction up to the **★ HI** position (maximum rate), push in and hold the knob until the flame has been lit (fig. 2.2).

The sparks produced by the lighter situated inside the relative burner will light the flame.

In the event that the local gas supply conditions makes it difficult to light the burner in **★ HI** position, try again with the knob in **LO** position.

If there is no mains electrical supply, bring a lighted match close to the burner.

- 2 – Adjust the gas valve to the desired position.

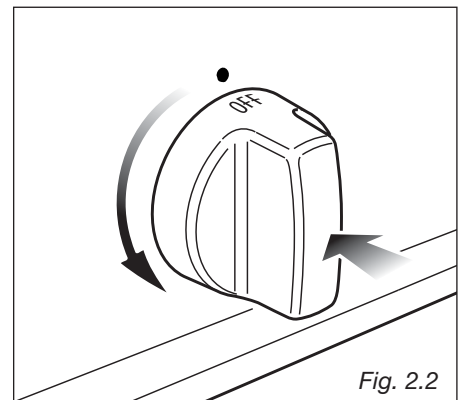


Fig. 2.2

To re-light the burner, return the knob to the **OFF** position and repeat the operations for lighting.

Caution!

The range becomes very hot during operation.
Keep children well out of reach.

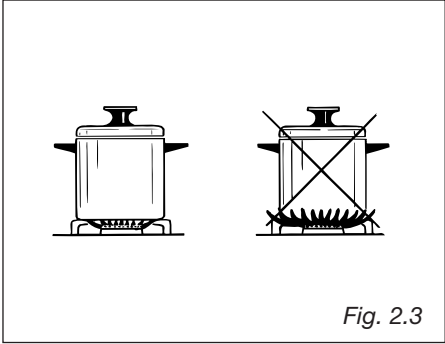


Fig. 2.3

CHOICE OF BURNER (fig. 2.3)

The symbols printed on the panel beside the gas knobs indicate the correspondence between the knob and the burner.

The most suitable burner is to be chosen according to the diameter and volume capacity of the container to be warmed.

It is important that the diameter of the pots or pans suitably match the heating potential of the burners in order not to jeopardise the efficiency of the burners, bringing about a waste of gas fuel.

A small diameter pot or pan placed on a large burner does not necessarily mean that boiling conditions are reached quicker.

DIAMETERS OF PANS WHICH MAY BE USED ON THE HOB BURNERS		
BURNER	MINIMUM	MAX.
Auxiliary	12 cm (4" 23/32)	14 cm (5" 1/2)
Semirapid	16 cm (6" 19/64)	24 cm (9" 7/16)
Triple-ring	26 cm (10" 15/64)	28 cm (11" 1/64)
Wok pans max 36 cm (14" 11/64)		
Do not use pans with concave or convex bases		

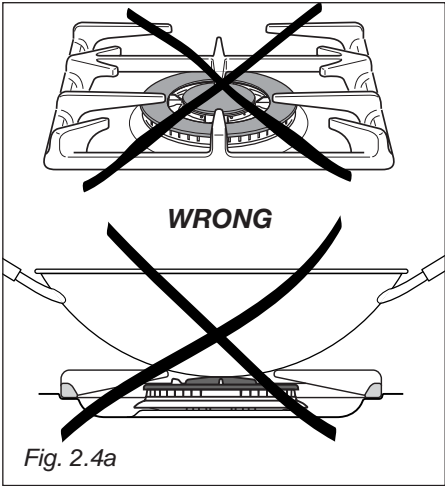


Fig. 2.4a

CORRECT USE OF TRIPLE-RING BURNER (Fig. 2.4a - 2.4b)

The flat-bottomed pans are to be placed directly onto the pan-support.

When using a WOK you need to place the supplied stand in the burner to avoid any faulty operation of the triple-ring burner (Fig. 2.4a - 2.4b).

IMPORTANT:

The special grille for wok pans (fig. 2.4b) **MUST BE PLACED ONLY** over the pan-rest for the triple-ring burner.

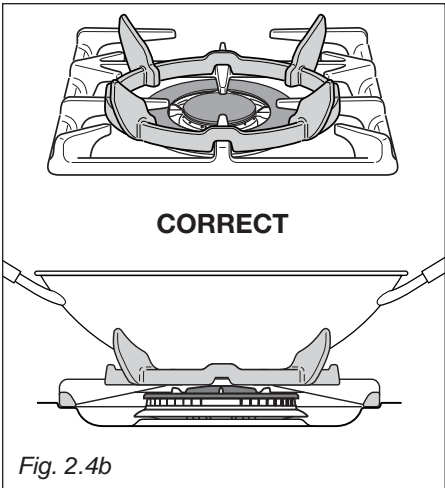
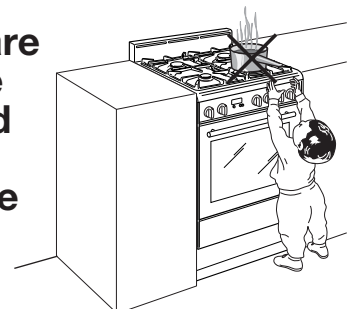


Fig. 2.4b



Make sure that the handles of cookware do not stick out over the edge of the cooker, to avoid them being knocked over by accident. This also makes it more difficult for children to reach the cooking vessels.



GENERAL FEATURES

This oven has special operating features.

5 different functions can be used to satisfy all cooking needs; it also has a self cleaning function which can clean the oven cavity at high temperature, a defrost function and an oven light function.

These functions are managed by an electronic programmer which keeps the temperature set constant by means of a probe inside the oven cavity.

The oven has the following heating elements:

- Lower heating element (double) 500 + 1300 W
- Upper heating element 1000 W
- Grill heating element 2000 W

Attention: the oven door becomes very hot during operation. Keep children away.

VERY IMPORTANT
The oven shall be used always with the door closed.

USING THE OVEN FOR THE FIRST TIME

- Put in the shelf and the tray.
- Switch the oven on empty (on a cooking function – **NOT SELF CLEANING**) at maximum power for about 2 hours to remove traces of grease and smells from the components.
- When the oven has cooled down and unplugging the range, clean the inside of the oven with a cloth soaked in water and neutral detergent and dry it perfectly.

WARNING:

The door is hot, use the handle.

OPERATING PRINCIPLES

Heating and cooking in the multifunction self cleaning oven takes place as follows:

- **by normal convection**
The heat is produced by the upper and lower heating elements.
- **by semi-forced convection**
The heat produced by the upper and lower heating elements is distributed throughout the oven by the fan.
- **by radiation**
The heat is radiated by the infra red grill element.
- **by radiation and fan**
The radiated heat from the infra red grill element is distributed throughout the oven by the fan.
- **by double radiation and fan**
The fan distributes the heat radiated by the grill heating element and the upper heating element in the oven.
- **by ventilation**
The food is defrosted by using the fan only function without heat.
- **by self cleaning**
The heat produced by the heating elements cleans the internal oven cavity removing all residue of grease.
THIS IS NOT A COOKING FUNCTION

NOTES ON OVEN WORKING

A cooling fan starts automatically when selecting a cooking or self cleaning mode. It stops when turning the selector knob to OFF or light or defrosting position and the inside oven cavity temperature drops below 100 °C (212 °F).

The purpose of this fan is to reduce the temperature inside/outside the appliance.

Note: The first time the oven is used or after a black-out the programmer must be started by pressing keys 2 and 3 simultaneously. See the chapter on the use of the electronic programmer.



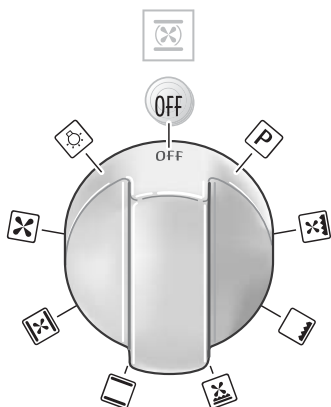


Fig. 3.1

SELECTING THE FUNCTIONS (fig. 3.1)

The cooking function is selected by turning the function selector knob and matching the mark with the symbol printed on the print.

Important: In all cooking functions the oven must always be used with the DOOR CLOSED.



If the door stays open “door” appears on the programmer display and after five minutes an audible warning sounds for 30 seconds and “door” flashes.

To silence the audible warning press any programmer pushbutton.

NOTE: The heating elements work even with the door open and this signal just indicates that energy is being wasted and the control panel/knobs are excessively heated.



OVEN LIGHT

On turning the knob to this position only the oven lamp lights up. The lamp is always on in all the cooking functions (not for the self cleaning).



DEFROSTING FROZEN FOODS (this is not a cooking function)

Only the fan and the oven lamp switch on. Defrosting takes place by fan, without heating. The electronic programmer shows **DEF**



Recommended for:

To rapidly defrost frozen foods; 2.2 lb (1 kg) requires about one hour. The defrosting times vary according to the quantity and type of foods to be defrosted.



CONVECTION COOKING WITH VENTILATION

The upper and lower heating elements and the fan switch on. The heat from the top and the bottom is diffused by fan convection. The temperature can be set between 120 °F (50 °C) and 480 °F (250 °C).

On selecting this function the electronic programmer starts cooking with a pre-heating temperature set at 320 °F (180 °C). To vary the temperature see the “Setting the cooking” chapter.

Recommended for:

For foods of large volume and quantity which require the same internal and external



TRADITIONAL CONVECTION COOKING

The upper and lower heating elements switch on.

The heat is diffused by natural convection and the temperature must be set between 120 °F (50 °C) and 480 °F (250 °C). On selecting this function the electronic programmer starts cooking with a pre-heating temperature set at 350 °F (200 °C). To vary the temperature see the “Setting the cooking” chapter.

Recommended for:

For foods which require the same cooking temperature both internally and externally, i. e. roasts, spare ribs, meringue, etc.



VENTILATED COOKING WITH DOUBLE BROIL

The infrared element, the upper heating element and the fan switch on. The heat is mainly diffused by radiation and the fan distributes it in the whole oven. The temperature can be set between 120 °F (50 °C) and 480 °F (250 °C).

On selecting this function the electronic programmer starts cooking with a pre-heating temperature set at 480 °F (240 °C). To vary the temperature see the “Setting the cooking” chapter.

Recommended for:

Meats which are to be cooked at a high temperature but which must remain tender. Fish remains more tender; turn it once during cooking.



BROILING

The infrared heating element switches on.

The heat is diffused by radiation. The temperature can be set between 120 °F (50 °C) and 480 °F (250 °C). On selecting this function the electronic programmer starts cooking with a pre-heating temperature set at 480 °F (210 °C). To vary the temperature see the "Setting the cooking" chapter.

Recommended for:

Intense broiling action for cooking with the broiler; browning, crisping, "au gratin", toasting, etc. For correct use see the "Grilling" chapter.



VENTILATED BROILING

The infrared heating element and the fan switch on. The heat is mainly diffused by radiation and the fan distributes it in the whole oven.

The temperature can be set between 120 °F (50 °C) and 480 °F (250 °C).

On selecting this function the electronic programmer starts cooking with a pre-heating temperature set at 480 °F (220 °C). To vary the temperature see the "Setting the cooking" chapter.

Recommended for:

For grill cooking when a fast outside browning is necessary to keep the juices in, i. e. veal steak, steak, hamburger, etc. For correct use see the "Fan grilling" chapter.



SELF CLEANING FUNCTION

IMPORTANT NOTES:

This is not a cooking function but is only used to clean the oven.

Before starting the self cleaning cycle:

- **Take all the accessories out of the oven (drip tray and shelves).**
- **Clean any traces of liquid which have overflowed.**
- **Close the oven door and make sure that it is closed properly.**

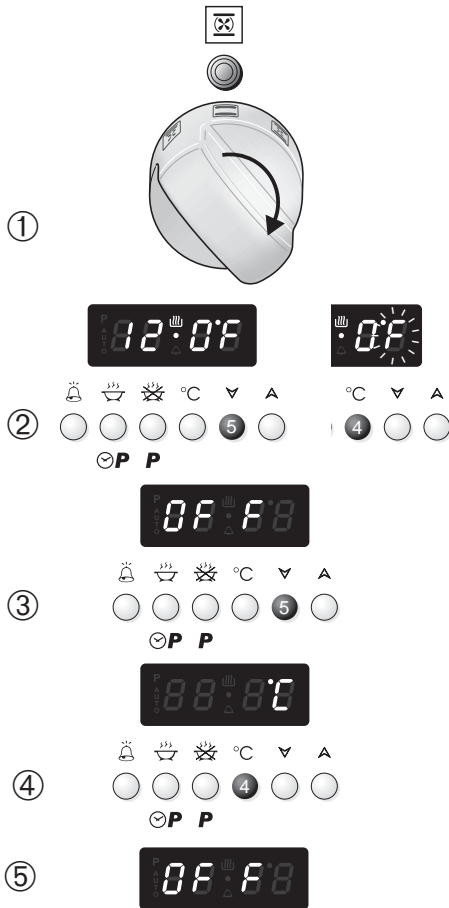
If there are cracks or flaws on the oven door glass (inside/outside) or if the gaskets are ruined or worn or if the door does not close perfectly, unplug the appliance and contact the AVANTI Service Centre.

GENERAL INFORMATION

- In this function the residual cooking greases on the inside walls of the oven cavity are pulverised by the high temperature. The fumes produced during this process are filtered by a special catalyst in the upper part of the appliance.
- Smells and fumes produced during self cleaning are not a cause of alarm. Adequate ventilation should however be provided in the room where the oven is installed, e.g. by opening a window.
- Do not wait for the oven to be very greasy before performing this cleaning. It should not be performed after every cooking, either, but only when the level of dirt justifies it (on average 1 – 2 times a month depending on oven use).
- For safety reasons (high temperature of the oven cavity), when the self cleaning starts the oven door is automatically locked by an electronic device (after about 30 seconds on the control panel the pilot light with key symbol lights up). The door can no longer be opened and is only unlocked at the end of the cleaning cycle or, stopping the cycle, when the oven cavity has cooled to a temperature lower than 570 °F (300 °C).
- When the self cleaning function starts an internal fan starts automatically to cool the oven walls. It only stops at the end of the cycle, when the oven cavity temperature has dropped below 212 °F (100 °C).
- The procedures for starting, stopping and completing the self cleaning cycle and dealing with any problems are described in the following chapters:
 - "How to start the self cleaning cycle"
 - "Problems on starting and during the self cleaning cycle"
 - "How to stop the self cleaning cycle"
 - "What to do when the self cleaning cycle has finished"
 - "Abnormal situations and/or operating problems"

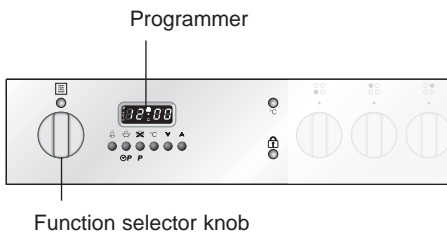
CAUTION: During the self cleaning cycle the accessible parts may become hot. Keep children away.

3



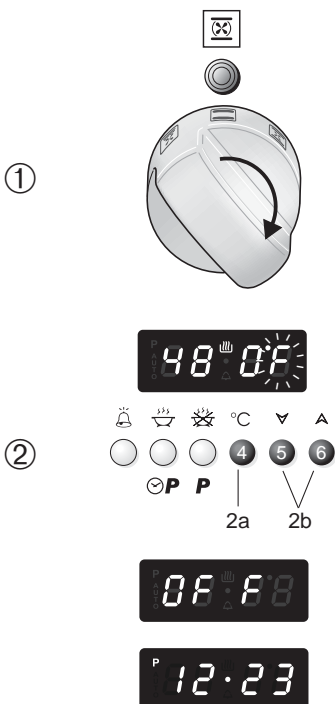
SELECTING °F/°C ON THE DISPLAY

1. Turn the oven selector knob to a cooking function (i.e. convection cooking).
2. Press key 5 on the programmer to reduce a temperature until you reach the minimum value (120 °F/50 °C). If °F/°C is not flashing on the display press key 4 of the programmer before pressing key 5.
3. With °F/°C flashing on the display press key 5 again (if °F/°C is not flashing press key 4 before pressing key 5) until OFF appears on the display.
4. Keep key 4 pressed for about 3/5 seconds until the display changes from °C to °F or vice versa. During selection °C or °F is flashing.
5. When OFF appears again on the display turn the selector knob to OFF position; the selection to °C or °F has been completed.



SETTING THE COOKING (ONLY FOR THE COOKING FUNCTIONS)

The temperature set is shown on the electronic programmer display and can be varied, with 5 °F (5 °C) intervals, by means of the programmer keys. During the cooking the oven temperature (°F or °C) is measured by a sensor inside the cavity and is shown on the programmer display until setted temperature is reached. If setted temperature is less than inside oven temperature, the display shows the setted temperature.



1. SELECTING THE COOKING FUNCTION

Turn the selector knob to the cooking function required

The pre-set temperature appears on the programmer display. °F or °C flashes on the display for 3 seconds. The heating elements start cooking immediately.

2. SETTING THE COOKING TEMPERATURE

The temperature can be changed when °F or °C is flashing on the display

2a. If °F or °C is not flashing press key 4 of the programmer.

2b. Press key 6 to increase the temperature or key 5 to reduce it.

The maximum temperature which can be set is 480 °F (250 °C) while the minimum temperature is 120 °F (50 °C).

Note: When °F or °C becomes steady the value shown on the display indicates the oven cavity temperature until setted temperature is reached. If setted temperature is less than inside oven temperature, the display shows the setted temperature.

Caution: If a temperature below the minimum value (120 °F or 50 °C) is set the system switches off automatically and **OFF** appears. In this case repeat the procedure from point 2.

3. SWITCHING OFF

Turn the selector knob to position **OFF** (oven OFF). The programmer display shows the time.

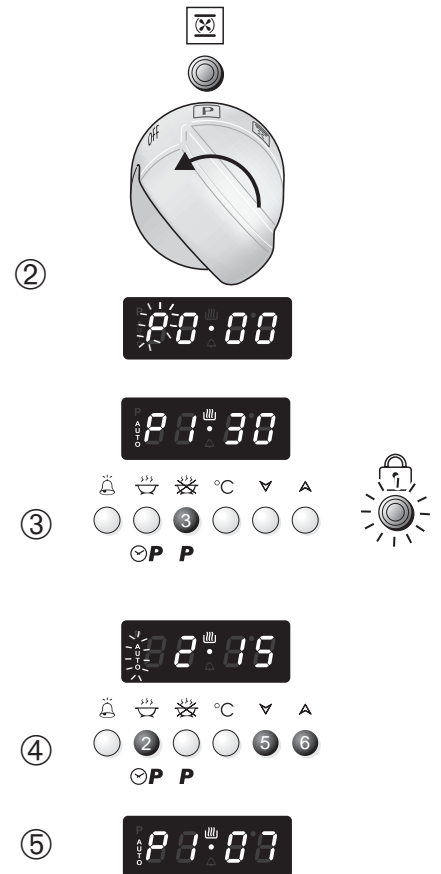
HOW TO START THE SELF CLEANING CYCLE

Important: the self cleaning cycle must only be performed with the oven empty; so, before starting the cycle take all the accessories (shelves, drip tray, ...) out of the oven cavity and dry any traces of overflowed liquid.
Do not use any degreasing products (e.g. degreasing sprays, detergents, etc.).

1. **Close the oven door** (if it is open or not closed properly the self cleaning cycle will not start).
2. **Turn the oven selector knob to the self cleaning position (P);** **P0•00** appears on the electronic programmer display with the letter **P** flashing.
3. **Press pushbutton 3 on the programmer** to start the cycle.
This combined confirmation operation offers greater safety when there are children; in fact turning the knob to the self cleaning function has no effect if key 3 of the programmer is not then pressed.
 - **P1•30** (self cleaning time, 1 hour and 30 minutes) appears and the door is locked after about 30 seconds;
 - On the control panel the pilot light with the key lights up to indicate that the door is locked.
4. To increase the self cleaning cycle time (max 5 hours) press key 2 of the programmer then key 6. To go backwards to the minimum of 1 hour and 30 minutes press key 2 then key 5.
 - During the setting **AUTO** flashes and **P** disappears.
5. The self cleaning cycle starts immediately and is completed in the programmed time.
 - Throughout the self cleaning cycle the programmer displays the time (hours and min-

VERY IMPORTANT:

The self cleaning cycle only starts with the oven door closed. If the door is open or not closed properly the oven **CANNOT** perform the self cleaning cycle; electronic safety devices prevent the self cleaning cycle from starting.



PROBLEMS ON STARTING AND DURING THE SELF CLEANING CYCLE



1. Steady door

The function selector has been turned to the self cleaning position with the oven door open or not perfectly closed. Or the door has been opened before the cycle has been started with confirmation from key 3

What to do:

Close the door and repeat previous cycle.

- If after 5 minutes the door has not been closed **door flashes and an audible signal sounds for 30"**.

What to do:

Close the door, press any programmer key to silence the audible signal and repeat the operations to start the cycle.



2. door with AUTO flashing

The oven door has been opened after the self cleaning cycle has started (before locking the door). The self cleaning cycle is zeroed.

What to do:

1. Close the door. **P0•00** appears on the electronic programmer display with the letter **P** and **AUTO** flashing.
2. Turn the function selector to **OFF** and repeat the operations to start the cycle.

- If after 5 minutes the door has not been closed **door flashes and an audible signal sounds for 30"**.

What to do:

Close the door, press any programmer key to silence the audible signal and repeat the operations to start the cycle.



3. F0.00 with AUTO flashing

The self cleaning cycle has been stopped and then started again when it was quite a way through. The message is displayed after about 10 minutes and the self cleaning cycle is zeroed.

What to do:

1. Put the switch to **OFF**.
2. Wait for at least 15 minutes.
3. Repeat the operations to start the self cleaning cycle.
4. If after several attempts the message continues contact the AVANTI Service Centre.

Caution: It is advisable not to stop the self cleaning cycle and then start it again when it is quite a way through.



HOW TO STOP THE SELF CLEANING CYCLE

1. Turn the function selector to OFF (oven OFF)

- If the oven cavity temperature is higher than 570 °F (300 °C)

- 1a. The time of day appears steadily on the programmer display.
 1b. When the oven cavity temperature drops below 570 °F (300 °C):
- **OFF** appears on the programmer display again
 - the key pilot light goes out
 - the door unlocks and can be opened

- If the oven cavity temperature is lower than 570 °F

- 1c. The time appears on the programmer display
 1d. After a technical time:
- the key pilot light goes out
 - the door unlocks and can be opened

IMPORTANT: Wait for the oven to cool down completely before starting a cooking function.

ACCIDENTAL INTERRUPTION OF THE SELF CLEANING CYCLE

2. The function selector has been turned to any cooking function

- If the oven cavity temperature is higher than 570 °F (300 °C)

- 2a. The time of day appears steadily on the programmer display.
 2b. When the oven cavity temperature drops below 570 °F (300 °C):
- **OFF** appears on the programmer display
 - when key pilot light goes out (after some minutes) the door unlocks and can be opened
- 2c. To reset normal conditions turn the function selector to **OFF** (oven OFF). The time appears on the programmer display.

- If the oven cavity temperature is lower than 570 °F (300 °C)

- 2d. Pre-set temperature of the selected function appears on the programmer display.
 2e. After a technical time:
- the key pilot light goes out
 - the door unlocks and can be opened
- 2f. To reset normal conditions turn the function selector to **OFF** (oven OFF). The time appears on the programmer display.

IMPORTANT: Wait for the oven to cool down completely before starting a cooking function.

WHAT TO DO WHEN THE SELF CLEANING CYCLE HAS FINISHED

1. P0.00 with AUTO flashing.

Wait for the oven to cool down and the door to unlock.

The self cleaning cycle has finished. **P0.00** will remain until the door is unlocked. The door remains locked until the cavity temperature has dropped below 570 °F (300°C).

2. The light with the key symbol goes out (when the temperature has dropped below 570 °F - 300 °C).

AUTO and the letter P flash.

The door is unlocked and can be opened.

3. Turn the function selector knob to OFF (oven OFF).

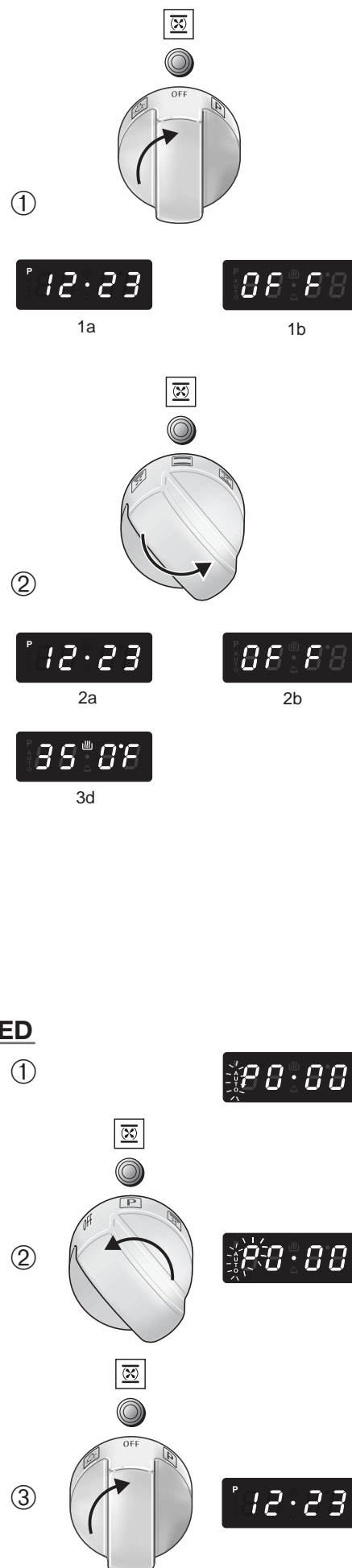
The time appears on the programmer display.

4. Wait for the oven to cool down completely.

5. Remove the pulverised dirt.

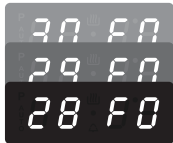
Open the oven door and remove the residue of pulverised dirt inside the oven with a damp cloth.

IMPORTANT: Before switching the oven on again in any function wait for the appliance to cool down completely.



ABNORMAL SITUATIONS AND/OR OPERATION PROBLEMS

during cooking or the self cleaning cycle.



1. 30 F0 or 30 F1 appear during the cooking or self cleaning cycle

Oven temperature sensor broken or not working properly. The cooling fan stays on and if the self cleaning cycle is in progress the door remains locked.

What to do:

1. Turn the oven function selector to **OFF** (oven OFF). A 30 minute countdown will start. If the selector is turned and then returned to **OFF** the count will start again from 30.
2. Wait for the countdown to finish.
The fan switches off and the door, if locked, unlocks.
3. Disconnect the oven from the mains and contact the AVANTI After-Sales Service Centre because the oven can no longer be used.

Caution: If the function selector is not turned to **OFF** (oven OFF), the cooling fan will continue to work and the oven door, if locked, remains locked.

2. F0.00 appears during the self cleaning cycle

This indicates a temperature sensor measurement error during the self cleaning cycle. This may be due to the self cleaning cycle being stopped and started again when it was quite a way through.

What to do:

1. Turn the oven selector knob to **OFF** (oven OFF).
2. Wait for at least **15 minutes** before repeating the operations to start the self cleaning cycle.
3. If the message is still given after several attempts call the AVANTI After-Sales Service.

3. Display OFF - Oven not working properly.

What to do:

1. Turn the function selector to **OFF** (oven OFF)
2. Wait for the oven to cool down completely so that the door opens
3. Switch the range off for a few seconds.


If after this procedure the display is still off:

4. Disconnect the range from the mains.
5. Call the AVANTI Service Centre. The range must not be used.

COOKING ADVICE

STERILIZATION

Sterilization of foods to be conserved, in full and hermetically sealed jars, is done in the following way:

- Turn the switch to position .
- Set the thermostat knob to position 350 °F (175 °C) and preheat the oven.
- Fill the grill pan with hot water.
- Set the jars into the grill pan making sure they do not touch each other and the door and set the thermostat knob to position 260 °F (130 °C).

When sterilization has begun, that is, when the contents of the jars start to bubble, turn off the oven and let cool.

REGENERATION

Turn the switch to position  and set the temperature to 300 °F (150 °C).


Bread becomes fragrant again if wet with a few drops of water and put into the oven for about 10 minutes.

ROASTING

To obtain classical roasting, it is necessary to remember:

- the pre-set temperature should be maintained
- that the cooking time depends on the quantity and the type of foods.

COOKING DIFFERENT DISHES AT THE SAME TIME

The MULTIFUNCTION oven at positions  of the function selector can cook various different foods at the same time. Fish, cakes and meat can be cooked together without the smells and flavours mixing.

The only precautions required are the following:

- The cooking temperatures must be as close as possible with a maximum difference of 70-80 °F (20-25 °C) between the different foods.
- Different dishes must be placed in the oven at different times according to the cooking time required for each one. This type of cooking obviously provides a considerable saving on time and energy.

VENTILATED BROILING AND “AU GRATIN”

Broiling may be done by selecting  or  with the function selector knob, because the hot air completely envelops the food that is to be cooked.

Set the temperature if a temperature different from the pre-set one is required.

Introduce the food to be cooked, positioning the grill pan as close to the infra-red element as possible.

Close the door and let the oven operate until broiling is done.

Adding a few dabs of butter before the end of the cooking time gives the golden “au gratin” effect.

Broiling with the oven door closed.

IMPORTANT: Use always special handles supplied with the appliance to insert/remove the grill-pan from the oven (see next page)

BROILING

Set the function selector knob to position .

Set the temperature if a temperature different from the pre-set one is required.

Leave to warm up for approximately 5 minutes with the door **closed**.

Introduce the food to be cooked, positioning the grill pan as close to the infra-red element as possible.

Broiling with the oven door closed.

IMPORTANT: Use always special handles supplied with the appliance to insert/remove the grill-pan from the oven (see next page)



WARNING!!

**KEEP ATTENTION
MOST IMPORTANT**

**It is advisable to handle
the oven accessories
using oven gloves.**

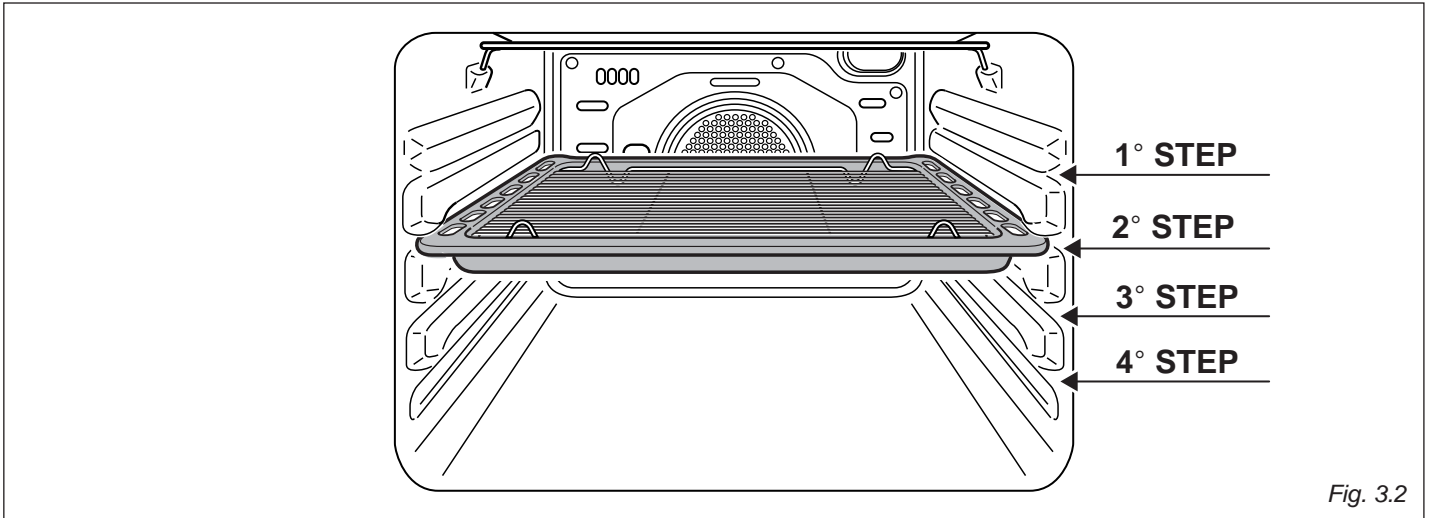


Fig. 3.2

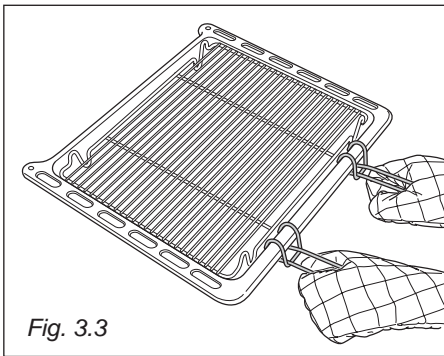


Fig. 3.3

USING THE GRILL PAN FOR BROILING

- Set the function selector knob to broil position as explained in the preceding paragraphs and let the broil element preheat for about 5 minutes with the door closed.
- Place the food to be cooked above the grill-pan grid.
- Introduce the grill-pan (tray + grid) in the oven (fig. 3.3) and insert it on the first or second level from the top (fig. 3.2).

Do not broil without using the grill pan.

Important: Use always special handles supplied with the appliance to insert/remove the grill-pan from the oven (figs. 3.3, 3.4, 3.5).

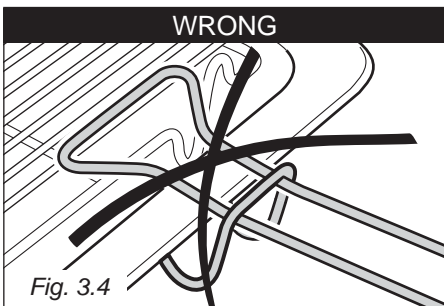


Fig. 3.4

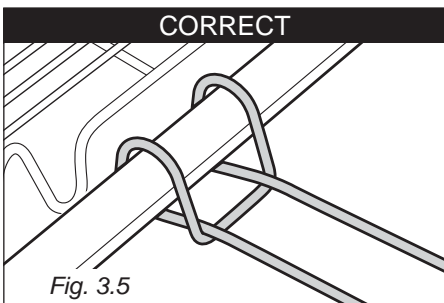








Fig. 3.5

The electronic programmer is a device which groups together the following functions:

- 12 hours clock with illuminated display (P on the display for PM time indication).
- Timer (up to 23 hours and 59 minutes).
- Program for semi-automatic oven cooking.
- Program for automatic oven cooking.
- Management of the cooking functions. The programmer can manage setting the temperature in the various cooking functions.
- Management of the self cleaning function.

Description of the pushbuttons:

-  Timer (1)
-  Cooking time or self cleaning time (2)
-  End of cooking time or allowance to start self cleaning cycle (3)
-  Setting oven temperature (4)
-  Countdown of the figures of all the functions or of the temperature to be set (5)
-  Advance of the figures of all the functions or of the temperature to be set (6).

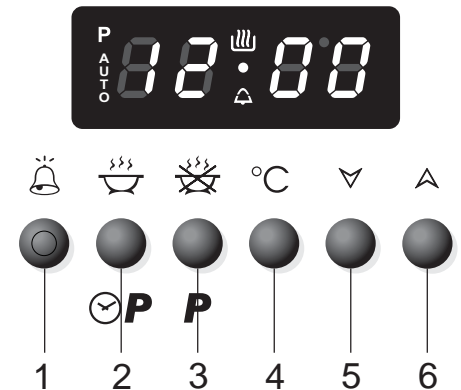




Fig. 4.1

Description of the light symbols:

- AUTO** Indicates that a program has been set
-  Indicates that the heating elements are working
-  Indicates that the timer is working
- P** Indicates PM time

ON SWITCHING ON FOR THE FIRST TIME OR AFTER A BLACK-OUT

After the appliance has been connected to the mains or after there has been a black-out the programmer must be activated so that it can work.

12:00 flashes on the display.

1. Press keys 2 and 3 at the same time.
The programmer starts to work.



SETTING THE TIME

The programmer has an electronic clock (12 hours) with luminous figures which indicate hours and minutes.

Note: Setting the clock will zero any programmes in progress or set.

1. Press pushbuttons 2 and 3 at the same time.
2. Press pushbuttons 5 or 6 until the exact time is set. During this phase the dot between hours and minutes will flash on the display. If the plus or minus keys are kept pressed for a few seconds, the figures will scroll more quickly.
P on the display indicates PM time.



AUDIBLE SIGNAL

The intermittent audible signal, duration 30 seconds, sounds when the timer or semi-automatic or automatic cooking have reached the end of the time set. It also sounds to signal that the door is open (see oven use chapters).

To silence the audible signal press any of the programmer keys

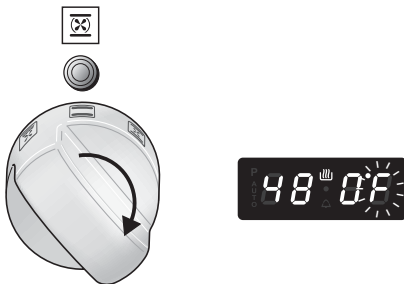


TIMER

The timer function is only used to count the time and does not influence oven operation or any programmes which are in progress or set.

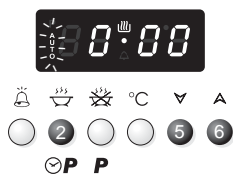
1. Press pushbutton 1. The bell symbol will start to flash.
2. Press keys 5 or 6 to set the time required.
3. The countdown starts immediately. The bell symbol stops flashing and the time appears again.
4. To see the countdown press pushbutton 1. The time will be indicated in hours and minutes; the seconds are only indicated for the last minute.
5. At the end of the countdown an audible signal sounds and the bell symbol on the display flashes.
Press any pushbutton to stop the audible signal.

IMPORTANT WARNING: This function is only an electronic alarm and does not switch OFF the oven. Remember to turn OFF manually the selector knob at the end of the countdown.



SEMI-AUTOMATIC COOKING

Start immediate cooking and switch the oven off automatically after the programmed cooking time.



Setting

1. Set the cooking function by turning the oven selector to the function required.
2. The cooking temperature appears on the display. To change it proceed as described in the Setting the cooking chapter
3. Press pushbutton 2. **AUTO** starts to flash and **0.00** appears.
4. Press pushbuttons 5 or 6 to set the cooking time (cooking time in hours and minutes: set it to ten minutes less than the time required because the stored heat will complete the cooking).
5. On the display **AUTO** becomes steady and the cooking programme starts.



During cooking

6. During the cooking cycle, the display shows the oven temperature measured by the probe or pre-setted temperature.
Press key 2 to display the time remaining until the end of cooking.
The cooking time and temperature can be varied at any time, as described above.



At the end of cooking

7. **End** appears on the display, **AUTO** flashes and the audible signal sounds. The cooking cycle has finished and the oven is OFF.
8. Press any programmer pushbutton to stop the audible signal.
9. **OFF** appears (oven OFF).
10. Turn the function selector to **OFF** (oven OFF).
11. The programmer display shows the time.



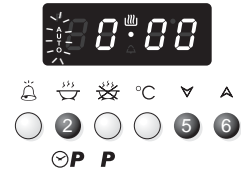
Note: At the end of the programme always turn the function selector knob to OFF (oven OFF).

AUTOMATIC COOKING

Start cooking at the programmed time and switch the oven off automatically after the programmed cooking time.

Setting

1. Set the cooking function by turning the oven selector to the function required.
2. The cooking temperature appears on the display. To change it proceed as described in the Setting the cooking chapter.
3. Press pushbutton 2. **AUTO** starts to flash and **0.00** appears.
4. Press pushbuttons 5 or 6 to set the cooking time (cooking time in hours and minutes: set it to ten minutes less than the time required because the stored heat will complete the cooking).
5. On the display **AUTO** becomes steady and the cooking programme starts.
6. Press pushbutton 3 (**AUTO** starts to flash).
7. Press pushbuttons 5 or 6 to set the time when the cooking should finish.
The values set must be correct; e.g. if it is 08:00 a cooking time of 3 hours, ending at 10:00, cannot be set. In this case the programmer automatically sets the end of cooking time for 11:00.
8. On the display **AUTO** becomes steady and the time appears again. The cooking symbol goes out.



Starting cooking

9. The pan symbol lights up. The oven switches on and the cooking cycle set starts.

During cooking

10. During the cooking cycle, the display shows the oven temperature measured by the probe or pre-setted temperature.
Press key 2 to display the length of cooking set.
Press key 3 to display when the cooking will finish.
The cooking time, end of cooking time and cooking temperature can be varied at any time, as described above.



At the end of cooking

11. **End** appears on the display, **AUTO** flashes and the audible signal sounds.
The cooking cycle has finished and the oven is OFF.
13. Press any pushbutton to stop the audible signal.
14. **OFF** appears (oven OFF).
15. Turn the function selector to **OFF** (oven OFF).
16. The programmer display shows the time.



Note: At the end of the programme always turn the function selector knob to **OFF** (oven OFF).

IMPORTANT: During **AUTOMATIC COOKING PROGRAM** the oven light is always on, also before starting (heating elements on or cycling) of the programmed cooking.

CANCELLING A SET PROGRAMME

To cancel any programme just turn the function selector to **OFF** (oven OFF).

Note: if during a set programme the function selector is turned to **OFF** (oven OFF), **SELF CLEANING** or **oven lighting**, the programme is cancelled.

EXAMPLES OF PROGRAMMING AUTOMATIC COOKING

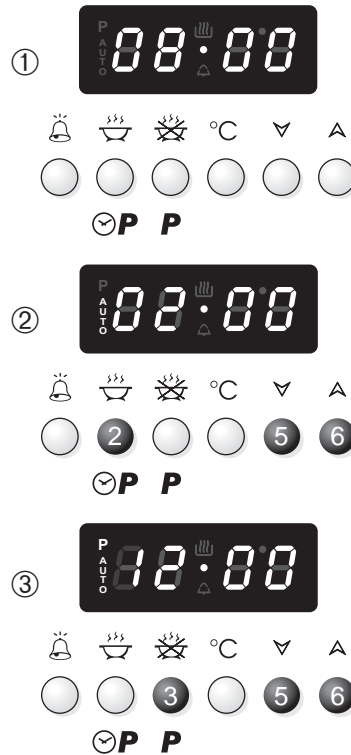
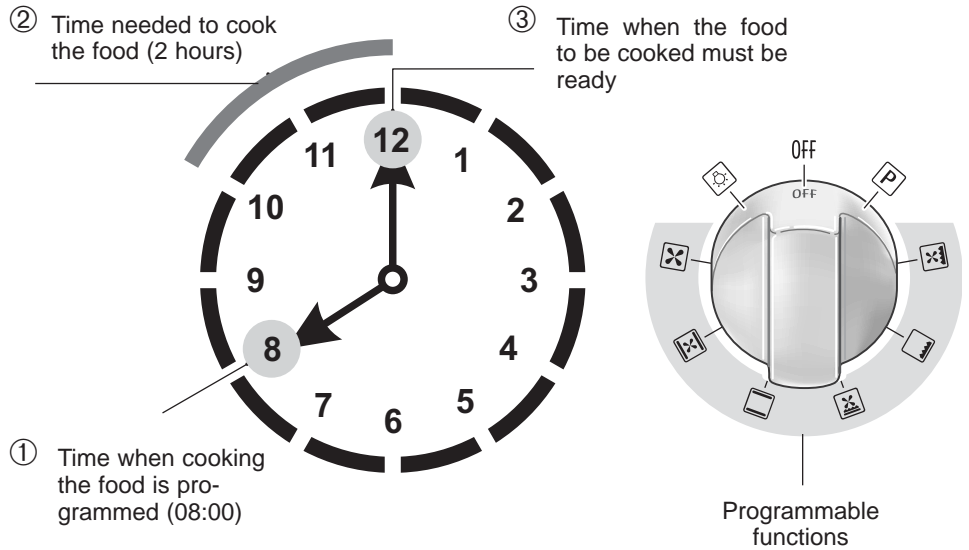


Fig. 4.2

GENERAL RECOMANDATION

- ✓ **Important: Before any operation of cleaning and maintenance disconnect the appliance from the electrical supply.**
- ✓ It is advisable to clean when the appliance is cold and especially for cleaning the enamelled parts.
- ✓ Avoid leaving alkaline or acidic substances (lemon juice, vinegar, etc.) on the surfaces.
- ✓ Avoid using cleaning products with a chlorine or acidic base.

The oven must always be cleaned after every use, using suitable products and keeping in mind that its operation for 30 minutes on the highest temperature eliminates most grime reducing it to ashes.

ENAMELLED PARTS

- ✓ All the enamelled parts must be cleaned with a sponge and soapy water only or other non-abrasive products.
Dry preferably with a chamois leather.

STAINLESS STEEL SURFACES WITH ANTI-FINGERPRINT TREATMENT (COATED)

CAUTION

- ✓ The STAINLESS STEEL front surfaces used in this range are protected with a Special Lacquer to reduce finger-print marks.

To avoid damaging this lacquer, do not clean the stainless steel with abrasive cleaners or abrasive cloths or scouring pads.

ONLY SOAP/WARM WATER MUST BE USED TO CLEAN THE STAINLESS STEEL SURFACES.

STAINLESS STEEL SURFACES (UNCOATED)

The hob + sides are made from uncoated stainless steel.
Can be cleaned with an appropriate stainless steel cleaner.

INSIDE OF OVEN

This must be cleaned regularly.

With the oven warm, wipe the inside walls with a cloth soaked in very hot soapy water or another suitable product.

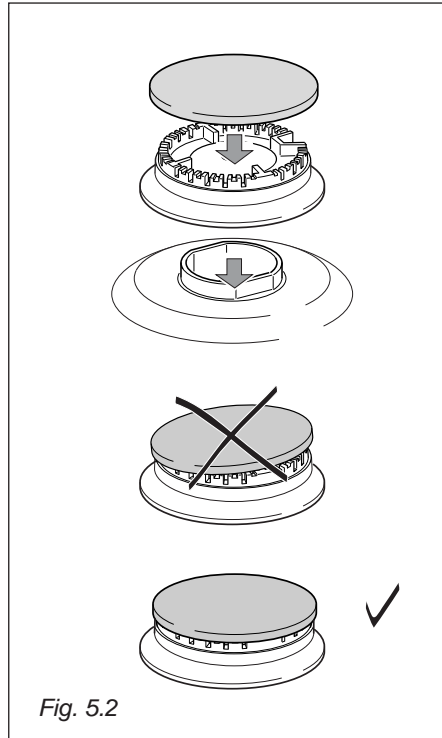
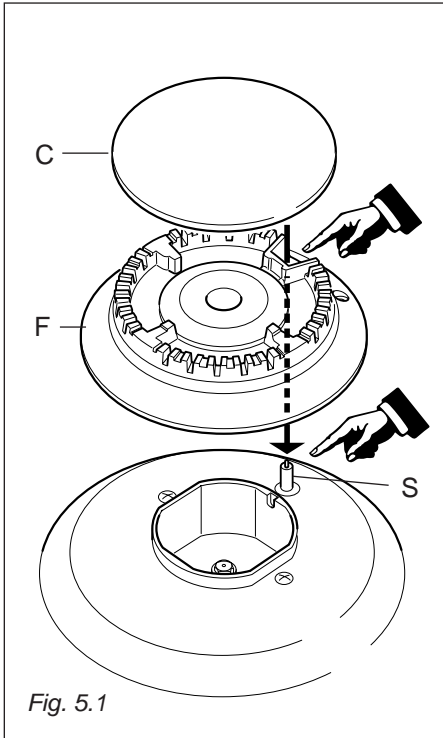
BURNERS AND GRIDS

- ✓ These parts can be removed and cleaned with appropriate products.
- ✓ After cleaning, the burners and their flame distributors must be well dried and correctly replaced.
- ✓ It is very important to check that the burner flame distributor and the cap has been correctly positioned - failure to do so can cause serious problems.
- ✓ In appliances with electric ignition keep the electrode clean so that the sparks always strike.
- ✓ **Note: To avoid damage to the electric ignition do not use it when the burners are not in place.**

WARNING VERY IMPORTANT

Before any operation of maintenance disconnect the appliance from the electrical mains supply.

Do not use steam jet cleaners because the humidity could infiltrate into the appliance making it dangerous.



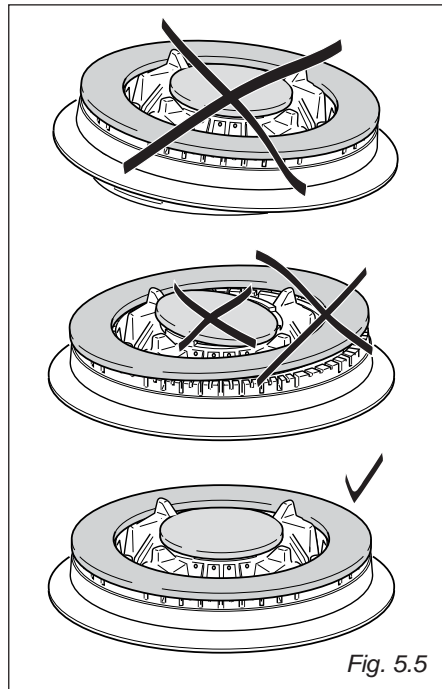
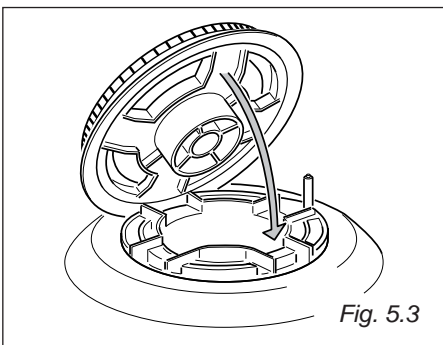
CORRECT REPLACEMENT OF THE BURNERS

It is very important to check that the burner flame spreader "F" and the cap "C" have been correctly positioned (see figs. 5.1 and 5.2).

Failure to do so can cause serious problems.

In appliances with electric ignition, check that the electrode "S" (fig. 5.1) is always clean to ensure trouble-free sparking.

The ignition plug must be very carefully cleaned.

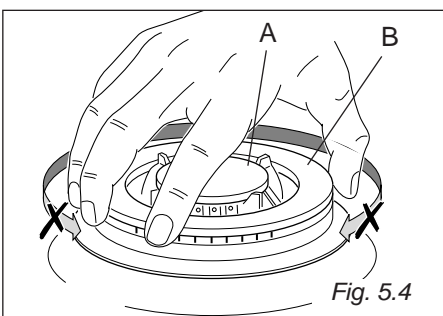


CORRECT POSITION OF TRIPLE RING BURNER

The triple ring burner must be correctly positioned (see fig. 5.3); the burner rib must be fitted in their housing as shown by the arrow.

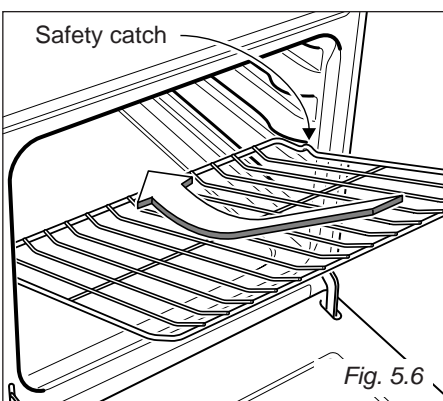
The burner correctly positioned must not rotate (fig. 5.4).

Then position the cap A and the ring B (fig. 5.4 - 5.5).



GAS VALVES

✓ In the event of operating faults in the gas valves, call the AVANTI Service Department.



OVEN SHELF INSTALLATION AND REMOVAL

The oven shelves are provided with a security block to prevent accidental extraction. They must be inserted operating as per figure 5.6.

To pull them out remove shelf in the inverse order.

Keep attention to insert the shelves correctly (see side figure).

REPLACING THE OVEN LIGHT (fig. 5.7)

Before any maintenance is started involving electrical parts of the appliance, it must be disconnected from the power supply.

- Let the oven cavity and the heating elements cool down;
- Switch off the electrical supply;
- Remove the protective cover (fig. 5.7);
- Unscrew and replace the bulb with a new one suitable for high temperatures (300°C) having the following specifications: 120V, 60 Hz, 25W, E14
- Refit the protective cover

NOTE: Oven bulb replacement is not covered by your guarantee

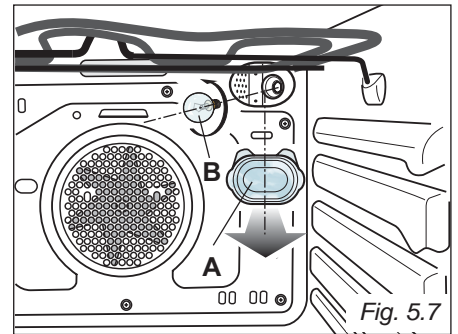


Fig. 5.7

DRAWER

The drawer (fig. 5.8) comes out like a normal drawer. A safety catch stops it from sliding out.

To remove the drawer open and lift it.

Do not store flammable material in the oven or in the drawer.

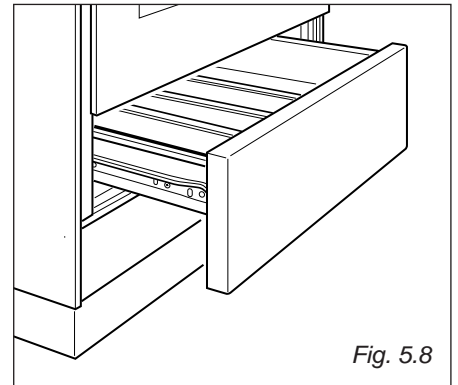


Fig. 5.8

REMOVING THE OVEN DOOR

The oven door can easily be removed as follows:

- Open the door to the full extent (fig. 5.9a).
- Open the lever "A" completely on the left and right hinges (fig. 5.9b).
- Hold the door as shown in fig. 5.9.
- Gently close the door (fig. 5.9) until left and right hinge levers "A" are hooked to part "B" of the door (fig. 5.9b)
- Withdraw the hinge hooks from their location following arrow "C" (fig. 5.9d).
- Rest the door on a soft surface.
- To replace the door, repeat the above steps in reverse order.

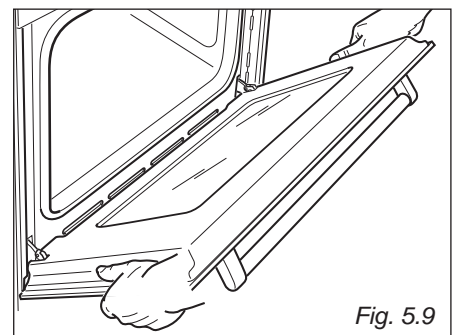


Fig. 5.9

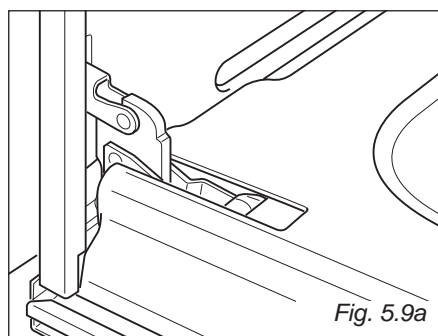


Fig. 5.9a

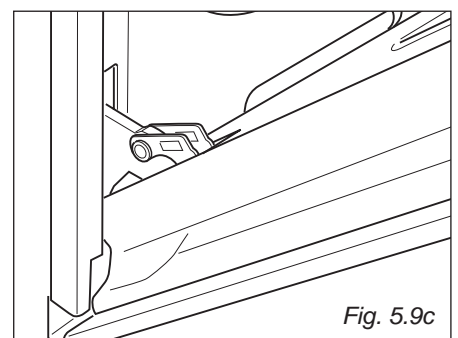


Fig. 5.9c

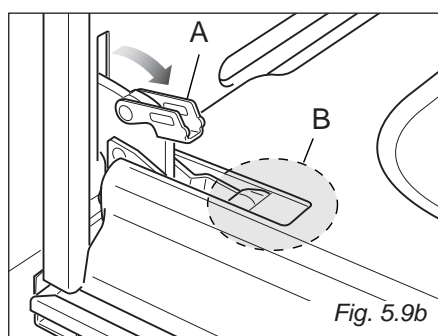


Fig. 5.9b

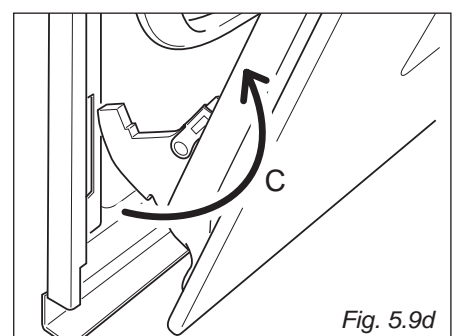


Fig. 5.9d

DO'S AND DO NOT'S

- Do always use the oven with the door closed.
- Do read the user instructions carefully before using the range for first time.
- Do allow the oven to heat for about two hours, before using for the first time, in order to expel any smell from the new oven insulation, without the introduction of food.
- Do clean your oven regularly.
- Do remove spills as soon as they occur.
- Do always use oven gloves when removing food shelves and trays from the oven.
- Do not allow children near the range when in use.
- Do not allow fat or oils to build up in the oven base, or oven accessories.
- Do not place cooking utensils or plates directly onto the oven base.
- Do not place hot enamel parts in water. Leave them to cool first.
- Do not allow vinegar, coffee, milk, saltwater, lemon or tomato juice to remain in contact with enamel parts (i.e. inside the oven).
- Do not use abrasive cleaners or powders that will scratch the surface of the stainless steel and the enamel.
- Do not attempt to repair the internal workings of your range.
- Do remove the protective film before the first use.
- Fire risk! Do not store flammable material in the oven and in the drawer.

FOR YOUR SAFETY

Under no circumstances should any external covers be removed for servicing or maintenance except by suitably qualified personnel

WARRANTY – SELF CLEANING DUAL FUEL RANGE

LENGTH OF WARRANTY	WE WILL PAY FOR
<p>FULL ONE-YEAR WARRANTY FROM DATE OF PURCHASE ON ALL PARTS EXCEPT GLASS PARTS IN RENTAL OR COMMERCIAL USE, THE WARRANTY PERIOD IS 90 DAYS.</p>	<p>REPLACEMENT PARTS AND REPAIR LABOR TO CORRECT DEFECTS IN MATERIALS OR WORKMANSHIP. SERVICE MUST BE PROVIDED BY AN AUTHORIZED SERVICE COMPANY.</p>
<p>FULL 30-DAY WARRANTY FROM DATE OF PURCHASE ON GLASS PARTS AND FINISH OF PORCELAIN ENAMEL, PAINTED OR BRIGHT METAL FINISHED PARTS.</p>	<p>REPLACEMENT PARTS AND REPAIR LABOR TO CORRECT DEFECTS IN MATERIAL OR WORKMANSHIP. SERVICE MUST BE PROVIDED BY AN AUTHORIZED SERVICE COMPANY.</p>
WE WILL NOT PAY FOR	
<p>A. Service calls to:</p> <ol style="list-style-type: none"> 1. Correct the installation of your range. 2. Instruct you how to use your range. 3. Replace house fuses or correct house wiring. 4. Replace owner-accessible light bulbs. <p>B. Pickup and delivery. Your range is designed to be repaired in the home.</p> <p>C. Damage to your range caused by accident, misuse, fire, flood, acts of God, or use of products not mentioned in this manual.</p> <p>D. Repairs to parts or systems caused as a result of unauthorized modifications made to the appliance.</p> <p>E. Repairs when your range is used in other than normal, single-family household use.</p>	

AVANTI PRODUCTS SHALL NOT BE LIABLE FOR INCIDENTAL OR CONSEQUENTIAL DAMAGES.

Some states do not allow the exclusion or limitation of incidental or consequential damages, so this exclusion or limitation may not apply to you. This warranty gives you specific legal rights, and you may also have other rights that vary from state to state.

This warranty is not valid outside the Continental United States.

The manufacturer cannot be held responsible for possible inaccuracies due to printing or transcription errors in the present booklet.
 The manufacturer reserves the right to make all modifications to its products deemed necessary for manufacture or commercial reasons at any moment and without prior notice, without jeopardising the essential functional and safety characteristics of the appliances.

COCINA DE COMBUSTIBLE DOBLE

para uso doméstico únicamente

DGE 2403 SC

- INSTRUCCIONES DE FUNCIONAMIENTO PARA USUARIOS

IMPORTANTE – LE ROGAMOS LEER Y RESPETAR LO SIGUIENTE



ENGLISH

ESPAÑOL

IMPORTANTE - LEER CUIDADOSAMENTE

- ✓ Antes de iniciar, lea cuidadosamente todas las instrucciones.
- ✓ No extraiga las etiquetas pegadas, advertencias o placas que han sido aplicadas al aparato, ya que puede invalidar la garantía.
- ✓ Respete todos los códigos locales y nacionales vigentes.
- ✓ El aparato debe estar dotado de un adecuada puesta a tierra.
- ✓ **El instalador debe dejar estas instrucciones al usuario que las debe guardar para el uso del inspector local y en caso de sucesivas consultas.**

La instalación debe ser conforme a los códigos locales o en ausencia de códigos, con la última edición de "National Fuel Gas Code ANSI Z223.1". La instalación eléctrica se debe efectuar conforme con el "National Electrical Code", ANSI/NFPA 70 - Última edición y/o demás códigos locales. EN CANADÁ: La instalación se debe efectuar de acuerdo con el actual "CAN/CGA-B149.1 National Gas Installation Code or CAN/CGA-B149.2" Código de instalación de propano y/o demás códigos locales. La instalación eléctrica se debe efectuar de acuerdo con el actual "CSA C22.1 Canadian Electrical Codes Part 1" y/o demás códigos locales.

INSTALACIÓN EN CASAS PREFABRICADAS (MÓVILES): La instalación debe efectuarse en conformidad con "Home Construction and Safety Standard, Title 24 CFR, Part 3280" [anteriormente "Federal Standard for Mobile Home Construction and Safety, Title 24, HUD (Part 280)"] o, cuando dicha norma no sea aplicable, en conformidad con "Standard for Manufactured Home Installations, ANSI/NCSBCS A225.1", o con códigos locales cuando sea aplicable.

INSTALACIÓN EN CARAVANAS DE PARQUES DE ATRACCIONES: la instalación debe efectuarse en conformidad con los códigos del estado u otros, en ausencia de dichos códigos, con el "Standard for Recreational Park Trailers, ANSI A119.5".

La instalación de cualquier equipamiento alimentado con gas debe ser realizada por un plomero cualificado. Debe instalarse una válvula de cierre manual en la línea de suministro principal de gas situada antes del aparato en el flujo del gas para garantizar la seguridad y facilitar las operaciones de mantenimiento.

Si se utiliza una fuente eléctrica externa, el aparato, durante la instalación, debe contar con una toma de tierra según establecen los códigos locales o, en ausencia de códigos locales, en conformidad con el "national Electrical Code, ANSI/NFPA 70".

La cocina se suministra con una película de protección aplicada en las partes de acero y de aluminio. Quite la película antes de instalar/usar el aparato.



ADVERTENCIA

- TODAS LAS COCINAS PUEDEN VOLCARSE
- PUEDEN CAUSAR DAÑOS A PERSONAS
- INSTALAR EL DISPOSITIVO ANTIVUELCO EMBALADO CON LA COCINA
- CONSULTAR LAS INSTRUCCIONES PARA LA INSTALACIÓN

ADVERTENCIAS: SI LA INFORMACIÓN EN ESTE FOLLETO NO SE RESPETA EXACTAMENTE, SE PUEDEN PROVOCAR INCENDIOS O EXPLOSIONES CON DAÑOS, INCLUSIVE FATALES, A PERSONAS Y COSAS.

- ✓ No almacene o utilice gasolina u otros vapores y líquidos inflamables cerca de este o cualquier otro aparato.
- ✓ **QUÉ HACER EN CASO DE FUGAS DE GAS:**
 - No encienda ningún aparato.
 - No toque ningún interruptor eléctrico; no utilice ningún teléfono de su casa.
 - Llame inmediatamente a su proveedor de gas usando el teléfono de un vecino.
Siga las instrucciones de su proveedor de gas.
 - Si no consigue contactar a su proveedor de gas, llame a los bomberos.
- ✓ La instalación y el mantenimiento deben ser efectuadas por un instalador cualificado, agencias de servicio o el proveedor de gas.

Estimado Cliente,

Gracias por la confianza demostrada en la compra de nuestro producto.

Las medidas de seguridad y consejos descritos están finalizados a proteger su seguridad y la del próximo. Permitirán también aprovechar al máximo las características de su aparato.

Por lo tanto guarde este folleto cuidadosamente. Le podrá servir un futuro a Ud. o a los demás en caso de dudas relativas al funcionamiento del aparato.

Este aparato se debe utilizar sólo para la finalidad expresa para la cual ha sido diseñado, es decir cocinar comida. Cualquier otro uso se debe considerar inapropiado y por lo tanto peligroso.

El fabricante declina toda responsabilidad en caso de daños causados por uso impropio, incorrecto o irrazonable del aparato.

INSTRUCCIONES DE USO

INFORMACIÓN GENERAL



¡¡CUIDADO!!

1. El aparato no debe ser utilizado como estufa, por motivos de seguridad.
2. Todas las aberturas en la pared detrás del aparato y en el piso debajo del mismo se deberán sellar.
3. Mantenga el área del aparato despejada y libre de combustibles, gasolina o vapores inflamables.
4. No tape el flujo de la combustión y el aire de ventilación.
5. Desconecte el suministro eléctrico del aparato antes de efectuar el mantenimiento.
6. Al retirar el aparato para efectuar su limpieza y/o el mantenimiento:
 - A. Cierre el suministro de gas;
 - B. Desconecte la alimentación de CA
 - C. Desconecte el suministro de gas en la tubería de entrada.
 - D. Levante con cuidado el aparato del espacio previsto en el mueble**CUIDADO:** Preste atención durante la manipulación.
7. **Requisito Eléctrico**
La instalación eléctrica debe estar conforme con los códigos nacionales y locales.
8. **Suministro de Aire y Ventilación**
El instalador debe atenerse a los códigos locales y nacionales.
9. **Presión del Suministro de Gas**
Gas natural - 4.0" W.C.P.
LP/Propano - 11.0" W.C.P.
10. El uso incorrecto de la puerta del horno (o sea pisarla, sentarse o apoyarse en ella) puede provocar riesgos potenciales y/o causar daños.
11. Durante la instalación o remoción de la cocina para repararla, use un gato elevador de rodillos. No empuje los bordes de la cocina para intentar deslizarla dentro o fuera de la instalación. Empujando o tirando de la cocina (en lugar de usar un gato elevador) aumentan también las posibilidades de doblar los pivotes de los pies o los conectores de acoplamiento internos.



¡¡CUIDADO!!

INSTRUCCIONES DE LA PUESTA A TIERRA

La cocina debe contar con una toma de tierra eléctrica según los códigos locales o, en ausencia de códigos locales, en conformidad con el "National Electrical Code, ANSI/NFPA No. 70" - última edición. Un electricista cualificado debe realizar la instalación.

ESTE APARATO DEBE ESTAR DOTADO DE UNA ADECUADA PUESTA A TIERRA POR RAZONAS DE SEGURIDAD.

Si se utiliza una fuente eléctrica externa, la instalación debe contar con una toma de tierra según establecen los códigos locales o, en ausencia de códigos locales, en conformidad con el "national Electrical Code, ANSI/NFPA 70".

Este aparato está dotado de una clavija tripolar con puesta a tierra y protección contra sacudidas y debe estar enchufada directamente a una toma con puesta a tierra. No corte o extraiga la puesta a tierra de la clavija.

Bajo ninguna razón corte o extraiga o corte el tercer terminal (tierra) de la clavija de conexión.

SUSTITUCIÓN DE PARTES

Se pueden usar únicamente recambios autorizados para la reparación de la cocina. Puede localizar los recambios en distribuidores de recambios autorizados. Póngase en contacto con el distribuidor de recambios AVANTI más cercano en su zona.

RECOMENDACIONES Y PRECAUCIONES IMPORTANTES

Tras haber desembalado el aparato, asegúrese de que no esté estropeado.

En caso de duda, no lo use y consulte a su distribuidor o a un técnico cualificado profesional.

No deje los elementos que componen el embalaje (e.j: bolsas de plástico, espuma de poliestireno, clavos, flejes, etc) al alcance de los niños ya que pueden causar graves daños.

El material del embalaje es reciclable y está marcado con el símbolo de reciclaje .

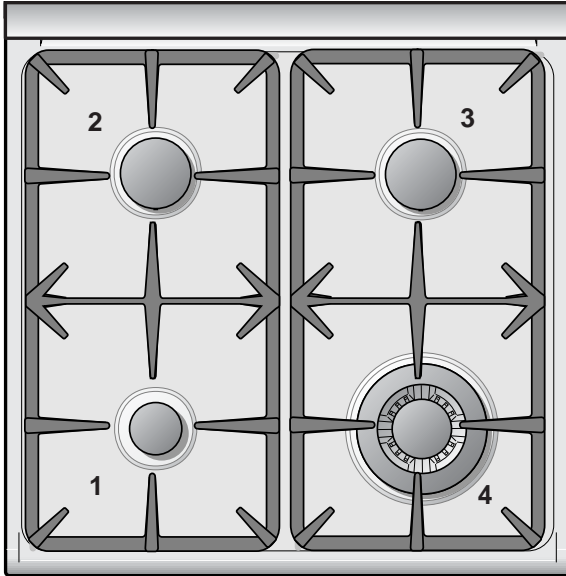
- ✓ No intente modificar las características técnicas del aparato ya que puede resultar peligroso durante el uso.
- ✓ No efectúe operaciones de limpieza o mantenimiento en el aparato sin haberlo previamente desenchufado de la corriente.
- ✓ Después del uso, asegúrese de que los mandos estén en la posición **OFF**.
- ✓ No permita a niños o a personas discapacitadas usar el aparato sin supervisión.
- ✓ Durante y después del uso de la cocina, algunas partes se calientan enormemente. No toque las partes calientes.
- ✓ Mantenga a los niños alejados de la cocina cuando está funcionando.
- ✓ Esta cocina se suministra con una película de protección aplicada en las partes de aluminio y acero. Quite la película antes de instalar/usar el aparato.
- ✓ **¡Riesgo de incendio!** No almacene material inflamable en el horno ni en el cajón.
- ✓ Asegúrese de que los cables eléctricos que conectan otros aparatos en las proximidades de la cocina no pueden entrar en contacto con la placa de la cocina o quedar atrapados en la puerta del horno.
- ✓ No forre las paredes del horno con papel de aluminio. No sitúe parrillas, bandeja para grasa, moldes u otros utensilios de cocina en la base de la cámara del horno.
- ✓ El fabricante declina cualquier responsabilidad por los daños causados a personas o por los desperfectos causados a cosas por un uso incorrecto o impropio del aparato.
- ✓ Para evitar cualquier posible riesgo, el aparato debe ser instalado por personal cualificado únicamente. Cualquier reparación realizada por personas no cualificadas puede producir una descarga eléctrica o un cortocircuito. Para evitar cualquier posible daño a su persona o al aparato, no intente efectuar reparaciones usted mismo. Dicho trabajo debe ser realizado por personal de mantenimiento cualificado únicamente.
- ✓ **¡Peligro de quemaduras!** El horno y los accesorios de cocina pueden calentarse enormemente durante el funcionamiento. Asegúrese de que los niños permanezcan alejados y adviértalos de ello consecuentemente. Para evitar quemaduras, use ropa de cocina y guantes para tocar partes o utensilios calientes.
- ✓ Permanezca alejado de la cocina al abrir la puerta del horno. El aire caliente o vapor que sale puede quemarle las manos, la cara y/o los ojos.
- ✓ No limpie nunca el horno con un dispositivo de limpieza de alta presión ya que puede provocar un cortocircuito.
- ✓ Este aparato ha sido concebido para un uso doméstico. ¡No use nunca el aparato para otros fines!
- ✓ Si decide no usar más este aparato (o decide sustituir un modelo antiguo), antes de tirarlo, le aconsejamos hacer que sea inservible de forma adecuada en conformidad con las normas de protección medio ambiental y de la salud, garantizando en particular que todas las partes potencialmente peligrosas sean inocuas, especialmente en relación a niños que podrían jugar con aparatos viejos.
Quite la puerta antes de la eliminación para evitar que alguien pueda quedar atrapado.

PRECAUCIONES Y RECOMENDACIONES IMPORTANTES PARA USAR APARATOS ELÉCTRICOS

Usar un aparato eléctrico requiere seguir una serie de reglas fundamentales. En particular:

- ✓ No toque nunca el aparato con las manos o los pies mojados;
- ✓ No haga funcionar el aparato descalzo;
- ✓ No permita que niños o personas discapacitadas usen el aparato sin su supervisión.

El fabricante no puede ser considerado responsable por cualquier daño causado por un uso impropio, incorrecto o irracional del aparato.



PLACA DE COCCIÓN

1. Quemador auxiliar (AUX) - 3500 BTU/hr
2. Quemador semirrápido izquierdo (SR) - 6000 BTU/hr
3. Quemador semirrápido derecho (SR) - 6000 BTU/hr
4. Quemador de tres filas (TR) - 12000 BTU/hr

Notas:

- El dispositivo de encendido eléctrico del está incorporado en los botones.

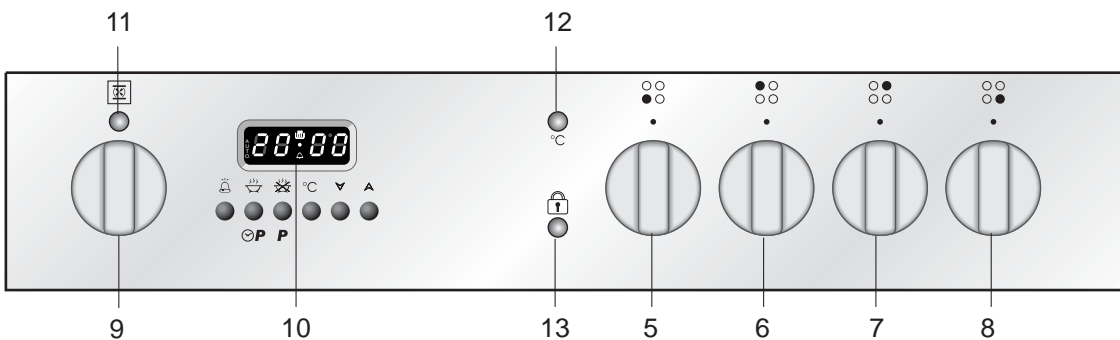
CUIDADO:

Si el quemador se apaga accidentalmente, apague la placa por medio del botón y espere al menos 1 minutos antes de encenderla de nuevo.

CUIDADO:

Las placas de cocción a gas generan calor y humedad en el ambiente en donde se han instalado. Compruebe que la zona de cocción esté bien ventilada conforme con los códigos nacionales y locales.

PANEL DE MANDOS



DESCRIPCIÓN DE LOS MANDOS

Mandos de la placa

- | | |
|---|-----|
| 5. Mando (1) quemador izquierdo delantero | ○ ○ |
| | ● ○ |
| 6. Mando (2) quemador izquierdo trasero | ● ○ |
| | ○ ○ |
| 7. Mando (3) quemador derecho trasero | ○ ● |
| | ○ ○ |
| 8. Mando (4) quemador derecho delantero | ○ ○ |
| | ○ ● |

Mandos del horno:

9. Mando selector funciones
10. Programador electrónico
11. Testigo línea
12. Testigo temperatura
13. Testigo puerta cerrada

QUEMADORES DE GAS

El flujo de gas que llega a los quemadores se regula girando los mandos (ilustrados en la fig. 2.1) que controlan las válvulas.

Al girar el mando para que el símbolo imprimido en el mismo mando coincida con el símbolo imprimido en el panel de control se producen las siguientes funciones:

- OFF** = válvula cerrada
- ★ **HI** = caudal máximo
- LO** = caudal mínimo

La posición de máxima abertura permite hacer hervir rápidamente los líquidos; mientras que la posición de abertura mínima permite calentar los alimentos o mantener los líquidos hirviendo.

Para disminuir el caudal del gas al mínimo, gire el mando ulteriormente en el sentido antihorario para situar el indicador orientado hacia la posición **LO**.

Otras regulaciones intermedias de funcionamiento pueden realizarse situando el indicador entre las posiciones de máxima y mínima abertura pero nunca entre las aberturas de máxima y posiciones de **OFF**.

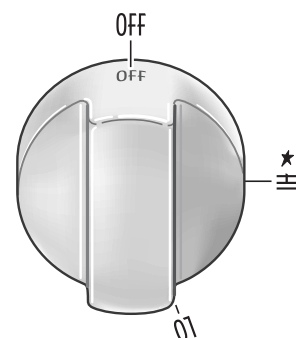


Fig. 2.1

N.B. Cuando no use la cocina, sitúe los mandos del gas en sus posiciones **OFF** y cierre también la válvula de cierre del gas situada en la línea de suministro del gas principal.

ENCENDIDO DE LOS QUEMADORES DE GAS

Para encender un quemador, es necesario:

- 1 – Girar el botón en sentido antihorario en correspondencia de la posición ★ **HI** (potencia máxima), mantener presionando el botón hasta encender el fuego (fig. 2.2).

Las chispas producidas por el mechero situado en el quemador correspondiente encienden la llama.

En caso de que las condiciones del proveedor local de gas dificulten el encendido del quemador en la posición ★ **HI**, repita la operación con el botón en correspondencia de la posición **LO**.

En caso de corte del suministro eléctrico, acerque un fósforo encendido al quemador.

- 2 – Regule la válvula de gas a la posición deseada.

Para reencender el quemador, lleve el botón a la posición **OFF** y repita las operaciones de encendido.

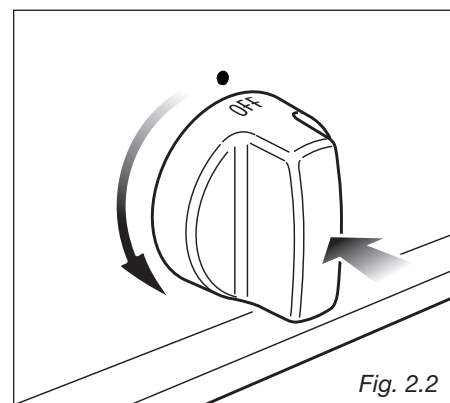


Fig. 2.2

Cuidado!

La cocina se recalienta durante el funcionamiento.
Mantenga a los niños fuera del alcance

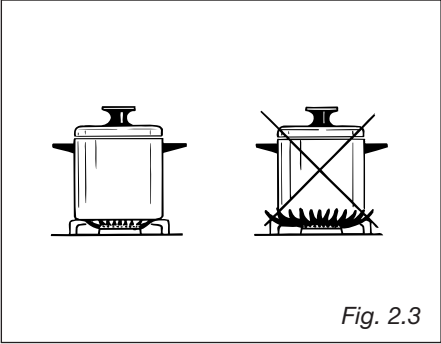


Fig. 2.3

ELECCIÓN DEL QUEMADOR (fig. 2.3)

Los símbolos impresos en el panel al lado de los botones del gas indican la correspondencia entre el botón y el quemador.

El quemador más adecuado se debe seleccionar de acuerdo con el diámetro y la capacidad de la cacerola que calentará.

Es importante que el diámetro de las cacerolas o sartenes sean adecuadas a la potencia de calentamiento de los quemadores para no comprometer la eficiencia de los quemadores, produciendo un derroche de gas.

Una cacerola de diámetro pequeño o un sartén puesta sobre un quemador grande no significa necesariamente que su contenido alcanzará la ebullición de manera más rápida.

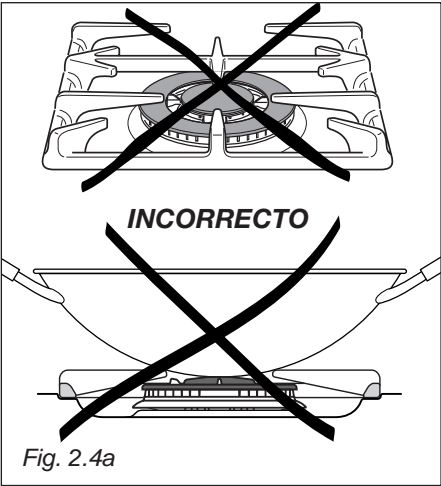


Fig. 2.4a

DIÁMETROS DE CAZUELAS QUE PUEDEN USARSE EN LOS QUEMADORES DE LA PLACA

QUEMADOR	MÍNIMO	MÁX..
Auxiliar	12 cm (4" 23/32)	14 cm (5" 1/2)
Semirrápido	16 cm (6" 19/64)	24 cm (9" 7/16)
Tres filas	26 cm (10" 15/64)	28 cm (11" 1/64)

Cazuelas wok máx 36 cm (14" 11/64)

No use cazuelas con bases cóncavas o convexas.

USO CORRECTO DEL QUEMADOR DE TRES FILAS

(Fig. 2.4a - 2.4b)

Las cazuelas con fondo plano deben situarse directamente sobre el soporte-cazuela.

Si usa un WOK debe situar el soporte suministrado en el quemador para evitar cualquier funcionamiento incorrecto del quemador de triple fila (Fig. 2.4a - 2.4b).

IMPORTANTE:

COLOQUE ÚNICAMENTE la rejilla especial para cazuela wok (fig. 2.4) sobre el apoyo cazuela para el quemador de triple fila.

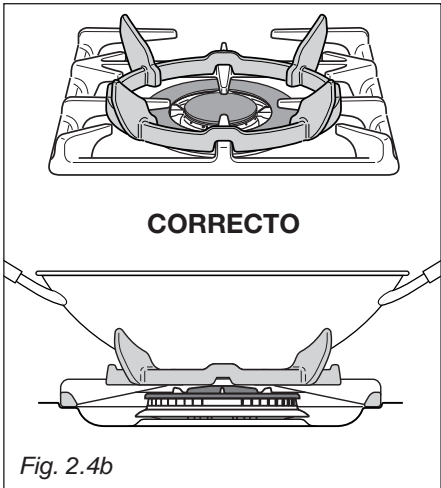
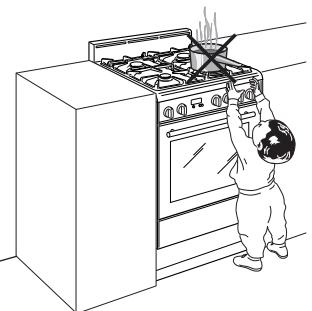


Fig. 2.4b



Asegúrese de que los mangos de los utensilios usados en la cocina no sobresalgan del borde de la cocina para evitar chocar contra ellos accidentalmente. Lo cual dificulta que los niños puedan acceder a los recipientes de cocina.



CARACTERÍSTICAS GENERALES

Este horno tiene características especiales.

Es posible activar 5 funciones diferentes para satisfacer todas las exigencias de cocción; además cuenta con una función de autolimpieza que permite la limpieza interna de la cavidad del horno a alta temperatura y una función de descongelación e iluminación del horno.

Las funciones son gestionadas por un programador electrónico que, por medio de una sonda, ubicada en la cavidad del mismo, mantiene constante la temperatura establecida.

El horno está equipado con las siguientes resistencias:

- Resistencia inferior (doble) 500+1300 W
- Resistencia superior 1000 W
- Resistencia grill 2000 W

Atención: la puerta del horno se pone muy caliente durante el funcionamiento.
Mantener a los niños alejados.

MUY IMPORTANTE
Use siempre el horno con la puerta cerrada.

INSTRUCCIONES PARA EL PRIMER USO DEL HORNO

- Inserte las parrillas y la bandeja.
- Encienda el horno vacío (seleccione una función de cocción NO AUTOLIMPIEZA) y llévela a la potencia máxima por unas 2 horas para eliminar los residuos de grasa y olores de los componentes.
- Después de que el horno se haya enfriado y con el aparato desconectado de la red de alimentación, limpie la cavidad interior del horno con un trapo humedecido con agua y detergente neutro y séquelo perfectamente.

ADVERTENCIA:

La puerta está caliente, use el tirador.

PRINCIPIOS DE FUNCIONAMIENTO

El calentamiento y la cocción en el horno multifunción autolimpiable se realizan de la siguiente manera:

- **por convección normal**
El calor lo producen las resistencias superior e inferior.
- **por convección semiforzada**
El calor producido por las resistencias inferior y superior es distribuido en el horno por el ventilador.
- **por irradiación**
El calor es irradiado por la resistencia del grill de rayos infrarrojos.
- **por irradiación y ventilación**
El calor irradiado por la resistencia grill de rayos infrarrojos se distribuye en el horno por la acción del ventilador.
- **por doble irradiación y ventilación**
El calor irradiado por la resistencia del grill y la resistencia superior es distribuido en el horno por el ventilador.
- **por ventilación**
El alimento es descongelado utilizando el ventilador sin calentamiento.
- **por autolimpieza.**
El calor producido por las resistencias limpia la cavidad interna del horno eliminando todos los residuos de grasa.
NO ES UNA FUNCIÓN DE COCCIÓN.

NOTAS SOBRE EL FUNCIONAMIENTO DEL HORNO

Un ventilador de refrigeración se enciende automáticamente cuando se selecciona un modo de cocción o autolimpieza. Se para cuando se gira el mando del selector hasta la posición OFF o luz o posición de descongelación y la temperatura de la cavidad del horno desciende por debajo de los 100 °C (212 °F).

El ventilador tiene como objeto bajar la temperatura exterior / interior del aparato.

Nota: Al utilizar el horno por primera vez o después de un corte en el suministro de energía eléctrica (apagón), el programador se debe reactivar presionando los botones 2 y 3 contemporáneamente. Véase el capítulo relativo al uso del programador electrónico.



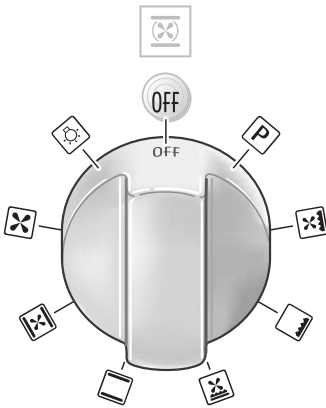
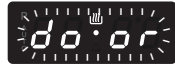


Fig. 3.1

SELECCIÓN DE FUNCIONES (fig. 3.1)

La selección de la función de cocción se efectúa girando el mando del selector de funciones y haciendo coincidir el índice con el símbolo impreso en el frontal.

Importante: en todas las funciones de cocción, el horno se debe utilizar con la PUERTA CERRADA.



Si la puerta permanece abierta aparece en el display del programador el mensaje "door" (puerta) y al cabo de cinco minutos se enciende, por 30 segundos, una señal acústica y la palabra "door" parpadea.

Para apagar la señal acústica, presione cualquier botón del programador.

NOTA: Las resistencias funcionan también con la puerta abierta y esta señal sirve exclusivamente para indicar un gasto de energía y que los mandos/panel de mandos están excesivamente calientes.



ILUMINACIÓN HORNO

Posicionando el mando en esta posición se enciende tan sólo la luz del horno. En las diferentes funciones de cocción (no para la autolimpieza) la luz permanece encendida.



DESCONGELACIÓN DE ALIMENTOS CONGELADOS (no es una función de cocción)

Se encienden solamente el ventilador y la lámpara del horno. La descongelación se efectúa por ventilación sin calentamiento. En el programador electrónico aparecen las iniciales **DEF** (defrost= descongelación).



Aconsejado para:

Descongelación rápida de alimentos congelados; 2.2 lb 1 kg. requiere aproximadamente 1 hora. El tiempo de la operación varía según la cantidad y el tipo de alimento que se tenga que descongelar.



COCCIÓN POR CONVECCIÓN CON VENTILACIÓN

Se encienden las resistencias superior, inferior y el ventilador. El calor proveniente desde arriba y desde abajo es difundido por convección ventilada. Es posible regular la temperatura entre 120 °F (50 °C) y 480 °F (250 °C)..

Al seleccionar esta función, el programador electrónico inicia la cocción con una temperatura de precalentamiento de 320 °F (180 °C). Para modificar la temperatura, véase el capítulo "Programación de la cocción".

Aconsejado para:

Alimentos voluminosos y de gran cantidad que requieren el mismo grado de cocción sea interno que externo; por ejemplo: asados enrollados, pavo, piernas, tortas, etc.



COCCIÓN TRADICIONAL POR CONVECCIÓN

Se encienden las resistencias superior e inferior.

El calor se difunde por convección natural y la temperatura se regula entre 120 °F (50 °C) y 480 °F (250 °C). Al seleccionar esta función, el programador electrónico inicia la cocción con una temperatura de precalentamiento de 350 °F (200 °C). Para modificar la temperatura, véase el capítulo "Programación de la cocción".

Aconsejado para:

Alimentos que requieren la misma temperatura de cocción interna y externa; por ejemplo: asados, costillitas de cerdo, merengues, etc.



COCCIÓN VENTILADA CON DOBLE GRILL

Se encienden el grill de infrarrojos, la resistencia superior y el ventilador. El calor se difunde principalmente por irradiación y el ventilador lo distribuye por todo el horno. Es posible regular la temperatura entre 120 °F (50 °C) y 480 °F (250 °C).

Al seleccionar esta función, el programador electrónico inicia la cocción con una temperatura de precalentamiento de 480 °F (240 °C). Para modificar la temperatura, véase el capítulo "Programación de la cocción".

Aconsejado para:

Carnes que deben cocinarse a una temperatura alta pero que deben estar tiernas. El pescado es más tierno, deberá darle una vez la vuelta durante la cocción.



GRILL

La resistencia de infrarrojos se enciende.

El calor se difunde por irradiación. La temperatura puede regularse entre 120 °F (50 °C) y 480 °F (250 °C). Al seleccionar esta función, el programador electrónico inicia la cocción con una temperatura de precalentamiento de 480 °F (240 °C). Para modificar la temperatura, véase el capítulo "Programación de la cocción".

Aconsejado para:

Acción de cocción con grill intensa para cocina con el grill, dorar, obtener alimentos crocantes, "au gratin", tostado, etc. para un uso correcto consulte el capítulo del "Grill".



GRILL VENTILADO

La resistencia de infrarrojos y el ventilador están encendidos. El calor es difundido principalmente mediante irradiación y el ventilador lo distribuye por todo el horno.

La temperatura puede regularse entre los 120 °F (50 °C) y 480 °F (250 °C).

Al seleccionar esta función el programador electrónico inicia la cocción con una temperatura de precalentamiento de 480 °F (240 °C). Para modificar la temperatura, véase el capítulo "Programación de la cocción".

Aconsejado para:

Para la cocción con grill cuando se requiere un dorado externo rápido para mantener el jugo en bistec de ternera, bistec, hamburguesa, etc. Para un uso correcto, véase el capítulo "Grill con ventilador".



FUNCIÓN DE AUTOLIMPIEZA

NOTAS IMPORTANTES:

No es una función de cocción, sino que sirve exclusivamente para la limpieza del horno.

Antes de poner en marcha el ciclo autolimpiable:

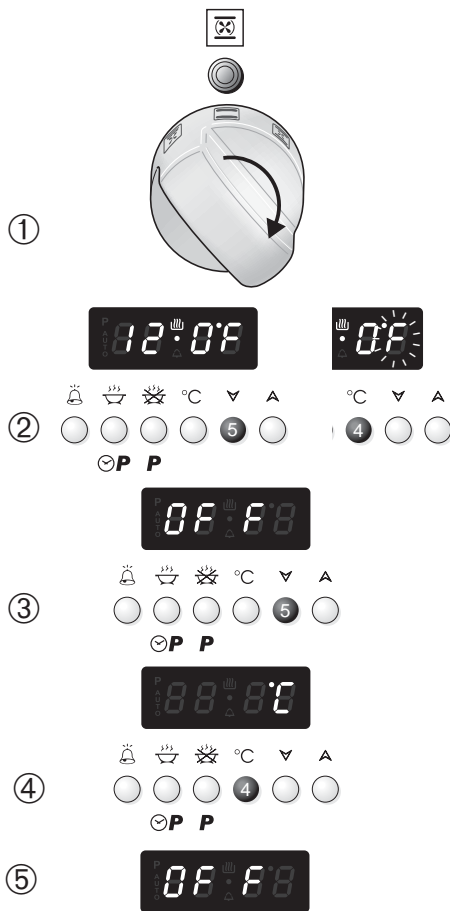
- Quite todos los accesorios del interior del horno (bandeja recoge grasa y parrillas).
- Seque los restos de líquidos que hayan rebosado.
- Cierre la puerta del horno y compruebe que se cierre perfectamente.

Si notara grietas o rajaduras en los cristales de la puerta del horno (por dentro o por fuera) o si los burletes estuvieran arruinados o desgastados o si la puerta no se cerrara perfectamente, desconecte el aparato de la red de alimentación eléctrica y contacte con el Servicio de Asistencia AVANTI.

INFORMACIÓN GENERAL

- El horno en esta función permite pulverizar las grasas residuales de cocción de las paredes internas de la cavidad mediante la alta temperatura. Los humos producidos durante esta operación son filtrados por un especial catalizador ubicado en la parte superior del aparato.
- Los olores y humos causados durante la autolimpieza no deben alarmar. Se aconseja asegurar en el cuarto en donde se ha instalado el horno una adecuada ventilación, abriendo por ejemplo una ventana.
- Es importante no esperar que el horno se engrase demasiado para efectuar esta limpieza. No se debe efectuar ni siquiera después de cada cocción, sino solamente cuando el nivel de suciedad justifica dicha operación (en promedio 1-2 veces por mes según el uso del horno).
- Por razones de seguridad (alta temperatura de la cavidad del horno), durante la puesta en marcha de la autolimpieza, la puerta se cierra automáticamente por medio de un dispositivo electrónico (después de 30 segundos aproximadamente en el panel de mandos se enciende el testigo indicado con el símbolo de la llave). La puerta permanecerá cerrada, pudiéndose abrir solamente al final del ciclo de limpieza, o al interrumpirse el ciclo, cuando la cavidad del horno ha bajado a una temperatura inferior a 570 °F (300°C).
- Durante la puesta en marcha de la función de autolimpieza se enciende automáticamente un ventilador interno para enfriar las paredes del horno, que se apagará al terminar el ciclo cuando la temperatura de la cavidad del horno descienda por debajo de los 212 °F (100°C).
- Las operaciones para poner en marcha, interrumpir, completar el ciclo de autolimpieza y solucionar eventuales problemas, se describen en los próximos capítulos:
 - "Cómo poner en marcha el ciclo de autolimpieza"
 - "Problemas en la puesta en marcha y durante el ciclo de autolimpieza"
 - "Cómo interrumpir el ciclo de autolimpieza"
 - "Qué hacer cuando el ciclo de autolimpieza se ha completado"
 - "Anomalías y fallas en el funcionamiento"

CUIDADO: Durante el ciclo autolimpiable, las partes accesibles se pueden recalentar. Mantenga lejos a los niños.



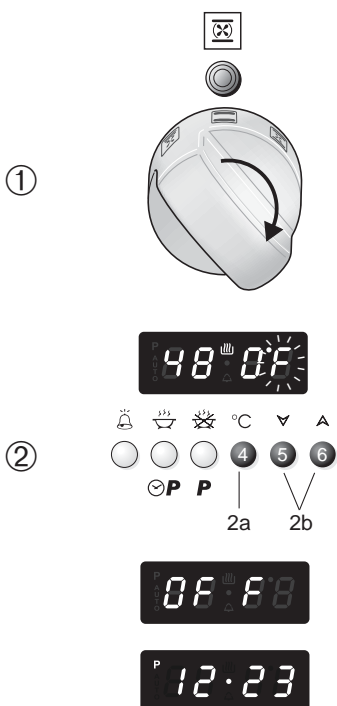
SELECCIÓN DE °F/°C EN EL DISPLAY

1. Gire el mando del selector hasta una función de cocción (por ej. Cocción por convección).
2. Presione el botón 5 en el programador para disminuir la temperatura hasta alcanzar el valor mínimo (120 °F/50 °C). Si los °F/°C no parpadean en el display, presione el botón 4 del programador antes de presionar el botón 5.
3. Con los °F/°C parpadeando en el display, presione el botón 5 de nuevo (si los °F/°C no parpadean, presione el botón 4 antes de presionar el botón 5) hasta que OFF aparezca en el display.
4. Mantenga presionado el botón 4 durante 3/5 segundos hasta que el display cambie de °C a °F o viceversa. Durante la selección los °C o °F están parpadeando.
5. Cuando OFF aparece de nuevo en el display, sitúe el mando del selector en la posición OFF; la selección de los °C o °F se ha completado.



PROGRAMACIÓN DE LA COCCIÓN (SÓLO PARA LAS FUNCIONES DE COCCIÓN)

La temperatura programada se visualiza en el display del programador electrónico y se puede modificar, con intervalos de 5°C, con los botones del programador. Durante la cocción, la temperatura del horno es medida (en °F o °C) por un sensor ubicado en la cavidad y es visualizada en el display del programador hasta que se alcanza la temperatura programada. Si la temperatura programada es inferior a la temperatura del horno, el display muestra la temperatura programada.



1. SELECCIÓN DE LA FUNCIÓN DE COCCIÓN

Gire el mando del selector para situarlo en la función de cocción elegida.

En el display del programador aparece la temperatura prefijada. Los °F o °C parpadean unos 3 segundos en el display. Las resistencias comienzan inmediatamente la cocción.

2. AJUSTE DE LA TEMPERATURA DE COCCIÓN

Puede modificar la temperatura cuando los °F o °C están parpadeando en el display.

2a. Si los °F o °C no parpadean, presione el botón 4 del programador.

2b. Presione el botón 6 para aumentar la temperatura o el botón 5 para disminuirla.

La temperatura máxima regulable es 480 °F (250°C) mientras la mínima es 120 °F (50°C).

Nota: Cuando los °F o °C se vuelven fijos, el valor visualizado en el display indica la temperatura de la cavidad del horno hasta alcanzar la temperatura programada. Si la temperatura programada es inferior a la temperatura interna del horno, el display muestra la temperatura programada.

Cuidado: Si establece una temperatura por debajo del valor mínimo (120 °F o 50°C), el sistema se apaga automáticamente y aparece **OFF**. En este caso, repita el procedimiento a partir del punto 2.

3. APAGADO

Sitúe el mando del selector en la posición **OFF** (horno apagado). En el display del programador aparece la hora.

CÓMO PONER EN MARCHA EL CICLO DE AUTOLIMPIEZA

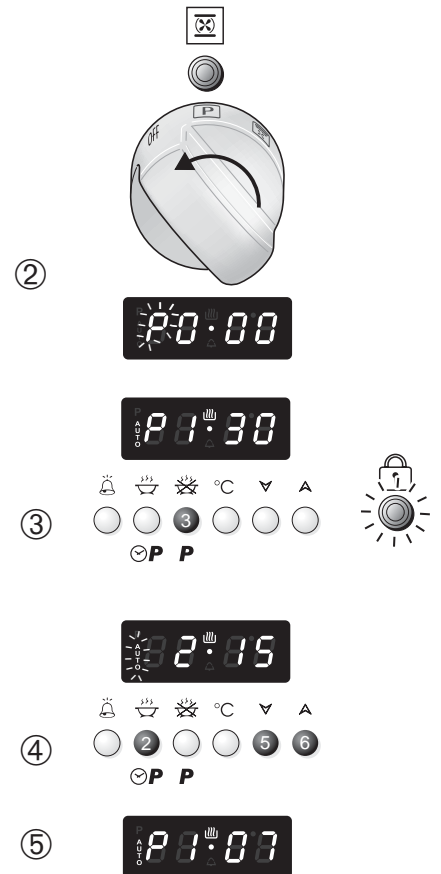
Importante: el ciclo de autolimpieza se debe efectuar exclusivamente con el horno vacío; por lo tanto, antes de poner en marcha el ciclo, saque de la cavidad del horno todos los accesorios (parrillas, bandeja de grasa) y seque los eventuales residuos de líquido que se hayan vertido.

No use productos desengrasantes (por ej. spray desengrasantes, detergentes, etc).

1. **Cierre la puerta del horno** (si está abierta o cerrada incorrectamente, el ciclo de autolimpieza no se pone en marcha).
2. **Sitúe el selector del horno en la posición de autolimpieza (P)**; en el display del programador electrónico aparecerá la inscripción **P0•00** con la letra **P** parpadeante.
3. **Presione el botón 3 del programador** para poner en marcha el ciclo. Esta operación combinada de confirmación ofrece una mayor seguridad en presencia de niños; en efecto la rotación del botón a la función de autolimpieza no produce ningún efecto si no se presiona el botón 3 del programador.
 - Aparece la inscripción **P1•30** (tiempo de duración de la autolimpieza, 1 hora y 30 minutos) y la puerta se cierra durante 30 segundos aproximadamente;
 - En el panel de mandos, el testigo indicado con la llave se enciende para señalar que la puerta está cerrada.
4. Si desea aumentar la duración del ciclo de autolimpieza (máx 5 horas), presione el botón 2 del programador y luego el botón 6. Para bajar al mínimo de 1 hora y 30 minutos, presione el botón 2 y luego el botón 5.
 - Durante el ajuste **AUTO** parpadea y el símbolo **P** desaparece.
5. El ciclo de autolimpieza se pone en marcha inmediatamente y finalizará en el tiempo programado.
 - Durante el ciclo de autolimpieza, el display del programador visualizará el tiempo (horas y minutos) que faltan para completar el ciclo.

MUY IMPORTANTE:

El ciclo de autolimpieza se pone en marcha sólo con la puerta del horno cerrada. Por lo tanto si la puerta está abierta o mal cerrada **NO ES POSIBLE** poner en marcha el ciclo de autolimpieza del horno; dispositivos electrónicos de seguridad impedirán su puesta en marcha.



PROBLEMAS EN LA PUESTA EN MARCHA Y DURANTE EL CICLO DE AUTOLIMPIEZA



1. Inscripción fija **door** (puerta).

Se ha situado el selector de funciones en la posición de autolimpieza con la puerta del horno abierta o no perfectamente cerrada, o la puerta se ha abierto antes de poner en marcha el ciclo con el botón de confirmación 3.

Qué hacer:

Cierre la puerta y repita las operaciones de puesta en marcha del ciclo.

- Si al cabo de 5 minutos la puerta no está cerrada, aparece la inscripción **door parpadeante y se activa una señal acústica unos 30"**.

Qué hacer:

Cierre la puerta, presione cualquier botón del programador para apagar la señal acústica y repita las operaciones de puesta en marcha del ciclo.



2. Inscripción **door** con **AUTO** parpadeante.

Se ha abierto la puerta del horno después de la puesta en marcha del ciclo de autolimpieza (antes de bloquear la puerta). El ciclo de autolimpieza se pone a cero.

Qué hacer:

1. Cierre la puerta. En el display del programador electrónico aparecerá la inscripción **P0•00** con la letra **P** y **AUTO** parpadeante.
2. Sitúe el selector de funciones en **OFF** y repita las operaciones de puesta en marcha del ciclo.

- Si al cabo de 5 minutos la puerta no está cerrada aparece la inscripción **door parpadeante y se activa una señal acústica unos 30"**.

Qué hacer:

Cierre la puerta, presione cualquier botón del programador para apagar la señal acústica y repita las operaciones de puesta en marcha del ciclo.



3. Inscripción **F0.00** con **AUTO** parpadeante

Se ha interrumpido y luego puesto en marcha el ciclo de autolimpieza cuando estaba en avanzado estado de funcionamiento. El mensaje se visualiza al cabo de unos 10 minutos y el ciclo de autolimpieza se pone a cero.

Qué hacer:

1. Sitúe en **OFF** el conmutador.
2. Haga pasar al menos unos 15 minutos.
3. Repita las operaciones de puesta en marcha del ciclo de autolimpieza.
4. Si al cabo de varias tentativas el mensaje persiste, contacte con el Servicio de Asistencia AVANTI.

Cuidado: Es aconsejable no interrumpir para luego poner en marcha nuevamente el ciclo de autolimpieza cuando está en avanzado estado de funcionamiento.

CÓMO INTERRUPIR EL CICLO DE AUTOLIMPIEZA

1. Sitúe el selector de funciones en la posición OFF (horno apagado)

- Si la temperatura de la cavidad del horno es superior a 570 °F (300 °C)

1a. La hora del día aparece de forma fija en el display del programador.

1b. Cuando la temperatura de la cavidad del horno desciende por debajo de 570 °F (300 °C):

- **OFF** aparece de nuevo en el display del programador.
- el apagado del testigo llave
- el desbloqueo de la puerta que puede abrirse

- Si la temperatura de la cavidad del horno es inferior a 570 °F:

1c. En el display del programador aparecerá la hora.

1d. Después de un tiempo técnico, se producirá:

- el apagado del testigo llave
- el desbloqueo de la puerta que puede abrirse

IMPORTANTE: espere que el horno se enfríe completamente antes de empezar una función de cocción.

INTERRUPCIÓN ACCIDENTAL DEL CICLO DE AUTOLIMPIEZA

2. El selector de funciones se ha situado en cualquier función de cocción.

- Si la temperatura de la cavidad del horno es superior a 570 °F (300 °C)

2a. La hora del día aparece de forma fija en el display del programador.

2b. Cuando la temperatura de la cavidad del horno ha descendido por debajo de los 570 °F (300 °C):

- **OFF** aparece de nuevo en el display del programador
- cuando se apaga el testigo con la llave (después de algunos minutos) la puerta se desbloquea y puede abrirse

2c. Para restablecer las condiciones normales, sitúe el selector de funciones en la posición **OFF** (horno apagado). En el display del programador aparecerá la hora.

- Si la temperatura de la cavidad del horno es inferior a 570 °F (300 °C):

2d. La temperatura preprogramada de la función seleccionada aparece en el display del programador.

2e. Después de un tiempo técnico, se produce:

- el apagado del testigo llave
- el desbloqueo de la puerta que puede abrirse

2f. Para restablecer las condiciones normales, sitúe el selector de funciones en la posición **OFF** (oven OFF). (horno apagado). La hora aparece en el display del programador.

IMPORTANTE: espere hasta que el horno se haya enfriado antes de empezar una función de cocción.

QUÉ HACER CUANDO EL CICLO DE AUTOLIMPIEZA SE HA COMPLETADO

1. Inscripción **P0.00** con **AUTO** parpadeante.

Espere que el horno se enfríe y el desbloqueo de la puerta.

El ciclo autolimpiable ha terminado. Esta inscripción **P0.00** permanecerá hasta el desbloqueo de la puerta.

La puerta permanece cerrada hasta cuando la temperatura de la cavidad no desciende por debajo de los 570 °F (300°C).

2. Apagado del testigo con el símbolo de la llave (cuando la temperatura ha descendido por debajo de los 570 °F – (300°C).

La inscripción **AUTO** y la letra **P** parpadean.

La puerta se ha desbloqueado y se puede abrir.

3. Sitúe el mando del selector de funciones en la posición **OFF** (horno apagado).

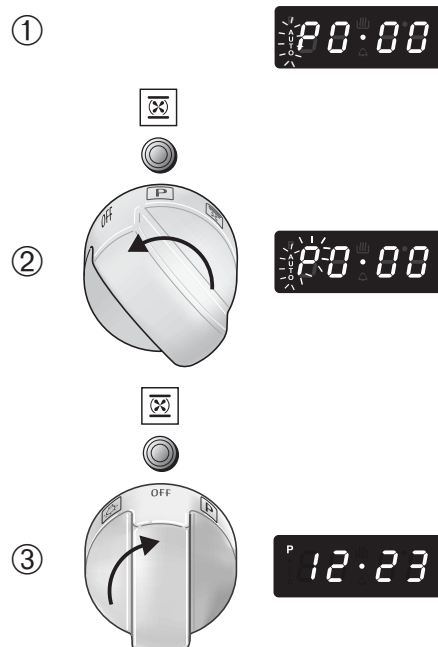
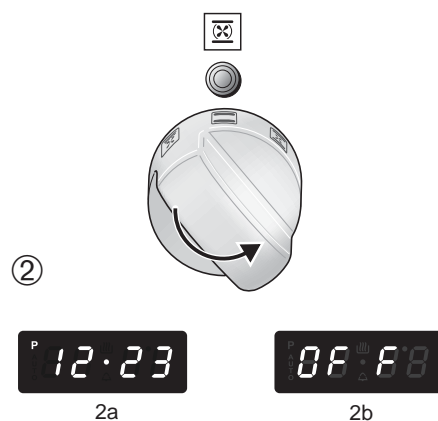
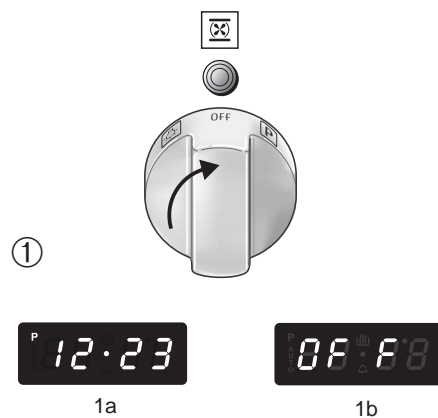
En el display del programador aparece la hora.

4. Espere que el horno se haya enfriado completamente.

5. Retire la suciedad pulverizada.

Abra la puerta del horno y con un trapo humedecido, retire los residuos de suciedad pulverizada en el interior del horno.

IMPORTANTE: Antes de poner en marcha de nuevo el horno en cualquier función, espere que el aparato se haya enfriado completamente.



ANOMALÍAS Y FALLAS EN EL FUNCIONAMIENTO

durante la cocción o el ciclo de autolimpieza



1. Inscripción 30 F0 o 30 F1 F1 durante la cocción o el ciclo de autolimpieza.

Sensor de temperatura del horno averiado o malfuncionante. El ventilador de enfriamiento permanece encendido y si está en marcha el ciclo de autolimpieza la puerta permanece cerrada.

Qué hacer:

1. Sitúe en **OFF** (horno apagado) el selector de funciones del horno. Comenzará la cuenta atrás de 30 minutos. Si gira el selector y luego lo sitúa en **OFF** el recuento comenzará de nuevo a partir de 30.
2. Espere que termine la cuenta atrás.
El ventilador se apaga y la puerta, si está cerrada, se desbloquea.
3. Desconecte el horno de la red eléctrica y contacte con el Servicio de Asistencia AVANTI porque ya no será posible utilizar el horno.

Cuidado: Si no sitúa el selector de funciones en **OFF** (horno apagado), el ventilador de enfriamiento sigue siempre funcionando y la puerta del horno, si cerrada, permanece bloqueada.

2. Inscripción F0.00 aparece durante el ciclo de autolimpieza

Indica que ha habido un error de medida del sensor de temperatura durante el ciclo de autolimpieza.

Lo cual puede ser debido a la parada y reanudación del funcionamiento cuando el ciclo estaba en estado avanzado.

Qué hacer:

1. Sitúe en **OFF** (horno apagado) el selector de funciones del horno.
2. Espere por lo menos **15 minutos** antes de repetir las operaciones para empezar el ciclo de autolimpieza.
3. Si el mensaje sigue apareciendo después de varios intentos, póngase en contacto con el Servicio postventa AVANTI.

3. Display OFF - El horno no funciona correctamente.

Qué hacer:

1. Sitúe el selector de funciones en **OFF** (horno apagado).
2. Espere que el horno se haya enfriado completamente.
3. Desconecte unos segundos la alimentación eléctrica.


Si al cabo de dicho procedimiento, el display permanece todavía apagado:

4. Desconecte el horno de la red eléctrica.
5. Contacte con el Servicio de Asistencia AVANTI. La cocina no se debe utilizar.

CONSEJOS PARA LA COCCIÓN


ESTERILIZACIÓN

La esterilización de los alimentos, a conservar en recipientes cerrados herméticamente y llenos, se efectúa de la siguiente forma:

- Sitúe el conmutador en la posición .
- Sitúe el mando del termostato en 350 °F (175 °C) y precaliente el horno.
- Llene la bandeja de grasas con agua caliente.
- Disponga los recipientes en la bandeja de grasa, no deben tocarse entre ellos ni la puerta y sitúe el mando del termostato en 260 °F (130 °C).

Después del inicio de la esterilización, es decir cuando se comienzan a ver las burbujas en los recipientes, apague el horno y deje que se enfríe.

REGENERACIÓN


Sitúe el conmutador en la posición  y programe la temperatura en 300 °F (150 °C). El pan recuperará su aroma si se humedece y se pone en el horno durante unos diez minutos.

ASADO

Para preparar el clásico asado cocido a punto en todos lados, es suficiente recordar lo siguiente:

- es aconsejable mantener la temperatura prefijada.
- los tiempos de cocción dependen de la cantidad y calidad de los alimentos.

COCCIÓN SIMULTÁNEA DE ALIMENTOS DISTINTOS

El horno MULTIFUNCIÓN en las posiciones  del selector de funciones permite cocer al mismo tiempo comidas heterogéneas. Se pueden cocer simultáneamente alimentos distintos, como pescados, tartas y carnes sin que se mezclen los aromas ni los sabores.

Las únicas precauciones a tomar son las siguientes:

- Las temperaturas de cocción deben ser lo más parecidas posible entre sí, admitiéndose una diferencia máxima de 70-80 °F (20-25 °C) entre los distintos alimentos.
- La introducción en el horno de los distintos platos deberá hacerse en momentos diferentes, según el tiempo de cocción de cada uno de ellos. Resulta evidente el ahorro de tiempo y de energía que se consigue con este tipo de cocción.

GRILL VENTILADO Y “AU GRATIN”

Se puede usar el grill seleccionando  o  con el mando del selector de funciones, el aire caliente envuelve completamente el alimento cocinado.

Ajuste la temperatura si desea establecer una temperatura diferente de la prefijada.

Introduzca los alimentos para cocer poniéndolos sobre la bandeja para grasa lo más cerca posible de la resistencia de infrarrojos.

Cierre la puerta y deje el horno funcionar con el grill.

Añada un poco de mantequilla antes del final del tiempo de cocción para dar un efecto dorado “au gratin”.

Use el grill con la puerta del horno cerrado.

IMPORTANTE: Use siempre agarradores especiales suministrados con el aparato para meter/sacar la bandeja recoge grasa del horno (consulte la página siguiente)

GRILL

Sitúe el mando del selector en la posición .

Ajuste la temperatura, si desea establecer una temperatura diferente de la prefijada.

Deje precalentar el horno por más o menos 5 minutos con la **puerta cerrada**.

Introduzca los alimentos para cocer poniéndolos en la bandeja para recoger la grasa lo más cerca posible de la resistencia de infrarrojos.

Use el grill con la puerta del horno cerrado.

IMPORTANTE: Use siempre agarradores especiales suministrados con el aparato para meter/sacar la bandeja recoge grasa del horno (consulte la página siguiente).



¡¡ADVERTENCIA!!

**TENGA CUIDADO
MUY IMPORTANTE**

**Aconsejamos aferrar los
accesorios del horno usando
guantes de horno.**

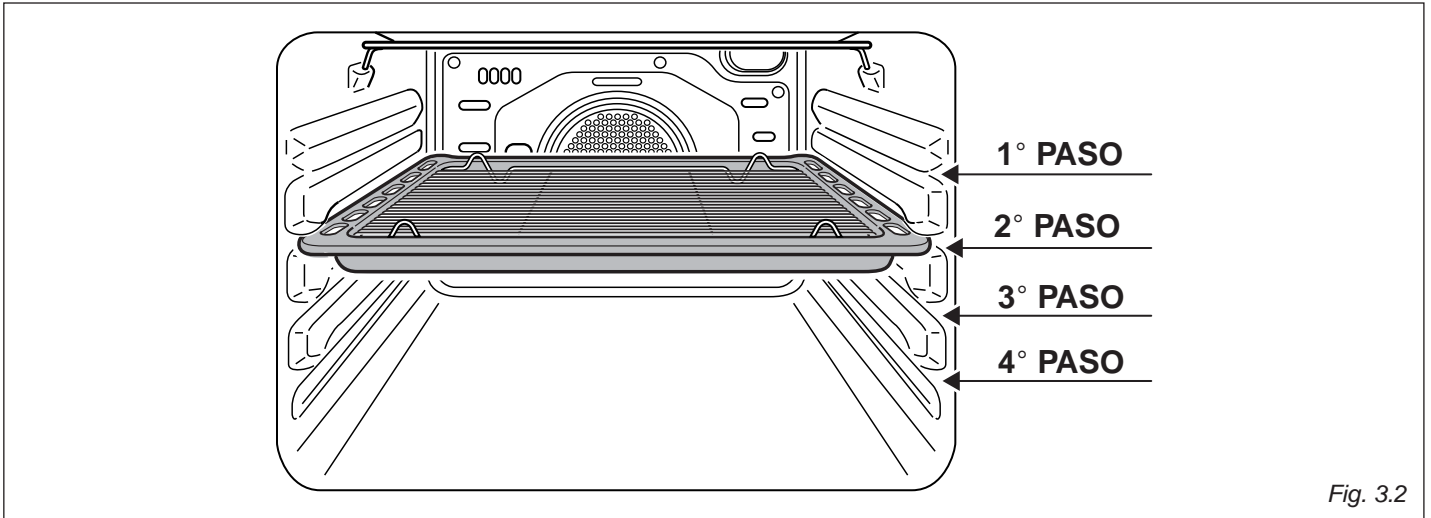


Fig. 3.2

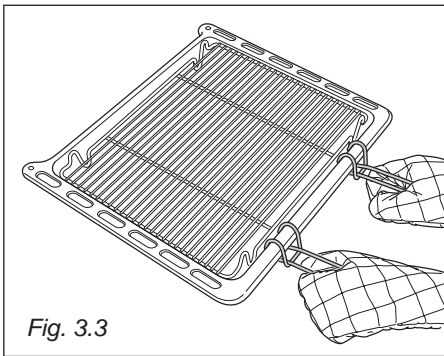


Fig. 3.3

USAR LA BANDEJA RECOGE GRASA CON EL GRILL

- Sitúe el mando del selector de funciones en la posición grill siguiendo las indicaciones facilitadas en los párrafos anteriores y deje precalentarse la resistencia del grill durante 5 minutos aproximadamente con la puerta cerrada.
- Sitúe los alimentos a cocinar en la parrilla con bandeja recoge grasa.
- Introduzca la bandeja recoge grasa (bandeja + parrilla) en el horno (fig. 3.3) y póngala en el primer o segundo nivel empezando por arriba (fig. 3.2).

No use el grill sin la bandeja recoge grasa.

Importante: Use siempre agarradores especiales suministrados con el aparato para meter/sacar la bandeja recoge grasa del horno (fig. 3.3, 3.4, 3.5).

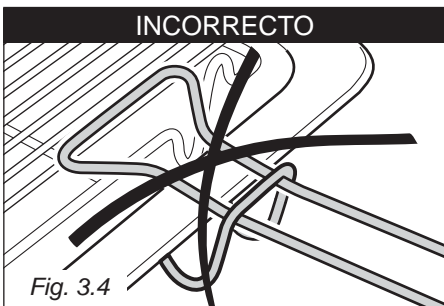


Fig. 3.4

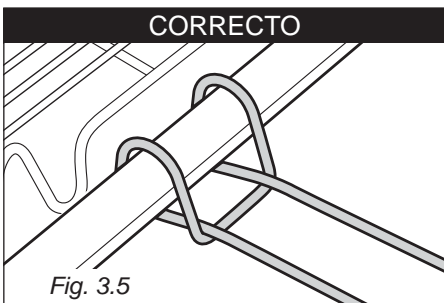










Fig. 3.5

El programador electrónico es un dispositivo que agrupa las siguientes funciones:

- reloj de 12 horas con display iluminado (P en el display para indicación de hora PM).
- temporizador (hasta 23 hrs y 59 minutos).
- Programa para la cocción semi-automática en el horno.
- Programa para la cocción automática en el horno.
- Gestión de las funciones de cocción. El programador gestiona la programación de la temperatura en las distintas funciones de cocción.
- Gestión de la función de autolimpieza.

Descripción de los pulsadores:

-  Cuentaminutos (1)
-   Tiempo de cocción o duración del ciclo de autolimpieza (2)
-   Hora de fin de cocción o habilitación para inicio del ciclo de autolimpieza (3)
-  Ajuste de la temperatura del horno (4)
-  Bajar los valores de todas las funciones o de la temperatura a programar (5)
-  Aumentar los valores de todas las funciones o de la temperatura a programar (6).

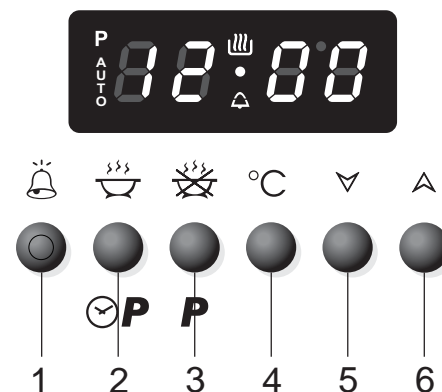




Fig. 4.1

Descripción de los símbolos de los testigos:

- AUTO** Indica que se ha establecido un programa
-  Indica que las resistencias están en funcionamiento
-  Indica que el cuentaminutos está en funcionamiento
- P** Indica la hora PM

DURANTE LA PRIMERA CONEXIÓN DESPUÉS DE UN CORTE DE ENERGÍA ELÉCTRICA

Después de la conexión del aparato a la red eléctrica o después de un corte de la energía eléctrica, el programador se debe activar para poder funcionar.

La inscripcón **12:00** parpadea en el display.

1. Presione contemporáneamente los botones 2 y 3.
El programador comienza a funcionar.



AJUSTE DE LA HORA

El programador está dotado de un reloj electrónico (12 horas) de dígitos luminosos que indican horas y minutos.

Nota: El ajuste del reloj determina la puesta a cero de los programas que estén en marcha o establecidos.

1. Presione los botones 2 y 3 contemporáneamente
2. Presione los botones 5 ó 6 hasta ajustar la hora exacta. Durante esta fase el punto entre las horas y los minutos parpadeará en el display. Manteniendo presionado algunos segundos los botones "más" o "menos", las cifras correrán más rápidamente.
P en el display indica la hora PM.



SEÑAL ACÚSTICA

La señal acústica parpadeante de 30 segundos se activa cuando el cuentaminutos o la cocción semiautomática o automática ha llegado al final del tiempo establecido. Se activa también para indicar que la puerta está abierta (véanse los capítulos relativos al uso del horno).

Para apagar la señal acústica presione cualquier botón del programador.



CUENTAMINUTOS

La función cuentaminutos sirve sólo para contar el tiempo y no influye en el funcionamiento del horno o en los programas establecidos o en marcha.

1. Presione el botón 1. El símbolo de la campana comienza a parpadear.
2. Presione los botones 5 ó 6 para establecer el tiempo deseado.
3. Comienza inmediatamente la cuenta atrás. El símbolo de la campana termina de parpadear y aparece de nuevo la hora.
4. Para visualizar la cuenta atrás presione el botón 1. El tiempo se indicará en horas y minutos; sólo en el último minuto se indicarán los segundos.
5. Al terminar el recuento, se activa una señal acústica y el símbolo de la campana aparece en el display.

Para interrumpir la señal acústica presione cualquier pulsador.

ADVERTENCIA IMPORTANTE: esta función es únicamente una alarma electrónica y no apaga el aparato. Recuerde que debe apagar manualmente el mando del selector al final de la cuenta atrás.

COCCIÓN SEMIAUTOMÁTICA

Comienzo de la cocción inmediata y apagado automático del horno después del tiempo de cocción programado.

Programación

1. Programe la función de cocción situando el selector del horno en la función deseada.
2. En el display aparece la temperatura de cocción. Si desea modificarla siga las instrucciones descritas en el capítulo "Programación de la cocción".
3. Presione el botón 2. La inscripción **AUTO** comienza a parpadear y aparece **0.00**.
4. Presione los botones 5 o 6 para establecer la duración de la cocción (tiempo de cocción en horas y minutos; es aconsejable establecer un tiempo de unos diez minutos inferior al tiempo necesario necesario ya que el calor almacenado completará la cocción).
5. En el display la inscripción **AUTO** se vuelve fija y se pone en marcha el programa de cocción.

Durante la cocción

6. Durante el ciclo de cocción, el display muestra la temperatura del horno medida por la sonda.
Presionando el botón 2 se visualiza el tiempo que falta para que termine la cocción. En cualquier momento es posible modificar el tiempo y la temperatura de cocción, siguiendo las instrucciones descritas antes.

Al terminar la cocción

7. En el display aparece **End**, la inscripción **AUTO** parpadea y se enciende la señal acústica.
El ciclo de cocción ha terminado y el horno se apaga.
8. Presione cualquier botón del programador para apagar la señal acústica.
9. Aparece la inscripción **OFF** (horno apagado).
10. Sitúe el selector de funciones en la posición **OFF** (horno apagado).
11. En el display del programador aparece la hora.

Nota: Al terminar el programa, sitúe siempre el mando del selector de funciones en la posición **OFF** (horno apagado).



COCCIÓN AUTOMÁTICA

Comienza la cocción a la hora programada y se efectúa el apagado automático del horno después del tiempo de cocción establecido.

Programación

1. Programe la función de cocción situando el selector del horno en la función deseada.
2. En el display aparece la temperatura de cocción. Si desea modificarla siga las instrucciones descritas en el capítulo "Programación de la cocción".
3. Presione el botón 2. La inscripción **AUTO** comienza a parpadear y aparece **0.00**.
4. Presione los botones 5 ó 6 para establecer la duración de la cocción (tiempo de cocción en horas y minutos - es aconsejable fijar un tiempo unos diez minutos menos que el tiempo necesario ya que el calor almacenado completará la cocción).
5. En el display la inscripción **AUTO** se vuelve fija y se pone en marcha el programa de cocción.
6. Presione el botón 3 (la inscripción **AUTO** comienza a parpadear).
7. Presione los botones 5 ó 6 para programar la hora en la que desea que la cocción termine.
Es importante que los valores establecidos sean correctos; por ejemplo: si son las 8.00 no es posible establecer una cocción que dura 3 horas y que termina a las 10.00. En este caso el programador establecerá automáticamente la hora de fin de cocción a las 11.00.
8. En el display la inscripción **AUTO** se vuelve fija y aparece nuevamente la hora. El símbolo de cocción se apaga.

Comienza la cocción

9. Se enciende el símbolo de la cacerola. El horno se enciende y comienza el ciclo de cocción programado.

Durante la cocción

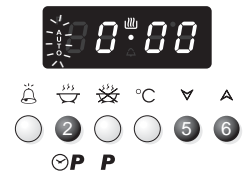
10. Durante el ciclo de cocción, el display muestra la temperatura del horno medida por la sonda o la temperatura preestablecida.
Al presionar el botón 2 se visualiza la duración de la cocción establecida.
Al presionar el botón 3 se visualiza la hora en la que la cocción terminará.
En cualquier momento es posible modificar la duración de la cocción, la hora de fin de cocción y la temperatura de cocción, siguiendo las instrucciones descritas antes.

Al terminar la cocción

11. En el display aparece **End**, la inscripción **AUTO** parpadea y se enciende la señal acústica.
El ciclo de cocción ha terminado y el horno se apaga.
12. Presione cualquier botón del programador para apagar la señal acústica.
13. Aparece la inscripción **OFF** (horno apagado).
14. Sitúe el selector de funciones en la posición **OFF** (horno apagado).
15. En el display del programador aparece la hora.

Nota: Al terminar el programa, sitúe siempre el mando del selector de funciones en la posición OFF (horno apagado).

IMPORTANTE: Durante el programa de cocción automático, la luz del horno permanece siempre encendida incluso antes de empezar (resistencias encendidas o ciclo) la cocción programada.



CANCELACIÓN DE UN PROGRAMA ESTABLECIDO

Para cancelar cualquier programa establecido, es suficiente situar el selector de funciones en la posición **OFF** (horno apagado).

Nota: si durante un programa establecido sitúa el selector de funciones en la posición **OFF** (horno apagado), (**autolimpieza**) o **iluminación horno**, el programa se cancela.

EJEMPLO DE PROGRAMACIÓN DE COCCIÓN AUTOMÁTICA



Fig. 4.2

RECOMENDACIÓN GENERAL

- ✓ **Importante:** Antes de efectuar cualquier operación de limpieza y mantenimiento, desenchufe el aparato de la corriente.
- ✓ Evite dejar sustancias alcalinas o ácidas (jugo de limón, vinagre, etc) en las superficies.
- ✓ Evite usar productos de limpieza con una base ácida o con cloro.
- ✓ Mantenga siempre limpio el horno después del uso, use productos adecuados, y recuerde que, su funcionamiento durante 30 minutos a la temperatura más alta elimina la mayoría de la suciedad convirtiéndola en cenizas.

PARTES ESMALTADAS

- ✓ Limpie todas las partes esmaltadas con una esponja y con agua con jabón únicamente o con otros productos no abrasivos.
- ✓ Seque preferentemente con una gamuza.

SUPERFICIES DE ACERO INOXIDABLE (REVESTIDAS)

CUIDADO

- ✓ Las superficies delanteras de ACERO INOXIDABLE en esta cocina están protegidas con una laca especial para disminuir las huellas de los dedos.
Para no estropear esta laca, no limpie el acero inoxidable con limpiadores abrasivos o con paños abrasivos o estropajos.

USE ÚNICAMENTE AGUA CALIENTE/JABÓN PARA LIMPIAR LAS SUPERFICIES DE ACERO INOXIDABLE.

SUPERFICIES DE ACERO INOXIDABLE (SIN REVESTIR)

La placa + los laterales están realizados en acero inoxidable sin revestir. Puede limpiarlos con un producto limpiador para acero inoxidable adecuado.

EL INTERIOR DEL HORNO

Límpielo regularmente.

Con el horno caliente, limpie las paredes internas con un paño embebido en agua enjabonada muy caliente o con otro producto adecuado.

QUEMADORES Y REJILLAS

- ✓ Estas piezas pueden ser desmontadas y limpiadas con productos adecuados.
- ✓ Después de la limpieza, se deberán secar y colocar correctamente los quemadores y los difusores de llama.
- ✓ Es de importancia fundamental controlar la correcta posición del difusor de llama del quemador y el capuchón, de lo contrario se pueden producir graves problemas.
- ✓ En aparatos de encendido eléctrico, mantenga limpio el electrodo para que la chispa se produzca siempre.
- ✓ **Notas:** Para no dañar el encendido eléctrico, no lo utilice cuando los quemadores no están en su posición.

ADVERTENCIA MUY IMPORTANTE

Antes de efectuar cualquier operación de mantenimiento, desenchufe el aparato de la corriente.

No use limpiadores de chorro de vapor porque la humedad podría infiltrarse en el aparato y causar riesgos.

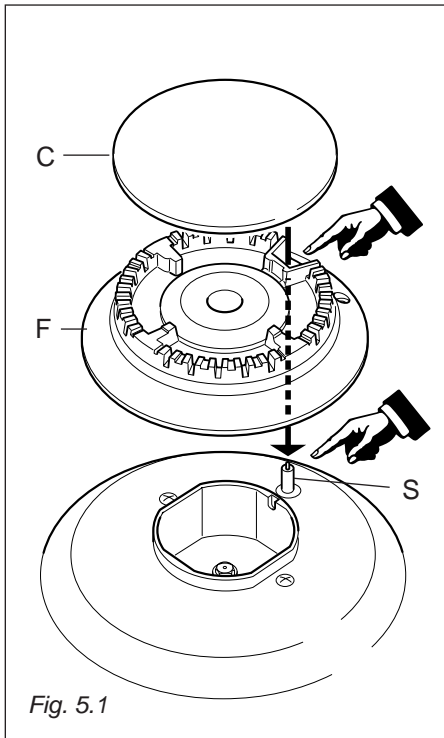


Fig. 5.1

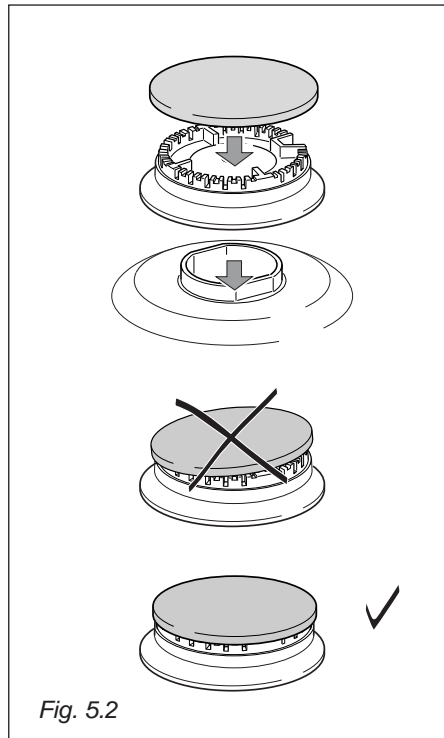


Fig. 5.2

SUBSTITUCIÓN CORRECTA DE LOS QUEMADORES

Es muy importante controlar la correcta instalación del difusor de llama del quemador "F" y el capuchón "C" (véase las fig. 5.1 y 5.2).

De lo contrario se pueden producir graves problemas.

En los aparatos con encendido eléctrico, controle que el electrodo "S" (fig. 5.1) esté siempre limpio para producir las chispas sin inconvenientes.

La bujía de encendido debe ser cuidadosamente limpiada

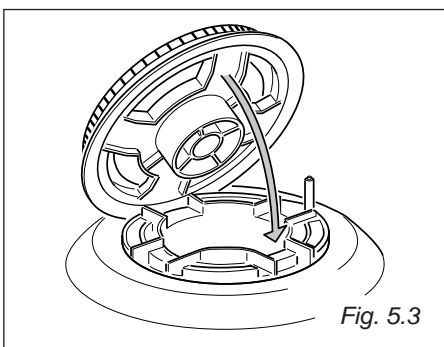


Fig. 5.3

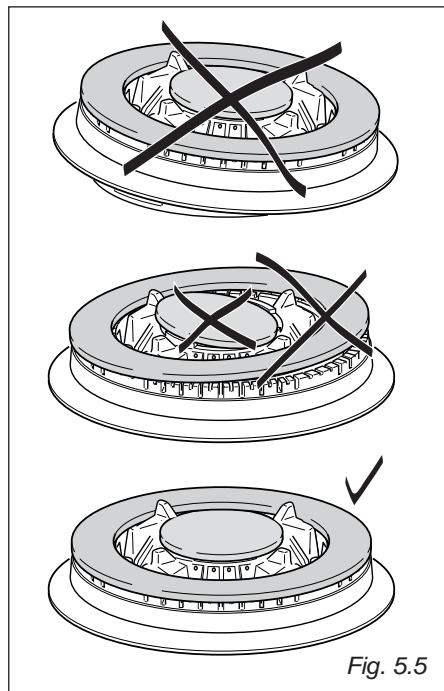


Fig. 5.5

POSICIÓN CORRECTA DEL QUEMADOR DE TRIPLA CORONA

El quemador de triple corona debe estar correctamente instalado (véase fig. 5.3); el reborde del quemador se debe insertar en el cuerpo como se indica con la flecha.

El quemador correctamente instalado no puede girar (fig. 5.4).

Luego coloque el capuchón A y el anillo B (fig. 5.4 - 5.5).

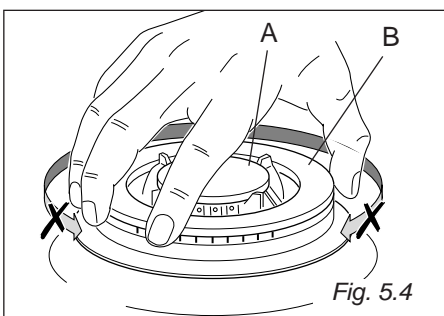


Fig. 5.4

VÁLVULAS DE GAS

✓ En caso de anomalías en las válvulas de gas, contacte al Servicio de Asistencia.

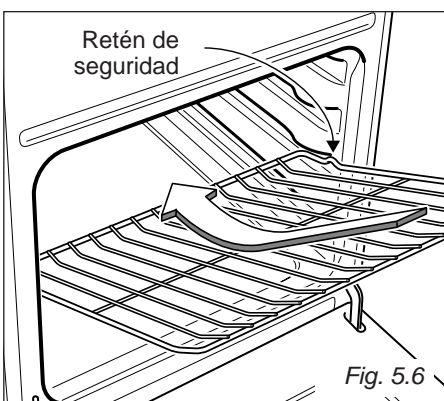


Fig. 5.6

INSTALACIÓN Y REMOCIÓN DE LAS PARRILLAS DEL HORNO

Las parrillas del horno incorporan un bloqueo de seguridad para evitar su extracción accidental.

Para colocarlas siga las indicaciones de las figuras 5.6.

Para extraerlas, invierta la secuencia de las operaciones.

Tenga cuidado de colocar correctamente las parrillas (véase la figura de al lado).

SUSTITUIR LA LUZ DEL HORNO (fig. 5.7)

Antes de empezar cualquier operación de mantenimiento que implique la manipulación de partes eléctricas del aparato, desenchúfelo de la corriente.

- Deje la cavidad del horno y las resistencias enfriar.
- Corte el suministro eléctrico.
- Quite la tapa de protección (fig. 5.7).
- Desenrosque y sustituya la lámpara por una nueva adecuada para temperaturas altas 300°C, con las siguientes especificaciones: 120V, 60 Hz, 25W, E14.
- Coloque de nuevo la tapa de protección

NOTA: La sustitución de la lámpara del horno no está cubierta por su garantía.

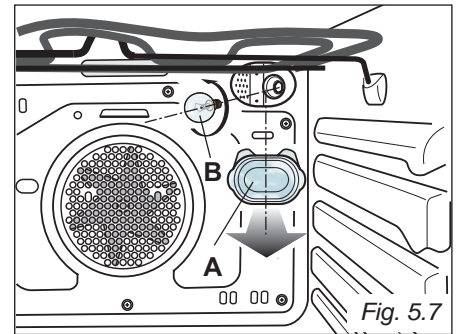


Fig. 5.7

CAJÓN

El cajón (fig. 5.8) sale como un cajón normal. Un retén de seguridad impide su deslizamiento.

Para quitar el cajón ábralo y levántelo.

No guarde material inflamable en el horno o en el cajón.

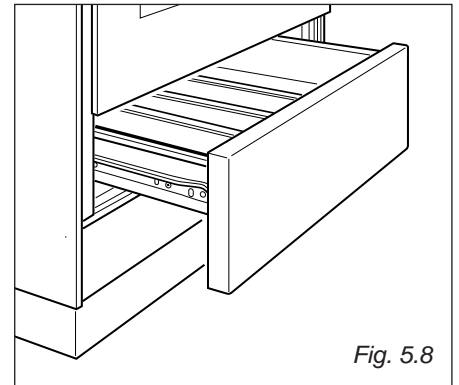


Fig. 5.8

QUITAR LA PUERTA DEL HORNO

Para facilitar la limpieza del horno, puede quitar la puerta:

Siga las instrucciones meticulosamente:

- Abra la puerta completamente (fig. 5.9a).
- Presione la palanca A, totalmente en las bisagras de la derecha y de la izquierda.
- Aferre la puerta según las indicaciones de la fig. 5.9.
- Cierre la puerta suavemente (fig. 5.9) hasta que las palancas A de las bisagras derecha e izquierda se enganchen en la parte B de la puerta (fig. 5.9).
- Retire los ganchos de las bisagras de su alojamiento siguiendo la flecha C (fig. 5.9d).
- Apoye la puerta sobre una superficie blanda.
- Para colocar de nuevo la puerta, repita las operaciones anteriores invirtiendo el orden.

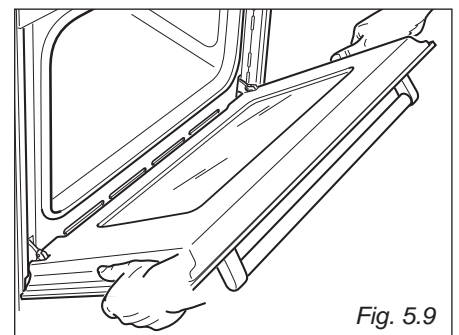


Fig. 5.9

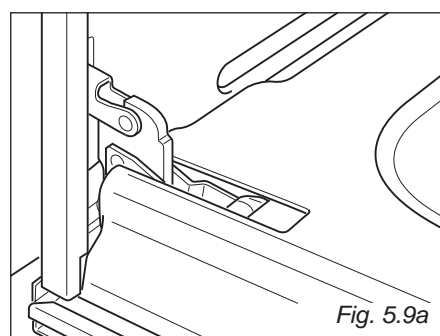


Fig. 5.9a

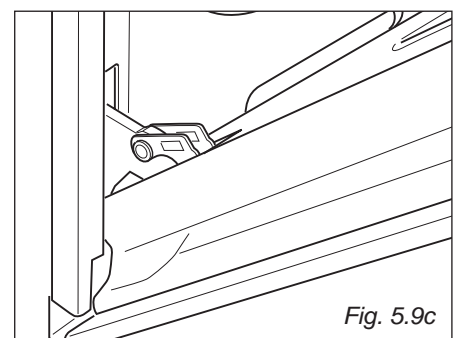


Fig. 5.9c

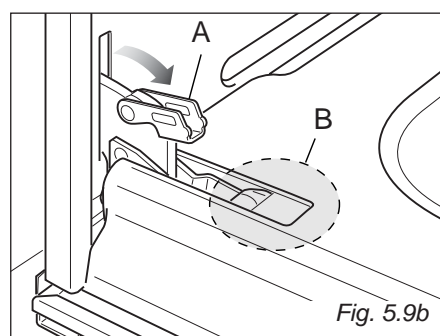


Fig. 5.9b

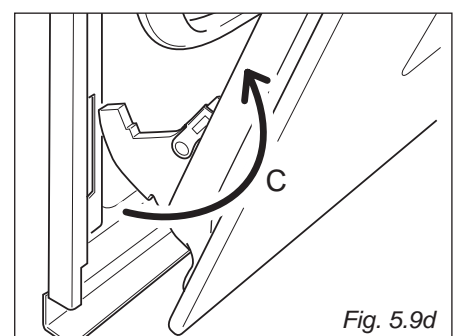


Fig. 5.9d

LO QUE SE PUEDE HACER Y LO QUE NO

- Use siempre el horno con la puerta del horno cerrada.
- Lea detenidamente las instrucciones completamente antes de usar la cocina por primera vez.
- Deje que el horno se caliente durante dos horas, antes de usarlo por primera vez para eliminar cualquier olor del nuevo aislamiento del horno sin introducir en él alimentos.
- Limpie su horno regularmente.
- Elimine los derrames en cuanto se produzcan.
- Use siempre guantes para sacar las parrillas y bandejas con alimentos del horno.
- No permita a niños permanecer cerca de la cocina durante el uso.
- No deje que se depositen grasa o aceites en la base del horno o en los accesorios del horno.
- No coloque los utensilios de cocina o platos directamente sobre la base del horno.
- No introduzca partes esmaltadas calientes en el agua. Deje que se enfríen antes.
- No deje vinagre, café, leche, agua salada o jugo de tomate en contacto con las partes esmaltadas (o sea dentro del horno).
- No use limpiadores o polvos abrasivos que pueden rayar la superficie de acero inoxidable y el esmalte.
- No intente reparar los mecanismos internos de su cocina
- Quite la película de protección antes del primer uso.
- ¡Riesgo de incendio! No guarde material inflamable en el horno ni en el cajón.

PARA SU SEGURIDAD

Bajo ninguna circunstancia ninguna persona deberá retirar ninguna tapa externa para efectuar operaciones de reparación o mantenimiento excepto en caso de personal cualificado.

GARANTÍA – COCINA DE COMBUSTIBLE DOBLE AUTO LIMPIABLE

DURACIÓN DE LA GARANTÍA	LA GARANTÍA ABARCA
GARANTÍA DE UN AÑO COMPLETA A PARTIR DE LA FECHA DE COMPRA PARA TODAS LAS PARTES A EXCEPCIÓN DE LAS PARTES DE CRISTAL EN USO COMERCIAL O DE ALQUILER, QUE TIENEN UNA GARANTÍA DE 90 DÍAS	SUSTITUCIÓN DE PARTES Y TRABAJOS DE REPARACIÓN PARA CORREGIR DEFECTOS DE MATERIAL O FABRICACIÓN. EL SERVICIO DEBERÁ SER PROPORCIONADO POR UNA EMPRESA DE SERVICIOS AUTORIZADA.
GARANTÍA DE 30 DÍAS COMPLETA A PARTIR DE LA FECHA DE COMPRA PARA PARTES DE CRISTAL Y ACABADO DE ESMALTE DE PORCELANA, PARTES ACABADAS EN METAL BRILLANTE O PINTADAS.	SUSTITUCIÓN DE PARTES Y TRABAJOS DE REPARACIÓN PARA CORREGIR DEFECTOS DE MATERIAL O FABRICACIÓN. EL SERVICIO DEBERÁ SER PROPORCIONADO POR UNA EMPRESA DE SERVICIOS AUTORIZADA.
LA GARANTÍA NO ABARCA	
<p>A. Llamadas al servicio para:</p> <ol style="list-style-type: none"> 1. Corregir la instalación de su cocina. 2. Proporcionarle instrucciones sobre el uso de su cocina. 3. Sustituir fusibles domésticos o corregir el cableado doméstico. 4. Sustituir bombillas de luz que el propietario puede él mismo hacer. <p>B. Recogida y entrega. Su cocina ha sido diseñada para ser reparada en casa.</p> <p>C. Daños provocados a la cocina por accidente, uso incorrecto, incendio, inundaciones, causas de fuerza mayor, o por el uso de productos no mencionados en este manual.</p> <p>D. Reparaciones de partes o sistemas causadas por modificaciones no autorizadas realizadas en el aparato.</p> <p>E. Reparaciones de la cocina cuando no ha sido usada normalmente, o sea para un uso doméstico familiar-individual.</p>	

LOS PRODUCTOS AVANTI NO SON RESPONSABLES POR DAÑOS ACCIDENTALES O CONSIGUIENTES

Algunos estados no permiten la exclusión o limitación de daños accidentales o consiguientes, por lo que esta exclusión o limitación puede no ser aplicable en su caso. Esta garantía le otorga derechos legales específicos, aunque tal vez puede tener derechos adicionales que varían en función del estado.

Esta garantía no es válida fuera de los Estados Unidos continentales.

The manufacturer cannot be held responsible for possible inaccuracies due to printing or transcription errors in the present booklet.

The manufacturer reserves the right to make all modifications to its products deemed necessary for manufacture or commercial reasons at any moment and without prior notice, without jeopardising the essential functional and safety characteristics of the appliances.

cod. 1102478 - β2

Free Manuals Download Website

<http://myh66.com>

<http://usermanuals.us>

<http://www.somanuals.com>

<http://www.4manuals.cc>

<http://www.manual-lib.com>

<http://www.404manual.com>

<http://www.luxmanual.com>

<http://aubethermostatmanual.com>

Golf course search by state

<http://golfingnear.com>

Email search by domain

<http://emailbydomain.com>

Auto manuals search

<http://auto.somanuals.com>

TV manuals search

<http://tv.somanuals.com>