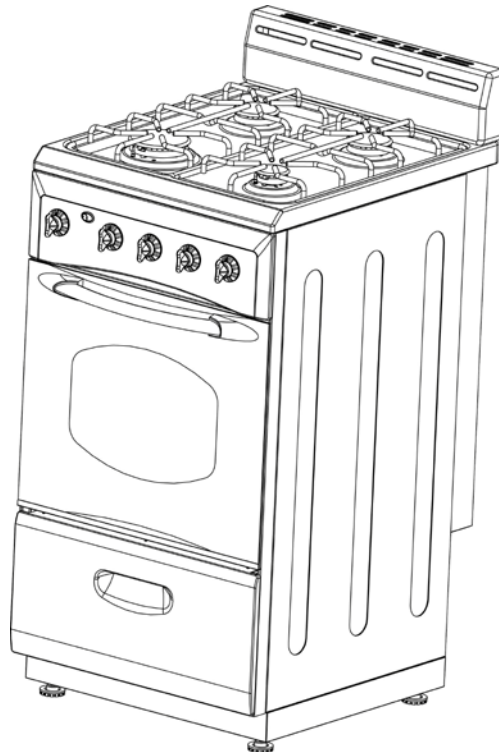




**INSTRUCTION MANUAL
MANUAL DE INSTRUCCIONES**

**Model Number / No. de Modelo: G2002CW / G2003CSS / G2006CB
G2404CW / G2405CSS / G2407CB**

**GAS RANGE
COCINA DE GAS**



BEFORE USE, PLEASE READ AND FOLLOW ALL SAFETY RULES AND OPERATING INSTRUCTIONS. AND SAVE FOR LOCAL GAS AND ELECTRICAL INSPECTOR'S USE.

La sección en español empieza en la página 30.

Avanti Products has a policy of continuous improvement on its products and reserves the right to change materials and specifications without notice.

**Avanti Products, A Division of The Mackle Co., Inc.
P.O. Box 520604 - Miami, Florida 33152
www.avantiproductions.com**

TABLE OF CONTENTS

Range Safety	4
Important Safeguides	5
The Anti-tip Bracket	6
Help Us Help You ...	7
Parts and Features	8 - 9
Before Using Your Gas Range	10 - 11
Important Precautions and Recommendations	12 - 14
How to use the top burners	15 - 16
How to use the Gas oven	17 - 19
Oven light	20
Care and Maintenance	22 - 25
Replacing the Oven Light	25
Leveling the Range	25
Anti-bracket installation	26
Troubleshooting Guide	27 - 28
Service for Your Appliance	28
Your Avanti Products Warranty	29
Instrucciones en Español	31 - 57
Registration Information and Registration Card	59

RANGE SAFETY

Your safety and the safety of others are very important.

We have provided many important safety messages in this manual and on your appliance. Always read and obey all safety messages.



This is the Safety Alert Symbol.

This symbol alerts you to potential hazards that can kill or injure you and others. All safety messages will follow the Safety Alert Symbol and either the words "DANGER", "WARNING" or "CAUTION". These words mean:



Danger means that failure to heed this safety statement may result in severe personal injury or death.



Warning means that failure to heed this safety statement may result in extensive product damage, serious personal injury, or death.



Caution means that failure to heed this safety statement may result in minor or moderate personal injury, or property or equipment damage.

All safety messages will alert you what the potential hazard is, tell you how to reduce the chance of injury, and let you know what can happen if the instructions are not followed.

IN THE COMMONWEALTH OF MASSACHUSETTS

- This product must be installed by a licensed plumber or gas fitter.
- When using ball-type gas shut-off valves, they shall be the T-handle type.
- A flexible gas connector, when used, must not exceed 3 feet in length.

BEFORE YOU BEGIN!

Installation of this range must conform with all local codes, or in the absence of local codes, with the National Fuel Gas Code, ANSI Z223.1 / NFPA.54, latest edition.

In Canada, installation code, CAN/CGA-B149.1 or the current Propane installation code, CAN/CGA-B149.2, and with local codes where applicable.

Installation in Manufactured (Mobile) Homes:

The installation must conform with the Manufactured Home Construction and Safety standard, Title 24 CFR, Part 3280 [formerly the Federal Standard for Mobile Home Construction and Safety, Title 24, HUD (Part 280)} or, when such standard is not applicable, the Standard for Manufactured Home Installations, ANSI/NCSBCS A225.1, or with local codes where applicable.

IMPORTANT SAFEGUIDES



Before the appliance is used, it must be properly positioned and installed as described in this manual, so read the manual carefully. To reduce the risk of fire, electrical shock or injury when using the appliance, follow basic precaution, including the following:

DANGER

- It is recommended that a separate circuit, serving only your appliance be provided. Use receptacles that cannot be turned off by a switch or pull chain.
- Never clean appliance parts with flammable fluids. These fumes can create a fire hazard or explosion. And do not store or use gasoline or other flammable vapors and liquids in the vicinity of this or any other appliance. The fumes can create a fire hazard or explosion.
- Before proceeding with cleaning and maintenance operations, make sure the power line of the unit is disconnected.
- Unplug the appliance or disconnect power before cleaning or servicing. Failure to do so can result in electrical shock or death.
- Do not attempt to repair or replace any part of your appliance unless it is specifically recommended in this manual. All other servicing should be referred to a qualified technician.

WARNING

WARNING: If the information in this manual is not followed exactly, a fire or explosion may result causing property damage, personal injury or death.

- This appliance shall not be used for space heating. The surface unit should not be operated without cookware. This information is based on safety considerations.
- All openings in the wall behind the appliance and in the floor under the appliance shall be sealed.
- Keep appliance area clear and free from combustible materials, gasoline, and other flammable vapors.
- Do not obstruct the flow of ventilation air.
- Disconnect the electrical supply to the appliance before servicing.
- When removing appliance for cleaning and/or service:
 - Disconnect AC power supply.
 - Carefully remove the range by pulling outward.
- **CAUTION:** Range is heavy. Use care in handling.
- The misuse of oven door (e.g. stepping, sitting, or leaning on them) can result in potential hazards and /or injuries.
- When installing or removing the range for service, a rolling life jack should be used. Do not push against any of the edges of the range in an attempt to slide it into or out of the installation. Pushing or pulling a range (rather than using a lift jack) also increases the possibility of bending the leg spindles or the internal coupling connectors.
- It is important for the appliance to be leveled in order to work properly. You may need to make several adjustments to level it.
- Never allow children to operate, play with or crawl inside the appliance.
- Electrical Grounding Instructions - The appliance must be installed and grounded by a qualified technician in accordance with the National Electrical Code ANSI/NFPA No. 70 (Latest Edition) and local electrical code requirements.
- Replacement Parts – Only authorized replacement parts may be used in performing service on the range. Replacement parts are available from factory authorized parts distributors. Contact the nearest Avanti service center in your area.

THE ANTI-TIP BRACKET

The range will not tip during normal use. However, the range can tip if you apply too much force or weight to the open door without the anti-tip bracket fastened down properly.

To reduce the risk of tipping the appliance, the appliance must be secured by properly installed anti-tip devices packed with the appliance.

	<p> WARNING</p> <p><u>Tip-Over Hazard</u></p> <p>A child or adult can tip the range and be killed.</p> <p>Install the anti-tip device to the range and/or structure per installation instructions.</p> <p>Engage the range to the Anti-tip device installed on the structure.</p> <p>Re-engage the anti-tip device if the range is removed.</p> <p>Failure to follow these instructions can result in death or serious burns to children and adults</p>
 <p>Rear foot of range Anti-Tip Device</p>	<p><u>Making sure the anti-tip device is installed:</u></p> <ul style="list-style-type: none">• Slide the range forward.• Look for the anti-tip device, ensure it is attached securely to the floor.• Slide the range back into place so that the rear foot is under the anti-tip device.

WARNING: IF THE INFORMATION IN THIS MANUAL IS NOT FOLLOWED EXACTLY, A FIRE OR EXPLOSION MAY RESULT CAUSING PROPERTY DAMAGE, PERSONAL INJURY, OR DEATH.

- ✓ Do not store or use gasoline or other flammable vapors and liquids in the vicinity of this or any other appliance.
- ✓ **WHAT TO DO IF YOU SMELL GAS:**
 - Do not try to light any appliance.
 - Do not touch any electrical switch; do not use any phone in your building.
 - Immediately call your gas supplier from a neighbor's phone. Follow the gas supplier's instructions.
 - If you cannot reach your gas supplier, call the fire department.
- ✓ Installation and service must be performed by a qualified installer, service agency, or the gas supplier.

HELP US HELP YOU...

Read this guide carefully.

It is intended to help you operate and maintain your new Gas Range properly.

Keep it handy to answer your questions. If you don't understand something or you need more assistance, please call:

Avanti Customer Service
800-220-5570

Keep proof of original purchase date (such as your sales slip) with this guide to establish the warranty period.

Write down the model and serial numbers.

You'll find them on a plate located on the front bottom wall of the Gas Range.

Please write these numbers here:

Date of Purchase

Model Number

Serial Number

Use these numbers in any correspondence or service calls concerning your Gas Range.

If you received a damaged Gas Range, immediately contact the dealer (or builder) that sold you the Electric Range.

Save time and money. Before you call for service, check the Troubleshooting Guide. It lists causes of minor operating problems that you can correct yourself.

IF YOU NEED SERVICE

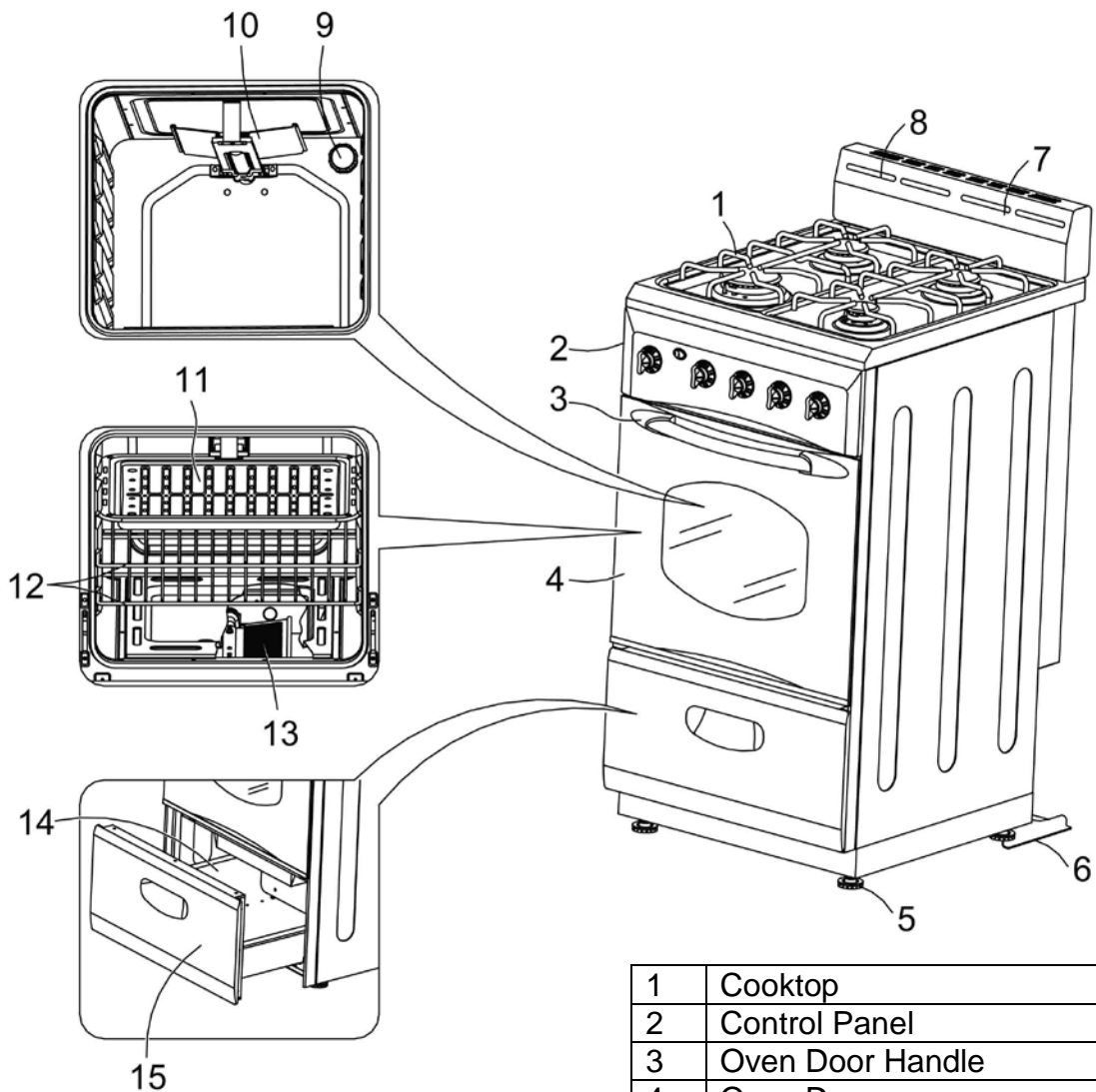
We're proud of our service and want you to be pleased. If for some reason you are not happy with the service you receive, here are some steps to follow for further assistance.

FIRST, contact the people who serviced your Gas Range. Explain why you are not pleased. In most cases, this will solve the problem.

NEXT, if you are still not pleased, write all the details, including your telephone number, and send it to:

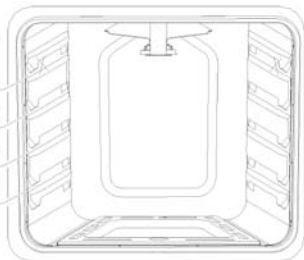
Customer Service
Avanti Products
10880 NW 30 Street
Miami, FL 33172

PARTS & FEATURES



1	Cooktop
2	Control Panel
3	Oven Door Handle
4	Oven Door
5	Leveling Legs
6	Anti-tip Bracket
7	Backsplash
8	Oven Vent
9	Oven Light
10	Broiler Burner
11	Broiler Pan
12	Oven Racks (Total 2)
13	Bake Burner
14	Rating Plate Location
15	Removable Storage Drawer with Integrated Handle

- 1st STEP
Do not use
2nd STEP
3rd STEP
4th STEP

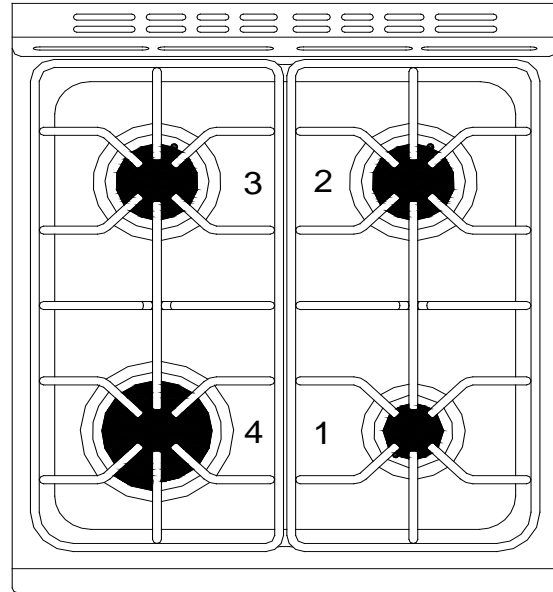


COOKTOP

1. Auxiliary burner (AUX) - 3000 BTU/hr
2. Right semi-rapid burner (SR) - 4600 BTU/hr
3. Left semi-rapid burner (SR) - 4600 BTU/hr
4. Rapid burner (R) - 8600 BTU/hr

Note:

-The electric gas-lighting device is incorporated into the knobs.



CAUTION:

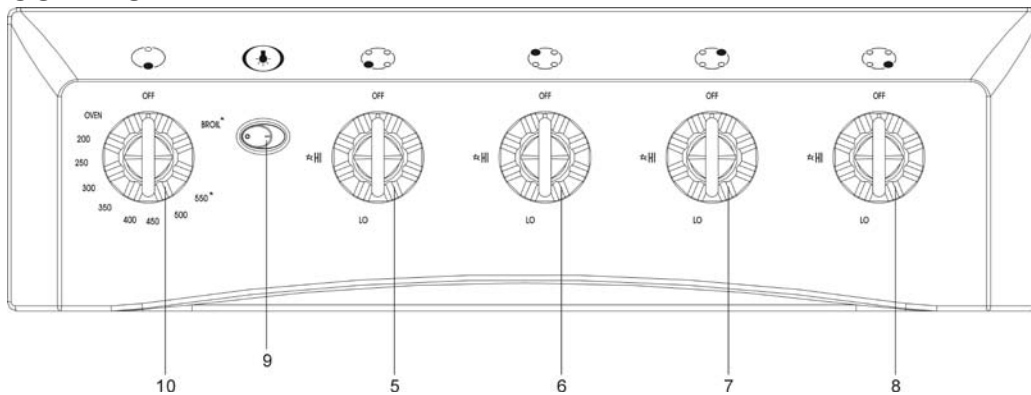
If the burner is accidentally extinguished, turn the gas off at the control knob and wait at least 1 minute before attempting to relight.

CAUTION:

Gas appliances produce heat and humidity in the environment in which they are installed.

Ensure that the cooking area is well ventilated following national/local codes.

CONTROL PANEL



CONTROLS DESCRIPTION

Cooktop Controls		Oven Controls	
5	Front Left Burner Control Knob	9	Oven Light ON / OFF Switch
6	Rear Left Burner Control Knob	10	Oven Temperature Control Knob
7	Rear Right Burner Control Knob		
8	Front Right Burner Control Knob		

BEFORE USING YOUR GAS RANGE



WARNING!!

HAVE THIS RANGE INSTALLED BY A QUALIFIED INSTALLER.
Improper installation, adjustment, alteration, services, or maintenance can cause injury or property damage. Consult a qualified installer, service agency, or the gas supplier.

– Before Using Your Gas Range

- } Remove the exterior and interior packing.
- } Remove the protective film on steel and aluminum parts
- } Check to be sure you have all of the parts listed below
 - λ Backsplash
 - λ LP Gas Conversion Packet
 - λ Anti-tip bracket
 - λ 4 Leveling Legs
 - λ 2 Cooking grids
 - λ 2 Oven racks
 - λ 4 Caps and bases in the burner assembly
 - λ 5 Burner Knobs
 - λ Broiler Tray
 - λ Regulator
- } Clean the interior surface with lukewarm water using a soft cloth
- } Have the installer show you the location of the range's gas shut-off valve and how to shut it off if necessary.
- } Have your range installed and properly grounded by a qualified installer in accordance with the installation instructions.
- } Do not attempt to repair or replace any part of your range unless it is specifically recommended in this manual.
- } Be sure your range is correctly adjusted by a qualified service technician or installer for the type of gas (natural or LP) that is being used.
- } Do not remove permanently affixed labels, warnings, or plates from the product. This may void the warranty.
- } The installer should leave these instructions with the consumer who should retain for local inspector's use and for future reference.
- } Please observe all local and national codes and ordinances.

– **Important:**

This appliance is designed and manufactured solely for the cooking of domestic (household) food and is not suitable for any non domestic application and therefore CANNOT be used in a commercial environment.

The appliance guarantee will be void if the appliance is used within a non domestic environment i.e. a semi commercial, commercial or communal environment.

Read the instructions carefully before installing and using the appliance.

CAUTION: this appliance must only be installed in a permanently ventilated room in compliance with the applicable regulations.

It is advised to follow these instructions:

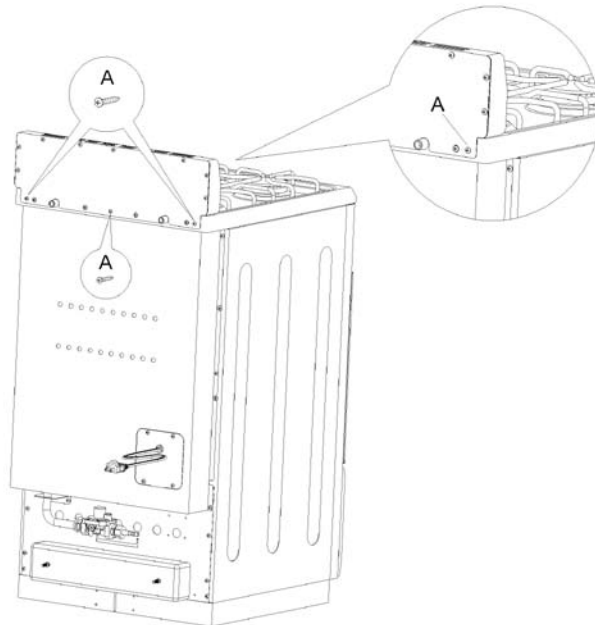
-] Clean the interior of the oven with a clean cloth soaked in water and detergent (neutral, then dry carefully).
-] Furnish the interior of the oven by inserting the shelves and tray.
-] Turn the oven on to the maximum temperature to eliminate any possible traces of grease from the oven burner. The same operation should be followed for the broiler burner.

– **Assembling the Backsplash:**

It is MANDATORY to install the backsplash as it also serves as the oven vent.

Assemble the backsplash as shown.

- a) Screw the two (2) screws "A" in the appropriate holes on each side of the backsplash.
- b) Screw the central screw in the middle portion of the backsplash.




PRECAUTIONS & RECOMMENDATIONS

→ IMPORTANT PRECAUTIONS AND RECOMMENDATIONS

After having unpacked the appliance, check to ensure that it is not damaged and that the oven door closes correctly. In case of doubt, do not use it and consult your supplier or a professionally qualified technician.

Packing elements (i.e. plastic bags, polystyrene foam, nails, packing straps, etc.) should not be left around within easy reach of children, as these may cause serious injuries.

The packaging material is recyclable and is marked with the recycling symbol .

- } Do not attempt to modify the technical characteristics of the appliance as this may cause danger to users.
- } Do not carry out cleaning or maintenance operations on the appliance without having previously disconnected it from the electric power supply.
- } If you should decide not to use this appliance any longer (or decide to substitute an older model), before disposing of it, it is recommended that it be made inoperative in an appropriate manner in accordance to health and environmental protection regulations, ensuring in particular that all potentially hazardous parts be made harmless, especially in relation to children who could play with unused appliances.
Remove the door before disposal to prevent entrapment..
After use, ensure that the knobs are in **OFF** position.
- } Do not allow children or other unqualified people to use the appliance without your supervision.
- } During and after use of the range, certain parts will become very hot. Do not touch hot parts.
- } Keep children away from the range when it is in use
- } **Fire risk!** Do not store flammable material in the oven or in the bottom drawer.
- } Make sure that electrical cables connecting other appliances in the proximity of the range cannot come into contact with the hob or become entrapped in the oven door.
- } Do not line the oven walls top and bottom with aluminium foil. Do not place shelves, pans, backing trays broil tray or other cooking utensils on the base of the oven chamber.
- } The manufacturer declines all liability for injury to persons or damage to property caused by incorrect or improper use of the appliance.
- } To avoid any possible hazard, the appliance must be installed by qualified personnel only. Any repairs by unqualified persons may result in electric shock or short circuit. In order to avoid possible injuries to your body or to the appliance, do not attempt any repairs by yourself. Such work should be carried out by qualified service personnel only.
- } **Danger of burns!** The oven and cooking accessories may become very hot during operation. Make sure children are kept out of reach and warn them accordingly. To avoid burns use kitchen clothes and gloves when handling hot parts or utensils.
- } Stand away from the range when opening oven door. Hot air or steam which escapes can cause burns to hands, face, and/or eyes.
- } Never clean the oven with a high-pressure steam cleaning device, as it may provoke a short circuit.
- } This appliance is intended for use in your household. Never use the appliance for any other purpose!

- **IMPORTANT PRECAUTIONS AND RECOMMENDATIONS FOR USE OF ELECTRICAL APPLIANCES**

Use of any electrical appliance implies the necessity to follow a series of fundamental rules.

In particular:

- ✓ Never touch the appliance with wet hands or feet;
- ✓ Do not operate the appliance barefooted;
- ✓ Do not allow children or disabled people to use the appliance without your supervision.

The manufacturer cannot be held responsible for any damages caused by improper, incorrect or unreasonable use of the appliance

- **GENERAL INFORMATION**



WARNING!!

1. This appliance shall not be used for space heating. This information is based on safety considerations.
 2. All openings in the wall behind the appliance and in the floor under the appliance shall be sealed.
 3. Keep appliance area clear and free from combustible materials, gasoline, and other flammable vapors.
 4. Do not obstruct the flow of combustion and ventilation air.
 5. Disconnect the electrical supply to the appliance before servicing.
 6. When removing appliance for cleaning and/or service;
 - A. Shut off gas at main supply.
 - B. Disconnect AC power supply.
 - C. Disconnect gas line to the inlet pipe.
 - D. Carefully remove the range by pulling outward.
- CAUTION: Range is heavy; use care in handling.**
7. The misuse of oven door (e.g. stepping, sitting, or leaning on them) can result in potential hazards and/or injuries.
 8. When installing or removing the range for service, a rolling lift jack should be used. Do not push against any of the edges of the range in an attempt to slide it into or out of the installation. Pushing or pulling a range (rather than using a lift jack) also increases the possibility of bending the leg spindles or the internal coupling connectors.



WARNING!!

- ELECTRICAL GROUNDING INSTRUCTIONS

FOR PERSONAL SAFETY, THIS APPLIANCE MUST BE PROPERLY GROUNDED.

This appliance is equipped with a three-prong grounding plug for your protection against shock hazard and should be plugged directly into a properly grounded socket. Do not cut or remove the grounding prong from the plug.

Do not under any circumstances cut or remove the third (ground) prong from the power plug. Electrical installation should comply with national and local codes.

- REPLACEMENT PARTS

Only authorized replacement parts may be used in performing service on the range. Replacement parts are available from factory authorized parts distributors. Contact the nearest AVANTI parts distributor in your area.



CARBON MONOXIDE WARNING:

Carbon Monoxide is a possible danger when using any gas powered appliance.

All gas appliances **MUST** be installed by a licensed professional who is familiar with the Carbon Monoxide levels appropriate for each appliance.

The American Gas Association publishes CO emissions for appliances and heating equipment through the ANSI Std. Z21.1

The EPA reports that a maximum CO (Carbon Monoxide) level of 9 PPM over a 24 hour period is the residential interior ambient level standard.

(A properly ventilated home will have a normal CO level of less than 5 PPM.)

NON-VENTED GAS COOKING APPLIANCES:

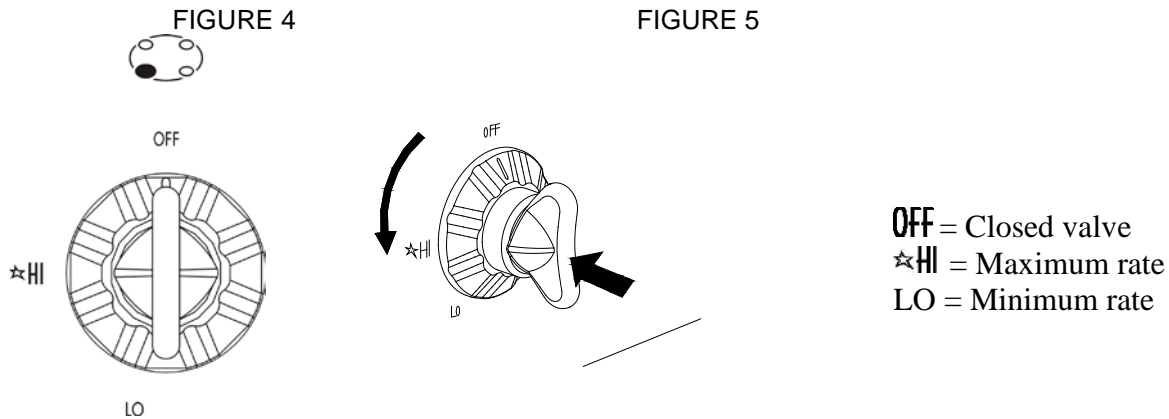
In a residential application are normally used for a short period of time.

The CO generated during the operation will disperse to the air in the home and be purged to the outside through the normal air exchange.

HOW TO USE THE TOP BURNERS

→ GAS BURNERS

Gas flow to the burners is adjusted by turning the knobs which control the valves. Turning the knob so that the indicator line points to the symbols printed on the panel achieves the following functions:



The maximum aperture position permits rapid boiling of liquids, whereas the minimum aperture position allows simmer warming of food or maintaining boiling conditions of liquids.

To reduce the gas flow to minimum, rotate the knob further counter-clockwise to point the LO position.

Other intermediate operating adjustments can be achieved by positioning the indicator between the maximum and minimum aperture positions, and never between the maximum aperture and **OFF** positions.

When the range is not being used, set the gas knobs to their **OFF** positions and also close the gas shut-off valve placed on the main gas supply line.

→ LIGHTING GAS BURNERS

In order to light the burner, you must:

1 – Turn the knob in an anti-clockwise direction up to the **☆HI** position (maximum rate), push in and hold the knob until the flame has been lit. The sparks produced by the lighter situated inside the relative burner will light the flame.

In the event that the local gas supply conditions makes it difficult to light the burner in **☆HI** position, try again with the knob in LO position.

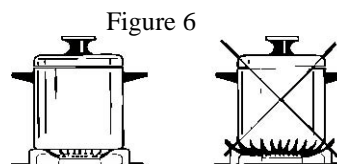
2 – Adjust the gas valve to the desired position.

To re-light the burner, return the knob to the **OFF** position and repeat the operations for lighting.

Caution! The range becomes very hot during operation. Keep children well out of reach.

- **CHOICE OF BURNER** (Fig.6)

DIAMETERS OF PANS WHICH MAY BE USED ON THE TOP BURNERS		
BURNER	MINIMUM	MAXIMUM
Auxiliary	4" 23/32 (12 cm)	5" 1/2 (14 cm)
Semirapid	6" 19/64 (16 cm)	9" 7/16 (24 cm)
Rapid	9" 7/16 (24 cm)	10" 15/64 (26 cm)
Do not use pans with concave or convex bases		



The symbols printed on the panel above the gas knobs indicate the correspondence between the knob and the burner.

The most suitable burner is to be chosen according to the diameter and volume capacity of the container to be warmed.

It is important that the diameter of the pots or pans suitably match the heating potential of the burners in order not to jeopardize the efficiency of the burners, bringing about a waste of gas fuel.

A small diameter pot or pan placed on a large burner does not necessarily mean that boiling conditions are reached quicker.

Make sure that the handles of cookware do not stick out over the edge of the range, to avoid them being knocked over by accident. This also makes it more difficult for children to reach the cooking vessels.

High – Altitude effects on burners:

The surface burners used on this unit range from 3,000 BTU to 8,600 BTU on natural gas installation under 2,000 feet above sea level. Burner strength is de-rated by 4% per 1000 feet.

HOW TO USE THE GAS OVEN

→ GENERAL FEATURES

The gas oven is provided with two burners:

a) Oven burner, mounted on the lower part of the oven:

G2002CW/G2003CSS: 8800 BTU/hr

G2404CW/G2003CSS: 9500 BTU/hr

c) Broil burner, mounted on the upper part of the oven:

G2002CW/G2003CSS: 7200 BTU/hr

G2404CW/G2003CSS: 8000 BTU/hr

→ USING THE OVEN FOR THE FIRST TIME

It is advised to follow these instructions

- Insert shelves and tray
- Turn the oven on to the maximum temperature (position 550) to eliminate possible traces of grease from the oven burner. The same operation should be followed for the broiler burner (knob on position BROIL)
- Switch off the electrical supply, let the oven cool down, then clean the interior of the oven with cloth soaked in water and detergent (neutral) then dry carefully.

→ OVEN BURNER

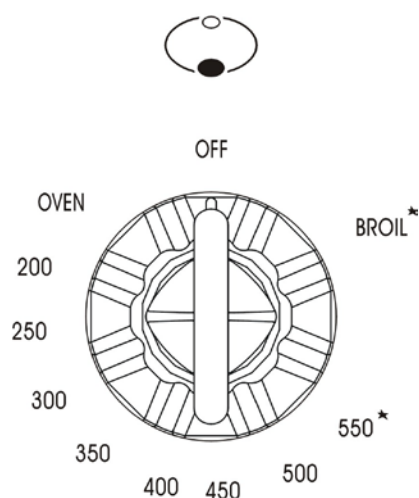
It carries out normal “oven cooking”.

The gas flow to the burner is regulated by a thermostat which allow to maintain the oven temperature constant.

The control of the temperature is assured by a thermostatic probe positioned inside the oven.

The probe must be always kept in its housing, in a clean condition, as an incorrect position or encrustment may cause an alteration in the control of the temperature.

FIGURE 8



GAS OVEN SETTING	
Number printed on the knob Temperature in °F	Corresponding temperature in °C
200	93
250	121
300	149
350	177
400	204
450	232
500	260
550	280

→ OVEN THERMOSTAT

The numbers printed on the control panel (fig. 8) indicate the increasing oven temperature value (°F). To regulate the temperature, set the chosen number onto the control knob indicator. The position BROIL serves only to turn on the broil burner.

NOTE: When the range is not being used, set the gas knobs to their **OFF** positions and also close the gas shut-off valve placed on the main gas supply line.

VERY IMPORTANT The oven/broil shall be used always with the door closed.

→ IGNITION OF THE OVEN BURNER

The thermostat allows the automatic control of the temperature.

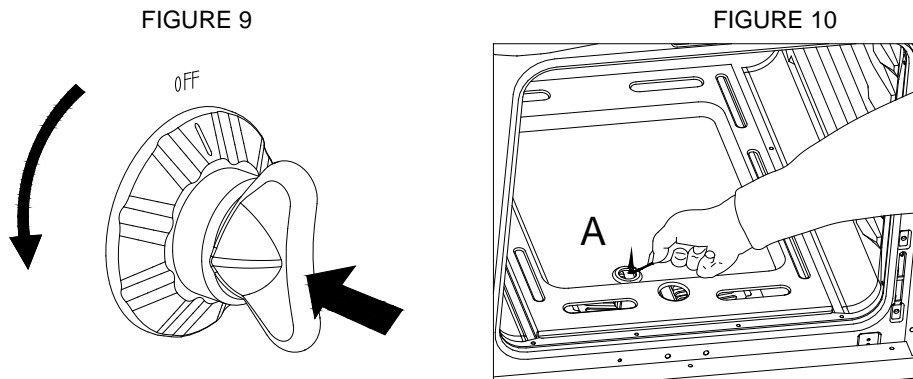
The gas delivery to the oven burner is controlled by a two way thermostatic tap (oven and broil burners) with flame-failure device.

To light the oven burner operate as follows:

- 1) Open the oven door to its full extent.

WARNING: Risk of explosion! The oven door must be open during this operation.

- 2) Lightly press and turn the thermostat knob anti-clockwise (fig. 9) to max position or 550°F



- 3) Press the knob right down to prime the electric ignition and the “Bi, Bi” sound will be heard and keep the knob pressed until the oven burner is lit.

In case of power cut, press the knob and immediately approach a lighted match to the opening “A” (fig. 10).

Never continue this operation for more than 15 seconds. If the burner has still not ignited, wait for about 1 minute prior to repeating the ignition.

- 4) For the first time to use or after long-time not used, wait about 10/15 seconds after the burner lighting before releasing the knob (time of priming of the valve).

Pus the Gas oven / gas broil burner control knob, the broil burner of the bake burner can be ignited automatically.

- 5) Close the oven door slowly and adjust the burner according to the power required. If the flame extinguishes for any reason, the safety valve will automatically shut off the gas supply to the burner.

To re-light the burner, first turn the oven control knob to position **OFF** , wait for at least 1 minute and then repeat the lighting procedure.

Attention: the oven door becomes very hot during operation. Keep children away.

– OVEN COOKING

Before introducing the food, preheat the oven to the desired temperature

For a correct preheating operation, it is advisable to remove the tray from the oven and introduce it together with the food, when the oven has reached the desired temperature.

Check the cooking time and turn off the oven 5 minutes before the theoretical time to recuperate the stored heat.

– IGNITION OF THE BROIL BURNER

The broil burner generates the infra-red rays for broiling. To light the broil burner operate as follow:

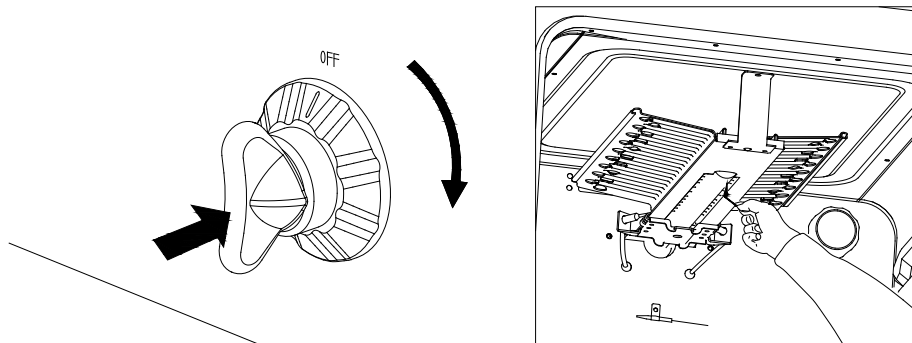
1) Open the oven door to the full extent.

WARNING: Risk of explosion! The oven door must be open during this operation

2) Lightly press and turn the thermostat knob clockwise to the (fig. 11).

(FIGURE 11)

(FIGURE 12)



3) Press the knob right down to prime the electric ignition and the “Bi, Bi” sound will be heard and keep the knob pressed until the broil burner is lit.

In case of power cut, press the knob and put a lighted match to the right and left side of the burner (fig. 12).

Never continue this operation for more than 15 seconds. If the burner has still not ignited, wait for about 1 minute prior to repeating the ignition.

4) For the first time to use or after long-time not used, wait about 15 seconds after the burner lighting before releasing the knob (time of priming of the valve).

5) Close the oven door slowly.

If the flame extinguishes for any reason, the safety valve will automatically shut off the gas supply to the burner.

To re-light the burner, first turn the oven control knob to position **OFF**, wait for at least 1 minute and then repeat the lighting procedure.

Do always broil with oven door closed. Attention: the oven door becomes very hot during operation. Keep children away.

– OVEN LIGHT

The range is equipped with a light that illuminates the oven to enable visually controlling the food that is cooking.

This light is controlled by a push button on the control panel (Fig. 13).

FIGURE 13

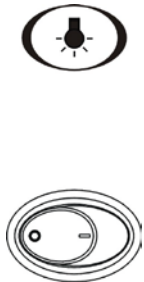
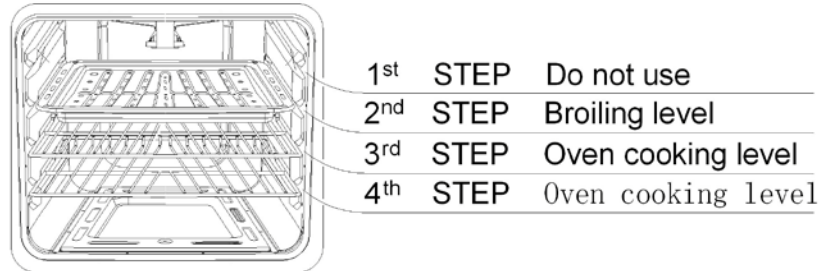


FIGURE 14



– BROILING

Very important: the broil burner must always be used with the oven door closed.

Position the shelf on the second level from the top (fig. 14).

-Turn on the broil burner, as explained in the preceding paragraphs and let the broil burner preheat for about 5 minutes with the door closed.

-Place the food to be cooked above the broiling pan.

-Introduce the broiling pan in the oven (fig. 15). The broiling pan should be placed above the shelf and it should be centered with the broil burner (fig.14)

FIGURE 15

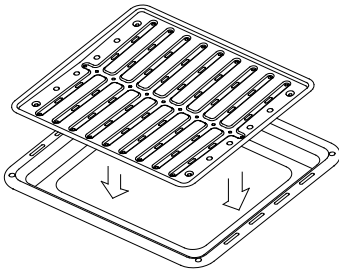


Figure 16

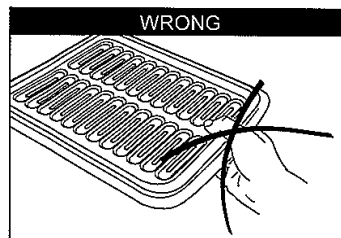
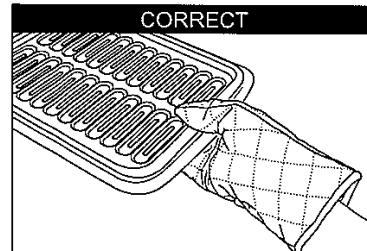


Figure 17





WARNING!!

WARNING-VERY IMPORTANT NOTICE

Never obstruct the oven vent slots on the backsplash.

Do not broil without using the broiling pan.

Important: Use always suitable protective gloves when inserting / removing the broiling pan, shelves, pans or other cooking utensils from the oven.

Attention: the range becomes very hot during operation.

Attention: the oven door becomes very hot during operation.

Keep children away.

WARNING: The door is hot, use the handle.

CARE & MAINTENANCE

→ GENERAL RECOMMENDATION

Figure 18

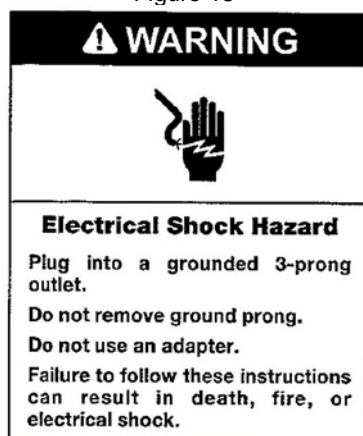
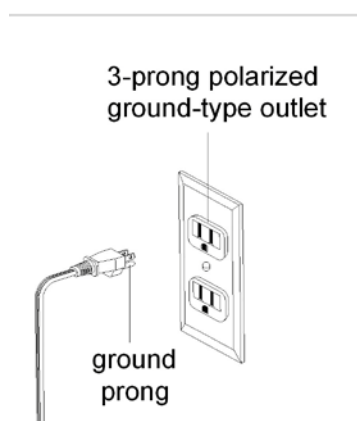


Figure 19



Important: Before any operation of cleaning and maintenance disconnect the appliance from the electrical supply.

It is advisable to clean when the appliance is cold and especially for cleaning the enameled parts. .

Avoid leaving alkaline or acidic substances (lemon juice, vinegar, etc.) on the surfaces.

Avoid using cleaning products with a chlorine or acidic base.

The oven must always be cleaned after every use, using suitable products and keeping in mind that its operation for 30 minutes on the highest temperature eliminates most grime reducing it to ashes.

→ ENAMELED PARTS

All the enameled parts must be cleaned with a sponge and soapy water only or other non-abrasive products.

Dry preferably with a chamois leather.

If acid substances such as lemon juice, tomato conserve, vinegar etc. are left on the enamel for a long time they will etch it, making it opaque.

→ STAINLESS STEEL ELEMENTS

Stainless steel parts must be rinsed with water and dried with a soft and clean cloth or with a chamois leather.

For difficult dirt, use a specific non-abrasive product available commercially or a little hot vinegar.

Note: regular use could cause discoloring around the burners, because of the high flame temperature.

→ INSIDE OF OVEN

This must be cleaned regularly. With the oven warm, wipe the inside walls with a cloth soaked in very hot soapy water or another suitable product.

→ GAS VALVES

In the event of operating faults in the gas valves, call the Service Department.

NOTE: Oven bulb replacement is not covered by your guarantee.

**WARNING
VERY IMPORTANT**

Before any operation of maintenance disconnect the appliance from the electrical mains supply.

Do not use steam jet cleaners because the humidity could infiltrate into the appliance making it dangerous.

– **BURNERS AND GRIDS**

- } These parts can be removed and cleaned with appropriate products.
- } After cleaning, the burners and their flame distributors must be well dried and correctly replaced.
- } It is very important to check that the burner flame distributor and the cap has been correctly positioned - failure to do so can cause serious problems.
- } In appliances with electric ignition keep the electrode clean so that the sparks always strike.
- } **Note: To avoid damage to the electric ignition do not use it when the burners are not in place.**

CORRECT REPLACEMENT OF THE BURNERS

It is very important to check that the burner flame spreader “F” and the cap “C” have been correctly positioned (see figs. 20 and 21). Failure to do so can cause serious problems.

Figure 20

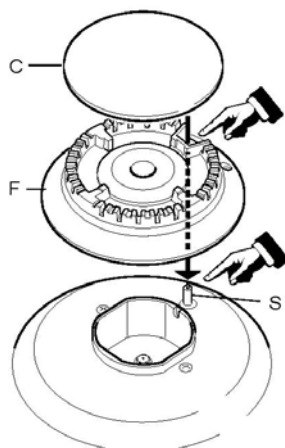
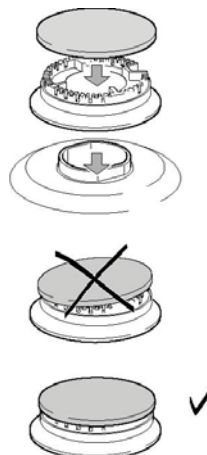


Figure 21



In appliances with electric ignition, check that the electrode “S” (fig. 20) is always clean to ensure trouble-free sparking.

The ignition plug must be very carefully cleaned.

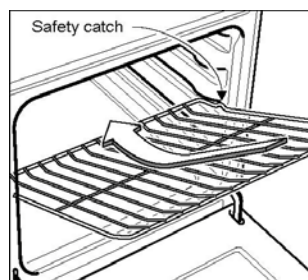
– **OVEN SHELF INSTALLATION AND REMOVAL**

The oven shelves are provided with a security block to prevent accidental extraction. They must be inserted operating as per figure 22.

To pull them out remove shelf in the inverse order.

Keep attention to insert the shelves correctly (see side figure).

Figure 22



– OVEN DOOR

The internal glass of the oven door can be easily removed for cleaning by unscrewing the two lateral fixing screws (fig. 23).

Figure 23

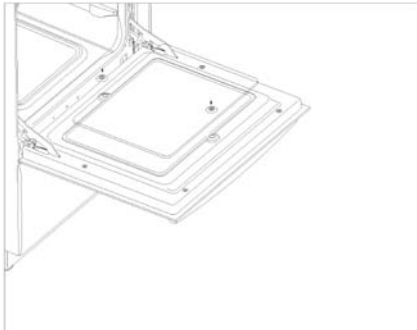
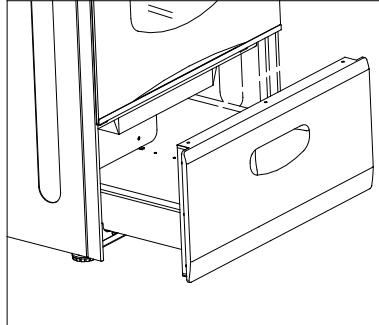


figure 24



– REMOVABLE STORAGE DRAWER

The drawer (fig. 24) comes out like a normal drawer. To remove the drawer open and lift it.

Do not store flammable material in the oven or in the bottom drawer.

– REMOVING THE OVEN DOOR

To facilitate oven cleaning, it is possible to remove the door. Please follow the instructions carefully:

– REMOVING THE OVEN DOOR

- The oven door can easily be removed as follows:
- Open the door to the full extent (fig. 25).
- Attach the retaining rings to the hooks on the left and right hinges (Fig. 25a)
- Hold the door as shown in Fig. 25d.
- Gently close the door and withdraw the lower hinge pins from their location (Fig.25b)
- Withdraw the upper hinge pins from their location (Fig. 25c).
- Reset the door on a soft surface.
- To replace the door, repeat the above steps in reverse order.

Figure 25

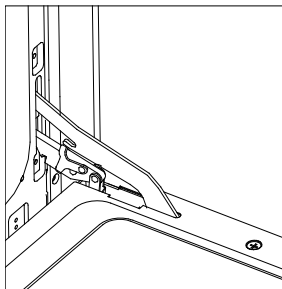


Figure 25a

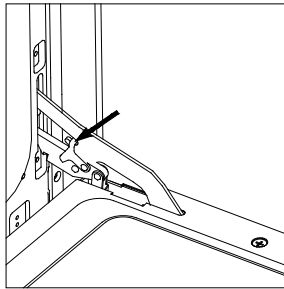


Figure 25b

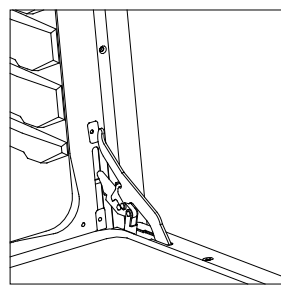


Figure 25c

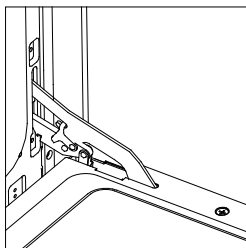
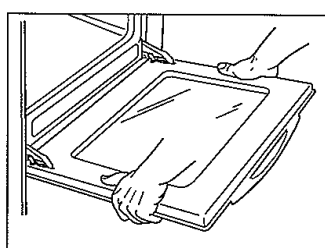
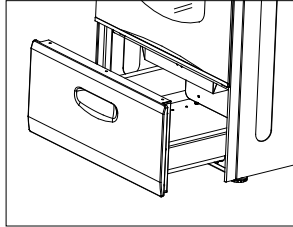


Figure 25d



– REMOVABLE STORAGE DRAWER

For cleaning, you can remove the drawer by pulling it out until the stop point and lifting it up.
Never store any flammable material in the drawer.



– REPLACING THE OVEN LIGHT

Before any maintenance is started involving electrical parts of the appliance, it must be disconnected from the power supply.

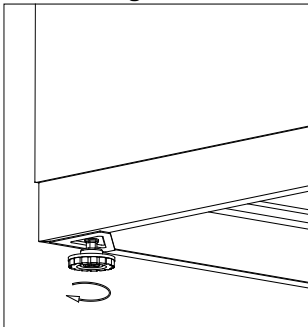
- Let the oven cavity and broil burner cool down.
- Switch off the electric supply.
- Remove the protective cover.
- Unscrew and replace the bulb with a new one suitable for high temperature (200°F ~ 550°C) having the same specifications: 120V 60Hz, 15W, E14.
- Replace the protective cover.

NOTE: Oven bulb replacement is not covered by your guarantee.

– LEVELING THE RANGE

The range must be level to obtain proper operating. The four screws type leveling legs located on the corners at the bottom of range should be adjusted by turning them clockwise to make the range higher or counter-clockwise to lower the range until the range is level. Use a level on surface units to check the leveling of the range (Please see Fig.26).

Figure 26

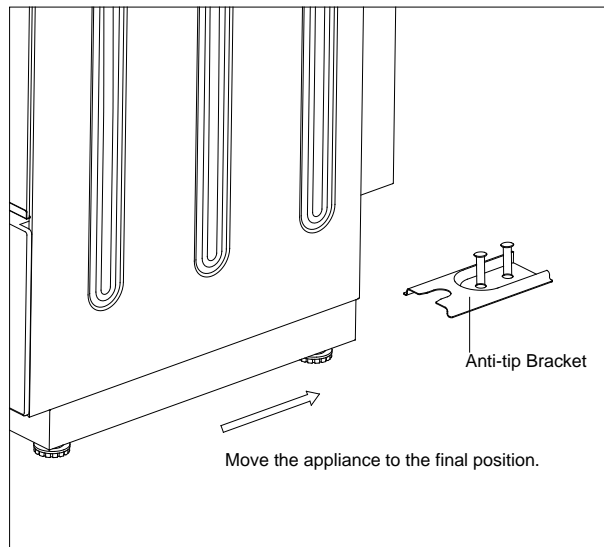
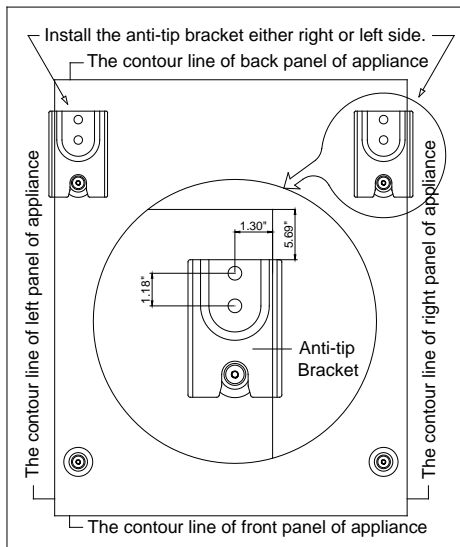


ANTI-TIP BRACKET INSALLATION

To reduce the risk of tipping the range by abnormal usage or improper door loading, the range must be secured by properly installing the anti-tip device packed with the appliance.

- Place the anti-tip bracket on the floor as shown figure. Anti-tip bracket can be installed on either right or left side.
- Make the locations of 2 holes of ant-tip bracket on the floor.
- Use a 5/16" masonry drill bit and insert plastic anchor.
- Secure bracket to floor using screws supplied.
- Slide appliance into position.

NOTE: If range is relocated, the bracket must be removed and installed in new location.



PROBLEMS WITH YOUR GAS RANGE?

You can solve many common appliance problems easily, saving you the cost of a possible service call. Try the suggestions below to see if you can solve the problem before calling the servicer.

TROUBLESHOOTING GUIDE

FIND YOUR PROBLEM HERE	POSSIBLE CAUSE	HOW TO FIX IT
Surface burners do not light.	Surface control has not been completely turned to the ON position.	Push in and turn control to the ON position until burner ignites, then turn control to desired flame setting.
	Burner ports are clogged.	Use a small gauge wire or needle to open ports.
	Burners not positioned properly.	Verify that the burners are positioned properly on the orifice hoods and the burners are sitting flat on the burner support with tabs engaged in slots.
	Range not set for appropriate gas input.	See range conversion section of installation manual.
	Pilot lights won't light due to power failure.	Light pilots manually.
	Range power cord is disconnected from the outlet.	Be sure power cord is plugged into grounded outlet.
Flame burns halfway round.	Burner ports are clogged.	Use a small gauge wire or needle to open ports.
	Moisture is present after cleaning.	Lightly fan the flame and allow burner to operate until flame is full. OR dry burners thoroughly following instructions in range "Cleaning" section.
	Range is not set for appropriate gas input.	See range conversion section of installation manual.
Flame is orange.	Dust particles in main line.	Allow burner to operate for a few minutes until flame turns blue.
	Range is not set for appropriate gas input.	See range conversion section of installation manual.
Oven light does not work.	Burned out or loose bulb	Tighten or replace oven light bulb.
Oven or broiler does not heat.	Range is not set for appropriate gas input.	See range conversion section of installation manual.
	Temperature control not set properly.	Make sure temperature control is set at desired temperature.
	Pilot light will not light due to power failure.	Light pilots manually.
	House fuse has blown or circuit breaker has tripped.	Check/reset circuit breaker and/or replace fuse. Do not increase fuse capacity. If the problem is a circuit overload, have it corrected by a qualified electrician.
	Range cord is disconnected from outlet.	Be sure the power cord is plugged into a grounded outlet.
Oven temperature is inaccurate.	Oven capillary bulb not positioned properly.	Verify that capillary bulb is snapped in clips straight and not touching sides or coated with oven cleaner or food.
	Temperature control not set properly.	Make sure the temperature control knob is set at the desired temperature.
	Improper use of foil.	Keep foil clear of holes in oven bottom and off of oven sides.

	Vent blocked.	Keep vent on backsplash clear.
	Range not set for appropriate gas input.	See range conversion section of installation manual.
Smoke or odor on initial oven operation.	This is normal.	
Range is not level.	Poor installation.	Place oven rack in center of oven. Place a level on the rack. Adjust leveling legs.
	Weak or unstable floor.	Be sure floor is level and can adequately support range. Contact carpenter to correct sagging or sloping floor.
	Kitchen cabinet misalignment may make range appear to be unlevelled.	Be sure cabinets are square and have sufficient room for range clearance. Contact cabinet maker to correct problem
Oven smokes excessively.	Meat too close to broiler burner.	Reposition the broiler pan to provide more clearance between the meat and the broiler burner
	Meat not prepared properly.	Remove excess fat from meat.

SERVICE FOR YOUR GAS RANGE

We are proud of our customer service organization and the network of professional service technicians that provide service on your Avanti appliances. With the purchase of your Avanti appliance, you can have the confidence that if you ever need additional information or assistance, the Avanti Products Customer Service team will be here for you. Just call us toll-free.

AVANTI PRODUCTS CUSTOMER SERVICES

Product Information 800-323-5029	Whatever your questions are about our products, help is available.
Part Orders 800-220-5570	You may order parts and accessories that will be delivered directly to your home by personal check, money order, Master Card, or Visa.
In-Home Repair Service 800-220-5570	An Avanti Products authorized service center will provide expert repair service, scheduled at a time that is convenient for you. Our trained servicers know your appliance inside and out.

YOUR AVANTI PRODUCTS WARRANTY	Staple your sales receipt here. Proof of original purchase date is needed to obtain service under warranty.
WHAT IS COVERED – LIMITED ONE-YEAR WARRANTY	
<p>Avanti Products warrants that the product is free from defects in materials and/or workmanship for a period of twelve (12) months from the date of purchase by the original owner. The foregoing timeline begins to run upon the date of purchase, and shall not be stalled, tolled, extended, or suspended for any reason whatsoever unless described in detail in the warranty document. For one year from the date of purchase by the original owner, Avanti products will, at its option, repair or replace any part of the product which proves to be defective in material or workmanship under normal use. Avanti Products will provide you with a reasonably similar product that is either new or factory refurbished. During this period Avanti Products will provide all parts and labor necessary to correct such defects free of charge, so long as the product has been installed and operated in accordance with the written instructions in this manual. In rental or commercial use, the warranty period is 90 days. All Avanti appliances of 3.5 cubic feet capacity or less must be brought/sent to the appliance service center for repair.</p>	
FULL 30 – DAY WARRANTY	
From the date of purchase on glass parts and finish of porcelain enamel, painted, or bright metal finished parts.	
WARRANTY EXCLUSIONS / WHAT IS NOT COVERED:	
The warranty coverage described herein excludes all defects or damage that are not the direct fault of Avanti Products, including without limitation, one or more of the following:	
<ul style="list-style-type: none"> • A failure to comply with any applicable state, local, city, or county electrical, plumbing and/or building codes, regulations, or laws, including failure to install the product in strict conformity with local fire and building codes and regulations. • Any external, elemental and/or environmental forces and factors, including without limitation, rain, wind, sand, floods, fires, mud slides, freezing temperatures, excessive moisture or extended exposure to humidity, lightning, power surges, structural failures surrounding the appliance, and acts of God. 	
<ul style="list-style-type: none"> • Content losses of food or other content due to spoilage. • Incidental or consequential damages • Parts and labor costs for the following will not be considered as warranty: <ul style="list-style-type: none"> • Evaporator doors, door springs, and/or frames. • Inner door panels, door shelves, door rails, and/or door supports. • Chest freezer lid liners. • Vegetable crispers. • Light bulbs and/or plastic housing. • Plastic cabinet liners. • Punctured evaporator that voids the warranty on the complete sealed system. 	<ul style="list-style-type: none"> • Shipping and handling costs associated with the replacement of the unit. • Repairs performed by unauthorized servicers. • Service calls that are related to external problems, such as abuse, misuse, inadequate electrical power, accidents, fire, floods, or any other acts of God. • Failure of the product if it is used for other than its intended purpose. • The warranty does not apply outside the Continental USA. • Surcharges including but not limited to, any after hour, weekend, or holiday service calls, tolls, ferry trip charges, or mileage expense for service calls to remote areas.
<p>In no event shall Avanti Products have any liability or responsibility whatsoever for damage to surrounding property, including cabinetry, floors, ceilings, and other structures and/or objects around the product. Also excluded from this warranty are scratches, nicks, minor dents, and other cosmetic damages on external surfaces and exposed parts; Products on which the serial numbers have been altered, defaced or removed; service visits for customer education, or visits where there is nothing wrong with the product; correction of installation problems (you are solely responsible for any structure and setting for the product, including all electrical, plumbing and/or other connecting facilities, for proper foundation/flooring, and for any alterations including without limitation cabinetry, walls, floors, shelving etc., as well as the resetting of breakers or fuses.</p>	
OUT OF WARRANTY PRODUCT	
Avanti Products is under no obligation, at law or otherwise, to provide you with any concessions, including repairs, pro-rates, or product replacement, once this warranty has expired.	
<small>WARRANTY – RANGES / TOASTER OVENS</small>	

SEGURIDAD DE LA COCINA

Su seguridad y la seguridad de otros son muy importantes.

Hemos incluido muchos mensajes de seguridad en este manual y también en su artefacto. Siempre lea y siga todos los mensajes de seguridad.



Este es el símbolo de Alerta de Seguridad.

Este símbolo lo alerta de riesgos potenciales de los que pueden resultar en heridas o muertes. Todos los Mensajes de Seguridad estarán precedidos por el símbolo de Alerta de Seguridad y por una de estas palabras: "PELIGRO", "ADVERTENCIA" o "PRECAUCIÓN". Estas palabras significan:



Peligro significa que el no seguir la medida de seguridad indicada podría resultar en graves daños personales o inclusive muerte.



Advertencia significa que el no seguir la medida de seguridad indicada podría resultar en daños extensos al producto, grave daño personal o inclusive muerte.



Precaución significa que el no seguir la medida de seguridad indicada podría resultar en daños personales menores o moderados, o daños a la propiedad o equipo.

Todos los Mensajes de Seguridad lo alertarán y le indicarán que riesgo potencial existe, como reducir el riesgo y también que podría pasar en caso de no seguir las instrucciones.

EN MASSACHUSETTS

- Este producto debe ser instalado por un plomero o gasfitero que tenga licencia.
- Cuando se use el gas de tipo de bola, cierre las válvulas, las cuales deben ser del tipo de manija en forma de T.

ANTES DE EMPEZAR!

La instalación de esta cocina debe conformar con todos los códigos de seguridad locales, o en la ausencia de códigos de seguridad locales deben cumplir con los Códigos Nacionales de Gas Combustible, ANSI Z223.1 / NFPA.54, la última edición.

En Canadá, con el Código de Instalación, CAN/CGA-B149.1 o el Código de Instalación de Gas Propano actualizado, CAN/CGA-B149.2, y con los códigos locales donde apliquen.

Instalación en Casas Móviles Pre-Fabricadas:

La instalación debe ser conforme a los estándares de Construcción y Seguridad de Fabricación de Casas, Título 24 CFR, Parte 3280 [previamente el Estándar Federal de Construcción y Seguridad de Casas Móviles , Título 24, HUD (Parte 280)} o, cuando dicho estándar no es aplicable, entonces debe ser conforme al estándar de Instalación para Casas en Fabricación, ANSI/NCSBCS A225.1, o a los códigos de seguridad locales donde se apliquen..

MEDIDAS DE SEGURIDAD IMPORTANTES



Antes de usar su electrodoméstico, debe posicionarlo e instalarlo tal como describimos en este manual, por lo tanto lea el manual cuidadosamente. Para reducir el riesgo de fuego, choque eléctrico o daño cuando use el electrodoméstico, siga estas precauciones básicas, incluyendo las siguientes:

DANGER

- Se recomienda que use un circuito separado (independiente) para su electrodoméstico. Use receptáculos que no se apaguen con un interruptor o cadena.
- Nunca limpie las piezas del electrodoméstico con líquidos inflamables. Estos vapores pueden crear el riesgo de fuego o explosión. Asimismo, no almacene o use gasolina u otros vapores o líquidos inflamables cerca a este u otro electrodoméstico. Los vapores pueden crear el riesgo de fuego o explosión.
- Antes de proceder con la operación de limpieza y mantenimiento, asegúrese que la unidad este apagada y desconectada de la fuente de poder o energía.
- Desenchufe el electrodoméstico o desconecte la electricidad antes de limpiarlo o darle mantenimiento. El no hacerlo puede resultar en choque eléctrico o muerte.
- No intente reparar o reemplazar ninguna parte de su electrodoméstico a no ser que sea recomendado específicamente en este manual. Cualquier otro tipo de mantenimiento debe ser hecho por un técnico especializado.

WARNING

ADVERTENCIA: Si la información de este manual no se sigue al pie de la letra, fuego o explosión podrían ocasionarse, causando daños a la propiedad, daños personales o inclusive muerte.


- Este electrodoméstico no se debe usar para calentar el ambiente. Las hornillas solo se deben usar cuando vaya a cocinar y use ollas. Esta información está basada en consideraciones de seguridad.
- La pared detrás de este electrodoméstico y el piso bajo este electrodoméstico deben estar sellados y no tener aperturas.
- Mantenga el área del electrodoméstico limpia y libre de materiales combustibles, gasolina, y otros vapores inflamables.
- No obstruya la circulación del aire o ventilación.

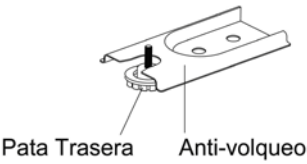
- Desconecte la fuente de poder o energía del electrodoméstico antes de darle mantenimiento.
- Cuando mueva el electrodoméstico para limpiarlo y/o darle mantenimiento:
 - Desenchufe de la electricidad AC.
 - Cuidadosamente remueva la cocina halándola hacia afuera.
- **PRECAUCIÓN:** La cocina es pesada. Tenga cuidado cuando la mueva.
- El uso inapropiado de la puerta del horno (por ej. Pararse, sentarse o apoyarse en la puerta) puede ocasionar riesgos potenciales y/o daños.
- Cuando instale o retire la cocina para darle mantenimiento, use un carrito deslizante. No empuje ninguno de los bordes de la cocina tratando de sacarla o regresarla a su sitio. Empujar o halar la cocina, en lugar de usar un carrito deslizante, también aumenta la posibilidad de doblar las patas o los conectores.
- Es importante que el electrodoméstico este nivelado para que funcione correctamente. Tal vez sea necesario ajustar las patas para que este nivelado..
- Nunca deje que los niños operen, jueguen o entren dentro del electrodoméstico.
- Instrucciones para electricidad a tierra – El electrodoméstico debe ser instalado y cableado a tierra por un técnico calificado, de acuerdo con el Código Eléctrico Nacional ANSI/NFPA No. 70 (Edición mas reciente) y de acuerdo a los requerimientos eléctricos locales.
- Piezas de repuesto – Solo debe utilizar piezas de reemplazo autorizadas por Avanti para darle mantenimiento a la cocina. Piezas de repuesto están disponibles en los Distribuidores de Fabrica autorizados. Contáctese con el Centro de Servicio de Avanti más cercano a ud.

EL ELEMENTO ANTI-VOLQUEO

La cocina no se volquea durante el uso normal. Sin embargo la cocina de puede volcar si aplica demasiada fuerza o peso a la puerta abierta. Para evitarlo use y asegure el elemento anti-volqueo.

Para reducir el riesgo de volcar el electrodoméstico, este debe ser instalado y asegurado con los elementos anti-volqueo incluidos en el paquete de su electrodoméstico.

	<div style="text-align: center;">  <h1>ADVERTENCIA</h1> </div> <ul style="list-style-type: none"> • TODAS LAS COCINAS SE PUEDEN VOLCAR • LA PERSONA PUEDE SUFRIR DAÑOS • UTILICE LOS ELEMENTOS ANTI-VOLQUEO EMPACADOS CON LA COCINA • SIGA LAS INSTRUCCIONES DE INSTALACION
---	--

 <p>Pata Trasera Anti-volqueo</p>	<p>Asegúrese que el elemento anti-volqueo esté instalado:</p> <ul style="list-style-type: none">• Deslice la cocina hacia adelante.• Verifique que el elemento anti-volqueo está asegurado contra el piso.• Deslice la cocina hacia atrás de manera que la pata trasera de la cocina quede debajo del elemento anti-volqueo.
---	--

ADVERTENCIA: Si la información de este manual no se sigue al pie de la letra, un fuego o explosión podrían ocasionarse, causando daños a la propiedad, daños personales o inclusive muerte.

No almacene ni use gasolina ni otros líquidos o vapores inflamables cerca a este u otro electrodoméstico.

QUE HACER SI HUELE GAS:

No trate de encender ningún electrodoméstico.

No toque ningún interruptor eléctrico; no use ningún teléfono en el edificio.

Llame a su proveedor de gas inmediatamente desde de la casa de algún vecino.

La instalación y servicio deben ser efectuados por un instalador calificado, agencia de servicios o el proveedor de gas.

PERMITANOS AYUDARLO ...

Lea este manual cuidadosamente.

Con el encontrará ayuda para operar y mantener su cocina de gas apropiadamente.

Manténgalo a mano para poder encontrar respuesta a sus preguntas.

Si no entiende algo o necesitara más asistencia, por favor llame a:

**Avanti – Servicio al Cliente
800-220-5570**

Mantenga prueba de la compra, tal como el recibo de la tienda, junto a este manual para establecer el período de garantía.

Escriba el modelo y el número de Serie.

Los encontrará en la placa en la parte inferior frontal de la Cocina De Gas.

Escriba esos números aquí:

Fecha de compra

Modelo

Numero de Serie

Use estos números en cualquier correspondencia o llamada al departamento de servicio concerniente a su cocina de gas.

Si recibe una cocina de gas dañada, contacte al constructor o distribuidor que le vendió la cocina inmediatamente.

Ahorre tiempo y dinero. Antes de llamar al departamento de servicio, lea la Guía para Resolver Problemas. La lista incluye problemas de operación menores que puede corregir ud. mismo.

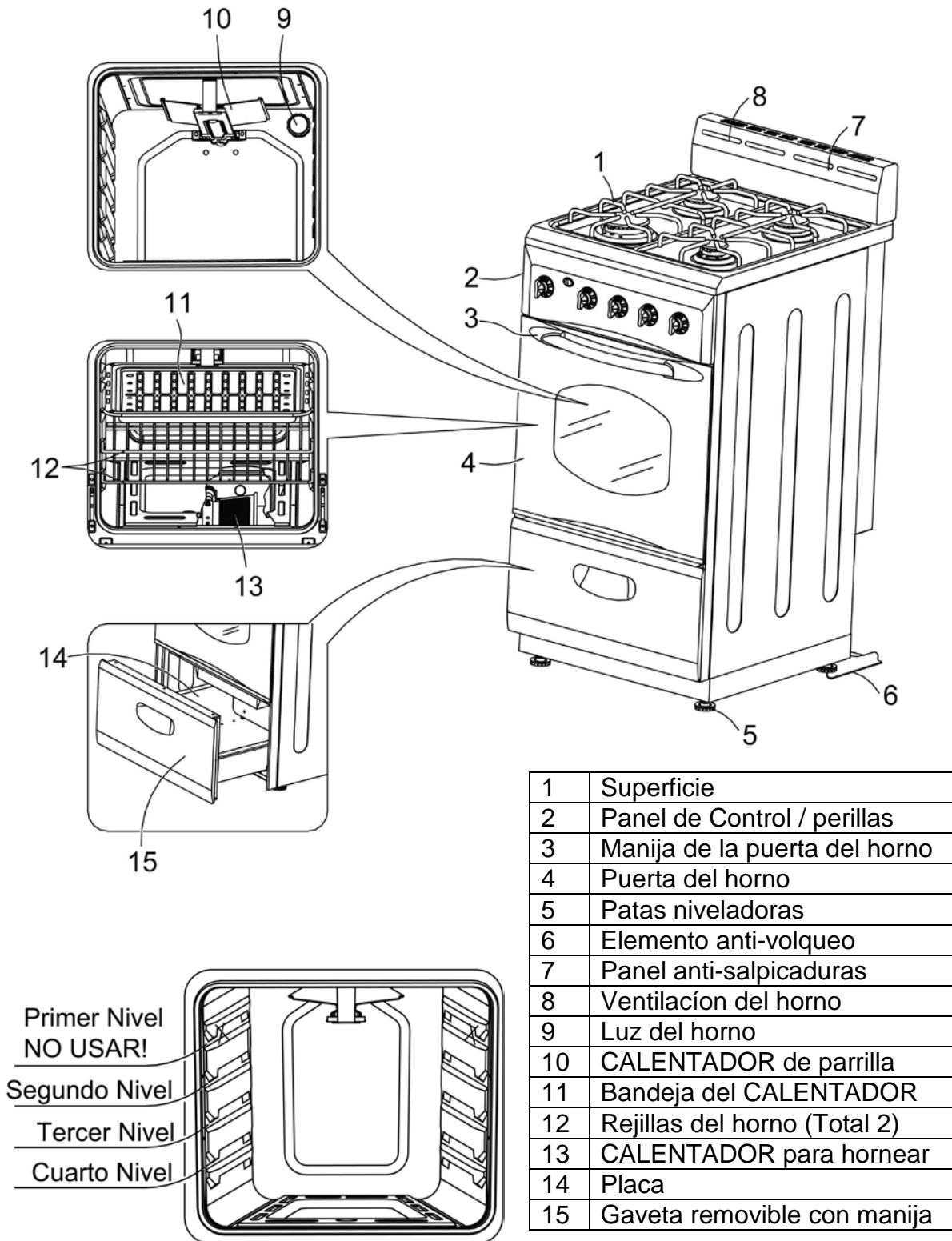
SI NECESITA SERVICIO

Estamos orgullosos de nuestro servicio y deseamos que ud. quede complacido. Si por algún motivo ud. no está contento con el servicio que recibe, aquí le damos unos pasos para mayor asistencia. PRIMERO, póngase en contacto con la compañía que dio mantenimiento a su cocina. Explique porque no está contento. En la mayoría de los casos, esto resolverá el problema.

LUEGO, si aun no está satisfecho, escriba todos los detalles incluyendo su número de teléfono y envíelo a:

**Customer Service
Avanti Products
10880 NW 30 Street
Miami, FL 33172**

PIEZAS Y CARACTERISTICAS



→ COCINA

1. Hornilla auxiliar (AUX) - 3000 BTU/hra
2. Hornilla derecha semi-rápida (SR) - 4600 BTU/hra
3. Hornilla izquierda semi-rápida (SR) - 4600 BTU/hra
4. Hornilla Rápida (R) - 8600 BTU/hra

Nota:

-El elemento para encender el gas está incorporado a las perillas.

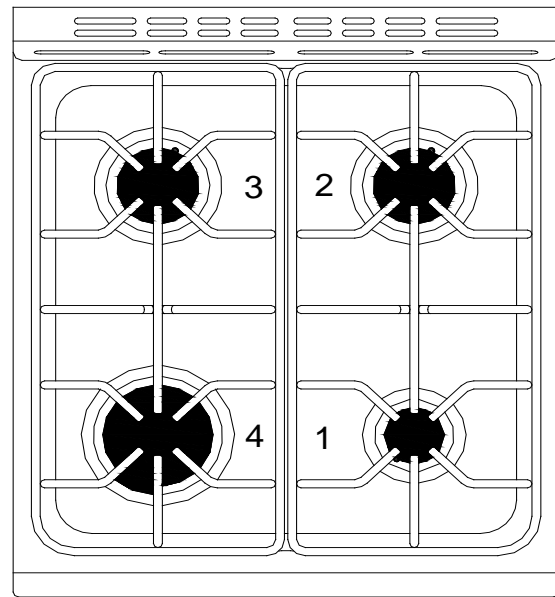
PRECAUCION:

Si la hornilla se apaga por accidente, gire la perilla apagando el gas. Espere por lo menos un minuto antes de tratar de encenderla otra vez.

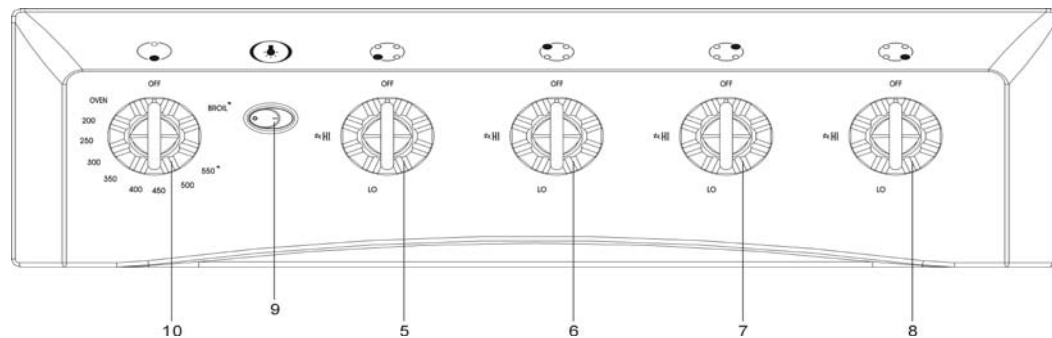
PRECAUCION:

Los electrodomésticos de gas, producen calor y humedad en el ambiente en el cual son instalados.

Asegúrese que el área donde se cocina esté bien ventilada y siga los códigos de seguridad nacionales y locales.



→ PANEL DE CONTROLES



→ DESCRIPCION DE LOS CONTROLES

PERILLAS PARA HORNILLAS		HORNO	
5	Hornilla delantera izquierda	9	Interruptor para luz del horno
6	Hornilla posterior izquierda	10	Control de temperatura del horno
7	Hornilla posterior derecha		
8	Hornilla delantera derecha		

ANTES DE USAR SU COCINA A GAS



ADVERTENCIA!!

ASEGURESE QUE ESTA COCINA SEA INSTALADA POR UN TECNICO CALIFICADO. Instalación, ajustes, alteraciones, servicio o mantenimiento inapropiados pueden causar daños personales o a la propiedad. Consulte con un instalador calificado, agencia de servicios o proveedor de gas.

– Antes de usar su Cocina a gas

- } Retire el empaque exterior e interior.
- } Retire la película protectora que cubre la superficie de acero y de aluminio.
- } Verifique que tenga las siguientes piezas:
 - λ Panel posterior anti-salpicaduras
 - λ Paquete de conversión de Gas LP
 - λ Elemento Anti-volqueo
 - λ 4 patas niveladoras
 - λ 2 rejillas para las hornillas
 - λ 2 rejillas para el horno
 - λ 4 tapas y bases para las hornillas
 - λ 5 perillas
 - λ Bandeja para parrilla del horno
 - λ Regulador
- } Limpie la superficie interior con agua tibia usando un trapito suave.
- } Haga que el técnico instalador le enseñe donde está la válvula general para apagar la cocina y como apagarla en caso necesario.
- } Asegúrese que su cocina sea instalada y conectada a tierra correctamente por un técnico instalador calificado que siga las instrucciones de instalación.
- } No intente reparar o reemplazar ninguna pieza de su cocina a no ser que sea específicamente recomendado en este manual.
- } Asegúrese que su cocina esté correctamente ajustada por un técnico instalador calificado, de acuerdo al tipo de gas (natural o LP) que se use.
- } No retire las etiquetas permanentes, advertencias o placas de la cocina. Esto puede eliminar la garantía.
- } El técnico instalador debe dejarle estas instrucciones a ud, por favor reténgalas para uso futuro y para uso del inspector local.
- } Por favor siga todos los códigos de seguridad y ordenanzas nacionales y locales.

→ **Importante:**

Este electrodoméstico está diseñado y fabricado solamente para cocinar comida doméstica (en el hogar) y no es apropiado para uso no domestico, por lo tanto NO se debe usar en un ambiente comercial.

La garantía del electrodoméstico se anula si el electrodoméstico se usa dentro de un ambiente no domestico, por ej. un ambiente semi comercial, comercial o comunal.

Lea estas instrucciones cuidadosamente antes de instalar y usar su electrodoméstico.

PRECAUCIÓN: este electrodoméstico solo debe ser instalado en una habitación ventilada permanentemente, de acuerdo a las reglas aplicables.

Se aconseja seguir las siguientes instrucciones:

- } Limpie el interior del horno con un trapito limpio, humedecido con agua y detergente neutral, luego seque cuidadosamente.
- } Coloque las rejillas y bandeja del horno en su lugar.
- } Encienda el horno a la temperatura máxima para eliminar cualquier resto de grasa del CALENTADOR del horno. Haga lo mismo con el CALENTADOR de parrilla.

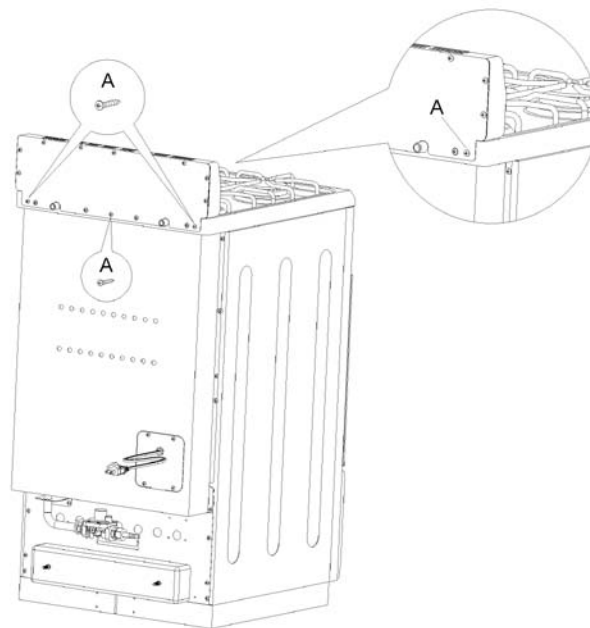
→ **Colocando el Panel**

Anti-salpicaduras:

Es OBLIGATORIO instalar el panel ya que también sirve para ventilar el horno.

Ensámblelo tal como se muestra.

- d) Atornille (2) tornillos "A" en el orificio apropiado en cada lado del panel.
- e) Atornille el tornillo central en la parte del medio del panel.



PRECAUCIONES & RECOMENDACIONES

– PRECAUCIONES Y RECOMENDACIONES IMPORTANTES

Después de desempacar su electrodoméstico, verifique que no esté dañado y que la puerta del horno cierra correctamente. En caso de duda, no use la cocina hasta que consulte con su proveedor o técnico calificado profesional.

Los elementos del empaque (por ej. Bolsas plásticas, espuma de polietileno, clavos, cintas plásticas, etc.) no se deben dejar al alcance de los niños ya que estos pueden causar graves daños.

El material de empaque es reciclable y está marcado con el símbolo de reciclaje. .

- } No intente modificar las características técnicas del electrodoméstico ya que esto puede causar peligro a los usuarios.
- } No lleve a cabo operaciones de limpieza o mantenimiento del electrodoméstico sin antes haberlo desconectado de la electricidad.
- } Si decide que no desea usar más este electrodoméstico (o decide substituir un modelo antiguo), antes de deshacerse de él, se recomienda que lo haga de forma que no se pueda utilizar y de acuerdo con las reglas de protección de la salud y del ambiente, asegurándose en particular que todas las piezas riesgosas se hagan inofensivas, especialmente en relación a los niños que pueden jugar con electrodomésticos abandonados.
- } Retire la puerta antes de deshacerse de la cocina para prevenir que niños queden atrapados.
- } Después de cada uso asegúrese que las perillas están en la posición **OFF (apagado)**.
- } No permita que los niños u otras personas no calificadas usen el electrodoméstico sin su supervisión.
- } Durante y después de usar la cocina, algunas partes quedan muy calientes. No las toque.
- } Mantenga a los niños lejos de la cocina cuando la esté usando.
- } **Riesgo de fuego!** No almacene material inflamable dentro del horno o en el cajón inferior.
- } Asegúrese que los cables eléctricos de otros electrodomésticos cercanos a la cocina no estén en contacto con la cocina, la placa o que se puedan enredar con la puerta del horno o quedar atrapados dentro del horno.
- } No forre las paredes del horno con papel de aluminio. No coloque estantes, sartenes, bandejas u otros utensilios de cocina en la base del horno.
- } El fabricante declina cualquier responsabilidad de daño a personas o propiedad causado por el uso inapropiado o incorrecto del electrodoméstico.
- } Para evitar cualquier posible riesgo, el electrodoméstico solamente debe ser instalado por un técnico calificado. Cualquier reparación hecha por personas no calificadas puede resultar en choque eléctrico o corto circuito. Para evitar cualquier daño posible a su persona o al electrodoméstico, no intente efectuar reparaciones ud mismo. Ese trabajo debe ser llevado a cabo solamente por personal calificado.
- } **Peligro de quemaduras!** El horno y los accesorios de cocina se calientan mucho durante la

operación. Asegúrese que los niños no estén al alcance y adviértales al respecto. Para evitar quemaduras utilice paños de cocina o guantes cuando deba manipular partes o utensilios calientes.

- } Aléjese de la cocina cuando abra la puerta del horno. El aire caliente o vapor que escapa puede causar quemaduras en las manos, cara u ojos.
- } Nunca limpie el horno con un limpiador de vapor de alta presión ya que puede provocar un corto circuito.
- } Este electrodoméstico es para uso en su hogar, Nunca use el electrodoméstico para otro propósito!

→ PRECAUCIONES Y RECOMENDACIONES IMPORTANTES PARA EL USO DE ELECTRODOMESTICOS

El uso de cualquier electrodoméstico implica la necesidad de seguir una serie de reglas fundamentales.

En particular:

- ✓ Nunca toque el electrodoméstico con las manos o pies mojados;
- ✓ No opere el electrodoméstico descalzo;
- ✓ No permita que los niños o personas incapacitadas usen el electrodoméstico sin su supervisión.

El fabricante declina cualquier responsabilidad de daño a personas o propiedad causado por el uso inapropiado o incorrecto del electrodoméstico.

→ INFORMACION GENERAL



ADVERTENCIA!!

1. Este electrodoméstico no se debe usar para calentar la habitación. Esta información está basada en consideración a la seguridad.
2. La pared detrás de este electrodoméstico y el piso bajo este electrodoméstico deben estar sellados y no tener aperturas.
3. Mantenga el área del electrodoméstico limpia y libre de materiales combustibles, gasolina, y otros vapores inflamables.
4. No obstruya el flujo de combustión y ventilación del aire.
5. Desconecte la fuente de electricidad del electrodoméstico antes de darle servicio de mantenimiento.
6. Cuando remueva el electrodoméstico para limpieza y/o servicio;
 - A. Apague el suministro del gas.
 - B. Desconecte la fuente de electricidad AC.
 - C. Desconecte la línea de gas de la tubería de entrada.
 - D. Cuidadosamente retire la cocina halando hacia afuera.

PRECAUCIÓN: La cocina es pesada; use cuidado en su manejo.

7. El uso inapropiado de la puerta del horno (por ej. Pararse, sentarse o apoyarse en ella)

puede resultar en riesgos potenciales y/o daños.

8. Cuando instale o retire la cocina para darle mantenimiento, use un carrito deslizante. No empuje ninguno de los bordes de la cocina tratando de sacarla o regresarla a su sitio. Empujar o halar la cocina, en lugar de usar un carrito deslizante, también aumenta la posibilidad de doblar las patas o los conectores.



ADVERTENCIA!!

- **INSTRUCCIONES DE CONEXION ELECTRICA A TIERRA**
- **PARA SEGURIDAD PERSONAL, ESTE ELECTRODOMESTICO DEBE SER CONECTADO A TIERRA CORRECTAMENTE.**

Para su protección contra riesgo de choque eléctrico, este electrodoméstico está equipado con un enchufe de tres puntas para conexión a tierra y debe ser conectado directamente a un enchufe a tierra. No corte o remueva la tercera punta (a tierra) del enchufe.

De ninguna manera corte o remueva la tercera punta (a tierra) del enchufe. La instalación eléctrica debe cumplir con los códigos locales y nacionales.

PIEZAS DE REEMPLAZO

Solo debe utilizar piezas de reemplazo autorizadas por Avanti para darle mantenimiento a la cocina. Piezas de repuesto están disponibles en los Distribuidores de Fabrica autorizados. Contáctese con el Centro de Servicio de Avanti más cercano a ud.



ADVERTENCIA MONOXIDO DE CARBONO:

El Monóxido de Carbono es un peligro posible cuando use cualquier electrodoméstico a gas.

Todos los electrodomésticos a gas DEBEN ser instalados por un instalador profesional licenciado que este familiarizado con los niveles apropiados de Monóxido de Carbón para cada electrodoméstico.

La Asociación Americana de Gas publica las emisiones de CO para electrodomésticos y equipos de calefacción a través del ANSI Std. Z21.1

La Agencia de Protección Ambiental EPA reporta que un nivel máximo de CO de 9 PPM en un periodo de 24 horas es el nivel estándar para el interior de una residencia.

(Un hogar ventilado apropiadamente tendrá un nivel de CO de menos de 5 PPM.)

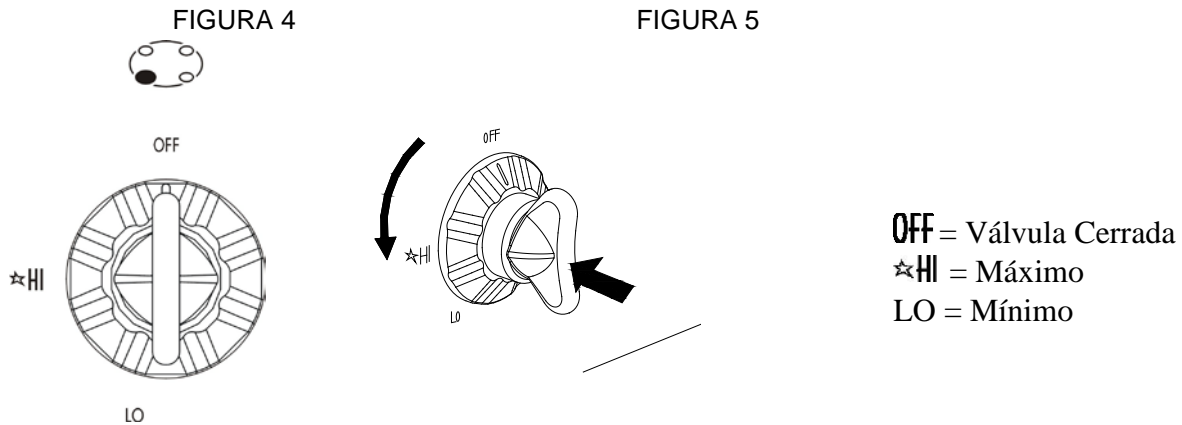
ELECTRODOMESTICOS SIN VENTILACION PARA COCINAR A GAS

Para uso residencial por un periodo de tiempo corto. El CO generado durante la operación se dispersara en el aire de la residencia y empujado al exterior a través del flujo de aire normal.

COMO USAR LAS HORNILLAS

→ HORNILLAS A GAS

El flujo de gas a las hornillas se ajusta al girar las perillas que controlan las válvulas. Girando la perilla para que la línea indicadora apunte a los símbolos marcados en el panel logra las siguientes funciones:



La posición de apertura máxima permite que los líquidos hiervan rápido, mientras que la posición mínima permite cocer a fuego lento.

Para reducir el flujo de gas al mínimo, gire la perilla en sentido contra horario para señalar la posición LO.

Otros ajustes intermedios de operación se pueden lograr al posicionar el indicador entre las posiciones de apertura mínima y máxima, pero nunca entre las posición de apertura máxima y OFF.

Cuando la cocina no esté siendo usada, ajuste las perillas a la posición OFF y también cierre la válvula general del cierre de gas localizada en la línea de entrada de gas principal.

ENCENDIENDO LAS HORNILLAS DE GAS

Para encender las hornillas ud. debe:

1 – Girar la perilla en sentido anti-horario hasta la posición ☆HI (máxima), presione la perilla al mismo tiempo y manténgala presionada hasta que la llama salga. Las chispas producidas por el encendedor situado en la hornilla relativa encenderán la llama.

En caso que las condiciones del suministro de gas dificulte encender la hornilla en la posición de ☆HI, pruebe en la posición LO.

2 – Ajuste la perilla de control a la posición deseada.

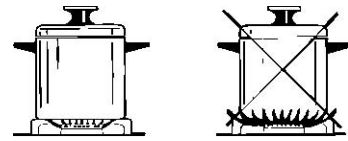
Para re-encender la hornilla, retorne la perilla a la posición OFF y repita la operación de encendido.

Precaución! La cocina se calienta mucho durante la operación. Mantenga a los niños fuera del alcance.

– ELIJIENDO HORNILLA (Fig.6)

DIAMETRO DE OLLAS QUE SE PUEDEN USAR EN LAS HORNILLAS		
HORNILLA	MINIMO	MAXIMO
Auxiliar	4" 23/32 (12 cm)	5" 1/2 (14 cm)
Semirápido	6" 19/64 (16 cm)	9" 7/16 (24 cm)
Rápido	9" 7/16 (24 cm)	10" 15/64 (26 cm)
No use ollas con bases cóncava o convexa		

Figura 6

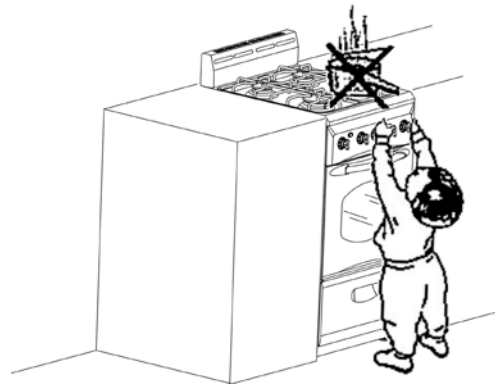


Los símbolos marcados en el panel arriba de las presillas indica la correspondencia entre la perilla y la hornilla

La hornilla más apropiada se debe elegir de acuerdo al diámetro y capacidad volumétrica del recipiente que se va a usar.

Es muy importante que el diámetro de las ollas o sartenes coincida con el de la hornilla para asegurar el funcionamiento eficiente sin tener que desperdiciar gas. Una olla o cacerola pequeña colocada en una hornilla grande no necesariamente quiere decir que los líquidos hervirán más rápido.

Asegúrese que las agarraderas de las ollas o cacerolas no sobrepasen el borde de la cocina, para evitar que se volteen por accidente. Esto también hace más difícil que los niños alcancen las ollas o cacerolas.



Efecto de Altitud en las hornillas:

Las hornillas de la cocina van desde 3,000 BTU a 8,600 BTU en una instalación de gas natural bajo 2,000 pies sobre el nivel del mar. La fuerza de la hornilla baja un 4% por cada 1000 pies adicionales de altitud.

COMO USAR EL HORNO DE GAS

– CARACTERISTICAS GENERALES

El horno viene con dos Calentadores:

- a) Calentador del horno, instalado en la parte baja del horno
G2002CW/G2003CSS: 8800 BTU/hra
G2404CW/G2003CSS: 9500 BTU/hra
- b) Calentador de parrilla, instalado en la parte alta del horno:
G2002CW/G2003CSS: 7200 BTU/hra

G2404CW/G2003CSS: 8000 BTU/hra

→ **USANDO EL HORNO POR PRIMERA VEZ**

Se recomienda seguir estas instrucciones:

- Inserte las rejillas y la bandeja
- Encienda el horno a la temperatura máxima (posición 550) para eliminar posibles rastros de grasa en los Calentadores. Siga la misma operación para el CALENTADOR del horno y para el de la parrilla (perilla en posición BROIL)
- Desconecte la electricidad, deje que el horno enfríe y limpie el interior del horno con un trapito mojado con agua y detergente (neutral), luego seque cuidadosamente.

→ **CALENTADOR DEL HORNO**

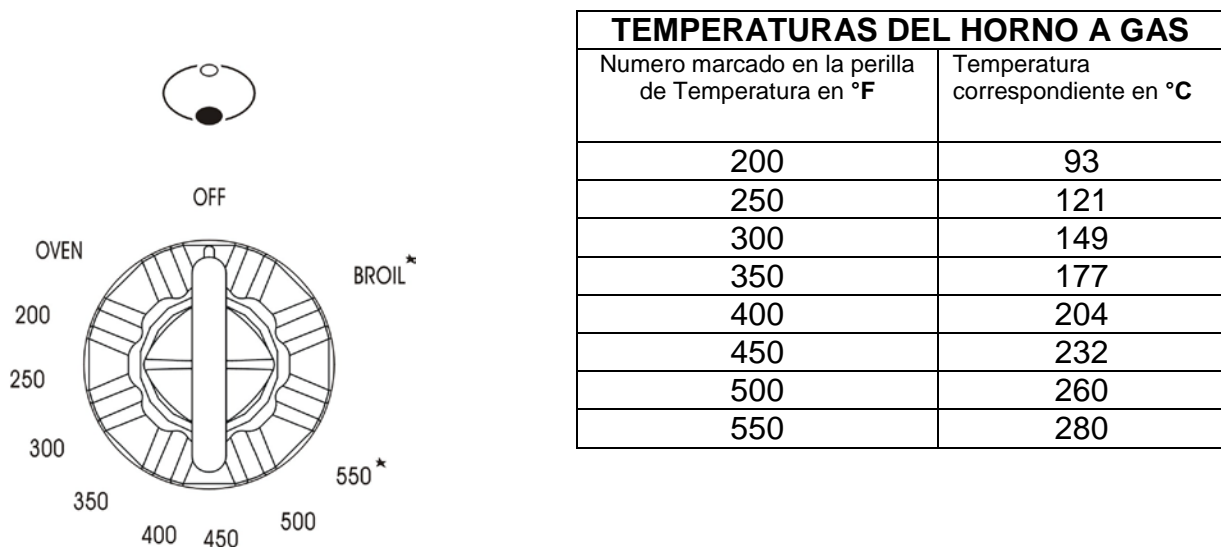
Permite cocción normal del horno.

El flujo de gas al CALENTADOR se regula con un termostato que permite que la temperatura del horno se mantenga constante.

El control de la temperatura se asegura con un termostato localizado en el interior del horno.

El termostato se debe mantener dentro de su cubierta y limpio ya que, estando en la posición incorrecta o acumulando suciedad, podrían alterar el control de temperatura.

FIGURA 8



→ **TERMOSTATO DEL HORNO**

Los números impresos en el panel de control (fig. 8) indican la temperatura creciente del horno en grados (°F). Para regular la temperatura, gire la perilla hasta que el indicador apunte al grado de temperatura elegido.

La posición BROIL sirve solamente para encender el Calentador de la parrilla.

N.B. Cuando la cocina no se utilice, las perillas del panel de control deben estar en la posición **OFF** y también debe cerrar la válvula de gas que se encuentra en la línea de entrada principal de gas.

MUY IMPORTANTE El horno/parrilla siempre se debe usar con la puerta cerrada.

→ ENCENDIDO DEL CALENTADOR DEL HORNO

El termostato permite el control automático de la temperatura.

El suministro de gas al calentador del horno se controla con una llave termostática de dos lados (calentador del horno y de la parrilla) con un elemento de llama-falla.

Para encender el calentador del horno siga estos pasos:

1) Abra la puerta del horno completamente.

ADVERTENCIA: Riesgo de explosión! La puerta del horno deber estar abierta durante esta operación.

2) Presione ligeramente y gire la perilla del termostato en sentido anti-horario (fig. 9) hasta la posición máxima ó 550°F

FIGURA 9

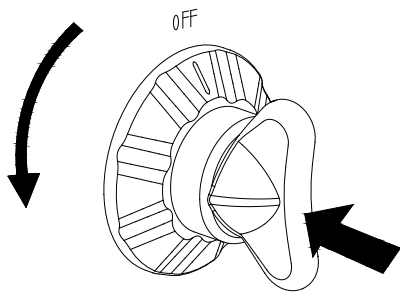
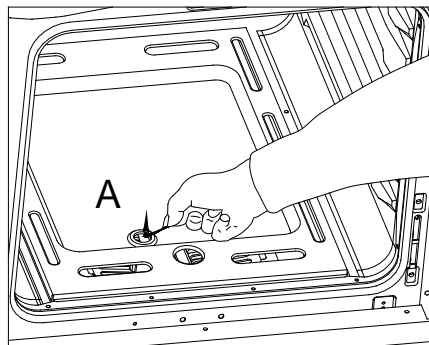


FIGURA 10



3) Presione la perilla girándola hacia la derecha y abajo para iniciar el encendido eléctrico, escuchará un sonido "Bi, Bi", mantenga la perilla presionada hasta que el calentador del horno se encienda.

En caso que se apague, presione la perilla e inmediatamente acerque un fósforo encendido a la apertura "A" (fig. 10).

Nunca continúe esta operación por más de 15 segundos. Si el calentador aún no ha encendido, espere 1 minuto antes de repetir el encendido.

4) Cuando use el horno por primera vez o después de un largo periodo sin uso, espere 10/15 segundos después que encienda el calentador y antes de soltar la perilla (tiempo de inicio de la válvula).

5) Cierre la puerta del horno lentamente y ajuste el calentador de acuerdo con la potencia requerida. Si la llama se extingue por cualquier razón, la válvula de seguridad automáticamente apagará el suministro de gas al quemador.

Para re-encender el quemador, primero gire la perilla del horno a la posición **OFF**, espere por lo menos 1 minuto y luego repita la operación de encendido.

Atención: la puerta del horno se calienta mucho durante la operación. Mantenga a los niños fuera de alcance.

– COCINANDO EN EL HORNO

Antes de introducir los alimentos, precaliente el horno a la temperatura deseada.

Para una operación de precalentamiento, se recomienda retirar la bandeja del horno e introducirla al mismo tiempo con los alimentos cuando el horno haya llegado a la temperatura deseada.

Verifique el tiempo de cocción y apague el horno 5 minutos antes que se termine el tiempo de cocción para recuperar el calor generado.

– ENCENDIDO DEL CALENTADOR DE LA PARRILLA

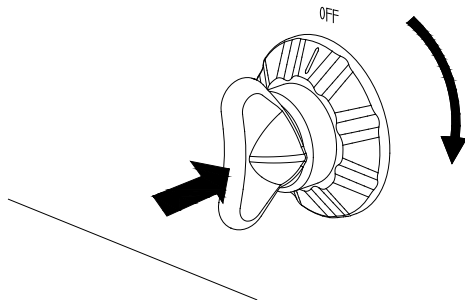
El calentador de la parrilla genera rayos infra-rojos para cocinar. Para encender el calentador de la parrilla siga estos pasos:

1) Abra la puerta del horno completamente.

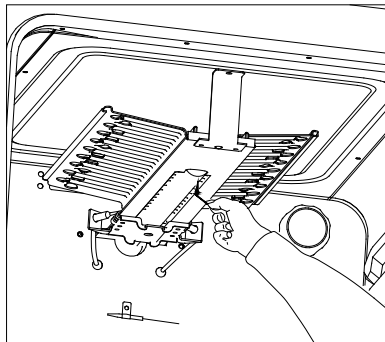
ADVERTENCIA: Riesgo de explosión! La puerta del horno debe estar abierta durante esta operación

2) Presione ligeramente y gire la perilla del termostato en sentido horario. (fig. 11).

(FIGURA 11)



(FIGURA 12)



3) Presione la perilla girándola hacia la derecha y abajo para iniciar el encendido eléctrico, escuchará el sonido “Bi, Bi”, continúe presionando la perilla hasta que el calentador de la parrilla esté encendido.

En caso que se apague, presione la perilla e inmediatamente acerque un fósforo encendido a la apertura “A” (fig. 12).

Nunca continúe esta operación por más de 15 segundos. Si el calentador aún no ha encendido, espere 1 minuto antes de repetir el encendido.

4) Cuando use el horno por primera vez o después de un largo periodo sin uso, espere 10/15 segundos después que encienda el calentador y antes de soltar la perilla (tiempo de inicio de la válvula).

5) Cierre la puerta del horno lentamente y ajuste el calentador de acuerdo con la potencia requerida. Si la llama se extingue por cualquier razón, la válvula de seguridad automáticamente apagará el suministro de gas al quemador.

Para re-encender el quemador, primero gire la perilla del horno a la posición **OFF**, espere por lo menos 1 minuto y luego repita la operación de encendido.

Atención: Siempre use la parrilla con la puerta del horno cerrada. La puerta del horno se calienta mucho durante la operación. Mantenga a los niños fuera de alcance.

→ LUZ DEL HORNO

La cocina está equipada con una luz que ilumina el horno la cual permite control visual para los alimentos que está cocinando. Esta luz se controla con un botón de presión en el panel de control (Fig. 13).

FIGURA 13

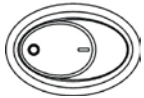
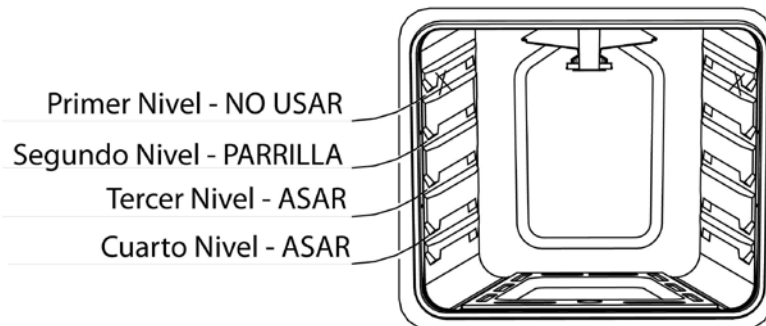


FIGURA 14



→ USANDO LA PARRILLA (BROILING)

Muy importante: el calentador de la parrilla se debe usar siempre con la puerta del horno cerrada.

Posicione la rejilla en el segundo nivel de arriba hacia abajo (fig. 14).

-Encienda el calentador de la parrilla, tal como explicado en los párrafos anteriores y precaliente por 5 minutos con la puerta del horno cerrada.

-Coloque los alimentos a ser cocinados en la bandeja de cocción.

-Introduzca la bandeja en el horno (fig. 15). La bandeja debe ser colocada sobre la rejilla y debe estar centrada en línea con el calentador de la parrilla (fig.14)

FIGURA 15

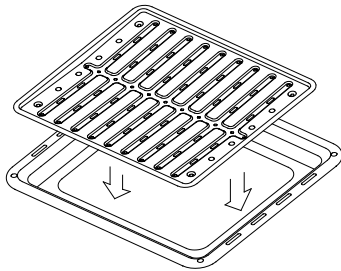


Figura 16

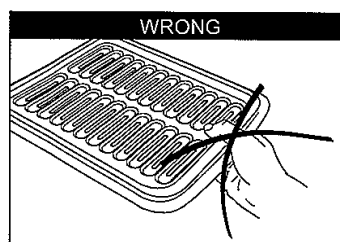
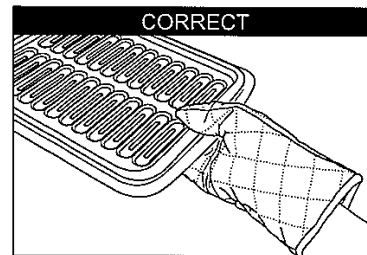


Figura 17





ADVERTENCIA!!

ADVERTENCIA-NOTA MUY IMPORTANTE

Nunca obstruya las aperturas de ventilación del panel anti-salpicaduras.

No use la parrilla sin la bandeja de cocción.

Importante: Siempre use guantes protectores apropiados cuando inserte o remueva la bandeja de parrilla, rejillas, ollas, cacerolas u otros utensilios de cocina en el horno.

Atención: la cocina se calienta mucho durante la operación.

Atención: la puerta del horno se calienta mucho durante la operación.

Mantenga los niños fuera de alcance.

ADVERTENCIA: La puerta está caliente, use la manija.

CUIDADO Y MANTENIMIENTO

→ RECOMENDACIONES GENERALES

Figura 18

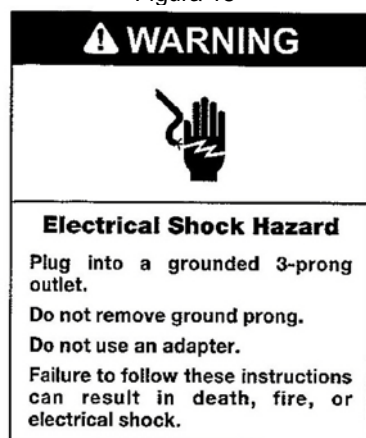
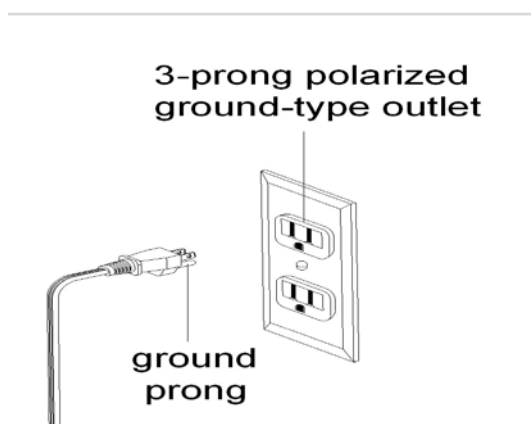


Figura 19



Receptáculo polarizado de 3 puntas conectado a tierra.

ADVERTENCIA:

Riesgo de choque eléctrico

Enchufe a un receptáculo de 3 puntas conectado a tierra.

No remueva la tercera punta del enchufe.

No use un adaptador.

Fuego, choque eléctrico o muerte pueden resultar de no seguir estas instrucciones.

Importante: Antes de cualquier operación de limpieza y mantenimiento desconecte el electrodoméstico de la corriente eléctrica.

Se recomienda limpiar cuando el electrodoméstico esté frío, especialmente cuando limpie las partes esmaltadas.

Evite dejar sustancias alcalinas o ácidas (jugo de limón, vinagre, etc.) en las superficies.

Evite usar productos de limpieza con base de cloro o ácida.

El horno siempre debe ser limpiado después de cada uso, usando productos apropiados y teniendo en cuenta que operar la cocina por 30 minutos a la temperatura máxima elimina la mugre reduciéndola a cenizas.

→ PARTES ESMALTADAS

Todas las partes esmaltadas deben ser limpiadas con una esponja y agua jabonosa solamente o con otros productos no abrasivos.

De preferencia, seque con cuero de ante.

Si sustancias ácidas tales como jugo de limón, tomate en conserva, vinagre, etc se dejan en la superficie esmaltada por un período largo, esta se quemará tornándose opaca.

→ ELEMENTOS DE ACERO INOXIDABLE

Las partes de acero inoxidable deben ser enjuagadas con agua y secadas con un trapo limpio o con cuero de ante.

Para suciedad persistente, use un producto comercial específico no abrasivo o vinagre caliente.

Nota: Uso regular puede causar descoloración alrededor de las hornillas debido a la alta temperatura de la llama.

→ DENTRO DEL HORNO

Esto se debe limpiar regularmente, Con el horno tibio, limpie las paredes internas con un trapito mojado en agua jabonosa muy caliente u otro producto similar.

→ VALVULAS DE GAS

En el caso que haya fallas en las válvulas de gas, llame al Departamento de Servicio.

NOTA: El bombillo del horno no está cubierto por la garantía.



No use limpiadores de vapor de alta presión porque la humedad se puede infiltrar dentro del electrodoméstico volviéndolo peligroso.

ADVERTENCIA MUY IMPORTANTE:

Antes de cualquier operación de mantenimiento, desenchufe el electrodoméstico de la fuente de poder/energía o electricidad.

→ HORNILLAS Y REJILLAS

- } Estas partes se pueden remover y limpiar con los productos apropiados.
- } Después de limpiarlas, seque bien las hornillas y las tapitas distribuidoras de la llama y colóquelas nuevamente en su sitio
- } Es muy importante verificar que la tapita distribuidora de llama sea colocada correctamente – de lo contrario podría causar serios problemas.
- } En electrodomésticos con encendido eléctrico, mantenga el electrodo limpio para que las chispas siempre salgan.
- } **Nota: Para evitar daño al sistema de encendido eléctrico, no lo use cuando las hornillas no estén en su lugar.**

REEMPLAZO CORRECTO DE LAS HORNILLAS

Es muy importante verificar que la hornilla propagadora de la llama “F” y la tapita “C” sean posicionadas correctamente (ver figs. 20 y 21). De no hacerlo así, podría ocasionar serios problemas.

Figura 20

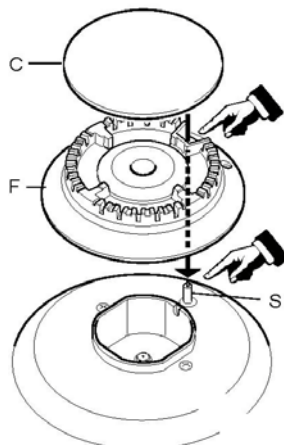
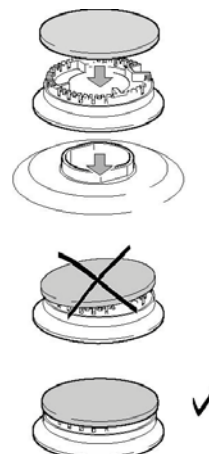


Figura 21



En electrodomésticos con encendido eléctrico, verifique que el electrodo "S" (fig. 20) est siempre limpio para asegurar producción de chispas sin problemas.

El enchufe de encendido debe ser limpiado cuidadosamente.

→ **INSTALACION Y RETIRO DE LA REJILLA DEL HORNO**

Las rejillas del horno vienen con un bloqueo de seguridad para evitar que se saquen del horno por accidente. Para reinsertarlas vea la figura 22.

Para sacarlas hálela hacia fuera y arriba.

Asegúrese de insertarlas correctamente (vea figura 22).

Figura 22



PUERTA DEL HORNO

La puerta de vidrio del horno se puede remover muy fácilmente para facilitar su limpieza, simplemente desenrosque los tornillos laterales (fig. 23).

Figura 23

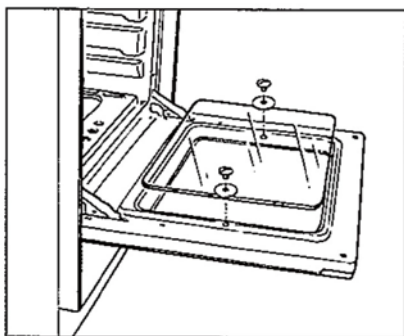
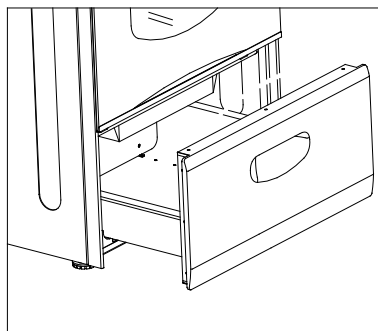


figura 24



→ **GAVETA DE ALMACENAJE REMOVIBLE**

La gaveta (fig. 24) se usa como cualquier otro gaveta. Para sacarla, hálela hacia afuera y arriba.

No almacene materiales inflamables en el horno o en la gaveta de almacenaje.

→ SACANDO LA PUERTA DEL HORNO

- Para facilitar la limpieza del horno se puede remover la puerta. Por favor siga estas instrucciones cuidadosamente:
- La puerta del horno se puede sacar muy fácilmente siguiendo estas instrucciones:
- Abra la puerta completamente (fig. 25).
- Coloque los aros de retención a los ganchos al lado izquierdo y derecho de las bisagras. Fig. 25a)
- Mantenga la puerta tal como indicado en la Fig. 25d.
- Suavemente cierre la puerta y saque los alfileres inferiores de las bisagras (Fig.25b)
- Saque los alfileres superiores de las bisagras (Fig. 25c).
- Coloque la puerta en una superficie suave.
- Para colocar la puerta, repita estos mismos pasos pero en orden reverso.

Figura 25

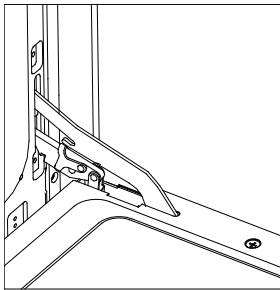


Figura 25a

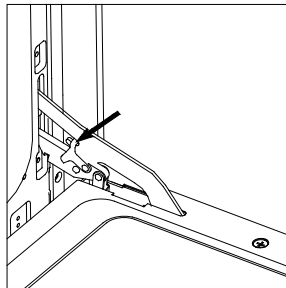


Figura 25b

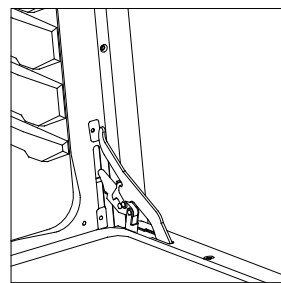


Figura 25c

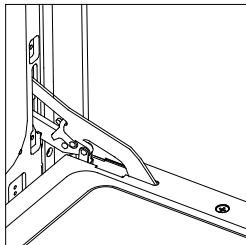
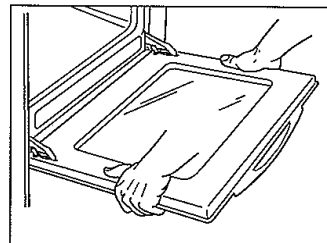


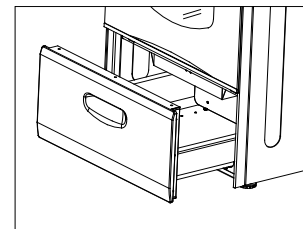
Figura 25d



→ GAVETA DE ALMACENAJE REMOVIBLE

Para propósitos de limpieza, Ud. puede remover la gaveta halándola hacia afuera hasta que salga mas y de ahí halándola hacia arriba.

Nunca almacene materiales inflamables en la gaveta.



→ REEMPLAZANDO LA LUZ DEL HORNO

Antes que se efectúe cualquier mantenimiento de partes eléctricas del electrodoméstico, asegúrese que esté desenchufado de la fuente de poder/energía o electricidad.

- Deje que el horno y los calentadores de parrilla y del horno se enfríen.
- Apague el suministro de electricidad.

- Retire la cubierta protectora.
- Desenrosque y reemplace el bombillo con uno nuevo que resista altas temperaturas (200°F ~ 550°C) y que tenga estas especificaciones: 120V 60Hz, 15W, E14.
- Reemplace la cubierta plástica.

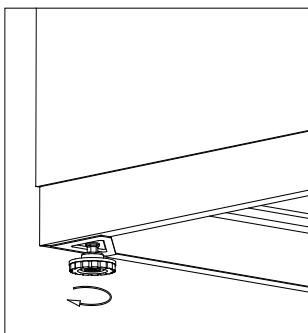
NOTA: El reemplazo del bombillo del horno no está cubierto bajo la garantía.

– NIVELANDO LA COCINA

La cocina debe estar nivelada para que funcione correctamente. Las cuatro patas niveladoras con tornillos ajustables que están en las esquinas inferiores de la cocina se deben ajustar girándolas en sentido horario para levantar la cocina o en sentido anti-horario para bajarla hasta que esté nivelada.

Use una herramienta que mide el nivel para verificar que la cocina esté nivelada. (Vea Fig.26).

Figure 26

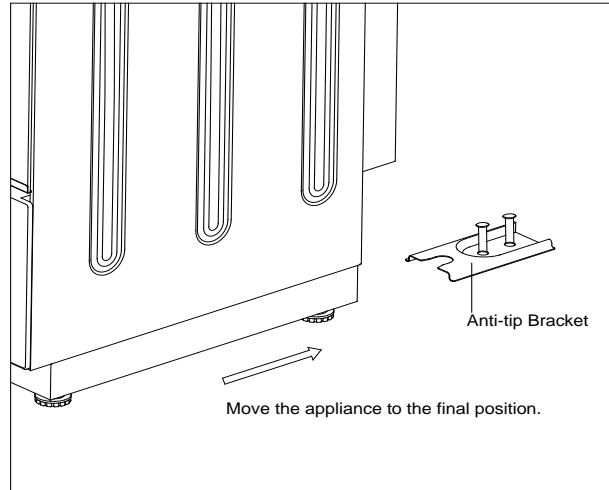
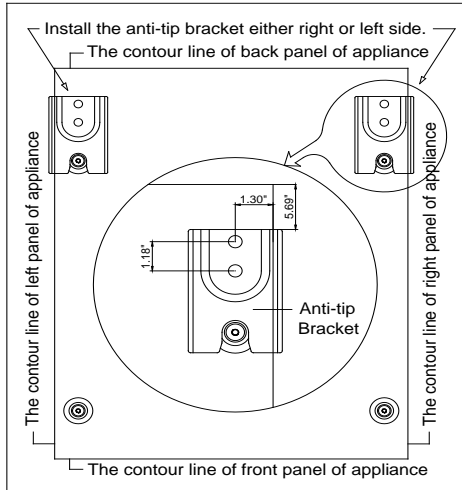


– INSTALACION DEL ELEMENTO ANTI-VOLQUEO

Para reducir el riesgo que la cocina se volquee debido a uso indebido de esta o de la puerta del horno, la cocina debe ser asegurada a su sitio instalando correctamente el elemento anti-volqueo empacado con el electrodoméstico.

- Coloque el elemento anti-volqueo en el piso tal como se muestra en la figura. El elemento anti-volqueo se puede instalar en el lado izquierdo o derecho.
- Marque en el piso el lugar donde van los dos orificios del elemento anti-volqueo.
- Utilice un taladro con una punta de 5/16" para albañilería e inserte el ancla de plástico.
- Asegure el elemento anti-volqueo al piso usando los tornillos incluidos en el paquete.
- Deslice el electrodoméstico para encajarlo con el elemento anti-volqueo.

NOTA: Si la cocina luego es movida de sitio, el elemento debe ser removido e instalado en el nuevo lugar designado para la cocina.



Instale el elemento anti-volqueo en el dado izquierdo o derecho cerca de la parte posterior del electrodoméstico
 Deslice la cocina hacia la posición final.

PROBLEMAS CON SU COCINA DE GAS?

Ud puede resolver muchos problemas de su electrodoméstico fácilmente, ahorrándole el costo de una llamada al Servicio Técnico. Pruebe las sugerencias a continuación para ver si ud puede resolver el problema antes de llamar al técnico.

GUIA PARA RESOLVER PROBLEMAS

PROBLEMA	CAUSA PROBABLE	COMO SOLUCIONARLO
Las hornillas no encienden.	La perilla de control de temperatura de la hornilla no está en la posición correcta ON.	Presione y gire la perilla a la posición ON hasta que el calentador encienda, luego gire la perilla hacia la intensidad de llama deseada.
	Los quemadores están tupidos o sucios.	Use un alambre delgado o aguja para destupir los hoyitos del quemador.
	Los quemadores y/o hornillas no están en la posición correcta.	Verifique que los quemadores y/o hornillas estén colocados correctamente y que encajen con los orificios del calentador.
	La cocina no está ajustada para el nivel de entrada de gas.	Vea la sección de conversión en el manual de instalación.
	Las luces piloto no se encienden debido a falta de energía / electricidad.	Encienda los pilotos manualmente.
	El cordón de electricidad esta desenchufado.	Asegúrese que el cordón de electricidad este enchufado a un receptáculo conectado a tierra.
La llama está muy baja.	Los quemadores están tupidos o sucios.	Use un alambre delgado o aguja para destupir los hoyitos del quemador.
	Quedo humedad cuando limpiaron la cocina.	Eche aire a la llama suavemente y deje que el calentador funcione hasta que la llama crezca. Otra opción es secar los quemadores completamente tal como se indica en la sección de Limpiando su Cocina.
	La cocina no está ajustada para el nivel de entrada de gas.	Vea la sección de conversión en el manual de instalación.
La llama es naranja.	Hay partículas de polvo en la línea de gas.	Deje que el calentador funcione por unos cuantos minutos hasta que la llama se vuelva azul.
	La cocina no está ajustada para el nivel de entrada de gas.	Vea la sección de conversión en el manual de instalación.
La luz del horno no funciona.	El bombillo se quemó o está desajustado	Ajuste o reemplace el bombillo del horno.
El horno o la parrilla no calientan.	La cocina no está ajustada para el nivel de entrada de gas.	Vea la sección de conversión en el manual de instalación.
	La perilla de control de temperatura no está en la posición correcta.	Asegúrese que el control de temperatura esté en la temperatura deseada.
	Las luz piloto no se enciende debido a falta de energía / electricidad.	Encienda los pilotos manualmente.
	Un fusible de la casa exploto o salto un interruptor.	Verifique / re programe el interruptor y/o reemplace el fusible. No incremente la

		capacidad del fusible. Si el problema es una sobrecarga del circuito, haga que un electricista calificado lo corrija.
	El cordón de electricidad está desenchufado.	Asegúrese que el cordón de electricidad este enchufado a un receptáculo conectado a tierra.
La temperatura del horno no es correcta.	El bombillo incandescente del horno está en posición incorrecta.	Verifique que el bombillo incandescente está derecho y sin tocar los lados o cubierto con liquido limpiador o comida.
	La perilla de control de temperatura no está en la posición correcta.	Asegúrese que el control de temperatura este en la temperatura deseada.
	Está usando papel de aluminio en el horno.	No utilice papel de aluminio en el horno, las paredes o para tapar orificios en el horno.
	La ventilación está bloqueada.	Mantenga la ventilación del panel anti-salpicadura libre de cualquier obstrucción.
	La cocina no está ajustada para el nivel de entrada de gas.	Vea la sección de conversión en el manual de instalación.
Cuando enciende el horno por primera vez sale humo o tiene un olor peculiar.	Esto es normal.	
Cocina no está nivelada.	Instalación deficiente.	Coloque la rejilla del horno en la posición central. Coloque una herramienta que mide el nivel. Ajuste las patas niveladoras.
	El piso no es uniforme o se hunde.	Asegúrese que el piso esté nivelado y que soporte el peso de la cocina. Contacte a un especialista para corregir la falta de tensión en el piso o cualquier inclinación o desnivel.
	Los gabinetes de la cocina no están alineados correctamente y hacen que la cocina luzca desnivelada.	Asegúrese que los gabinetes sean cuadrados y tengan suficiente espacio. Contacte a su proveedor de gabinetes de cocina para corregir el problema.
Sale demasiado humo del horno.	Los alimentos están muy cerca al calentador de la parrilla.	Reposicione la bandeja del horno para crear mayor espacio entre los alimentos y el calentador de la parrilla del horno.
	Los alimentos tienen mucha grasa.	Retire el exceso de grasa de la carne.

Registration Information

Thank you for purchasing this fine Avanti product. Please fill out this form and return it to the following address within 100 days from the date of purchase and receive these important benefits:

Avanti Products, A Division of The Mackle Co., Inc.

P.O.Box 520604 – Miami, Florida 33152

→ **Protect your product:**

We will keep the model number and date of purchase of your new Avanti product on file to help you refer to this information in the event of an insurance claim such as fire or theft.

→ **Promote better products:**

We value your input. Your responses will help us develop products designed to best meet your future needs.

------(detach here)-----

Avanti Registration Card

Name	Model #	Serial #
Address	Date Purchased	Store / Dealer Name
City State Zip	E-mail Address	
Area Code Phone Number	Occupation	
Did You Purchase An Additional Warranty	As your Primary Residence, Do You:	
≤ Extended	≤ Own	≤ Rent
≤ None		
Reason for Choosing This Avanti Product: Please indicate the most important factors That influenced your decision to purchase this product:	Your Age:	
≤ Price	≤ under 18 ≤ 18-25 ≤ 26-30	
≤ Product Features	≤ 31-35 ≤ 36-50 ≤ over 50	
≤ Avanti Reputation	<u>Marital Status:</u>	
≤ Product Quality	≤ Married ≤ Single	
≤ Salesperson Recommendation	<u>Is This Product Used In The:</u>	
≤ Other: _____	≤ Home ≤ Business	
≤ Friend / Relative Recommendation	<u>How Did You Learn About This Product:</u>	
≤ Warranty	≤ Advertising	
≤ Other: _____	≤ In-Store Demo	
Comments:	≤ Personal Demo	

Gas ranges - Ver 3.0 - 02292012

PRINTED IN CHINA

Free Manuals Download Website

<http://myh66.com>

<http://usermanuals.us>

<http://www.somanuals.com>

<http://www.4manuals.cc>

<http://www.manual-lib.com>

<http://www.404manual.com>

<http://www.luxmanual.com>

<http://aubethermostatmanual.com>

Golf course search by state

<http://golfingnear.com>

Email search by domain

<http://emailbydomain.com>

Auto manuals search

<http://auto.somanuals.com>

TV manuals search

<http://tv.somanuals.com>