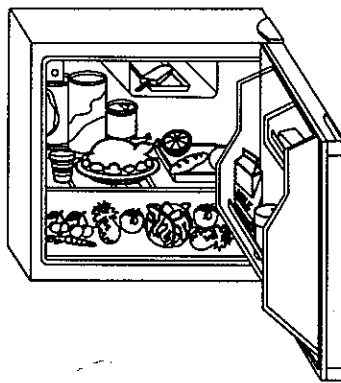


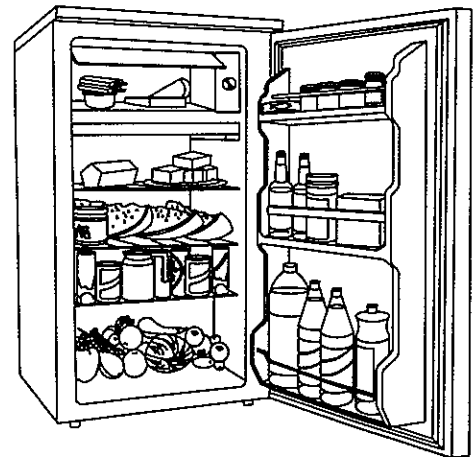
Avanti®

REFRIGERATOR INSTRUCTION MANUAL

Model Numbers: 18EYC/EYW
498YC/YW/YB/YSS



18EYC/EYW



498YC/YW/YB/YSS

CAUTION:

BEFORE USE, PLEASE READ AND FOLLOW ALL SAFETY RULES AND OPERATING INSTRUCTIONS.

Avanti Products, A Division of The Mackle Co., Inc.

P.O. Box 520604-Miami, Florida 33152

www.avantiproducs.com

Warranty Information

Thank you for purchasing this fine Avanti product. Please fill out this card and return it within 100 days of purchase and receive these important benefits:

- **Confirm your warranty:**
Your prompt product registration confirms your right to the protection available under the terms and conditions of your Avanti warranty.
- **Protect your product:**
We will keep the model number and date of purchase of your new Avanti product on file to help you refer to this information in the event of an insurance claim such as fire or theft.
- **Promote better products:**
We value your input. Your response will help us develop products designed to best meet your future needs.

----- (detach here) -----

Avanti Registration Card

<u>Name</u>	<u>Model #</u> <u>Serial #</u>
<u>Address</u>	<u>Date Purchased</u> <u>Store/Dealer Name</u>
<u>City</u> <u>State</u> <u>Zip</u>	<u>Occupation</u>
<u>Area Code</u> <u>Phone Number</u>	As Your Primary Residence, Do You:
Did You Purchase An Additional	<input type="checkbox"/> Own <input type="checkbox"/> Rent
Warranty:	Your Age:
<input type="checkbox"/> Extended <input type="checkbox"/> Food Loss <input type="checkbox"/> None	<input type="checkbox"/> under 18 <input type="checkbox"/> 18-25 <input type="checkbox"/> 26-30
Reason For Choosing This Avanti	<input type="checkbox"/> 31-35 <input type="checkbox"/> 36-50 <input type="checkbox"/> over 50
Product:	Marital Status:
Please indicate the most important factors that influenced your decision to purchase this product.	<input type="checkbox"/> Married <input type="checkbox"/> Single
<input type="checkbox"/> Price	Is This Product Used In The:
<input type="checkbox"/> Product Features	<input type="checkbox"/> Home <input type="checkbox"/> Business
<input type="checkbox"/> Avanti Reputation	How Did You Learn About This
<input type="checkbox"/> Product Quality	Product:
<input type="checkbox"/> Salesperson Recommendation	<input type="checkbox"/> Advertising <input type="checkbox"/> Product Features
<input type="checkbox"/> Friend/Relative Recommendation	<input type="checkbox"/> In Store Demo <input type="checkbox"/> Personal Demo
<input type="checkbox"/> Warranty	<input type="checkbox"/> Other _____
<input type="checkbox"/> Other _____	<u>Comments</u> _____

HELP US HELP YOU...

Read this guide carefully.

It is intended to help you operate and maintain your new refrigerator properly.

Keep it handy to answer your questions. If you don't understand something or you need more help, please call:

**Avanti Customer Service
800-220-5570**

Keep proof of original purchase date (such as your sales slip) with this guide to establish the warranty period.

CAUTION:

**THIS REFRIGERATOR
IS NOT DESIGNED FOR
THE STORAGE OF
MEDICINE OR OTHER
MEDICAL PRODUCTS.**

Write down the model and serial numbers.

You'll find them on a plate located on the rear wall outside the refrigerator.

Please write these numbers here:

Date of Purchase

Model Number

Serial Number

Use these numbers in any correspondence or service calls concerning your refrigerator. If you received a damaged refrigerator, immediately contact the dealer (or builder) that sold you the refrigerator.

Save time and money. Before you call for service, check the Troubleshooting Guide. It lists causes of minor operating problems that you can correct yourself.

IF YOU NEED SERVICE

We're proud of our service and want you to be pleased. If for some reason you are not happy with the service you receive, here are some steps to follow for further help.

FIRST, contact the people who serviced your appliance. Explain why you are not pleased. In most cases, this will solve the problem.

NEXT, if you are still not pleased, write all the details, including your telephone number, and send to:

Customer Service
Avanti Products
10880 NW 30 Street
Miami, FL 33172

PARTS AND FEATURES

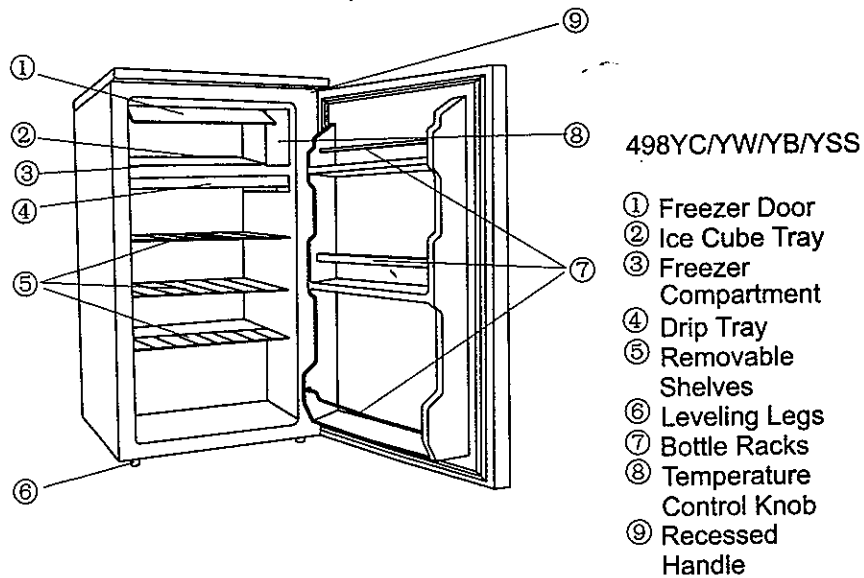
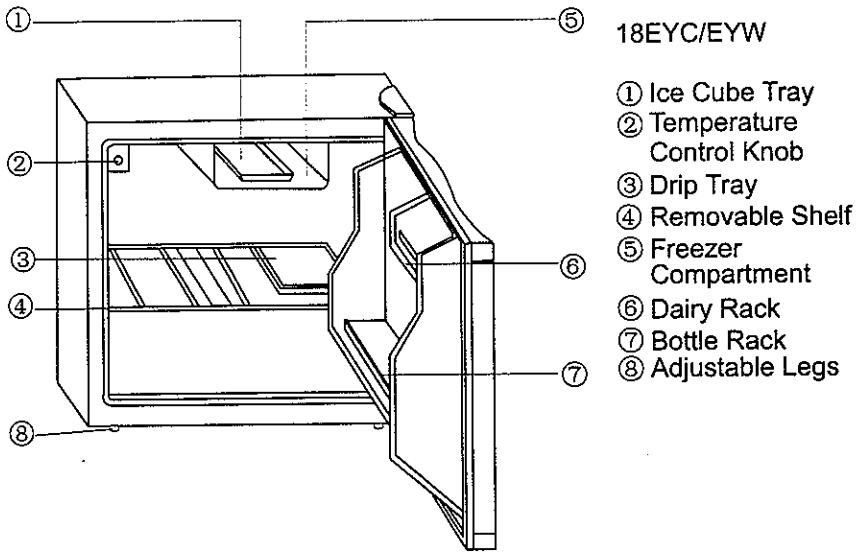


Table of Contents

Warranty Information and Registration Card-----	1
Help Us Help You-----	2
Parts and Features-----	3
Important Safety Instructions-----	5
Installation Instructions-----	5
Before Using Your Refrigerator-----	5
Installation of Your Refrigerator-----	5
Electrical Connection-----	6
Reversing the Door Swing of Your Refrigerator-----	7
Model 18EYC/EYW-----	7
Model 498YC/YW/YB/YSS-----	8
Operating Your Refrigerator-----	9
Temperature Control-----	9
Defrosting Your Refrigerator-----	9
The Freezer Compartment-----	10
Using Your Ice Cube Trays-----	10
Care and Maintenance-----	10
Vacation Time-----	11
Moving Your Refrigerator-----	11
Troubleshooting Guide-----	12
Service for Your Refrigerator-----	13
Your Avanti Products Warranty-----	14
18EYC/EYW Parts Breakdown-----	15
18EYC/EYW Parts List-----	16
498YC/YW/YB/YSS Parts Breakdown-----	17
498YC/YW/YB/YSS Parts List-----	18
Wiring Diagrams-----	19

Important Safety Instructions

▲ WARNING ⚡	To reduce the risk of fire, electric shock, or injury when using your refrigerator, follow these basic precautions:
<ul style="list-style-type: none">• Read all instructions before using the refrigerator.• DANGER OR WARNING: Risk of child entrapment.• Before you throw away old refrigerator or freezer: Take off the doors. Leave the shelves in place so that children may not easily climb inside.• Never allow children to operate, play with, or crawl inside the refrigerator.• Never clean refrigerator parts with flammable fluids. The fumes can create a fire hazard or explosion.• Do not store or use gasoline or any other flammable vapors and liquids in the vicinity of this or any other refrigerator. The fumes can create a fire hazard or explosion.	
-Save these instructions-	

Installation Instructions

➤ Before Using Your Refrigerator

- Remove the exterior and interior packing.
- Check to be sure you have all of the parts listed below:
 - 1 Ice Tray
 - 1 Removable Shelf (Model 18)
 - 3 Removable shelves (Model 498)
 - 1 Drip Tray
 - 1 Instruction Manual

If any parts are missing, please contact (800)220-5570

- Before connecting the appliance to the power source, let it stand upright for approximately two hours. This will reduce the possibility of a malfunction in the cooling system from handling during transportation.
- Cleaning the interior surface with lukewarm water using a soft cloth.

➤ Installation of Your Refrigerator

- Place your appliance on a floor that is strong enough to support the appliance when it is fully loaded. To level your appliance, adjust the legs at the front of the appliance.
- Allow 4 inches of space between the back and sides of the appliance, which allows the proper air circulation to cool the compressor.
- Locate the appliance away from direct sunlight and sources of heat or

water(stove, heater, radiator, sink, pool, etc.). Direct sunlight may affect the acrylic coating and heat sources may increase electrical consumption. All electrical appliances should be kept away from water to prevent possibility of electrical shock. Avoid humid places and extreme cold ambient temperature, as this will affect the cooling efficiency of your appliance.

- Avoid locating the appliance in moist areas. Too much moisture in the air will cause frost to form quickly on the evaporator requiring more frequent defrosting of the refrigerator.
- Plug the appliance into an exclusive properly installed grounded wall outlet. Do not under any circumstances cut or remove the third (ground) prong from the power cord. Any questions concerning power and or grounding should be directed toward a certified electrician or an authorized Avanti Products service center.

➤ **Electrical Connection**

Warning

Improper use of the grounded plug can result in the risk of electrical shock. If the power cord is damaged have it replaced by an authorized Avanti products service center.

This appliance should be properly grounded for your safety. The power cord of this appliance is equipped with a three-prong plug which mates with standard three prong wall outlets to minimize the possibility of electrical shock.

Do not under any circumstances cut or remove the third grounded prong from the power cord supplied.

Use of extension cords is not recommended.

This appliance requires a standard 115/120 volt, 60Hz electrical outlet with three-prong ground. The cord should be secured behind the appliance and not left exposed or dangling to prevent accidental injury.

REVERSING THE DOOR SWING OF YOUR REFRIGERATOR

This refrigerator has the capability of either opening the door from the left or right side. This unit is delivered to you with the door opening from the left side. Should you desire to reverse the opening direction, please follow these instructions.

NOTE:

All parts removed must be saved to do the reinstallation of the door.

➤ Reversal and Installation of the Refrigerator Door (18EYC/EYW)

- Remove the upper hinge cap (1).
- Using a sharp object, pry out the two plug buttons(10).
- Remove the two Phillips screws(2) that connect the upper hinge(3) on the right side of the cabinet top.
- Carefully lift the door and place it on a padded surface to prevent it from scratching. Remove the plug(9) and transfer it to the uncovered hole at the right side. Be sure to press the button firmly into the hole.
- Remove the two bolts(7) that hold the lower hinge(4) on the right side.
- Remove the screw-type leveling front leg(8) and transfer it to the right side as shown in the figure below.
- Secure the lower left hinge(4) previously removed in step 5. Before placing this lower hinge, remove the bolt-pin(5) and screw-type short leg(6) and reverse the direction of the hinge.
- Insert the bolt-pin(5) and short leg(6) into the lower door hinge(4) in the new position. Set the door into it's new place making sure the pin enters the bushing at the lower frame section(hole).
- Secure the upper hinge(3) previously removed in step 3 on the left side. Make sure the pin enters the bushing at the upper frame section(hole).
- Loosely secure the lower left hinge(4) and do not tighten the bolts until the door is in the closed position and leveled.
- Insert the plug buttons(10) on the uncovered holes(right side).
- Replace the upper hinge cap(1).

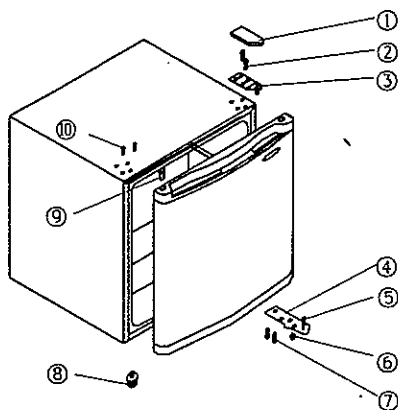


Figure 1

- ① Door Hinge Cap
- ② Door hinge Screws
- ③ Upper Door Hinge
- ④ Lower Door Hinge
- ⑤ Bolt Pin
- ⑥ Short Leg
- ⑦ Door Hinge Bolts
- ⑧ Leveling Front Leg
- ⑨ Hinge Plug(Door Frame)
- ⑩ Plugs

➤ **Reversal And Installation Of The Refrigerator Door(498YC/YW/YB/YSS)**

- Remove the two screws(1)that hold the lower hinge(2)(right side)to the frame. Also, remove the screw-type leveling front leg(3).
- Remove the left front leg(4) and transfer it to the right side.
- Lift the door and place it on a padded surface to prevent scratching it. Make sure to remove the spring(5) located inside the upper right hole of the door and the upper right side pin(6).
- Remove the plug button(7)from the upper left hole of the door and transfer it to the uncovered hole at the right side. Be sure to press the button firmly into the hole.
- Insert the upper pin(6) previously removed from the right side (step 3) and transfer it to the other hole at the left side of the top frame.
- Insert the spring(5)previously removed(step 3)inside the upper left side hole of the door.
- Set the door to its place making sure the pin(6)enters the bushing at the lower upper frame section(hole).
- While holding the door in the closed position, secure the lower left hinge(2)previously removed(step 1).Before placing this lower hinge, remove the upper bolt-pin(8) and reverse the direction of the hinge.
- Insert the bolt-pin(8)and do not tighten until the top of the door is leveled with the counter top.
- Insert the two screws(1)previously removed(step 1)and tighten them.

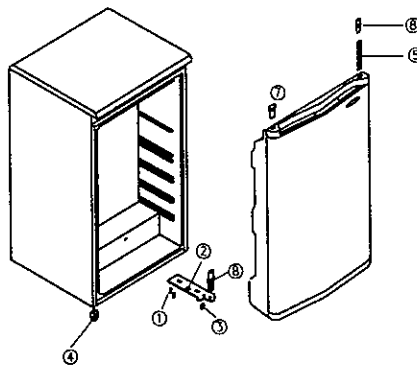


FIGURE 1(Position prior to door reversal)

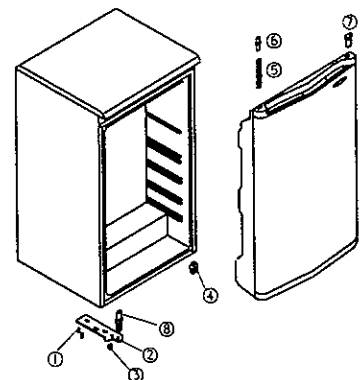


FIGURE 2(Position after door reversal)

- ① Door Hinge Screws
- ② Lower Door Hinge
- ③ Front Leveling Legs
- ④ Left Front Leg
- ⑤ Door Frame Spring
- ⑥ Door Frame Pin
- ⑦ Hinge Plug(Door Frame)Left Side
- ⑧ Door Hinge Bolt

OPERATING YOUR REFRIGERATOR

- Temperature Control

- Your refrigerator has only one control for regulating the temperature in the fresh food and the freezer compartments. The temperature control is located on the upper right hand side of the fresh food section.
- The first time you turn the unit on, set the temperature control to 3 or the mid-position.
- The range of the temperature control is from position "1" the warmest to "7" the coldest on Model 18EYC/EYW and from position "1" the warmest to "8" the coldest on Model 498YC/YW/YB/YSS. After 24 to 48 hours, adjust the temperature control to the setting that best suits your needs. The setting of "4" should be correct for home or office refrigerator use.
- To turn the refrigerator off, turn the temperature control to "0" for 18EYC/EYW or "OFF" for 498YC/YW/YB/YSS.

NOTE:

- ♦ Turning the temperature control to "0/OFF" position stops the cooling cycle but does not shut off the power to the refrigerator.
- ♦ If the unit is unplugged, lost power, or turned off; you must wait 3 to 5 minutes before restarting the unit. If you attempt to restart before this time delay, the refrigerator will not start.
- ♦ Large amounts of food will lower the cooling efficiency of the appliance.
- Water Collection Tray(See Page 16/18)can be used to improve the cooling in the refrigerator or the freezing compartment.
- To increase the cooling in the refrigerator compartment, remove the collection tray.
- To increase the cooling in the freezer compartment, leave in the collection tray.

> Defrosting Your Refrigerator

- When? For the most efficient operation and minimum energy consumption, defrost the freezer compartment when the frost on the freezer walls is excessive or 1/4 inch thick.
- How?

CAUTION:

Do not use boiling water because it may damage the plastic parts. In addition, never use a sharp or metallic instrument to remove frost as it may damage the cooling coils and will void the warranty. We recommend using the plastic scraper provide with your unit.

- Remove the frozen food from the freezer and place it in a cooler to protect the food.
- Turn the thermostat knob to "0/OFF". The compressor will stop running.
- During the defrost, the ice melts into the water collection tray. The water must be removed from the water collection tray.

- Dry the water collection tray and place it back under the freezer compartment.
- Clean the interior of the refrigerator(See "Cleaning"Pg.10)and reset the thermostat to desired setting. Return food to the refrigerator.

HELPFUL HINT:

Defrosting usually takes a few hours. Leaving the door open will help speed the process. Also, pouring warm water(not boiling)on the ice/frost will help speed melting. If you must use a scraper-please use caution-it is very easy to damage the freezer compartment and void your warranty.

➤ **The Freezer Compartment**

- This compartment is designed for production of ice cubes and short term storage(3-4days at most)of some commercially frozen foods.
- The temperature in this compartment does not get cold enough to freezer food safely for long periods of time and works best when the food is already frozen.
- By design, this freezer compartment is not a true freezer, and may not keep ice cream frozen, or freeze items other than ice cubes.
- A colder setting may be used for these items, but other items in the refrigerator may also be affected.
- The freezer door is susceptible to breakage if excessive ice is allowed to build around the evaporator. Be sure to defrost the unit whenever ice reaches 1/4 inch thick. Please note that the freezer door damage is not covered under your warranty.

➤ **Using Your Ice Cube Tray**

- The ice cube tray need to be set on the floor of the freezer to freeze properly.
- To eject the ice cubes from the tray, place over the ice bucket and twist slightly.

CARE AND MAINTENANCE

➤ **Cleaning Your Refrigerator**

- **Upon installation of your new appliance, it is recommended that it be cleaned thoroughly.**
- Turn the temperature control to "0/OFF", unplug the refrigerator, and remove the food, shelves, and trays.
- Wash the inside with a damp warm cloth containing a water and baking soda solution. The solution should be about 2 tablespoons of baking soda to a quart of water.
- Wash the shelves and trays with a mild detergent solution.
- Be sure to keep the door gasket(seal)clean to keep the unit running efficiently.
- The outside of the refrigerator should be cleaned with mild detergent and warm water.

- Dry the interior and exterior with a soft cloth.
- It is recommended that the unit be cleaned each time it is defrosted to help keep the unit odor free and running efficiently.

Helpful Hint:

To help prevent odors, leave an open box of baking soda inside the refrigerator on the shelf.

➤ **Vacation Time**

- Remove all the food.
- Unplug the refrigerator.
- Clean the refrigerator.
- Leave the door open slightly to avoid possible formation of condensation, mold, or odors.
- Use extreme caution in the case of children. The unit should not be accessible to child's play.
- In the case of long term storage, the unit should be sealed with tape, or have the door removed.

➤ **Moving Your Refrigerator**

- Remove all the food.
Securely tape down all loose items inside your refrigerator.
- Turn the leveling screws up to the base to avoid damage.
- Tape the doors shut.
- Be sure the refrigerator stays in the upright position during transportation.

TROUBLESHOOTING GUIDE

PROBLEM	POSSIBLE CAUSE
Refrigerator does not operate.	<p>Not plugged in.</p> <p>The circuit breaker tripped or blown fuse.</p> <p>The refrigerator temperature control is set at "0/OFF".</p>
Compressor turns on and off frequently.	<p>The room temperature is hotter than normal.</p> <p>A large amount of food has been added to the refrigerator.</p> <p>The door is opened too often.</p> <p>The door is not closed completely.</p> <p>The temperature control is not set correctly.</p> <p>The door gasket does not seal properly.</p> <p>The refrigerator does not have the correct clearances.</p>
Vibrations.	<p>Check to assure that the refrigerator is level.</p>
The refrigerator seems to make too much noise.	<p>The rattling noise may come from the flow of the refrigerant, which is normal.</p> <p>As each cycle ends, you may hear gurgling sounds caused by the flow of refrigerant in your refrigerator.</p> <p>Contraction and expansion of the inside walls may cause popping and crackling noises.</p> <p>The refrigerator is not level.</p>
The door will not close properly.	<p>The refrigerator is not level.</p> <p>The doors were reversed and not properly installed.</p> <p>The gasket is dirty.</p> <p>The shelves, bins, or baskets are out of position.</p>

SERVICE FOR YOUR REFRIGERATOR

We are proud of our customer service organization and the network of professional service technicians that provide service on your Avanti appliances. With the purchase of your Avanti appliance, you can have the confidence that if you ever need additional information or assistance, the Avanti Products Customer Service team will be here for you. Just call us toll-free.

AVANTI PRODUCTS CUSTOMER SERVICES

Product Information 800-323-5029	Whatever your questions are about our products, help is available.
Part Orders 800-220-5570	You may order parts and accessories that will be delivered directly to your home. You may order these items by personal check, money order, Master Card, or Visa.
In-Home Repair Service 800-220-5570	An Avanti Products authorized service center will provide expert repair service, scheduled at a time that is convenient for you. Our trained Servicicers know your appliance inside and out.

YOUR Avanti Products
WARRANTY

Staple your sales receipt here. Proof of original purchase date is needed to obtain service under warranty.

WHAT IS COVERED LIMITED ONE-YEAR WARRANTY

For one year from the date of purchase by the original owner, Avanti Products will, at its option, repair or replace any part of the appliance which proves to be defective in material or workmanship under normal use. During this period Avanti Products will provide all parts and labor necessary to correct such defects free of charge, so long as the appliance has been installed and operated in accordance with the written instructions in this manual. In rental or commercial use, the warranty period is 90 days. All Avanti Appliances of 3.5 cubic feet capacity or less must be brought/sent to the appliance service shop for repair.

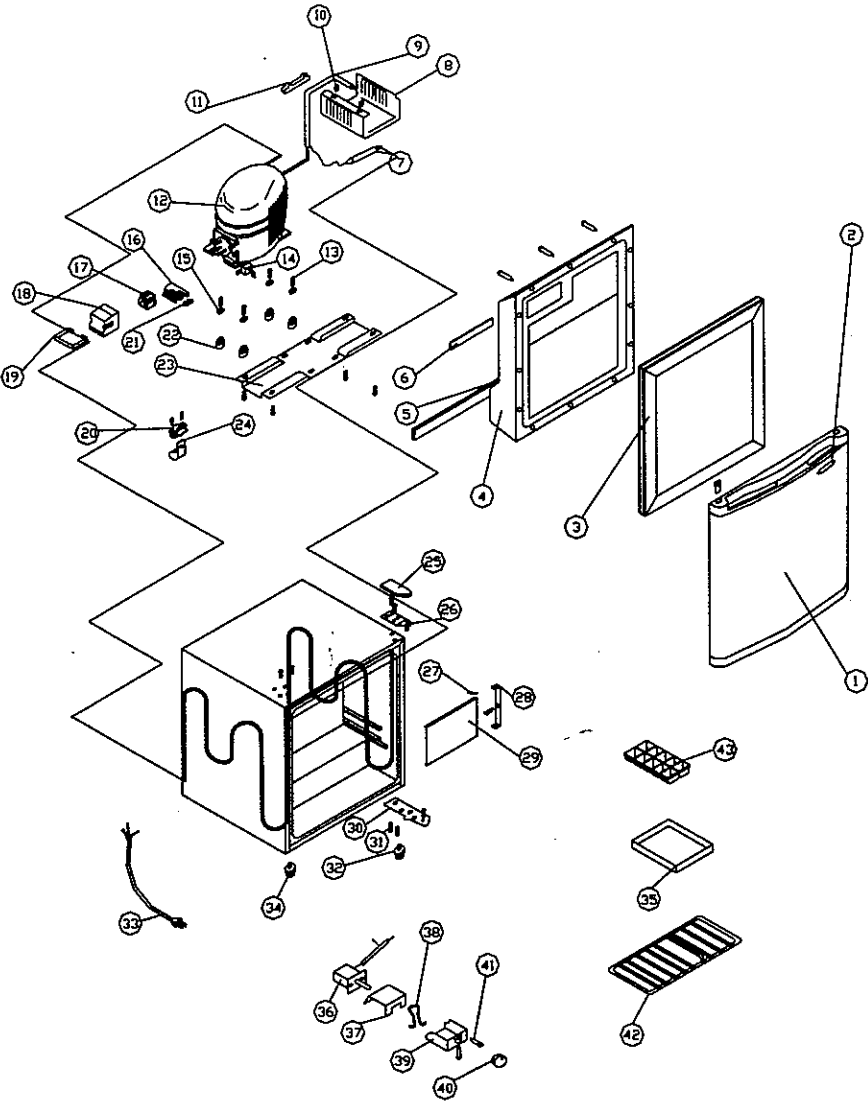
LIMITED SECOND THROUGH FIFTH YEAR WARRANTY

For the second through the fifth year from date of original purchase, Avanti Products will provide a replacement compressor free of charge due to a failure. You are responsible for the service labor and freight charges. In rental or commercial use, the limited compressor warranty is one year and nine months. Cost to move the appliance to the Servicer's shop and back to the user's home, as may be required, are the user's responsibility.

WHAT IS NOT COVERED

- Content losses of food due to spoilage.
- Incidental or consequential damages.
- Parts and labor costs for the following will not be considered as warranty.
- Evaporator doors, door springs, and/or frames.
- Inner door panels, door shelves, door rails, and/or door supports.
- Chest freezer lid liners.
- Vegetable crispers.
- Light bulbs and/or plastic housing.
- Plastic cabinet liners.
- Punctured evaporator that voids the warranty on the complete sealed system.
- Repairs performed by unauthorized services.
- Service calls that do not involve defects in material or workmanship such as customer education, door reversal, or proper installation.
- Service calls that are related to external problems, such as abuse, misuse, inadequate electrical power, accidents, fire, floods, or acts of God.
- Replacement of house fuses or resetting circuit breakers.
- Failure of the product if it is used for other than its intended purpose.
- This warranty does not apply outside the continental USA.

18EYC/EYW PARTS BREAKDOWN



MODEL 18EYC/EYW

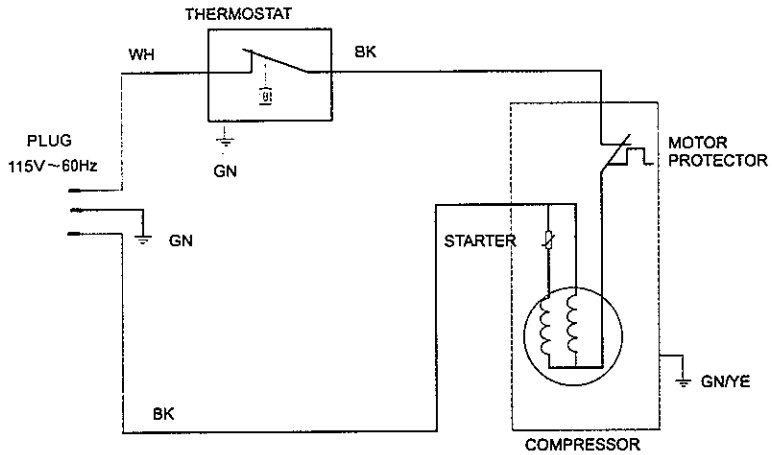
PARTS LIST	
NO.	DESCRIPTION
1	Door
2	Door Decal
3	Door Gasket
4	Door Liner
5	Lower Door Shelf Bar
6	Upper Door Shelf Bar
7	Dryer
8	Evaporator Assembly
9	Suction Tube Sleeve
10	Mount Washer
11	Thermostat Bulb Clamp
12	Compressor
13	Compressor Bolt
14	Compressor Earth Plate
15	Compressor Bolt Washer
16	Compressor Cord Clamp
17	PTC Relay
18	Relay Cover
19	Relay Cover Retainer
20	Load Wire Clamp
21	Compressor Cord Clamp
22	Rubber Grommet
23	Compressor Base
24	Load Dryer Clamp
25	Door Hinge Cover
26	Upper Door Hinge
27	Evaporator Door Hinge Spring
28	Evaporator Door Hinge
29	Evaporator Door
30	Lower Door Hinge
31	Door Hinge Bolt
32	Adjustable Foot
33	Power Supply cord
34	Foot
35	Drip Tray
36	Thermostat
37	Thermostat Mounting Plate
38	Load Knob Clamp
39	Thermostat Box
40	Temperature Control Knob
41	Self Tapping Screw
42	Shelf
43	Ice Cube Tray

MODEL 498YC/YW/YB/YSS

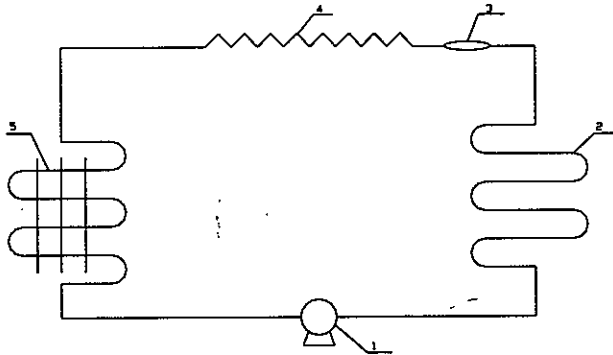
PARTS LIST	
NO.	DESCRIPTION
1	Door
2	Door Decal
3	Adjustable Grommet
4	Spring
5	Door Upper Axis
6	Door Gasket
7	Door Liner
8	Self Tapping Screw #1
9	Shelf Bar
10	Adjustable Shelf Bar
11	Axis Cover Grommet
12	Sensor Cover
13	Evaporator Assembly
14	Drier
15	Compressor
16	Compressor Base
17	Base Foot
18	Self Tapping Screw #2
19	Power Cord Upper Clamp
20	Power Cord Lower Clamp
21	Drier Clamp
22	Cabinet
23	Power Cord
24	Foot
25	Adjustable Foot
26	Lower Door Hinge
27	Lower Door Hinge Axis
28	Shelf #1
29	Shelf #2
30	Ice Tray
31	Drip Tray
32	Evaporator Door Left Support
33	Plug
34	Evaporator Door
35	Thermostat Box
36	Thermostat
37	Clamp
38	Control Knob
39	Compressor Bolt
39A	Compressor Bolt Washer
40	Rubber Grommet
41	Protector Cover
42	PTC relay
43	Cord Clamp B
44	Cord Clamp A
45	Earth Plate
46	Terminal Screw
47	Door Slot Plug
48	Compressor Base Bolt

18EYC/EYW WIRING DIAGRAM

CIRCUIT DIAGRAM

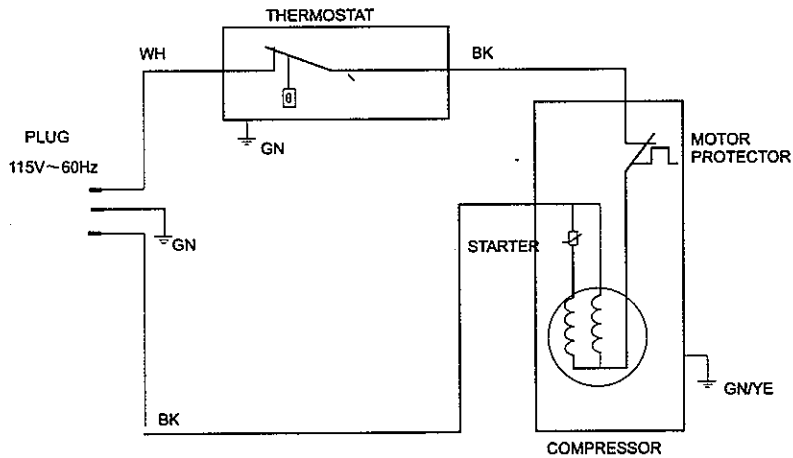


COOLING SYSTEM



- 1.Compressor
- 2.Condenser
- 3.Filter and Drier
- 4.Capillary
- 5.Evaporator

498YC/YW/YB/YSS WIRING DIAGRAM



Warranty Information

Thank you for purchasing this fine Avanti product. Please fill out this card and return it within 100 days of purchase and receive these important benefits:

- **Confirm your warranty:**
Your prompt product registration confirms your right to the protection available under the terms and conditions of your Avanti warranty.
- **Protect your product:**
We will keep the model number and date of purchase of your new Avanti product on file to help you refer to this information in the event of an insurance claim such as fire or theft.
- **Promote better products:**
We value your input. Your responses will help us develop products designed to best meet your future needs.

------(detach here)-----

Avanti Registration Card

Name _____			Model # _____	Serial # _____
Address _____			Date Purchased _____	Store/Dealer Name _____
City _____	State _____	Zip _____	Occupation _____	
Area Code _____	Phone Number _____		As Your Primary Residence, Do You: <input type="checkbox"/> Own <input type="checkbox"/> Rent	
Did You Purchase An Additional Warranty: <input type="checkbox"/> Extended <input type="checkbox"/> Food Loss <input type="checkbox"/> None			Your Age: <input type="checkbox"/> under 18 <input type="checkbox"/> 18-25 <input type="checkbox"/> 26-30 <input type="checkbox"/> 31-35 <input type="checkbox"/> 36-50 <input type="checkbox"/> over 50	
Reason For Choosing This Avanti Product: Please indicate the most important factors that influenced your decision to purchase this product. <input type="checkbox"/> Price <input type="checkbox"/> Product Features <input type="checkbox"/> Avanti Reputation <input type="checkbox"/> Product Quality <input type="checkbox"/> Salesperson Recommendation <input type="checkbox"/> Friend/Relative Recommendation <input type="checkbox"/> Warranty <input type="checkbox"/> Other _____			Marital Status: <input type="checkbox"/> Married <input type="checkbox"/> Single Is This Product Used In The: <input type="checkbox"/> Home <input type="checkbox"/> Business How Did You Learn About This Product: <input type="checkbox"/> Advertising <input type="checkbox"/> Product Features <input type="checkbox"/> In Store Demo <input type="checkbox"/> Personal Demo <input type="checkbox"/> Other _____ Comments _____ _____ _____	

Free Manuals Download Website

<http://myh66.com>

<http://usermanuals.us>

<http://www.somanuals.com>

<http://www.4manuals.cc>

<http://www.manual-lib.com>

<http://www.404manual.com>

<http://www.luxmanual.com>

<http://aubethermostatmanual.com>

Golf course search by state

<http://golfingnear.com>

Email search by domain

<http://emailbydomain.com>

Auto manuals search

<http://auto.somanuals.com>

TV manuals search

<http://tv.somanuals.com>