



**INSTRUCTION MANUAL
MANUAL DE INSTRUCCIONES**

Model Numbers: 31YWT/32YBT
No. de Modelos: 31YWT/32YBT

CAUTION:

BEFORE USE, PLEASE READ AND FOLLOW ALL SAFETY RULES AND OPERATING INSTRUCTIONS.

Avanti has a policy of continuous improvement on its products and reserves the right to change materials and specifications without notice.

**Avanti Products, A Division of The Mackle Co., Inc.
P.O. Box 520604 - Miami, Florida 33152
www.avantiproductions.com**

Warranty Information

Thank you for purchasing this fine Avanti product. Please fill out this card and return it within 100 days of purchase and receive these important benefits:

➤ **Confirm your warranty:**

Your prompt product registration confirms your right to the protection available under the terms and conditions of your Avanti warranty.

➤ **Protect your product:**

We will keep the model number and date of purchase of your new Avanti product on file to help you refer to this information in the event of an insurance claim such as fire or theft.

➤ **Promote better products:**

We value your input. Your responses will help us develop products designed to best meet your future needs.

------(detach here)-----

Avanti Registration Card

Name

Model #

Serial #

Address

Date Purchased

Store/Dealer Name

City

State

Zip

Occupation

Area Code

Phone Number

As Your Primary Residence, Do You:

Own

Rent

Did You Purchase An Additional Warranty:

Extended Food Loss None

Reason For Choosing This Avanti Product:

Please indicate the most important factors that influenced your decision to purchase this product.

Price

Product Features

Avanti Reputation

Product Quality

Salesperson Recommendation

Friend/Relative Recommendation

Warranty

Other _____

Your Age:

under 18

18-25

26-30

31-35

36-50

over 50

Marital Status:

Married

Single

Is This Product Used In The:

Home

Business

How Did You Learn About This Product:

Advertising

Product Features

In Store Demo

Personal Demo

Other _____

Comments _____

HELP US HELP YOU...

Read this guide carefully.

It is intended to help you operate and maintain your new appliance properly.

Keep it handy to answer your questions. If you don't understand something or your need more help, please call:

Avanti Customer Service
800-220-5570

Keep proof of original purchase date (such as your sales slip) with this guide to establish the warranty period.

CAUTION:

**THIS APPLIANCE IS NOT
DESIGNED FOR THE STORAGE
OF MEDICINE OR OTHER
MEDICAL PRODUCTS.**

Write down the model and serial numbers.

You'll find them on a plate located on the back of the appliance.

Please write these numbers here:

Date of Purchase

Model Number

Serial Number

Use these numbers in any correspondence or service calls concerning your appliance.

If you received a damaged appliance, immediately contact the dealer (or builder) that sold you the appliance.

Save time and money. Before you call for service, check the Troubleshooting Guide. It lists causes of minor operating problems that you can correct yourself.

IF YOU NEED SERVICE

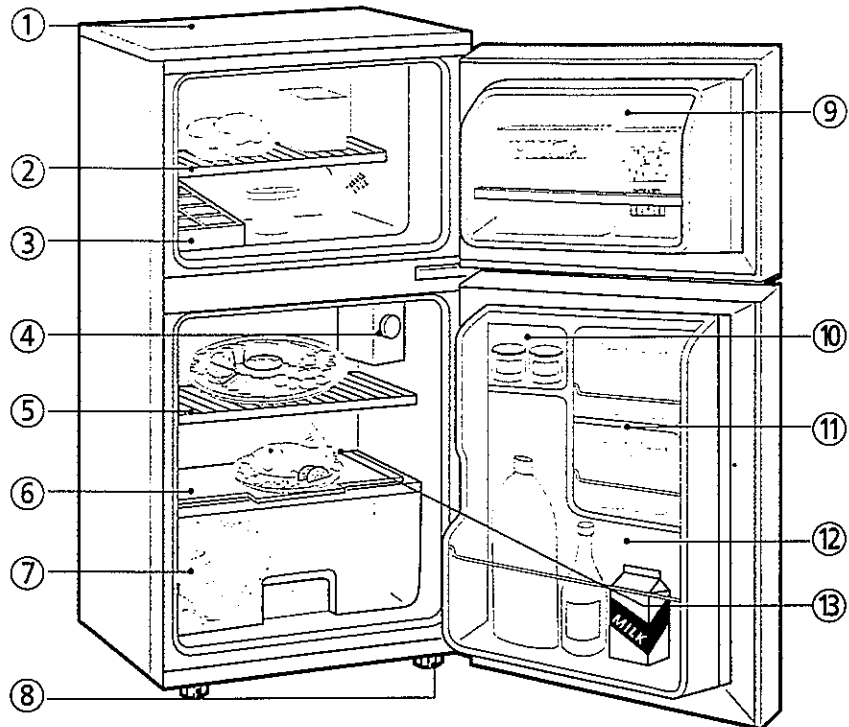
We're proud of our service and want you to be pleased. If for some reason you are not happy with the service you receive, here are some steps to follow for further help.

FIRST, contact the people who serviced your appliance. Explain why you are not pleased. In most cases, this will solve the problem.

NEXT, if you are still not pleased, write all the details, including your telephone number, and send to:

Customer Service
Avanti Products
10880 NW 30 Street
Miami, FL 33172

Parts and Features



1. Countertop/Tapa Superior
2. Removable Freezer Shelf / Estante Removible del Congelador
3. Ice Cube Tray / Cubetera de Hielo
4. Temperature Control Dial and Light Bulb/ Caja de control de Temperaturas y Lámpara
5. Removable Refrigerator Shelf / Estante Removible del Refrigerador
6. Crisper Cover / Estante Plástico
7. Crisper / Gaveta Para Vegetales
8. Height Adjustable Legs / Patas de Nivelar
9. Freezer Compartment / Compartimiento del Congelador
10. Dairy Compartment / Compartimiento para Mantequilla
11. Soda Bins / Compartimiento Para Latas
12. Bottle Rack / Compartimiento Para Botellas
13. Drain Hole / Agujero para Salida

Table of Contents

Warranty Information and Registration Card	2
Help Us Help You	3
Parts and Features	4
Important Safety Instructions	6
Installation Instructions	6
Before Using Your Appliance	6
Installation of Your Appliance	6
Electrical Connection	7
Reversing the Door Swing of Your Appliance	8,9
Operating Your Appliance	10
Temperature Control	10
Winter Position	10
Defrosting Your Appliance	11
Using Your Ice Cube Tray	11
Changing the Light Bulb	12
The Freezer Compartment	12
Care and Maintenance	12
Cleaning Your Appliance	12
Vacation Time	12
Moving Your Appliance	12
Energy Saving Tips	12
Troubleshooting Guide	13
Service For Your Appliance	14
Your Avanti Products Warranty	15
Parts Breakdown	16
Parts List	17,18
Wiring Diagram	19
Spanish Version	20-23

Important Safety Instructions

WARNING ✗

To reduce the risk of fire, electrical shock, or injury when using your appliance, follow these basic precautions:

- Read all instructions before using the appliance.
- **Danger or Warning:** Risk of child entrapment.
- Child entrapment and suffocation are not problems of the past. Junked or abandoned appliances are still dangerous... even if they will "just sit in the garage a few days."
- **Before you throw away your old refrigerator or freezer :** Take off the doors. Leave the shelves in place so that children may not easily climb inside.
- Never allow children to operate, play with, or crawl inside the appliance.
- Never clean appliance parts with flammable fluids. The fumes can create a fire hazard or explosion.
- Do not store or use gasoline or any other flammable vapors and liquids in the vicinity of this or any other appliance. The fumes can create a fire hazard or explosion.

- Save these instructions -

INSTALLATION INSTRUCTIONS

➤ Before Using Your Appliance

- Remove the exterior and interior packing.
- Check to be sure you have all of the following parts:
 - Ice cube Tray.
 - Instruction Manual.
- Before connecting the appliance to the power source, let it stand upright for approximately 2 hours. This will reduce the possibility of a malfunction in the cooling system from handling during transportation.
- Clean the interior surface with lukewarm water using a soft cloth.

➤ Installation of Your Appliance

- This appliance is designed to be free standing only, and should not be recessed or built-in.
- Place your appliance on a floor that is strong enough to support the appliance when it is fully loaded. To level your appliance, adjust the legs at the front of the appliance.
- Allow 5 inches of space between the back and sides of the appliance, which allows the proper air circulation to cool the compressor.
- Locate the appliance away from direct sunlight and sources of heat (stove, heater, radiator, etc.). Direct sunlight may affect the acrylic coating and heat sources may increase electrical consumption. Extreme cold ambient temperatures may also cause the appliance not to perform properly.
- Avoid locating the appliance in moist areas. Too much moisture in the air will cause frost to form quickly on the evaporator requiring more frequent defrosting of the appliance.
- Plug the appliance into an exclusive properly installed-grounded wall outlet. Do not under any circumstances cut or remove the third (ground) prong from the power cord. Any questions concerning power and or grounding should be directed toward a certified electrician or an authorized Avanti Products service center.
- After plugging the appliance into a wall outlet, allow the unit to cool down for 2-3 hours before placing food in the freezer or refrigerator compartment.

➤ Electrical Connection

⚡ Warning ⚡

Improper use of the grounded plug can result in the risk of electrical shock. If the power cord is damaged, have it replaced by an authorized Avanti Products service center.

Grounding instructions.

Refer to serial plate for correct electrical rating. This appliance must be grounded. In the event of an electrical short circuit, grounding reduces the risk of an electric shock. This appliance is equipped with three-prong cord with a ground plug. Do not, under any circumstances, cut or remove the ground prong from the power cord supplied with this appliance. This appliance must be plugged into an outlet that is properly grounded. Consult a qualified electrician for any questions as to whether your home or business has the proper electrical connections. Receptacles with Ground Fault Circuit Interrupters (GFCI) are **NOT RECOMMENDED**.

Use of extension cords is not recommended.

Never unplug the refrigerator by pulling the power cord. Always grip the plug firmly and pull straight out from the receptacle.

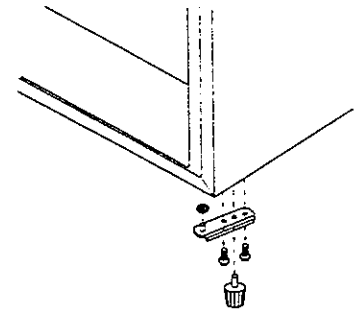
This appliance requires a standard 115/120 volt, 60Hz electrical outlet with three-prong ground. The cord should be secured behind the appliance and not left exposed or dangling to prevent accidental injury.

If voltage varies by 10 percent or more, refrigerator performance may be affected. Operating the refrigerator with insufficient power can damage the motor. Such damage is not covered under the warranty. If you suspect your household voltage is high or low, consult your power company for testing.

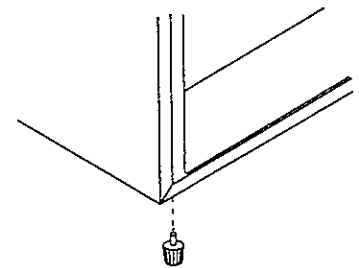
Do not pinch, knot, or bend the power cord in any manner.

CHANGING THE REVERSIBLE DOOR

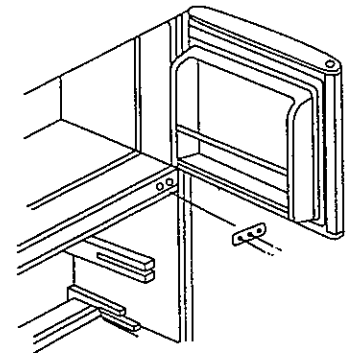
1. Remove the leveling leg attached to the bottom hinge.
2. Remove the two screws and washer that holds the bottom hinge to the cabinet, using a (+) screwdriver. Keep these screws and washer for later use.
3. Lower the refrigerator door straight down to free the middle hinge pin from the socket on the top of the door and pull forward.
4. Place the door on a padded surface to prevent scratching it.



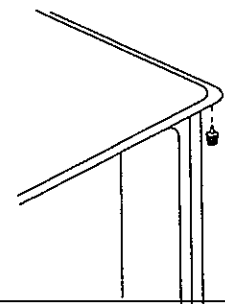
5. Remove the other leveling leg on the opposite side.



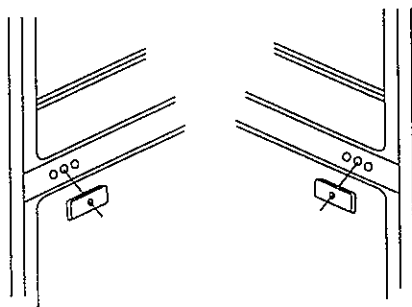
6. Remove the two screws that holds the middle hinge to the cabinet using, a (+) screwdriver. Keep these screws for later use.



7. Lower the freezer door straight down to unlock the bolt-pins of the countertop from the socket on the top of the door and pull forward.
8. Remove the bolt-pin of the countertop using (+) screwdriver attached to the countertop. Save this bolt-pin for later use.

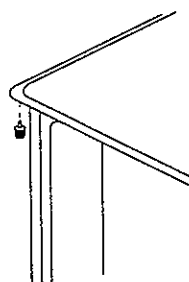


9. Remove the plastic cover and transfer it to the uncovered hole on the opposite side.



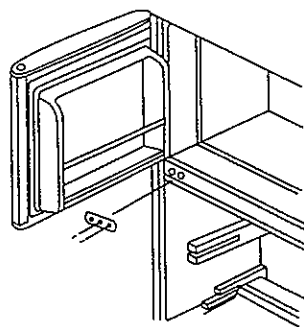
10. Replace previously removed bolt-pin in step 8 to the left side.

11. Rehang the freezer door in the upper bolt-pin.



12. With the freezer door open, replace the middle hinge at the left side.

13. Close the freezer door making sure the door is leveled with the top of the cabinet. Tighten screws holding middle hinge in place.

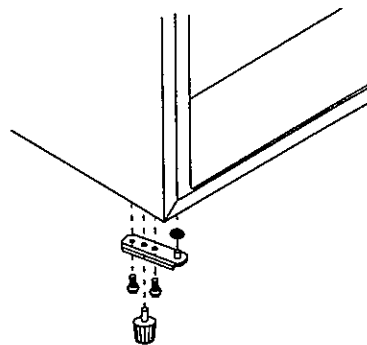


14. Replace the refrigerator door to the lower pin of the middle hinge and rehang the bottom of the refrigerator door. Making sure all pins are properly inserted, replace the bottom hinge using the two screws and washer.

15. Make sure the door is leveled.

16. Replace leveling legs on the bottom of the refrigerator.

(Two persons recommended)
Tools required: 1 (+) screwdriver



OPERATING YOUR APPLIANCE

➤ Temperature Control

- Your appliance has only one control for regulating the temperature in the fresh food and the freezer compartment. The temperature control is located on the upper right hand side of the fresh food section.
- The first time you turn the unit on set the temperature control to "MAX".
- The range of the temperature control is from position "MIN" the warmest to "MAX" the coldest. After 24 to 48 hours, adjust the temperature control to the setting that best suites your needs. The setting of "MED" should be correct for home or office appliance use.
- To turn the appliance off, turn the temperature control to "OFF".

NOTE:

- Turning the temperature control to "OFF" position stops the cooling cycle but does not shut off the power to the appliance.
- If the unit is unplugged, power lost, or turned off; you must wait 3 to 5 minutes before restarting the unit. If you attempt to restart before this time delay, the appliance will not start.

Defrost (OFF)	To remove frost in the freezer compartment (After removing frost, set to desired position.)
MIN	When Ambient Temp. is below 15°C or 59°F
MED	When Ambient Temp. is between 15-25°C or 59-77°F
MAX	When Ambient Temp. is above 25°C or 77°F
FAST FREEZE	To freeze food or beverage quickly (After use, set to desired position.)
WINTER	If ambient temperature is below 10°C or 50°F

➤ "WINTER" POSITION

Select the Winter Position when the temperature in the area where the appliance is located is colder than 10°C or 50°F.

This enables the freezer section to operate properly.

In case food inside the refrigerator is frozen.

1. If the temperature control dial is set to "FAST FREEZE" food inside the refrigerator may be frozen depending on the ambient temperature or amount of food. In that case, set the temperature control dial to "MED".
2. If ambient temperature is below 0°C, (or 32°F) food inside the refrigerator may be frozen even though dial is set to "MED or MIN".

Temperature inside the refrigerator.

The temperature inside the refrigerator may vary according to the frequency of door opening and/or amount of food. Refer to the following table.

Temp. Control Dial	Temp. of freezer, (middle section)
	Temp. of refrigerator, (middle section)
MED	About -15°C (5°F) (freezer section) About 3°C (38°F) (refrigerator section)
MIN	About -13°C (8°F) above the "MED" temp. (freezer section) About 5°C (41°F) above the "MED" temp. (refrigerator section)
MAX	About -17°C (1°F) below the "MED" temp. (freezer section) About 1°C (34°F) below the "MED" temp. (refrigerator section)

➤ Defrosting Your Appliance

- When? For the most efficient operation and minimum energy consumption, defrost the appliance compartment when the frost on the appliance walls is excessive or 1/4 inch thick.
- How?

CAUTION

Do not use boiling water because it may damage the plastic parts. In addition, never use a sharp or metallic instrument to remove frost as it may damage the cooling coils and will void the warranty. We recommend using the plastic scraper provided with your unit.

- Remove the frozen food from the appliance and place it in a cooler to protect the food.
- Set the thermostat dial to "OFF" and then wait 30-40 minutes.
- Keep drip tray in place. Defrosting usually takes a few hours.
- After defrosting, empty water from drip tray and return the thermostat dial to the desired position.

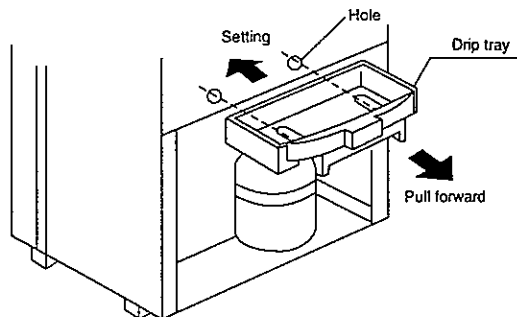
➤ Using Your Ice Cube Trays

For your ice requirements, fill approximately 3/4 of the tray after washing it.

- The ice cube tray need to be set on the floor of the freezer to freeze properly.
- To eject the ice cubes from the trays, place over the ice bucket upside down and twist slightly.

➤ Evaporator Drip Tray

- The drip tray is located on the top of the compressor in the rear of the unit. It can be easily removed by pulling the handle forward. When placing it on drip tray hole insert it horizontally as shown below.
- If not properly installed, defrosted water can enter into the compressor causing damage.



➤ CHANGING THE LIGHT BULB

Before removing the light bulb, either unplug the refrigerator or disconnect the electricity leading into the refrigerator at the main power supply. Failure to do so could result in electrical shock or personal injury.

- Remove the light bulb cover first by taking out the screw holding it. Also pull out the two plastic tabs holding the cover to the refrigerator wall at the opposite side.
- Unscrew the bulb.
- Replace with a 15 watt-refrigerator bulb that is the same shape and size.
- Replace the light bulb cover.

CARE AND MAINTENANCE

➤ Cleaning Your Appliance

- Turn the temperature control to "OFF", unplug the appliance, and remove the food, shelves, and trays.
- Wash the inside with a warm water and baking soda solution. The solution should be about 2 tablespoons of baking soda to a quart of water.
- Wash the shelves and trays with a mild detergent solution.
- The outside of the appliance should be cleaned with mild detergent and warm water.
- The condenser coils should be vacuumed when they are dusty or dirty.

➤ Vacation Time

During long absences, remove all the food; unplug your appliance, clean your appliance, and leave the door open slightly to avoid possible formation of condensation, mold, or odors.

➤ Moving Your Appliance

- Remove all the food.
- Securely tape down all loose items inside your appliance.
- Turn the leveling screws up to the base to avoid damage.
- Tape the doors shut.
- Be sure the appliance stays in the upright position during transportation.
- Protect the outside of the appliance with a blanket, or similar item.

➤ Energy Saving Tips

- The appliance should be located in the coolest area of the room, away from heat producing appliances or heating ducts, and out of the direct sunlight.
- Let hot foods cool to room temperature before placing in the appliance. Overloading the appliance forces the compressor to run longer. Foods that freeze too slowly may lose quality, or spoil.
- Be sure to wrap foods properly, and wipe containers dry before placing them in the appliance. This cuts down on frost build-up inside the appliance.
- Appliance storage bin should not be lined with aluminum foil, wax paper, or paper toweling. Liners interfere with cold air circulation, making the appliance less efficient.
- Organize and label food to reduce door openings and extended searches. Remove as many items as needed at one time, and close the door as soon as possible.

PROBLEMS WITH YOUR APPLIANCE?

You can solve many common appliance problems easily, saving you the cost of a possible service call. Try the suggestions below to see if you can solve the problem before calling the servicer.

TROUBLESHOOTING GUIDE

PROBLEM	POSSIBLE CAUSE
Appliance does not operate.	Not plugged in. The circuit breaker tripped or blown fuse. The appliance temperature control is set at "0".
Compressor turns on and off frequently.	Condenser coil at the back of the unit is dirty. The room temperature is hotter than normal. A large amount of food has been added to the appliance. The door is open too often. The door is not closed completely. The temperature control is not set correctly. The door gasket does not seal properly. The appliance does not have the correct clearances.
The light does not work.	The home circuit breaker or fuse has tripped. The refrigerator is unplugged. The bulb has burned out (see the maintenance section for the replacement procedure).
Vibrations.	Check to assure that the appliance is level.
The appliance seems to make too much noise.	The rattling noise may come from the flow of the refrigerant, which is normal. As each cycle ends, you may hear gurgling sounds caused by the flow of refrigerant in your appliance. Contraction and expansion of the inside walls may cause popping and crackling noises. The appliance is not level.
The door will not close properly.	The appliance is not level. The doors were reversed and not properly installed. The gasket is dirty. The shelves, bins, or baskets are out of position.

SERVICE FOR YOUR APPLIANCE

We are proud of our customer service organization and the network of professional service technicians that provide service on your Avanti appliances. With the purchase of your Avanti appliance, you can have the confidence that if you ever need additional information or assistance, the Avanti Products Customer Service team will be here for you. Just call us toll-free.

AVANTI PRODUCTS CUSTOMER SERVICES

Product Information 800-323-5029	Whatever your questions are about our products, help is available.
Part Orders 800-220-5570	You may order parts and accessories that will be delivered directly to your home. You may order these items by personal check, money order, Master Card, or Visa.
In-Home Repair Service 800-220-5570	An Avanti Products authorized service center will provide expert repair service, scheduled at a time that is convenient for you. Our trained servicers know your appliance inside and out.

YOUR Avanti Products WARRANTY

Staple your sales receipt here. Proof of original purchase date is needed to obtain service under warranty.

WHAT IS COVERED

LIMITED ONE-YEAR WARRANTY

For one year from the date of purchase by the original owner, Avanti Products will, at its option, repair or replace any part of the appliance which proves to be defective in material or workmanship under normal use. During this period Avanti Products will provide all parts and labor necessary to correct such defects free of charge, so long as the appliance has been installed and operated in accordance with the written instructions in this manual. The customer will be responsible for cost of service call resulting from problems considered Normal responsibilities of User. In rental or commercial use, the warranty period is 90 days. All Avanti appliances of 3.5 cubic foot capacity or less must be brought/sent to the applicable service shop for repair.

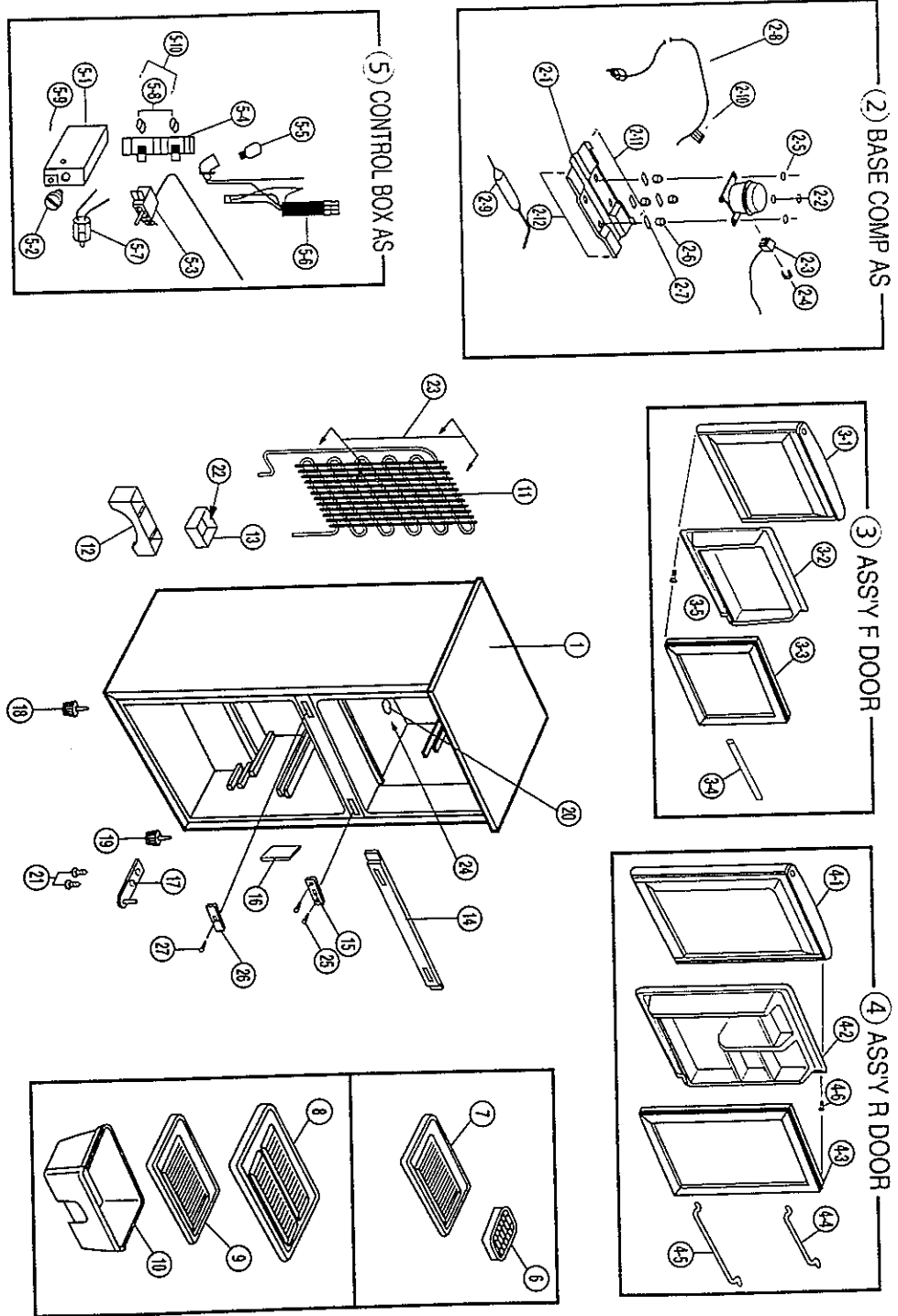
LIMITED SECOND THROUGH FIFTH YEAR WARRANTY

For the second through the fifth year from date of original purchase, Avanti Products will provide a replacement compressor free of charge due to a failure. You are responsible for the service labor and freight charges. In rental or commercial use, the limited compressor warranty is one year and nine months. Cost to move the appliance to the servicers' shop and back to the user's home, as may be required, are the user's responsibility.

WHAT IS NOT COVERED

- Content losses of food due to spoilage.
- Incidental or consequential damages.
- Parts and labor costs for the following will not be considered as warranty:
 - Evaporator doors, door springs, and/or frames.
 - Inner door panels, door shelves, door rails, and/or door supports.
 - Chest appliance lid liners.
 - Vegetable crispers.
 - Light bulbs and/or plastic housing.
 - Plastic cabinet liners.
 - Punctured evaporator that voids the warranty on the complete sealed system.
- Repairs performed by unauthorized servicers.
- Service calls that do not involve defects in material or workmanship such as customer education, door reversal, or proper installation.
- Service calls that are related to external problems, such as abuse, misuse, inadequate electrical power, accidents, fire, floods, or acts of God.
- Replacement of house fuses or resetting circuit breakers.
- Failure of the product if it is used for other than its intended purpose.
- This warranty does not apply outside the continental USA.

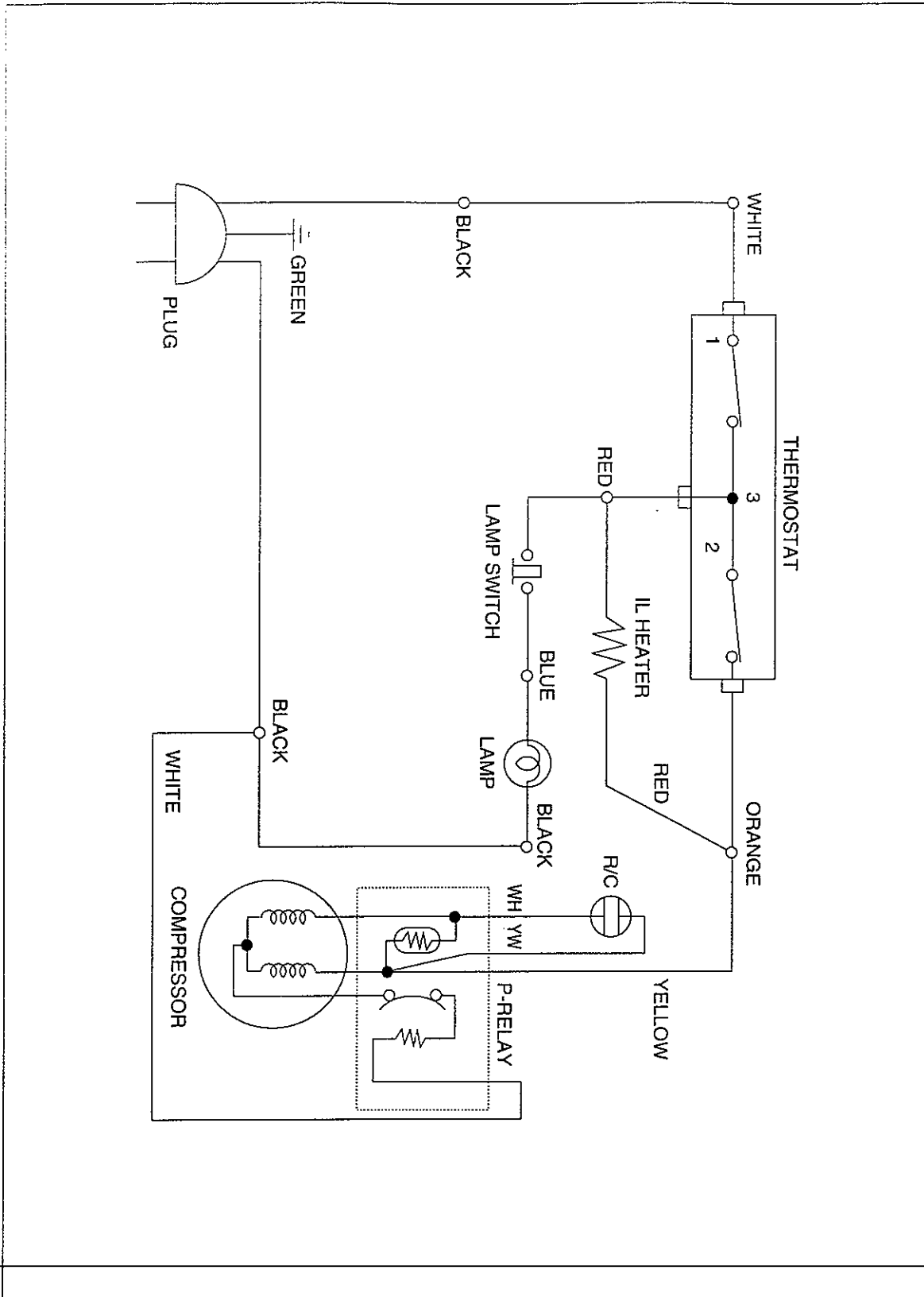
PARTS BREAKDOWN



PARTS LIST

NO.	PART CODE	PART NAME	Q'TY	REMARK
1	PFCU00E015	CABINET URETHANE ASSEMBLY	1	R-141B
2		COMPRESSOR BASE ASSEMBLY		
2-1	3010302601	COMPRESSOR BASE	1	
2-2	3953115EU0	COMPRESSOR	1	
2-3	3018116130	RELAY SWITCH ASSEMBLY	1	R/C:230VAC/10UF
2-4	3816100100	RELAY BAND	1	
2-5	4001E09030	SPECIAL WASHER	4	
2-6	4001E09013	COMPRESSOR ABSORBER	4	
2-7	4001E09021	SPECIAL WASHER	4	
2-8	4006D17101	POWER CORD ASSEMBLY	1	
2-9	3016801421	DRYER	1	
2-10	7112401211	TAPPING SCREW	1	
2-11	7122501211	TAPPING SCREW	2	
2-12	7147501411	TAPPING SCREW	2	
3	PFFT00E025	FREEZER DOOR ASSEMBLY		
3-1	PFFU00E015	FREEZER DOOR URETHANE ASSEMBLY	1	R141B
3-2	3017405000	FREEZER DOOR LINER	1	
3-3	3012302800	FREEZER DOOR GASKET ASSEMBLY	1	
3-4	3019004700	POCKET BAR A	1	
3-5	7112401211	TAPPING SCREW	14	
4	PFRU00E025	REFRIGERATOR DOOR ASSEMBLY		
4-1	PFRU00E015	REFRIGERATOR DOOR URETHANE ASSEMBLY	1	R141B
4-2	3017405110	REFRIGERATOR DOOR LINER	1	
4-3	3012302900	REFRIGERATOR DOOR GASKET ASSEMBLY	1	
4-4	3019012140	POCKET BAR (S)	2	
4-5	3019012110	POCKET BAR (L)	1	
4-6	7112401211	TAPPING SCREW	18	
5	3010508100	CONTROL BOX AS	1	
5-1	3010500800	BOX CONTROL	1	
5-2	4006D70026	KNOB CONTROL	1	
5-3	3018110400	THERMOSTAT	1	
5-4	3011420500	COVER SENSOR	1	
5-5	3013600050	LAMP	1	
5-6	3012703180	SOCKET LAMP AS	1	
5-7	3018100100	SWITCH DOOR AS	1	
5-8	3010700600	BUSHING SENSOR	2	
5-9	7112401411	SCREW TAPPING	1	

WIRING DIAGRAM



➤ INSTRUCCIONES PARA LA CONEXIÓN A TIERRA

Este aparato electrodoméstico debe estar conectado a tierra. En caso de un cortocircuito eléctrico, la conexión a tierra reduce el riesgo de choque eléctrico proporcionando un cable de escape para la corriente eléctrica. Este aparato viene equipado con un cordón que posee un cable a tierra con un enchufe de conexión a tierra. Este enchufe debe estar conectado en un tomacorriente instalado correctamente y conectado a tierra.

➤ ADVERTENCIA

El uso inadecuado del enchufe de conexión a tierra puede resultar en un riesgo de choque eléctrico. Consulte con un electricista si no comprende bien las instrucciones de conexión a tierra o si existe alguna duda sobre si el aparato está conectado a tierra correctamente.

➤ NO USE UN CORDON DE EXTENSION ELECTRICA

Use un tomacorriente de pared exclusivo. No conecte su refrigerador a cordones de prolongación eléctrica o junto a cualquier otro electrodoméstico en el mismo tomacorriente de pared.

➤ ADVERTENCIA IMPORTANTE:

Un refrigerador vacío es una atracción muy peligrosa para los niños. Quite los sellos magnéticos, puertas o cerraduras de todo electrodoméstico que esté en uso.

➤ INSTALACION

Retire los accesorios de empaque (plásticos protectores, cartón y tiras engomadas). Limpie el exterior con un trapo suave y seco, y el interior con un trapo húmedo y tibio.

➤ UBICACION

1. Seleccione un lugar con un piso firme y nivelado.
2. Su refrigerador requiere ventilación. Deje un espacio mínimo de 5" hacia arriba y espacio suficiente en el respaldo para permitir la circulación de aire.
3. Evite luz directa del sol o calor. La luz directa del sol puede afectar la capa de pintura. Las fuentes de calor en su proximidad causarán un consumo mayor de electricidad.
4. Para un mejor desempeño, nivele el refrigerador utilizando las patas ajustables o tornillos niveladores. Para verificar el nivel, abra la puerta hasta la mitad, debe regresar sola.

➤ OPERACION

Para evitar vibraciones, la caja debe estar bien nivelada. Para encender el refrigerador, gire el control de temperatura a la posición que corresponda al enfriamiento deseado. Bajo condiciones normales mueva el control a la posición "MED". De otra manera ajuste la temperatura siguiendo las indicaciones señaladas en el gráfico que sigue.

➤ Posicion "WINTER"

Gire el control de temperatura para la posición "WINTER" cuando se coloque el refrigerador en un lugar mucho más frío que 10 grados centígrados ó 50 grados Fahrenheit. Esto ocasiona que el congelador trabaje adecuadamente.

➤ USO DE LAS CUBETERAS DE HIELO

- Llène la cubetera aproximadamente hasta $\frac{3}{4}$ de la altura después de lavarla.
- La cubetera es flexible, tuérsela para sacar los hielos.
- Si los cubos de hielo no son usados, pueden disminuir de tamaño y adquirir olores.
- Se aconseja cambiarlos cada 30 días si no se han usado.

➤ CUIDADOS EN LOS PERIODOS DE AUSENCIA

- Para cortos periodos de ausencia (menos de 21 días) el congelador podrá quedar funcionando. Coloque el botón de control de temperaturas en la posición mínima.
- En periodos de ausencia más largos, se aconseja dejar el refrigerador limpio y desconectado.
- Retire todo lo que tenga adentro del refrigerador y haga el deshielo y la limpieza general. También retire las cubeteras, limpie bien y séquelas internamente.
- Deje la puerta entreabierta para que penetre el aire y así evitar la formación de olores.

➤ ECONOMIA DE ENERGIA

- Evite dejar por mucho tiempo la puerta abierta.
- Evite aperturas frecuentes de la puerta.
- Nunca coloque alimentos calientes dentro del refrigerador. Espere que estén a una temperatura ambiental.
- Coloque el botón de control de temperaturas en la posición adecuada.

➤ REEMPLAZANDO LA BOMBILLA

Antes de cambiar la bombilla, desconecte el refrigerador de la pared.

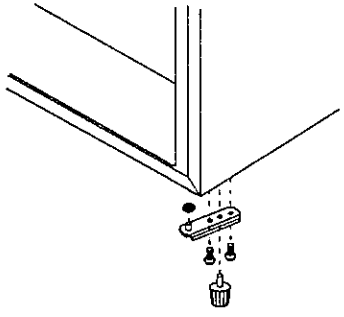
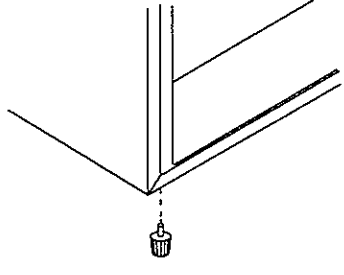
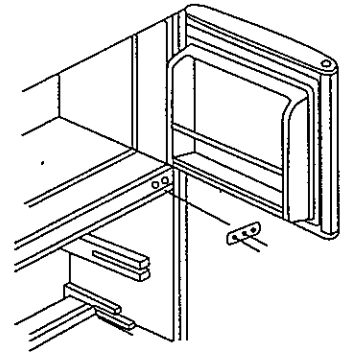
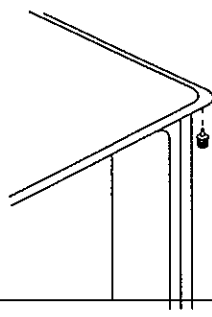
1. Saque el tornillo que agarra la tapa plástica que cubre la lámpara.
2. Quite la bombilla.
3. Reemplace la bombilla con una equivalente de 15 watts.
4. Vuelva a colocar la tapa plástica.

➤ SI USTED SE VA DE VACACIONES

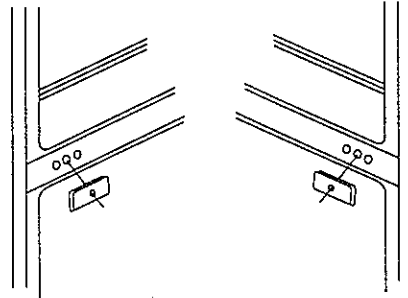
- Saque todos los artículos del refrigerador-congelador si Ud. se va de vacaciones por un mes o más.
- Desconecte el refrigerador del tomacorriente y limpie el refrigerador bien, incluyendo la bandeja del congelador.
- Deje la puerta abierta para evitar la formación de olores, condensación o moho.

➤ SI USTED SE MUDA

- Desconecte el refrigerador del tomacorriente y limpie el refrigerador bien, incluyendo la bandeja del congelador.
- Saque todas las partes movibles y empaquételas para que no se muevan durante la transportación.
- Cierre la puerta del refrigerador y séllela con cinta adhesiva.
- Asegúrese que el refrigerador va parado durante el viaje y cúbralo con una frazada.

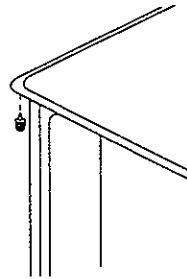
<ol style="list-style-type: none"> 1. Retire la pata agarrada a la bisagra inferior. 2. Retire los 2 tornillos y arandela que agarra la bisagra inferior al gabinete utilizando un destornillador (+). Guarde los tornillos y la arandela para utilizarlos nuevamente. 3. Retire la puerta completa, bajándola hasta sacar el pin central de la parte superior de la puerta y extráigala hacia el exterior. 4. Coloque la puerta en una superficie suave para que no se dañe. 	
<ol style="list-style-type: none"> 5. Retire la otra pata del lado opuesto. 	
<ol style="list-style-type: none"> 6. Retire los 2 tornillos que agarran la bisagra central al gabinete utilizando un destornillador (+). Guarde estos tornillos para utilizarlos nuevamente. 	
<ol style="list-style-type: none"> 7. Baje la puerta del congelador para sacar el tornillo-pin (tapa superior) de la conexión en la parte superior de la puerta y extráigala hacia el exterior. 8. Retire el tornillo-pin de la tapa superior utilizando un destornillador (+). Guarde este tornillo-pin para utilizarlo nuevamente. 	

9. Retire la tapa plástica y transfírela al hueco descubierto en el lado opuesto.



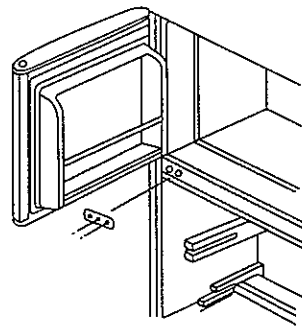
10. Coloque el tornillo-pin retirado en el paso número 8 al lado izquierdo.

11. Encaje la puerta del congelador en el tornillo-pin superior.



12. Aguantando la puerta del congelador en la posición abierta, coloque la bisagra central en el lado izquierdo.

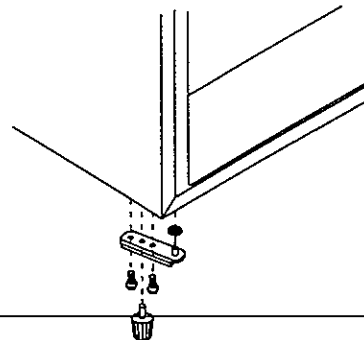
13. Cierre la puerta del congelador asegurándose que está nivelada con la parte superior del refrigerador. Apriete los tornillos que agarran la bisagra central.



14. Coloque la puerta del refrigerador en el pin inferior de la bisagra central y vuelva a colocar la parte inferior de la puerta. Asegúrese que todos los pins están colocados en sus lugares designados. Entonces, coloque la bisagra inferior usando los dos tornillos y la arandela retirados en el paso número 2.

15. Asegúrese que la puerta esté nivelada.

16. Coloque las patas en los huecos que les corresponde.



Free Manuals Download Website

<http://myh66.com>

<http://usermanuals.us>

<http://www.somanuals.com>

<http://www.4manuals.cc>

<http://www.manual-lib.com>

<http://www.404manual.com>

<http://www.luxmanual.com>

<http://aubethermostatmanual.com>

Golf course search by state

<http://golfingnear.com>

Email search by domain

<http://emailbydomain.com>

Auto manuals search

<http://auto.somanuals.com>

TV manuals search

<http://tv.somanuals.com>