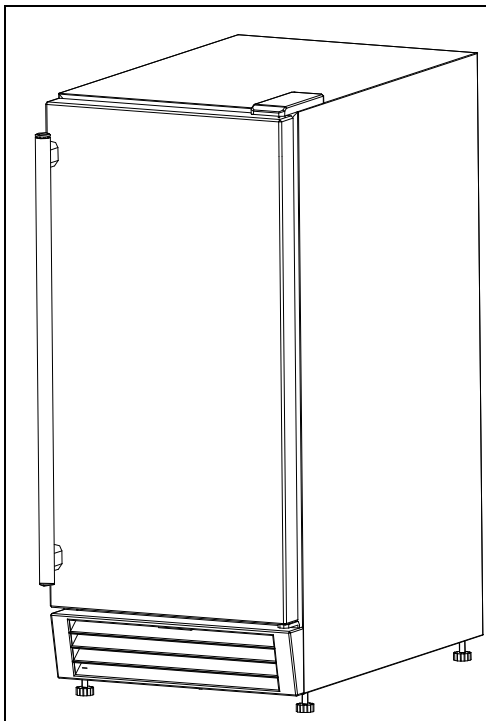


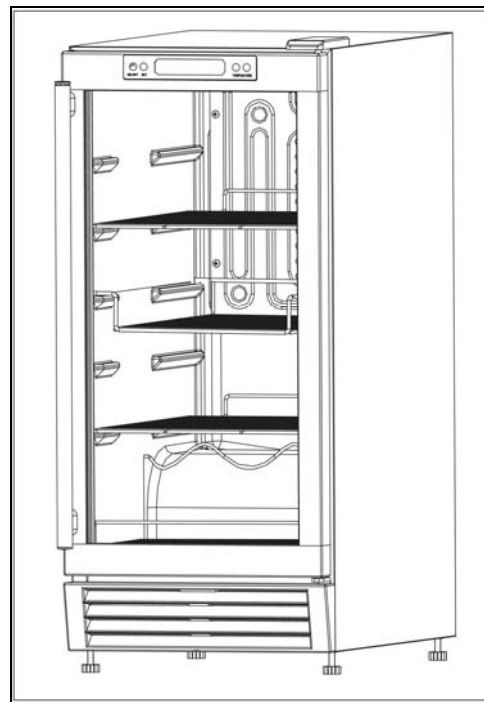


**BUILT-IN REFRIGERATOR / REFRIGERADOR PARA EMPOTRAR  
INSTRUCTION MANUAL  
MANUAL DE INSTRUCCIONES**

**Model Numbers / Nos. de Modelos: OBC32SS / OBC33SSD**



**MODEL: OBC32SS**



**MODEL: OBC33SSD**

**BEFORE USE, PLEASE READ AND FOLLOW ALL SAFETY RULES AND OPERATING INSTRUCTIONS.**

La sección en español empieza en la página 17

Avanti Products has a policy of continuous improvement on its products and reserves the right to change materials and specifications without notice.

---

**Avanti Products, A Division of The Mackle Co., Inc.**  
**P.O. Box 520604 - Miami, Florida 33152**  
**[www.avantiproducts.com](http://www.avantiproducts.com)**

---

## TABLE OF CONTENTS

Appliance Safety	3
Important Safeguides	4
Help Us Help You ...	5
Parts and Features (Model: OBC32SS)	6
Parts and Features (Model: OBC33SSD)	7
Important Safety Instructions	8
Installation Instructions	8
Before Using Your Refrigerator	8
Installation of Your Refrigerator	8
Installing the Leveling Legs or Casters	9
Electrical Connection	10
Extension Cord	10
Surge Protector	10
Operating Your Refrigerator (Model: OBC32SS)	11
Reversing the Door Swing of Your Appliance (Model: OBC32SS ONLY)	11
Operating Your Refrigerator (Model: OBC33SSD)	12 - 13
Care and Maintenance	13
Cleaning Your Refrigerator	13
Power Failure	13
Moving Your Refrigerator	13
Energy Saving Tips	14
Troubleshooting Guide	14
Service for Your Appliance	15
Your Avanti Products Warranty	16
Instrucciones en Español	17 - 26
Registration Information and Registration Card	27

## APPLIANCE SAFETY

**Your safety and the safety of others are very important.**

We have provided many important safety messages in this manual and on your appliance. Always read and obey all safety messages.



This is the Safety Alert Symbol. This symbol alerts you to potential hazards that can kill or injure you and others. All safety messages will follow the Safety Alert Symbol and either the words "DANGER", "WARNING" or "CAUTION".



Danger means that failure to heed this safety statement may result in severe personal injury or death.



Warning means that failure to heed this safety statement may result in extensive product damage, serious personal injury, or death.



Caution means that failure to heed this safety statement may result in minor or moderate personal injury, or property or equipment damage.

All safety messages will alert you do what the potential hazard is, tell you how to reduce the chance of injury, and let you know what can happen if the instructions are not followed.

## IMPORTANT SAFEGUIDES



Before the appliance is used, it must be properly positioned and installed as described in this manual, so read the manual carefully. To reduce the risk of fire, electrical shock or injury when using the appliance, follow basic precaution, including the following:

### **DANGER**

- Plug into a grounded 3-prong outlet, do not remove grounding prong, do not use an adapter, and do not use an extension cord.
- Replace all panels before operating.
- It is recommended that a separate circuit, serving only your appliance be provided. Use receptacles that cannot be turned off by a switch or pull chain.
- Never clean appliance parts with flammable fluids. These fumes can create a fire hazard or explosion. And do not store or use gasoline or other flammable vapors and liquids in the vicinity of this or any other appliance. The fumes can create a fire hazard or explosion.
- Before proceeding with cleaning and maintenance operations, make sure the power line of the unit is disconnected.
- Do not connect or disconnect the electric plug when your hands are wet.
- Unplug the appliance or disconnect power before cleaning or servicing. Failure to do so can result in electrical shock or death.
- Do not attempt to repair or replace any part of your appliance unless it is specifically recommended in this material. All other servicing should be referred to a qualified technician.

### **WARNING**

FOLLOW WARNING CALL OUTS BELOW ONLY WHEN APPLICABLE TO YOUR MODEL

- Use two or more people to move and install appliance. Failure to do so can result in back or other injury.
- To ensure proper ventilation for your appliance, the front of the unit must be completely unobstructed. Choose a well-ventilated area with temperatures above 60°F (16°C) and below 90°F (32°C). This unit must be installed in an area protected from the element, such as wind, rain, water spray or drips.
- The appliance should not be located next to ovens, grills or other sources of high heat.
- The appliance must be installed with all electrical connections in accordance with state and local codes. A standard electrical supply (115 V AC only, 60 Hz), properly grounded in accordance with the National Electrical Code and local codes and ordinances is required.
- Do not kink or pinch the power supply cord of appliance.
- The fuse (or circuit breaker) size should be 15 amperes.
- It is important for the appliance to be leveled in order to work properly. You may need to make several adjustments to level it.
- Never allow children to operate, play with or crawl inside the appliance.
- Do not use solvent-based cleaning agents or abrasives on the interior. These cleaners may damage or discolor the interior.
- Do not use this apparatus for other than its intended purpose.

---

## HELP US HELP YOU...

### Read this guide carefully.

It is intended to help you operate and maintain your new Refrigerator properly.

Keep it handy to answer your questions. If you don't understand something or you need more assistance, please call:

**Avanti Customer Service  
800-220-5570**

Keep proof of original purchase date (such as your sales slip) with this guide to establish the warranty period.

### **CAUTION:**

**THIS REFRIGERATOR IS NOT  
DESIGNED FOR THE STORAGE  
OF MEDICINE OR OTHER  
MEDICAL PRODUCTS.**

### Write down the model and serial numbers.

You'll find them on a plate located on the rear outside wall of the Refrigerator.

Please write these numbers here:

\_\_\_\_\_  
Date of Purchase

\_\_\_\_\_  
Model Number

\_\_\_\_\_  
Serial Number

Use these numbers in any correspondence or service calls concerning your Refrigerator.

If you received a damaged Refrigerator, immediately contact the dealer (or builder) that sold you the Refrigerator.

Save time and money. Before you call for service, check the Troubleshooting Guide. It lists causes of minor operating problems that you can correct yourself.

---

## IF YOU NEED SERVICE

We're proud of our service and want you to be pleased. If for some reason you are not happy with the service you receive, here are some steps to follow for further assistance.

FIRST, contact the people who serviced your Wine Chiller. Explain why you are not pleased. In most cases, this will solve the problem.

NEXT, if you are still not pleased, write all the details, including your telephone number, and send it to:

**Customer Service  
Avanti Products  
10880 NW 30 Street  
Miami, FL 33172 USA**

## PARTS & FEATURES

MODEL: OBC32SS



1	Interior Light
2	Temperature Control
3	Stainless Steel Door
4	Light ON / OFF Switch
5	Front Grille
6	Leveling Legs or Casters
7	Shelves (Total 4)

## PARTS & FEATURES

MODEL: OBC33SSD



1	Temperature Control
2	Stainless Steel Handle
3	Shelves (Total 4)
4	Interior Light
5	Glass Door
6	Leveling Legs or Casters
7	Front Grille

## IMPORTANT SAFETY INSTRUCTIONS

<b>⚡ WARNING ⚡</b>	To reduce the risk of fire, electrical shock, or injury when using your appliance, follow these basic precautions:
<ul style="list-style-type: none"><li>• Read all instructions before using the Refrigerator.</li><li>• <b>DANGER or WARNING:</b> Risk of child entrapment. Child entrapment and suffocation are not problems of the past. Junked or abandoned appliances are still dangerous . . . even if they will “just sit in the garage a few days”.</li><li>• <b>Before you throw away your old Refrigerator:</b> Take off the door. Leave the shelves in place so that children may not easily climb inside.</li><li>• Never allow children to operate, play with, or crawl inside the appliance.</li><li>• Never clean appliance parts with flammable fluids. The fumes can create a fire hazard or explosion.</li><li>• Do not store or use gasoline or any other flammable vapors and liquids in the vicinity of this or any other appliance. The fumes can create a fire hazard or explosion.</li></ul> <p style="text-align: center;">-Save these instructions-</p>	

## INSTALLATION INSTRUCTIONS

### ➤ BEFORE USING YOUR REFRIGERATOR

- Remove the exterior and interior packing.
- Check to be sure you have all of the following parts:
  - 1 Bottom Shelf
  - 3 Flat Shelves
  - 4 Casters
  - 1 wrench for casters installation
  - 1 Hex key for reversible door operation (model OBC32SS only).
  - 1 Instruction Manual
- Before connecting the Refrigerator to the power source, let it stand upright for approximately 24 hours. This will reduce the possibility of a malfunction in the cooling system from handling during transportation.
- Clean the interior surface with lukewarm water using a soft cloth.

### ➤ INSTALLATION OF YOUR REFRIGERATOR

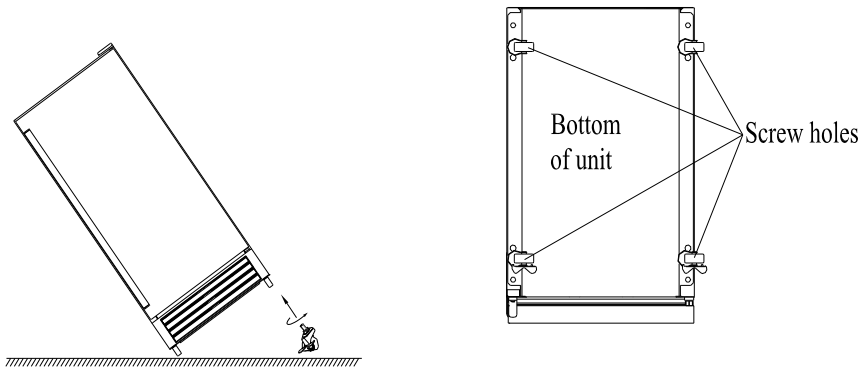
- This appliance is designed to be for free standing installation or built-in (Minimum clearances: ¼” on each side, ½” at the back, and 1” on the top).
- Place your Refrigerator on a floor that is strong enough to support it when it is fully loaded. To level your Refrigerator, adjust the front leveling legs at the bottom of the Refrigerator.
- Locate the Refrigerator away from direct sunlight and sources of heat (stove, heater, radiator, etc.). Direct sunlight may affect the acrylic coating and heat sources may increase electrical consumption. Extreme cold ambient temperatures may also cause the unit not to perform properly.
- Avoid locating the unit in moist areas.
- Plug the Refrigerator into an exclusive, properly installed-grounded wall outlet. Do not under any circumstances cut or remove the third (ground) prong from the power cord. Any questions concerning power and/or grounding should be directed toward a certified electrician or an authorized Avanti Products service center.



➤ **INSTALLING THE LEVELING LEGS OR CASTERS.**

• **TWO OR MORE PEOPLE REQUIRED FOR THIS PROCESS**

- Four casters are included with your refrigerator. They are ideal for rolling the unit from place to place outdoors. If a mobile installation is chosen, you must install the casters.
- a) Tip the unit to the left as shown in the illustration ( $\frac{3}{4}$  foot clearance from the floor to the top of the unit).
- b) Remove the leveling legs, and screw in one of the casters with the foot brake in the front screw hole and one of the casters without the foot brake in the back screw hole.
- c) Tip the unit to the right and repeat the steps above.
- d) The unit should be level at all times, if you need to fix the level, adjust the wheel height by turning it counter-clockwise to increase the height and clockwise to reduce it.
- e) Repeat the steps on all casters until the unit is fully level.



➤ ELECTRICAL CONNECTION

**⚡ Warning ⚡**

Improper use of the grounded plug can result in the risk of electrical shock. If the power cord is damaged, have it replaced by an authorized Avanti Products service center.

This appliance should be properly grounded for your safety. The power cord of this appliance is equipped with a three-prong plug which mates with standard three prong wall outlets to minimize the possibility of electrical shock.

Do not under any circumstances cut or remove the third ground prong from the power cord supplied. For personal safety, this appliance must be properly grounded.

This appliance requires a standard 115/120 Volt AC ~/60Hz electrical ground outlet with three-prong. Have the wall outlet and circuit checked by a qualified electrician to make sure the outlet is properly grounded. When a standard 2-prong wall outlet is encountered, it is your responsibility and obligation to have it replaced with a properly grounded 3-prong wall outlet.

The cord should be secured behind the appliance and not left exposed or dangling to prevent accidental injury.

The appliance should always be plugged into its own individual electrical outlet which has a voltage rating that matches the rating label on the appliance. This provides the best performance and also prevent overloading house wiring circuits that could cause a fire hazard from overheated. Never unplug the appliance by pulling the power cord. Always grip the plug firmly and pull straight out from the receptacle. Repair or replace immediately all power cords that have become frayed or otherwise damaged. Do not use a cord that shows cracks or abrasion damage along its length or at either end. When moving the appliance, be careful not to damage the power cord.

➤ EXTENSION CORD

Because of potential safety hazards under certain conditions, it is strongly recommended that you do not use an extension cord with this appliance. However, if you must use an extension cord it is absolutely necessary that it be a UL/CUL-Listed, 3-wire grounding type appliance extension cord having a grounding type plug and outlet and that the electrical rating of the cord be 115 volts and at least 10 amperes.

➤ SURGE PROTECTOR

Most electrical appliances use a series of electric control boards to operate. These boards are very susceptible to power surges and could be damaged or destroyed.

If the appliance is going to be used in an area or if your city / country is prone to power surges / outages; it is suggested that you use a power surge protector for all electrical devices / appliances you use. The surge protector that you select must have a surge block high enough to protect the appliance it is connected to. If you have any questions regarding the type and size of surge protector needed contact a licensed electrician in your area.

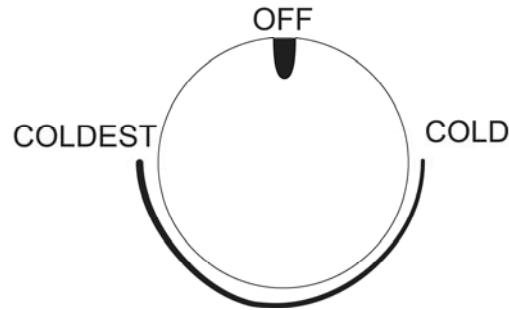
Damages due to power surges are not considered a manufacturer covered defect and will void your product warranty.

➤ REVERSING THE DOOR SWING OF YOUR APPLIANCE (MODEL OBC32SS ONLY)

This appliance has the capability of the door opening from either the left or right side. The unit is delivered to you with the door opening from the left side. Should you desire to reverse the opening direction, please call service for reversal instructions.

## OPERATING YOUR REFRIGERATOR (MODEL OBC32SS)

It is recommended you install the Refrigerator in a place where the ambient temperature is between 50° - 100°F (10° - 38°C ). If the ambient temperature is above or below recommended temperatures, the performance of the unit may be affected. For example, placing your unit in extreme cold or hot conditions may cause interior temperatures to fluctuate. The range of 35° - 50° F (2° - 10° C) may not be reached.



### ➤ SETTING THE TEMPERATURE CONTROL (MODEL OBC32SS – ONLY)

- The unit turns on automatically once plugged in.
- You can set the temperature as you desire by turning the temperature control dial.
- The range of the temperature controls are from position “OFF” to “COLDEST” the coldest. After 24 to 48 hours, adjust the temperature control to the setting that best suits your needs. The mid range between “COLD” and “COLDEST” should be correct for home or office use.

### NOTE:

- If the unit is unplugged, power lost, or turned off you must wait 3 to 5 minutes before restarting the unit. If you attempt to restart before this time delay, the Refrigerator will not start.

### ➤ INTERIOR LIGHT (MODEL OBC32SS ONLY)

The interior light will be turned ON every time the door is opened and OFF once the door is closed.

### ➤ REVERSING THE OPENING SWING OF YOUR BEVERAGE COOLER (MODEL OBC32SS – ONLY)

This appliance has the capability of the door opening from either the left or right side. The unit is delivered to you with the door opening from the left side. Should you desire to reverse the opening direction, please call service for reversal instructions.

## OPERATING YOUR REFRIGERATOR (MODEL OBC33SSD)

### IMPORTANT SAFEGUARDS

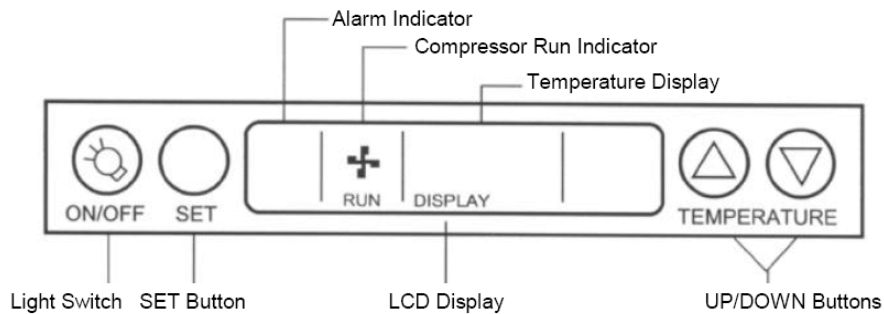
As a natural result of condensation, in summer months or areas of high humidity, the glass door may build up moisture on the outside. Just wipe it away.

It is recommended you install the Refrigerator in a place where the ambient temperature is between 50°F - 100°F (10° - 38°C). If the ambient temperature is above or below recommended temperatures, the performance of the unit may be affected. For example, placing your unit in extreme cold or hot conditions may cause interior temperatures to fluctuate. The range of 36° - 64° F (2° - 18° C) may not be reached.

#### ➤ **CONTROL PANEL (MODEL OBC33SSD – ONLY)**

The unit turns on automatically once plugged in.

Your beverage center is equipped with an electronic display that once any button is pressed the display window will light on and will automatically light off two (2) minutes after the last button was pressed.



CONTROL PANEL FEATURES / DESCRIPTIONS	
Alarm Indicator	Alarm mode: In the event there is a fault in the unit, an Alarm indicator will appear in the area shown above on the control panel. If at any time the following messages are shown in the display window, consult an Avanti Products Authorized Service Center. <ul style="list-style-type: none"> <li>• PROBE ERROR</li> <li>• LOW TEMP</li> <li>• HIGH TEMP</li> </ul>
Compressor Run Indicator	When the unit's compressor is running, the control panel will display a moving "FAN" icon. Once the compressor stops running the icon will also stop moving.
Temperature Display	The set temperature and current average temperature of the unit will be displayed in this area as shown above.
SET Button	Use this button to activate the temperature setting mode and again to confirm the selected temperature setting.
Temperature UP / DOWN	Use these buttons to select the appropriate temperature. Temperature setting will either advance or decrease each time you press the respective button.
Light Switch	The interior light can be operated manually by pressing the ON/OFF button on the control panel. The light will automatically turn itself OFF after 5 minutes.  NOTE: Avoid extended use of the light as the heat generated by the light bulb can raise the interior temperature of the unit and affect the temperature of the items stored.

### **SETTING THE TEMPERATURE CONTROL (MODEL OBC33SSD – ONLY)**

- The temperature range for your Beverage Center is 36° - 64°F (2°-18°C).
- The default temperature set at the factory is 41°F (5°C). Once the unit is plugged in, the default temperature will be displayed in the digital display window.
- To adjust the temperature, press the SET button, then use the UP or DOWN buttons to select the preferred temperature. When the selected temperature is shown in the display window of the control panel, press the SET button to confirm the setting.
- Once the temperature selection has been confirmed, the actual current temperature of the unit will be shown in the DISPLAY window on the control panel. The temperature shown will vary depending on the amount of items stored and how frequently the door is opened.
- In the event of a power outage, your unit is designed to remember the temperature setting and will automatically return to that setting after the power has returned.

#### **NOTE:**

- The temperature sensor monitors the average temperature of the unit. Cold air falls and warm air rises, thus there will be a variation in temperature from the bottom to the top of the unit. The bottom area of the unit will always be slightly cooler than the top area.
- The temperature displayed in the control panel is an instantaneous average temperature of the unit and there may be a variation of approximately 0 – 6°F.
- If the unit is unplugged, power lost, or turned off you must wait three (3) minutes before restarting the unit. If you attempt to restart before this time delay, the refrigerator will not start.

#### ➤ **INTERIOR LIGHT**

The interior light can be operated manually by pressing the Light ON / OFF button on the control panel. The light will automatically turn itself OFF after 5 minutes.

#### **NOTE:**

Avoid extended use of the light as the heat generated by the light bulb can raise the interior temperature of the unit and affect the temperature of the items stored.

You can switch temperature display setting from Fahrenheit to Celsius degree by pushing the UP button and hold for 10 seconds. Fahrenheit or Celsius degrees will appear in the temperature display window .

## **CARE AND MAINTENANCE**

#### ➤ **CLEANING YOUR REFRIGERATOR**

- Turn off the power, unplug the appliance, and remove all items including shelves.
- Wash the inside surfaces with a warm water and baking soda solution. The solution should be about 2 tablespoons of baking soda to a quart of water.
- Wash the shelves with a mild detergent solution.
- Wring excess water out of the sponge or cloth when cleaning area of the controls, or any electrical parts.
- Wash the outside cabinet with warm water and mild liquid detergent. Rinse well and wipe dry with a clean soft cloth.
- Do not use steel wool or steel brush on the stainless steel. These will contaminate the stainless steel with steel particles and rusting may occur.

#### ➤ **POWER FAILURE**

- Most power failures are corrected within a few hours and should not affect the temperature of your appliance if you minimize the number of times the door is opened. If the power is going to be off for a longer period of time, you need to take the proper steps to protect your contents.

➤ **MOVING YOUR REFRIGERATOR**

- Remove all items.
- Securely tape down all loose items (shelves) inside your appliance.
- Turn the adjustable leg up to the base to avoid damage.
- Tape the door shut.
- Be sure the appliance stays secure in the upright position during transportation. Also protect outside of appliance with a blanket, or similar item.

➤ **ENERGY SAVING TIPS**

- Do not place the unit next to a heat source (heating vent, range, fireplace, direct sunlight, etc).
- Keep the door closed as much as possible, especially in hot, humid weather.
- Cover foods to reduce moisture build-up inside the appliance.

## **PROBLEMS WITH YOUR REFRIGERATOR?**

You can solve many common Refrigerator problems easily, saving you the cost of a possible service call. Try the suggestions below to see if you can solve the problem before calling the servicer.

### **TROUBLESHOOTING GUIDE**

<b>PROBLEM</b>	<b>POSSIBLE CAUSE</b>
Refrigerator does not operate.	Not plugged in. The appliance is turned off. The circuit breaker tripped or a blown fuse.
Refrigerator is not cold enough.	Check the temperature control setting. External environment may require a higher setting. The door is opened too often. The door is not closed completely. The door gasket does not seal properly.
Turns on and off frequently.	The room temperature is hotter than normal. A large amount of contents has been added to the Refrigerator. The door is opened too often. The door is not closed completely. The temperature control is not set correctly. The door gasket does not seal properly.
The light does not work.	Not plugged in. The circuit breaker tripped or a blown fuse. The light bulb is burned out.
Vibrations.	Check to assure that the Refrigerator is level.
The Refrigerator seems to make too much noise.	The rattling noise may come from the flow of the refrigerant, which is normal. As each cycle ends, you may hear gurgling sounds caused by the flow of refrigerant in your Refrigerator. Contraction and expansion of the inside walls may cause popping and crackling noises. The Refrigerator is not level.

The door will not close properly.

The Refrigerator is not level.  
The door was reversed and not properly installed.  
The gasket is dirty.  
The shelves are out of position.

## SERVICE FOR YOUR REFRIGERATOR

We are proud of our customer service organization and the network of professional service technicians that provide service on your Avanti appliances. With the purchase of your Avanti appliance, you can have the confidence that if you ever need additional information or assistance, the Avanti Products Customer Service team will be here for you. Just call us toll-free.

### AVANTI PRODUCTS CUSTOMER SERVICES

Product Information 800-323-5029	Whatever your questions are about our products, help is available.
Part Orders 800-220-5570	You may order parts and accessories that will be delivered directly to your home by personal check, money order, Master Card, or Visa.
In-Home Repair Service 800-220-5570	An Avanti Products authorized service center will provide expert repair service, scheduled at a time that is convenient for you. Our trained servicers know your appliance inside and out.



**YOUR Avanti Products WARRANTY**

**Staple your sales receipt here. Proof of original purchase date is needed to obtain service under warranty.**

### **WHAT IS COVERED**

#### **LIMITED ONE-YEAR WARRANTY**

For one year from the date of purchase by the original owner, Avanti Products will, at its option, repair or replace any part of the unit, which proves to be defective in material or workmanship under normal use. During this period Avanti Products will provide all parts and labor necessary to correct such defects free of charge, so long as the unit has been installed and operated in accordance with the written instructions in this manual. Avanti Products will provide you with a reasonably similar replacement product that is either new or factory refurbished. In rental or commercial use, the warranty period is 90 days. All Avanti Appliances of 3.5 cubic feet capacity or less must be brought/sent to the appliance service shop for repair.

#### **LIMITED SECOND THROUGH FIFTH YEAR WARRANTY**

For the second through the fifth year from date of original purchase, Avanti Products will provide a replacement compressor free of charge due to a failure. You are responsible for the service labor and freight charges. In rental or commercial use, the limited compressor warranty is one year and nine months. Cost to move the appliance to the servicers' shop and back to the user's home, as may be required, are the user's responsibility.

---

### **WHAT IS NOT COVERED**

- Content losses of food or other, due to spoilage.
- Incidental or consequential damages.
- Parts and labor costs for the following will not be considered as warranty:
  - Door springs, and/or frames.
  - Inner door panels, door rails and/or door supports.
  - Light bulbs and/or plastic housing.
  - Plastic cabinet liners.
  - Punctured evaporator that voids the warranty on the complete sealed system.
  - Repairs performed by unauthorized servicers.
  - Shipping and handling costs associated with the replacement of the unit.
- Service calls that do not involve defects in material or workmanship such as customer education, door reversal, or proper installation.
- Surcharges including, but not limited to, any after hour, weekend, or holiday service calls, tolls, ferry trip charges, or mileage expense for service call to remote areas, including the State of Alaska.
- Service calls that are related to external problems, such as abuse, misuse, inadequate electrical power, accidents, fire, floods, or acts of God.
- Replacement of house fuses or resetting circuit breakers.
- Failure of the product if it is used for other than its intended purpose.
- This warranty does not apply outside the Continental USA.

## INSTRUCCIONES EN ESPAÑOL

<b>PRECAUCIÓN</b>	Para reducir el riesgo de incendio, descarga eléctrica, o daño cuando use su electrodoméstico, siga las siguientes precauciones.
<ul style="list-style-type: none"> <li>Lea todas las instrucciones antes de usar su electrodoméstico.</li> <li>Peligro o Precaución: Existe el riesgo que los niños queden atrapados.</li> <li>Niños atrapados no son un problema del pasado. Los electrodomésticos son peligrosos aún si solo los deja en el garaje por un par de días.</li> <li>Antes de desechar su electrodoméstico o refrigerador usado: quítele las puertas. Deje las repisas en su lugar para evitar que los niños se queden atrapados.</li> <li>No permita que los niños manejen, jueguen o entren dentro del electrodoméstico.</li> <li>No limpie su electrodoméstico con líquidos inflamables. Los gases pueden ocasionar fuego o una explosión.</li> <li>No guarde ni use gasolina u otros líquidos inflamables cerca de este o de cualquier otro electrodoméstico. Los vapores pueden ocasionar fuego o explosión.</li> </ul> <p style="text-align: center;">- Guarde estas instrucciones-</p>	

## INSTRUCCIONES PARA LA INSTALACIÓN

### **ANTES DE INSTALAR SU ELECTRODOMESTICO**

- Retire la envoltura interna y externa.
- Verifique que tenga las siguientes partes:

1	Manual de Instrucciones	3	Repisas Superiores	1	Repisa Inferior
1	Llave Inglesa (Para instalar las ruedas)	1	Llave tipo Allen (Para reversar la puerta) (Modelo: OBC32SS Solamente)		

- Antes de conectar su electrodoméstico a la corriente eléctrica, ubíquelo en posición vertical sobre una superficie plana por lo menos por 2 horas. Esto reducirá la posibilidad de malfuncionamiento en el sistema de enfriamiento por el manipuleo durante el transporte.
- Limpie la superficie interior con agua tibia usando un trapo suave.

### **INSTALACION DE SU ELECTRODOMESTICO**

Retire el embalaje exterior e interior. Use un trapo suave y seco para limpiar el exterior del refrigerador completamente. Use un trapo limpio remojado en agua tibia para limpiar el interior del refrigerador.

El air debe circular libremente frente al refrigerador. Evite colocarlos cerca de cualquier fuente de calor o humedad, o directamente a la luz solar. La luz solar directa podría afectar el acabado, y las fuentes de calor cercanas elevarán el consumo eléctrico.

Su refrigerador ha sido diseñado para ser usado independientemente o empotrado. Tiene ventiladores motorizados en la parte trasera de la unidad que dirigen el calor generado por el compresor hacia fuera y a través del frente de la unidad.

Si la unidad está empotrada, deje un espacio de ¼" en cada lado, ½" en la parte trasera, y 1" en la parte superior.

NOTA: La unidad puede ser usada independientemente con las patas niveladoras o las ruedas de pivotar

## PARTES Y CARACTERISTICAS

MODELO: OBC32SS



1	Luz Interior
2	Control de Temperatura
3	Puerta de Acero Inoxidable
4	Interruptor de Luz Interior
5	Parilla Delantera
6	Patas Niveladoras o Ruedas
7	Repisas (Total 4)

## PARTES Y CARACTERISTICAS

MODELO: OBC33SSD

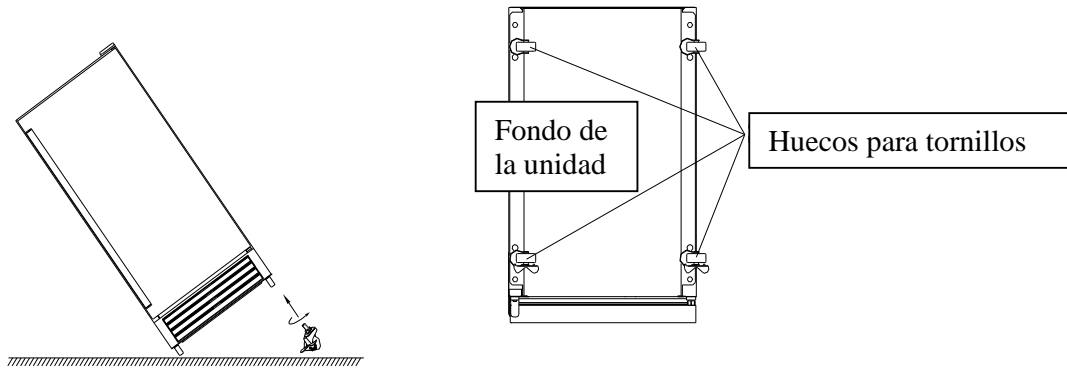


1	Control de Temperatura
2	Manija de Acero Inoxidable
3	Repisas (Total 4)
4	Luz Interior
5	Puerta de Cristal
6	Patas Niveladoras o Ruedas
7	Parilla Delantera

➤ **INSTALACION DE LAS PATAS NIVELADORAS O RUEDAS DE PIVOTE**

**SE RECOMIENDA QUE SE HACE ENTRE DOS O MAS PERSONAS.**

Su refrigerador viene equipada con 4 patas niveladoras. Incluido también con el refrigerador son cuatro (4) ruedas de pivote. Son ideales para rodar la unidad de un lugar a otro en el exterior. Si se escoge una instalación móvil, debe instalar las ruedas de pivote.



- 1) Incline la unidad a la derecha de modo que quede un espacio de  $\frac{3}{4}$  de pie a la izquierda de la unidad. Pídale a alguien que le ayude a inclinar la unidad, para evitar que se caiga sobre usted mientras instala las ruedas o las patas.
- 2) Retire las patas niveladoras, y atornille una de las ruedas de pivote que tiene cierre, en el agujero frontal y luego atornille una de las ruedas de pivote que no tiene cierre, en el agujero trasero. Guarde las patas niveladoras en un lugar seguro donde pueden ser ubicados nuevamente si es necesario.
- 3) Repita los dos pasos previos con excepción de que ahora inclinará la unidad a la izquierda para atornillar las dos ruedas restantes.
- 4) Las ruedas están instaladas.
- 5) La unidad debe estar nivelada. Si las condiciones del piso no permiten que la unidad esté nivelada, ajuste la rueda girándola en sentido anti-horario para aumentar la altura y en sentido horario para reducir la altura.

El procedimiento anterior puede usarse si se instala las patas o las ruedas.

## Conexión Eléctrica

### ⚡ ADVERTENCIA ⚡

EL USO INAPROPIADO DEL ENCHUFE A TIERRA PUEDE OCASIONAR RIESGO DE UN CHOQUE ELECTRICO. SI EL CORDON SE DAÑASE, LLEVELO A UN CENTRO DE SERVICIO AUTORIZADO POR AVANTI PRODUCTS PARA QUE SE REEMPLACE.

- Para su seguridad, la electrodoméstica debe estar apropiadamente conectada a tierra. El cordón eléctrico de su refrigerador está equipado con un enchufe de tres puntas, el cual encaja perfectamente en los receptáculos/enchufes de pared de tres puntas estándar, para minimizar la posibilidad de un choque eléctrico.
- Bajo ninguna circunstancia corte o retire la tercera punta (cable a tierra) del enchufe del cordón eléctrico.
- Nunca use un cable de extensión para conectar la unidad a la electricidad.
- Nunca use un adaptado con enchufe de solo 2 puntas.
- Si solo puede conectar la unidad a un receptáculo/enchufe de pared de 2 puntas, comuníquese con un electricista calificado para que reemplace ese receptáculo/enchufe de pared por uno de 3 puntas, de acuerdo con los códigos de electricidad aplicables.
- Esta máquina de hacer hielo requiere un receptáculo/enchufe de pared de tres puntas estándar de 115/120 voltios ac.~/60hz.
- Para prevenir cualquier daño físico o lesión, el cordón debe ser asegurado detrás de la unidad y no estar expuesto o colgando.

### Cable de Extensión

Debido al posible riesgo de seguridad causado bajo ciertas circunstancias, se recomienda firmemente que no use un cable de extensión para este electrodoméstico. Sin embargo, si no tiene otra opción mas que usar un cable de extensión, asegúrese que este sea un cable de extensión para electrodomésticos que este listado bajo UL/CUL, que tenga enchufe y receptáculo para enchufe de tres puntas (cable a tierra) y que la capacidad del cordón eléctrico sea de 115 voltios y no menos de 10 amperios.

### Protector contra variaciones de corriente eléctrica (Surge Protector).

La mayoría de electrodomésticos utilizan una series de paneles de control para operar. Estos paneles son muy susceptibles a las variaciones de corriente eléctrica, las cuales causan que estos se dañen o destruyen.

Si vive en un área o ciudad done hay muchas variaciones de corriente o apagones, se recomienda que utilice un protector contra variaciones de corriente para todos los electrodomésticos y aparatos eléctricos. El protector que elija debe bloquear una variación de electricidad alta para poder proteger el electrodoméstico al cual está conectado. Por favor contáctese con un electricista licenciado en su área si tuviera preguntas en referencia al tipo y tamaño de protector que necesita.

Daños debido a variaciones de electricidad no se consideran un defecto del fabricante y podrían anular la garantía.

### COMO CAMBIAR LA DIRECCION DE APERTURA DE LA PUERTA (MODELO OBC32SS SOLAMENTE)

En caso de que necesite cambiar el lado de apertura de la puerta, por favor consulte al servicio pos-venta de su localidad.

## COMO MANEJAR SU REFRIGERADOR (MODELO OBC32SS)

Se recomienda que Ud coloque su refrigerador en un lugar donde la temperatura ambiental se mantenga entre 50° - 100°F (10° - 38°C)..

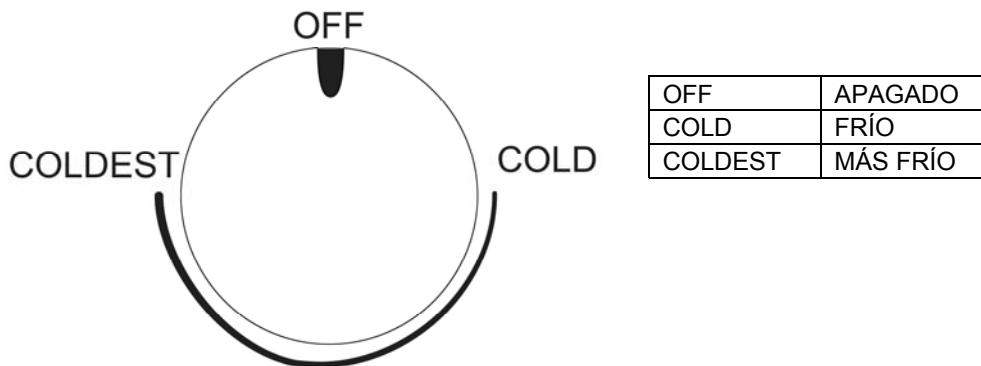
Si la temperatura ambiental es mayor o menor que la temperatura recomendada, el funcionamiento de la unidad podría ser afectado. Por ejemplo, si mantiene la unidad en condiciones de calor o frío extremo, puede ocasionar que la temperatura interna fluctúe y que no se alcance el rango de 35° - 50°F (2° - 10°C).

Su refrigerador ha sido diseñado con un rango de temperatura de 35° - 50°F (2° - 10°C).

**IMPORTANTE:** No enchufe el refrigerador hasta que hayan pasado 24 horas de instalar la unidad en su lugar. No seguir este consejo podría dar como resultado que la unidad funcione inadecuadamente.

El refrigerador tiene un botón giratorio de control de temperatura (termostato) dentro de la unidad que está marcado con las configuraciones.

Con el fin de aumentar el enfriamiento. Adicionalmente, esta unidad emplea un calentador dentro del gabinete y está diseñada para ser usada al aire libre.



### ➤ **AJUSTAR LA TEMPERATURA (MODELO: OBC32SS – SOLAMENTE)**

- El refrigerador se enciende automáticamente cuando se le conecta.
- Inicialmente fije el control de temperatura al punto medio entre las posiciones “COLD” (FRÍO) y “COLDEST” (MAS FRÍO). El compresor funcionará continuamente unas pocas horas hasta que la temperatura del interior de la unidad se estabilice. Cuando la unidad se estabilice, el compresor funcionará normalmente.
- Cuando la unidad está conectada por primera vez, se recomienda que no ponga ningún comestible adentro hasta que la temperatura de la unidad se estabilice.
- Cuando la temperatura de la unidad se estabilice, ajuste el termostato en sentido horario entre las posiciones “COLD” (FRÍO) y “COLDEST” (MAS FRÍO).
- Ajuste la posición del control a la temperatura adecuada para su uso.

**NOTE:**

- Si la temperatura ambiental está sobre 40°F (5°C), gire el control de temperatura en sentido horario a la posición apropiadamente entre “COLD” y “COLDEST” para enfriar los alimentos.
- Si la temperatura ambiental está debajo de los 25°F (-4°C), no use la unidad para almacenar alimentos / comestibles.
- Si usted desenchufa el refrigerador o se corta el suministro eléctrico, deje que pasen un mínimo de 8 minutos antes de volver a encender o enchufar la unidad. La unidad no funcionará adecuadamente antes de un mínimo de 8 minutos.

➤ **LUZ INTERIOR**

Su refrigerador está equipada con una luz interna para que usted pueda ver fácilmente el contenido de su refrigerador. Cuando la puerta está abierta, la luz se encenderá y cuando está cerrada, la luz se apagará.

**COMO MANEJAR SU REFRIGERADOR (MODELO: OBC33SSD)**

**PRECAUCIONES IMPORTANTES**

La parte externa de la puerta de vidrio puede mostrar signos de humedad durante los meses de verano o en áreas de alta humedad, esto es el resultado natural de la condensación.

Se recomienda que Ud coloque su refrigerador en un lugar donde la temperatura ambiental se mantenga entre 50° - 100°F (10° - 38°C).

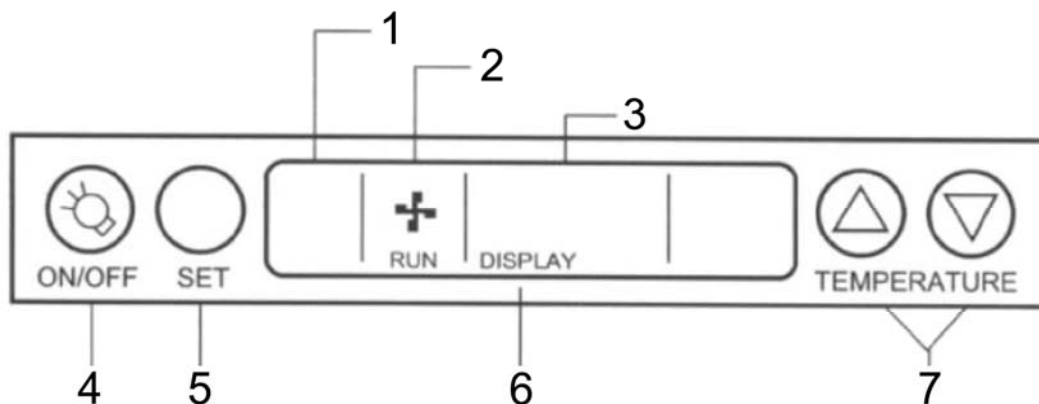
Si la temperatura ambiental es mayor o menor que la temperatura recomendada, el funcionamiento de la unidad podría ser afectado. Por ejemplo, si mantiene la unidad en condiciones de calor o frío extremo, puede ocasionar que la temperatura interna fluctúe y que no se alcance el rango de 36° - 64°F (2° - 18°C).

Su refrigerador ha sido diseñado con un rango de temperatura de 34° - 43°F (1° - 6°C).

**IMPORTANTE:** No enchufe el refrigerador hasta que hayan pasado 24 horas de instalar la unidad en su lugar. No seguir este consejo podría dar como resultado que la unidad funcione inadecuadamente.

➤ **PANEL DE CONTROLES (MODELO: OBC33SSD – SOLAMENTE)**

Su refrigerador está equipado con una pantalla electrónica, con cual se configura y monitorea la temperatura de su refrigerador. La pantalla electrónica alumbrará en cuanto se oprima cualquier botón y apagará automáticamente dos minutos después.





<b>CARACTERISTICAS – PANEL DE CONTROLES</b>	
<b>1</b> Indicador de ALARMA	<p>En caso haya una falla en la unidad, una indicación de ALARMA aparecerá en la pantalla.</p> <ul style="list-style-type: none"> <li>• En el modo ALARMA; la unidad hará un sonido de BEEP y mostrará un mensaje de alarma.</li> <li>• Si cualquiera de los siguientes mensajes está mostrado en la pantalla electrónica consulte la sección de Problemas de su refrigerador con un técnico autorizado por Avanti Products:  <b>PROBE ERROR: (ERROR DE DETECCION)</b>  <b>LOW TEMP: (TEMPERATURA BAJA)</b>  <b>HIGH TEMP: (TEMPERATURA ALTA)</b></li> </ul>
<b>2</b> Indicador de función del compresor	<p>Cuando el compresor de la unidad esté funcionando, el tablero de control mostrará un icono en movimiento representando un ventilador en funcionamiento. Cuando el compresor no está funcionando el icono también detendrá.</p>
<b>3</b> Indicador de temperatura	<p>Ambas temperaturas (la corriente y la configurada) serán mostradas en la pantalla electrónica.</p>
<b>4</b> Interruptor de Luz	<p>La luz interior se opera manualmente presionando el botón en el panel de controles. La luz se apagará automáticamente después de 5 minutos.</p>
<b>5</b> Botón de configuración	<p>Presione este botón para configurar la temperatura a su gusto.</p>
<b>6</b> Pantalla electrónica	<p>La pantalla electrónica muestra todas las condiciones corrientes de su refrigerador.</p>
<b>7</b> Botones para configurar la temperatura	<p>Para configurar la temperatura a su gusto, presione el botón apropiado (▲) o (▼). La temperatura mostrada aumentará o bajará por un grado cada vez que presione el botón respectivo.</p>

#### **AJUSTAR LA TEMPERATURA (MODELO: OBC33SSD – SOLAMENTE)**

- El rango de la temperatura de su refrigerador es 36° - 64°F (2°-18°C).
- La temperatura pre-programada por la factoría es 41°F (5°C).
- Para ajustar la temperatura, presione el botón “SET”, luego use los botones (▲) o (▼) para graduar a la temperatura preferida. Cuando la temperatura correcta esta mostrada en la pantalla electrónica, presione el botón “SET” otra vez para confirmar la configuración.
- En cuanto la configuración está confirmada, la temperatura actual del interior de la unidad estará mostrada en la pantalla electrónica. La temperatura actual de la unidad variará dependiendo del contenido almacenado en su refrigerador y la frecuencia que se abre la puerta.
- Su refrigerador ha sido diseñado para “recordar” la última temperatura configurada. Si hay un apagón o cualquier corte del suministro eléctrico, la unidad automáticamente regresará a la configuración de temperatura anterior cuando vuelva la electricidad.

#### **NOTA:**

- El sensor de temperatura registra la temperatura promedio de la unidad. El aire frío cae y el aire tibio se eleva, y habrá una variación de la temperatura desde la parte más baja hasta la parte más alta de la unidad. La temperatura en la parte baja de la unidad siempre será un poco más fría.
- La temperatura mostrada en la pantalla electrónica es la temperatura promedio instantánea de la unidad y podría haber una variación de aproximadamente 0 a 6 grados
- Si usted desenchufa el refrigerador o se corta el suministro eléctrico, deje que pasen un mínimo de 8 minutos antes de volver a encender o enchufar la unidad. La unidad no funcionará adecuadamente antes de un mínimo de 8 minutos.

**NOTA:**

- Si la temperatura ambiental está sobre 40°F (5°C), gire el control de temperatura en sentido horario a la posición apropiadamente entre “COLD” y “COLDEST” para enfriar los alimentos.
- Si la temperatura ambiental está debajo de los 25°F (-4°C), no use la unidad para almacenar alimentos / comestibles.
- Si usted desenchufa el refrigerador o se corta el suministro eléctrico, deje que pasen un mínimo de 8 minutos antes de volver a encender o enchufar la unidad. La unidad no funcionará adecuadamente antes de un mínimo de 8 minutos.

**> LUZ INTERIOR**

La luz interior se opera manualmente presionando el botón en el panel de controles. La luz se apagará automáticamente después de 5 minutos.

**NOTA:**

Evite el uso extendido de la luz interior pues el calor generado puede elevar la temperatura de los contenidos almacenados.

Ud puede cambiar de grados Centígrados a Fahrenheit o viceversa, oprimiendo el botón marcado “UP” y aguatándolo por 10 segundos . En la pantalla digital aparecerán los grados Fahrenheit o Centígrados.

**CUIDADO Y MANTENIMIENTO****Limpieza**

Para limpiar el interior, use un paño suave con una solución de una cucharada de bicarbonato de sodio por cada cuarto de agua, o una solución de espuma de jabón suave, o un detergente suave. Para lavar las rejillas, sáquelas deslizándolas con cuidado, y use una solución de detergente suave; luego séquelas con un paño suave. Limpie el exterior con un paño húmedo suave y un poco de detergente suave o productos de limpieza para electrodomésticos.

**Corte de corriente**

La mayoría de los cortes de corriente se corrigen en una o dos horas y no afectarán las temperaturas de su vinera. Sin embargo, Ud. deberá reducir la cantidad de veces que abra la puerta cuando la corriente esté apagada.

**Si Ud. se muda**

Saque o asegure todos los artículos dentro de su vinera. Para evitar que los tornillos nivelantes se averíen, gírelos completamente hacia la base.

**PROBLEMAS CON SU REFRIGERADOR**

Error mostrado en la pantalla	Descripción
<p>“PROBE ERROR” (ERROR DE DETECCION)</p>	<p>Este mensaje es una indicación que el sensor del termostato ha funcionado mal.</p> <p>Pónganse en contacto con el departamento de servicio autorizado para que le reemplacen el sensor</p>
<p>“LOW TEMP” (TEMPERATURA BAJA)</p>	<p>Este mensaje es una indicación que la temperatura actual es más baja que la temperatura configurada.</p>
<p>“HIGH TEMP” (TEMPERATURA ALTA)</p>	<p>Este mensaje es una indicación que la temperatura actual es mayor a la temperatura configurada.</p> <p>Causas posibles son:</p> <ul style="list-style-type: none"> <li>• La puerta no está totalmente cerrada</li> <li>• El refrigerante podría haber goteado</li> <li>• La calentadora no puede estar funcionando apropiadamente y debe ser reemplazada.</li> </ul> <p>Si tiene certeza de que la puerta no es la causa del problema, pónganse en contacto inmediatamente con el departamento de servicio.</p>

## REGISTRATION INFORMATION

Thank you for purchasing this fine Avanti products. Please fill out this form and return it within 100 days of purchase and receive these important benefits to the following address:

**Avanti Products, A Division of The Mackle Co., Inc.  
P.O. Box 520604 - Miami, Florida 33152 USA**

➤ **Protect your product:**

We will keep the model number and date of purchase of your new Avanti Products product on file to help you refer to this information in the event of an insurance claim such as fire or theft.

➤ **Promote better products:**

We value your input. Your responses will help us develop products designed to best meet your future needs.

------(detach here)-----

### Avanti Registration Form

\_\_\_\_\_  
Name

\_\_\_\_\_  
Model #                      Serial #

\_\_\_\_\_  
Address

\_\_\_\_\_  
Date Purchased              Store/Dealer Name

\_\_\_\_\_  
City                      State                      Zip

\_\_\_\_\_  
Occupation

\_\_\_\_\_  
Area Code              Phone Number

**As Your Primary Residence, Do You:**

Own                       Rent

**Did You Purchase An Additional Warranty:**

Extended               Food Loss               None

**Reason For Choosing This Avanti Product:**

Please indicate the most important factors that influenced your decision to purchase this product.

- Price  
 Product Features  
 Avanti Products Reputation  
 Product Quality  
 Salesperson Recommendation  
 Friend/Relative Recommendation  
 Warranty  
 Other \_\_\_\_\_

**Your Age:**

under 18     18-25     26-30  
 31-35     36-50     over 50

**Marital Status:**

Married               Single

**Is This Product Used In The:**

Home               Business

**How Did You Learn About This Product:**

Advertising  
 In Store Demo               Personal Demo  
 Other \_\_\_\_\_

Comments \_\_\_\_\_  
\_\_\_\_\_  
\_\_\_\_\_

**PRINTED IN CHINA**

## Free Manuals Download Website

<http://myh66.com>

<http://usermanuals.us>

<http://www.somanuals.com>

<http://www.4manuals.cc>

<http://www.manual-lib.com>

<http://www.404manual.com>

<http://www.luxmanual.com>

<http://aubethermostatmanual.com>

Golf course search by state

<http://golfingnear.com>

Email search by domain

<http://emailbydomain.com>

Auto manuals search

<http://auto.somanuals.com>

TV manuals search

<http://tv.somanuals.com>