



**INSTRUCTION MANUAL**

**Model Number:**

**WD31**

**CAUTION:**

**BEFORE USE, PLEASE READ AND FOLLOW ALL SAFETY RULES AND OPERATING INSTRUCTIONS.**

*Avanti has a policy of continuous improvement on its products and reserves the right to change materials and specifications without notice.*

---

**Avanti Products**  
**P.O. Box 520604 - Miami, Florida 33152**  
**[www.avantiproductions.com](http://www.avantiproductions.com)**

---

**ORDER FORM**  
**Avanti Products, P.O.Box 520604, Miami Florida 33152**

For your convenience, you may use a major credit card (Master Card, or Visa) to order accessories over the phone by calling (800) 220-5570.  
 To order by mail, please fill out the following form and send it in with your payment (check, money order or credit card) using the above address.

Qty	Item	Description	Price	Total
	CD-5	CUP DISPENSER	12.99	
	NSV-1	NO SPILL VALVE	9.99	
SUBTOTAL				
SHIPPING AND HANDLING			\$	6.25
TOTAL			\$	

NAME (please print) \_\_\_\_\_

ADDRESS \_\_\_\_\_

CITY \_\_\_\_\_ STATE \_\_\_\_\_ ZIP \_\_\_\_\_

DAYTIME PHONE ( ) \_\_\_\_\_

ENCLOSED IS \$ \_\_\_\_\_

CHECK  MONEY ORDER  MASTERCARD  VISA

CREDIT CARD NUMBER \_\_\_\_\_

EXPIRATION DATE \_\_\_\_\_

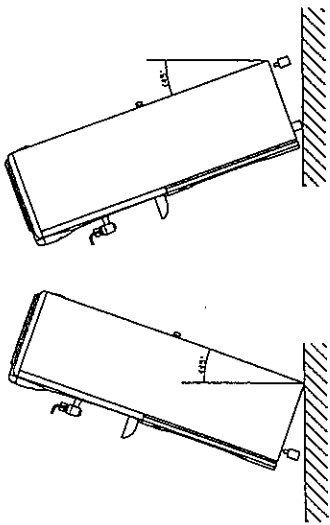
NAME (AS IT APPEARS ON CREDIT CARD) \_\_\_\_\_

SIGNATURE \_\_\_\_\_  
 (OF CREDIT CARD HOLDER)

**PLEASE MAKE CHECKS PAYABLE TO: AVANTI PRODUCTS**

Avanti has a policy of continuous improvement on its products and reserves the right to change materials and specifications without notice.

Prices and availability of items are subject to change without notice.



### Water Dispenser Legs

These legs are provided to level your water dispenser. All four are packed in plastic bag. Install prior to connecting unit to electrical outlet and inserting water bottle (see sketch above).

To install tilt the unit 45 degrees and insert legs provided into designated holes, turn clockwise until they lock. If floor is uneven then adjust each leg individually as needed.

### Patas Niveladoras

Las patas para nivelar el dispensador de agua deben ser colocadas antes de conectar la unidad al enchufe eléctrico e insertar el botellón de agua. Para instalarlas, incline la unidad unos 45° e inserte las patas en los agujeros señalados, enrósquelas hasta el tope. Si el piso está desnivelado, ajuste cada pata individualmente hasta que la unidad quede nivelada. Vea ilustración arriba.

## Registration Information

Thank you for purchasing this fine Avanti product. Please fill out this card and return it within 100 days of purchase and receive these important benefits:

➤ **Protect your product:**

We will keep the model number and date of purchase of your new Avanti product on file to help you refer to this information in the event of an insurance claim such as fire or theft.

➤ **Promote better products:**

We value your input. Your responses will help us develop products designed to best meet your future needs.

------(detach here)-----

### Avanti Registration Card

Name _____			Model # _____	Serial # _____
Address _____			Date Purchased _____	Store/Dealer Name _____
City _____	State _____	Zip _____	Occupation _____	
Area Code _____	Phone Number _____		<b>As Your Primary Residence, Do You:</b> <input type="checkbox"/> Own <input type="checkbox"/> Rent	
<b>Did You Purchase An Additional Warranty:</b> <input type="checkbox"/> Extended <input type="checkbox"/> Food Loss <input type="checkbox"/> None			<b>Your Age:</b> <input type="checkbox"/> under 18 <input type="checkbox"/> 18-25 <input type="checkbox"/> 26-30 <input type="checkbox"/> 31-35 <input type="checkbox"/> 36-50 <input type="checkbox"/> over 50	
<b>Reason For Choosing This Avanti Product:</b> Please indicate the most important factors that influenced your decision to purchase this product. <input type="checkbox"/> Price <input type="checkbox"/> Product Features <input type="checkbox"/> Avanti Reputation <input type="checkbox"/> Product Quality <input type="checkbox"/> Salesperson Recommendation <input type="checkbox"/> Friend/Relative Recommendation <input type="checkbox"/> Warranty <input type="checkbox"/> Other _____			<b>Marital Status:</b> <input type="checkbox"/> Married <input type="checkbox"/> Single <b>Is This Product Used In The:</b> <input type="checkbox"/> Home <input type="checkbox"/> Business <b>How Did You Learn About This Product:</b> <input type="checkbox"/> Advertising <input type="checkbox"/> Product Features <input type="checkbox"/> In Store Demo <input type="checkbox"/> Personal Demo <input type="checkbox"/> Other _____ Comments _____ _____ _____	

---

### HELP US HELP YOU...

#### Read this guide carefully.

It is intended to help you operate and maintain your new water dispenser properly.

Keep it handy to answer your questions. If you don't understand something or you need more help, please call:

**Avanti Customer Service**  
**800-220-5570**

Keep proof of original purchase date (such as your sales slip) with this guide to establish the warranty period.

#### Write down the model and serial numbers.

You'll find them on a label located on the back side of the unit.

Please write these numbers here:

\_\_\_\_\_  
Date of Purchase

\_\_\_\_\_  
Model Number

\_\_\_\_\_  
Serial Number

Use these numbers in any correspondence or service calls concerning your water dispenser.

If you received a damaged water dispenser, immediately contact the dealer (or builder) that sold you the water dispenser.

Save time and money. Before you call for service, check the Problem Solver Guide. It lists causes of minor operating problems that you can correct yourself.

---

### IF YOU NEED SERVICE

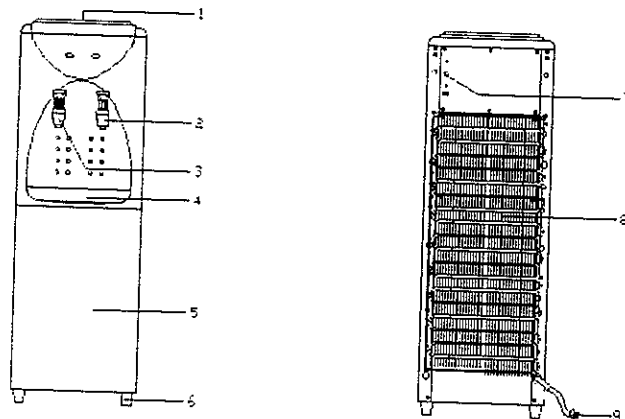
We're proud of our service and want you to be pleased. If for some reason you are not happy with the service you receive, here are some steps to follow for further help.

FIRST, contact the people who serviced your appliance. Explain why you are not pleased. In most cases, this will solve the problem.

NEXT, if you are still not pleased, write all the details, including your telephone number, and send to:

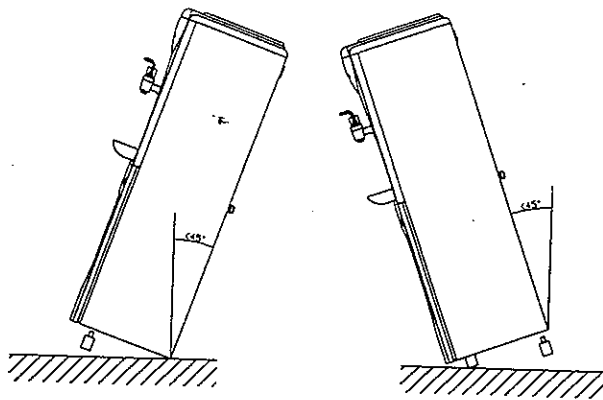
**Customer Service**  
**Avanti Products**  
**10880 NW 30 Street**  
**Miami, FL 33172**

## PARTS AND FEATURES



1. WATER INTAKE
2. COLD WATER FAUCET (BLUE)
3. ROOM TEMPERATURE WATER FAUCET (WHITE)
4. REMOVABLE DRIP TRAY
5. FRONT PANEL

6. DETACHABLE/ADJUSTABLE FEET
7. COOLING THERMOSTAT
8. CONDENSER COIL
9. POWER SUPPLY CORD



### Water Dispenser Legs

These legs are provided to level your water dispenser. All four are packed in plastic bag. Install prior to connecting unit to electrical outlet and inserting water bottle (see sketch above).

To install tilt the unit 45 degrees and insert legs provided into designated holes, turn clockwise until they lock. If floor is uneven then adjust each leg individually as needed.

### Patas Niveladoras

Las patas para nivelar el dispensador de agua deben ser colocadas antes de conectar la unidad al enchufe eléctrico e insertar el botellón de agua. Para instalarlas, incline la unidad unos 45° e inserte las patas en los agujeros señalados, enróquelas hasta el tope. Si el piso está desnivelado, ajuste cada pata individualmente hasta que la unidad quede nivelada. Vea ilustración arriba.

## Table of Contents

Registration Information Card	2
Help Us Help You	3
Parts and Features	4
Important Safety Instructions	6
Installation Guidelines	6
Before Using Your Water dispenser	6
Installation of Your Water dispenser	6
Operating Your Water dispenser	7
Care and Maintenance	8
Troubleshooting Guide	9
Service For Your Water dispenser	9
Your Avanti Products Warranty	10
Wiring Diagram	11
Spanish Section	12,13

## Important Safety Instructions

<b>⚡ WARNING ⚡</b>	To reduce the risk of fire, electrical shock, or injury when using your appliance, follow these basic precautions:
<ul style="list-style-type: none"><li>• Read all instructions before using the water dispenser.</li><li>• Never clean parts with flammable fluids. The fumes can create a fire hazard or explosion.</li><li>• Do not store or use gasoline or any other flammable vapors and liquids in the vicinity of this or any other water dispenser. The fumes can create a fire hazard or explosion.</li><li>• Do not plug unit into receptacle until you ensure the water tank switches are off.</li></ul> <p style="text-align: center;">-Save these instructions-</p>	

### INSTALLATION GUIDELINES:

- Remove the exterior and interior packing.
- Place your appliance on a floor that is strong enough to support the dispenser when it is fully loaded. The unit is provided with four rubber feet, if it does not sit level on the floor, adjust the front feet to level the unit well to the floor.
- Locate the appliance away from direct sunlight and sources of heat (stove, heater, radiator, etc.). Direct sunlight may affect the acrylic coating and heat sources may increase electrical consumption. Extreme cold ambient temperatures may also cause the appliance not to perform properly.
- Allow 2 inches of space between the water dispenser and the wall, which allows the proper air circulation to cool the compressor.
- Plug the appliance into an exclusive properly installed-grounded wall outlet. Do not under any circumstances cut or remove the third (ground) prong from the power cord. Any questions concerning power and or grounding should be directed toward a certified electrician or an authorized Avanti Products service center.
- This water dispenser is not recommended for outdoor use.
- Do not locate the dispenser in area where the temperature may fall below freezing (32°F).
- Keep area around dispenser free of dust and dirt.
- Keep the reserve supply of water bottles away from excessive heat and light.
- Never unplug the water cooler, except for maintenance.

NOTE: Remove drip tray provided from plastic bag. Connect both locking tabs into the holes located under the water faucets. Make sure tray locks-in properly and it is held firmly in place.

### OPERATION INSTRUCTIONS:

#### Before Using Your Water Dispenser

- Check to be sure the following parts are included:
  - Instruction manual
  - 2 extra cup dispenser cabinet plugs
  - Accessories order form.



- Before connecting the appliance to the power source, let it stand upright for approximately 2 hours. This will reduce the possibility of a malfunction in the cooling system from handling during transportation.
- The water dispenser is pre-cleaned at the factory but the reservoir and water lines must be flushed with fresh water before use as follows:
  - Keep the unit unplugged.
  - Fill water tank with tap water full to capacity (almost 3/4 of a gallon). Wait for 5 minutes until water settles.
  - Press both room temperature and cold-water faucets until water comes out, then stop.
  - Plug the dispenser into the electrical outlet. We are ready to complete the first cycle. In order to do that, wait for the cold water thermostat to cut-off and the compressor stop working (approximately 40 minutes for first cycle),
  - Place the 5-gallon bottle of water on the water intake, allow water to stand for approximately one minute.
  - Turn on water faucets to insure water flows from both faucets.
  - Plug dispenser into the electrical outlet.
  - Now you are ready to use your water dispenser.

NOTE: Your water dispenser has been cleaned and sanitized before leaving the factory, but in case a taste problem develops, place one tablespoon of baking soda and add tap water. Fill water tank again and repeat basic operations previously outlined.

### ⚡ WARNING ⚡

**IMPROPER USE OF THE GROUNDED PLUG CAN RESULT IN THE RISK OF ELECTRICAL SHOCK. IF THE POWER CORD IS DAMAGED, HAVE IT REPLACED BY AN AUTHORIZED AVANTI PRODUCTS SERVICE CENTER.**

## OPERATING YOUR WATER DISPENSER

### ➤ Steps to replace water bottles

- Use a clean cloth to wipe off neck of bottle.
- Remove cap.
- Carefully lift bottle (approx. 40 lbs.) using your legs and not your back. Do not place hands in opening of bottle while placing in reservoir.
- Insert the water bottle on the water intake over reservoir opening so it settles properly on it.
- Wipe off any water which may have splashed on dispenser top.

### ➤ Cold Water Control

Once the unit is plugged into power supply outlet, compressor will start working and the cooling cycle begins. When the water reaches the right temperature the cooling thermostat will cut-off automatically and compressor will stop working.

### ➤ Cold Water Faucet

This faucet (blue finish) provides cold water.

### ➤ Room Temperature Faucet

This faucet (white finish) provides room temperature water.

### ➤ Cup Dispenser (Optional)

A cup dispenser may be installed by using the mounting holes (covered with plastic caps) located near the top of the right side panel of the cooler. The cup dispenser comes equipped with a mounting

bracket and screws and may be ordered by completing the enclosed order form provided with your instruction manual.

## **CARE AND MAINTENANCE**

- Wash the inside of the reservoir with a warm water and baking soda solution. The solution should be about 2 tablespoons of baking soda to a quart of water.
- The drip tray and water faucets should be cleaned with mild detergent and warm water.
- At regular intervals or once a month inspect the coils located across the back of the dispenser. Vacuum accumulation of dust or clean it with a hard brush.

## **TAKING DISPENSER OUT OF SERVICE**

- If the water dispenser will not be used for a long period of time, unplug the power cord from the wall outlet.
- Drain the water through the faucets.
- Unit should not be transported on the sides. Place it upright if possible and cover it with a blanket.

## **PROBLEMS WITH YOUR WATER DISPENSER?**

You can solve many common water dispenser problems easily, saving you the cost of a possible service call. Try the suggestions outlined below to see if you can solve the problem before calling the servicer.

## TROUBLESHOOTING GUIDE

PROBLEM	POSSIBLE CAUSE
Water dispenser does not operate.	Not plugged in. The circuit breaker tripped or blown fuse.
Water cooler is not cold enough.	The water dispenser does not have the correct clearances.
Compressor turns on and off frequently.	The room temperature is hotter than normal. The temperature control is not set correctly. The water dispenser does not have the correct clearances.
Vibrations.	Check to assure that the water dispenser is level.
The water dispenser seems to make too much noise.	The rattling noise may come from the flow of the refrigerant, which is normal. As each cycle ends, you may hear gurgling sounds caused by the flow of refrigerant in your water dispenser. Contraction and expansion of the inside walls may cause popping and crackling noises. The water dispenser is not level.

### SERVICE FOR YOUR WATER DISPENSER

We are proud of our customer service organization and the network of professional service technicians that provide service on your Avanti appliances. With the purchase of your Avanti appliance, you can have the confidence that if you ever need additional information or assistance, the Avanti Products Customer Service team will be here for you. Just call us toll-free.

### AVANTI PRODUCTS CUSTOMER SERVICES

Product Information 800-323-5029	Whatever your questions are about our products, help is available.
Part Orders 800-220-5570	You may order parts and accessories that will be delivered directly to your home. You may order these items by personal check, money order, Master Card, or Visa.
In-Home Repair Service 800-220-5570	An Avanti Products authorized service center will provide expert repair service, scheduled at a time that is convenient for you. Our trained servicers know your appliance inside and out.

**WHAT IS COVERED**

**LIMITED ONE-YEAR WARRANTY**

For one year from the date of purchase by the original owner, Avanti Products will, at its option, repair or replace any part of the appliance which proves to be defective in material or workmanship under normal use. During this period Avanti Products will provide all parts and labor necessary to correct such defects free of charge, so long as the appliance has been installed and operated in accordance with the written instructions in this manual. In rental or commercial use, the warranty period is 90 days.

**LIMITED SECOND THROUGH FIFTH YEAR WARRANTY**

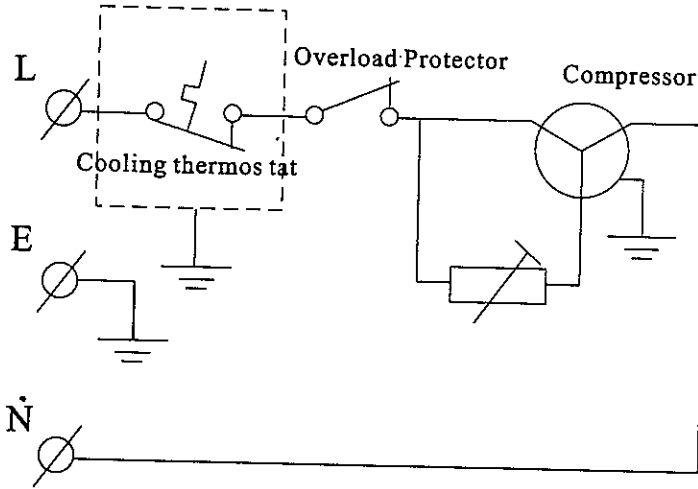
For the second through the fifth year from date of original purchase, Avanti Products will provide a replacement compressor free of charge due to a failure. You are responsible for the service labor and freight charges. In rental or commercial use, the limited compressor warranty is one year and nine months. Cost to move the appliance to the servicers shop and back to the user's home, as may be required, are the user's responsibility.

---

**WHAT IS NOT COVERED**

- Incidental or consequential damages.
- Parts and labor costs for the following will not be considered as warranty:
  - Inner door panels, door shelves, door rails, and/or door supports.
  - Light bulbs and/or plastic housing.
  - Plastic cabinet liners.
  - Punctured evaporator that voids the warranty on the complete sealed system.
  - Replacement of house fuses or resetting circuit breakers.
- Repairs performed by unauthorized servicers.
- Service calls that do not involve defects in material or workmanship such as customer education, door reversal, or proper installation.
- Service calls that are related to external problems, such as abuse, misuse, inadequate electrical power, accidents, fire, floods, or acts of God.
- Failure of the product if it is used for other than its intended purpose.
- This warranty does not apply outside the continental U.S.A.

# WIRING DIAGRAM



## **PASOS RECOMENDADOS PARA CAMBIAR EL BOTELLON**

- QUITA EL BOTELLON VACIO.
- LIMPIA EL CUELLO DEL BOTELLON NUEVO CON UN TRAPO LIMPIO.
- LEVANTA EL BOTELLON HACIENDO FUERZA CON LAS PIERNAS Y NO LA ESPALDA.
- TOMA EL BOTELLON POR LOS LADOS Y DIRIJA EL CUELLO DEL MISMO HACIA LA APERTURA DEL TANQUE.
- VOLTEA EL BOTELLON COMO SI FUERA A SOLTAR AGUA E INSERTE EL CUELLO DEL BOTELLON EN LA APERTURA DEL TANQUE HASTA QUE SE COLOQUE EN LA POSICION CORRECTA.

### **DIRECCIONES BASICAS DE OPERACION:**

- COLOQUE EL ENFRIADOR DE PIE POR UN PERIODO DE 2 HORAS ANTES DE ENCHUFAR LA UNIDAD A LA PARED.
- COLOQUE EL ENFRIADOR EN UN AREA BIEN VENTILADA Y DEJE UN ESPACIO DE UN POCO MAS DE 2 PULGADAS ENTRE LA UNIDAD Y LA PARED.
- ESCOJA UN LUGAR CON PISO NIVELADO.
- NO COLOQUE EL ENFRIADOR DONDE LA TEMPERATURA AMBIENTAL PUEDA BAJAR DE 32°F (0°C).

### **LLAVE DE AGUA FRIA**

LA LLAVE AZUL ES PARA DISPENSAR AGUA FRIA.

### **LLAVE DE AGUA A TEMPERATURA AMBIENTAL**

LA LLAVE BLANCA ES PARA DISPENSAR AGUA A TEMPERATURA AMBIENTAL AL MOMENTO DESEADO.

## **ANTES DE ENCHUFARLO**

AUNQUE EL ENFRIADOR SALE LIMPIO DE LA FABRICA, DEBE LIMPIAR Y ESTERILIZAR LOS CONDUCTOS DEL TANQUE Y LOS GRIFOS DE ACUERDO A LOS SIGUIENTES PASOS:

- MANTENGA LA UNIDAD DESENCHUFADA.
- LLENE EL TANQUE DE AGUA (HASTA EL TOPE) CON AGUA DE LA PILA.
- DEJE NIVELAR EL AGUA POR 5 MINUTOS.
- ABRA LAS LLAVES HASTA QUE SALGA AGUA Y CIERRE LAS INMEDIATAMENTE.
- ENCHUFE LA UNIDAD A LA PARED.
- TOMA EL BOTELLON DE AGUA Y SIGA LAS INSTRUCCIONES PARA CAMBIAR EL BOTELLON.
- AHORA SU ENFRIADOR ESTA LISTO PARA SU USO.

## **MANTENIMIENTO**

- A INTERVALOS REGULARES (UNA VEZ AL MES), INSPECCIONE EL CONDENSADOR O REJILLA DE ALAMBRE LOCALIZADA EN LA PARTE TRASERA DE LA UNIDAD.
- ANTES DE EFECTUAR LA LIMPIEZA, DESENCHUFE EL ENFRIADOR. USE UNA ASPIRADORA O UN CEPILLO DURO PARA QUITAR EL POLVO.
- PARA LIMPIAR LAS PARTES DE PLASTICO SE REQUIERE JABON LIQUIDO Y AGUA TIBIA. NO USE LIMPIADORES ABRASIVOS EN LA SUPERFICIE SUPERIOR NI EN LA BANDEJA DE ESCURRIMIENTO.

### **SI NO VA A USAR EL ENFRIADOR POR UN TIEMPO PROLONGADO**

- DESENCHUFE LA UNIDAD.
- QUITA EL BOTELLON DE AGUA.
- DRENE EL AGUA ABRIENDO LAS LLAVES.
- EL ENFRIADOR DEBE TRANSPORTARSE PARADO Y CUBIERTO CON UNA FRAZADA PARA EVITAR QUE SE RAYE.

**CENTRO DE SERVICIOS**

LA MAYORIA DE LOS PROBLEMAS SE RESUELVEN CON UNA SIMPLE LLAMADA TELEFONICA A NUESTRO NUMERO SIN CARGO.

**1-800-220-5570**

ANTES DE DEVOLVER EL PRODUCTO O PARA OBTENER LA DIRECCION Y NUMERO DE TELEFONO DEL CENTRO DE SERVICIO MAS CERCANO LLAME AL SIGUIENTE NUMERO.

**1-800-220-5570**

**POSIBLES PROBLEMAS****CAUSA**

DERRAME DE AGUA POR FUERA DEL ENFRIADOR	LA BOTELLA ESTA PERFORADA, REEMPLACELA.
EL AGUA NO ESTA SUFICIENTEMENTE FRIA.	SU TEMPERATURA DEBERIA SER DE 5° A 7° C CON UNA TEMPERATURA AMBIENTE DE 20° C. SI NO ES ASI, LLAME AL CENTRO DE SERVICIO, EL TERMOSTATO PODRIA ESTAR DEFECTUOSO.
EL ENFRIADOR NO ENFRIA EL AGUA	VERIFIQUE LOS CIRCUITOS, FUSIBLES O DISYUNTORES.

PRINTED IN CHINA

## Free Manuals Download Website

<http://myh66.com>

<http://usermanuals.us>

<http://www.somanuals.com>

<http://www.4manuals.cc>

<http://www.manual-lib.com>

<http://www.404manual.com>

<http://www.luxmanual.com>

<http://aubethermostatmanual.com>

Golf course search by state

<http://golfingnear.com>

Email search by domain

<http://emailbydomain.com>

Auto manuals search

<http://auto.somanuals.com>

TV manuals search

<http://tv.somanuals.com>