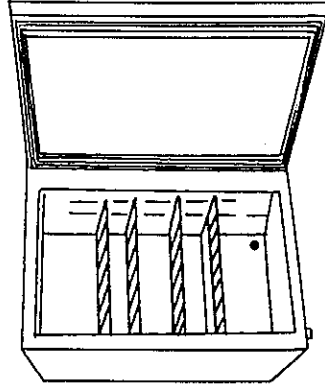


Avanti®

WINE COOLER INSTRUCTION MANUAL

Model Numbers:
WC260YGW/B



CAUTION:

BEFORE USE, PLEASE READ AND FOLLOW ALL SAFETY
RULES AND OPERATING INSTRUCTIONS.

Avanti Products, A Division of The Mackle Co., Inc.
P. O. Box 520604 – Miami, Florida 33152
[www. avantiproducts. com](http://www.avantiproducts.com)

HELP US HELP YOU...

Read this guide carefully.

It is intended to help you operate and maintain your new wine cooler properly.

Keep it handy to answer your questions.

If you don't understand something or you need more help, please call:

Avanti Customer Service
800 - 220 - 5570

Keep proof of original purchase date (such as your sales slip or cancelled check) with this guide to establish the warranty period.

CAUTION:

**THIS WINE COOLER IS NOT
DESIGNED FOR THE STORAGE OF
MEDICINE OR OTHER MEDICAL
PRODUCTS.**

Write down the model and serial numbers.

You'll find them on a label located on the back side of the unit.

Please write these numbers here:

Date of Purchase

Model Number

Serial Number

Use these numbers in any correspondence or service calls concerning your wine cooler.

If you received a damaged wine cooler, immediately contact the dealer (or builder) that sold you the wine cooler.

Save time and money. Before you call for service, check the Problem Solver Guide, it lists causes of minor operating problems that you can correct yourself.

IF YOU NEED SERVICE

We're proud of our service and want you to be pleased. If for some reason you are not happy with the service you receive, here are some steps to follow for further help.

FIRST, contact the people who serviced your appliance. Explain why you are not pleased. In most cases, this will solve the problem.

NEXT, if you are still not pleased, write all the details, including your telephone number, and send to:

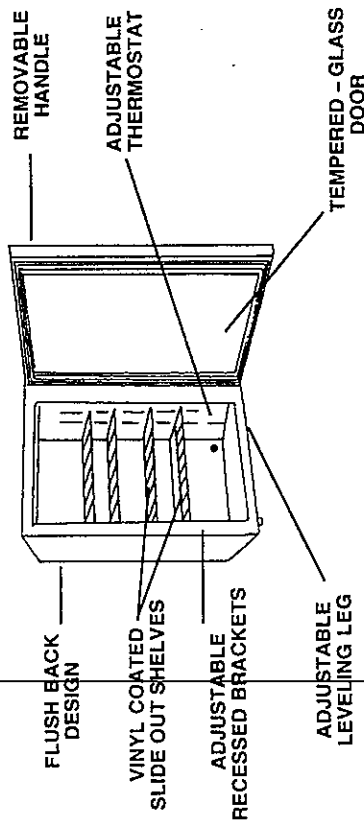
Customer Service
Avanti Products
10880 NW 30 Street
Miami, FL 33172

Table of Contents

Warranty Information and Registration Card	1
Help Us Help You	2
Parts and Features	4
Important Safety Instructions	4
Installation Instructions	4
Before Using Your Wine Cooler	4
Installation of Your Wine Cooler	4
Installing the Door Handle	5
Reversing the Door Swing of Your Wine Cooler	5
Operating Your Wine Cooler	6
Temperature Control	6
Care and Maintenance	7
Cleaning Your Wine Cooler	7
Maintenance of Your Wine Cooler	7
Vacation Time	7
Moving Your Wine Cooler	7
Troubleshooting Guide	8
Service For Your Wine Cooler	9
Your Avant! Products Warranty	9
WC260YGW/B Parts Breakdown	11
WC260YGW/B Parts List	12
WC260YGW/B Wiring Diagram	13

Parts and Features

REVERSIBLE DOOR



Important Safety Instructions

⚠ WARNING	<p>To reduce the risk of fire, electrical shock, or injury when using your appliance, follow these basic precautions:</p> <ul style="list-style-type: none"> • Read all instructions before using the appliance. • Child entrapment and suffocation are not problems of the past. Junked or abandoned appliances are still dangerous... even if they will "just sit in the garage a few days." • If you are getting rid of your old appliance, do it safely. Please read the safety booklet from the Association of Home Appliance Manufacturers. Help prevent accidents. • Never allow children to operate, play with, or crawl inside the appliance. • Never clean appliance parts with flammable fluids. The fumes can create a fire hazard or explosion. • Do not store or use gasoline or any other flammable vapors and liquids in the vicinity of this or any other appliance. The fumes can create a fire hazard or explosion. <p style="text-align: center;">- Save these instructions -</p>
------------------	---

INSTALLATION INSTRUCTIONS

➤ Before Using Your Wine Cooler

- Remove the exterior and interior packing.
- Check to be sure the following parts are included:
 - 4 slide out shelves
 - 1 door handle with two Phillips screws
 - Instruction manual
- Before connecting the appliance to the power source, let it stand upright for approximately 2 hours. This will reduce the possibility of a malfunction in the cooling system from handling during transportation.
- Clean the interior surface with lukewarm water using a soft cloth.

➤ Installation of Your Wine Cooler

- Place Your appliance on a floor that is strong enough to support the appliance when it is fully loaded. To level your appliance, adjust the legs at the front of the appliance.
- Allow 5 inches of space between the back and sides of the appliance, which allows the proper air circulation to cool the compressor.
- Locate the appliance away from direct sunlight and sources of heat (stove, heater, radiator, etc.) . Direct sunlight may affect the acrylic coating and heat sources may increase electrical consumption. Extreme

cold ambient temperatures may also cause the appliance not to perform properly.

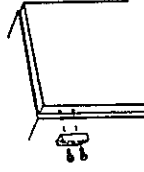
- Avoid locating the appliance in moist areas. Too much moisture in the air will cause frost to form quickly on the evaporator, requiring more frequent defrosting of the wine cooler.
- Plug the appliance into an exclusive properly installed – grounded wall outlet. Do not under any circumstances cut or remove the third (ground) prong from the power cord. Any questions concerning power and or grounding should be directed toward a certified electrician or an authorized Avanti Products Service center.

⚠ Warning

Improper use of the grounded plug can result in the risk of electrical shock. If the power cord is damaged, have it replaced by an authorized Avanti Products service center.

➤ Installing the Door Handle

- Place the handle over the two holes in the upper left side of the door.
- Attach using the two Phillips screws provided.



➤ Reversing the Door Swing of Your Wine Cooler

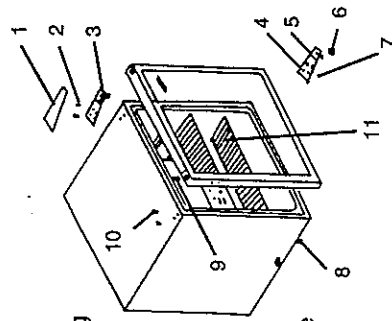
This wine cooler has the capability of either opening the door from the left or right side. The unit is delivered to you with the door opening from the left side. Should you desire to reverse the opening direction, please follow these instructions.

NOTE:

All parts removed must be saved to do the reinstallation of the door.

Removal of the Wine Cooler Door

- Remove the upper hinge cap (1).
- Using a sharp object, pry out the two plug buttons (10).
- Remove the two Phillips screws (2) that connect the upper hinge (3) on the right side of the cabinet top.
- Carefully lift the door, placing it on a padded surface to avoid scratching.
- Remove the plug (9) and transfer it to the uncovered hole at the right side. Be sure to press the button firmly into the hole
- Remove the two bolts (7) that hold the lower



hinge (4) on the right side.

- Remove the adjustable leveling leg (8) and transfer it to the right side.
- Reattach the lower hinge (4) on the left side by attaching the adjustable leveling leg (8) and two bolts (7).

Reversal and Installation of Wine Cooler Door

- Set the wine cooler door in its new position, making sure the hinge Pin enters the bushing at the bottom of the cabinet.
- While holding the door in the closed position, loosely secure the upper hinge using the two Phillips screws. Be sure the pin enters the bushing at the upper and lower frame section (holes).
- Before tightening the screws, be sure the top of the door is level with the cabinet top.
- Replace the upper hinge cover (1).
- Replace the two plug buttons (10) in the holes now on the top right corner of the unit.
- Change the position of the handle

Changing the Position of the Handle

- Remove the two Phillips screws attaching the handle.
- Place the handle over the two holes located on the upper right corner of the door.
- Reattach using the two Phillips screws.

NOTE:

Before tightening these screws, make sure the top of the door is level with the top of the cabinet.

OPERATING YOUR WINE COOLER

Temperature Control

- The first time you turn the unit on, set the temperature control to "MAX" position.
- The settings of the temperature control are "OFF", "MIN", "NORMAL" and "MAX". After 20 minutes, adjust the temperature control setting to "NORMAL". The setting of "NORMAL" should be correct for home or office wine cooler use.
- To turn the wine cooler off, turn the temperature control to "OFF".

NOTE:

- Turning the temperature control to "OFF" position stops the cooling cycle, but does not shut off the power to the wine cooler.
- If the unit is unplugged, power lost, or turned off, you must wait 3 to 5

minutes before restarting the unit. If you attempt to restart before this time delay, the wine cooler will not start.

- The range between "MIN" and "MAX" is from 48°F to 61°F, which is ideal for the storage of wines at the "NORMAL" setting.

CARE AND MAINTENANCE

Cleaning Your Wine Cooler

- Turn the temperature control to "OFF", unplug the wine cooler, and remove the bottles.
- Wash the inside with a warm water and baking soda solution. The solution should be about 2 tablespoons of baking soda to a quart of water.
- Wash the shelves and trays with a mild detergent solution.
- The outside of the wine cooler should be cleaned with mild detergent and warm water.
- It may also be necessary to periodically wipe the bottom part of the storage area, as the wine cooler is designed to retain humidity, and condensation may collect there.
- Dry the water collection tray located above the compressor in the back of the unit. Once dry, place it back to its original position.

Maintenance of Your Wine Cooler

- Power Failure

Most power failures are corrected within a few hours and should not affect the temperature of your wine cooler if you minimize the number of times the door is opened. If the power is going to be off for a longer period of time, you need to take the proper steps to protect your contents.

Vacation Time

During long absences, remove all the bottles; unplug your wine cooler, clean your wine cooler, and leave the door open slightly to avoid possible formation of condensation, mold, or odors.

Moving Your Wine Cooler

- Remove all the bottles.
- Securely tape down all loose items inside your wine cooler.
- Turn the leveling screws up to the base to avoid damage.
- Tape the doors shut.
- Be sure the wine cooler stays in the upright position during transportation.

PROBLEMS WITH YOUR WINE COOLER?

You can solve many common wine cooler problems easily, saving you the cost of a possible service call. Try the suggestions below see if you can solve the problem before calling the servicer.

TROUBLESHOOTING GUIDE

PROBLEM	POSSIBLE CAUSE
Wine cooler does not operate.	Not plugged in. The circuit breaker tripped or blown fuse. The wine cooler temperature control is set at "OFF".
Wine cooler is not cold enough.	Check to be sure the temperature control setting is at "NORMAL". External environment may require a higher setting. The door is opened too often. The door is not closed completely. The door gasket does not seal properly. The wine cooler does not have the correct clearances.
Compressor turns on and off frequently.	Condenser coils at the back of the unit are dirty. The room temperature is hotter than normal. A large amount of contents has been added to the wine cooler. The door is opened too often. The door is not closed completely. The temperature control is not set correctly. The door gasket does not seal properly. The wine cooler does not have the correct clearances.
Vibrations.	Check to assure that the wine cooler is level.
The wine cooler seems to make too much noise.	The rattling noise may come from the flow of the refrigerant, which is normal. As each cycle ends, you may hear gurgling sounds caused by the flow of refrigerant in your wine cooler. Contraction and expansion of the inside walls may cause popping and cracking noises. The wine cooler is not level.
The door will not close properly.	The wine cooler is not level. The doors were reversed and not properly installed. The gasket is dirty. The shelves, bins, or baskets are out of position.

SERVICE FOR YOUR WINE COOLER

We are proud of our customer service organization and the network of professional service technicians that provide service on your Avanti appliances. With the purchase of your Avanti appliance, you can have the confidence that if you ever need additional information or assistance, the Avanti Products Customer Service team will be here for you. Just call us toll - free.

AVANTI PRODUCTS CUSTOMER SERVICES

Product Information 800 - 323 - 5029	Whatever your questions are about our products, help is available.
Part Orders 800 - 220 - 5570	You may order parts and accessories that will be delivered directly to your home. You may order these items by personal check, money order, MasterCard, or Visa.
In - Home Repair Service 800 - 220 - 5570	An Avanti Products authorized service center will provide expert repair service, scheduled at a time that is convenient for you. Our trained servicers know your appliance inside and out.

YOUR Avanti Products WARRANTY	Staple your sales receipt or cancelled check here. Proof of original purchase date is needed to obtain service under warranty.
---	--

WHAT IS COVERED
LIMITED ONE - YEAR
WARRANTY

For one year from the date of purchase by the original owner, Avanti Products will, at its option, repair or replace any part of the appliance which proves to be defective in material or workmanship under normal use. During this period Avanti Products will provide all parts and labor necessary to correct such defects free of charge, so long as the appliance has been installed and operated in accordance with the written instructions in this manual. In rental or commercial use, the warranty period is 90 days.

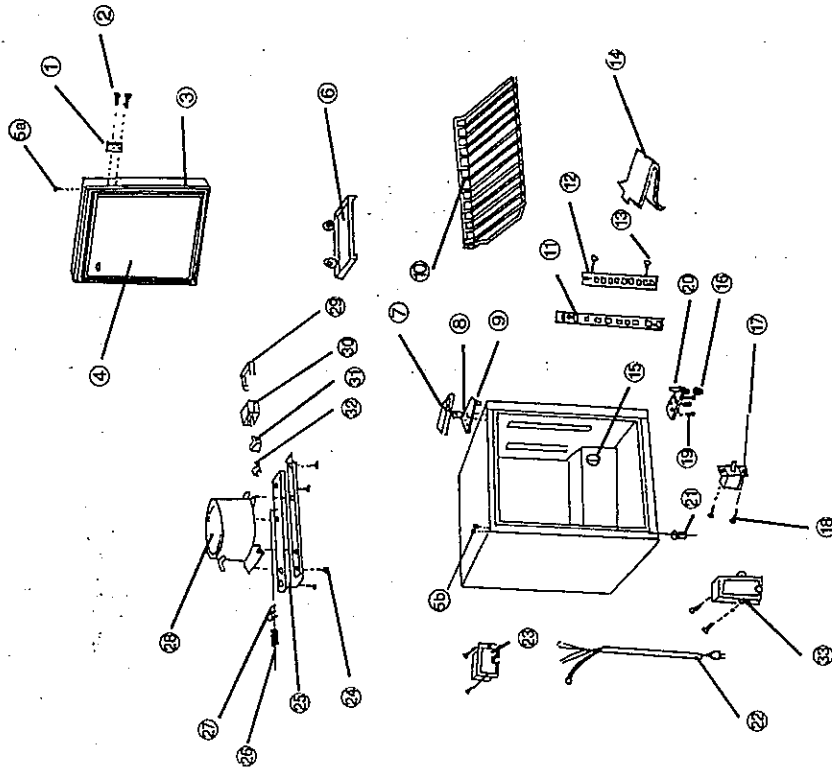
LIMITED SECOND THROUGH
FIFTH YEAR WARRANTY

For the second through fifth year from date of original purchase, Avanti Products will provide a replacement compressor free of charge due to a failure. You are responsible for the service labor and freight charges. In rental or commercial use, the limited compressor warranty is one year and nine months. Cost to move the appliance to the servicers' shop and back to the user's home, as may be required, are the user's responsibility.

WHAT IS NOT COVERED

- Content losses of food or other, due to spoilage.
- Incidental or consequential damages.
- Parts and labor costs for the following will not be considered as warranty:
- Evaporator doors, door springs, and/or frames.
- Inner door panels, door shelves, door rails, and/or door supports.
- Chest freezer lid liners.
- Vegetable crispers.
- Light bulbs and/or plastic housing.
- Plastic cabinet liners.
- Punctured evaporator that voids the warranty on the complete sealed system.
- Repairs performed by unauthorized servicers.
- Service calls that do not involve defects in material or workmanship such as customer education, door reversal, or proper installation.
- Service calls that are related to external problems, such as abuse, misuse, inadequate electrical power, accidents, fire, floods, or acts of God.
- Replacement of house fuses or resetting circuit breakers.
- Failure of the product if it is used for other than its intended purpose.
- This warranty does not apply in any foreign country.

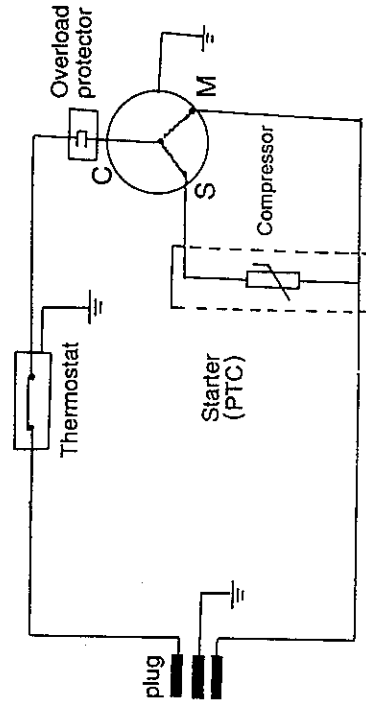
WC260YGW / B PARTS BREAKDOWN



WC260YGW/B PARTS LIST

ITEM#	PART NUMBER	DESCRIPTION
1	B107.7-5	Handle
2	GB845-85	Tapping screw
3	B107.7.1-1	Door Gasket
4	B107.7-1	Glass Door
5A	B105.0-4	Button
5B	B105.0-5	Button
6	B106	Evaporator Drain Pan
7	B105.0-1	Hinge Cap
8	GJB122.2-86	Tapping Screw
9	B105.1-2	Top Hinge
10	B107.2	Shelf
11	B107.3	Recessed Bracket
12	B107.4	Recessed Bracket
13	GJB122.7-86	Tapping Screw
14	B107.5	Fixed Clamp
15	B107.0-1	Thermostat Knob
16	B107.6.1-2	Adjustable Leveling Leg
17	B101.3.3	Thermostat
18	GJB122.2-86	Tapping Screw
19	GJB122.2-86	Tapping Screw
20	B105.4.2-1	Bottom Hinge
21	B102.5.1-1	Ground Leg
22	B102.1	Power Supply Cord
23	B102.8.2-2	Wiring Junction Box
24	GJB122.1-86	Machine Screw
25	B102.6.1-2	Compressor Bracket
26	B102.0-8	Rubber Cord
27	B102.12	Clamp Power Supply Cord
28	B101.2	Compressor
29	B102.2-1	Clip Relay Cover
30	B102.2-2	Relay Cover
31	B102.2-3	PTC Starter
32	B101.2-4	Overload Protector
33	B107.0-2	Bracket
34	B105.B.O.1	Master Carton
35	B105.B.O.1	Top Bottom Styrofoam
36	B105.B.9.2	Plastic Bag
37	B107.10	Instruction Manual
38	B107.11	UPC Label
39	B107.12	ID Label

WC260YGW/B WIRING DIAGRAM



Printed in China

Free Manuals Download Website

<http://myh66.com>

<http://usermanuals.us>

<http://www.somanuals.com>

<http://www.4manuals.cc>

<http://www.manual-lib.com>

<http://www.404manual.com>

<http://www.luxmanual.com>

<http://aubethermostatmanual.com>

Golf course search by state

<http://golfingnear.com>

Email search by domain

<http://emailbydomain.com>

Auto manuals search

<http://auto.somanuals.com>

TV manuals search

<http://tv.somanuals.com>