

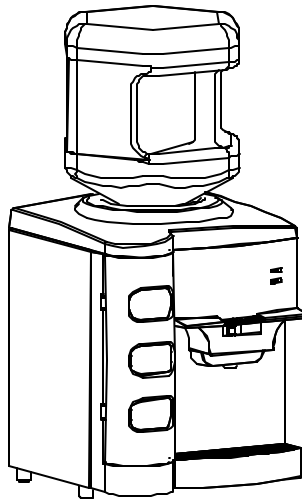


**INSTRUCTION MANUAL  
MANUAL DE INSTRUCCIONES**

**MODEL NUMBER / NUMERO DE MODELO:**

**WD30EC**

**THERMOELECTRIC WATER DISPENSER  
ENFRIADOR DE AGUA TERMoeLECTRICO**



**BEFORE USE, PLEASE READ AND FOLLOW ALL SAFETY RULES AND OPERATING INSTRUCTIONS.**

*Avanti has a policy of continuous improvement on its products and reserves the right to change materials and specifications without notice.*

*La sección en español empieza en la página 12.*

---

**Avanti Products, A Division of the Mackle Co., Ltd.  
P.O. Box 520604 - Miami, Florida 33152  
[www.avantiproductions.com](http://www.avantiproductions.com)**

---

## REGISTRATION INFORMATION

Thank you for purchasing this fine Avanti product. Please fill out this card and return it within 100 days of purchase and receive these important benefits to the following address:

**Avanti Products, A Division of the Mackle Co., Ltd.  
P.O. Box 520604 - Miami, Florida 33152 USA**

✂ **Protect your product:**

We will keep the model number and date of purchase of your new Avanti product on file to help you refer to this information in the event of an insurance claim such as fire or theft.

✂ **Promote better products:**

We value your input. Your responses will help us develop products designed to best meet your future needs.

----- (detach here) -----

### Avanti Registration Card

Name	Model #	Serial #
Address	Date Purchased	Store/Dealer Name
City	State	Zip
Occupation		

**As Your Primary Residence, Do You:**

Area Code      Phone Number       Own       Rent

**Did You Purchase An Additional Warranty:**

Extended       None

**Reason For Choosing This Avanti Product:**

Please indicate the most important factors that influenced your decision to purchase this product.

- Price
- Product Features
- Avanti Reputation
- Product Quality
- Salesperson Recommendation
- Friend/Relative Recommendation
- Warranty
- Other \_\_\_\_\_

**Your Age:**

- under 18     18-25     26-30
- 31-35       36-50     over 50

**Marital Status:**

- Married       Single

**Is This Product Used In The:**

- Home       Business

**How Did You Learn About This Product:**

- Advertising
- In Store Demo       Personal Demo

Other \_\_\_\_\_  
Comments \_\_\_\_\_  
\_\_\_\_\_  
\_\_\_\_\_



---

## HELP US HELP YOU ...

### Read this guide carefully.

It is intended to help you operate and maintain your new water dispenser properly.

Keep it handy to answer your questions. If you don't understand something or you need more assistance, please call:

**Avanti Customer Service  
800-220-5570**

Keep proof of original purchase date (such as your sales slip) with this guide to establish the warranty period.

### Write down the model and serial numbers.

You'll find them on a label located on the back side of the unit.

Please write these numbers here:

\_\_\_\_\_  
Date of Purchase

\_\_\_\_\_  
Model Number

\_\_\_\_\_  
Serial Number

Use these numbers in any correspondence or service calls concerning your water dispenser.

If you received a damaged water dispenser, immediately contact the dealer (or builder) that sold you the water dispenser.

Save time and money. Before you call for service, check the Problem Solver Guide. It lists causes of minor operating problems that you can correct yourself.

---

## IF YOU NEED SERVICE

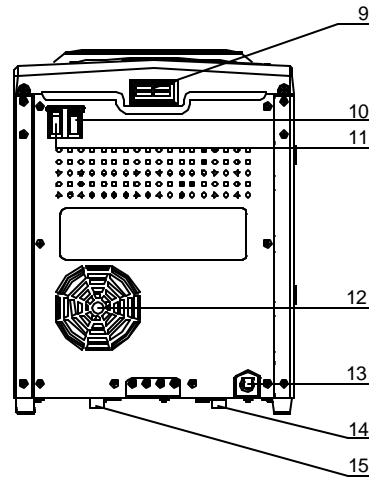
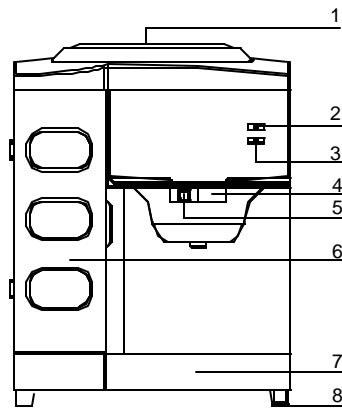
We're proud of our service and want you to be pleased. If for some reason you are not happy with the service you receive, here are some steps to follow for further assistance.

FIRST, contact the people who serviced your appliance. Explain why you are not pleased. In most cases, this will solve the problem.

NEXT, if you are still not pleased, write all the details, including your telephone number, and send it to:

**Customer Service  
Avanti Products  
10880 NW 30 Street  
Miami, FL 33172 USA**

## PARTS AND FEATURES





1. Water Intake
2. Hot Indicator Light (RED)
3. Cold Indicator Light (GREEN)
4. Cold Water Faucet (BLUE)
5. Hot Water Faucet/Child Guard (RED)
6. Built-in Cup Dispenser
7. Removable Drip Tray
8. Fixed Feet

9. Air inlet
10. Cooling Switch
11. Heating Switch
12. Cooling Fan Vent
13. Power Supply Cord with Plug
14. Hot Water Drain
15. Cold Water Drain

## TABLE OF CONTENTS

Registration Information	2
Help Us Help You ...	4
Parts And Features	5
Important Safety Instructions	7
Installation Guidelines	7
Operation Instructions	7
Before Using Your Water Dispenser	7
Operating Your Water Dispenser	8
Electrical Connection	8
Steps To Replace Water Bottle	8
Cold Water Control	8
Hot Water Control	8
Care And Maintenance	9
Taking Dispenser Out Of Service	9
Troubleshooting Guide	10
Service For Your Water Dispenser	10
Your Avanti Products Warranty	11
Wiring Diagram	12
INSTRUCCIONES EN ESPAÑOL	12 - 14

## IMPORTANT SAFETY INSTRUCTIONS

 <b>WARNING</b> 	To reduce the risk of fire, electrical shock, or injury when using your appliance, follow these basic precautions:
<ul style="list-style-type: none"><li>? Read all instructions before using the water dispenser.</li><li>? Never clean parts with flammable fluids. The fumes can create a fire hazard or explosion.</li><li>? Do not store or use gasoline or any other flammable vapors and liquids in the vicinity of this or any other water dispenser. The fumes can create a fire hazard or explosion</li><li>? Do not plug unit into receptacle until you ensure the water tank switches are off.</li></ul> <p style="text-align: center;">-Save these instructions-</p>	

## INSTALLATION GUIDELINES

- ? Remove the exterior and interior packing.
- ? Locate the appliance away from direct sunlight and sources of heat (stove, heater, radiator, etc.). Direct sunlight may affect the acrylic coating and heat sources may increase electrical consumption. Extreme cold ambient temperatures may also cause the appliance not to perform properly.
- ? Plug the appliance into an exclusive properly installed-grounded wall outlet. Do not under any circumstances cut or remove the third (ground) prong from the power cord. Any questions concerning power and/or grounding should be directed toward a certified electrician or an authorized Avanti Products service center.
- ? This water dispenser is not recommended for outdoor use.
- ? Do not locate the dispenser in area where the temperature may fall below freezing (32° F).
- ? Keep area around dispenser free of dust and dirt.
- ? Keep the reserve supply of water bottles away from excessive heat and light.

## OPERATION INSTRUCTIONS

### **Before Using Your Water Dispenser**

- ? Check to be sure the following parts are included:
  - ✍ 1 Instruction Manual
  - ✍ 1 Cup Dispenser Bracket
  - ✍ 1 Removable Drip Tray
- ? The water cooler is pre-cleaned at the factory but the reservoir and water lines must be flushed with fresh water before use as follows:
  - o Keep the unit unplugged.
  - o Fill water tank with tap water full to capacity (about 20 ounces). Wait for 5 minutes until water settles.
  - o Proceed to drain the water from both faucets until no more water remains.
  - o Then, drain any water left in the tanks by opening the water drain caps located on the bottom, until it drains completely.
  - o Proceed to close the drain caps. Also make sure both faucets are closed.
  - o Place the water bottle on the water intake, allow water to stand for approximately one minute.
  - o Open water faucets to insure water flows from both faucets.
  - o Plug dispenser into the electrical outlet.

- Turn the cold and hot water switches ON (at the rear).
- Now you are ready to use your water dispenser.

**IT WILL TAKE APPROXIMATELY 1 HOUR TO REACH OPTIMUM TEMPERATURE. IF YOU CONSUME ONE 8 OZ. CUP THE RECOVERY TIME IS APPROXIMATELY 25 MINUTES OR LESS. IF YOU CONSUME 2 OR MORE 8 OZ. CUPS RECOVERY TIME CAN TAKE UP TO 1 HOUR.**

**NOTE:** Your water dispenser has been cleaned and sanitized before leaving the factory, but in case a taste problem develops, place one tablespoon of baking soda and add tap water. Fill water tank again and repeat basic operations previously outlined.

## **OPERATING YOUR WATER DISPENSER**

### **Electrical Connection**



**IMPROPER USE OF THE GROUNDED PLUG CAN RESULT IN THE RISK OF ELECTRICAL SHOCK. IF THE POWER CORD IS DAMAGED, HAVE IT REPLACED BY AN AUTHORIZED AVANTI PRODUCTS SERVICE CENTER.**

This appliance should be properly grounded for your safety. The power cord of this appliance is equipped with a three-prong plug which mates with standard three prong wall outlets to minimize the possibility of electrical shock.

Plug the appliance into an exclusive properly installed-grounded wall outlet. Do not under any circumstances cut or remove the third (ground) prong from the power cord. Any questions concerning power and/or grounding should be directed toward a certified electrician or an authorized Avanti Products service center.

This appliance requires a standard 115/120 Volts A.C. ~/ 60Hz electrical outlet with three-prong ground.

The cord should be secured behind the appliance and not left exposed or dangling to prevent accidental injury.

Do not use an adapter plug with this appliance.

Do not use an extension cord with this appliance. If the power cord is too short, have a qualified electrician or service technician install an outlet near the appliance.

### **Steps To Replace Water Bottle**

- ✍ Use a clean cloth to wipe off neck of bottle.
- ✍ Remove cap, if there is one on.
- ✍ Insert the water bottle on the water intake over reservoir opening so it settles properly on it.
- ✍ Wipe off any water, which may have splashed on dispenser top.

### **Cold Water Control**

Turn the switch marked "COLD" ON. The green (COLD) indicator will be lit and the process begins. When the water reaches the right temperature the green (COLD) indicator goes off automatically.

### **Hot Water Control**

Turn the switch marked "HOT" ON. The red (HOT) indicator will be lit on and the unit will begin to heat the water. When the water reaches the right temperature the red (HOT) light goes off automatically. When the temperature goes down to approx. 86° C (187° F), the red indicator will glow again and another

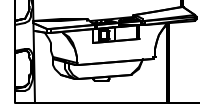


heating process starts.

**NOTE:**  
**THE HOT WATER FAUCET HAS A CHILD-SAFETY GUARD ATTACHMENT.**

To get hot water:

- ? Press the safety button on the faucet and then push the faucet handle down.
- ? Continue holding safety valve while pushing down faucet handle as long as water is being dispensed.
- ? When faucet handle is released, make sure to return it to the original position.



## CARE AND MAINTENANCE

- ? Wash the inside of the reservoir with a warm water and baking soda solution. The solution should be about 2 tablespoons of baking soda to a quart of water.
- ? The drip tray and water faucets should be cleaned with mild detergent and warm water.

## TAKING DISPENSER OUT OF SERVICE

- ? If the water dispenser will not be used for a long period of time, turn both switches OFF (at the rear) and unplug the power cord from the wall outlet.
- ? Drain the water through the faucets.
- ? Drain the water from the tanks by removing the caps from the bottom of the dispenser.

**WARNING—THE WATER COMING OUT OF THE BOTTOM MARKED “HOT WATER DRAIN” MAY BE SCOLDING.**

## PROBLEMS WITH YOUR WATER DISPENSER?

You can solve many common water dispenser problems easily, saving you the cost of a possible service call. Try the suggestions outlined below to see if you can solve the problem before calling the servicer.

### TROUBLESHOOTING GUIDE

PROBLEMS	POSSIBLE CAUSES
Water dispenser does not operate.	Not plugged in. The circuit breaker tripped or a blown fuse.
Water is not cold enough.	Check to be sure the COLD switch on the back is ON. Too much water has been drawn within a short period of time. If more than two 8 oz. Cups have been drawn within a 25 minute span, you will need to wait up to one hour to reach optimal temperature.
Water is not hot enough.	Check to be sure the HOT switch on the back is ON. Too much water has been drawn within a short period of time. If more than two 8 oz. Cups have been drawn within a 25 minute span, you will need to wait up to one hour to reach optimal temperature.
Vibrations.	Check to assure that the water dispenser is level.

## SERVICE FOR YOUR WATER DISPENSER

We are proud of our customer service organization and the network of professional service technicians that provide service on your Avanti appliances. With the purchase of your Avanti appliance, you can be confident that if you ever need additional information or assistance, the Avanti Products Customer Service team will be here for you. Just call us toll-free.

### AVANTI PRODUCTS CUSTOMER SERVICES

Product Information 800-323-5029 Part Orders 800-220-5570	Whatever your questions are about our products, help is available. You may order parts and accessories that will be delivered directly to your home by personal check, money order, Master Card, or Visa.
In-Home Repair Service 800-220-5570	An Avanti Products authorized service center will provide expert repair service, scheduled at a time that is convenient for you. Our trained servicers know your appliance inside and out.

**YOUR Avanti Products WARRANTY**

Staple your sales receipt here. Proof of original purchase date is needed to obtain service under warranty.

**WHAT IS COVERED****LIMITED ONE-YEAR WARRANTY**

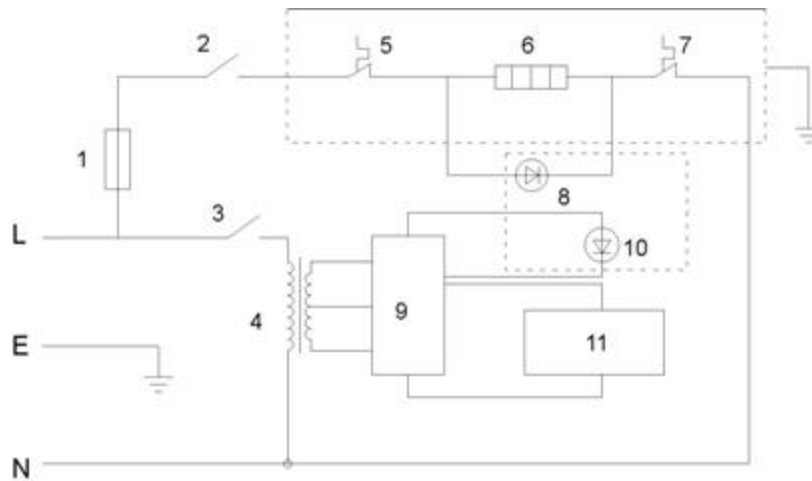
For one year from the date of purchase by the original owner, Avanti Products will, at its option, repair or replace any part of the appliance which proves to be defective in material or workmanship under normal use. During this period Avanti Products will provide all parts and labor necessary to correct such defects free of charge, so long as the appliance has been installed and operated in accordance with the written instructions in this manual. In rental or commercial use, the warranty period is 90 days.

---

**WHAT IS NOT COVERED**

- ? Incidental or consequential damages.
- ? Parts and labor costs for the following will not be considered as warranty:
  - ? Light bulbs and/or plastic housing.
  - ? Replacement of house fuses or resetting circuit breakers.
  - ? Repairs performed by unauthorized servicers.
  - ? Transportation of this product to and from the designated service facility is the responsibility of the consumer.
- ? Service calls that do not involve defects in material or workmanship such as customer education or improper installation.
- ? Service calls that are related to external problems, such as abuse, misuse, inadequate electrical power, accidents, fire, floods, or acts of God.
- ? Failure of the product if it is used for other than its intended purpose.
- ? This warranty does not apply outside the continental U.S.A.

## WIRING DIAGRAM



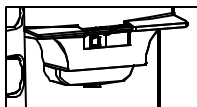
- |                   |                                 |
|-------------------|---------------------------------|
| 1. 10A FUSE       | 7. THERMOSTAT                   |
| 2. HEATING SWITCH | 8. HEATING INDICATOR (RED)      |
| 3. COOLING SWITCH | 9. COOLING INDICATOR (GREEN)    |
| 4. TRANSFORMER    | 10. CONTROL PCB                 |
| 5. PROTECTOR      | 11. THERMOELCTRIC REFRIGERATION |
| 6. HEATER         |                                 |

## INSTRUCCIONES EN ESPAÑOL

**AVISO:**  
ESTE GRIFO DE AGUA CALIENTE TIENE UN ADAPTADOR DE SEGURIDAD PARA NIÑOS.

### PARA OBTENER AGUA CALIENTE

- ? APRIETE EL BOTON DE SEGURIDAD HACIA ABAJO.
- ? MANTENGA AGAURDO ESE BOTON ROJO MIENTRAS QUE NUESTRA EL GRIFO Y ESTE DISPENSANDO AGUA.
- ? CUANDO SUELTE EL BOTON DE SEGURIDAD, ASEGURESE DE RETORNARLO TODO A LA POSICION ORIGINAL.



## INSTRUCCIONES EN ESPAÑOL

### DIRECCIONES BASICAS DE OPERACION:

- ✍ COLOQUE EL ENFRIADOR EN UN AREA BIEN VENTILADA.
- ✍ ESCOJA UN LUGAR CON PISO NIVELADO.
- ✍ NO COLOQUE EL ENFRIADOR DONDE LA TEMPERATURA AMBIENTAL PUEDA BAJAR DE 32°F (0°C).

### OPERACION INICIAL

- ? REMUEVA EL BOTELLON DE AGUA.
- ? AUNQUE EL ENFRIADOR SALE LIMPIO DE LA FABRICA, DEBE LIMPIAR Y ESTERILIZAR LOS CONDUCTOS DEL TANQUE Y LAS LLAVES DE ACUERDO A LOS SIGUIENTES PASOS:
  - ✍ LLENE EL TANQUE DE AGUA (HASTA EL TOPE) CON AGUA DE LA PILA.
  - ✍ DEJE NIVELAR EL AGUA POR 5 MINUTOS.
  - ✍ ABRA LAS LLAVES HASTA QUE SALGA TODA EL AGUA. CIERRELAS.
  - ✍ ENTONCES, VACIE EL TANQUE COMPLETAMENTE ABRIENDO LAS TAPAS DE DRENAJE SITUADA ABAJO DEL GABINETE. CIERRELAS.
  - ✍ COLOQUE DE NUEVO EL BOTELLON LLENO DE 3 LITROS. DEJE QUE EL AGUA SE NIVELE POR UN MINUTO.
  - ✍ ABRA LAS LLAVES PARA ASEGURARSE QUE EL AGUA SALE UNIFORMEMENTE. CIERRELAS INMEDIATAMENTE.
  - ✍ CONECTE EL ELECTRODOMESTICO A LA PARED.
  - ✍ AHORA SU ENFRIADOR ESTA LISTO PARA USAR.
  - ✍ PARA OBTENER AGUA FRIA, MUEVA EL INTERRUPTOR MARCADO "COLD" SITUADO EN LA PARTE TRASERA A LA POSICION "ON". LA LUZ VERDE SE ENCENDERA. CUANDO EL AGUA ALCANCE LA TEMPERATURA CORRECTA, SE APAGARA.
  - ✍ PARA OBTENER AGUA CALIENTE, MUEVA EL INTERRUPTOR MARCADO "HOT" SITUADO EN LA PARTE TRASERA A LA POSICION "ON". LA LUZ ROJA SE ENCENDERA. CUANDO EL AGUA ALCANCE LA TEMPERATURA CORRECTA, SE APAGARA.

### CONTROLES DE OPERACION

PARA ALCANZAR LA TEMPERATURA OPTIMA SE NECESITA APROXIMADAMENTE UNA HORA. PARA REPONER UN VASO DE AGUA DE 8 oz., SE NECESITAN APROXIMADAMENTE 25 MINUTOS O MENOS. PARA REPONER 2 (DOS) O MAS VASOS DE 8 oz. ESPERE APROXIMADAMENTE UNA HORA.

NOTA: SU ENFRIADOR FUE LIMPIADO Y ESTERILIZADO ANTES DE SALIR DE LA FABRICA. EN CASO QUE SIENTA ALGUN SABOR EN EL AGUA, ECHE UNA CUCHARADA DE BICARBONATO DE SODA Y AÑADA AGUA DE LA PILA. LLENE EL TANQUE Y REPITA LA OPERACION INICIAL.

### ADVERTENCIA

**EL USO INCORRECTO DEL CABLE A TIERRA PUEDE OCASIONAR UN CHOQUE ELECTRICO. SI EL CORDON ESTA DAÑADO, REEMPLACELO EN UN CENTRO DE SERVICIOS AUTORIZADO POR AVANTI PRODUCTS.**

### MANTENIMIENTO

- ✍ ANTES DE EFECTUAR LA LIMPIEZA, DESENCHUFE EL ENFRIADOR.
- ✍ PARA LIMPIAR LAS PARTES DE PLASTICO SE REQUIERE JABON LIQUIDO Y AGUA TIBIA. NO USE LIMPIADORES ABRASIVOS EN LA SUPERFICIE SUPERIOR NI EN LA BANDEJA DE ESCURRIMIENTO.

### SI NO VA A USAR EL ENFRIADOR POR UN TIEMPO PROLONGADO

- ✍ DESENCHUFE LA UNIDAD.
- ✍ quite el BOTELLON DE AGUA.
- ✍ COLOQUE LOS INTERRUPTORES (10) Y (11) (EN LA PARTE TRASERA) EN LA POSICION "OFF". (APAGADO)
- ✍ DRENE EL AGUA ABRIENDO LAS LLAVES.

☞ DRENE LA APERTURA EN EL FONDO QUITANDO LOS TAPONES (8) Y (9).

### **CENTRO DE SERVICIOS**

LA MAYORIA DE LOS PROBLEMAS SE RESUELVEN CON UNA SIMPLE LLAMADA TELEFONICA A NUESTRO NUMERO SIN CARGO.

**1-800-220-5570**

ANTES DE DEVOLVER EL PRODUCTO O PARA OBTENER LA DIRECCION Y NUMERO DE TELEFONO DEL CENTRO DE SERVICIO MAS CERCANO LLAME AL SIGUIENTE NUMERO.

**1-800-220-5570**

## **GUIA PARA RESOLVER PROBLEMAS**

<b>POSIBLES PROBLEMAS</b>	<b>CAUSA</b>
DERRAME DE AGUA POR FUERA DEL ENFRIADOR.	LA BOTELLA ESTA PERFORADA – REEMPLACELA.
EL AGUA NO ESTA SUFICIENTEMENTE FRIA.	VERIFIQUE QUE EL INTERRUPTOR (COLD) ESTE EN POSICION “ON”. NO DIO SUFICIENTE TIEMPO PARA QUE ENFRIE EL AGUA. PARA REPONER DOS O MAS VASOS DE 8 oz. SE NECESITA APROXIMADAMENTE UNA HORA.
EL AGUA NO ESTA SUFICIENTEMENTE CALIENTE.	VERIFIQUE QUE EL INTERRUPTOR (HOT) ESTE EN POSICION “ON”. NO DIO SUFICIENTE TIEMPO PARA QUE ENFRIE EL AGUA. PARA REPONER DOS O MAS VASOS DE 8 oz. SE NECESITA APROXIMADAMENTE UNA HORA.
EL ENFRIADOR NO ENFRIA O CALIENTA EL AGUA.	VERIFIQUE LOS CIRCUITOS, FUSIBLES O DISYUNTORES.
VIBRACIONES	VERIFIQUE QUE EL ENFRIADOR ESTE EN UN PISO FIRME Y NIVELADO.

**PRINTED IN CHINA**

## Free Manuals Download Website

<http://myh66.com>

<http://usermanuals.us>

<http://www.somanuals.com>

<http://www.4manuals.cc>

<http://www.manual-lib.com>

<http://www.404manual.com>

<http://www.luxmanual.com>

<http://aubethermostatmanual.com>

Golf course search by state

<http://golfingnear.com>

Email search by domain

<http://emailbydomain.com>

Auto manuals search

<http://auto.somanuals.com>

TV manuals search

<http://tv.somanuals.com>