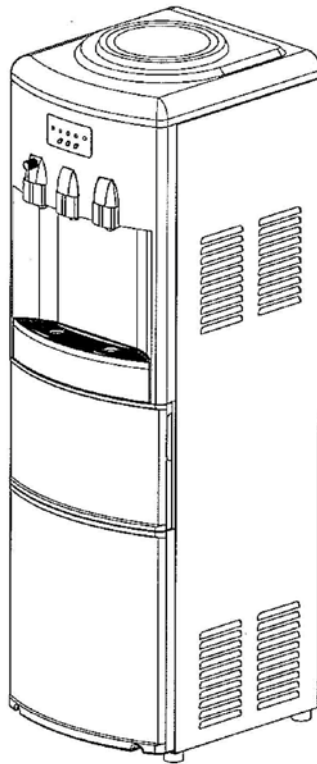




INSTRUCTION MANUAL

Model Number: WID260P

Water Dispenser with Ice Maker



BEFORE USE, PLEASE READ AND FOLLOW ALL SAFETY RULES AND OPERATING INSTRUCTIONS.

Avanti has a policy of continuous improvement on its products and reserves the right to change materials and specifications without notice.

Avanti Products
P.O. Box 520604 - Miami, Florida 33152
www.avantiproducts.com

Table of Contents

Help Us Help You	4
Parts and Features / Control and Display Panel	5
Important Safety Instructions	6
Installation Instructions	6
Electrical Connection	6
Initial Product Set-Up	7
Before using your Water Dispenser	7
Water Bottle Placement / Replacement	8
Operating Your Water Dispenser	8
Control and Display Panel	8
Hot Water Operation	9
Child Safety Guard on the Hot Water Faucet	9
Cold Water Operation	10
Ice-Maker Operation	11
Care and Maintenance	12
Taking the Dispenser Out of Service	12
Troubleshooting Guide	12
Service for Your Water Dispenser	13
Wiring Diagram	13
Your Avanti Products Warranty	14
Registration Information and Registration Card	15

HELP US HELP YOU

Read this guide carefully.

It is intended to help you operate and maintain your new water dispenser properly.

Keep it handy to answer your questions. If you don't understand something or you need more assistance please call:

Avanti Customer Service

800-220-5570

Keep proof of original purchase date (such as your sales slip) with this guide to establish the warranty period.

Write down the model and serial numbers.

You'll find them on a label located on the back side of the unit.

Please write these numbers here:

Date of Purchase

Model Number

Serial Number

Use these numbers in any correspondence or service calls concerning your water dispenser.

If you received a damaged water dispenser, immediately contact the dealer (or builder) that sold you the water dispenser.

Save time and money. Before you call for service, check the Trouble Shooting Guide. It lists causes of minor operating problems that you can correct yourself.

IF YOU NEED SERVICE

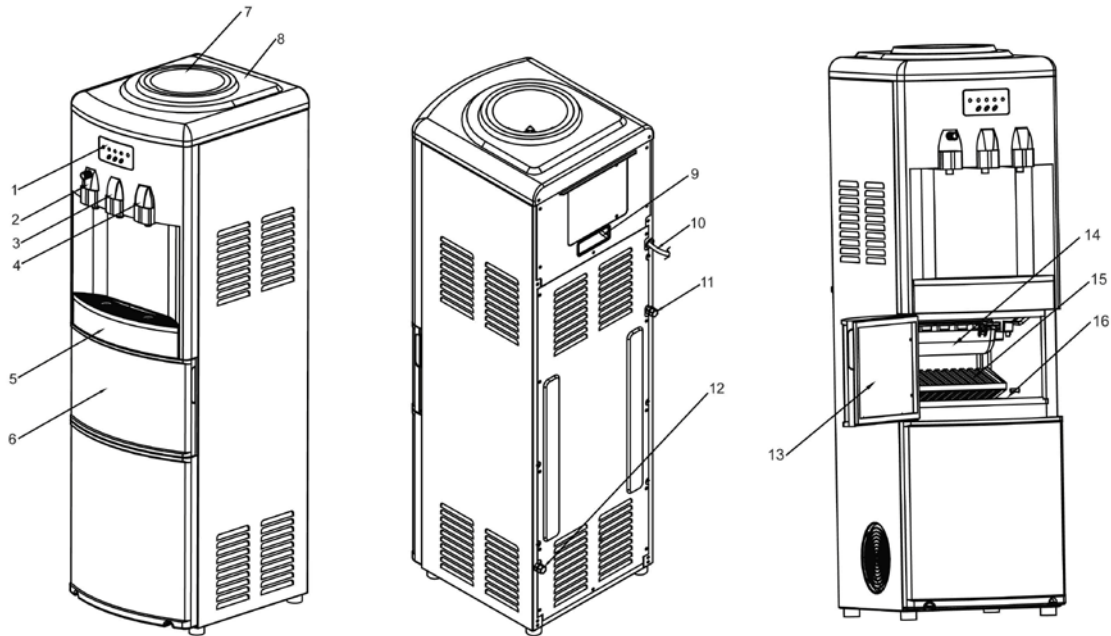
We're proud of our service and want you to be pleased. If for some reason you are not happy with the service you receive, here are some steps to follow for further assistance.

FIRST, contact the people who serviced your appliance. Explain why you are not pleased. In most cases, this will solve the problem.

NEXT, if you are still not pleased, write all the details, including your telephone number, and send it to:

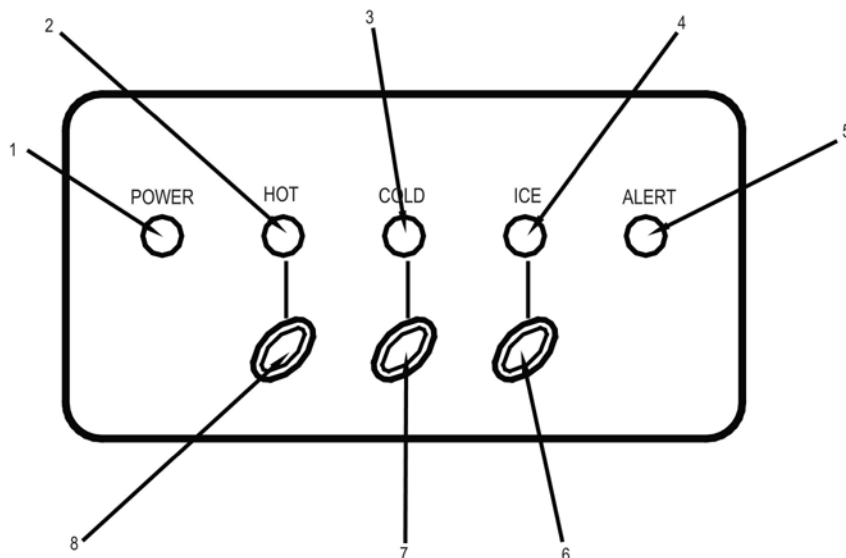
**Customer Service
Avanti Products
10880 NW 30 Street
Miami, FL 33172**

PARTS AND FEATURES



1	Control Panel	9	Handle
2	Hot Water Faucet with Child Safety Lock	10	Power Cord
3	Room Temperature Faucet	11	Hot Water Drain with Cap
4	Cold Water Faucet	12	Ice-Maker Drain with Cap
5	Water Drip Tray	13	Ice Maker – Compartment Door
6	Ice Maker Compartment	14	Ice Maker Mechanism
7	Water Inlet	15	Ice / Water Separator
8	Top	16	Ice Bin

Control and Display Panel



1	Power Indicator Light (Green)	5	Alert Indicator Light (Red)
2	Hot Water Indicator Light (Red)	6	Ice Maker ON / OFF Button
3	Cold Water Indicator Light (Blue)	7	Cold Water ON / OFF Button
4	Ice Maker Indicator Light (Blue)	8	Hot Water ON / OFF Button

Important Safety Instructions

⚡ WARNING ⚡	To reduce the risk of fire, electrical shock, or injury when using your appliance, follow these basic precautions:
<ul style="list-style-type: none">• Read all instructions before using the water dispenser.• Never clean parts with flammable fluids. The fumes can create a fire hazard or explosion.• Do not store or use gasoline or any other flammable vapors and liquids in the vicinity of this or any other water dispenser. The fumes can create a fire hazard or explosion. <p style="text-align: center;">-Save these instructions-</p>	

INSTALLATION GUIDELINES

- Remove the exterior and interior packing.
- Place your appliance on a floor that is strong enough to support the dispenser when it is fully loaded. The unit is provided with four plastic feet, if it does not sit level on the floor, adjust the front feet to level the unit well to the floor.
- Locate the appliance away from direct sunlight and sources of heat (stove, heater, radiator, etc.). Direct sunlight may affect the acrylic coating and heat sources may increase electrical consumption. Extreme cold ambient temperatures may also cause the appliance not to perform properly.
- Allow 2 inches of space between the water dispenser and the wall, which allows for proper air circulation to cool the compressor.
- Plug the appliance into an exclusive properly installed-grounded wall outlet. Do not cut or remove the third (ground) prong from the power cord under any circumstances. Any questions concerning power and/or grounding should be directed toward a certified electrician or an authorized Avanti Products service center.
- This water dispenser is not recommended for outdoor use.
- Do not locate the dispenser in area where the temperature may fall below freezing (32° F).
- Keep area around dispenser free of dust and dirt.
- Keep the reserve supply of water bottles away from excessive heat and light.
- Never unplug the water cooler, except for maintenance.

Electrical Connection

This appliance should be properly grounded for your safety. The power cord of this appliance is equipped with a three-prong plug which mates with standard three prong wall outlets to minimize the possibility of electrical shock.

Plug the appliance into an exclusive properly installed-grounded wall outlet. Do not under any circumstances cut or remove the third (ground) prong from the power cord. Any questions concerning power and or grounding should be directed toward a certified electrician or an authorized Avanti Products service center.

This appliance requires a standard 115/120-volt. 60Hz electrical outlet with three-prong ground.

The cord should be secured behind the appliance and not left exposed or dangling to prevent accidental injury.

Do not use an adapter plug with this appliance.

Do not use an extension cord with this appliance. If the power cord is too short, have a qualified electrician or service technician install an outlet near the appliance.

⚡ WARNING ⚡

IMPROPER USE OF THE GROUNDED PLUG CAN RESULT IN THE RISK OF ELECTRICAL SHOCK. IF THE POWER CORD IS DAMAGED, HAVE IT REPLACED BY AN AUTHORIZED AVANTI PRODUCTS SERVICE CENTER.

INITIAL PRODUCT SET-UP

Before Using Your Water Dispenser

- Check to be sure the following parts are included:
 - Instruction manual
 - Plastic Ice Scoop
- Before connecting the appliance to the power source, let it stand upright for approximately 2 hours. This will reduce the possibility of a malfunction in the cooling system from handling during transportation.
- The water dispenser is pre-cleaned at the factory but the reservoir and water lines must be flushed with fresh water before use as follows:
- Keep the unit unplugged.
- Fill water tank with tap water full to capacity. Wait for 5 minutes until water settles.
- Turn the child safety button then push the hot water faucet until water comes out, then stop.
- Plug the dispenser into the electrical outlet. We are ready to complete the first cycle. In order to do that, wait for the hot water to reach temperature in approximately 10 minutes, and then wait for the cold to reach temperature (another 40 minutes, approximately).
- Unplug the dispenser from the electrical outlet. Proceed to drain the water from the faucets one at a time until no more water remains.
(Note: To facilitate this operation, use a large container).
- Then, drain any water left in the tanks by opening the drain plug located on the back, until it drains completely.
- Proceed to close the drain cap.
- Remove the cap from the 3 or 5-gallon bottle and use a clean cloth to wipe off the neck of the bottle.
- Place the 3 or 5-gallon bottle of water on the water intake, allow water to stand for approximately one minute.
- Push water faucet buttons to insure water flows from each of the faucets.
- Plug dispenser back into the electrical outlet.
- Now you are ready to use your water dispenser.

NOTE: Your water dispenser has been cleaned and sanitized before leaving the factory, but in case a taste problem develops, place two tablespoons of baking soda and add tap water. Fill water tank again and repeat basic operations previously outlined, except turn hot water function "OFF" to avoid leaving residues in hot water tank.

ATTENTION:

If you do not plan to use the water heating function for more than three days, we recommend that you turn off the hot water function.

WATER BOTTLE PLACEMENT / REPLACEMENT

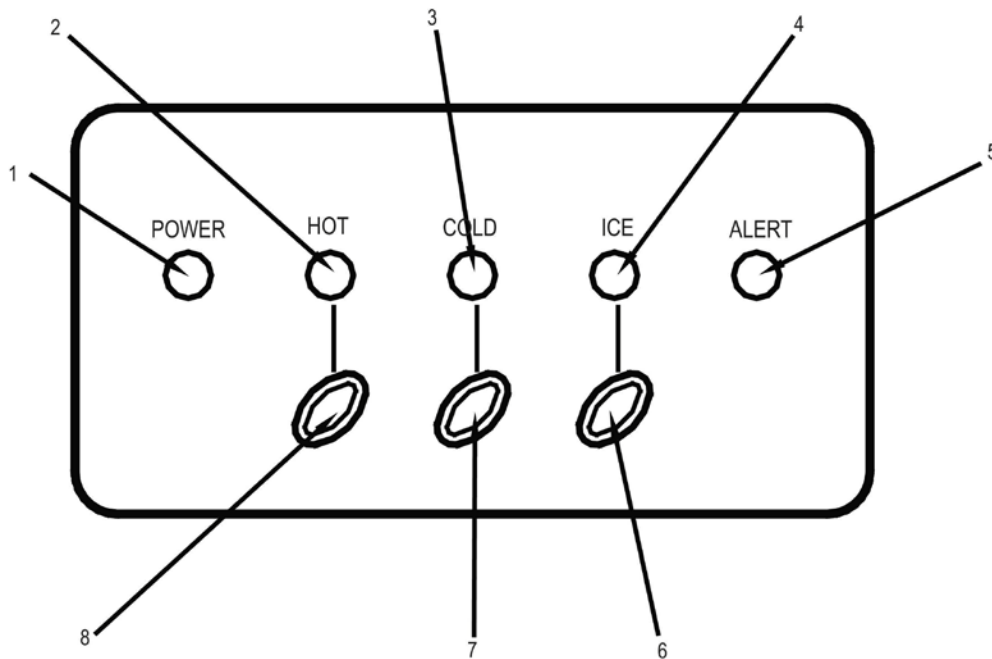
When a new bottle is installed you must open the hot water faucet and remove no less than 4 full cups of water to insure the water flows properly and the water reservoir is at the proper level.

Steps To Replace Water Bottles

- Remove cap.
- Use a clean cloth to wipe off neck of bottle.
- Carefully lift bottle (approx. 40 lbs.) using your legs and not your back. Do not place hands on opening of bottle while placing in reservoir.
- Insert the water bottle on the water intake over reservoir opening so it settles properly on it.
- Wipe off any water which may have splashed on dispenser top.
- When a new bottle is installed you must open the hot water faucet and remove no less than 4 full cups of water to insure the water flows properly and the water reservoir is at the proper level.

OPERATING YOUR WATER DISPENSER

Control and Display Panel

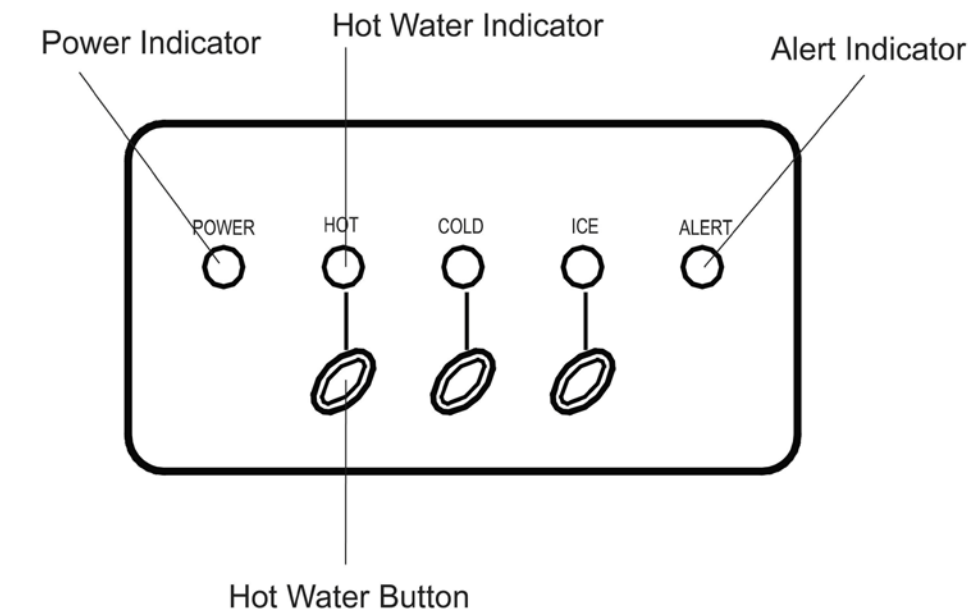


1	Power Indicator Light (Green)	5	Alert Indicator Light (Red)
2	Hot Water Indicator Light (Red)	6	Ice Maker ON / OFF Button
3	Cold Water Indicator Light (Blue)	7	Cold Water ON / OFF Button
4	Ice Maker Indicator Light (Blue)	8	Hot Water ON / OFF Button

After plugging the unit into the main power outlet, the POWER indicator light (Green) on the control panel will light up.

Prior to operation of the unit, please be sure to fill with water and make sure the water settles inside the water tank, and then press the Hot, Cold, and or Ice ON / OFF buttons as desired.

➤ **Hot Water Operation**



- Press the hot water button (see figure above).
- The RED hot water indicator above the button will start blinking, this means the heating element has started to work.
- When the RED indicator light reached a solid glow it means the hot water has reached the desired temperature.

CAUTION:

If there is no hot water left the first time around or if you have drained all of the water out etc, the ALERT beep will sound 10 times and the RED ALERT indicator will be lit.

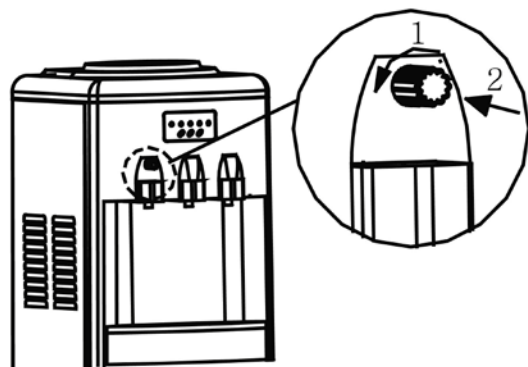
Replace the water bottle and proceed with the hot water function operation.

If you do not want hot water, press the hot water button (see figure above) one more. The RED hot water indicator will be off.

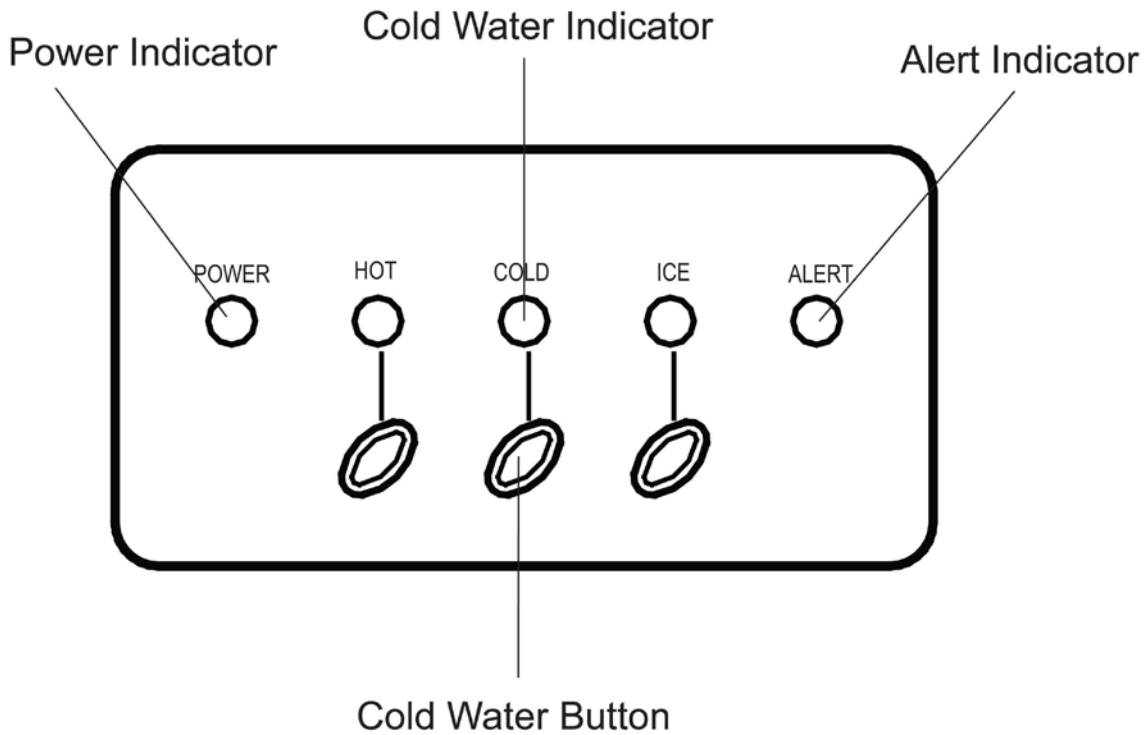
NOTE:
THE HOT WATER FAUCET HAS A CHILD-SAFETY GUARD ATTACHMENT.

To get hot water:

- ◆ Rotate the Child-Safety Lock counter clockwise then push the Hot water faucet inward to dispense.
- ◆ Safety button will return to its original position when faucet is released.

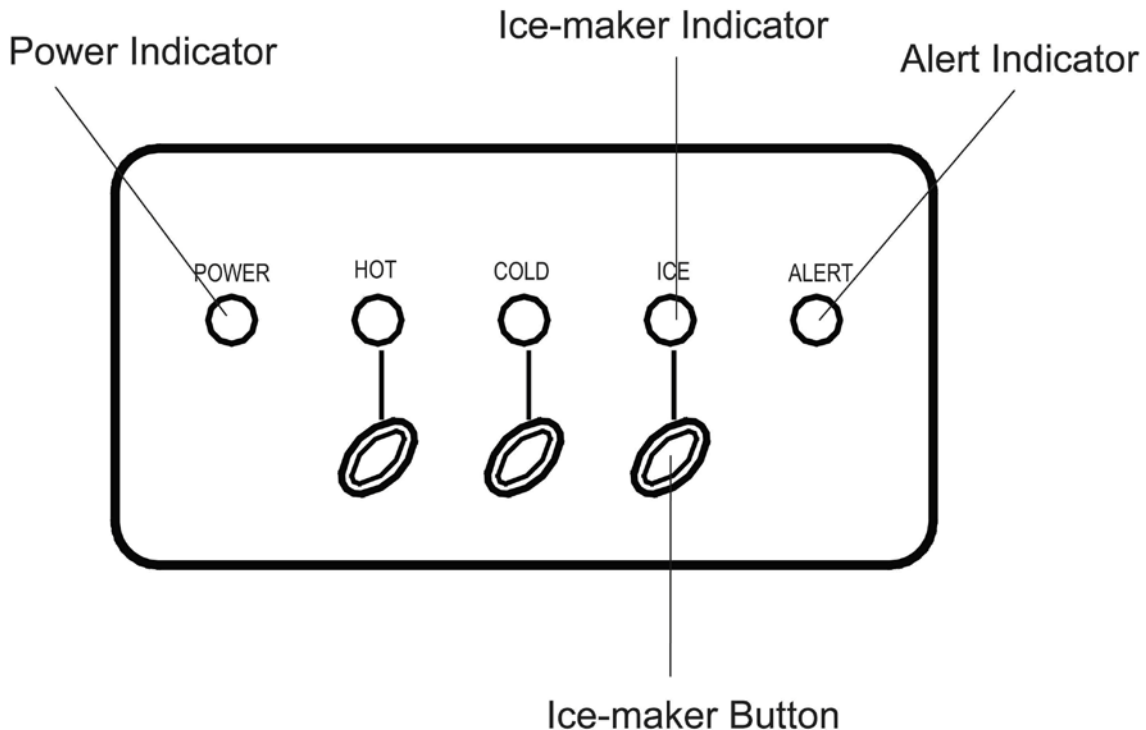


➤ Cold Water Operation



- Press the cold water button (see figure above) to turn ON the cooling cycle.
- When the cooling system is ON, the BLUE cold water indicator light above the button (see figure above) will start blinking which indicates the cooling cycle is operating
- When this indicator reaches a solid glow it means the cold water has reached the desired temperature.
- The cooling system will continue cycling ON and OFF to maintain the water in the tank at the appropriate temperature.

➤ **Ice Maker Operation**



- Press the ice-maker button (see figure above) to begin the ice-making cycle.
- When the cooling system is on, the BLUE ice indicator light above the button (see figure above) will start blinking which indicated the ice-making cycle is operating.
- The ice-maker will produce ice every 7 to 15 minutes depending on the ambient temperature of the room.
- While the ice-making process is ON, the unit will periodically verify the water level.
- If there is not enough water to make ice, the ice-maker will stop automatically and the RED ALERT indicator (see figure above) will glow.
- Once the ice-maker detects the ice compartment is full, the ice indicator light (see figure above) will automatically change from blinking to constantly lit.
- To remove the ice, open the ice-maker door and using the ice scoop (included) remove the amount of ice as desired.
- For the most efficient operation of the ice-making process, turn the hot water button (see figure above) temporarily OFF until needed.

NOTE:

When you turn on the cold water and ice-making operations at the same time, you should wait several minutes to let the water temperature in the cold tank go down to the set temperature first, then the unit will switch to ice-making operation automatically.

If the cold water temperature goes up again or you drink the cold water from the cold water faucet, the unit will switch to cold water operation again after the present ice-making cycle has finished.

CARE AND MAINTENANCE

- Wash the inside of the reservoir with a warm water and baking soda solution. The solution should be about 2 tablespoons of baking soda to a quart of water. (Turn off the hot water function).
- The drip tray and water faucets should be cleaned with mild detergent and warm water.
- At regular intervals or once a month inspect the coils located across the back of the dispenser. Vacuum accumulation of dust or clean it with a hard brush.

TAKING DISPENSER OUT OF SERVICE

- If the water dispenser will not be used for a long period of time, unplug the power cord from the wall outlet.
- Turn off the hot water.
- Drain the water through the faucets.
- Drain the water from the tanks by removing the plug from the back of the dispenser.

WARNING—THE WATER COMING OUT OF THE BACK MAY BE SCOLDING HOT.

- Unit should NOT be transported on its side. Place it upright if possible and cover it with a blanket.

PROBLEMS WITH YOUR WATER DISPENSER?

You can solve many common water dispenser problems easily, saving you the cost of a possible service call. Try the suggestions outlined below to see if you can solve the problem before calling the servicer.

TROUBLESHOOTING GUIDE

PROBLEM	POSSIBLE CAUSE
Water dispenser does not operate.	Not plugged in. The circuit breaker tripped or a blown fuse.
Water cooler is not cold enough.	Check to be sure the cold switch on the back is ON. The water dispenser does not have the correct clearances.
Water dispenser hot water is not hot enough.	Check to be sure the hot switch on the back is ON.
Compressor turns on and off frequently.	The room temperature is hotter than normal. The temperature control is not set correctly. The water dispenser does not have the correct clearances.
Vibrations.	Check to assure that the water dispenser is level.
The water dispenser seems to make too much noise.	The rattling noise may come from the flow of the refrigerant, which is normal. As each cycle ends, you may hear gurgling sounds caused by the flow of refrigerant in your water dispenser. Contraction and expansion of the inside walls may cause popping and crackling noises. The water dispenser is not level.
Bottle feels warm.	The water system is overfilled. Dispense Cold water until air is released into the bottle.
Water bottle is hot.	Water is boiling in the hot tank and bubbling up into the bottle. Press the hot dispenser button until water flows to remove air from the hot tank.

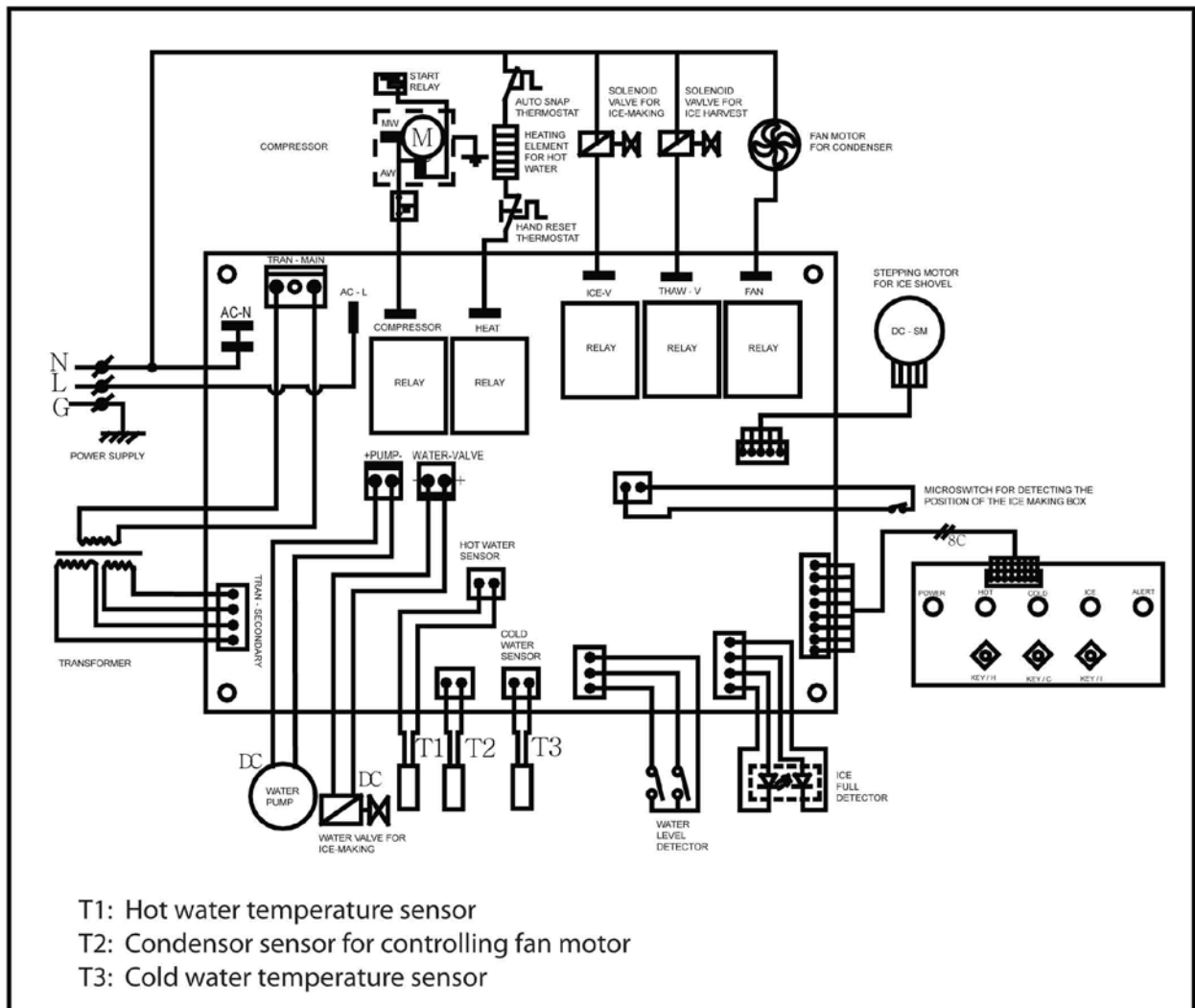
SERVICE FOR YOUR WATER DISPENSER

We are proud of our customer service organization and the network of professional service technicians that provide service on your Avanti appliances. With the purchase of your Avanti appliance, you can be confident that if you ever need additional information or assistance, the Avanti Products Customer Service Team will be here for you. Just call us toll-free.

AVANTI PRODUCTS CUSTOMER SERVICES

Product Information 800-323-5029	Whatever your questions are about our products, help is available.
Part Orders 800-220-5570	You may order parts and accessories that will be delivered directly to your home, by personal check, money order, Master Card, or Visa.
In-Home Repair Service 800-220-5570	An Avanti Products authorized service center will provide expert repair service, scheduled at a time that is convenient for you. Our trained servicers know your appliance inside and out.

WIRING DIAGRAM



WHAT IS COVERED
LIMITED ONE-YEAR
WARRANTY

For one year from the date of purchase by the original owner, Avanti Products will, at its option, repair or replace any part of the appliance which proves to be defective in material or workmanship under normal use. During this period Avanti Products will provide all parts and labor necessary to correct such defects free of charge, so long as the appliance has been installed and operated in accordance with the written instructions in this manual. Avanti Products will provide you with a reasonably similar replacement product that is either new or factory refurbished. In rental or commercial use, the warranty period is 90 days.

LIMITED SECOND THROUGH
FIFTH YEAR WARRANTY

For the second through the fifth year from date of original purchase, Avanti Products will provide a replacement compressor free of charge due to a failure. You are responsible for the service labor and freight charges. In rental or commercial use, the limited compressor warranty is one year and nine months. Cost to move the appliance to the servicers' shop and back to the users' home, as may be required, are the users' responsibility.

WHAT IS NOT COVERED

- Incidental or consequential damages.
- Parts and labor costs for the following will not be considered as warranty:
 - Light bulbs and/or plastic housing.
 - Plastic cabinet liners.
 - Punctured evaporator that voids the warranty on the complete sealed system.
 - Replacement of house fuses or resetting circuit breakers.
 - Shipping and handling costs associated with the replacement of the unit.
- Repairs performed by unauthorized servicers.
- Surcharges including, but not limited to, any after hour, weekend, or holiday service calls, tolls, ferry trip charges, or mileage expense for service calls to remote areas, including the State of Alaska.
- Service calls that do not involve defects in material or workmanship such as customer education, or improper installation.
- Service calls that are related to external problems, such as abuse, misuse, inadequate electrical power, accidents, fire, floods, or acts of God.
- Failure of the product if it is used for other than its intended purpose.
- This warranty does not apply outside the continental U.S.A.

Registration Information

Thank you for purchasing this fine Avanti product. Please fill out this card and return it within 100 days of purchase and receive these important benefits:

➤ **Protect your product:**

We will keep the model number and date of purchase of your new Avanti product on file to help you refer to this information in the event of an insurance claim such as fire or theft.

➤ **Promote better products:**

We value your input. Your responses will help us develop products designed to best meet your future needs.

------(detach here)-----

Avanti Registration Card

Name	Model #	Serial #
Address	Date Purchased	Store/Dealer Name
City State Zip	Occupation	
Area Code Phone Number	<u>As Your Primary Residence, Do You:</u> <input type="checkbox"/> Own <input type="checkbox"/> Rent	
<u>Did You Purchase An Additional Warranty:</u> <input type="checkbox"/> Extended <input type="checkbox"/> None	<u>Your Age:</u> <input type="checkbox"/> under 18 <input type="checkbox"/> 18-25 <input type="checkbox"/> 26-30 <input type="checkbox"/> 31-35 <input type="checkbox"/> 36-50 <input type="checkbox"/> over 50	
<u>Reason For Choosing This Avanti Product:</u> Please indicate the most important factors that influenced your decision to purchase this product. <input type="checkbox"/> Price <input type="checkbox"/> Product Features <input type="checkbox"/> Avanti Reputation <input type="checkbox"/> Product Quality <input type="checkbox"/> Salesperson Recommendation <input type="checkbox"/> Friend/Relative Recommendation <input type="checkbox"/> Warranty <input type="checkbox"/> Other _____	<u>Marital Status:</u> <input type="checkbox"/> Married <input type="checkbox"/> Single <u>Is This Product Used In The:</u> <input type="checkbox"/> Home <input type="checkbox"/> Business <u>How Did You Learn About This Product:</u> <input type="checkbox"/> Advertising <input type="checkbox"/> In Store Demo <input type="checkbox"/> Personal Demo <input type="checkbox"/> Other _____ Comments _____ _____ _____	

PRINTED IN CHINA

Free Manuals Download Website

<http://myh66.com>

<http://usermanuals.us>

<http://www.somanuals.com>

<http://www.4manuals.cc>

<http://www.manual-lib.com>

<http://www.404manual.com>

<http://www.luxmanual.com>

<http://aubethermostatmanual.com>

Golf course search by state

<http://golfingnear.com>

Email search by domain

<http://emailbydomain.com>

Auto manuals search

<http://auto.somanuals.com>

TV manuals search

<http://tv.somanuals.com>