



AXIS 211M
Network Camera
Installation Guide

ENGLISH

FRANCAIS

DEUTSCH

ITALIANO

ESPAÑOL

AXIS 211M Installation Guide

This installation guide provides instructions for installing the AXIS 211M Network Camera on your network. For all other aspects of using the product, please see the User's Manual, available on the CD included in this package, or from www.axis.com/techsup

Installation steps

1. Check the package contents against the list below.
2. Hardware overview. See page 4.
3. Install the hardware. See page 5.
4. Assign an IP address. See page 6.
5. Set the password. See page 9.
6. Adjust the focus. See page 10.

Important!
This product must be used in compliance with local laws and regulations.

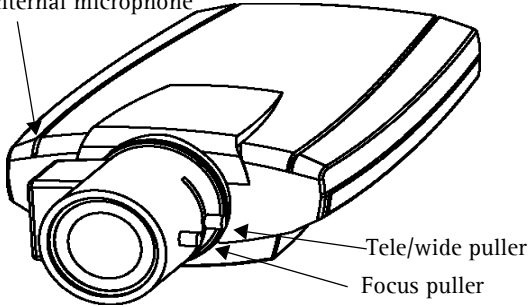
ENGLISH

1 Package contents

Item	Models/variants/notes
Network camera	AXIS 211M
PS-K indoor power supply (country specific)	Europe UK Australia USA/Japan Argentina Korea
Terminal block connector	4-pin connector block for connecting external devices to the I/O terminal connector
Camera stand	Supplied with mounting screws
CD	AXIS Network Video Product CD, including product documentation, installation tools and other software
Printed Materials	AXIS 211M Installation Guide (this document) Axis Warranty Document

2 Hardware overview

Status indicator &
Internal microphone

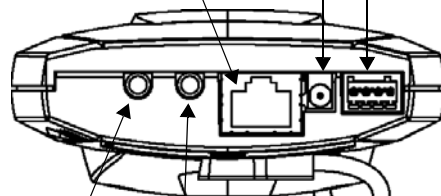


I/O terminal
connector

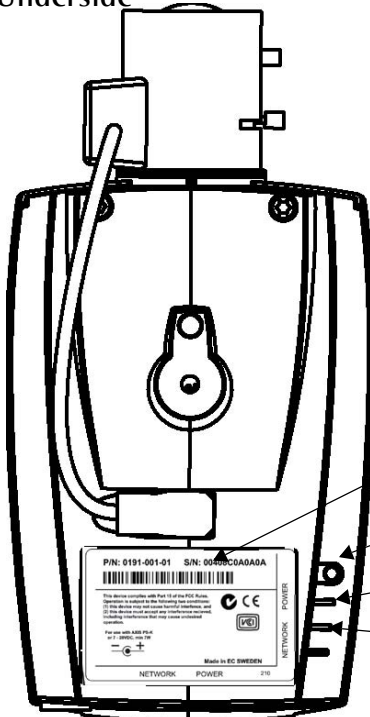
Power
connector

Rear panel

Network
connector



Underside



Dimensions

HxWxD = 44 x 88 x 172mm (1.7" x3.5" x 6.8")

Weight =244g (0.5 lb) (power supply not included)

3 Install the hardware

IMPORTANT! - The AXIS 211M is designed for indoor and outdoor use. To use the camera outdoors, it must be installed in an approved outdoor housing. Please see www.axis.com for more information on outdoor housings.

Connect the cables



1. Connect the camera to the network using a shielded network cable.
2. Optionally connect external input/output devices, e.g. alarm devices. See page 12 for information on the terminal connector pins.
3. Connect power, using one of the methods listed below:
 - The supplied power connector.
 - PoE (Power over Ethernet). If available, this is automatically detected when the network cable is connected (see above).
 - Connect power via the terminal connector. See page 12 for information on the terminal connector pins.
4. Check that the indicator LEDs indicate the correct conditions. See the table on page 13 for further details. Note that some LEDs can be disabled and may be unlit.

4 Assign an IP address

Most networks today have a DHCP server that automatically assigns IP addresses to connected devices. If your network does not have a DHCP server the AXIS 211M will use 192.168.0.90 as the default IP address.

If you would like to assign a static IP address the recommended method in Windows is either **AXIS IP Utility** or **AXIS Camera Management**. Depending on the number of cameras you wish to install, use the method that best suits your purpose.

Both of these free applications are available on the Axis Network Video Product CD supplied with this product, or they can be downloaded from www.axis.com/techsup

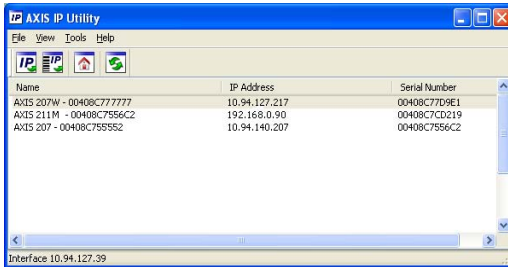
Method	Recommended for	Operating system
 AXIS IP Utility See page 7	Single camera Small installations	Windows
 AXIS Camera Management See page 8	Multiple cameras Large installations Installation on a different subnet	Windows 2000 Windows XP Pro Windows 2003 Server

Notes:

- If assigning the IP address fails, check that there is no firewall blocking the operation.
- For other methods of assigning or discovering the IP address of the AXIS 211M, e.g. in other operating systems, see page 11.

AXIS IP Utility - single camera/small installation

AXIS IP Utility automatically discovers and displays Axis devices on your network. The application can also be used to manually assign a static IP address.




Note that the computer running AXIS IP Utility must be on the same network segment (physical subnet) as the AXIS 211M.

Automatic discovery

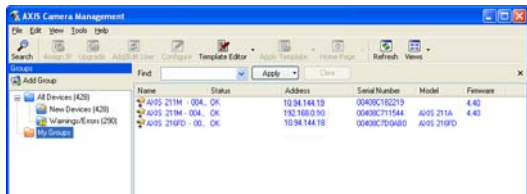
1. Check that the AXIS 211M is connected to the network and that power has been applied.
2. Start AXIS IP Utility.
3. When the camera appears in the window, double-click it to open its home page.
4. See page 9 for instructions on how to assign the password.

Assign the IP address manually

1. Acquire an unused IP address on the same network segment as your computer.
2. Click the button  **Assign new IP address using serial number** and enter the serial number and IP address for the AXIS 211M. The serial number is located on the product label.
3. Click the **Assign** button and follow the instructions.
4. Click the **Home Page** button to access the camera's web pages.
5. See page 9 for instructions on how to set the password.

AXIS Camera Management – multiple cameras/large installations

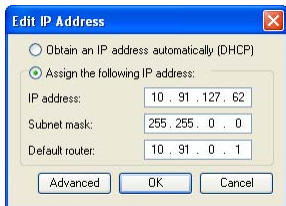
AXIS Camera Management can automatically discover multiple Axis devices, show connection status, manage firmware upgrades and set IP addresses.




Automatic discovery

1. Check that the camera is connected to the network and that power has been applied.
2. Start AXIS Camera Management. When the AXIS 211M appears in the window, double-click it to open the camera's home page.
3. See page 9 for instructions on how to set the password.

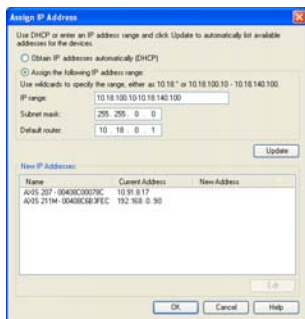
Assign an IP address in a single device




1. Select AXIS 211M in AXIS Camera Management and click the Assign IP button. 
2. Select Assign the following IP address and enter the IP the subnet mask and default router the device will use.
3. Click the OK button.

Assign IP addresses in multiple devices

AXIS Camera Management speeds up the process of assigning IP addresses to multiple devices, by suggesting IP addresses from a specified range.



1. Select the devices you wish to configure (different models can be selected) and click the Assign IP button. 
2. Select Assign the following IP address range and enter the range of IP addresses, the subnet mask and default router the devices will use.
3. Click the OK button.

5 Set the password

When accessing the AXIS 211M for the first time, the 'Configure Root Password' dialog will be displayed.



1. Enter a password and then re-enter it, to confirm the spelling. Click OK.
2. Enter the user name root in the dialog as requested.
Note: The default administrator user name root cannot be deleted.
3. Enter the password as set above, and click OK. If the password is lost, the AXIS 211M must be reset to the factory default settings. See page 14.
4. If required, click Yes to install AMC (AXIS Media Control), which allows viewing of the video stream in Internet Explorer. You will need administrator rights on the computer to do this.

The Live View page of the AXIS 211M is displayed, with links to the Setup tools, which allow you to customize the camera.

Setup - Provides all the tools for configuring the camera to requirements.



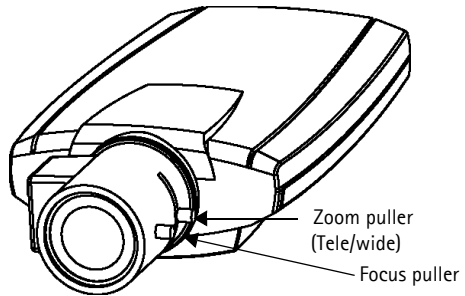
Help - Displays online help on all aspects of using the camera.

ENGLISH

6 Adjust the image and focus

To focus the AXIS 211M follow the instructions below.

1. From the Basic Configuration page in the setup tools, open the Focus adjustment page.
2. Set the DC-Iris to *Disabled* and click Save.
3. Unscrew the zoom puller on the lens by turning it anti-clockwise. Adjust the zoom setting as required. Retighten the zoom puller.
4. Unscrew the focus puller on the lens. Adjust the focus as required. Retighten the focus puller.
5. From the Focus adjustment page, set the DC-Iris to *Enabled* and click Save.



Note: The DC-Iris should always be disabled while focusing the camera. This opens the iris to its maximum, which gives the smallest depth of field and thus the best conditions for correct focusing. When the focus is set with this method it will then be maintained in any light conditions.

Accessing the AXIS 211M from the Internet

Once installed, your AXIS 211M is accessible on your local network (LAN). To access the camera from the Internet, network routers must be configured to allow incoming traffic, which is usually done on a specific port. Please refer to the documentation for your router for further instructions. For more information on this and other topics, visit the Axis Support Web at www.axis.com/techsup

Other methods of setting the IP address

The table below shows the other methods available for setting or discovering the IP address. All methods are enabled by default, and all can be disabled.

	Use in operating system	Notes
UPnP™	Windows (ME or XP)	When enabled on your computer, the camera is automatically detected and added to "My Network Places."
Bonjour	MAC OSX (10.4 or later)	Applicable to browsers with support for Bonjour. Navigate to the Bonjour bookmark in your browser (e.g. Safari) and click on the link to access the camera's web pages.
AXIS Dynamic DNS Service	All	A free service from Axis that allows you to quickly and simply install your camera. Requires an Internet connection with no HTTP proxy. See www.axiscam.net for more information.
ARP/Ping	All	See below. The command must be issued within 2 minutes of connecting power to the camera.
View DHCP server admin pages	All	To view the admin pages for the network DHCP server, see the server's own documentation.

Set the IP address with ARP/Ping

1. Acquire an IP address on the same network segment your computer is connected to.
2. Locate the serial number (S/N) on the AXIS 211M label.
3. Open a command prompt on your computer and enter the following commands:

Windows syntax	Windows example
<pre>arp -s <IP Address> <Serial Number> ping -l 408 -t <IP Address></pre>	<pre>arp -s 192.168.0.125 00-40-8c-18-10-00 ping -l 408 -t 192.168.0.125</pre>
UNIX/Linux/Mac syntax	UNIX/Linux/Mac example
<pre>arp -s <IP Address> <Serial Number> temp ping -s 408 <IP Address></pre>	<pre>arp -s 192.168.0.125 00:40:8c:18:10:00 temp ping -s 408 192.168.0.125</pre>

4. Check that the network cable is connected to the camera and then start/restart the camera, by disconnecting and reconnecting power.
5. Close the command prompt when you see 'Reply from 192.168.0.125: ...' or similar.
6. In your browser, type in `http://<IP address>` in the Location/Address field and press Enter on your keyboard.

Notes:

- To open a command prompt in Windows: from the Start menu, select Run... and type cmd. Click OK.
- To use the ARP command on a Mac OS X, use the Terminal utility in Application > Utilities.

Unit connectors

Network connector - RJ-45 Ethernet connector. Supports Power over Ethernet. Using shielded cables is recommended.

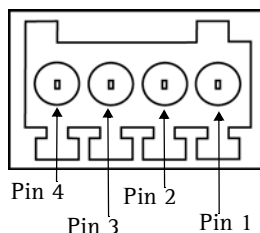
Power connector - Mini DC connector. 7-20V DC, max 5W. See product label for \pm connection.

Audio in - 3.5mm input for a mono microphone, or a line-in mono signal (left channel is used from a stereo signal).

Audio out - Audio output (line level) that can be connected to a public address (PA) system or an active speaker with a built-in amplifier. A pair of headphones can also be attached. A stereo connector must be used for the audio out.

I/O terminal connector - Used in applications for e.g. motion detection, event triggering, time lapse recording and alarm notifications. It provides the interface to:

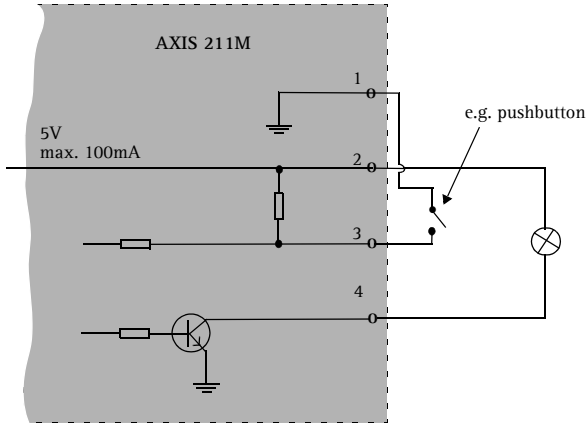
- 1 transistor output - For connecting external devices such as relays and LEDs. Connected devices can be activated by AXIS VAPIX AP, output buttons on the Live View page or by an Event Type. The output will show as active (shown under Event Configuration > Port Status) if the alarm device is activated.
- 1 digital input - An alarm input for connecting devices that can toggle between an open and closed circuit, for example: PIRs, door/window contacts, glass break detectors, etc. When a signal is received the state changes and the input becomes active (shown under Event Configuration > Port Status).
- Auxiliary power and GND



Terminal connector. Note that the pins are numbered 1-4, right to left.

Function	Pin number	Notes	Specifications
GND	1		
5VDC Power	2	Can be used as an alternative power supply (7-20VDC) or to power auxiliary equipment +5VDC (100mA).	Max load = 100mA
Digital Input	3	Connect to GND to activate, or leave floating (or unconnected) to deactivate.	Must not be exposed to voltages greater than 20VDC
Transistor Output	4	Connects to GND when activated. If used with an external relay, a diode must be connected in parallel with the load for protection against voltage transients.	Max load = 100mA Max voltage = 24VDC (to the transistor)

Connection diagram



ENGLISH

LED indicators

LED	Color	Indication
Network	Green	Steady for connection to a 100 Mbit/s network. Flashes for network activity.
	Amber	Steady for connection to 10 Mbit/s network. Flashes for network activity.
	Unlit	No network connection.
Status	Green	Steady green for normal operation. Note: The Status LED can be configured to be unlit during normal operation, or to flash only when the camera is accessed. To configure, go to Setup > System Options > LED settings . See the online help files for more information.
	Amber	Steady during startup, during reset to factory default or when restoring settings.
	Red	Slow flash for failed upgrade.
Power	Green	Normal operation.
	Amber	Flashes green/amber during firmware upgrade.

Resetting to the Factory Default Settings

This will reset all parameters, including the IP address, to the Factory Default settings:

1. Disconnect power from the camera.
2. Press and hold the Control button for 15 seconds and reconnect power.
3. Keep the button pressed until the Status Indicator displays amber (this may take up to 15 seconds), then release button.
4. When the status indicator displays green (which can take up to 1 minute) the camera is reset to the factory default settings.
5. Re-assign the IP address, using one of the methods described in this document.

It is also possible to reset parameters to the original factory default settings via the web interface. For more information, please see the online help or the user's manual.

Further information

The user's manual is available from the Axis Web site at www.axis.com or from the Axis Network Video Product CD supplied with this product.

Tip!

Visit www.axis.com/techsup to check if there is updated firmware available for your AXIS 211M. To see the currently installed firmware version, see the Basic Configuration web page in the product's Setup tools.

AXIS 211M

Guide d'installation

Ce Guide d'installation vous explique comment installer l'appareil Caméra réseau AXIS 211M sur votre réseau. Pour d'autres informations sur l'utilisation de ce produit, consultez le Manuel de l'utilisateur, disponible sur le CD fourni ou sur www.axis.com/techsup.

Étapes de l'installation

1. Vérifiez le contenu de la livraison à l'aide de la liste ci-dessous.
2. Présentation du matériel. Reportez-vous à la page 16.
3. Installation du matériel. Reportez-vous à la page 17.
4. Attribution d'une adresse IP. Reportez-vous à la page 18.
5. Définissez le mot de passe. Reportez-vous à la page 21.
6. Réglez la mise au point. Reportez-vous à la page 22

Important !
Ce produit doit être utilisé conformément aux lois et dispositions locales en vigueur.

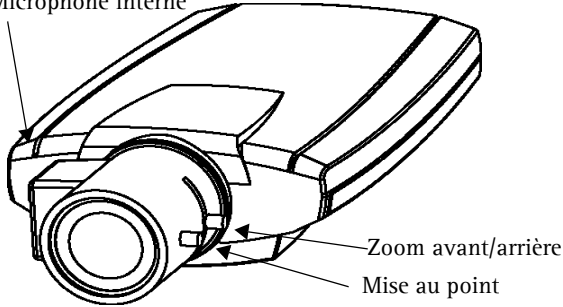
FRANÇAIS

1 Contenu de l'emballage

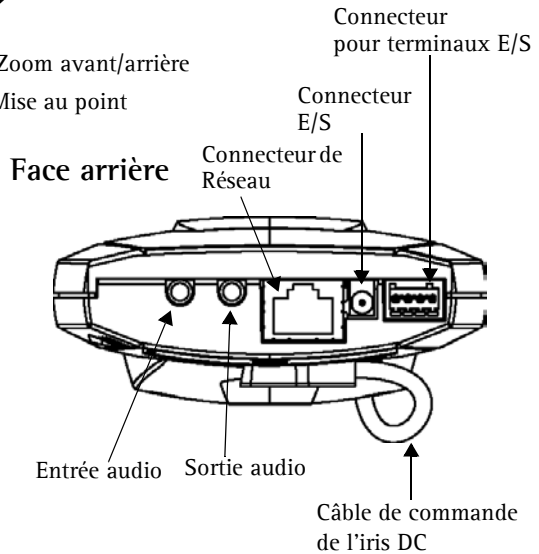
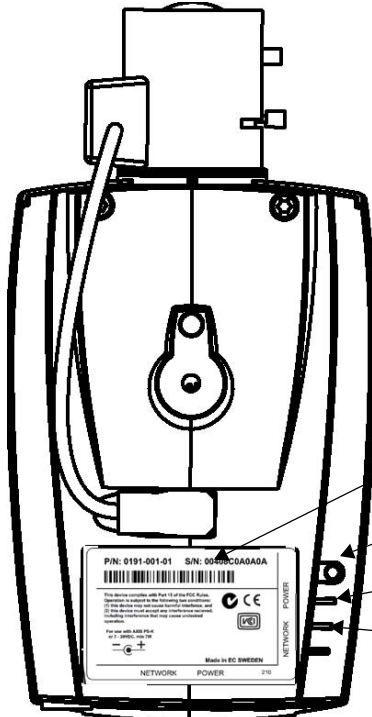
Article	Modèles/variantes/remarques
Caméra réseau	AXIS 211M
Alimentation (intérieur) sec- teur PS-K (dépend du pays)	Europe Royaume-Uni Australie États-Unis/Japon Argentine Corée
Connecteur pour terminaux	Connecteur 4 broches pour la connexion d'équipements externes au terminal E/S
Pied de la caméra	Fourni avec des vis de montage
CD	CD de la caméra vidéo réseau Axis comprenant les outils d'installation, les autres logiciels et la documentation
Documentation imprimée	AXIS 211M Guide d'installation (le présent document) Document de garantie d'Axis

2 Présentation du matériel

Voyant d'état &
Microphone interne



Vue de dessous



Dimensions

H x L x P = 38 x 88 x 172 mm (1,5 " x 3,4 " x 6,8 ")

Poids = 260g (0.26 kg) (alimentation non incluse)

3 Installation du matériel

IMPORTANT ! - L'AXIS 211M est conçue pour une utilisation intérieure et extérieure. Pour pouvoir être utilisée à l'extérieur, la caméra doit être placée dans une housse homologuée. Visitez le site www.axis.com pour plus d'informations sur les housses.

Branchement des câbles



1. Connectez la caméra à votre réseau à l'aide d'un câble de réseau blindé.
2. Si vous le souhaitez, connectez des dispositifs d'entrée/sortie externes, par exemple des dispositifs d'alarme. Reportez-vous à la page 24 pour plus d'informations sur les broches du connecteur pour terminaux.
3. Branchez l'alimentation à l'aide de l'une des 3 méthodes reprises ci-dessous.
 - Le connecteur d'alimentation fourni.
 - PoE (Power over Ethernet). Si elle est disponible, cette option est automatiquement détectée lorsque le câble réseau est branché (voir ci-dessus).
 - Branchez l'alimentation via le connecteur pour terminaux. Reportez-vous à la page 24 pour plus d'informations sur les broches du connecteur pour terminaux.
4. Vérifiez que les témoins DEL indiquent les conditions correctes. Pour plus d'informations, consultez le tableau à la page 25. Notez que certains témoins DEL peuvent être désactivés et éteints.

4 Attribution d'une adresse IP

Aujourd'hui, la plupart des réseaux comportent un serveur DHCP qui attribue automatiquement des adresses IP aux dispositifs connectés. Si ce n'est pas le cas de votre réseau, l'AXIS 211M utilisera l'adresse IP par défaut 192.168.0.90.

Si vous souhaitez affecter une adresse IP statique, sous Windows nous recommandons l'utilisation de l'application **AXIS IP Utility** ou de l'application **AXIS Camera Management**. Selon le nombre de caméras à installer, utilisez la méthode qui vous convient le mieux.

Ces deux applications gratuites sont disponibles sur le CD de la caméra vidéo réseau Axis fourni avec ce produit. Vous pouvez également les télécharger à partir du site www.axis.com/techsup.

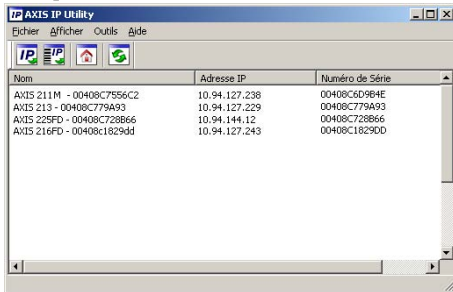
Méthode	Recommandée pour	Système d'exploitation
 AXIS IP Utility Voir page 19	Une seule caméra Les petites installations	Windows
 AXIS Camera Management Voir page 20	Plusieurs caméras Les grandes installations Installation sur un autre sous-réseau	Windows 2000 Windows XP Pro Windows 2003 Server

Remarques

- En cas d'échec de l'attribution de l'adresse IP, vérifiez qu'aucun pare-feu ne bloque l'opération.
- Pour connaître les autres méthodes d'affectation ou de repérage de l'adresse IP de la caméra AXIS 211M, par exemple sur d'autres systèmes d'exploitation, reportez-vous à la page 23.

AXIS IP Utility - Une seule caméra/petite installation

L'utilitaire AXIS IP Utility détecte et affiche automatiquement les périphériques Axis de votre réseau. Cette application sert également à attribuer manuellement une adresse IP statique.




Notez que l'ordinateur exécutant l'application AXIS IP Utility doit se trouver sur le même segment de réseau (sous-réseau physique) que l'appareil AXIS 211M.

Détection automatique

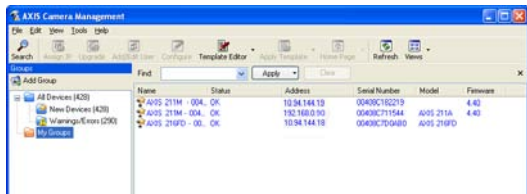
1. Vérifiez que l'appareil AXIS 211M est connecté au réseau et que l'alimentation est activée.
2. Démarrez AXIS IP Utility.
3. Lorsque l'icône de la caméra apparaît dans la fenêtre, double-cliquez dessus pour ouvrir la page d'accueil correspondante.
4. Consultez la page 21 pour savoir comment affecter le mot de passe.

Affectez manuellement l'adresse IP.

1. Trouvez une adresse IP inutilisée sur le même segment de réseau que celui de votre ordinateur.
2. Cliquez sur le bouton  Affecter l'adresse IP en utilisant le numéro de série, puis saisissez le numéro de série et l'adresse IP de l'AXIS 211M. Le numéro de série se trouve sur l'étiquette du produit.
3. Cliquez sur le bouton Affecter et suivez les instructions.
4. Cliquez sur le bouton Page d'accueil pour accéder aux pages Web de la caméra.
5. Consultez la page 21 pour savoir comment définir le mot de passe.

AXIS Camera Management – Plusieurs caméras/grandes installations

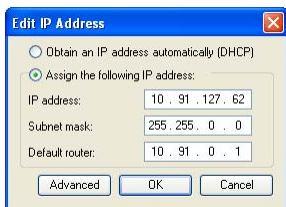
AXIS Camera Management peut détecter automatiquement plusieurs dispositifs Axis, afficher les états de connexion, gérer les mises à niveau du microcode et définir les adresses IP.



Détection automatique

1. Vérifiez que la caméra est connectée au réseau et que l'alimentation est activée.
2. Démarrez AXIS Camera Management. Double-cliquez sur l'icône de l'AXIS 211M lorsqu'elle apparaît dans la fenêtre de façon à ouvrir la page d'accueil.
3. Consultez la page 21 pour savoir comment définir le mot de passe.

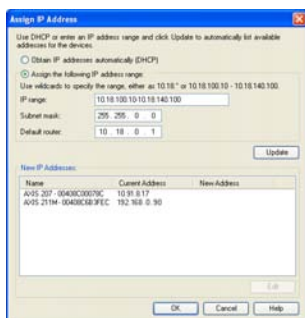
Attribuer une adresse IP à un seul dispositif



1. Sélectionnez AXIS 211M dans l'application AXIS Camera Management, puis cliquez sur le bouton Assign IP (Affecter une IP).
2. Sélectionnez Assign the following IP address (Affecter l'adresse IP suivante) et saisissez la plage d'adresse IP, le masque de sous-réseau et le routeur par défaut que le dispositif utilisera.
3. Cliquez sur le bouton OK.

Attribuer des adresses IP à plusieurs dispositifs

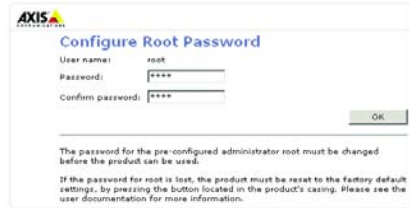
AXIS Camera Management accélère le processus d'affectation d'adresses IP sur plusieurs appareils en suggérant les adresses IP parmi une plage spécifiée.



1. Sélectionnez les appareils à configurer (il peut s'agir de plusieurs modèles), puis cliquez sur le bouton Assign IP(Affecter une adresse IP).
2. Sélectionnez Assign the following IP address range (Affecter la plage d'adresses IP suivante) et saisissez la plage d'adresses IP, le masque de sous-réseau et le routeur par défaut que les dispositifs utiliseront.
3. Cliquez sur le bouton OK.

5 Définition du mot de passe

Si vous accédez à la caméra AXIS 211M pour la première fois, la boîte de dialogue Configure Root Password (Configurer le mot de passe root) s'affiche.



1. Entrez un mot de passe et entrez-le une seconde fois pour en confirmer l'orthographe. Cliquez sur OK.
2. Saisissez le nom d'utilisateur root dans la boîte de dialogue lorsque vous y êtes invité. Remarque : le nom d'utilisateur par défaut de l'administrateur, à savoir root, ne peut pas être supprimé.
3. Entrez le mot de passe comme expliqué ci-dessus, puis cliquez sur OK. Si vous avez oublié votre mot de passe, vous devez rétablir les paramètres d'usine par défaut de l'AXIS 211M. Reportez-vous à la page 26.
4. Si nécessaire, cliquez sur Oui pour installer AMC (Axis Media Control) afin de pouvoir visualiser le flux vidéo dans Internet Explorer. Pour ce faire, vous devrez être connecté à votre ordinateur avec les droits d'administrateur.

La page Live View (Vidéo en direct) de l'AXIS 211M s'affiche, avec des liens vers les outils de configuration pour adapter la caméra à vos besoins.

Configuration : contient tous les outils nécessaires pour adapter la caméra à vos besoins.

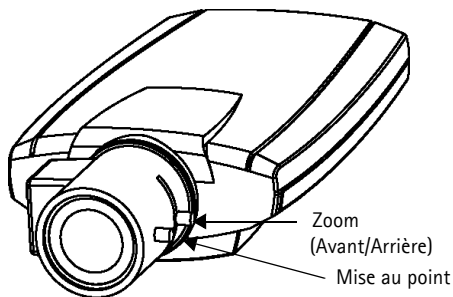


Aide : affiche une aide en ligne sur l'utilisation de la caméra.

6 Réglez l'image et la mise au point

Pour effectuer la mise au point de l'appareil AXIS 211M, suivez les instructions ci-dessous.

1. À partir de la page **Configuration de base** des outils de configuration, ouvrez la page **Réglage de la mise au point**.
2. Paramétrez l'Iris DC sur *Désactivé*, puis cliquez sur **Enregistrer**.
3. Enlevez le zoom de l'objectif en le faisant tourner dans le sens inverse des aiguilles d'une montre. Réglez le zoom, si nécessaire. Remettez le zoom en place en le faisant tourner dans le sens des aiguilles d'une montre.
4. Enlevez la mise au point de l'objectif en la faisant tourner dans le sens inverse des aiguilles d'une montre. Réglez la mise au point, si nécessaire. Remettez la mise au point en place en la faisant tourner dans le sens des aiguilles d'une montre.
5. Sur la page **Focus Adjustment (Réglage de la mise au point)**, paramétrez l'Iris DC sur *Activé*, puis cliquez sur **Enregistrer**.



Remarque : L'Iris DC doit toujours être désactivé lors de la mise au point de la caméra. Le diaphragme s'ouvre au maximum, ce qui offre la plus petite profondeur de champ et, par conséquent, les meilleures conditions pour une mise au point correcte. Lorsque la mise au point est définie par cette méthode, elle est conservée dans toutes les conditions d'éclairage.

Accès à l'appareil AXIS 211M à partir d'Internet

Une fois installé, votre appareil AXIS 211M est accessible sur votre réseau local (LAN). Pour accéder à la caméra depuis Internet, vous devez configurer les routeurs réseau afin d'autoriser l'entrée de données, ce qui se fait généralement sur un port spécifique. Consultez la documentation de votre routeur pour obtenir davantage d'instructions. Pour de plus amples informations, visitez le site de support d'Axis à l'adresse www.axis.com/techsup.

Autres méthodes de définition de l'adresse IP

Le tableau ci-dessous indique les autres méthodes permettant de définir ou de déterminer l'adresse IP. Toutes les méthodes sont activées par défaut et désactivables.

	Utilisation sur le système d'exploitation	Remarques
UPnP™	Windows (ME ou XP)	Lorsque la caméra est activée sur votre ordinateur, elle est détectée et ajoutée automatiquement au dossier Favoris réseau.
Bonjour	MAC OSX (10.4 ou version ultérieure)	Applicable aux navigateurs prenant en charge Bonjour. Accédez au raccourci de Bonjour dans votre navigateur (par exemple, Safari), puis cliquez sur le lien pour accéder aux pages Web de la caméra.
AXIS Dynamic DNS Service	Tous	Service Axis gratuit vous permettant d'installer rapidement votre caméra en toute simplicité. Nécessite une connexion Internet sans proxy HTTP Pour plus d'informations, visitez le site www.axis-cam.net .
ARP/Ping	Tous	Reportez-vous aux instructions ci-dessous. La commande doit être saisie dans les 2 minutes suivant la connexion de l'alimentation à la caméra.
Consultation des pages administratives du serveur DHCP	Tous	Pour consulter les pages administratives du serveur DHCP réseau, reportez-vous à la documentation du serveur.

FRANCAIS

Définition de l'adresse IP à l'aide d'ARP/Ping

1. Trouvez une adresse IP sur le même segment de réseau que celui de votre ordinateur.
2. Repérez le numéro de série (S/N) sur l'étiquette de la caméra AXIS 211M.
3. Ouvrez une invite de commande sur votre ordinateur et entrez les commandes suivantes:

Syntaxe pour Windows	Exemple pour Windows
arp -s <adresse IP> <numéro de série> ping -l 408 -t <adresse IP>	arp -s 192.168.0.125 00-40-8c-18-10-00 ping -l 408 -t 192.168.0.125
Syntaxe pour UNIX/Linux/Mac	Exemple pour UNIX/Linux/Mac
arp -s <adresse IP > <numéro de série> temp ping -s 408 <adresse IP>	arp -s 192.168.0.125 00:40:8c:18:10:00 temp ping -s 408 192.168.0.125

4. Vérifiez que le câble réseau est connecté à la caméra, puis démarrez/redémarrez cette dernière en débranchant, puis en rebranchant l'alimentation.
5. Fermez la commande d'invite quand vous voyez « Reply from 192.168.0.125: ...' (Réponse de 192.168.0.125 : ...) ou un message similaire.
6. Dans votre navigateur, tapez `http://<adresse IP>` dans le champ Emplacement/Adresse, puis appuyez sur Entrée sur le clavier.

Remarques

- Pour ouvrir une invite de commande sous Windows : dans le menu Démarrer, sélectionnez Exécuter et tapez `cmd`. Cliquez sur OK.
- Pour utiliser la commande ARP sur Mac OS X, utilisez l'utilitaire Terminal dans Application > Utilitaires.

Connecteurs de l'unité

Connecteur de réseau - Connecteur Ethernet RJ-45. Prend en charge la technologie PoE (Power over Ethernet). Il est recommandé d'utiliser des câbles blindés.

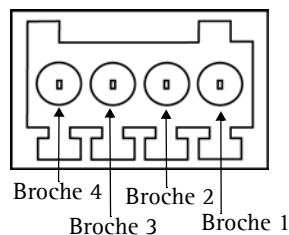
Connecteur - Miniconnecteur CC. 7-20 V CC, jusqu'à 5 W. Reportez-vous à l'étiquette du produit pour connaître la connexion \pm .

Entrée audio - Entrée 3,5 mm pour microphone mono ou entrée de ligne pour signal mono (le canal de gauche est utilisé pour un signal stéréo).

Sortie audio - Sortie audio (niveau de ligne) pouvant être connectée à un système de sonorisation ou à un haut-parleur actif avec amplificateur intégré. Un casque peut également être connecté. Pour une sortie audio, un connecteur stéréo doit être utilisé.

Connecteur pour terminaux E/S - Utilisé dans les applications, par exemple pour la détection de mouvements, le déclenchement d'événements, l'enregistrement à intervalles et les notifications d'alarme. Il sert d'interface aux éléments suivants :

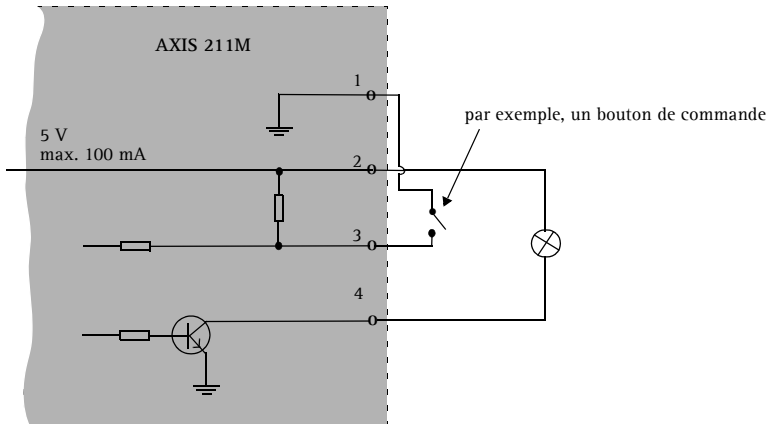
- 1 sortie transistor : permet de connecter des dispositifs externes tels que les relais et les DEL. Les dispositifs connectés peuvent être activés à l'aide de l'API VAPIX AXIS, des boutons de sortie sur la page Vidéo en direct ou à l'aide d'un type d'événement. La sortie est considérée comme étant active (dans Configuration d'événement) > État du port si le dispositif d'alarme est activé.
- 1 entrée numérique : entrée d'alarme utilisée pour connecter des dispositifs pouvant passer d'un circuit ouvert à un circuit fermé, par exemple : les détecteurs infrarouge passifs, les contacts de porte/fenêtre, les détecteurs de bris de verre, etc. Lorsqu'un signal est reçu, l'état change et l'entrée devient active (elle apparaît sous Configuration d'événement > État du port).
- Alimentation auxiliaire et mise à la terre



Connecteurs de borne. Notez que les broches sont numérotées de 1 à 4, de droite à gauche.

Fonction	Numéro de broche	Remarques	Spécifications
GND	1		
Alimentation 5 V CC	2	Peut être utilisée comme autre source d'alimentation (7-20 V CC) ou pour alimenter un équipement auxiliaire +5 V CC (100 mA).	Charge maximale = 100 mA
Entrée numérique	3	Connectez-la au GND pour l'activer ou laissez-la flotter (ou déconnectée) pour la désactiver.	Ne doit pas être exposée à une tension supérieure à 20 V CC
Sortie transistor	4	Connectez au GND pour activer. En cas d'utilisation avec un relais externe, une diode doit être connectée en parallèle avec la charge, en guise de protection contre les tensions transitoires	Charge maximale = 100 mA Tension maximale = 24 V CC (vers le transistor)

Diagramme de connexion



Témoins DEL

Témoin DEL	Couleur	Indication
Réseau	Vert	Continu en cas de connexion à un réseau 100 Mbits/s. Clignote en cas d'activité réseau.
	Orange	Continu en cas de connexion à un réseau 10 Mbits/s. Clignote en cas d'activité réseau.
	Éteint	Pas de connexion réseau.
État	Vert	Vert continu en cas de fonctionnement normal. Remarque : Le voyant d'état peut être configuré pour être éteint au cours du fonctionnement normal, ou pour clignoter uniquement lors des accès à la caméra. Pour ce faire, cliquez sur Configuration > Options système > Paramètres DEL . Reportez-vous à l'aide en ligne pour plus d'informations.
	Orange	En continu pendant le démarrage, la réinitialisation des valeurs d'usine ou la restauration des paramètres.
	Rouge	Clignote lentement en cas d'échec de la mise à niveau.
Connecteur	Vert	Fonctionnement normal.
	Orange	Clignote en vert/orange pendant la mise à niveau du microprogramme.

Rétablissement des paramètres d'usine par défaut

Pour revenir aux paramètres par défaut définis en usine et réinitialiser l'adresse IP, procédez comme suit :

1. Débranchez l'alimentation de la caméra.
2. Maintenez le bouton de commande enfoncé pendant 15 secondes et rebranchez l'alimentation.
3. Appuyez sur le bouton jusqu'à ce que le voyant d'état passe à l'orange (cela peut prendre jusqu'à 15 secondes), puis relâchez le bouton.
4. Quand le voyant d'état émet une lumière verte (ce qui peut prendre jusqu'à 1 minute), la caméra est revenue aux paramètres d'usine par défaut.
5. Réaffectez l'adresse IP à l'aide de l'une des méthodes décrites dans ce document.

Il est également possible de rétablir les paramètres usine par défaut d'origine via l'interface Web. Pour plus d'informations, reportez-vous à l'aide en ligne ou au Manuel de l'utilisateur.

Plus d'informations

Le Manuel de l'utilisateur est disponible sur le site Web d'Axis, ou sur le CD du produit vidéo réseau Axis fourni avec l'appareil.

Conseil :

Visitez le site www.axis.com/techsup pour vérifier si des microcodes mis à jour sont disponibles pour votre appareil AXIS 211M. Pour connaître la version du microcode actuellement installée, reportez-vous à la page Web Basic Configuration (Configuration de base) dans les outils de configuration du produit.

AXIS 211M

Installationsanleitung

In dieser Anleitung wird die Installation der AXIS 211M Netzwerkkamera in einem Netzwerk beschrieben. Alle weiteren Hinweise zur Verwendung des Produkts finden Sie im Benutzerhandbuch, das auf der mitgelieferten CD enthalten ist und auf unserer Webseite unter www.axis.com/techsup zur Verfügung steht.

Installationsschritte

1. Prüfen Sie, ob alle in der nachfolgenden Liste aufgeführten Komponenten vorhanden sind.
2. Hardwareübersicht (siehe Seite 28).
3. Hardware installieren (siehe Seite 29).
4. IP-Adresse zuweisen (siehe Seite 30).
5. Kennwort festlegen (siehe Seite 33).
6. Bildschärfe einstellen (siehe Seite 34).

Wichtiger Hinweis!
Verwenden Sie dieses Produkt nur gemäß den geltenden rechtlichen Bestimmungen.

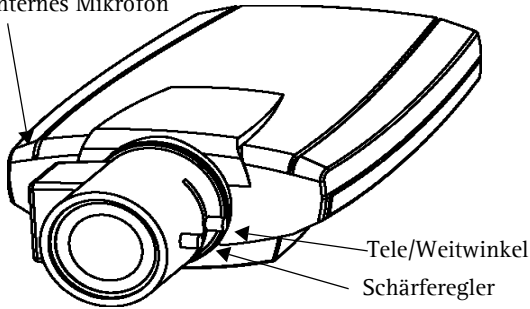
1 Lieferumfang

Komponente	Modelle/Varianten/Anmerkungen
Netzwerkkamera	AXIS 211M
PS-K-Netzteil für geschlossene Räume (landesspezifisch)	Europa Großbritannien Australien USA/Japan Argentinien Korea
Anschlussblock	4-poliger Anschlussblock zum Verbinden externer Geräte mit der E/A-Anschlussleiste
Kamerastativ	Wird mit Schrauben geliefert
CD	CD für AXIS-Netzwerkvideoprodukte einschließlich Produktdokumentation, Installationstools und anderer Software
Gedruckte Dokumente	AXIS 211M Installationsanleitung (dieses Dokument) Axis-Garantieerklärung

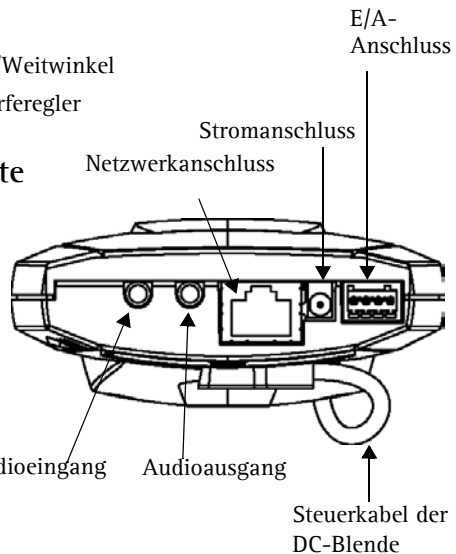
DEUTSCH

2 Hardwareübersicht

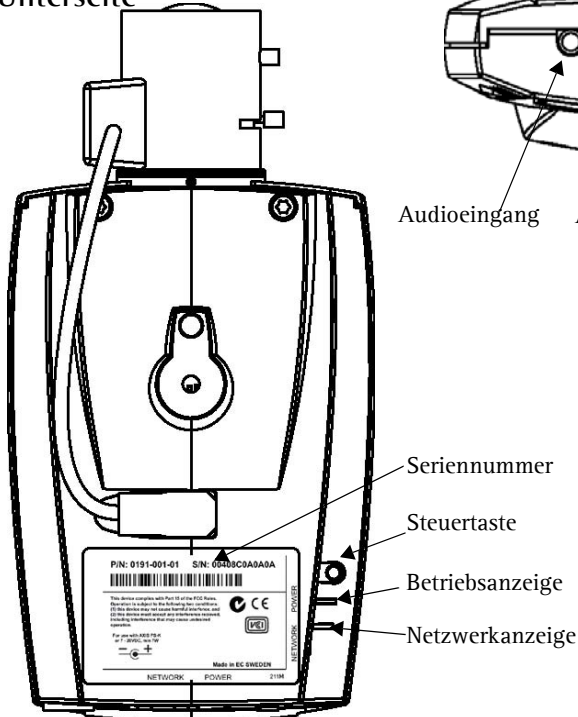
Statusanzeige und
internes Mikrofon



Rückseite



Unterseite



Abmessungen

H × B × T = 44 × 88 × 172 mm

Gewicht = 244 g (ohne Netzteil)

3 Hardware installieren

- WICHTIG!** - Die AXIS 211M ist für die Verwendung sowohl in Innenräumen als auch für den Außeneinsatz geeignet. Um die Kamera im Freien zu verwenden, muss sie in einem zugelassenen Außengehäuse installiert werden.
- Auf unserer Homepage www.axis.com finden Sie weitere Informationen über Außengehäuse.

Kabel anschließen



1. Verbinden Sie die Kamera über ein abgeschirmtes Netzkabel mit dem Netzwerk.
2. Sie können zusätzlich externe Ein- und Ausgabegeräte wie Alarmanlagen anschließen. Informationen zur Anschlussbelegung finden Sie auf Seite 36.
3. Schließen Sie die Kamera auf eine der folgenden Arten an die Stromversorgung an:
 - Über das mitgelieferten Netzeil
 - PoE (Power over Ethernet). Diese Option wird, sofern verfügbar, automatisch bei Anschluss des Netzkabels erkannt (siehe oben).
 - Über den E/A-Anschluss. Informationen zur Anschlussbelegung finden Sie auf Seite 36.
4. Überprüfen Sie, ob die LED-Anzeigen den Betriebszustand korrekt wiedergeben. Weitere Informationen finden Sie in der Tabelle auf Seite 37. Beachten Sie, dass LEDs deaktiviert sein können und deshalb nicht leuchten.

4 IP-Adresse zuweisen

In den meisten Netzwerken ist heutzutage ein DHCP-Server eingebunden, der angeschlossenen Geräten automatisch IP-Adressen zuweist. Wenn Ihr Netzwerk über keinen DHCP-Server verfügt, wird für die AXIS 211M die Standard-IP-Adresse 192.168.0.90 verwendet.

Zum Zuweisen einer statischen IP-Adresse stehen unter Windows die Programme **AXIS IP Utility** und **AXIS Camera Management** zur Verfügung. Verwenden Sie die Methode, die für die gewünschte Anzahl der zu installierenden Kameras geeignet ist.

Beide Anwendungen stehen kostenlos auf der mitgelieferten CD für Axis-Netzwerkvideoprodukte zur Verfügung oder können unter www.axis.com/techsup heruntergeladen werden.

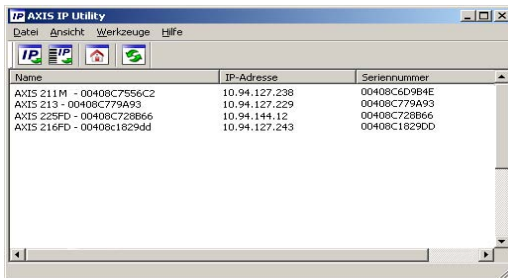
Methode	Empfohlen für	Betriebssystem
 AXIS IP Utility Siehe Seite 31	Einzelne Kamera Kleine Installationen	Windows
 AXIS Camera Management Siehe Seite 32	Mehrere Kameras Große Installationen Installation in einem anderen Sub-netz	Windows 2000 Windows XP Pro Windows 2003 Server

Hinweise:

- Falls Sie die IP-Adresse nicht zuweisen können, müssen ggf. die Einstellungen der Firewall überprüft werden.
- Weitere Informationen zu alternativen Methoden zum Festlegen der IP-Adresse der AXIS 211M (z. B. in anderen Betriebssystemen) finden Sie auf Seite 35.

AXIS IP Utility - Einzelne Kamera/kleine Installation

AXIS IP Utility erkennt automatisch im Netzwerk vorhandene Axis-Geräte und zeigt diese an. Die Anwendung kann außerdem zur manuellen Zuweisung einer statischen IP-Adresse verwendet werden.




Beachten Sie, dass sich die AXIS 211M und der Computer, auf dem AXIS IP Utility ausgeführt wird, im gleichen Netzwerksegment (d. h. physischen Subnetz) befinden müssen.

Automatische Erkennung

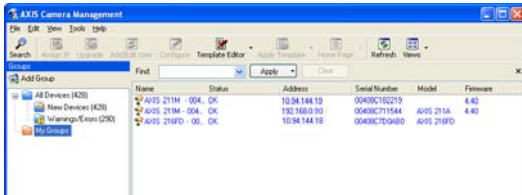
1. Stellen Sie sicher, dass die AXIS 211M an das Netzwerk und die Stromversorgung angeschlossen ist.
2. Starten Sie AXIS IP Utility.
3. Doppelklicken Sie auf das Symbol der Kamera, um die entsprechende Startseite zu öffnen.
4. Anweisungen zum Festlegen des Kennworts finden Sie auf Seite 33.

IP-Adresse manuell zuweisen

1. Wählen Sie eine nicht zugewiesene IP-Adresse im gleichen Netzwerksegment, in dem sich Ihr Computer befindet.
2. Klicken Sie auf die Schaltfläche  **Neue IP-Adresse über Seriennummer festlegen**, und geben Sie Seriennummer sowie IP-Adresse der AXIS 211M ein. Die Seriennummer befindet sich auf dem Produktaufkleber.
3. Klicken Sie auf die Schaltfläche **Zuweisen**, und folgen Sie den Anweisungen.
4. Klicken Sie auf die Schaltfläche **Startseite**, um auf die Webseiten der Kamera zuzugreifen.
5. Anweisungen zum Festlegen des Kennworts finden Sie auf Seite 33.

AXIS Camera Management – Mehrere Kameras/große Installation

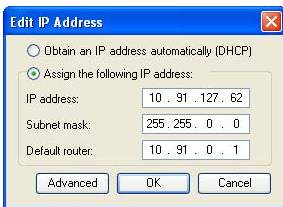
Mit AXIS Camera Management können automatisch mehrere Axis-Geräte erkannt, der Verbindungsstatus angezeigt, die Firmware-Aktualisierungen verwaltet und IP-Adressen festgelegt werden.




Automatische Erkennung

1. Stellen Sie sicher, dass die Kamera an das Netzwerk und die Stromversorgung angeschlossen ist.
2. Starten Sie AXIS Camera Management. Doppelklicken Sie auf das Symbol der AXIS 211M, um die Startseite der Kamera zu öffnen.
3. Anweisungen zum Festlegen des Kennworts finden Sie auf Seite 33.

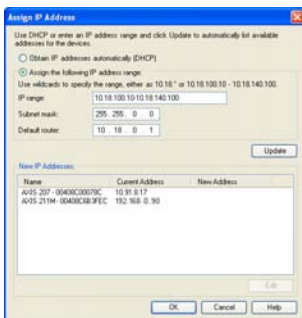
Eine IP-Adresse einem einzelnen Gerät zuweisen




1. Wählen Sie die AXIS 211M im AXIS Camera Management, und klicken Sie auf die Schaltfläche **Assign IP (IP-Adresse zuweisen)** .
2. Wählen Sie die Option **Assign the following IP address (Folgende IP-Adresse zuweisen)** und geben Sie die IP-Adresse, die Subnetzmaske und den Standardrouter für das Gerät ein.
3. Klicken Sie auf **OK**.

IP-Adressen mehreren Geräten zuweisen

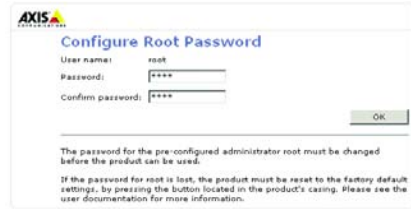
AXIS Camera Management beschleunigt die Zuweisung von IP-Adressen an mehrere Geräte, indem IP-Adressen aus einem angegebenen Bereich vorgeschlagen werden.



1. Wählen Sie die zu konfigurierenden Geräte aus (es können auch unterschiedliche Modelle gewählt werden), und klicken Sie auf die Schaltfläche **Assign IP (IP-Adresse zuweisen)** .
2. Wählen Sie die Option **Assign the following IP address range (Folgenden IP-Adressbereich zuweisen)** und geben Sie den IP-Adressbereich, die Subnetzmaske und den Standardrouter für das Geräte ein.
3. Klicken Sie auf **OK**.

5 Kennwort festlegen

Beim erstmaligen Zugriff auf die AXIS 211M wird das Dialogfeld **Configure Root Password** (Root-Kennwort konfigurieren) angezeigt.



1. Geben Sie ein Kennwort ein, und wiederholen Sie zum Bestätigen der Schreibweise die Eingabe. Klicken Sie auf **OK**.
2. Geben Sie den Benutzernamen „root“ wie erforderlich ein.
Hinweis: Der vorgegebene Administrator-Benutzername „root“ kann nicht gelöscht werden.
3. Geben Sie das zuvor festgelegte Kennwort ein, und klicken Sie auf **OK**. Wenn Sie das Kennwort vergessen haben, muss die AXIS 211M auf die Werkseinstellungen zurückgesetzt werden (siehe Seite 38).
4. Klicken Sie auf **Ja**, um AMC (AXIS Media Control) zu installieren. Nach Abschluss der Installation können Sie Video-Streams in Microsoft Internet Explorer anzeigen. Zur Installation müssen Sie über Administratorrechte für den Computer verfügen.

Die Seite „Direktübertragung“ der AXIS 211M wird angezeigt. Sie enthält Links zu Setup-Tools, mit denen Sie die Kamera Ihren Bedürfnissen entsprechend anpassen können.

Setup: Alle zur benutzerspezifischen Konfiguration der Kamera notwendigen Tools.

DEUTSCH

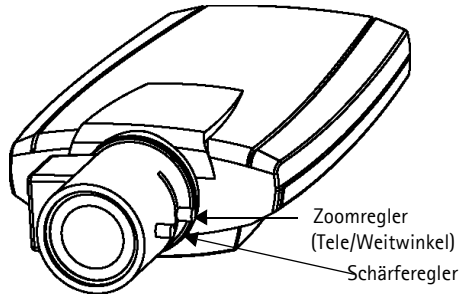


Hilfe: Aufrufen der Online-Hilfe für die Kamera.

6 Bildschärfe einstellen

Gehen Sie folgendermaßen vor, um die Bildschärfe der AXIS 211M einzustellen.

1. Öffnen Sie unter „Setup“ die Seite **Standardkonfiguration**, und wählen Sie dort die Seite **Bildschärfe einstellen**.
2. Wählen Sie *DC-Blende: Deaktiviert*, und klicken Sie auf **Speichern**.
3. Lösen Sie den Zoomregler am Objektiv, indem Sie ihn gegen den Uhrzeigersinn drehen. Nehmen Sie die erforderlichen Zoomeinstellungen vor. Drehen Sie den Zoomregler wieder fest.
4. Lösen Sie den Schärfereger am Objektiv. Stellen Sie die erforderliche Bildschärfe ein. Drehen Sie den Schärfereger wieder fest.
5. Wählen Sie *DC-Blende: Aktiviert*, und klicken Sie auf **Speichern**.



Hinweis: Die DC-Blende muss beim Scharfstellen der Kamera immer deaktiviert werden. Sie ist dann vollständig geöffnet, und die niedrigste Schärfentiefe kann erreicht werden. Dies sind die besten Voraussetzungen für eine richtige Fokussierung. Wenn Sie die Schärfe auf diese Weise regulieren, wird sie bei allen Lichtverhältnissen beibehalten.

Internetzugriff auf die AXIS 211M

Sobald die AXIS 211M installiert ist, können Sie über Ihr lokales Netzwerk (LAN) auf die Kamera zugreifen. Um auch über das Internet auf die Kamera zugreifen zu können, müssen Sie die Netzwerk-Router so konfigurieren, dass diese den entsprechenden eingehenden Datenverkehr zulassen. Dies geschieht üblicherweise für einen bestimmten Port. Ausführliche Informationen zu diesem Thema finden Sie in der Dokumentation des Routers. Weitere Informationen hierzu und zu anderen Themen erhalten Sie auf der Support-Webseite von Axis unter www.axis.com/techsup.

Weitere Methoden zum Festlegen der IP-Adresse

Diese Tabelle bietet einen Überblick zu weiteren Methoden, die IP-Adresse festzulegen bzw. zu ermitteln. Alle Methoden sind standardmäßig aktiviert und können deaktiviert werden.

	Verwendung im Betriebssystem	Hinweise
UPnP™	Windows (ME oder XP)	Wenn die Funktion auf dem Computer aktiviert ist, wird die Kamera automatisch erkannt und zur „Netzwerkumgebung“ hinzugefügt.
Bonjour	MAC OS X (ab Vers. 10.4)	Kann nur bei Browsern verwendet werden, die Bonjour unterstützen. Navigieren Sie zum Bonjour-Lesezeichen Ihres Browsers (z. B. Safari), und klicken Sie auf den Link, um auf die Webseiten der Kamera zu gelangen.
AXIS Dynamic DNS Service	Alle	Ein kostenloser Service von Axis, mit dem Sie Ihre Kamera schnell und einfach installieren können. Voraussetzung ist eine Internetverbindung ohne HTTP-Proxy. Weitere Informationen hierzu finden Sie unter www.axis-cam.net .
ARP/Ping	Alle	Siehe unten. Der Befehl muss innerhalb von 2 Minuten nach Anschluss der Kamera an das Stromnetz ausgeführt werden.
Admin-Seiten des DHCP-Servers anzeigen	Alle	Hinweise zum Anzeigen der Administrationsseiten des DHCP-Servers im Netzwerk finden Sie in der Serverdokumentation.

IP-Adresse per ARP/Ping festlegen

1. Wählen Sie eine IP-Adresse aus dem Netzwerksegment, in dem sich auch Ihr Computer befindet.
2. Suchen Sie die Seriennummer (S/N) auf dem Produktaufkleber der AXIS 211M.
3. Öffnen Sie auf Ihrem Computer die Eingabeaufforderung, und geben Sie die folgenden Befehle ein:

Syntax unter Windows:	Beispiel für Windows
arp -s <IP-Adresse> <Seriennummer> ping -l 408 -t <IP-Adresse>	arp -s 192.168.0.125 00-40-8c-18-10-00 ping -l 408 -t 192.168.0.125
Syntax unter UNIX/Linux/Mac	Beispiel für UNIX/Linux/Mac
arp -s <IP-Adresse> <Seriennummer> temp ping -s 408 <IP-Adresse>	arp -s 192.168.0.125 00:40:8c:18:10:00 temp ping -s 408 192.168.0.125

4. Stellen Sie sicher, dass das Netzkabel mit der Kamera verbunden ist, und starten Sie die Kamera bzw. starten Sie diese neu, indem Sie die Stromversorgung unterbrechen und wiederherstellen.
5. Schließen Sie die Eingabeaufforderung, sobald ‚Reply from 192.168.0.125: ...‘ oder eine ähnliche Antwort angezeigt wird.
6. Starten Sie einen Browser, geben Sie im Adressfeld „http://<IP-Adresse>“ ein, und drücken Sie die Eingabetaste.

Hinweise:

- So öffnen Sie die Eingabeaufforderung unter Windows: Wählen Sie „Ausführen“ im Startmenü, und geben Sie „cmd“ ein. Klicken Sie auf OK.
- Verwenden Sie zum Eingeben des Befehls „ARP“ unter Mac OS X das Dienstprogramm „Terminal“, das Sie unter „Anwendungen > Dienstprogramme“ finden.

Kameraanschlüsse

Netzwerkanschluss - RJ-45-Ethernetanschluss. Unterstützt PoE (Power over Ethernet). Die Verwendung von abgeschirmten Kabeln wird empfohlen.

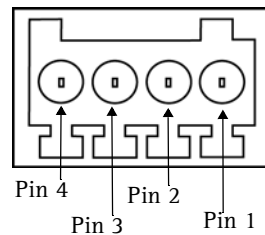
Stromanschluss - Mini-Gleichstromanschluss. 7-20 V Gleichstrom, max. 5 W; Siehe Produktaufkleber bezüglich \pm -Anschluss.

Audioeingang - 3,5 mm-Eingang für Mono-Mikrofon oder Line-In-Monosignal (linker Kanal für Stereo-Signal).

Audioausgang - Audioausgang (Line-Pegel), der mit einem PA-System oder einem Aktivlautsprecher mit integriertem Verstärker verbunden werden kann. Auch der Anschluss von Kopfhörern ist möglich. Für den Audioausgang muss ein Stereoanschluss verwendet werden.

E/A-Anschluss - Nutzung in Anwendungen wie Bewegungserkennung, Ereignissteuerung, Zeitrafferaufnahmen und Alarm-Benachrichtigungen. Dient als Schnittstelle für:

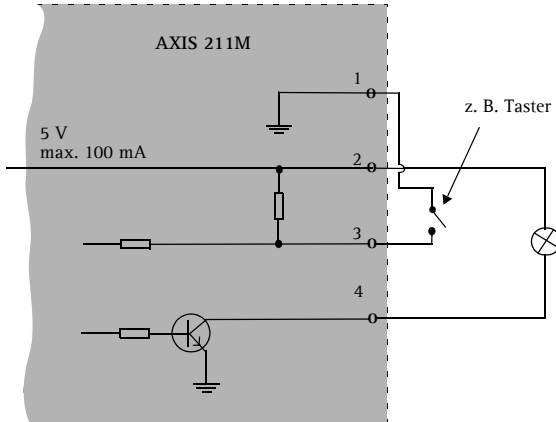
- 1 Transistorausgang: Zum Anschluss externer Geräte wie Relais und LED. Die angeschlossenen Geräte können mit Hilfe der AXIS VAPIX AP, der Ausgangsschaltflächen auf der Seite **Direktübertragung** oder durch einen **Ereignistyp** aktiviert werden. Der Ausgang wird unter **Ereigniskonfiguration > Port-Status** als „aktiviert“ angezeigt, wenn das Alarm meldende Gerät eingeschaltet ist.
- 1 digitaler Eingang: Alarmeingang zum Anschluss von Geräten, die zwischen geöffnetem und geschlossenem Schaltkreis wechseln können, z. B.: PIR-Kameras, Tür-/Fensterkontakte, Glasbruchmelder usw. Bei Empfang eines Signals ändert sich der **Status**, und der Eingang wird aktiviert (angezeigt unter **Ereigniskonfiguration > Port-Status**).
- Zusatzstromversorgung und Masse



Anschlüsse. Die Pins 1-4 sind von rechts nach links nummeriert.

Funktion	Pinnummer	Hinweise	Technische Daten
Masse	1		
5 V Gleichstrom	2	Kann als alternative Stromversorgung (7-20 V Gleichstrom) oder zur Versorgung von Zusatzgeräten (ab 5 V Gleichstrom (100 mA)) genutzt werden.	max. Stromstärke = 100 mA
Digitaler Eingang	3	Zum Aktivieren mit dem Massekontakt verbinden, zum Deaktivieren trennen.	Maximal angelegte Spannung: 20 V Gleichstrom
Transistorausgang	4	Anschluss an Masse, wenn aktiviert. Zum Schutz vor Spannungsspitzen muss bei der Kombination mit einem externen Relais eine Diode parallel zur Last geschaltet werden.	max. Stromstärke = 100 mA max. Spannung = 24 V Gleichstrom (zum Transistor)

Anschlusschaltbild



LED-Anzeigen

LED	Farbe	Bedeutung
Netzwerk	Grün	Leuchtet dauerhaft bei einer Netzwerkverbindung mit 100 Mbit/s. Blinkt bei Netzwerkaktivität.
	Gelb	Leuchtet dauerhaft bei Netzwerkverbindung mit 10 Mbit/s. Blinkt bei Netzwerkaktivität.
	Leuchtet nicht	Keine Netzwerkverbindung.
Status	Grün	Leuchtet bei Normalbetrieb dauerhaft grün. Hinweis: Die Status-LED kann so konfiguriert werden, dass sie bei normalem Betrieb nicht leuchtet oder nur dann blinkt, wenn auf die Kamera zugegriffen wird. Klicken Sie zur Konfiguration auf Setup > Systemoptionen > LED-Einstellungen . Weitere Informationen dazu finden Sie in der Online-Hilfe.
	Gelb	Leuchtet dauerhaft beim Start und beim Wiederherstellen der Werkseinstellungen bzw. von vorherigen Einstellungen.
	Rot	Blinkt langsam, wenn bei der Aktualisierung ein Fehler aufgetreten ist.
Betrieb	Grün	Normalbetrieb.
	Gelb	Blinkt grün/gelb bei Firmware-Aktualisierung.

Auf werkseitige Voreinstellungen zurücksetzen

Gehen Sie folgendermaßen vor, um sämtliche Parameter einschließlich der IP-Adresse auf die werkseitigen Standardeinstellungen zurückzusetzen:

1. Trennen Sie die Kamera von der Stromversorgung.
2. Halten Sie die Steuertaste 15 Sekunden lang gedrückt, und schließen Sie den Netzstecker wieder an.
3. Halten Sie die Taste gedrückt, bis die Statusanzeige gelb leuchtet (bis zu 15 Sekunden), und lassen Sie danach die Taste los.
4. Wenn die Statusanzeige grün leuchtet (bis zu einer Minute), wurde die Kamera auf die werkseitigen Standardeinstellungen zurückgesetzt.
5. Weisen Sie die IP-Adresse erneut zu, indem Sie eine der in diesem Dokument beschriebenen Methoden verwenden.

Die Parameter können auch über die Weboberfläche auf die werkseitigen Einstellungen zurückgesetzt werden. Weitere Informationen hierzu finden Sie in der Online-Hilfe und im Benutzerhandbuch.

Weitere Informationen

Das Benutzerhandbuch ist auf der Axis-Website unter www.axis.com erhältlich und befindet sich auch auf der mitgelieferten CD für Axis-Netzwerkvideoprodukte.

Tipp!

Unter www.axis.com/techsup finden Sie Firmware-Aktualisierungen für Ihre AXIS 211M. Gehen Sie unter „Setup-Tools“ auf die Seite „Standardkonfiguration“, um die aktuelle Firmware-Version anzuzeigen.

Sicherheitshinweis zum Batterieaustausch

Die AXIS 211M benötigt eine Lithium-Batterie CR2032 3,0 V, um die interne Echtzeituhr (RTC) zu versorgen. Die Lebensdauer dieser Batterie beträgt unter normalen Betriebsbedingungen mindestens 5 Jahre. Bei niedrigem Batteriestand muss die RTC bei jedem Einschalten nachgestellt werden. Es wird eine Protokollnachricht angezeigt, wenn die Batterie ausgetauscht werden muss.

Die Batterie sollte nur wenn unbedingt erforderlich ausgetauscht werden.

Wenn die Batterie ausgetauscht werden muss, beachten Sie diese Hinweise:

- Es besteht Explosionsgefahr, wenn die Batterie nicht ordnungsgemäß eingesetzt wurde.
- Nur gegen vom Hersteller empfohlene Batterien desselben oder eines ähnlichen Typs austauschen.
- Entsorgen benutzter Batterien gemäß den Herstellervorgaben.

AXIS 211M

Guida all'installazione

Nel presente documento vengono fornite le istruzioni per installare la Videocamera di rete AXIS 211M nella propria rete. Per tutti gli altri aspetti sull'utilizzo del prodotto, vedere il manuale dell'utente disponibile sul CD incluso nella confezione oppure all'indirizzo www.axis.com/techsup

Procedura di installazione

1. Controllare il contenuto della confezione utilizzando l'elenco fornito di seguito.
2. Panoramica dell'hardware. Vedere pagina 40.
3. Installazione l'hardware. Vedere pagina 41.
4. Impostazione di un indirizzo IP. Vedere pagina 42.
5. Impostazione della password. Vedere pagina 45.
6. Regolazione della messa a fuoco. Vedere pagina 46.

Importante

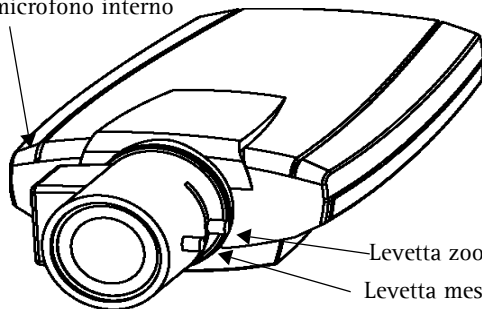
Il prodotto deve essere utilizzato in conformità alle leggi e alle disposizioni locali.

1 Contenuto della confezione

Articolo	Modello/varianti/note
Videocamera di rete	AXIS 211M
Alimentatore per uso interno PS-K (specifico per il paese)	Europa Regno Unito Australia Stati Uniti/Giappone Argentina Corea
Connettore della morsettieria	Morsettieria a 4 pin per il collegamento di periferiche esterne alla morsettieria di alimentazione I/O
Supporto della videocamera	Viti di montaggio in dotazione
CD	CD del prodotto, inclusi gli strumenti di installazione e altro software nonché la documentazione del prodotto
Documentazione cartacea	Guida all'installazione di AXIS 211M (questo documento) Certificato di garanzia Axis

2 Panoramica dell'hardware

Indicatore di stato e
microfono interno



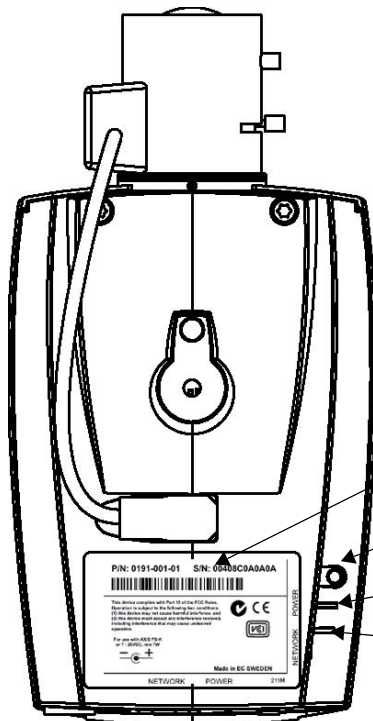
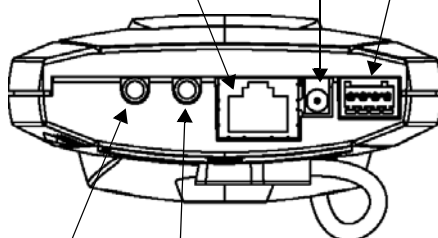
Connettore I/O

Connettore
di alimentazione

Pannello posteriore

Connettore
di rete

Etichetta lato inferiore



Numero di serie

Pulsante Control

Indicatore di alimentazione

Indicatore di rete

Dimensioni

AxLxP = 44 x 88 x 172 mm (1,7" x 3,4" x 6,8")

Peso = 244 g (0,5 lb) (alimentatore non incluso)

3 Installazione l'hardware

- IMPORTANTE:** il dispositivo AXIS 211M è progettato per un uso interno ed esterno. Per utilizzare la videocamera all'esterno, è necessario installarla in un alloggiamento per esterni approvato. Per ulteriori informazioni
- sull'alloggiamento per esterni, vedere il sito Web all'indirizzo www.axis.com.

Collegamento dei cavi



1. Collegare la videocamera alla rete mediante un cavo di rete schermato.
2. Connettere altre periferiche esterne in ingresso/uscita (facoltativo) come, ad esempio, sistemi di allarme. Per informazioni sui pin della morsettiera di alimentazione, vedere pagina 48
3. Collegare l'alimentazione mediante uno dei metodi elencati di seguito:
 - Il connettore di alimentazione fornito.
 - PoE (Power over Ethernet). Se disponibile, è rilevato automaticamente al collegamento dei cavi.
 - Utilizzare la morsettiera di alimentazione. Per informazioni sui pin della morsettiera di alimentazione, vedere pagina 48.
4. Verificare che i LED indichino le condizioni di funzionamento corrette. Per ulteriori dettagli, vedere la tabella a pagina 49. Notare che alcuni LED possono essere disabilitati o spenti nella pagina web dell'unità.

4 Impostazione di un indirizzo IP

La maggior parte delle reti dispone di un server DHCP che automaticamente assegna gli indirizzi IP ai dispositivi connessi. Se la rete non dispone di un server DHCP, per il dispositivo AXIS 211M viene utilizzato l'indirizzo IP predefinito 192.168.0.90.

Per assegnare un indirizzo IP statico, si consiglia di utilizzare **AXIS IP Utility** o **AXIS Camera Management** in ambiente Windows. In base al numero di videocamere da installare, utilizzare il metodo che meglio si adatta alle proprie esigenze.

Entrambe le applicazioni sono disponibili gratuitamente sul CD del prodotto oppure possono essere scaricate dal sito Web all'indirizzo www.axis.com/techsup.

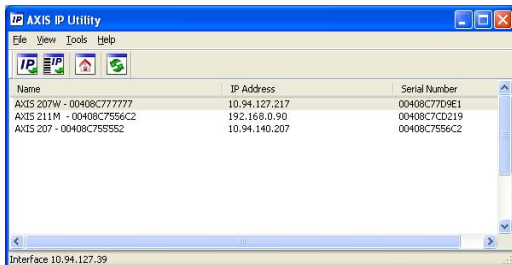
Metodo	Consigliato per...	Sistema operativo
 AXIS IP Utility Vedere pagina 43	Videocamera singola Piccole installazioni	Windows
 AXIS Camera Management Vedere pagina 44	Più videocamere Grandi installazioni Installazione in una diversa subnet	Windows 2000 Windows XP Pro Windows 2003 Server

Note

- Se l'assegnazione dell'indirizzo IP non è riuscita correttamente, verificare che non siano presenti firewall a bloccare l'operazione.
- Per altri metodi di assegnazione o di rilevazione dell'indirizzo IP per il dispositivo AXIS 211M, ad esempio in altri sistemi operativi, vedere pagina 47.

AXIS IP Utility: videocamera singola/piccole installazioni

AXIS IP Utility consente di individuare e visualizzare automaticamente la presenza di periferiche Axis sulla rete. L'applicazione inoltre può essere utilizzare per assegnare manualmente un indirizzo IP statico.




Si tenga presente che il dispositivo AXIS 211M deve essere installato sullo stesso segmento di rete (subnet fisica) del computer sul quale è in esecuzione AXIS IP Utility.

Rilevamento automatico

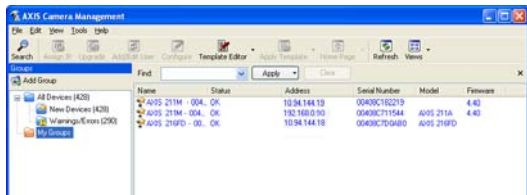
1. Verificare che il dispositivo AXIS 211M sia collegato alla rete e alimentato correttamente.
2. Avviare AXIS IP Utility.
3. Quando la videocamera verrà visualizzata, fare doppio clic su di essa per aprirne la home page.
4. Vedere pagina 45 per istruzioni su come assegnare la password.

Impostazione automatica dell'indirizzo IP

1. Acquisire un indirizzo IP non utilizzato sullo stesso segmento di rete del computer.
2. Fare clic sul pulsante  **Assegna nuovo indirizzo IP mediante numero di serie** e immettere il numero di serie e l'indirizzo IP del dispositivo AXIS 211M, che si trova sull'etichetta del prodotto stesso.
3. Fare clic sul pulsante **Assegna** e seguire le istruzioni visualizzate.
4. Fare clic sul pulsante **Home Page** per accedere alle pagine Web della videocamera.
5. Vedere pagina 45 per istruzioni su come impostare la password.

AXIS Camera Management: più videocamere/grandi installazioni

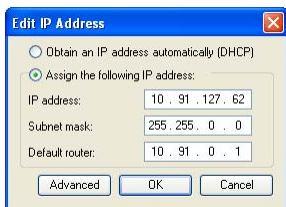
È possibile utilizzare AXIS Camera Management per individuare automaticamente la presenza di più dispositivi Axis, mostrare lo stato di connessione, gestire gli aggiornamenti del firmware e impostare gli indirizzi IP.




Rilevamento automatico

1. Verificare che la videocamera sia collegata alla rete e alimentata correttamente.
2. Avviare AXIS Camera Management. Quando verrà visualizzato il dispositivo AXIS 211M, fare doppio clic su di esso per aprire la home page.
3. Vedere pagina 45 per istruzioni su come impostare la password.

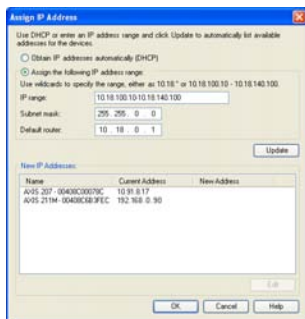
Assegnazione di un indirizzo IP in una singola videocamera




1. Selezionare AXIS 211M in AXIS Camera Management e fare clic sul pulsante Assign IP (Assegna IP) .
2. Selezionare Assign the following IP address (Assegnare il seguente indirizzo IP) e immettere l'indirizzo IP, la subnet mask e il router predefinito utilizzato dal dispositivo.
3. Fare clic sul pulsante OK.

Assegnazione degli indirizzi IP in più videocamere

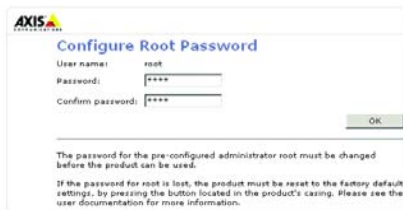
AXIS Camera Management facilita il processo di assegnazione degli indirizzi IP di più videocamere, suggerendo gli indirizzi IP in base a un intervallo specifico.



1. Selezionare le videocamere che si desidera configurare possono essere selezionati differenti modelli e fare clic sul pulsante Assign IP (Assegna IP) .
2. Selezionare Assign the following IP address range (Assegnare il seguente intervallo di indirizzi IP) e immettere l'intervallo di indirizzi IP, la subnet mask e il router predefinito utilizzato dal dispositivo.
3. Fare clic sul pulsante OK.

5 Impostazione della password

Quando si accede al dispositivo AXIS 211M per la prima volta, viene visualizzata la finestra di dialogo **Configure Root Password** (Configura password di primo livello).



1. Immettere la password, quindi inserirla di nuovo per confermarne l'esattezza. Fare clic su **OK**.
2. Immettere il nome utente predefinito **root** nella finestra di dialogo come richiesto. Nota: non è possibile eliminare il nome utente predefinito dell'amministratore **root**.
3. Immettere la password impostata in precedenza e fare clic su **OK**. Se si dimentica la password, sarà necessario ripristinare le impostazioni di fabbrica del dispositivo AXIS 211M. Vedere pagina 50.
4. Se necessario, fare clic su **Sì** per installare **AMC** (Axis Media Control) che consente di visualizzare il flusso video in Microsoft Internet Explorer. A questo scopo è necessario disporre dei privilegi di amministratore.

Viene visualizzata la pagina Immagini dal vivo di AXIS 211M con i collegamenti agli strumenti di configurazione che consentono di personalizzare la videocamera.

Configurazione: fornisce tutti gli strumenti per configurare la videocamera.

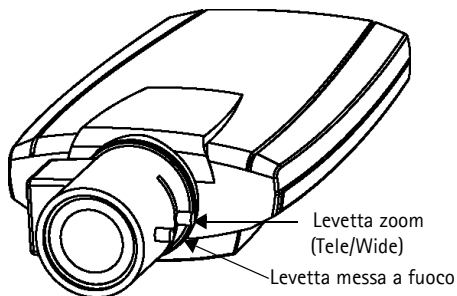


Guida: visualizza la Guida in linea relativa alla modalità di utilizzo della videocamera.

6 Regolazione della messa a fuoco

Per eseguire la messa a fuoco del dispositivo AXIS 211M, seguire le istruzioni seguenti.

1. Nella pagina **Configurazione base** degli strumenti di configurazione, aprire la pagina **Regolazione messa a fuoco**.
2. Impostare DC-Iris su *Disabilitato* e fare clic su **Salva**.
3. Svitare la levetta dello zoom sull'obiettivo girandola in senso antiorario. Regolare l'impostazione dello zoom. Riavvitare la levetta dello zoom.
4. Svitare la levetta della messa a fuoco sull'obiettivo. Regolare la messa a fuoco. Riavvitare la levetta della messa a fuoco.
5. Nella pagina **Regolazione messa a fuoco** impostare DC-Iris su *Abilitato* e fare clic su **Salva**.



Nota: DC-Iris deve sempre essere disabilitato quando si regola la messa a fuoco della videocamera. In questo modo l'obiettivo viene aperto al massimo dando la minima profondità di campo e offrendo le condizioni migliori per una corretta messa a fuoco. La messa a fuoco impostata con questo metodo verrà mantenuta in qualsiasi condizione di luce.

Accesso a AXIS 211M da Internet

Una volta installato, la videocamera AXIS 211M è accessibile dalla LAN. Per accedere alla videocamera da Internet, è necessario configurare i router di rete per consentire il traffico dei dati in entrata, operazione che solitamente viene effettuata su una porta specifica. Per ulteriori istruzioni sul router, fare riferimento alla documentazione. Per ulteriori informazioni relative a questo e altri argomenti, visitare il sito Web del supporto tecnico di Axis all'indirizzo www.axis.com/techsup.

Altri metodi di impostazione dell'indirizzo IP

Nella tabella sopra riportata sono illustrati altri metodi disponibili per impostare o individuare l'indirizzo IP. Tutti i metodi sono disponibili per impostazione predefinita e possono essere tutti disabilitati.

	Sistema operativo	Note
UPnP™	Windows (ME o XP)	Se abilitato sul computer, la videocamera viene rilevata automaticamente e aggiunta a "Risorse di rete".
Bonjour	MAC OSX (versione 10.4 o successive)	Si applica a browser con supporto Bonjour. Selezionare il segnalibro Bonjour nel browser (ad esempio Safari) e fare clic sul collegamento per accedere alle pagine Web della videocamera.
Servizio AXIS Dynamic DNS	Tutti	Un servizio gratuito fornito da Axis che consente di installare la videocamera in modo facile e veloce. È necessaria una connessione a Internet senza proxy HTTP. Per ulteriori informazioni, visitare il sito Web all'indirizzo www.axiscam.net .
ARP/Ping	Tutti	Vedere più avanti. È necessario eseguire il comando entro 2 minuti dal collegamento dell'alimentazione alla videocamera.
Visualizzazione delle pagine di amministrazione del server DHCP	Tutti	Per visualizzare le pagine di amministrazione del server DHCP di rete, vedere la documentazione specifica del server.

Impostazione dell'indirizzo IP con ARP/Ping

1. Acquisire un indirizzo IP sullo stesso segmento di rete cui è connesso il computer utilizzato.
2. Individuare il numero di serie indicato sull'etichetta del dispositivo AXIS 211M.
3. Aprire un prompt dei comandi sul computer e digitare i seguenti comandi:

Sintassi di Windows:	Esempio di Windows
arp -s <Indirizzo IP> <Numero di serie> ping -l 408 -t <Indirizzo IP>	arp -s 192.168.0.125 00-40-8c-18-10-00 ping -l 408 -t 192.168.0.125
Sintassi di UNIX/Linux/Mac:	Esempio di UNIX/Linux/Mac
arp -s <Indirizzo IP> <Numero di serie> temp ping -s 408 <Indirizzo IP>	arp -s 192.168.0.125 00:40:8c:18:10:00 temp ping -s 408 192.168.0.125

4. Verificare che il cavo di rete sia connesso alla videocamera e quindi avviare/riavviare la videocamera, scollegando e ricollegando l'alimentazione.
5. Chiudere il prompt dei comandi una volta visualizzato il messaggio "Risposta da 192.168.0.125: ..." oppure un messaggio simile.
6. Nel browser immettere `http://<indirizzo IP>` nel campo del percorso/indirizzo e premere Invio sulla tastiera.

Note

- Per aprire un prompt dei comandi in Windows: dal menu Start, selezionare Esegui... e immettere cmd. Fare clic su OK.
- Per utilizzare il comando ARP su un sistema operativo Mac OS X, servirsi dell'utilità Terminal, in Applicazioni > Utilità.

Connettori

Connettore di rete - Ethernet RJ-45. Supporto di PoE (Power over Ethernet). Si consiglia l'uso di cavi schermati.

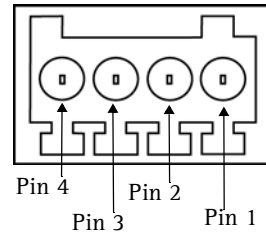
Connettore di alimentazione - A basso voltaggio. 7-20 V CC, massimo 5 W. Vedere l'etichetta sul prodotto per la connessione dei poli \pm .

Ingresso audio - 3,5 mm di ingresso per un solo microfono o per un solo segnale line-in (canale di sinistra utilizzato per un segnale stereo).

Uscita audio - Audio in uscita (livello segnale di linea) che può essere connesso ad un indirizzo pubblico oppure un altoparlante attivo con amplificatore integrato. È possibile collegare un paio di cuffie. È necessario utilizzare un connettore stereo per l'uscita audio.

Morsettiera di alimentazione I/O - utilizzata nelle applicazioni, ad esempio rivelazione del movimento, attivazione di eventi, registrazione continua e notifica allarme. Fornisce l'interfaccia per i seguenti elementi:

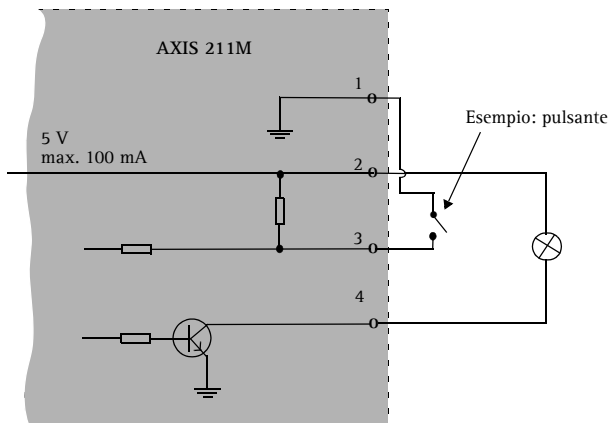
- 1 uscita transistor: consente di connettere dispositivi esterni, quali relé e LED. Le periferiche connesse possono essere attivate da AXIS VAPIX AP, i pulsanti di uscita sulla pagina **Immagini dal vivo** o da un **tipo di evento**. L'uscita verrà visualizzata come attiva (visualizzata in **Configurazione evento > Stato porta**) se il dispositivo di allarme è attivato.
- 1 ingresso digitale: specifico per allarmi, consente di connettere periferiche che possono aprire o chiudere un circuito, ad esempio: sensori di movimento (PIR), contatti porta/finestra, rilevatori di rottura vetri e così via. Quando viene ricevuto il segnale lo stato cambia e l'ingresso diventa attivo (visualizzato in **Configurazione evento > Stato porta**).
- Alimentazione ausiliaria e presa di terra.



Morsettiera di alimentazione: si noti che i pin sono numerati da 1 a 4, da destra a sinistra.

Funzione	Numero pin	Note	Specifiche
GND	1		
Alimentatore CC 5 V	2	Può essere utilizzato come alimentatore alternativo (7-20 V CC) o per alimentare l'apparecchiatura ausiliaria +5 V CC (100mA).	Carico massimo = 100 mA
Ingresso digitale	3	Collegarsi alla messa a terra (GND) per attivare la videocamera oppure lasciarla isolata (o scollegata) per disattivarla.	Non collegare una tensione superiore a 20 V CC
Uscita transistor	4	Collegare alla TERRA (GND) quando è nello stato di attività. Se accoppiata ad un relé esterno, un diodo deve essere collegato in parallelo con il carico, per protezione contro un sovraccarico.	Carico massimo = 100 mA Tensione massima = 24 V CC (al transistor)

Schema delle connessioni



Indicatori LED

LED	Colore	Indicazione
Rete	Verde	Luce fissa: connessione di rete a 100 Mbit/s. Luce lampeggiante: attività di rete.
	Giallo	Luce fissa: connessione di rete a 10 Mbit/s. Luce lampeggiante: attività di rete.
	Spia spenta	Assenza di connessione di rete.
Stato	Verde	Luce verde fissa: condizioni di normale utilizzo. Nota: è possibile configurare il LED di stato in modo che rimanga spento in condizioni di normale utilizzo oppure in modo da ottenere una luce intermittente quando si effettua l'accesso alla videocamera. Per configurarlo, selezionare Configurazione > Opzioni di sistema > Impostazioni LED . Per ulteriori informazioni, consultare la Guida in linea.
	Giallo	Luce fissa: durante l'avvio o il ripristino delle impostazioni predefinite di fabbrica o della configurazione.
	Rosso	Luce lampeggiante lenta: aggiornamento non riuscito.
Alimentazione	Verde	Condizione di normale utilizzo.
	Giallo	Luce lampeggiante verde/gialla: aggiornamento firmware.

Ripristino delle impostazioni di fabbrica

Questa procedura consentirà di ripristinare le impostazioni di fabbrica per tutti i parametri, incluso l'indirizzo IP.

1. Scollegare l'alimentazione dalla videocamera.
2. Tenere premuto il pulsante Control per 15 secondi e ricollegare il cavo di alimentazione.
3. Tenere premuto il pulsante fino a quando l'indicatore di stato diventa giallo (l'operazione può richiedere fino a 15 secondi), quindi rilasciare il pulsante.
4. Quando l'indicatore di stato diventa verde (può essere necessario fino a 1 minuto) vengono ripristinate le impostazioni di fabbrica della videocamera.
5. Riassegnare l'indirizzo IP utilizzando uno dei metodi descritti nel presente documento.

È possibile inoltre ripristinare le impostazioni di fabbrica mediante l'interfaccia Web. Per ulteriori informazioni, consultare la Guida in linea o il Manuale per l'utente.

Ulteriori informazioni

Il Manuale per l'utente è disponibile sul sito Web di Axis all'indirizzo www.axis.com oppure sul CD fornito con il prodotto.

Suggerimento

Visitare il sito Web Axis all'indirizzo www.axis.com/techsup per verificare se sono stati pubblicati aggiornamenti del firmware per il dispositivo AXIS 211M. Per conoscere la versione installata del firmware, vedere la pagina Configurazione base negli strumenti di configurazione.

•

AXIS 211M

Guía de instalación

Esta guía de instalación incluye las instrucciones necesarias para instalar la Cámara de red AXIS 211M en su red. Para obtener información sobre cualquier cuestión relacionada con el uso del producto, consulte el Manual del usuario, disponible en el CD que se incluye en este paquete o en la página www.axis.com/techsup.

Pasos para la instalación

1. Verifique el contenido del paquete con la lista que aparece más abajo
2. Presentación del hardware. Consulte la página 52.
3. Instale el hardware. Consulte la página 53.
4. Configure la dirección IP. Consulte la página 54.
5. Configure la contraseña. Consulte la página 57.
6. Ajuste el enfoque. Consulte la

¡Importante!

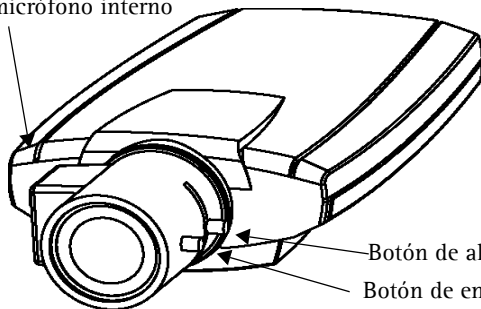
Este producto debe utilizarse de acuerdo con la legislación y la normativa locales.

1 Contenido del paquete

Artículo	Modelos/variantes/notas
Cámara de red	AXIS 211M
Fuente de alimentación interior PS-K (específico del país)	Europa Reino Unido Australia EE.UU./Japón Argentina Corea
Conector del bloque de terminales	Un bloque de conectores de 4 pines para conectar dispositivos externos al conector de terminal de E/S
Soporte de cámara	Suministrado con tornillos de montaje
CD	CD sobre el producto de vídeo de red de Axis, que incluye herramientas de instalación, otro software y documentación acerca del producto
Documentación	Guía de instalación de AXIS 211M (este documento) Documento de garantía de Axis

2 Presentación del hardware

Indicador de estado y micrófono interno



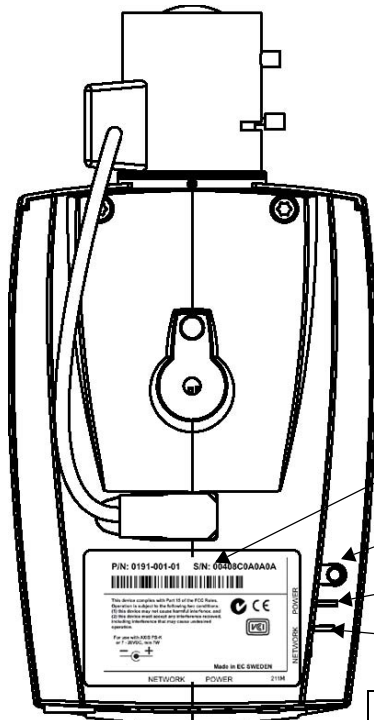
Botón de alejar/acercar
Botón de enfoque

Conector del terminal de E/S

Panel posterior

Conector de alimentación
Conector de red

Parte inferior



Entrada de audio
Salida de audio

Cable de control de DC-Iris

Número de serie

Botón de control

Indicador de alimentación(LED)

Indicador de red(LED)

Dimensiones

Alt. x Anch. x Prof. = 44 x 88 x 172 mm (1,7" x 3,5" x 6,8")
Peso = 244 g (0,5 lb) (fuente de alimentación no incluida)

3 Instalación del hardware

IMPORTANTE: La AXIS 211M está destinada al uso en interiores y exteriores. Para utilizar la cámara en exteriores, debe instalarse en una caja protectora para exterior aprobada. Para obtener más información sobre cajas para exterior, consulte la página www.axis.com.

Conexión de los cables



1. Conecte la cámara a la red con un cable de red blindado.
2. También puede conectar dispositivos de entrada/salida externos, como dispositivos de alarma. Para obtener más información sobre los pines del conector del terminal, consulte la página 60.
3. Conecte la alimentación utilizando uno de los métodos especificados en la lista que aparece a continuación:
 - El conector de alimentación suministrado.
 - PoE (corriente a través de Ethernet). Si está disponible, se detecta automáticamente cuando el cable de red está conectado (consulte la ilustración anterior).
 - Conecte la alimentación mediante el conector de terminal. Para obtener más información sobre los pines del conector del terminal, consulte la página 60.
4. Compruebe que los indicadores LED muestran las condiciones adecuadas. Para obtener información más detallada, consulte la tabla de la página 61. Tenga en cuenta que algunos LED pueden deshabilitarse y apagarse.

4 Configuración de una dirección IP

Actualmente, la mayoría de redes disponen de un servidor DHCP que asigna direcciones IP a dispositivos conectados de forma automática. Si su red no dispone de un servidor DHCP, AXIS 211M utilizará 192.168.0.90 como dirección IP predeterminada.

Si desea asignar una dirección IP estática, el método de Windows recomendado es **AXIS IP Utility** o **AXIS Camera Management**. En función del número de cámaras que desee instalar, deberá utilizar el método que se adapte mejor a sus necesidades.

Ambas aplicaciones son gratuitas y están disponibles en el CD del producto de vídeo en red de Axis suministrado con este producto o pueden descargarse de www.axis.com/techsup.

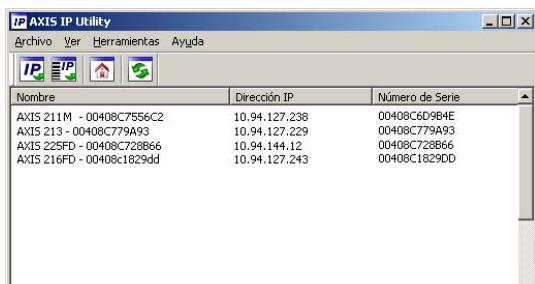
Método	Recomendado para	Sistema operativo
 AXIS IP Utility Consulte la página 55	Cámaras individuales Instalaciones pequeñas	Windows
 AXIS Camera Management Consulte la página 56	Varias cámaras Instalaciones grandes Instalación en una subred dife- rente	Windows 2000 Windows XP Pro Windows 2003 Server

Notas:

- Si no puede asignar la dirección IP, compruebe que no haya ningún firewall que bloquee la operación.
- Consulte la página 59 para conocer otros métodos para asignar o detectar la dirección IP de la AXIS 211M, por ejemplo, en otros sistemas operativos.

AXIS IP Utility: para cámaras individuales o instalaciones pequeñas

AXIS IP Utility encuentra y muestra automáticamente los dispositivos Axis que existen en la red. Además, puede utilizarse para asignar manualmente una dirección IP estática.




Recuerde que el equipo que ejecute AXIS IP Utility debe instalarse en el mismo segmento de red (subred física) que la AXIS 211M.

Detección automática

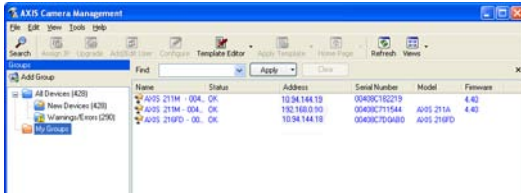
1. Compruebe que la AXIS 211M está conectada a la red y que recibe alimentación.
2. Inicie AXIS IP Utility.
3. Cuando la cámara aparezca en la ventana, haga doble click en ella para abrir su página de inicio.
4. Consulte la página 57 para obtener instrucciones sobre cómo asignar la contraseña.

Asignación manual de la dirección IP (opcional)

1. Obtenga una dirección IP que no esté en uso y que se encuentre en el mismo segmento de red que su PC.
2. Seleccione el nombre de producto en la lista.
3. Haga clic en el botón **Asignar nueva dirección IP al dispositivo**  e introduzca la dirección IP.
4. Haga clic en el botón **Asignar** y siga las instrucciones.
5. Haga clic en **Página de inicio** para acceder a las páginas Web de la cámara.
6. Consulte la página 57 para obtener instrucciones sobre cómo configurar la contraseña.

AXIS Camera Management: para varias cámaras e instalaciones grandes

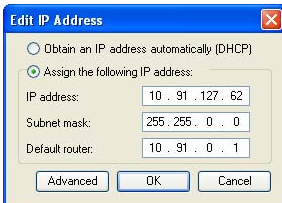
AXIS Camera Management puede detectar automáticamente varios dispositivos Axis, mostrar el estado de la conexión, administrar las actualizaciones del firmware y configurar direcciones IP.




Detección automática

1. Compruebe que la cámara está conectada a la red y que recibe alimentación.
2. Inicie AXIS Camera Management. Cuando aparezca la AXIS 211M en la ventana, haga doble click en el icono para abrir la página de inicio.
3. Consulte la página 57 para obtener instrucciones sobre cómo configurar la contraseña.

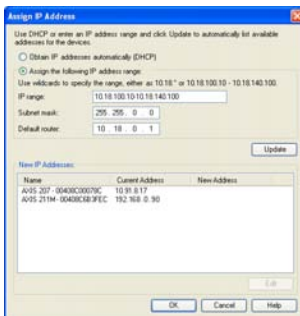
Asignación de una dirección IP en un dispositivo individual




1. Seleccione AXIS 211M en AXIS Camera Management y haga click en el botón Assign IP (Asignar IP). 
2. Seleccione Assign the following IP address (Asignar la dirección siguiente) e introduzca la IP la máscara de subred y el enrutador predeterminado que utilizará el dispositivo.
3. Haga click en el botón OK (Aceptar).

Asignación de direcciones IP en varios dispositivos

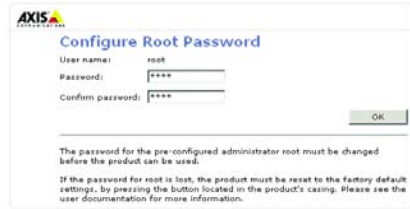
AXIS Camera Management acelera el proceso de asignación de direcciones IP en varios dispositivos indicando direcciones IP disponibles dentro de un intervalo especificado.



1. Seleccione los dispositivos que desee configurar (se pueden seleccionar varios modelos) y haga click en el botón Assign IP (Asignar IP). 
2. Seleccione Assign the following IP address range (Asignar la siguiente dirección) e introduzca las direcciones IP, la máscara de subred y el enrutador predeterminado que utilizará el dispositivo.
3. Haga click en el botón OK (Aceptar).

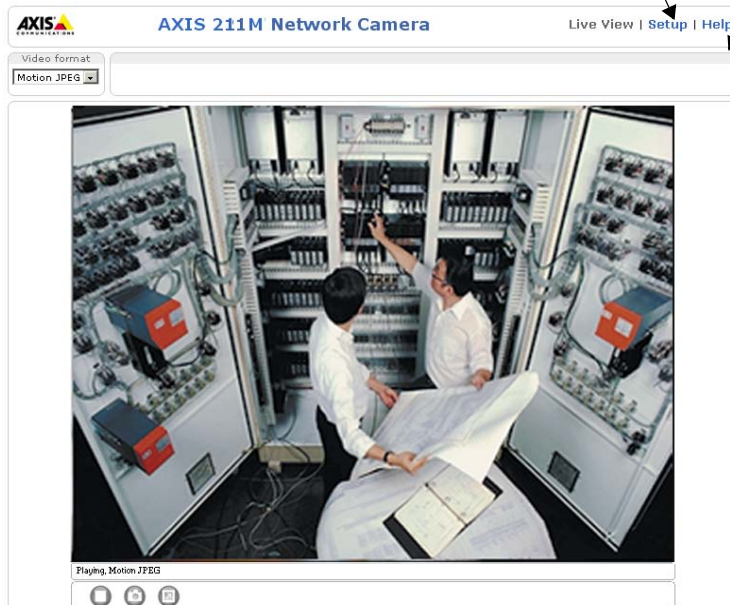
5 Configuración de la contraseña

Al acceder a la AXIS 211M por primera vez, aparecerá el cuadro de diálogo “Configure Root Password” (Configurar contraseña de root).



1. A continuación, escriba una contraseña y vuelva a escribirla para confirmarla. Haga click en OK (Aceptar).
2. Escriba el nombre de usuario root solicitado en el cuadro de diálogo.
Nota: El nombre de usuario predeterminado para el administrador root no se puede borrar.
3. Escriba la contraseña que introdujo anteriormente y haga click en OK (Aceptar). Si olvidó la contraseña, debe restablecer la AXIS 211M a los valores iniciales. Consulte la página 62.
4. En caso necesario, haga click en Sí para instalar el AMC (AXIS Media Control) y así permitir la visualización del flujo de vídeo continuo en Internet Explorer. Para ello, debe tener derechos de administrador en su ordenador.
La página En vivo de la AXIS 211M aparece con enlaces a las herramientas de configuración que le permiten personalizar la cámara.

Configuración: proporciona todas las herramientas para configurar la cámara según sus necesidades.

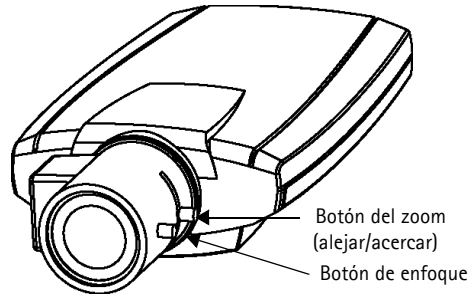


Ayuda: presenta ayuda en línea sobre todos los aspectos del uso de la cámara.

6 Ajuste del enfoque

Para enfocar la AXIS 211M, siga las instrucciones siguientes:

1. Abra la página **Ajuste del enfoque** desde la página **Configuración básica** de las herramientas de configuración.
2. Ajuste DC-Iris como *habilitado* y haga click en **Guardar**.
3. Desatornille el botón del zoom de las lentes girándolo en sentido contrario a las agujas del reloj. Ajuste la configuración de zoom según sea necesario. Vuelva a fijar el botón del zoom.
4. Desatornille el botón de enfoque de las lentes. Ajuste el enfoque según sea necesario. Vuelva a fijar el botón de enfoque.
5. Desde la página de ajuste del enfoque, configure DC-Iris en *habilitado* y haga click en **Guardar**.



Nota: Mientras se enfoca la cámara, DC-Iris tiene que estar siempre *habilitado*. Así, se abre el iris al máximo, proporcionando la menor profundidad de campo posible y, por tanto, las mejores condiciones para un enfoque correcto. Si se configura el enfoque con este método, se mantendrá en cualquier condición de iluminación.

Acceso a la AXIS 211M desde Internet

Una vez instalado, puede acceder a la AXIS 211M desde su red local (LAN). Para acceder a la cámara desde Internet, los routers de red deben estar configurados para permitir el tráfico de datos de entrada, que normalmente se efectúa en un puerto específico. Para obtener más instrucciones, consulte la documentación de su router. Para obtener más información sobre este u otros temas, visite la página de asistencia técnica de Axis en www.axis.com/techsup.

Otros métodos para configurar la dirección IP

En esta tabla se muestran todos los métodos disponibles para configurar o detectar la dirección IP. Todos los métodos están habilitados de forma predeterminada y es posible deshabilitarlos.

	Sistema operativo	Notas
UPnP™	Windows (ME o XP)	La cámara se detecta y se añade a "Mis sitios de red" automáticamente, siempre que esta opción esté habilitada en el equipo.
Bonjour	MAC OSX (10.4 o posterior)	Aplicable a navegadores compatibles con Bonjour. Navegue hasta el favorito Bonjour™ del explorador (p. ej., Safari) y haga click en el vínculo para acceder a las páginas Web de la cámara.
AXIS Dynamic DNS Service	Todos	Servicio gratuito de Axis que permite instalar la cámara de forma rápida y sencilla. Es necesario disponer de conexión a Internet sin proxy HTTP. Para más información consulte www.axiscam.net .
ARP/Ping	Todos	Véase más adelante. El comando debe emitirse en los dos minutos posteriores al encendido de la cámara.
Visualización de las páginas de administración del servidor DHCP	Todos	Para visualizar las páginas admin. del servidor DHCP en red, consulte la documentación del servidor.

Configuración de la dirección IP con ARP/Ping

1. Obtenga una dirección IP en el mismo segmento de red en el que está conectado su equipo.
2. Localice el número de serie (N/S) en la etiqueta de la AXIS 211M.
3. Abra una línea de comandos en su equipo y escriba los comandos siguientes:

Comando de Windows :	Ejemplo de Windows
arp -s <Dirección IP> <Número de serie> ping -l 408 -t <Dirección IP>	arp -s 192.168.0.125 00-40-8c-18-10-00 ping -l 408 -t 192.168.0.125
Comando de UNIX/Linux/Mac	Ejemplo de UNIX/Linux/Mac
arp -s <Dirección IP> <Número de serie> temp ping -s 408 <Dirección IP>	arp -s 192.168.0.125 00:40:8c:18:10:00 temp ping -s 408 192.168.0.125

4. Compruebe que el cable de red está conectado a la cámara y desconecte y vuelva a conectar la alimentación para iniciarla o reiniciarla.
5. Cierre la línea de comando cuando vea 'Reply from 192.168.0.125: ...' o similar.
6. En el explorador, escriba <http://<dirección IP>> en el campo Ubicación/Dirección y pulse Intro en el teclado.

Notas:

- Para abrir una línea de comandos en Windows: desde el menú Inicio, seleccione Ejecutar... y escriba cmd. Haga click en Aceptar.
- Para utilizar el comando ARP en un sistema operativo Mac OS X, utilice la herramienta Terminal, que se encuentra en Aplicaciones > Utilidades.

Conectores

Conector de red - Conector Ethernet RJ-45. Compatible con PoE (corriente a través de Ethernet). Se recomienda emplear cables blindados.

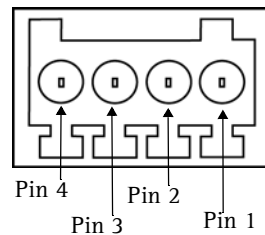
Conector de alimentación - Conector mini de CC. 7-20 V CC, máx. 5 W. Consulte la etiqueta del producto para información sobre la conexión de polaridad **positiva o negativa**.

Entrada de audio - Entrada de 3,5 mm para micrófono mono o señal de entrada de línea mono (en caso de señal estéreo se utiliza el canal izquierdo).

Salida de audio - Salida de audio (nivel de línea) que puede conectarse a un sistema de dirección pública o un altavoz activo con amplificador incorporado. También pueden añadirse unos auriculares. Para la salida de audio, debe utilizarse un conector estéreo.

Conector del terminal de E/S - Utilizado, por ejemplo, en aplicaciones de detección de movimiento, activación de eventos, grabación de intervalos de tiempo y notificaciones de alarma. Proporciona la interfaz de conexión para:

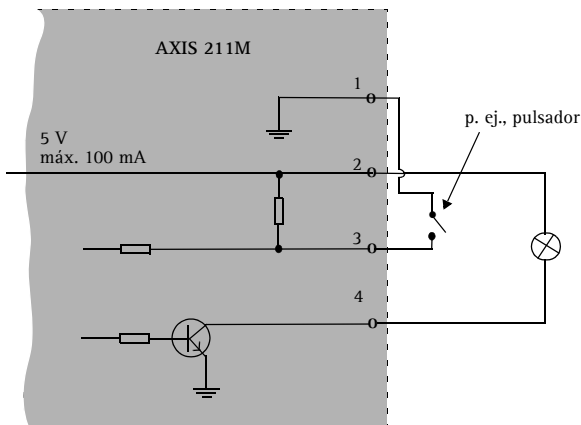
- 1 salida por transistor: para conectar dispositivos externos como relés y LED. Los dispositivos conectados se pueden activar mediante la AP de AXIS VAPIX, los botones de salida de la página **En vivo** o mediante un **tipo de evento**. La salida se mostrará activa (indicado en **Configuración de eventos > Estado del puerto**) si el dispositivo de alarma está activado.
- 1 entrada digital: una entrada de alarma para conectar dispositivos que puedan alternar circuitos cerrados y abiertos, como detectores PIR, contactos de puertas y ventanas, detectores de rotura de cristales, etc. Cuando se recibe una señal, el estado cambia y la entrada se vuelve activa (indicado en **Configuración de eventos > Estado del puerto**).
- Alimentación auxiliar y toma a tierra



Conector de terminal. Observe que los pines están numerados del 1 al 4 de derecha a izquierda.

Función	Número de pin	Notas	Especificaciones
GND	1		
Alimentación de 5 V CC	2	Puede utilizarse como fuente de alimentación alternativa (7-20 V CC) o para suministrar alimentación a equipos auxiliares de +5 V CC (100 mA).	Carga máx. = 100 mA
Entrada digital	3	Conecte a tierra para activarla o déjala al aire (o desconectada) para desactivarla.	No debe exponerse a voltajes superiores a 20 V CC
Salida de transistor	4	Conectar a GND (tierra) cuando es activado. Si se utiliza con un relé externo, un diodo debe estar conectado en paralelo con la carga, para la protección contra transitorios de voltaje.	Carga máx. = 100 mA Voltaje máx. = 24 V CC (al transistor)

Diagrama de conexiones



Indicadores LED

LED	Color	Indicación
Red	Verde	Fijo para indicar conexión a una red de 100 Mbit/s. Parpadeo para indicar actividad de red.
	Ámbar	Fijo para indicar conexión a una red de 10 Mbit/s. Parpadeo para indicar actividad de red.
	Apagado	Sin conexión de red.
Estado	Verde	Fijo para indicar funcionamiento normal. Nota: Puede configurarse el LED de estado para que esté apagado durante el funcionamiento normal o para que parpadee únicamente cuando se accede a la cámara. Para ello, vaya a Configuración > Opciones de sistema > Configuración de LED . Para obtener más información, consulte los archivos de la ayuda en línea.
	Ámbar	Fijo durante el inicio o durante el restablecimiento de los valores iniciales o de valores de configuración.
	Rojo	Parpadeo lento si no se puede realizar una actualización.
Alimentación	Verde	Funcionamiento normal.
	Ámbar	Parpadeo verde/ámbar durante la actualización del firmware.

Restablecimiento de los valores iniciales

Esta operación reconfigurará todos los parámetros, incluida la dirección IP, a los valores iniciales:

1. Desconecte la alimentación de la cámara.
2. Mantenga presionado el botón de control durante 15 segundos y vuelva a conectar la alimentación.
3. Mantenga presionado el botón hasta que el indicador de estado emita una luz ámbar (puede tardar hasta 15 segundos) y suéltelo.
4. Cuando en el indicador de estado se encienda una luz verde, lo cual puede tardar hasta 1 minuto, se habrán restablecido los valores iniciales de la cámara.
5. Vuelva a asignar la dirección IP utilizando uno de los métodos descritos en este documento.

También es posible restablecer los valores predeterminados de la cámara mediante la interfaz Web. Si desea más información, consulte la ayuda en línea o el manual del usuario.

Más información

Podrá acceder al Manual del usuario desde el sitio Web de Axis www.axis.com, o bien a través del CD sobre el producto de vídeo de red de Axis suministrado con este producto.

Sugerencia:

Entre en www.axis.com/techsup para comprobar si hay firmware actualizado disponible para la AXIS 211M. Para ver la versión de firmware que se encuentra instalada en ese momento, consulte la página Web Configuración básica en las herramientas de configuración del producto.

AXIS 211M Installation Guide v1.1
Copyright © Axis Communications AB, 2007-2010

February 2010
Part No. 38392

Free Manuals Download Website

<http://myh66.com>

<http://usermanuals.us>

<http://www.somanuals.com>

<http://www.4manuals.cc>

<http://www.manual-lib.com>

<http://www.404manual.com>

<http://www.luxmanual.com>

<http://aubethermostatmanual.com>

Golf course search by state

<http://golfingnear.com>

Email search by domain

<http://emailbydomain.com>

Auto manuals search

<http://auto.somanuals.com>

TV manuals search

<http://tv.somanuals.com>