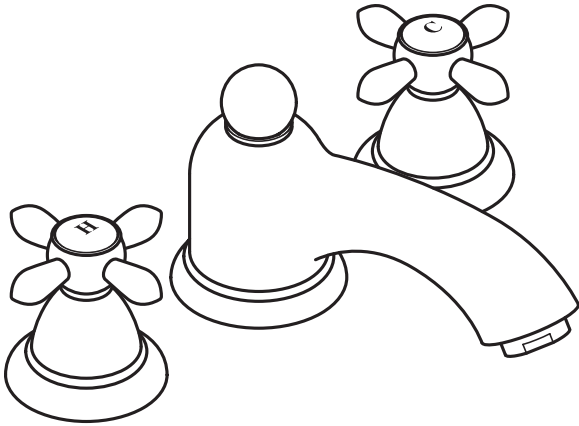


Axor Carlton Widespread Lav Set

17133XX1



Product Features

- Cross handles
- Flexible connection hoses
- 90° Ceramic cartridges
- Includes pop-up drain
- 2.2 gpm

Code Compliance

This unit meets or exceeds the following:

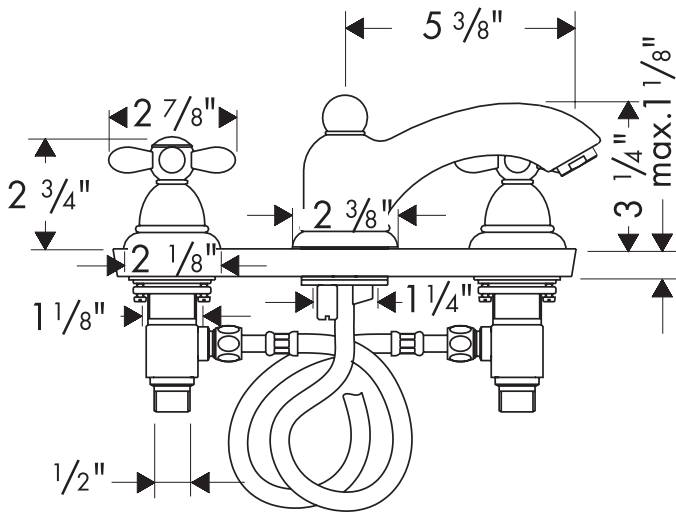
- ASME A112.18.1
- CSA B125.1
- Listed by IAPMO
- Approved for use in Massachusetts

Available Finishes

| | |
|-------------------|----------|
| Chrome | 17133001 |
| Oil Rubbed Bronze | 17133621 |
| Brushed Nickel | 17133821 |
| Polished Nickel | 17133831 |

Installation Notes

- Requires 1/2" supply lines



The measurements shown are for reference only.

Products and specifications shown are subject to change without notice.

Specification sheet revised 4/2008

AXOR
hansgrohe

Free Manuals Download Website

<http://myh66.com>

<http://usermanuals.us>

<http://www.somanuals.com>

<http://www.4manuals.cc>

<http://www.manual-lib.com>

<http://www.404manual.com>

<http://www.luxmanual.com>

<http://aubethermostatmanual.com>

Golf course search by state

<http://golfingnear.com>

Email search by domain

<http://emailbydomain.com>

Auto manuals search

<http://auto.somanuals.com>

TV manuals search

<http://tv.somanuals.com>