
BEKO

Chimney Hood - Model:

HBV60X

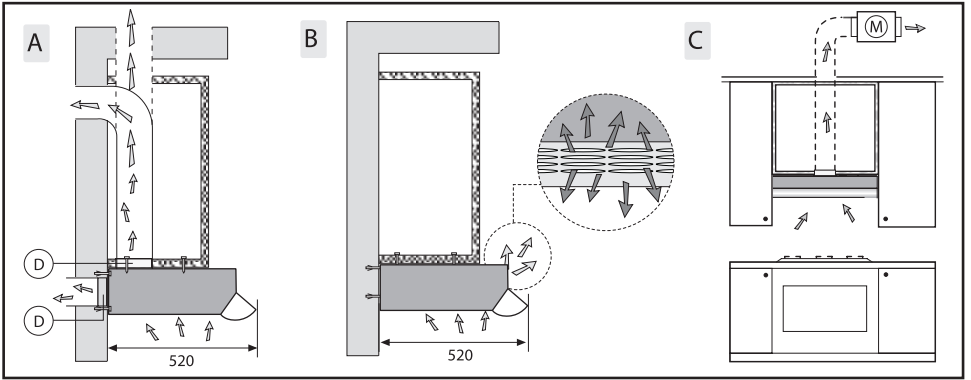


Fig.1

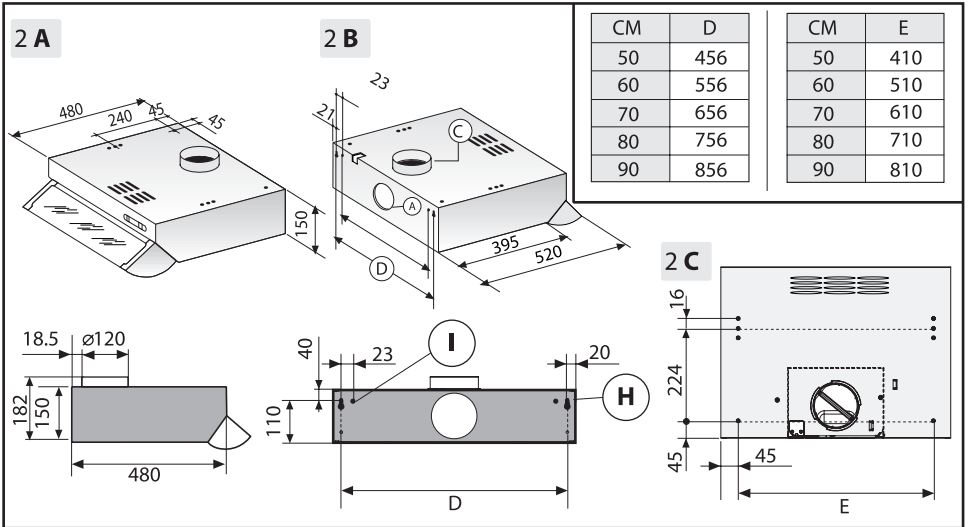
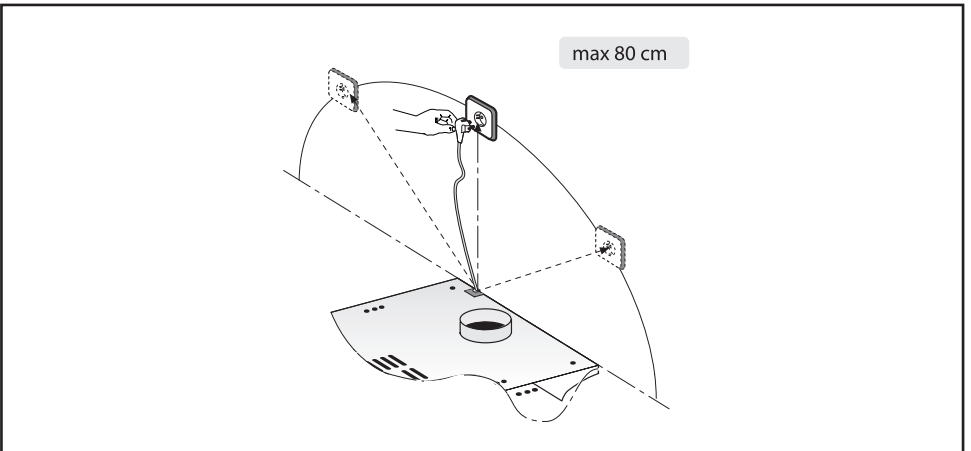


Fig.2



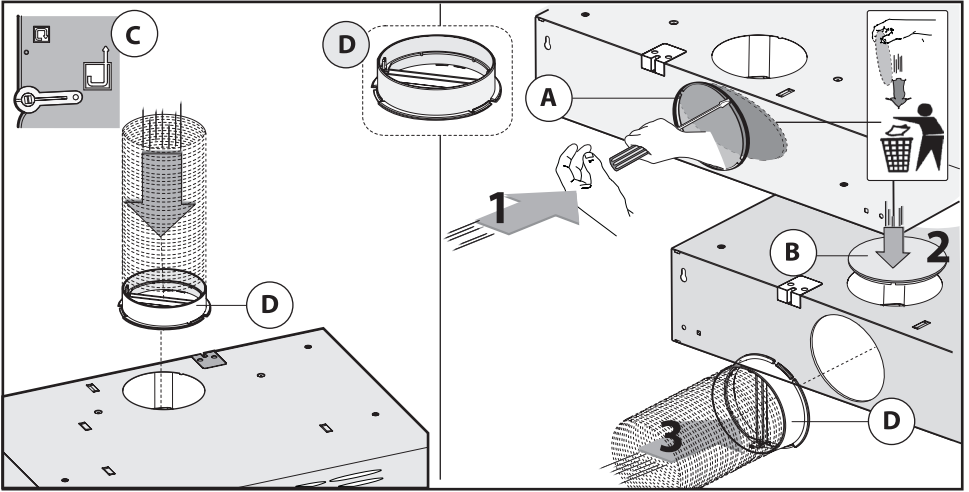


Fig.3

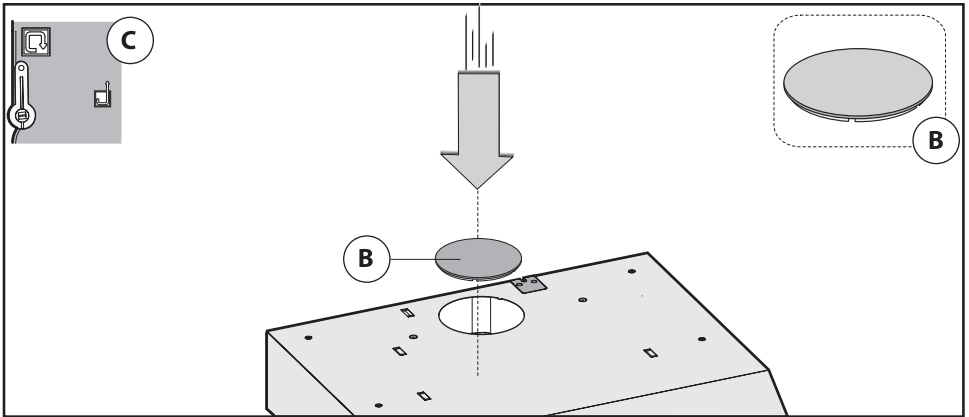


Fig.4

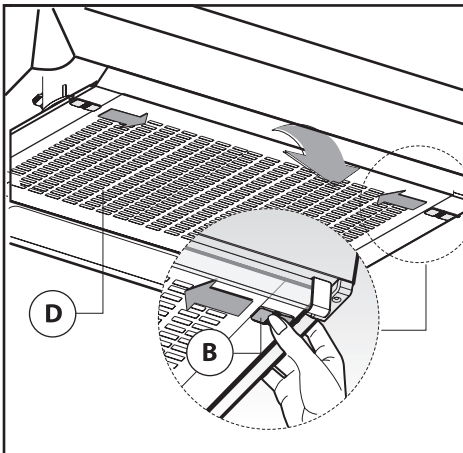


Fig.5

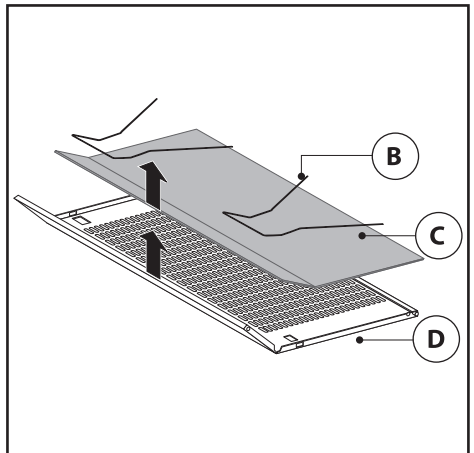


Fig.6

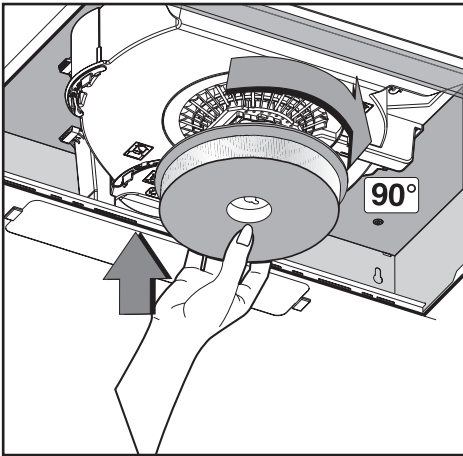


Fig.7

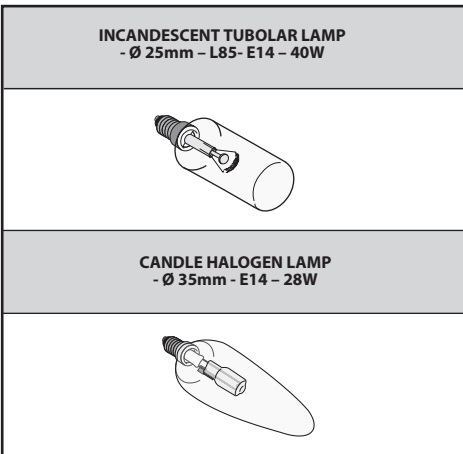
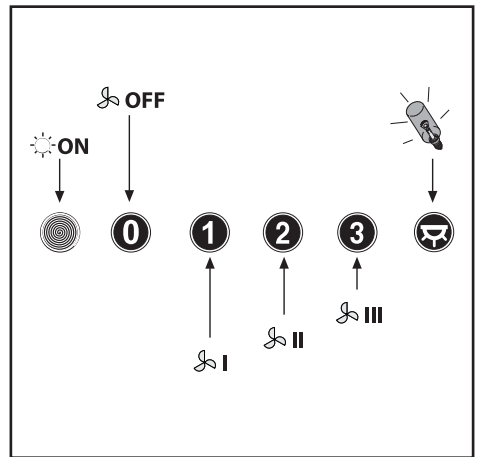
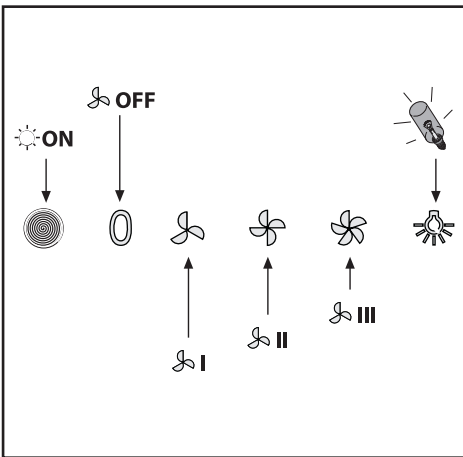
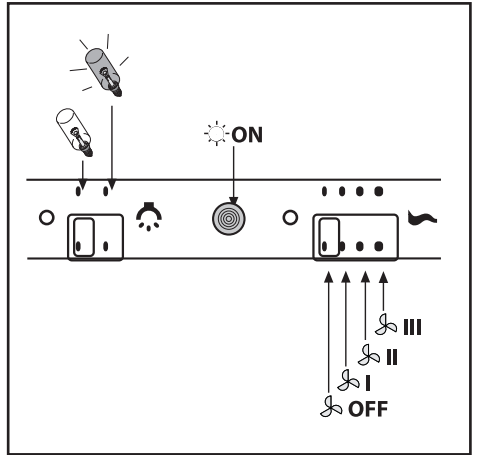


Fig.8

GENERAL

Carefully read the following important information regarding installation safety and maintenance. Keep this information booklet accessible for further reference. The appliance has been designed for use in the ducting version (air exhaust to the outside – Fig.1B), filtering version (air circulation of the inside – Fig.1A) or with external motor (Fig.1C).

SAFETY PRECAUTION

1. Take care when the cooker hood is operating simultaneously with an open fireplace or burner that depend on the air in the environment and use a fuel source other than electrical energy, as the cooker hood removes the air from the environment which a burner or fireplace need for combustion. The negative pressure in the environment must not exceed 4Pa (4x10⁻⁵ bar). Provide adequate ventilation in the environment for a safe operation of the cooker hood. Follow the local laws applicable for external air evacuation.

Before connecting the model to the electricity network:

- check the data plate (positioned inside the appliance) to ascertain that the voltage and power correspond to the network and the socket is suitable. If in doubt ask a qualified electrician.
- If the power supply cable is damaged, it must be replaced with another cable or a special assembly, which may be obtained direct from the manufacturer or from the Technical Assistance Centre.
- This device must be hardwired to the mains supply network by connecting to a single phase spur protected by **3A fuse**.


2. Warning!

In certain circumstances electrical appliances may be a danger hazard.

- A) Do not check the status of the filters while the cooker hood is operating.**
- B) Do not touch bulbs or adjacent areas, during or straight after prolonged use of the appliance.**
- C) Flambè cooking is prohibited underneath the cooker hood.**
- D) Avoid leaving exposed flames and always ensure that the burners are covered as open flames are damaging for the filters and a fire hazard.**
- E) Constantly check food frying to avoid overheated oil becoming a fire hazard.**
- F) Disconnect the electrical plug prior to any maintenance.**
- G) This appliance is not intended for use by young children or infirm persons without supervision.**
- H) Young children should be supervised to ensure they do not play with the appliance.**
- I) There shall be adequate ventilation of the room when the rangehood is used at the same time as appliances burning gas or other fuels.**
- L) There is a risk of fire if cleaning is not carried out in accordance with the instructions.**

This appliance conforms to the European Directive EC/2002/96, Waste Electrical and Electronic Equipment (WEEE). By making sure that this appliance is disposed of in

a suitable manner, the user is helping to prevent potential damage to the environment or to public health.

 The symbol on the product or on the accompanying paperwork indicates that the appliance should not be treated as domestic waste, but should be delivered to a suitable electric and electronic appliance recycling collection point. Follow local guidelines when disposing of waste. For more information on the treatment, re-use and recycling of this product, please contact your local authority, domestic waste collection service or the shop where the appliance was purchased.

INSTALLATION INSTRUCTIONS

Assembly and electrical connections must be carried out by specialised personnel.

• Electrical Connection

The appliance has been manufactured as a class II, therefore no earth cable is necessary.

The connection to the mains is carried out as follows:

BROWN = **L** line

BLUE = **N** neutral

If not provided, connect a plug for the electrical load indicated on the description label. Where a plug is provided, the cooker hood must be installed in order that the plug is easily accessible.

An omnipolar switch with a minimum opening of 3mm between contacts, in line with the electrical load and local standards, must be placed between the appliance and the network in the case of direct connection to the electrical network.

- The minimum distance between the support surfaces of the cooking pots on the cooker top and the lowest part of the cooker hood must be at least 65 cm. If a connection tube composed of two parts is used, the upper part must be placed outside the lower part. Do not connect the cooker hood exhaust to the same conductor used to circulate hot air or for evacuating fumes from other appliances generated by other than an electrical source. Before proceeding with the assembly operations, remove the anti-grease filter(s) (Fig.6) so that the unit is easier to handle.
- In the case of assembly of the appliance in the suction version prepare the hole for evacuation of the air.

- We recommend the use of an air exhaust tube which has the same diameter as the air exhaust outlet hole. If a pipe with a smaller diameter is used, the efficiency of the product may be reduced and its operation may become noisier.

- **Warning:** if the bulbs are not working, ensure that they are screwed in fully.

• Installation

Prior to proceeding with the assembly operations (according to the model that you have purchased), to facilitate handling of the device, remove the grille as indicated in Fig. 5.

- The appliance is equipped with 2 air outlets, to be used in accordance with your specific requirements: one is located on the upper part of the appliance and the other at the rear (Fig. 1A). The flange **D**, to which the air exhaust pipe is connected, and a plug **B**, used to shut off the unused air outlet, are both

supplied with the product.

• This device may be installed in two different ways:

1. Fixing the hood to the lower part of the wall cabinet (Fig.2)

- Make 4 holes in the wall cabinet respecting the measurements indicated in figures 2 A-2 C.

- Position the hood underneath the wall cabinet and fix it into place using 4 screws (not supplied) suitable for the type of cabinet.

2. Fixing the hood to the wall (Fig.2).

- Make 4 holes in the wall cabinet referring to the measurements indicated in figures 2 A-2 B. - Hang the hood on the wall, using the 2 holes H, align it in a horizontal position and fix it definitively to the wall using the two lower safety holes I (Fig. 2B). For the various installations use screws and screw anchors suited to the type of wall (e.g. reinforced concrete, plasterboard, etc.). If the screws and screw anchors are provided with the product, check that they are suitable for the type of wall on which the hood is to be fixed.

The hood is already prepared for the version with which it was ordered. The versions may be:

- **Extraction** (Fig. 1A-3)

- **Filter** (Fig. 1B-4-7).

- If the hood is an **extractor** model, the lever **C** must be positioned as indicated in Fig. 3.

- If the hood is a **filter** model, the lever **C** must be positioned as indicated in Fig. 4.

• **Extractor version**

The appliance expels the fumes through an outside wall or a duct. It is necessary to buy a telescopic pipe in accordance with the standards in use (flammable) and connect it to flange **D** (Fig 1A). The flange **D** is supplied with the product and should be fixed above the air outlet hole of the hood as indicated in Fig. 3.

• **Filtering version**

To transform an extractor hood version into a filter hood version, please inquire with your retailer about purchasing charcoal filters. The filters should be fitted to the extraction assembly inside the hood, by centring them and rotating them 90 degrees, until they click into place (Fig. 7). To do this, remove the grille **D** (Fig. 5). Close the air outlet opening with the plug **B**, as indicated in Fig. 4.

USE AND MAINTENANCE

• It is recommended to operate the appliance prior to cooking. It is recommended to leave the appliance in operation for 15 minutes after cooking is terminated in order to completely eliminate cooking vapours and odours.

The proper function of the cooker hood is conditioned by the regularity of the maintenance operations, in particular, the active carbon filter.

• The anti-grease filters capture the grease particles suspended in the air, and are therefore subject to clogging according to the frequency of the use of the appliance.

In order to prevent fire hazard, it is recommendable to clean the filter at a maximum of 2 months by carrying out the following instructions:

- Remove the filters from the cooker hood and wash them in a

solution of water and neutral liquid detergent, leaving to soak.

- Rinse thoroughly with warm water and leave to dry.

- The filters may also be washed in the dishwasher.

The aluminium panels may alter in colour after several washes.

This is not cause for customer complaint nor replacement of panels.

• The active carbon filters purify the air that is replaced in the environment. The filters are not washable nor re-useable and must be replaced at maximum every four months. The saturation of the active carbon filter depends on the frequency of use of the appliance, by the type of cooking and the regularity of cleaning the anti-grease filters.

• Clean the fan and other surfaces of the cooker hood regularly using a cloth moistened with denatured alcohol or non abrasive liquid detergent.

• The illumination installation is designed for use during cooking and not for prolonged general illumination of the environment. Prolonged use of the illumination installation notably reduces the duration of the bulb.

• **Replacing the acrylic or metal panels**

To replace the acrylic or metal panels you need to first remove the grille **D** by pushing the two side buttons **B** inwards as indicated in figure 5. Remove the two filter clips **B** (fig. 6) and the acrylic or metal panel **C**. To reassemble the part, simply perform the procedure in reverse.

• **Replace incandescent/halogen/fluorescent lamps (Fig.8):**

Only use lamps of the same type and Wattage installed on the device.

• **FILTER REMOVAL**

WARNING - ENSURE THE APPLIANCE IS SWITCHED OFF AT THE MAINS BEFORE REPLACING THE BULBS AND FILTERS.

1. remove the filters by lifting the recessed handle and lift free from the hood frame.

2. To reinstall the filters position in the recess at the rear and press to lock in position.

BULB REPLACEMENT

1. Remove the filters

2. Unscrew the bulb in an anti-clock wise direction.

3. After installing the correct replacement bulb, refit the filter.

Replacement bulbs can be easily obtained from a good electrical or DIY store.

BEFORE CALLING SERVICE/TROUBLE SHOOTING

The hood was switched on but the unit does not operate.

• Have you plugged in/switched on the power supply at the socket?

• Check for a blown fuse/or trip.

Extraction is poor

• Check and clean the filters if required, if required, if active filters are present replacement filters maybe required.

• Check that the exhaust ducting is not obstructed.

THE MANUFACTURER DECLINES ALL RESPONSIBILITY FOR EVENTUAL DAMAGES CAUSED BY BREACHING THE ABOVE WARNINGS.

Guarantee and Service

Your Beko product is guaranteed against the cost of breakdown repairs for twelve months from the date of the original purchase.

What is covered?

- All repairs necessary as a result of faulty materials, defective components or manufacturing defect.
- The cost of all functional replacement parts.
- The labour costs of a Beko approved repairer to carry out the repair

What is not covered?

- Transit or delivery damage
- Accidental damage
- Misuse, or abuse.
- Cabinet or appearance parts, including knobs and flaps
- Accessory items, including ice trays, scrapers, cutlery baskets
- Repairs required as a result of unauthorised repairs or inexperienced installation that fails to meet the requirements contained in the user instruction book.
- Repairs to products used on commercial or non-residential household premises

Important notes.

- The product is guaranteed for domestic household use only.
- The guarantee will be void if the product is installed or used in commercial or non-residential household premises.
- The product must be correctly installed, located and operated in accordance with the instructions contained in the User Instruction Booklet provided.
- Professional Installation by a qualified plumber/electrical appliance installer is recommended for all Washing & Dishwashing Machines and Electric Cookers
- Gas appliances must only be installed by a Gas Safe (or BORD GAIS) registered Gas Installer.
- The guarantee is given only within the boundaries of the United Kingdom.
- The guarantee is not transferable if the product is resold.
- Beko plc disclaims any liability for incidental or consequential damages
- The guarantee does not in anyway diminish your statutory or legal rights.

HOW TO OBTAIN SERVICE UNDER THE MANUFACTURERS WARRANTY

Please keep your purchase receipt or other proof of purchase in a safe place; you will need to have it should the product require attention in the guarantee period

You should also complete the details below; it will help us assist you quicker when requesting service. (The model number is printed on the Instruction Booklet)

Model Number:

Purchased From:

Date of Purchase:

For service under guarantee simply telephone the appropriate number below

UK Mainland & Northern Ireland

Fridges & Freezers

0845 600 4903/0345 600 4903

Electric Cookers

0845 600 4902/0345 600 4902

Gas & Dual Fuel Cookers

0845 600 4905/0345 600 4905

Washing Machines & Dishwashers

0845 600 4906/0345 600 4906

Republic of Ireland

All Refrigeration, Cooking, Washing & Dishwashing Machines

01 862 3411

Before requesting service please check the trouble-shooting guide in the Operating Instructions as a charge may be levied where no faults is found even though your product may still be under guarantee.

Service once the manufacturers guarantee has expired:

If you have purchased an extended guarantee please refer to the instructions contained within the extended guarantee agreement document. Otherwise please call the above numbers where service can be obtained at a charge.

Should you experience any difficulty in obtaining service please call the

Beko Customer Help-Line on 0845 600 4911/0345 600 4911

Beko House, 1 Greenhill Crescent, Watford, Herts. WD18 8QU



3LIK16XX

Free Manuals Download Website

<http://myh66.com>

<http://usermanuals.us>

<http://www.somanuals.com>

<http://www.4manuals.cc>

<http://www.manual-lib.com>

<http://www.404manual.com>

<http://www.luxmanual.com>

<http://aubethermostatmanual.com>

Golf course search by state

<http://golfingnear.com>

Email search by domain

<http://emailbydomain.com>

Auto manuals search

<http://auto.somanuals.com>

TV manuals search

<http://tv.somanuals.com>