

# INSTRUCTION SHEET- F4D121

## LARGE BASE EQUIPMENT RACK 19" X 84", GRAY

### INSTRUCTIONS

1. Lay side rails (1) on the floor.
2. Assemble base angle (2), and top angle (3) as shown in Figure 1.
3. Turn rack over and repeat base and top angles on other side.
4. Square legs. Tighten all bolts.
5. Mount to floor, using suitable fasteners (see note below).
6. Install equipment using provided screws.

#### **NOTE:**

- Due to variances in floors, shims may be needed under base angles.
- To square legs, measure diagonally between top and bottom bolts. The distance between A and B should be the same as C and D (see Figure 2).

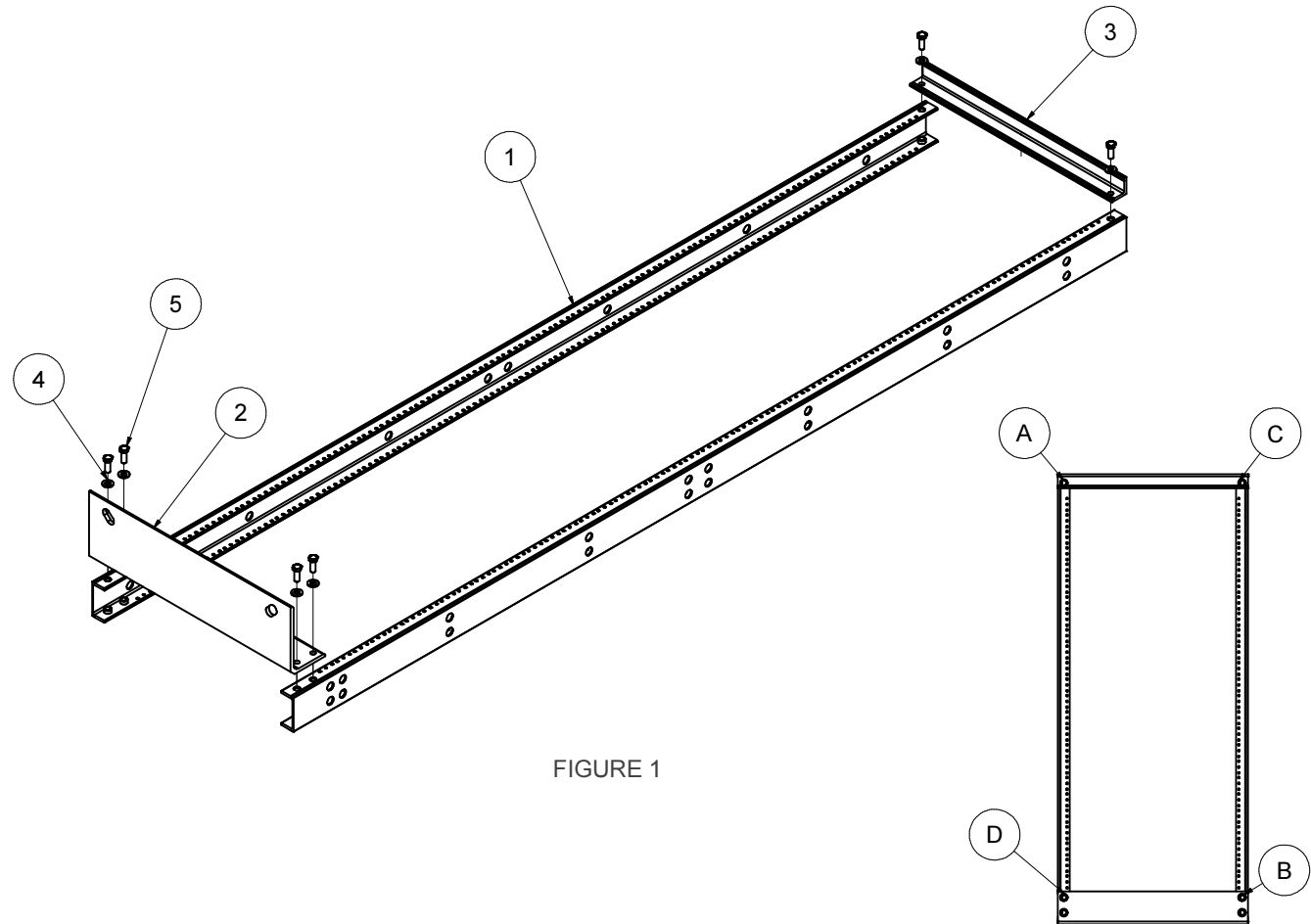


FIGURE 1

FIGURE 2



#### **TOOLS NEEDED:**

- 9/16" wrench or socket
- Measuring tape
- #2 Phillips screwdriver

Parts List		
ITEM	QTY	DESCRIPTION
1	2	Rack Leg
2	2	Rack Base
3	2	Top Angle
4	12	Flat Washer 3/8"
5	12	Hex Cap Screw 3/8-16 x 1
6	30	Pan Head Phillips 12-24 x 0.625

## Free Manuals Download Website

<http://myh66.com>

<http://usermanuals.us>

<http://www.somanuals.com>

<http://www.4manuals.cc>

<http://www.manual-lib.com>

<http://www.404manual.com>

<http://www.luxmanual.com>

<http://aubethermostatmanual.com>

Golf course search by state

<http://golfingnear.com>

Email search by domain

<http://emailbydomain.com>

Auto manuals search

<http://auto.somanuals.com>

TV manuals search

<http://tv.somanuals.com>