



 **BIONAIRE**<sup>®</sup>

oscillating **STAND** fan  
remote control **STAND** fan

MODEL BSF1731  
BSF1731RC  
BSF1731RC-CN

Read instructions before operating. Retain for future reference.

## Instruction Leaflet



**INFO-LINE**

If after having read this leaflet, you have any questions  
or comments on your fan,  
call **1-800-788-5350** in North America.

428-0307

## FAN SAFETY

# PLEASE READ AND SAVE THESE IMPORTANT SAFEGUARDS.

### IMPORTANT INSTRUCTIONS

When using electrical appliances, basic safety precautions should always be followed to reduce the risk of fire, electric shock, and injury to persons, including the following:

- 1) Read all instructions before using the appliance.
- 2) To avoid fire or shock hazard, plug the appliance directly into a 120 V AC electrical outlet.
- 3) Keep the cord out of heavy traffic areas. DO NOT let the cord hang over the edge of a table or counter. To avoid fire hazard, NEVER put the cord under rugs, near heat registers, radiators, stoves, or heaters.
- 4) To protect against electrical hazards, DO NOT immerse in water or other liquids. Do not use near water.
- 5) Close supervision is necessary when any appliance is used by or near children, or by disabled people.
- 6) Always unplug the fan before moving it, putting on or taking off parts, cleaning, or whenever the fan is not in use. Be sure to pull by the plug and not the cord.
- 7) Avoid contact with moving parts. DO NOT operate without fan grills properly in place.
- 8) DO NOT operate any appliance with a damaged cord or plug, if motor fan fails to rotate, after the appliance malfunctions, or if it has been dropped or damaged in any manner. Return appliance to manufacturer for examination, electrical or mechanical adjustment, or repair.
- 9) DO NOT operate in the presence of explosive and/or flammable fumes.
- 10) Use appliance only for intended household use as described in this manual. Any other use not recommended by the manufacturer may cause fire, electric shock, or injury to persons. The use of attachments not recommended or sold by Bonaire may cause hazards.
- 11) DO NOT use outdoors.
- 12) Always use on a dry, level surface.
- 13) Keep unit away from heated surfaces and open flames.
- 14) WARNING: To reduce the risk of fire or electric shock, DO NOT use this fan with any solid-state speed control device.
- 15) DO NOT attempt to repair or adjust any electrical or mechanical functions on this unit. Doing so will void your warranty. The inside of the unit contains no user serviceable parts. All servicing should be performed by qualified personnel only.

# PLEASE READ AND SAVE THESE IMPORTANT SAFEGUARDS.



THIS PRODUCT IS EQUIPPED WITH A POLARIZED AC (Alternating Current) PLUG (a plug having one blade wider than the other). This plug will fit into the power outlet only one way. If the plug does not fit fully into the outlet, reverse the plug. If it still does not fit, contact qualified personnel to install the proper outlet.

DO NOT DEFEAT THE SAFETY PURPOSE OF THIS POLARIZED PLUG IN ANY WAY.

## ASSEMBLY INSTRUCTIONS

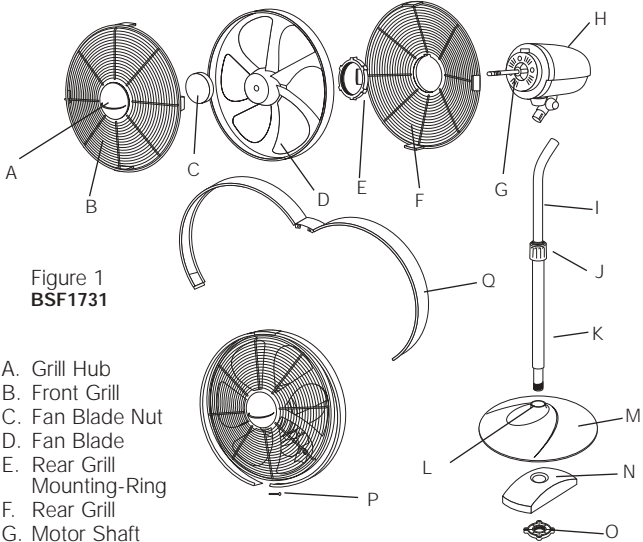


Figure 1  
BSF1731

- A. Grill Hub
  - B. Front Grill
  - C. Fan Blade Nut
  - D. Fan Blade
  - E. Rear Grill Mounting-Ring
  - F. Rear Grill
  - G. Motor Shaft
  - H. Motor Housing
  - I. Upper Pole
  - J. Height Adjustment Knob
  - K. Lower Pole
  - L. Base Insert
  - M. Base
  - N. Weighted Insert
  - O. Weight Nut
  - P. Fixed Screw
  - Q. Grill Ring
- R. Remote Control Housing
  - S. Fan Post Screw
  - T. Remote Control

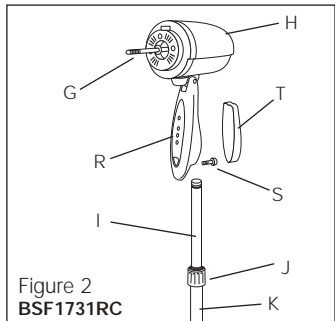


Figure 2  
BSF1731RC

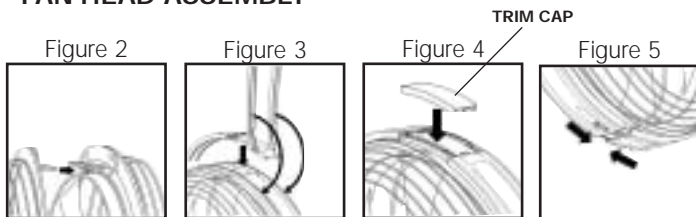
## BASE/POLE ASSEMBLY

Step 1: Insert lower pole into the base until the threaded end of the pole protrudes through the opening in the center of the base. Twist the pole clockwise until locked.

Step 2: Turn the base upside down and place the weighted insert into the base by aligning it between the two parallel ribs. Secure the base, weight, and pole system together by tightening the weight nut to the threaded portion of the pole. Place the base on the floor, right side up.

Step 3: Replace the height adjustment knob over the pole, slide it down the pole, and secure it to the base by turning clockwise.

## FAN HEAD ASSEMBLY



Step 1: Position the rear grill over the motor shaft, making certain the cut outs in the center of the grill fit over the prongs on the motor housing. Please make sure the rear grill fits securely against the motor housing.

Step 2: Secure the rear grill in its place using the rear grill mounting-ring. Turn this ring clockwise and tighten firmly.

Step 3: Slide the fan blade, with the hollowed interior of the blade facing toward the rear grill, firmly onto the motor shaft. Make sure that the pin through the motor shaft aligns with the groove in the back center of the fan blade.

Step 4: Secure the fan blade onto the motor shaft by firmly tightening the fan blade nut.

NOTE: TURN THE FAN BLADE NUT COUNTER-CLOCKWISE

Step 5: Align the tabs on the grills, and press grills firmly against each other. (Figure 2)

Step 6: Place grill ring over attached front and rear grills with connecting link centered over the top of the grill. Make sure to fit the grooves on the underside of the grill ring over the edge of the front and rear grills. (Figure 3)

Step 7: Secure the grill ring to the front and rear grills using the fixed screw. Place the trim cap over the connecting link and snap into place. (Figures 4 & 5)

### FINAL ASSEMBLY FOR REMOTE VERSION

Step 1: Slide the remote control housing over the upper pole and secure the housing with the fan post screw.

### FINAL ASSEMBLY FOR NON-REMOTE VERSION

Step 1: Slide the threaded end of the fan head pole, into the top of the pole. Holding the neck of the fan, turn it counterclockwise until it locks into position.

NOTE: Make sure the top of the upper pole is facing away from you when placing the fan head into the pole.

## **OPERATING INSTRUCTIONS FOR REMOTE VERSION**

Step 1: Insert 2 AAA batteries into the back of the remote control.

Remote Control: Your remote control requires 2 AAA batteries for operation. To install the batteries, simply depress the back of the remote with your thumb on the spot marked OPEN. Insert batteries according to the diagram shown inside. Replace cover.

Step 2: Set the fan base on a dry level surface.

Step 3: Plug cord into any standard 120V AC outlet.

Step 4: To turn the fan on press the POWER button on the remote control or on the touch-key pad.

Step 5: The speed is adjustable by pushing either the speed button on the remote control, or on the SPEED button on the touch-key pad. Push this button first for LOW, again for MEDIUM, and a third time for HIGH. Push a fourth time to repeat the sequence. To turn the fan OFF, push the OFF button on the remote control, or on the touch-key pad.

Step 6: To oscillate the fan head, push the button marked OSCILLATE on the remote, or OSCILLATE on the touch-key pad. Push a second time to stop oscillation.

Step 7: This fan is equipped with a 4-setting timer. (1hr, 2hr, 4 hr, 8hr). To activate the timer, push the TIMER button on the remote control, or the TIMER button on the touch-key pad. Continue to push the TIMER button to cycle through your setting options. Push the button twice to repeat the sequence.

Step 8: For a natural breeze movement, push the button marked MODE on the remote control or the touch-key pad. This BREEZE mode will imitate wind gust by varying the fan speeds between fast and slow. By pressing the MODE button a second time, you activate the SLEEP setting. This function slows the fan speed down, and when used in conjunction with the timer settings, will ultimately turn the fan off. Press the Mode button a 3rd time for BREEZE and SLEEP combined.

NOTE: Timer can be used in conjunction with several other functions. For example: Sleep + 4hr. TIMER causes the fan to gradually slow down over 4 hours and eventually turn off.

## **OPERATING INSTRUCTIONS FOR NON-REMOTE VERSION**

Step 1: Set the fan base on a dry, level surface.

Step 2: Please make sure the Speed Control Knob is in the "Off" position. Plug the cord into any standard 120 V A/C outlet.

Step 3: The SPEED is adjusted by moving the knob left or right to the desired setting.

Step 4: The OSCILLATION Knob is located on the top of the fan motor housing. To start oscillation, push knob down. To stop oscillation, pull knob up.

## **ADJUSTMENT INSTRUCTIONS**

### **TILT ADJUSTMENT**

Follow these instructions to tilt the fan head for upward angle air movement.

Step 1: To change the tilting angle of the fan head, move the fan head to the desired position. **This will work only on RC model** On the non-remote, the customer needs to loosen the tilt adjustment knob first.

## HEIGHT ADJUSTMENT

Step 1: Twist the height adjustment knob counterclockwise and slide the fan up or down to the desired position and then tighten the knob.

**WARNING: MAKE SURE TO SUPPORT THE FAN HEAD ASSEMBLY WHEN ADJUSTING THE HEIGHT, AS THE WEIGHT OF THE FAN HEAD MAY CAUSE THE UPPER POLE TO COLLAPSE.**

## CLEANING/MAINTENANCE INSTRUCTIONS

Follow these instructions to correctly and safely care for your Bonaire® stand fan. Please remember:

- Always unplug the fan before cleaning or disassembling.
- Do not allow water to drip on or into the fan motor housing.
- Do not use any of the following as a cleaner: gasoline, thinner, benzine.

(See instructions for fan head assembly)

Step 1: To access the fan blade, remove the front grill and the fan blade nut.

Step 2: Clean the fan blade, both front and rear grills with a soft cloth moistened with a mild soap solution.

Step 3: Replace blade, tighten the fan blade nut, and securely fasten the front grill.

## FAN HEAD, BASE, AND POLE CLEANING

Using a soft, moist cloth, with or without a mild soap solution, carefully clean the fan base, pole, and head. Please use caution around the motor housing area. Do not allow the motor or other electrical components to be exposed to water.

## FAN STORAGE INSTRUCTIONS

Your fan can be stored in the off-season either partially disassembled or assembled. It is important to keep it in a safe, dry location.

- If stored disassembled, we recommend using the original (or appropriately sized) box.
- If stored assembled or partially assembled, remember to protect the fan head from dust.

## FAN SERVICE INSTRUCTIONS

1. Do NOT attempt to repair or adjust any electrical or mechanical functions on this unit. Doing so will void the warranty.
2. If you have any questions regarding this unit's operation or believe any repair is necessary, please call 1-800-788-5350 to speak with a consumer service representative.
3. If you need to exchange the unit, please return it in its original carton, with a sales receipt, to the store where you purchased it. If you are returning the unit more than 30 days after the date of purchase, please see the enclosed warranty.

## **WARRANTY**

Bionaire® warrants to the first retail purchaser, for FIVE (5) YEARS from the date of original purchase, either to repair or replace at its option, without charge (parts and labor), any supplied or manufactured part of this heater which, upon inspection by an authorized service center, proves to have failed in normal use due to defects in material or workmanship, or, at its option, to replace the unit.

Operation under conditions other than those recommended or at voltages other than the voltage indicated on the unit, or any attempts by unauthorized personnel to service the unit or modify it, will render the guarantee void.

Bionaire® shall not be liable for any personal injury, property damage or any incidental or consequential damages of any kind (including water damage), resulting from defects, malfunctions, misuse, improper installation or alteration of the product.


### **BIONAIRE® EXPRESSLY DISCLAIMS ALL RESPONSIBILITY FOR CONSEQUENTIAL DAMAGES OR INCIDENTAL LOSSES CAUSED BY USE OF THIS PRODUCT.**


The provisions of this warranty are in addition to, and not a modification of, or subtraction from the statutory warranties and other rights and remedies contained in any applicable legislation and to the extent that any such provision purports to disclaim, exclude or limit any such statutory warranties or other rights or remedies, such provisions shall be deemed to be amended to the extent necessary to comply therewith.

**For Warranty Service, please call 1-800-788-5350 in North America.**

A Bionaire® consumer service representative will help determine which is the best procedure in order for your fan to be repaired.

### **KEEP THIS NUMBER FOR FUTURE REFERENCE.**

 BIONAIRE®  
P.O. BOX 400  
MILFORD, MA 01757  
USA

 BIONAIRE®  
6385 Shawson Drive  
Mississauga, Ontario  
Canada, L5T 1S7

**Visit our website at [www.bionaire.com](http://www.bionaire.com)**



 **BIONAIRE®**



## Free Manuals Download Website

<http://myh66.com>

<http://usermanuals.us>

<http://www.somanuals.com>

<http://www.4manuals.cc>

<http://www.manual-lib.com>

<http://www.404manual.com>

<http://www.luxmanual.com>

<http://aubethermostatmanual.com>

Golf course search by state

<http://golfingnear.com>

Email search by domain

<http://emailbydomain.com>

Auto manuals search

<http://auto.somanuals.com>

TV manuals search

<http://tv.somanuals.com>