

CHICAGO

Electric Power Tools

3-1/2 Gallon Parts Washer

Model 38347

Assembly and Operating Instructions



3491 Mission Oaks Blvd., Camarillo, CA 93011

Copyright © 1998 by Harbor Freight Tools. All rights reserved.
No portion of this manual or any artwork contained herein may
be reproduced in any shape or form without the express written
consent of Harbor Freight Tools.

For technical questions and replacement parts, please call 1-800-444-3353

Specifications

Pump: 1/2 GPM Output
Overall Dimensions: 18" x 13-1/2" x 9"
Flexible Spot: 13-3/4"
Motor: 110 Volt, Single Phase
Shipping Weight: 18 lbs.

Save This Manual

You will need the manual for the safety warnings and precautions, assembly instructions, operating and maintenance procedures, parts list and diagram. Keep your invoice with this manual. Write the invoice number on the inside of the front cover. Keep the manual and invoice in a safe and dry place for future reference.

WARNING: When using tool, basic safety precautions should always be followed to reduce the risk of personal injury and damage to equipment.

Read all instructions before using this product.

1. **Keep work area clean.** Cluttered areas invite injuries.
2. **Observe work area conditions.** Do not use machines or power tools in damp or wet locations. Don't expose to rain. Keep work area well lighted. Do not use electrically powered tools in the presence of flammable gases or liquids.
3. **Keep children away.** Children must never be allowed in the work area. Do not let them handle machines, tools, or extension cords.
4. **Store idle equipment.** When not in use, tools must be stored in a dry location to inhibit rust. Always lock up tools and keep out of reach of children.
5. **Do not force tool.** It will do the job better and more safely at the rate for which it was intended. Do not use inappropriate attachments in an attempt to exceed the tool capacity.
6. **Use the right tool for the job.** Do not attempt to force a small tool or attachment to do the work of a larger industrial tool. Do not use a tool for a purpose for which it was not intended.
7. **Dress properly.** Do not wear loose clothing or jewelry as they can be caught in moving parts. Protective, electrically non-conductive clothes and non-skid footwear are recommended when working. Wear restrictive hair covering to contain long hair.
8. **Use eye and ear protection.** Always wear ANSI approved impact safety goggles. Wear a full face shield if you are producing metal filings or wood chips. Wear an ANSI approved dust mask or respirator when working around metal, wood, and chemical dusts and mists.

9. **Do not overreach.** Keep proper footing and balance at all times. Do not reach over or across running machines.
10. **Maintain tools with care.** Keep tools sharp and clean for better and safer performance. Follow instructions for lubricating and changing accessories. Inspect tool cords periodically and, if damaged, have them repaired by an authorized technician. The handles must be kept clean, dry, and free from oil and grease at all times.
11. **Do not abuse the power cord.** Do not yank compressor's cord to disconnect it from the receptacle. Do not carry tools by the cord.
12. **Remove adjusting keys and wrenches.** Check that keys and adjusting wrenches are removed from the tool or machine work surface before plugging it in.
13. **Avoid unintentional starting.** Be sure the switch is in the Off position when not in use and before plugging in. Do not carry any tool with your finger on the trigger, whether it is plugged in or not.
14. **Stay alert.** Watch what you are doing, use common sense. Do not operate any tool when you are tired.
15. **Check for damaged parts.** Before using any tool, any part that appears damaged should be carefully checked to determine that it will operate properly and perform its intended function. Check for alignment and binding of moving parts; any broken parts or mounting fixtures; and any other condition that may affect proper operation. Any part that is damaged should be properly repaired or replaced by a qualified technician. Do not use the tool if any switch does not turn On and Off properly.
16. **Guard against electric shock.** Prevent body contact with grounded surfaces such as pipes, radiators, ranges, and refrigerator enclosures.
17. **Replacement parts and accessories.** When servicing, use only identical replacement parts. Use of any other parts will void the warranty. Only use accessories intended for use with this tool. Approved accessories are available from Harbor Freight Tools.
18. **Do not operate tool if under the influence of alcohol or drugs.** Read warning labels on prescriptions to determine if your judgment or reflexes are impaired while taking drugs. If there is any doubt, do not operate the tool.
19. **Drain compressor every day.** Do not allow moisture to build up inside the compressor. Do not allow compressor to sit pressurized for longer than one hour.
20. **Make sure all equipment is rated to the appropriate capacity.** Make sure that regulator is set at least 10 PSI lower than the lowest rated piece of equipment you are using.

Unpacking

When unpacking, check to make sure that all parts are included (see the Parts List and Parts Diagram on pages 6 and 7). If any parts are missing or broken, please call Harbor Freight Tools at the number on the cover of this manual as soon as possible.

Grounding and Voltage Warning

Common household current is 110-120 volts. As long as your tool is rated from 110-120V, there will not be any complications using this tool with household receptacles. Never try to plug a 110-120V tool into a 220-240V circuit (or visa-versa) or serious complications and possible injury to the operator may occur. The plugs have different shapes to prevent this.

DO NOT MODIFY YOUR ELECTRICAL PLUG IN ANY WAY. IF YOU HAVE ANY DOUBT, CALL A QUALIFIED ELECTRICIAN.

Extension Cords

If you are using this product outdoors, use an extension cord rated for outdoor use (signified by "WA" on the jacket).

The extension cord must have a minimum wire size depending on the amperage of the tool and the length of the extension cord. The proper extension cord is determined by its AWG (American Wire Gauge) rating. The smaller the gauge, the greater the cable's capacity. The amount of cords used does not matter; total length determines the minimum AWG rating. Every cord must meet the AWG rating. Use the chart below to determine what AWG rating is required for your situation. Cord length is rated in feet.

Harbor Freight Tools can supply UL listed and outdoor rated extension cords in multiple AWG ratings.

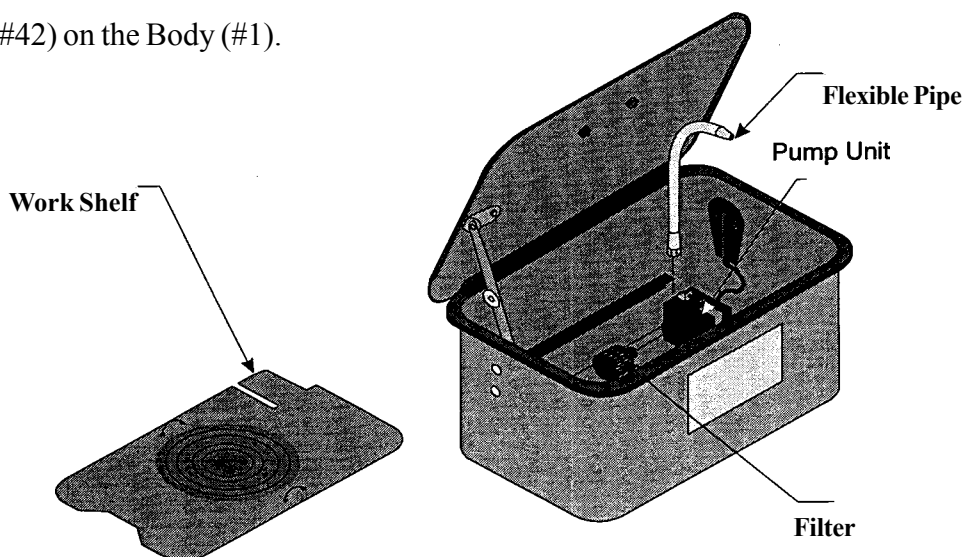
Cord Length	AWG Rating Chart							
	25'	50'	75'	100'	125'	150'	175'	200'
AMPS	AWG	AWG	AWG	AWG	AWG	AWG	AWG	AWG
0 - 10.0	18	18	16	16	14	14	12	12
10.1 - 13.0	16	16	14	14	14	12	12	12
13.1 - 15.0	14	14	12	12	12	12	12	—
15.1 - 18.0	14	12	12	12	12	12	—	—

Grounding Instructions

This product has a three prong plug. The third prong (round) is the ground. Plug the product's cord only into three-prong receptacles. Never cut off the round prong. Cutting off the ground will result in a safety hazard and void the warranty.

Assembly

1. The Handle for the Lid (#4) needs to be assembled. Remove nuts and washers from Handle. Place Handle in place on front portion of Lid and tighten screws with washers and nuts.
2. Attach the black plastic Filter to the Pump (#28). It fits over the wide opening on the side of the Pump.
3. Attach the Flexible Pipe (#27) to the Pump. It screws on the small open fitting on the top of the Pump.
4. Set the Work Shelf (#42) on the Body (#1).



Operation

KNOW YOUR SOLVENTS. Do not use any highly volatile, flammable or combustible solvents. **Caution:** Parts being cleaned may leave flammable or combustible residue, or may contain flammable or combustible fluids that remain in the parts washer. Check for solvent fumes to verify non-flammability and non-toxicity. Use in a well ventilated area. **NO SMOKING!**

Only use non-corrosive water based solvents. Never use highly volatile flammable solvents such as gasoline, toluene, or diesel fuel. Non water based solvents may also contain fumes that are hazardous to your health, and must not be used at any time. Keep away from any ignition sources. Immerse the pump in liquid while operating. Fluid should be replaced and parts washer cleaned on a regular basis to avoid hazardous conditions. Avoid solvent contact with skin and eyes. Chlorinated solvents, such as 1-1-1 Trichloroethane and Methylene Chloride (also known as Methyl Chloride) can chemically react with aluminum and may explode. Many tools and equipment contain aluminum. If you are in any doubt whatsoever, contact the solvent manufacturer.

Note: The fusible link must be intact at all times.

1. Parts can soak in the Body, but should not be left overnight. Use the Work Shelf when using the Flexible Pipe and while cleaning small parts.

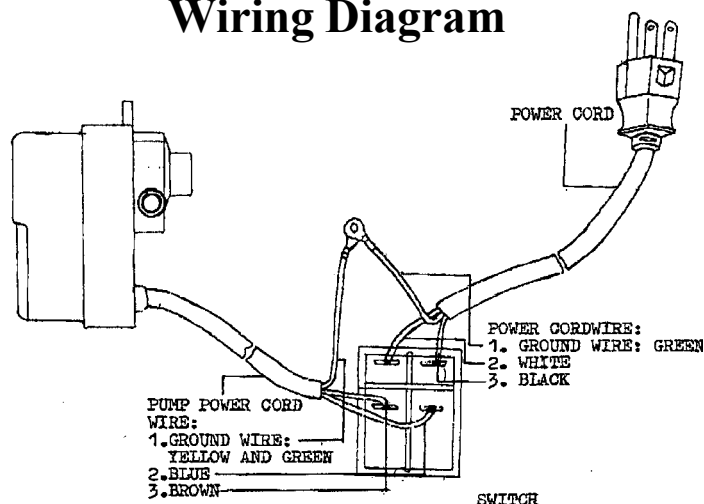
Operation (continued)

2. Do not run the Pump when small parts are in the bottom of the tank.
3. Never run the Pump without the Filter being in place.
4. Never leave the Pump running unattended.
5. Fill the Body with the water/household detergent solution. Before attempting to wash any parts, test the Parts Washer by plugging in the electrical plug and turning "ON" the Switch Box. Make sure the Pump is operating properly and the water/household detergent solution is circulating properly. To stop the Pump from operating, turn "OFF" the switch.
6. The water/household detergent solution should be replaced frequently. Always dispose of waste water properly. Contact your local disposal management agency for disposal instructions.

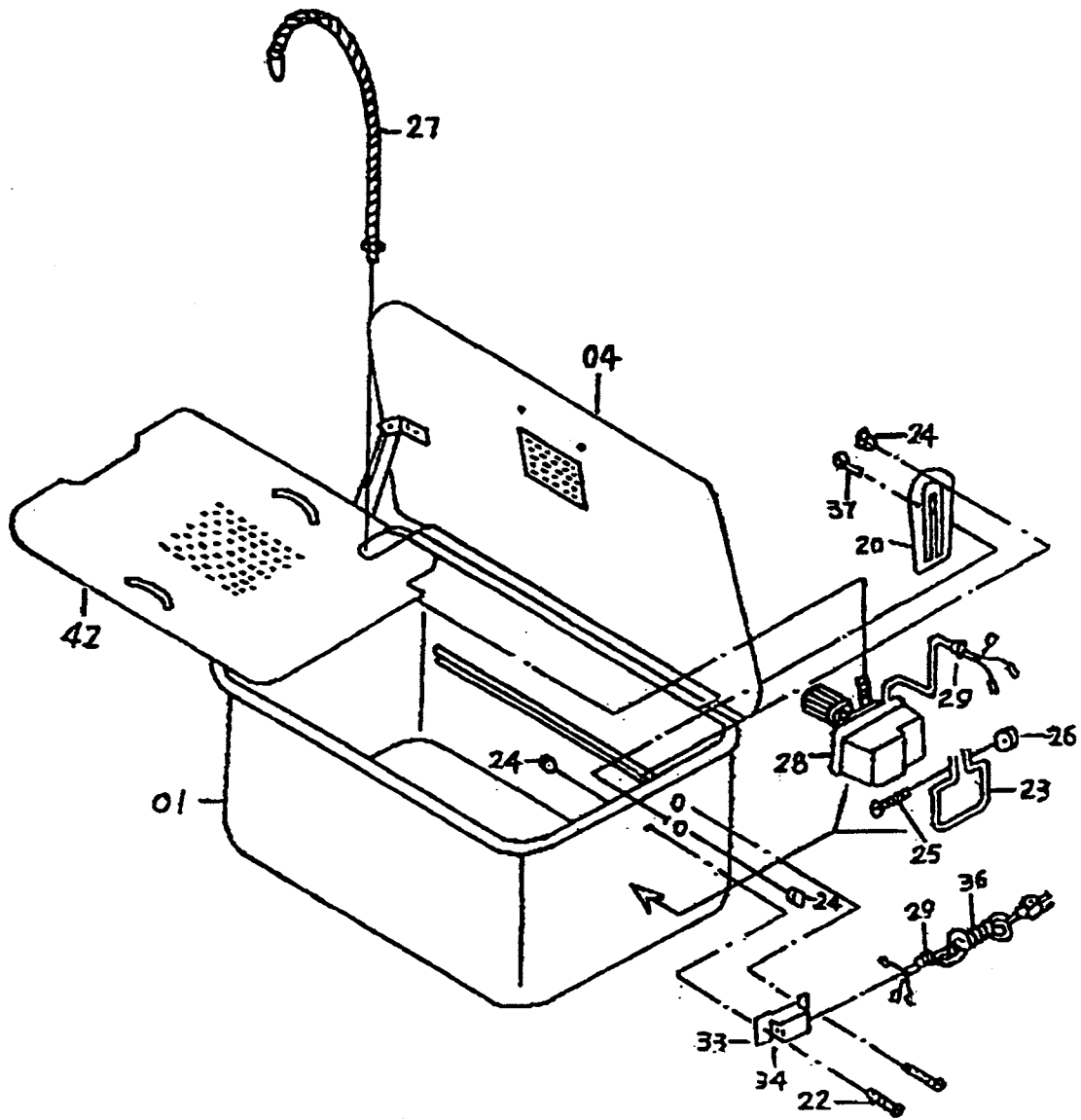
Part Number Listing

Part #	Description	Qty	Part #	Description	Qty
1	Body	1	27	Flexible Pipe	1
4	Cover	1	28	Pump	1
20	Cord Shell	1	29	Feed Thru	2
22	Pan Screw	2	33	Switch Box	1
23	Clamp	1	34	Switch	1
24	Nut	3	36	Power Cord	1
25	Pan Screw	1	37	Pan Screw	1
26	Nut	1	42	Work Shelf	1

Wiring Diagram



Parts Diagram



Free Manuals Download Website

<http://myh66.com>

<http://usermanuals.us>

<http://www.somanuals.com>

<http://www.4manuals.cc>

<http://www.manual-lib.com>

<http://www.404manual.com>

<http://www.luxmanual.com>

<http://aubethermostatmanual.com>

Golf course search by state

<http://golfingnear.com>

Email search by domain

<http://emailbydomain.com>

Auto manuals search

<http://auto.somanuals.com>

TV manuals search

<http://tv.somanuals.com>