



Chicago
Pneumatic™

OPERATOR'S MANUAL
MANUEL de L'UTILISATEUR
MANUAL del OPERADOR



Catalog No.
No de Cat.
Cat. No.
CP 8730
CP 8740

SPECIAL NOTE: New battery packs are not fully charged. Charge your battery pack before using it for the first time and follow the charging instructions in your charger manual.

NOTE SPÉCIALE: Les batteries neuves ne sont pas entièrement chargées. Chargez la batterie avant de vous en servir la première fois en suivant les instructions de recharge dans le manuel qui accompagne cet outil.

NOTA ESPECIAL: Las baterías, cuando son nuevas, no están totalmente cargadas. Cargue su batería antes de usarla por primera vez siga las instrucciones de carga que vienen en el manual de la herramienta.

14.4 V IMPACT WRENCHES CLÉS À CHOCS DE 14,4 V LLAVES DE IMPACTO DE 14,4 V

TO REDUCE THE RISK OF INJURY, USER MUST READ AND UNDERSTAND OPERATOR'S MANUAL.

AFIN DE RÉDUIRE LE RISQUE DE BLESSURES, L'UTILISATEUR DOIT LIRE ET BIEN COMPRENDRE LE MANUEL DE L'UTILISATEUR.

PARA REDUCIR EL RIESGO DE LESIONES, EL USUARIO DEBE LEER Y ENTENDER EL MANUAL DEL OPERADOR.

GENERAL SAFETY RULES-FOR ALL BATTERY OPERATED TOOLS



WARNING!

READ AND UNDERSTAND ALL INSTRUCTIONS.

Failure to follow all instructions listed below, may result in electric shock, fire and/or serious personal injury.

SAVE THESE INSTRUCTIONS

WORK AREA

1. **Keep your work area clean and well lit.** Cluttered benches and dark areas invite accidents.
2. **Do not operate power tools in explosive atmospheres, such as in the presence of flammable liquids, gases, or dust.** Power tools create sparks which may ignite the dust or fumes.
3. **Keep bystanders, children, and visitors away while operating a power tool.** Distractions can cause you to lose control. Protect others in the work area from debris such as chips and sparks. Provide barriers or shields as needed.

ELECTRICAL SAFETY

4. **Do not abuse the cord. Never use the cord to carry the tool. Keep cord away from heat, oil, sharp edges, or moving parts. Replace damaged cords immediately.** Damaged cords may create a fire.
5. **A battery operated tool with integral batteries or a separate battery pack must be recharged only with the specified charger for the battery.** A charger that may be suitable for one type of battery may create a risk of fire when used with another battery.
6. **Use battery operated tool only with specifically designated battery pack.** Use of any other batteries may create a risk of fire.

PERSONAL SAFETY

7. **Stay alert, watch what you are doing, and use common sense when operating a power tool. Do not use tool while tired or under the influence of drugs, alcohol, or medication.** A moment of inattention while operating power tools may result in serious personal injury.
8. **Dress properly. Do not wear loose clothing or jewelry. Contain long hair. Keep your hair, clothing, and gloves away from moving parts.** Loose clothes, jewelry, or long hair can be caught in moving parts.
9. **Avoid accidental starting. Be sure switch is in the locked or off position before inserting battery pack.** Carrying tools with your finger on the switch or inserting the battery pack into a tool with the switch on invites accidents.
10. **Remove adjusting keys or wrenches before turning the tool on.** A wrench or a key that is left attached to a rotating part of the tool may result in personal injury.
11. **Do not overreach. Keep proper footing and balance at all times.** Proper footing and balance enable better control of the tool in unexpected situations.
12. **Use safety equipment. Always wear eye protection.** Dust mask, nonskid safety shoes, hard hat, or hearing protection must be used for appropriate conditions.

TOOL USE AND CARE

13. **Use clamps or other practical way to secure and support the workpiece to a stable platform.** Holding the work by hand or against your body is unstable and may lead to loss of control.
14. **Do not force tool. Use the correct tool for your application.** The correct tool will do the job better and safer at the rate for which it is designed.
15. **Do not use tool if switch does not turn it on or off.** A tool that cannot be controlled with the switch is dangerous and must be repaired.
16. **Disconnect battery pack from tool or place the switch in the locked or off position before making any adjustments, changing accessories, or storing the tool.** Such preventive safety measures reduce the risk of starting the tool accidentally.
17. **Store idle tools out of reach of children and other untrained persons.** Tools are dangerous in the hands of untrained users.
18. **When battery pack is not in use, keep it away from other metal objects like: paper clips, coins, keys, nails, screws, or other small metal objects that can make a connection from one terminal to another.** Shorting the battery terminals together may cause sparks, burns, or a fire.

SPECIFIC SAFETY RULES

1. **Maintain labels and nameplates.** These carry important information. If unreadable or missing, contact a *MILWAUKEE* service facility for a free replacement.
2. **WARNING!** Some dust created by power sanding, sawing, grinding, drilling, and other construction activities contains chemicals known to cause cancer, birth defects or other reproductive harm. Some examples of these chemicals are:
 - lead from lead-based paint
 - crystalline silica from bricks and cement and other masonry products, and
 - arsenic and chromium from chemically-treated lumber.

Your risk from these exposures varies, depending on how often you do this type of work. To reduce your exposure to these chemicals: work in a well ventilated area, and work with approved safety equipment, such as those dust masks that are specially designed to filter out microscopic particles.

19. **Maintain tools with care. Keep cutting tools sharp and clean.** Properly maintained tools with sharp cutting edge are less likely to bind and are easier to control.
20. **Check for misalignment or binding of moving parts, breakage of parts, and any other condition that may affect the tool's operation. If damaged, have the tool serviced before using.** Many accidents are caused by poorly maintained tools. Do not use a damaged tool. Tag damaged tools "Do not use" until repaired.
21. **Use only accessories that are recommended by the manufacturer for your model.** Accessories that may be suitable for one tool may create a risk of injury when used on another tool.

SERVICE

22. **Tool service must be performed only by qualified repair personnel.** Service or maintenance performed by unqualified personnel may result in a risk of injury.
23. **When servicing a tool, use only identical replacement parts. Follow instructions in the Maintenance section of this manual.** Use of unauthorized parts or failure to follow Maintenance Instructions may create a risk of shock or injury.

Symbology

	Volts Direct Current
$n_{xxxx}/min.$	Impacts per Minute Under Load (IPM)
	Properly Recycle Nickel Cadmium Batteries
	Underwriters Laboratories, Inc.
$n_{o}xxxx/min.$	No Load Revolutions per Minute (RPM)

Specifications

Cat. No.	Type	Volts DC	RPM	Drive Shank	IPM	Average Torque Output
CP 8730	Impact Wrench	14.4	0 - 2600	3/8" Square	0 - 3500	1056 in-lbs.
CP 8740	Impact Wrench	14.4	0 - 2600	1/2" Square	0 - 3500	1404 in-lbs.

FUNCTIONAL DESCRIPTION

Cat. No. CP 8730



1. 3/8" square drive shank
2. Forward/reverse switch
3. Trigger
4. Battery pack
5. Battery pack release button
6. 1/2" square drive shank



Cat. No. CP8740

CHARGING & USING BATTERY PACKS



WARNING!

Charge only *Chicago Pneumatic* 9.6V, 12V, 14.4V, 18V battery packs in chargers. Other types of batteries may explode causing personal injury and damage.

Charge your battery pack before using your tool for the first time and when your tool no longer performs with the power and torque needed for the job. Full loading capacity of battery pack is only reached after 4 - 5 chargings. Never completely discharge the battery pack. Standard charging time will vary according to the type of charger you use. The charging time will also vary depending on the supply voltage and charge needed. For example, if your battery pack does not require a full charge, charging time will be less.

FOR SPECIFIC CHARGING INSTRUCTIONS, PLEASE READ THE CHARGER INSTRUCTION SHEET SUPPLIED WITH YOUR CHARGER.

Battery packs are affected by temperature. Your battery pack will perform best and have longest life if it is charged when the temperature is between 60°-80°F (15°-27°C). Do not charge in temperatures below 40°F (5°C) or above 105°F (40°C). Under these conditions, capacity will be reduced. See "Maintenance".

Removing Battery Pack from Tool

Push in the release buttons and remove the battery pack.

Inserting Battery Pack into Tool

Battery pack can be inserted into the tool in two ways.

1. For working in restricted spaces.

Insert the battery pack from the front by pressing in the release buttons and sliding battery pack into the body of the tool (Fig. 1). Insert the battery pack until clamp engages.

Fig. 1



2. For optimum weight distribution and balance.

Insert the battery pack from the back by pressing in the release buttons and sliding the battery pack into the body of the tool (Fig. 2). Insert the battery pack until clamp engages.

Fig. 2



TOOL ASSEMBLY

WARNING!

Always lock trigger or remove battery pack before changing or removing accessories. Only use accessories specifically recommended for this tool. Others may be hazardous.

WARNING!

Use only sockets and other accessories specifically designed for use on impact wrenches and drivers. Other sockets and accessories might shatter or break causing injury.

Attaching and Removing Accessories

These impact wrenches are intended only for use with sockets designed for impact wrenches that have a 3/8" or 1/2" square drive. Other sockets could shatter or break, causing injury.

1. To attach a socket or other accessory, align the accessory with the drive shank and push it firmly over the retaining ring.
2. To remove the accessory, pull the accessory off the drive shank.

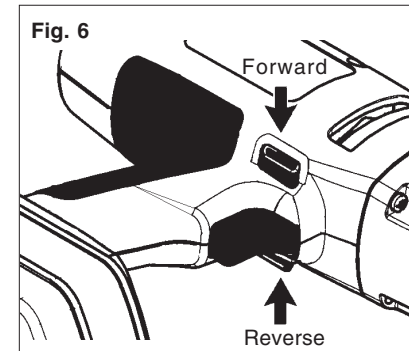
OPERATION

WARNING!

To reduce the risk of injury, wear safety goggles or glasses with side shields.

Using the Forward/Reverse Switch (Fig. 6)

The forward/reverse switch may be set to three positions: forward, reverse and lock. Due to a lockout mechanism, the forward/reverse switch can only be adjusted when the trigger is not pressed. Always allow the motor to come to a complete stop before using the forward/reverse switch.



1. For **forward** (clockwise) rotation, push the forward/reverse switch in the direction shown. Check the direction of rotation before use.
2. For **reverse** (counterclockwise) rotation, push the forward/reverse switch in the direction shown. Check the direction of rotation before use.
3. To lock the trigger, push the forward/reverse switch to the center position. The trigger will not work when the forward/reverse switch is in the locked position. Always lock the trigger or remove the battery pack before performing maintenance, changing accessories, storing the tool and any time the tool is not in use.

Starting, Stopping and Controlling Speed

These tools may be operated at any speed from 0 to full speed.

1. To **start** the tool, pull the trigger.
2. To vary the driving speed, simply increase or decrease pressure on the trigger. The further the trigger is pulled, the greater the speed.
3. To **stop** the tool, release the trigger and the electric brake stops the tool instantly.

Impacting Techniques

The longer a bolt, screw, or nut is impacted, the tighter it will become. To help prevent damaging the fasteners or workpieces, avoid excessive impacting. Be particularly careful when impacting smaller fasteners because they require less impacting to reach optimum torque.

Practice with various fasteners, noting the length of time required to reach the desired torque. Check the tightness with a hand-torque wrench. If the fasteners are too tight, reduce the impacting time. If they are not tight enough, increase the impacting time.

Impacting for two seconds is generally sufficient for a 3/8" bolt and one second for a 5/16" bolt. However, oil, dirt, rust or other matter on the threads or under the head of the fastener affects the degree of tightness.

The torque required to loosen a fastener averages 75% to 80% of the tightening torque, depending on the condition of the contacting surfaces.

On light gasket jobs, run each fastener down to a relatively light torque and use a hand torque wrench for final tightening.

MAINTENANCE



WARNING!

To reduce the risk of injury, always unplug the charger and remove the battery pack from the charger or tool before performing any maintenance. Never disassemble the tool, battery pack or charger. Contact a MILWAUKEE service facility for ALL repairs.

Keep your tool, battery pack and charger in good repair by adopting a regular maintenance program. After six months to one year, depending on use, return the tool, battery pack and charger to a MILWAUKEE service facility for:

- Lubrication
- Mechanical inspection and cleaning (gears, spindles, bearings, housing, etc.)
- Electrical inspection (battery pack, charger, motor)
- Testing to assure proper mechanical and electrical operation

Maintaining Tool

If the tool does not start or operate at full power with a fully charged battery pack, clean the contacts on the battery pack. If the tool still does not work properly, return the tool, charger and battery pack, to a MILWAUKEE service facility for repairs.

Maintaining Battery Pack

Chicago Pneumatic battery packs will operate for many years and/or hundreds of cycles when they are maintained and used according to these instructions.

A battery pack that is stored for six months without being used will discharge itself. Batteries discharge at a rate of about 1% per day. Charge the battery every six months even if it is unused to maximize battery life. Do not tape the trigger in the "ON" position and leave the tool unattended as this may discharge the battery to a point where it will no longer be able to recharge.

Use a *Chicago Pneumatic* battery pack only until it no longer performs with the power and torque needed for your application.

Store your battery pack in a cool, dry place. Do not store it where the temperature may exceed 120°F (50°C) such as a vehicle or metal building during the summer. High temperatures will overheat the battery pack, reducing battery life. If it is stored for several months, the battery pack will gradually lose its charge. One to three cycles of charging and discharging through normal use will restore the capacity of the battery pack. During the life of the battery pack the operating time between charges becomes shorter. If the operating time becomes extremely short after a proper charge, the usable life of the battery pack has been reached and it should be replaced.



WARNING!

To reduce the risk of personal injury and damage, never immerse your tool, battery pack or charger in liquid or allow a liquid to flow inside them.

Cleaning

Clean dust and debris from charger and tool vents. Keep tool handles clean, dry and free of oil or grease. Use only mild soap and a damp cloth to clean the tool, battery pack and charger since certain cleaning agents and solvents are harmful to plastics and other insulated parts. Some of these include gasoline, turpentine, lacquer thinner, paint thinner, chlorinated cleaning solvents, ammonia and household detergents containing ammonia. Never use flammable or combustible solvents around tools.



WARNING!

To reduce the risk of explosion, never burn a battery pack even if it is damaged, dead or completely discharged.

RBRC Battery Recycling Seals

The RBRC™ Battery Recycling Seals (see "Symbology") on your tool battery packs indicate that MILWAUKEE has arranged for the recycling of that battery pack with the Rechargeable Battery Recycling Corporation (RBRC). At the end of your battery pack's useful life, return the battery pack to a MILWAUKEE Branch Office/Service Center or the participating retailer nearest you. For more information, visit the RBRC web site at www.rbrc.org.

Disposing of Nickel-Cadmium Battery Packs

Nickel-Cadmium battery packs are recyclable. Under various state and local laws, it be illegal to dispose of this batter into the municipal waste stream. Dispose of your battery pack according to federal, state and local regulations.

Repairs

For repairs, return the tool, battery pack and charger to the nearest service center listed on the back cover of this operator's manual.

Battery Pack Warranty

Battery packs for cordless tools are warranted for one year from the date of purchase.

WARRANTY

Chicago Pneumatic Tool Company Limited Warranty and Service Policy

Products of the Chicago Pneumatic Tool Company ("CP") are warranted to be free from defects in material and workmanship for one year from the date of purchase. This warranty applies only to Products purchased new from CP or its authorized dealers. Of course this warranty does not apply to Products which have been abused, modified, or repaired by someone other than CP or its Authorized Service Representatives.

If a CP Product proves defective in material or workmanship within one year after purchase, return it to any Authorized Service Center* transportation prepaid, enclosing your name and address, adequate proof of date of purchase and a short description of the defect. CP (or its affiliate) will, at its option, repair or replace defective Products free of charge. Repairs or replacements are warranted as described above for the remainder of the original warranty period. CP's sole liability and your exclusive remedy under this Warranty is limited to repair or replacement of the defective Product.

THE FOREGOING WARRANTY IS EXCLUSIVE AND IN LIEU OF ALL OTHER WARRANTIES, OR CONDITIONS, WRITTEN OR ORAL, EXPRESSED OR IMPLIED, INCLUDING, WITHOUT LIMITATION, ALL WARRANTIES OR CONDITIONS, OR MERCHANTABILITY OR FITNESS FOR A PARTICULAR PURPOSE, ALLOF WHICH ARE HEREBY DISCLAIMED. THERE SHALL BE NO LIABILITY FOR INCIDENTAL, CONSEQUENTIAL OR SPECIAL DAMAGES, OR ANY OTHER DAMAGES, COSTS OR EXPENSES, EXCEPTING ONLY THE COST OR EXPENSE OF REPLACEMENT OR REPAIR.

Use only authorized parts. Any damage or malfunction caused by the use of unauthorized parts is not covered by Warranty. This warranty gives specific legal rights. Consumers may have other rights under state or federal law.

Chicago Pneumatic Tool Company
1800 Overview Drive
Rock Hill, South Carolina 29730-7463

* CP Products described in this manual may be sent to any MILWAUKEE ELECTRIC TOOL CORPORATION Branch Office/Service Center or Authorized MILWAUKEE Service Station for repair. See back page for information on how to locate a facility nearest you.

ACCESSORIES



WARNING!

Always remove battery pack before changing or removing accessories. Only use accessories specifically recommended for this tool. Others may be hazardous.

14.4 Volt Battery Packs

Fits *Chicago Pneumatic* Charger

Cat. No. 8940158629

2.4 Amp-Hours

Cat. No. 8940158630



Cat. No. 8940158630

Charger 120 Volt

For charging 9.6-18 Volt Battery Packs.

1-Hour Universal Charger

Cat. No. 8940158629



Cat. No. 8940158629

RÈGLES DE SÉCURITÉ GÉNÉRALES POUR TOUS LES OUTILS À BATTERIE



AVERTISSEMENT!

VOUS DEVEZ LIRE ET COMPRENDRE TOUTES LES INSTRUCTIONS

Le non-respect, même partiel, des instructions ci-après entraîne un risque de choc électrique, d'incendie et/ou de blessures graves.

CONSERVEZ CES INSTRUCTIONS

AIRE DE TRAVAIL

1. **Veillez à ce que l'aire de travail soit propre et bien éclairée.** Le désordre et le manque de lumière favorisent les accidents.
2. **N'utilisez pas d'outils électriques dans une atmosphère explosive, par exemple en présence de liquides, de gaz ou de poussières inflammables.** Les outils électriques créent des étincelles qui pourraient enflammer les poussières ou les vapeurs.
3. **Tenez à distance les curieux, les enfants et les visiteurs pendant que vous travaillez avec un outil électrique.** Ils pourraient vous distraire et vous faire faire une fausse manœuvre. Installez des barrières ou des écrans protecteurs si nécessaires.

prévu pour la batterie. Un chargeur qui convient à tel type de batterie peut présenter un risque d'incendie avec tel autre type de batterie.

6. **N'utilisez un outil qu'avec un bloc-batterie conçu spécifiquement pour lui.** L'emploi d'un autre bloc-batterie peut créer un risque d'incendie.

SÉCURITÉ DES PERSONNES

7. **Restez alerte, concentrez-vous sur votre travail et faites preuve de jugement. N'utilisez pas un outil électrique si vous êtes fatigué ou sous l'influence de drogues, d'alcool ou de médicaments.** Un instant d'inattention suffit pour entraîner des blessures graves.
8. **Habillez-vous convenablement. Ne portez ni vêtements flottants ni bijoux. Confinez les cheveux longs. N'approchez jamais les cheveux, les vêtements ou les gants des pièces en mouvement.** Des vêtements flottants, des bijoux ou des cheveux longs risquent d'être happés par des pièces en mouvement.
9. **Méfiez-vous d'un démarrage accidentel. Avant d'insérer un bloc-batterie, assurez-vous que l'interrupteur de l'outil est sur ARRÊT.** Le fait de transporter un outil avec le doigt sur la détente ou d'insérer un bloc-batterie alors que l'interrupteur est en position MARCHE peut mener tout droit à un accident.

SÉCURITÉ ÉLECTRIQUE

4. **Ne maltraitez pas le cordon. Ne transportez pas l'outil par son cordon. N'exposez pas le cordon à la chaleur, à des huiles, à des arêtes vives ou à des pièces en mouvement. Remplacez immédiatement un cordon endommagé.** Un cordon endommagé peut constituer un risque d'incendie.
5. **Un outil à bloc-batterie amovible ou à batterie intégrée ne doit être rechargé qu'avec le chargeur**

10. **Enlevez les clés de réglage ou de serrage avant de démarrer l'outil.** Une clé laissée dans une pièce tournante de l'outil peut provoquer des blessures.
11. **Ne vous penchez pas trop en avant. Maintenez un bon appui et restez en équilibre en tout temps.** Une bonne stabilité vous permet de mieux réagir à une situation inattendue.
12. **Utilisez des accessoires de sécurité. Portez toujours des lunettes ou une visière.** Selon les conditions, portez aussi un masque antipoussière, des bottes de sécurité antidérapantes, un casque protecteur et/ou un appareil antibruit.

UTILISATION ET ENTRETIEN DES OUTILS

13. **Immobilisez le matériau sur une surface stable au moyen de brides ou de toute autre façon adéquate.** Le fait de tenir la pièce avec la main ou contre votre corps offre une stabilité insuffisante et peut amener un dérapage de l'outil.
14. **Ne forcez pas l'outil. Utilisez l'outil approprié à la tâche.** L'outil correct fonctionne mieux et de façon plus sécuritaire. Respectez aussi la vitesse de travail qui lui est propre.
15. **N'utilisez pas un outil si son interrupteur est bloqué.** Un outil que vous ne pouvez pas commander par son interrupteur est dangereux et doit être réparé.
16. **Retirez le bloc-batterie ou mettez l'interrupteur sur ARRÊT ou en position verrouillée avant d'effectuer un réglage, de changer d'accessoire ou de ranger l'outil.** De telles mesures préventives réduisent le risque de démarrage accidentel de l'outil.
17. **Rangez les outils hors de la portée des enfants et d'autres personnes inexpérimentées.** Les outils sont dangereux dans les mains d'utilisateurs novices.

18. **Lorsque le bloc-batterie n'est pas en service, tenez-le à l'écart d'autres objets métalliques (trombones, pièces de monnaie, clés, clous, vis, etc.) susceptibles d'établir un contact électrique entre les deux bornes.** La mise en court-circuit des bornes de la batterie peut produire des étincelles et constitue un risque de brûlures ou d'incendie.
19. **Prenez soin de bien entretenir les outils. Les outils de coupe doivent être toujours bien affûtés et propres.** Des outils bien entretenus, dont les arêtes sont bien tranchantes, sont moins susceptibles de coincer et plus faciles à diriger.
20. **Soyez attentif à tout désalignement ou coincement des pièces en mouvement, à tout bris ou à toute autre condition préjudiciable au bon fonctionnement de l'outil. Si vous constatez qu'un outil est endommagé, faites-le réparer avant de vous en servir.** De nombreux accidents sont causés par des outils en mauvais état. Fixez-y une étiquette marquée « Hors d'usage » jusqu'à ce qu'il soit réparé.

RÉPARATION

21. **N'utilisez que des accessoires que le fabricant recommande pour votre modèle d'outil.** Certains accessoires peuvent convenir à un outil, mais être dangereux avec un autre.
22. **La réparation des outils électriques doit être confiée à un réparateur qualifié.** L'entretien ou la réparation d'un outil électrique par un amateur peut avoir des conséquences graves.
23. **Pour la réparation d'un outil, n'employez que des pièces de rechange d'origine. Suivez les directives données à la section « Réparation » de ce manuel.** L'emploi de pièces non autorisées ou le non-respect des instructions d'entretien peut créer un risque de choc électrique ou de blessures.

RÈGLES DE SÉCURITÉ PARTICULIÈRE

1. **Entretenez les étiquettes et marques du fabricant.** Les indications qu'elles contiennent sont précieuses. Si elles deviennent illisibles ou se détachent, faites-les remplacer gratuitement à un centre de service *MILWAUKEE* accrédité.
2. **AVERTISSEMENT!** La poussière dégagée par perçage, sciage et autres travaux de construction contient des substances chimiques reconnues comme pouvant causer le cancer, des malformations congénitales ou d'autres troubles de reproduction. Voici quelques exemples de telles substances :
 - Le plomb contenu dans la peinture au plomb.
 - Le silice cristallin contenu dans la brique, le béton et divers produits de maçonnerie.
 - L'arsenic et le chrome servant au traitement chimique du bois.

Les risques associés à l'exposition à ces substances varient, dépendant de la fréquence des travaux. Afin de minimiser l'exposition à ces substances chimiques, assurez-vous de travailler dans un endroit bien aéré et d'utiliser de l'équipement de sécurité tel un masque antipoussière spécifiquement conçu pour la filtration de particules microscopiques.

Pictographie

	Tension CD seul.
$n_{xxxx}/min.$	Impacts par minute à charge (IPM)
	Disposez correctement des batteries au nickel-cadmium
	Underwriters Laboratories, Inc.
$n_{oxxxx}/min.$	Tours-minute à vide (RPM)

Spécifications

No de cat.	Type	Tension volts c.d.	RPM	Pivot d'entraînement	IPM	Sortie de couple moyenne
CP 8930	Clé à chocs	14,4	0 - 2 600	Carré de 3/8"	0 - 3 500	119 N·m
CP 8740	Clé à chocs	14,4	0 - 2 600	Carré de 1/2"	0 - 3 500	159 N·m

DESCRIPTION FONCTIONNELLE

No de cat. CP 8930

1. Pivot d'entraînement carré de 3/8"
2. Inverseur de rotation
3. Gâchette
4. Bloc de piles
5. Boutons de déverrouillage du bloc de piles
6. Pivot d'entraînement carré de 1/2"



No de cat. CP 8740



RECHARGE ET USAGE DE LA BATTERIE



AVERTISSEMENT!

Seules les batteries *Chicago Pneumatic* 9,6V, 12V, 14,4V et 18V doivent être rechargées avec le chargeur de batterie. D'autres types de batteries pourraient exploser et causer des dommages et des blessures corporelles.

Rechargez la batterie avant de vous servir de l'outil la première fois ou lorsque l'outil n'offre plus la puissance et le couple nécessaires au travail à accomplir. Ne laissez pas la batterie s'épuiser complètement. La durée normale de recharge est variable selon le type de chargeur utilisé. Elle peut aussi varier selon le voltage à la source et la recharge nécessaire. Par exemple, si la batterie n'a pas besoin d'une recharge complète, la durée de recharge sera moindre.

VEUILLEZ CONSULTER LA MANUEL L'UTILISATEUR QUI ACCOMPAGNE LE CHARGEUR POUR CONNAÎTRE EN DÉTAIL LA TECHNIQUE DE RECHARGE.

Les batteries sont affectées par la température. La vôtre aura un meilleur rendement et durera plus longtemps si la recharge est effectuée à une température se situant entre 15°C et 27°C (60°-80°F). Ne procédez pas à une recharge lorsque la température est inférieure à 5°C (40°F) ou supérieure à 40°C (105°F), car à ces températures, la recharge sera moins efficace (voir "Maniement").

Retrait de la batterie de l'outil (Fig. 1)

Appuyez sur les boutons de dégagement et retirez la batterie de l'outil.

Introduction de la batterie dans l'outil (Fig. 1 et 2)

La batterie peut être introduite dans l'outil de deux façons.

1. Lorsque l'espace est restreint.

Introduisez la batterie par le devant en appuyant sur les boutons de dégagement et en la glissant dans le corps de l'outil pour qu'elle s'enclenche (Fig. 1). Pour insérer la batterie dans l'outil, enfoncez les boutons de dégagement et glissez-la dans l'outil.

Fig. 1



2. Pour une bonne répartition du poids et un bon équilibre.

Introduisez la batterie par l'arrière en appuyant sur les boutons de dégagement et en la glissant dans le corps de l'outil pour qu'elle s'enclenche (Fig. 2).

Fig. 2



MONTAGE DE L'OUTIL

AVERTISSEMENT!

Il faut toujours retirer la batterie et verrouiller la détente de l'outil avant de changer ou d'enlever les accessoires. L'emploi d'accessoires autres que ceux qui sont expressément recommandés pour cet outil peut comporter des risques.

AVERTISSEMENT!

N'utilisez que des douilles ou des accessoires spécifiquement conçus pour les clés à chocs et les visseuses. D'autres douilles ou accessoires pourraient se briser ou éclater et entraîner des blessures.

Installation et retrait d'accessoires

Ces clés à chocs sont conçues pour être utilisées seulement avec des douilles pour clés à chocs munies d'un pivot d'entraînement carré de 3/8" ou 1/2". D'autres types de douilles pourraient éclater ou se briser et entraîner des blessures.

1. Pour fixer une douille ou un autre accessoire, alignez l'accessoire avec le pivot d'entraînement et poussez-le fermement sur l'anneau de retenue.
2. Pour retirer l'accessoire, tirez-le directement hors du pivot d'entraînement.

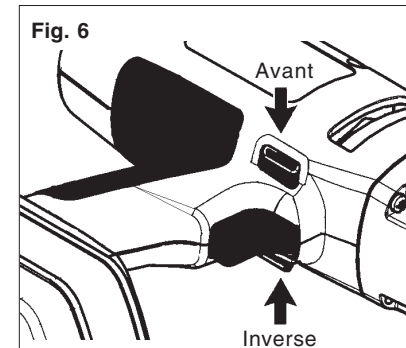
MANIEMENT

AVERTISSEMENT!

Pour minimiser les risques de blessures, portez des lunettes à coques latérales.

Utilisation l'inverseur de rotation (Fig. 6)

L'inverseur de rotation peut être placé à trois positions : « Forward » (rotation avant), « Reverse » (rotation inverse) et « Lock » (verrouillage). À cause de son mécanisme de verrouillage, l'inverseur de rotation peut être positionné uniquement lorsque la détente n'est pas enfoncée. Attendez toujours l'arrêt complet du moteur avant d'actionner l'inverseur de rotation.



1. Pour la rotation **avant** (sens horaire) poussez l'inverseur de rotation à la position « Forward ». Vérifiez le sens de la rotation avant d'actionner l'inverseur de rotation.
2. Pour la rotation **inverse** (sens inverse-horaire) poussez l'inverseur de rotation à la position « Reverse ». Vérifiez le sens de la rotation avant d'actionner l'inverseur de rotation.
3. Pour verrouiller la détente, poussez l'inverseur de rotation à la position centrale. La détente ne peut être actionnée lorsque l'inverseur de rotation est à la position de verrouillage. Verrouillez toujours la détente ou retirez la batterie de l'outil avant de procéder à des travaux d'entretien, au changement des accessoires, au rangement de l'outil ou lorsque l'outil n'est pas utilisé.

Démarrage, arrêt et contrôle de vitesse

Ces outils peuvent être utilisés à n'importe quelle vitesse entre 0 et le plein régime.

1. Pour mettre l'outil **en marche**, appuyez sur la détente.
2. Pour varier la vitesse de rotation, il s'agit simplement d'augmenter ou de diminuer la pression sur la détente. Plus la détente est enfoncée, plus la vitesse de rotation est grande.
3. Pour arrêter l'outil, relâchez la gâchette et le frein électrique arrête l'outil instantanément.

Techniques de serrage

Le degré de serrage du boulon, de la vis ou de l'écrou est proportionnel à la durée de la percussion. Pour éviter d'endommager les fixations ou le matériau, limitez la durée de la percussion. Soyez particulièrement prudent lorsque vous serrez des fixations de petit calibre qui requièrent moins de percussion.

Pratiquez le serrage à percussion avec divers types de fixations afin d'apprendre quelle est la durée de percussion nécessaire pour obtenir le couple désiré. Vérifiez le serrage à l'aide d'une clé dynamométrique. Si la fixation est trop serrée, réduisez la durée de percussion. Si la fixation n'est pas serrée à fond, augmentez la durée de percussion.

Deux secondes de percussion suffisent habituellement pour serrer un boulon de 3/8" et une seconde pour un de 5/16". Cependant, l'huile, la poussière ou d'autres saletés sur le filetage ou sous la tête de la fixation peuvent affecter le degré de serrage.

Le couple nécessaire pour desserrer une fixation est, en moyenne, 75 % à 80 % du couple nécessaire pour la serrer, selon l'état des surfaces en contact.

Pour les simples tâches de joint d'étanchéité, percez chaque fixation pour un serrage relativement léger et terminez le serrage à la main à l'aide de la clé dynamométrique.

MAINTENANCE



AVERTISSEMENT!

Pour minimiser les risques de blessures corporelles, débranchez le chargeur et retirez la batterie du chargeur ou de l'outil avant d'y effectuer des travaux d'entretien. Ne démontez jamais l'outil, la batterie ou le chargeur. Pour toute réparation, consultez un centre de service MILWAUKEE accrédité.

Gardez l'outil, la batterie et le chargeur en bon état en adoptant un programme d'entretien ponctuel. Après une période de six mois à un an, selon l'utilisation, renvoyez l'outil, la batterie et le chargeur à un centre de service MILWAUKEE accrédité pour les services suivants:

- Lubrification
- Inspection et nettoyage de la mécanique (engrenages, pivots, coussinets, boîtier etc.)
- Inspection électrique (batterie, chargeur, moteur)
- Vérification du fonctionnement électromécanique

Entretien de l'outil

Si l'outil ne démarre pas ou ne fonctionne pas à pleine puissance alors qu'il est branché sur une batterie complètement chargée, nettoyez les points de contact entre la batterie et l'outil. Si l'outil ne fonctionne toujours pas correctement, renvoyez l'outil, le chargeur et la batterie à un centre de service MILWAUKEE accrédité, afin qu'on en effectue la réparation (voir "Réparations").

Entretien de la batterie

Les batteries *Chicago Pneumatic* sont conçues pour durer plusieurs années et/ou des milliers de cycles lorsqu'elles sont bien entretenues et utilisées selon les instructions de ce manuel.

Une batterie qui est rangée durant six mois perdra sa charge si elle n'est pas utilisée. Les batteries se déchargent selon un taux d'environ 1% par jour. Rechargez la batterie tous les six mois, même si elle n'est

pas utilisée, cela prolongera sa durée. N'maintenez pas la détente d'interrupteur à la position "ON" à l'aide d'un ruban adhésif et ne laissez pas l'outil sans surveillance car cela pourrait décharger la batterie à un point tel qu'il deviendra impossible de la recharger. Employez une batterie *Chicago Pneumatic* aussi longtemps qu'elle fournira la puissance requise.

Rangez la batterie dans un endroit frais et sec. Ne la rangez pas dans un endroit où la température pourrait excéder 50°C (120°F), dans un véhicule ou une structure d'acier, l'été par exemple. Les températures élevées provoquent la surchauffe de la batterie et en réduisent la durée. Si la batterie est rangée pour une période de plusieurs mois, elle perdra graduellement sa charge. Cependant, après plusieurs cycles de recharge et de décharge en période d'utilisation normale, elle retrouvera sa charge initiale. Avec le temps, les intervalles entre les recharges de la batterie deviendront de plus en plus courts. Lorsque ces intervalles, devenus trop courts, rendront l'outil inutilisable, il faudra remplacer la batterie.

Nettoyage

Débarassez les événements du chargeur et de l'outil des débris et de la poussière. Gardez les poignées de l'outil propres, à sec et exemptes d'huile ou de graisse. Le nettoyage de l'outil, du chargeur et de la batterie doit se faire avec un linge humide et un savon doux. Certains nettoyants tels l'essence, la térébenthine, les diluants à laque ou à peinture, les solvants chlorés, l'ammoniac et les détergents d'usage domestique qui en contiennent pourraient détériorer le plastique et l'isolation des pièces. Ne laissez jamais de solvants inflammables ou combustibles auprès de l'outil.



AVERTISSEMENT!

Pour minimiser les risques de blessures ou de dommages à l'outil, n'immergez jamais l'outil, la batterie ou le chargeur et ne laissez pas de liquide s'y infiltrer.



AVERTISSEMENT!

Pour minimiser les risques d'explosion ne faites jamais brûler une batterie, même si elle est avariée, âgée ou complètement épuisée.

Sceaux de recyclage pour pile RBRC

Les sceaux de recyclage pour piles RBRC™ (voir la « Pictographie ») sur la pile de votre outil, indiquent que MILWAUKEE a pris des dispositions avec Rechargeable Battery Recycling Corporation (RBRC) pour le recyclage de ce bloc de piles. Lorsque la vie utile de ce bloc de pile est épuisée, retournez-le à une succursale ou à un centre de service MILWAUKEE, ou au détaillant participant le plus près de chez vous. Pour obtenir plus d'informations, visitez le site Web RBRC au www.rbrc.org.

ACCESSOIRES



AVERTISSEMENT!

Il faut toujours retirer la batterie et verrouiller la détente de l'outil avant de changer ou d'enlever les accessoires. L'emploi d'accessoires autres que ceux qui sont expressément recommandés pour cet outil peut comporter des risques.

Batterie 14,4 V

Convient aux chargeurs *Chicago Pneumatic*
No de cat. 8940158629

2,4 Amp - Heure

No de cat. 8940158630

Chargeur 120 V

Pour la recharge des batteries de 9,6-18 V.

Chargeur universel 1 heure

No de cat. 8940158629

Disposition des batteries au nickel-cadmium

Les batteries au nickel-cadmium sont recyclables. En vertu des différents règlements provinciaux et locaux, il peut être illégal de disposer d'une batterie par le service d'enfouissement des déchets. Disposez de votre batterie en conformité de la réglementation fédérale, provinciale et locale.

Réparations

Pour les réparations, retournez outil, batterie et chargeur en entier au centre-service le plus près, selon la liste apparaissant à la dernière page de ce manuel.

Garantie des batteries

Les batteries pour outils sans cordon sont garanties pour un an à compter de la date d'achat.

No de cat. 8940158630



No de cat. 8940158629

GARANTIE

Politique de garantie limitée et de service de Chicago Pneumatic Tool Company

Les produits de Chicago Pneumatic Tool Company (« CP ») sont garantis contre tout défaut de matière ou de main d'œuvre pendant un (1) an à partir de la date d'achat. Cette garantie s'applique seulement aux produits neufs achetés de CP ou de ses concessionnaires autorisés. Cette garantie ne s'applique évidemment pas aux produits qui ont été maltraités, modifiés ou réparés par des personnes ou des services autres que ceux de CP et de ses représentants de service autorisés.

Si un produit CP s'avère être défectueux en matière ou en main d'œuvre pendant l'année suivant sa date d'achat, le renvoyer à tout Centre de service autorisé*, transport payé, en incluant votre nom, votre adresse, une preuve adéquate de la date d'achat et une brève description du défaut. CP (ou ses filiales) s'engagent à réparer ou remplacer sans frais, à leur discrétion, les produits défectueux. Les réparations ou les remplacements sont garantis tel que décrit ci-dessus pour la portion restante de la période de garantie. La seule responsabilité de CP, et votre seul recours dans le cadre de cette garantie, est limitée à la réparation ou au remplacement du produit défectueux.

LA GARANTIE QUI PRÉCÈDE EST EXCLUSIVE ET REMPLACE TOUTE AUTRE GARANTIE OU CONDITION, ÉCRITE OU VERBALE, EXPLICITE OU IMPLICITE, INCLUANT, MAIS SANS S'Y LIMITER, TOUTES LES GARANTIES, CONDITIONS, VALEURS MARCHANDES OU APPLICATIONS À UN USAGE PARTICULIER, POUR LESQUELLES CP DÉCLINE TOUTE RESPONSABILITÉ EN VERTU DE LA PRÉSENTE. LA PRÉSENTE DÉCLINE TOUTE RESPONSABILITÉ POUVANT RÉSULTER DE DOMMAGES INDIRECTS, CONSÉCUTIFS OU SPÉCIAUX, OU DE TOUT AUTRE DOMMAGE, COÛT OU DÉPENSE, À L'EXCEPTION DES COÛTS OU DES DÉPENSES DE REMPLACEMENT OU DE RÉPARATION.

Utiliser uniquement des pièces autorisées. Tout dommage ou mauvais fonctionnement résultant de l'utilisation d'une pièce non autorisée n'est pas couvert par la garantie. Cette garantie donne des droits légaux spécifiques. Les consommateurs peuvent jouir d'autres droits qui varient d'une juridiction à l'autre.

Chicago Pneumatic Tool Company
1800 Overview Drive
Rock Hill, South Carolina 29730-7463

* Les produits CP décrits dans ce manuel peuvent être envoyés pour fins de réparation à toute filiale ou à tout Centre de service MILWAUKEE ELECTRIC TOOL CORPORATION ou à toute station de service autorisée de MILWAUKEE. Voir au verso pour obtenir des informations sur la façon d'identifier le centre le plus près de chez vous.

INSTRUCCIONES GENERALES DE SEGURIDAD PARA LAS HERRAMIENTAS A BATERIAS



¡ADVERTENCIA!

LEA Y ENTIENDA TODAS LAS INSTRUCCIONES
El no seguir las instrucciones a continuación puede ocasionar una descarga eléctrica, incendio y/o lesiones graves.
GUARDE ESTAS INSTRUCCIONES

AREA DE TRABAJO

1. **Mantenga el área de trabajo limpia e iluminada.** Las mesas de trabajo desordenadas y las áreas con poca iluminación propician los accidentes.
2. **No opere las herramientas con motor en ambientes explosivos, tales como los ambientes con líquidos, gases o polvo inflamables.** Las herramientas con motor producen chispas que pueden inflamar el polvo o los gases.
3. **Mantenga a las personas alejadas mientras esté utilizando una herramienta con motor.** Las distracciones pueden causar la pérdida del control de la herramienta. Proteja a las demás personas en el área de trabajo contra escombros, tales como astillas y chispas. Instale barreras si se necesitan.

SEGURIDAD ELECTRICA

4. **No utilice los cordones de manera inadecuada. Nunca transporte la herramienta por el cordón. Mantenga el cordón alejado del calor, aceite, bordes afilados o partes en movimiento. Sustituya los cordones dañados inmediatamente.** Los cordones dañados pueden causar un incendio.
5. **Una herramienta con baterías incorporadas o con una batería separada debe ser recargada solamente con el cargador específico para este tipo de batería.** Un cargador que es apropiado

para un tipo de batería puede producir riesgo de incendio si se usa con otra batería.

6. **Use la herramienta a batería solamente con la batería específicamente designada para ella.** El uso de cualquier otro tipo de batería puede producir riesgo de incendio.

SEGURIDAD PERSONAL

7. **Ponga mucha atención, fíjese en lo que hace y use su sentido común al operar una herramienta con motor. No use la herramienta cuando esté cansado o bajo la influencia del alcohol, drogas o medicamentos.** Descuidarse por sólo un momento cuando se esté utilizando la herramienta, puede resultar en lesiones graves.
8. **Vístase apropiadamente. No lleve ropa o joyas sueltas. Mantenga el pelo largo recogido. Mantenga el cabello, la ropa y los guantes alejados de las partes en movibles.** Las ropas sueltas, las joyas, o el cabello largo pueden engancharse en las partes movibles.
9. **Evite el encendido accidental de la herramienta. Asegúrese que el gatillo esté bloqueado o apagado antes de insertar la batería.** Llevar la herramienta con el dedo sobre el gatillo o insertar la batería en una herramienta con el gatillo encendido, aumenta el riesgo de accidentes.
10. **Saque las llaves antes de encender la herramienta.** Una llave sujeta a una parte en movimiento puede causar lesiones.

11. **No se aleje demasiado del material de trabajo. Siempre mantenga el equilibrio.** El equilibrio correcto permite el mejor control de la herramienta durante situaciones inesperadas.
12. **Utilice el equipo de seguridad. Siempre utilice la protección para los ojos.** Se debe usar una máscara contra el polvo, zapatos de seguridad antidelizantes, casco y protector para los oídos, cuando las condiciones así lo requieran.

USO Y MANTENIMIENTO DE LA HERRAMIENTA

13. **Utilice abrazaderas u otra manera práctica para sujetar y apoyar el material en una plataforma estable.** Tener el material en la mano o contra el cuerpo es inestable y puede causar la pérdida del control.
14. **No fuerce la herramienta. Utilice la herramienta apropiada para la aplicación.** La herramienta realizará el trabajo de manera más eficaz y segura, si la opera a la velocidad apropiada.
15. **Si el gatillo no enciende o apaga la herramienta, no utilice la herramienta.** Una herramienta que no se puede controlar con el gatillo es peligrosa y debe ser reparada.
16. **Desconecte la batería de la herramienta o coloque el gatillo en la posición de bloqueo o apagado antes de realizar un ajuste, cambiar accesorios o almacenar la herramienta.** Tales medidas preventivas de seguridad reducen el riesgo de encender la herramienta accidentalmente.
17. **Almacene las herramientas que no se estén usando fuera del alcance de los niños y de personas que no estén capacitadas.** Es peligroso permitir a los usuarios utilizar las herramientas, si no están capacitados previamente.
18. **Cuando la herramienta no esté en uso, manténgala alejada de otros objetos metálicos tales como clips, moneda, llaves, clavos, tor-**

nillos u otro objetos pequeños metálicos que pueden realizar una conexión desde un terminal a otro. Hacer un cortocircuito de los terminales de la batería, puede producir chispas, quemaduras o un incendio.

19. **Mantenga las herramientas en buenas condiciones. Las herramientas cortadoras deben mantenerse afiladas y limpias.** Esto reduce el riesgo de que la herramienta se atasque y facilita el control de la misma.
20. **Verifique que las partes en movimiento estén alineadas y no estén atascadas. También debe verificarse que las partes no estén rotas o tengan cualquier otra condición que pueda afectar el funcionamiento de la herramienta. Si está dañada, se debe reparar la herramienta antes de utilizarla.** Muchos accidentes se deben al mantenimiento incorrecto de la herramienta. No utilice una herramienta dañada. Colóquela una etiqueta que diga "No Debe Usarse" hasta que sea reparada.
21. **Utilice solamente los accesorios recomendados por el fabricante para ese modelo.** Los accesorios que son apropiados para una herramienta pueden aumentar el riesgo de lesiones cuando se usan con otra herramienta.

SERVICIO

22. **El servicio de mantenimiento debe ser realizado solamente por personal técnico debidamente capacitado.** El servicio o mantenimiento realizado por personal no calificado puede aumentar el riesgo de lesiones.
23. **Cuando realice el servicio de mantenimiento, utilice solamente repuestos idénticos. Siga las instrucciones en la sección de mantenimiento de este manual.** El uso de partes no autorizadas o el incumplimiento de las instrucciones de mantenimiento puede aumentar el riesgo de descarga eléctrica o lesiones.

REGLAS ESPECIFICAS DE SEGURIDAD

1. **Guarde las etiquetas y placas de especificaciones.** Estas tienen información importante. Si son ilegibles o si no se pueden encontrar, póngase en contacto con un centro de servicio de *MILWAUKEE* para una refacción gratis.
2. **¡ADVERTENCIA!** Algunas partículas de polvo resultantes del lijado mecánico, aserrado, esmerilado, taladrado y otras actividades relacionadas a la construcción, contienen sustancias químicas que se saben ocasionan cáncer, defectos congénitos u otros daños al aparato reproductivo. A continuación se citan algunos ejemplos de tales sustancias químicas:
 - plomo proveniente de pinturas con base de plomo
 - sílice cristalino proveniente de ladrillos, cemento y otros productos de albañilería y
 - arsénico y cromo provenientes de madera químicamente tratada.

El riesgo que usted sufre debido a la exposición varía dependiendo de la frecuencia con la que usted realiza estas tareas. Para reducir la exposición a estas sustancias químicas: trabaje en un área bien ventilada, y utilice equipo de seguridad aprobado como, por ejemplo, máscaras contra el polvo que hayan sido específicamente diseñadas para filtrar partículas microscópicas.

Simbología

	Volts corriente directa
$n_{xxxx}/\text{min.}$	Impactos por minuto bajo carga (IPM)
	Baterías de níquel cadmio correctamente recicladas
	Underwriters Laboratories, Inc.
$n_{o}xxxx/\text{min.}$	Revoluciones por minuto sin carga (RPM)

Especificaciones

Cat. No.	Tipo	Volts cd	RPM	Vástago Impulsor	IPM	Rendimiento de Par Promedio
CP 8730	Llave de Impacto	14,4	0 - 2 600	3/8" Cuadrado	0 - 3 500	119 N-m
CP 8740	Llave de Impacto	14,4	0 - 2 600	1/2" Cuadrado	0 - 3 500	159 N-m

DESCRIPCION FUNCIONAL

Cat. No. CP 8730



1. Vástago impulsor cuadrado de 3/8"
2. Palanca de Avance/Retroceso
3. Gatillo
4. Batería
5. Botones de liberación de la batería
6. Vástago impulsor cuadrado de 1/2"



Cat. No. CP 8740

USO Y CARGA DE LA BATERIA



Cargue solamente las baterías Chicago Pneumatic de 9,6V, 12V, 14,4 V y 18 V en cargadores. Otros tipos de baterías pueden explotar y causar lesiones personales y daños.

Cargue su batería antes de usar su herramienta por primera vez o cuando la misma no opera ya con el poder y torque necesarios para la aplicación. La capacidad total de carga de batería es alcanzada sólo después de 4-5 cargas. Nunca permita que la batería se descargue por completo. El tiempo estándar de cargado variará dependiendo del tipo de cargador que utilice. El tiempo estándar de cargado variará dependiendo del voltaje en el tomacorriente y de la carga que necesita la batería. Por ejemplo, si su batería no requiere una carga completa, el tiempo para cargarla será menor.

PARA CONOCER LAS INSTRUCCIONES ESPECIFICAS DE CARGADO, POR FAVOR LEA LA HOJA DE INSTRUCCIONES QUE VIENE CON SU CARGADOR.

Las baterías pueden ser afectadas por la temperatura. Su batería se desempeñará mejor y tendrá una vida útil más larga si se carga en ambientes con temperaturas entre 15° - 27°C (60° - 80°F). No la cargue en ambientes con temperaturas por debajo de 5°C (40°F) o por encima de 40°C (105°F). Si lo hace en estas condiciones, reducirá la capacidad de la batería (vea "Mantenimiento").

Como se quita la batería de la herramienta

Presione el botón de liberación y saque la batería.

Cómo se retira la batería de la herramienta (Fig. 1 y 2)

Presione el botón de liberación y retire la batería.

1. Para trabajar en espacios reducidos. Coloque la batería desde el frente, presionando el botón de liberación, deslizando la batería en la parte principal de la herramienta (Fig. 1).

Fig. 1



2. Para una óptima distribución de peso y equilibrio. Coloque la batería desde la parte posterior, presionando el botón de liberación y deslizando la batería en el cuerpo de la herramienta (Fig. 2). Coloque la batería hasta que la grapa se accione. Coloque la batería hasta que la grapa se accione.

Fig. 2



ENSAMBAJE

¡ADVERTENCIA!

Cuando use herramientas eléctricas es necesario siempre seguir ciertas precauciones básicas de seguridad con el objeto de reducir el riesgo de descargas eléctricas o lesiones al operario.

¡ADVERTENCIA!

Utilice únicamente adaptadores y otros accesorios específicamente diseñados para uso con impulsores y llaves de impacto. Otros adaptadores y accesorios podrían fragmentarse o romperse y ocasionar lesiones.

Cómo Colocar y Desmontar Accesorios

Estas llaves de impacto han sido creadas para uso exclusivo con adaptadores diseñados para llaves de impacto con impulsor cuadrado de 3/8" o de 1/2". Otros adaptadores podrían fragmentarse o romperse y ocasionar lesiones.

1. Para colocar un adaptador u otro accesorio, alinee el accesorio con el vástago impulsor y empujelo firmemente sobre el anillo de retención.
2. Para extraer el accesorio, tire de él para separarlo del vástago impulsor.

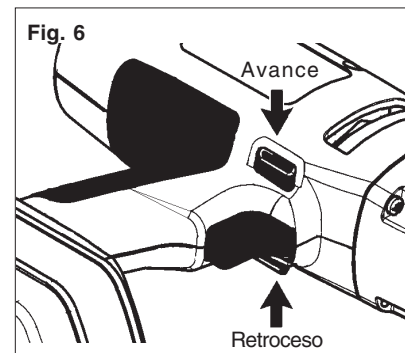
OPERACION

¡ADVERTENCIA!

Para reducir el riesgo de lesiones, use siempre lentes de seguridad o anteojos con protectores laterales.

Uso de la palanca de avance/retroceso

La palanca de avance/retroceso puede ajustarse en tres posiciones: avance, retroceso y bloqueo. El mecanismo de bloqueo permite ajustar la palanca de avance/retroceso únicamente cuando el gatillo no se encuentra oprimido. Permita que el motor se detenga por completo antes de utilizar la palanca de avance/retroceso.



1. Para seleccionar la rotación de **avance** (hacia la derecha), empuje la palanca de avance/retroceso en la dirección que se muestra. Revise la dirección de la rotación antes de utilizar.
2. Para seleccionar la rotación de **retroceso** (hacia la izquierda), empuje la palanca de avance/retroceso en la dirección que se muestra. Revise la dirección de la rotación antes de utilizar.

3. Para bloquear el gatillo, empuje la palanca de avance/retroceso hacia el centro. El gatillo no funcionará cuando la palanca de avance/retroceso se encuentre en la posición de bloqueo. Siempre bloquee el gatillo o retire la batería antes de realizar el mantenimiento, cambiar accesorios, almacenar la herramienta, y siempre que no se vaya a utilizar la herramienta. Arranque, paro y control de velocidad

Arranque, paro y control de velocidad

Estas herramientas pueden operarse a cualquier velocidad entre 0 y plena marcha.

1. Para **accionar** la herramienta, oprima el gatillo.
2. Para variar la velocidad de operación, simplemente aumente o disminuya la presión del gatillo. Cuanto más se oprima el gatillo, mayor será la velocidad.
3. Para **detener** la herramienta, suelte el gatillo y el freno eléctrico detendrá la herramienta instantáneamente.

Técnicas para impactar

Mientras más tiempo se impacta a un tornillo, tuerca o birlo, más apretado quedará. Para ayudar a prevenir dañar tanto el material como los sujetadores, evite impactarlos en exceso. Sea particularmente cuidadoso cuando impacte sujetadores que sean de tamaño pequeño ya que estos requerirán menos impactos para alcanzar el torque deseado.

Practique impactando con diferentes tipos de sujetadores para que observe el tiempo que se requiere impactar para alcanzar el torque deseado. Verifique el grado de apriete usando un torquímetro de mano. Si los sujetadores quedaron muy apretados, reduzca el tiempo de impacto. Si no están suficientemente apretados, aumente el tiempo de impacto.

El impacto durante dos segundos es generalmente suficiente para un tornillo de 3/8" y un segundo para un tornillo de 5/16". Sin embargo, el aceite, la suciedad, el óxido u otro material en los hilos o bajo la cabeza del sujetador afecta el grado de apriete.

El torque requerido para aflojar un sujetador está, en promedio, entre el 75% y el 80% de torque que fue requerido para apretarlo, dependiendo esto de las condiciones de las superficies de contacto.

En los trabajos que lleven juntas ligeras, lleve cada sujetador hasta un torque relativamente bajo y, luego, use una llave de torque manual para el apriete final.

MANTENIMIENTO



¡ADVERTENCIA!

Para reducir el riesgo de una lesión, desconecte siempre la herramienta antes de darle cualquier mantenimiento. Nunca desarme la herramienta ni trate de hacer modificaciones en el sistema eléctrico de la misma. Acuda siempre a un Centro de Servicio MILWAUKEE para TODAS las reparaciones.

Adopte un programa regular de mantenimiento y mantenga sus baterías y cargador en buenas condiciones. Después de 6 meses a un año, dependiendo del uso dado, envíe su herramienta, batería y cargador, al Centro de Servicio MILWAUKEE más cercano para que le hagan:

- Lubricación
- Inspección mecánica y limpieza (engranes, flechas, baleros, carcasa, etc.)
- Inspección eléctrica (batería, cargador, motor)
- Probarla para asegurar una adecuada operación mecánica y eléctrica

Mantenimiento de la herramienta

Si la herramienta no arranca u opera a toda su potencia con una batería completamente cargada, limpie, con una goma o borrador, los contactos de la batería y de la herramienta. Si aun así la herramienta no trabaja correctamente, regrésela, con el cargador y la batería, a un centro de servicio MILWAUKEE para que sea reparada.

Mantenimiento de las baterías

Las baterías *Chicago Pneumatic* de Níquel-Cadmio operarán por muchos años y / o cientos de ciclos, cuando son usadas y mantenidas de acuerdo a las instrucciones.

Una batería que está guardada, sin usarse, por seis meses, se descargará. Las baterías se descargan a razón de 1% por día. Con el objeto de maximizar la vida de la batería, cárguela batería cada seis meses

aun si no la usa. No trabe el interruptor en la posición "ON", dejando la herramienta sin cuidados ya que se podría descargar la batería a un grado tal que no podría volver a cargarse nunca más. Use una batería *Chicago Pneumatic* hasta que ya no trabaje con la potencia y el torque necesario para la aplicación requerida.

Almacene su batería en un sitio seco y fresco. No lo almacene donde las temperaturas puedan exceder 50° C (120°F), como puede ser dentro de un vehículo o un edificio metálico durante el verano. Las altas temperaturas sobrecalentarán la batería, reduciendo la vida de la misma. Si se le guarda por varios meses, la batería perderá su carga en forma gradual. Se llevará entre uno y tres ciclos de carga y descarga con un uso normal, para que se restablezca la capacidad total de la batería. Durante la vida de la batería, el tiempo operativo de la misma se va reduciendo. Si este tiempo operativo se vuelve demasiado corto luego de una carga adecuada, significa que la vida útil de la batería ha sido concluida y deberá cambiarse por una nueva.

Limpieza

Limpie el polvo y suciedad de las ventilas del cargador y la herramienta. Mantenga los mangos y empuñaduras limpios, secos y libres de aceite o grasa. Use solo jabón neutro y un trapo húmedo para limpiar la herramienta, batería y el cargador, ya que algunos substancias y solventes limpiadores son dañinos a los plásticos y partes aislantes. Algunos de estos incluyen: gasolina, turpentina, thinner, lacas, thinner para pinturas, solventes para limpieza con cloro, amoníaco y detergentes caseros que tengan amonía. Nunca use solventes inflamables o combustibles cerca de una herramienta.



¡ADVERTENCIA!

Para reducir el riesgo de una lesión, descarga eléctrica o daño a la herramienta, batería o cargador, nunca los sumerja en líquidos ni permita que estos fluyan dentro de los mismos.



¡ADVERTENCIA!

Para reducir el riesgo de una explosión, no quemé nunca una batería, aun si está dañada, "muerta" o completamente descargada.

Sellos de Reciclaje de Baterías RBRC

Los Sellos de Reciclaje de Baterías RBRC™ (véase "Simbología") en las baterías de su herramienta indican que MILWAUKEE ha hecho los arreglos pertinentes para reciclar dichas baterías con la *Rechargeable Battery Recycling Corporation* (Corporación de Reciclaje de Baterías Recargables, o RBRC por sus siglas en inglés). Al final de la vida útil de las baterías, devuelva éstas a la Oficina Principal/Centro de Servicio de MILWAUKEE o el distribuidor autorizado

más cercano a usted. Si desea mayor información, visite el sitio web de RBCR en www.rbcrc.org.

Cómo desechar las baterías de níquel-cadmio

Las baterías de níquel-cadmio son reciclables. Bajo ciertas leyes estatales y locales, puede ser ilegal desechar las baterías en el drenaje municipal. Deshágase de ellas de acuerdo con los reglamentos federales, estatales y locales.

Reparaciones

Si su herramienta, batería o cargador están dañados, envíela al centro de servicio más cercano de los listados en la cubierta posterior de este manual del operario.

Garantía de la batería

Las baterías para herramientas están garantizadas por un año a partir de la fecha de compra.

GARANTIA

Política de Servicio y Garantía Limitada de Chicago Pneumatic Tool Company

Se garantiza que los productos de Chicago Pneumatic Tool Company ("CP") están libres de fallas en el material y la mano de obra por un año a partir de la fecha de compra. Esta garantía aplica únicamente a productos nuevos adquiridos de CP o sus distribuidores autorizados. Ciertamente, esta garantía no aplica a productos que hayan sido abusados, alterados o reparados por personas que no pertenezcan a CP o sean Representantes de Servicio Autorizados.

Si un producto CP se encuentra está defectuoso ya sea en el material o en la mano de obra dentro del transcurso de un año luego de su fecha de compra, devuélvalo con flete pagado a cualquier Centro de Servicio Autorizado*, e incluya su nombre y dirección, prueba adecuada de la fecha de compra y una breve descripción del defecto. CP (o sus afiliados), a su discreción, repararán o reemplazarán los productos defectuosos libre de cargo. Las reparaciones o los reemplazos están garantizados según se describe anteriormente por la porción restante del período de la garantía original. La única responsabilidad de CP, y el remedio exclusivo de usted bajo esta Garantía, está limitada a la reparación o el reemplazo del producto defectuoso.

LA GARANTIA QUE PRECEDE ES EXCLUSIVA Y SE CONFIERE EN LUGAR DE TODA OTRA GARANTIA, O CONDICION, VERBAL O ESCRITA, EXPRESA O IMPLICITA, INCLUYENDO, SIN LIMITACION, TODA GARANTIA O CONDICION, O COMERCIALIZACION O IDONEIDAD PARA UN PROPOSITO EN PARTICULAR, PARA LOS CUALES CP DECLINA TODA RESPONSABILIDAD EN VIRTUD DE LA PRESENTE. NO SE ASUMIRA RESPONSABILIDAD POR DAÑOS INCIDENTALES, CONSECUENTES O ESPECIALES, O CUALQUIER DAÑO, COSTO O GASTO, SALVO EL COSTO O GASTO DE REEMPLAZO O REPARACION.

Utilice únicamente piezas autorizadas. La garantía no cubre el daño o funcionamiento incorrecto ocasionado por el uso de piezas no autorizadas. Esta garantía le otorga derechos legales específicos. Los consumidores podrían tener además otros derechos bajo la ley estatal o federal.

Chicago Pneumatic Tool Company
1800 Overview Drive
Rock Hill, South Carolina 29730-7463

* Los productos CP descritos en este manual pueden enviarse a cualquier oficina principal/centro de servicio de MILWAUKEE ELECTRIC TOOL CORPORATION o estación de servicio autorizada MILWAUKEE para su reparación. Consulte el dorso para obtener información sobre cómo ubicar el centro más cercano a usted.

ACCESORIOS



¡ADVERTENCIA!

Siempre retire la batería antes de cambiar o retirar accesorios. Utilice únicamente accesorios específicamente recomendados para esta herramienta. El de uso accesorios no recomendados podría resultar peligroso.

Batería de 14,4 V

Puede usarse con los cargadores de Chicago Pneumatic Cat. No. 8940158629

2,4 Amps-Horas
Cat. No. 8940158630

Cat. No. 8940158630



Cargador de 120 V

Para cargar baterías de hasta 9,6 -18 V.

Cargador Universal de 1 Hora
Cat. No. 8940158629



Cat. No. 8940158629

UNITED STATES
MILWAUKEE Service of CP Products

To contact the *factory* SERVICE CENTER or authorized service station nearest you, call

1-800-414-6527

TOLL FREE • NATIONWIDE

Monday-Friday • 8:00 AM - 4:30 PM • Local Time

In addition, there is a worldwide network of distributors and authorized service stations ready to assist you. Check your "Yellow Pages" under "Tools-Electric" for the names of those nearest you.

For further information on *factory* SERVICE CENTER or authorized service station locations, visit our website at:

www.mil-electric-tool.com

Product Service Support and
Technical Information

1-800-729-3878

CANADA
Service MILWAUKEE pour les produits CP

Milwaukee Electric Tool (Canada) Ltd.

755 Progress Avenue
Scarborough, Ontario M1H 2W7
Tel. (416) 439-4181
Fax (416) 439-6210

En outre notre réseau mondial de distributeurs est à notre disposition de la clientèle d'un océan à l'autre. Consultez les pages jaunes de l'annuaire téléphonique pour trouver l'adresse du centre le plus près de chez vous.

In addition, there is a worldwide network of distributors ready to assist you. Check your "Yellow Pages" under "Tools-Electric" for the names of those nearest you.

MEXICO
Servicios de MILWAUKEE para products de CP

Milwaukee Electric Tool

División de : Atlas Copco Mexicana S.A. de C.V.
Blvd. Abraham Lincoln no. 13
Colonia Los Reyes Zona Industrial
Tlalnepantla, Edo. México C.P. 54073
Tels. 5565-1414 5565-4720 Fax: 5565-0925

Además se cuenta con una red nacional de distribuidores y centros autorizados de servicio, listos para apoyarlo. Vea en las "Páginas Amarillas" sección "Herramientas Eléctricas".

Free Manuals Download Website

<http://myh66.com>

<http://usermanuals.us>

<http://www.somanuals.com>

<http://www.4manuals.cc>

<http://www.manual-lib.com>

<http://www.404manual.com>

<http://www.luxmanual.com>

<http://aubethermostatmanual.com>

Golf course search by state

<http://golfingnear.com>

Email search by domain

<http://emailbydomain.com>

Auto manuals search

<http://auto.somanuals.com>

TV manuals search

<http://tv.somanuals.com>