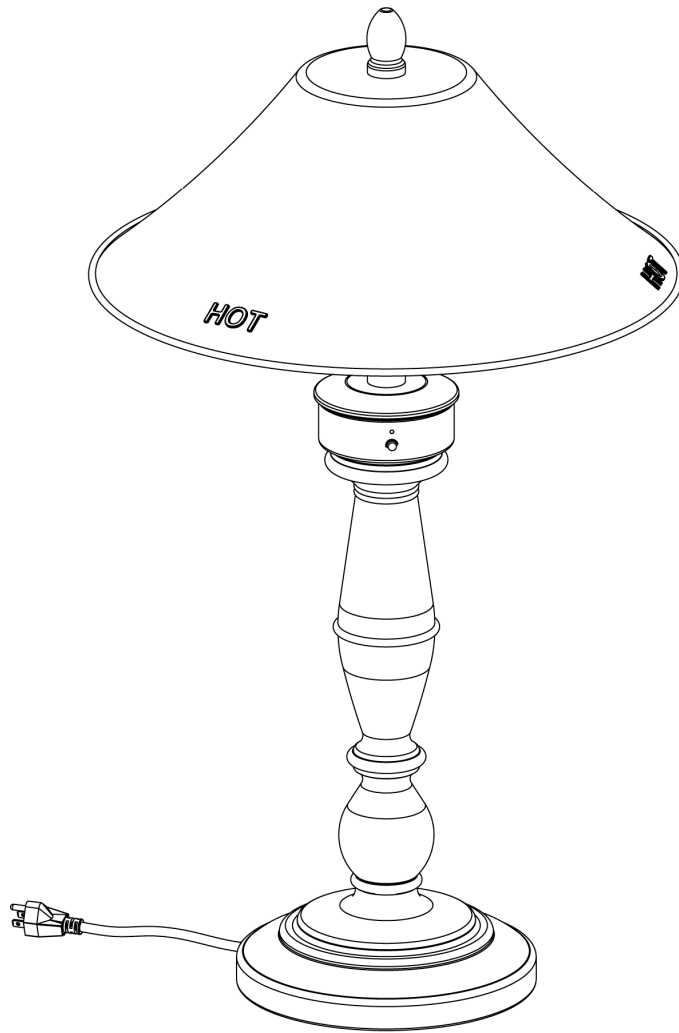


Outdoor Electric Patio Heater

Model No. EWTS8119L



 **WARNING**
FOR YOUR SAFETY:
For Outdoor Use Only

 **WARNING**
FOR YOUR SAFETY:

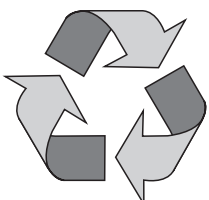
1. Improper installation, adjustment, alteration, service or maintenance can cause injury or property damage.
2. Read the installation, operation, and maintenance instructions thoroughly before installing or servicing this equipment.
3. Failure to follow these instructions could result in fire or explosion, which could cause property damage, personal injury, or death.

Danger
Do NOT use electric heater for cooking. NOT to be used in or on boats or recreational vehicles.

Table of Contents

Important Safeguards	Page 2
Exploded View & Hardware	3
Assembly Instructions	4
Operating Instructions	5
Before Turning "ON"	5
Turning "ON"	5
While Heater is "ON"	5
Turning "OFF"	5
Cleaning and Care	5
Cleaning Surfaces	5
Maintenance	5
Replacing the Fuse	5
Storage	5
Between Uses and During Periods of Extended Inactivity or When Transporting	5
Product Registration	6
Limited Warranty	6
Specifications	6
Troubleshooting	6

Save these instructions for future reference. If you are assembling this unit for someone else, give this manual to him or her to read and save for future reference.



Made from 70% Bagasse

(Environmentally Friendly Sugar Cane Pulp By-product)



Manufactured in China for:
Blue Rhino Global Sourcing, Inc.
Winston-Salem, NC USA
1.800.762.1142, www.bluerhino.com

© 2008 Blue Rhino Global Sourcing, Inc. All Rights Reserved

Endless Summer® is a Registered Trademark of Blue Rhino Global Sourcing, Inc.. All Rights Reserved.

EWTS8119L-OM-101 ES

IMPORTANT SAFEGUARDS

When using electrical appliances, basic safety precautions should always be followed including the following:

1. Read all instructions before using this heater.
2. Do not touch hot surfaces.
3. This heater is hot when in use, especially the dome. To avoid burns, do not let bare skin touch hot surfaces. Keep combustible material such as electrical cords, furniture, papers, clothes, and curtains at least 3 feet (0.9 M) away from the front of the heater and away from heater.
4. To protect against electrical shock do not immerse cord, plugs, or heating element in water or other liquids.
5. Close supervision is necessary when any appliance is used by or near children.
6. Unplug from outlet when not in use and before cleaning. Allow to cool before putting on or taking off parts.
7. Do not operate any heater with a damaged cord or plug or after the heater malfunctions, has been dropped or has been damaged in any manner. Return appliance to the nearest authorized service facility for examination, repair, or adjustment.
8. This heater is not intended for commercial use.
9. The use of accessory attachments not recommended by the appliance manufacturer may cause injuries.
10. Do not let cord touch hot surfaces, hang over edge of table or counter where it can be pulled on by children or tripped over unintentionally.
11. Do not place on or near a hot gas or electric burner, or in a heated oven.
12. Always push any control to "OFF", then remove plug from wall outlet.
13. Do not use appliance for other than intended use.
14. Use only on properly grounded outlet.
15. Do not run cord under carpeting. Do not cover cord with throw rugs, runners, or similar coverings. Arrange cord away from traffic area and where it will not be tripped over.
16. Do not insert or allow foreign objects to enter any ventilation or exhaust opening as this may cause an electric shock or fire, or damage the heater.
17. **SAVE THESE INSTRUCTIONS.**

Safety First

DANGERS and *Cautions*

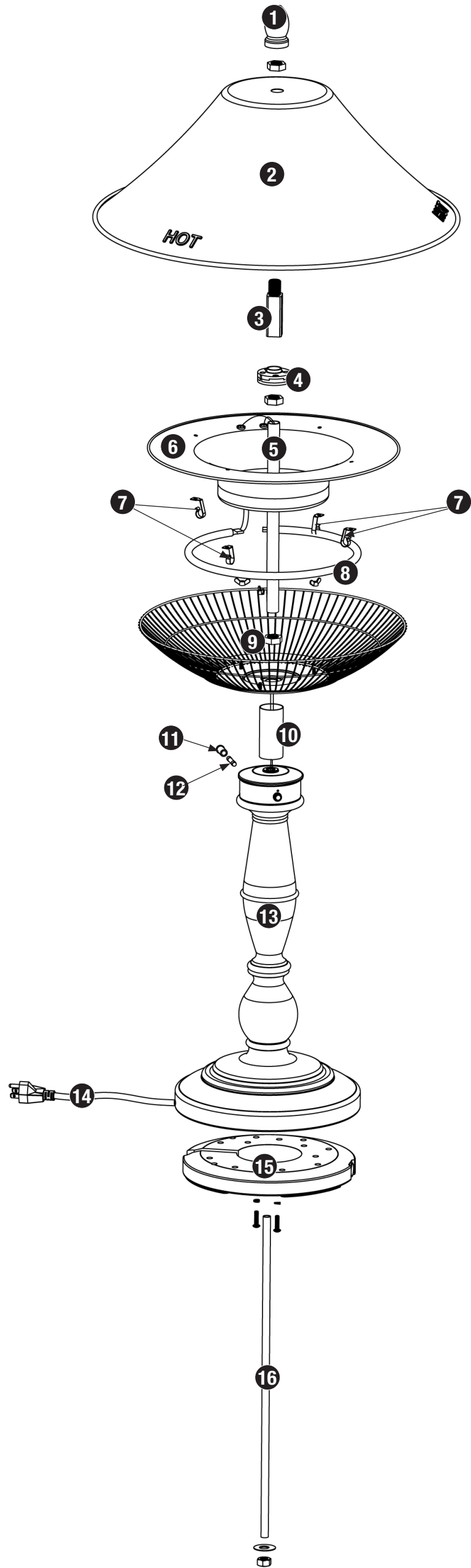
- ▲ This heater is for outdoor use only.
- ▲ This heater is NOT for commercial use.
- ▲ This is for use with electricity.
- ▲ Always unplug the heater if it is not being used.
- ▲ Do not store or use gasoline or other flammable vapors and liquids in the vicinity of this or any other appliance.
- ▲ Avoid the use of an extension cord because the extension cord may overheat and cause a risk of fire.
- ▲ Do not use 16 gauge extension cords. Damage to household wiring and/or fire could result.
- ▲ Longer detachable power-supply cords or extension cords are available and may be used if care is exercised in their use.
- ▲ If a longer detachable power-supply cord or extension cord is used,
 - a. The cord shall be no. 14 AWG minimum size and rated not less than 2,000 watts.
 - b. The marked electrical rating of the cord set or extension cord should be at least as great as the electrical rating of the appliance, and
 - c. The cord should be arranged so that it will not drape over the countertop or tabletop where it can be pulled on by children or tripped over unintentionally.
- ▲ **ELECTRIC SHOCK CAN KILL OR RESULT IN SERIOUS INJURY. TO PREVENT ELECTRICAL SHOCK:**
 - a. Use only with GFI (Ground Fault Interrupter) protected circuit.
 - b. Do not use heater when raining.
 - c. To prevent heater from being splashed or falling into water, do not use heater within 10 feet of pool, pond, or other body of water.
 - d. Keep heater and cord dry and out of rain at all times.
 - e. Do not operate heater that has a damaged cord, plug, or metal probe. Call our customer service for a replacement cord. This cord is made specifically for this heater.
 - f. Never remove grounding plug, or use with an adapter to two prongs.
 - g. Keep electric plugs off ground, and dry.
 - h. In case of fire, turn heater "OFF," unplug heater from outlet, and allow fire to burn out. Do not use water to put out a fire in this or another electrical appliance.
 - i. Do not use water or other liquid spray to clean heater without first unplugging electric cord and removing heating element.
 - j. Do NOT place the heater near a bed because objects such as pillows or blankets can fall off the bed and be ignited by the heater.
 - k. To prevent a possible fire, do not block air intakes or exhaust in any manner. Do not use on soft surfaces, like a bed, where opening may become blocked.
- ▲ The use of alcohol, or prescription or non-prescription drugs may impair the consumer's ability to properly assemble or safely operate the appliance.
- ▲ Never use lighter fluid, lava rocks, gasoline, kerosene, or alcohol with this product.
- ▲ Do not store or use gasoline or other flammable liquids or vapors within 25 feet (7.62 m) of this appliance.
- ▲ A heater has hot and arcing or sparking parts inside. Do not use in an explosive atmosphere. Keep heater area clear and free from combustible materials, gasoline and other flammable vapors and liquids.
- ▲ DO NOT use this heater near any unprotected combustible constructions.
- ▲ Do not alter this heater in any manner.
- ▲ Do not use the heater unless it is COMPLETELY assembled and all parts are securely fastened and tightened.
- ▲ This heater should be thoroughly inspected on a regular basis.
- ▲ Use only Blue Rhino Global Sourcing, Inc. factory authorized parts. The use of any part that is not factory authorized can be dangerous. This will also void your warranty.
- ▲ Do not use this appliance without reading "Operating Instructions" in this manual.
- ▲ Do not touch metal parts of heater until it has completely cooled (about 45 min.) to avoid burns, unless you are wearing protective gear (pot holders, gloves, BBQ mittens, etc.).
- ▲ Do not use in or on boats or recreational vehicles.
- ▲ Do not leave a lit heater unattended, especially keep children and pets away from heater at all times.
- ▲ Do not attempt to move heater when in use. Allow the heater to cool before moving or storing.
- ▲ Always use your heater on a hard, non-combustible level surface.
- ▲ Use extreme caution on wooden decks.
- ▲ Keep all electrical cords away from a hot heater.
- ▲ After a period of storage and/or nonuse, inspect for any abrasion, wear, cuts to the electrical cord.
- ▲ The use of accessory attachments not recommended by the appliance manufacturer may cause injuries.
- ▲ Store products indoors when not in use – out of the reach of children.
- ▲ Servicing should be done only while the heater is disconnected from the power supply.
- ▲ To ensure continued protection against electrical shock, connect only to properly grounded outlets.
- ▲ Do not immerse in water. Disconnect electric cord from outlet before cleaning, servicing and/or removing heating element. To reduce the risk of electric shock, use with GFI protected electric outlet only.
- ▲ High temperatures may be generated under certain abnormal conditions. Do not partially or fully cover or obstruct this heater.
- ▲ Please use protective gloves when assembling this product.
- ▲ Do not force parts together as this can result in personal injury or damage to the product.
- ▲ Use this heater only as described in this manual. Any other use not recommended by the manufacturer may cause fire, electrical shock, or injury to persons.
- ▲ To reduce risk of shock, keep cord connection dry.
- ▲ Product must be fully assembled before operating the heater.
- ▲ Do not clean this product with a water spray or the like.
- ▲ Deaths, serious injury or damage to property may occur if the above is not followed exactly.

Parts List

- 1 Finial*
- 2 Dome*
- 3 Dome Brace*
- 4 Plastic Insulator*
- 5 Upper Pole*
- 6 Heat Reflector*
- 7 Bulb Clip (4)*
- 8 Halogen Bulb*
- 9 Wire Guard*
- 10 Post*
- 11 Fuse Cap*
- 12 Fuse (250V, 15A)*
- 13 Lower Body Assembly*
- 14 Power Cord*
- 15 Weight Plate*
- 16 Inner Support Post

* Pre-assembled

Exploded View

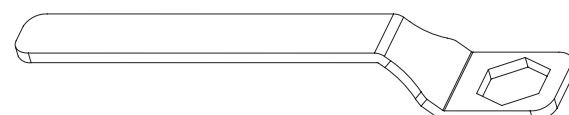


Hardware

A	Nut	M10 Nickel Plated	2 pcs
B	Washer	ø10 Nickel Plated	1 pc

Tools Required for Assembly (Included)

Wrench



Assembly Instructions

1 DO NOT RETURN PRODUCT TO STORE.

For assistance call **1.800.762.1142** toll free. Please have your owner's manual and serial number available for reference.

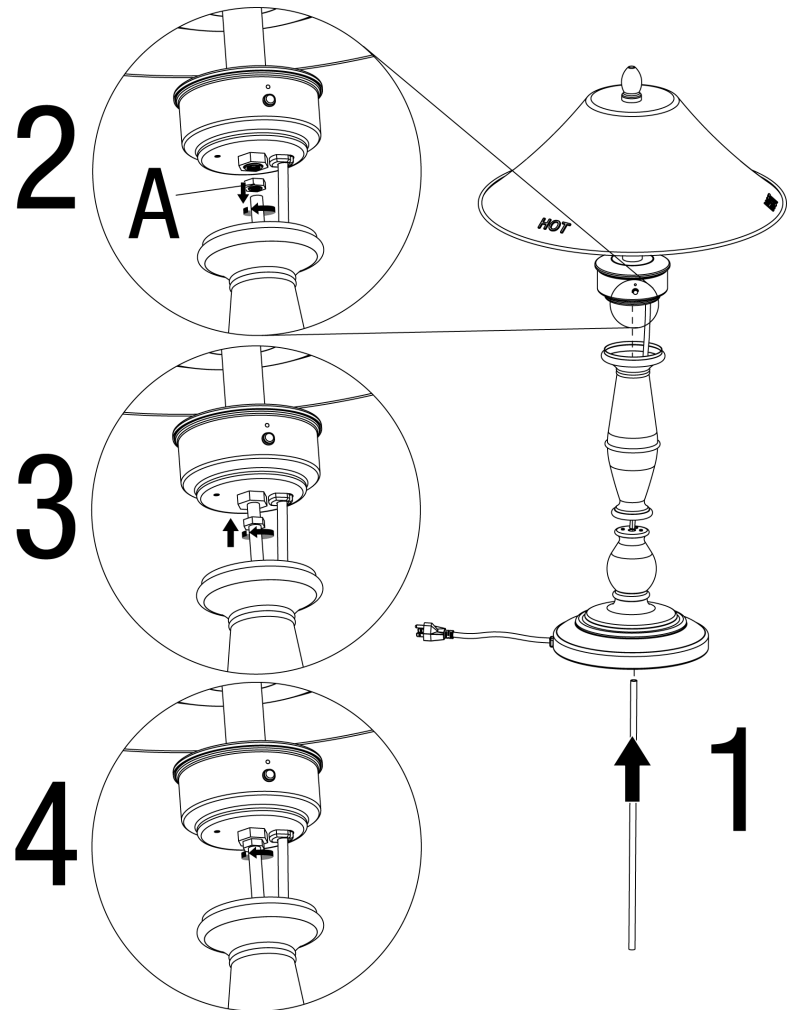
For Easiest Assembly:

- To avoid losing any small components or hardware, assemble your product on a hard level surface that does not have cracks or openings.
- Clear an area large enough to layout all components and hardware.
- When applicable, tighten all hardware connections by hand first. Once the step is completed, go back and fully tighten all hardware.
- Follow all steps in order to properly assemble your product.

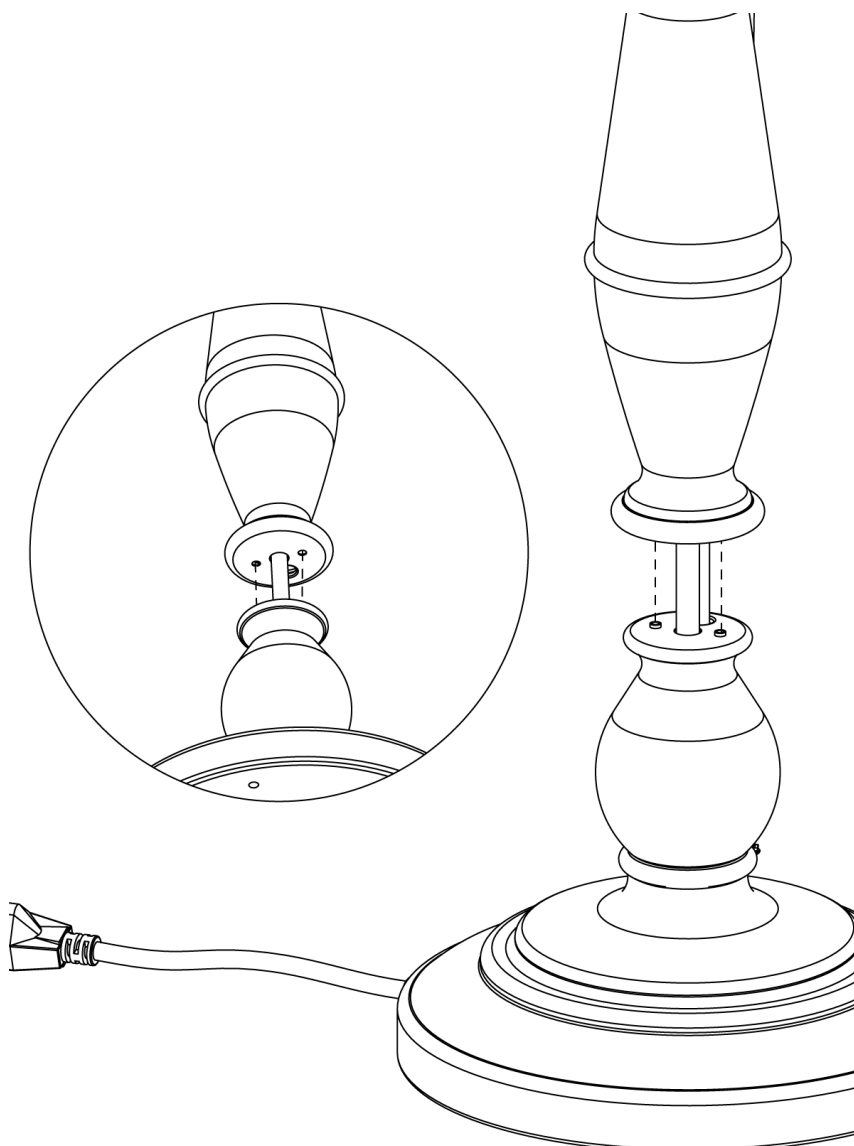
Note: Two (2) adults may be required for assembly.

2 Attach Head Assembly

Note: Use the wrench to tighten nut. Do NOT over tighten.

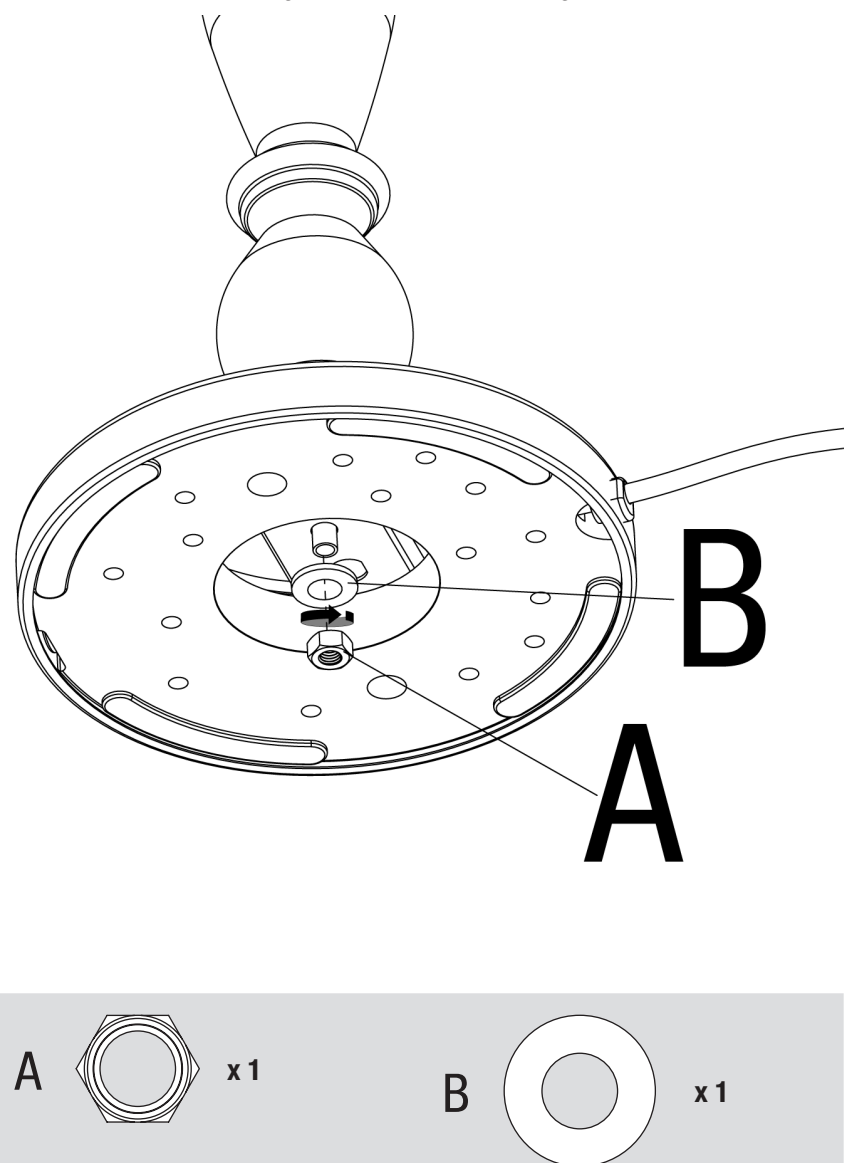


3 Attach Base



4 Secure Inner Pole

Note: Use the wrench to tighten nut. Do NOT over tighten.



Operating Instructions

NOTE: Heater functions best WITHOUT an extension cord.

If an extension cord is necessary:

- Use a UL approved, 3 prong plug (grounded) cord shall be no. 14 AWG minimum size and rated not less than 2,000 watts.
- **Never connect two or more extension cords together.**
- Use the shortest extension cord possible.
- Keep connections dry and off the ground.
- Avoid draping the electric heater cord where children or animals could encounter it.

Before Turning "ON"

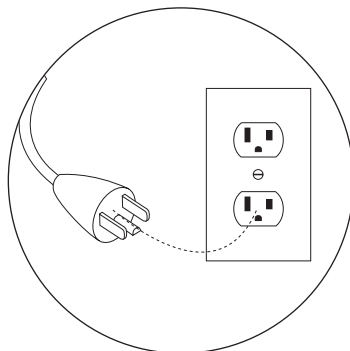
1. Make sure all labels, packaging and protective films have been removed from the heater.
2. Heater should be thoroughly inspected before each use, and by a qualified service person at least annually.

Turning "ON"

1. Plug the power cord into a dry GFI (Ground Fault Interrupter) 3 plug outlet. (Illustration 1)
2. Push the power button. (Illustration 2)
Note: The red LED light will glow while the heater is on.

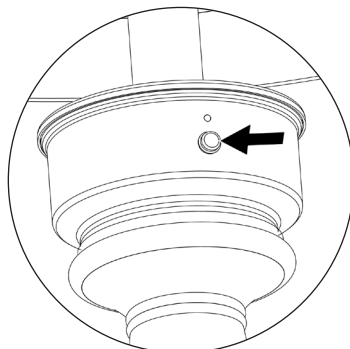
Note: When restarting the halogen bulb will start up slowly before getting to full power.

Illustration 1



Connecting the power cord to a dry GFI 3 plug outlet.

Illustration 2



Power button

While Heater is "ON"

⚠ If heater tips over, the heater will automatically turn "OFF".

If heater tips over:

1. IMMEDIATELY unplug power cord from the wall outlet.
2. Carefully turn the heater upright.

⚠ CAUTION: Dome, pole and shroud cover may be hot. Use heat resistant gloves to set heater upright.

3. Inspect heater to ensure no damage.
If no damage continue to next step.
If there is damage call a qualified technician to inspect and make any necessary repairs.

⚠ Do NOT use the heater if there is any sign of damage. A qualified technician should inspect and make any necessary repairs before the heater is used again.

4. Plug the power cord into a dry GFI (Ground Fault Interrupter) 3 plug outlet. (Illustration 1)
5. Push the power button. (Illustration 2)
Note: The red LED light will glow while the heater is on.

Note: When restarting the halogen bulb will start up slowly before getting to full power.

Turning "OFF"

1. Push the power button. (Illustration 2)
2. Unplug the power cord from the wall outlet.

Cleaning and Care

Notices

1. **Abrasive cleaners will damage this product.**
2. **Never use oven cleaner to clean any part of heater.**
3. **Do not clean any heater part in a self cleaning oven. The extreme heat will damage the finish.**
4. **Inspect heater before each use.**
5. **Have heater inspected annually and repairs should be made by a qualified service person.**
6. **Do not clean heater with combustible or corrosive cleaners. Use warm, soapy water.**
7. **Do not paint engine, engine panels or dome.**
8. **This heater should be thoroughly cleaned on a regular basis.**
9. **After a period of storage and/or non use, inspect for any abrasion, wear or cuts to the power cord.**

Cleaning and Care (continued)

Cleaning Surfaces

1. Wipe surfaces clean with mild dishwashing detergent or baking soda.
2. For stubborn surfaces use a citrus based degreaser and a nylon scrubbing brush.
3. Wipe clean with damp cloth.

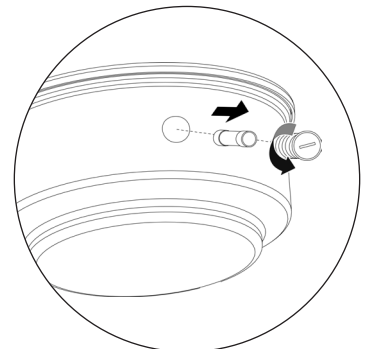
Note: While cleaning your unit, be sure to keep the area around the heating element dry at all times. Do not submerge the heating element. If the heating element is submerged in water, do NOT use it. It must be replaced.

Maintenance

To enjoy years of outstanding performance from your heater, make sure you perform the following maintenance activities on a regular basis:

1. Keep exterior surfaces clean.
2. Air flow must be unobstructed. Keep circulating air passages around the bulb clean.

Illustration 4



Remove fuse cover

Replacing the Fuse

1. Push the power button. (Illustration 2)
2. Unplug the power cord from the wall outlet.
3. Using a screwdriver, remove the fuse cover. (Illustration 4)
4. Carefully remove the old fuse, and replace with the new fuse. (Illustration 5)

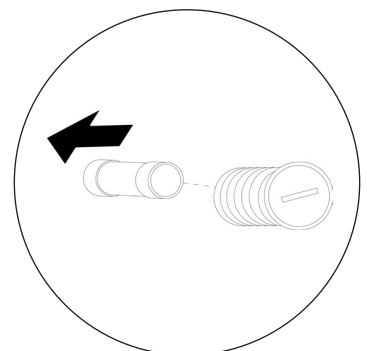
Note: ONLY replace the old fuse with a 250V 15A fuse.

5. Reattach the fuse cover.

Note: Do not over tighten

6. Follow the Turning "ON" instructions or the Storage Instructions.

Illustration 5



Remove old fuse

Storage

Between Uses and During Periods of Extended Inactivity or When Transporting:

1. Push the power button. (Illustration 2)
2. Unplug the power cord from the wall outlet.
3. Store heater upright in an area sheltered from direct contact with inclement weather (such as rain, sleet, hail, snow, dust and debris).
4. If desired, cover heater to protect exterior surfaces and to help prevent build up in air passages.

⚠ Wait until heater is cool before covering.

Product Registration

For faster warranty service, please register your product immediately at www.bluerhino.com or call 1.800.762.1142.

Limited Warranty

Blue Rhino Global Sourcing, Inc (“Vendor”) warrants to the original retail purchaser of this product, and to no other person, that if this product is assembled and operated in accordance with the printed instructions accompanying it, then for a period of one (1) year from the date of purchase, all parts in such product shall be free from defects in material and workmanship. Vendor may require reasonable proof of your date of purchase. Therefore, you should retain your sales slip or invoice. This Limited Warranty shall be limited to the repair or replacement of parts, which prove defective under normal use and service and which Vendor shall determine in its reasonable discretion upon examination to be defective. Before returning any parts, you should contact Vendor’s Customer Service Department using the contact information listed below. If Vendor confirms, after examination, a defect covered by this Limited Warranty in any returned part, and if Vendor approves the claim, Vendor will replace such defective part without charge. If you return defective parts, transportation charges must be prepaid by you. Vendor will return replacement parts to the original retail purchaser, freight or postage prepaid.

This Limited Warranty does not cover any failures or operating difficulties due to accident, abuse, misuse, alteration, misapplication, improper installation or improper maintenance or service by you or any third party, or failure to perform normal and routine maintenance on the product as set out in this owner’s manual. In addition, the Limited Warranty does not cover damage to the finish, such as scratches, dents, discoloration, rust or other weather damage, after purchase.

This Limited Warranty is in lieu of all other express warranties. Vendor disclaims all warranties for products that are purchased from sellers other than authorized retailers or distributors, including the warranty of merchantability or the warranty of fitness for a particular purpose. **VENDOR ALSO DISCLAIMS AND ANY ALL IMPLIED WARRANTIES, INCLUDING WITHOUT LIMITATION THE IMPLIED WARRANTIES OF MERCHANTABILITY AND FITNESS FOR A PARTICULAR PURPOSE. VENDOR SHALL HAVE NO LIABILITY TO PURCHASER OR ANY THIRD PARTY FOR ANY SPECIAL, INDIRECT, PUNITIVE, INCIDENTAL, OR CONSEQUENTIAL DAMAGES.** Vendor further disclaims any implied or express warranty of, and assumes no responsibility for, defects in workmanship caused by third parties.

This Limited Warranty gives the purchaser specific legal rights; a purchaser may have other rights depending upon where he or she lives. Some jurisdictions do not allow the exclusion or limitation of special, incidental or consequential damages, or limitations on how long a warranty lasts, so the above exclusion and limitations may not apply to everyone.

Vendor does not authorize any person or company to assume for it any other obligation or liability in connection with the sale, installation, use, removal, return, or replacement of its equipment, and no such representations are binding on Vendor.

Blue Rhino Global Sourcing, Inc.
Winston-Salem, North Carolina USA
(800) 762-1142

Specifications

Certifications:

CSA International Requirement 22.2 No. 46-M1988
UL 1278

Fuel:

Electric

Power:

Maximum 1,200 Watts

Voltage:

120V AC

Frequency:

60 Hz

Net Weight:

16 lbs / 6 Kgs

Unit Dimensions:

19.7 in L x 19.7 in W x 33.5 in H / 50 cm x 50 cm x 85 cm

Manufacturer:

Blue Rhino Global Sourcing, Inc

Made In:

China

Troubleshooting

Problem	Possible Cause	Prevention/Cure
Unit will not operate	Not plugged in	Plug cord into grounded outlet
	Fuse is blown	Replace fuse
	Loose wiring	Call Customer Care Center
	Reset Button is not activated	Press restoration button
	Bulb is worn out	Contact Customer Care at 1.800.762.1142 for new bulb and replacement instructions.

If problems can not be corrected by using these methods, please contact 1.800.762.1142 for assistance.

Registro del producto

Para beneficiar del servicio de garantía más rápidamente, sírvase registrar su unidad inmediatamente visitando nuestro sitio Internet www.bluerhino.com o llamando al 1.800.762.1142.

Garantía limitada

Blue Rhino Sourcing, Inc ("el fabricante") garantiza al comprador original, al detal, de este producto, y a ninguna otra persona, que si la unidad se arma y opera de acuerdo con las instrucciones impresas que la acompañan y por un período de un (1) año a partir de la fecha de compra, todas las piezas de este producto estarán libres de defectos en material y mano de obra. El fabricante podrá requerir prueba razonable de la fecha de compra. Por lo tanto, usted debe conservar el recibo de venta o la factura. Esta garantía limitada estará limitada a la reparación o reemplazo de las piezas que resulten defectuosas en condiciones de servicio y uso normal y las que un examen indige, a satisfacción del fabricante, que están defectuosas. Antes de devolver cualquier pieza, comuníquese con el Departamento de Servicio al Cliente (Customer Service Department) del fabricante. Si el fabricante confirma el defecto y aprueba el reclamo, el fabricante decidirá reemplazar tales partes sin costo alguno. Si se le pide que devuelva las partes defectuosas, los costos de transporte deberán ser prepagados. El fabricante devolverá las partes al cliente con costo de transporte o envío prepagados.

Esta garantía limitada no cubre fallas o dificultades de operación debidas a accidente, abuso, mal uso, alteración, empleo en usos inapropiados, instalación defectuosa o mantenimiento o servicio inapropiado o falla en la realización de mantenimiento normal y rutinario como se prescribe en este manual del usuario.

Además, la garantía limitada no cubre daños al terminado de la unidad, tales como rasguños, abolladuras, descoloridos, oxidaciones y otros daños causados por la intemperie después de la compra de la unidad.

Esta garantía limitada reemplaza cualquier otra garantía. El fabricante no asume ninguna responsabilidad por garantías de productos vendidos por quienes no sean distribuidores o vendedores al detal autorizados. Esta exención de responsabilidad incluye cualquier garantía de comerciabilidad o la garantía de aptitud para un propósito en particular. EL FABRICANTE NO SE HACE RESPONSABLE POR NINGUNA GARANTIA IMPLICITA INCLUYENDO, SIN LIMITACIONES, LAS GARANTIAS IMPLICITAS DE COMERCIABILIDAD Y ADAPTABILIDAD A UN PROPOSITO PARTICULAR. EL FABRICANTE NO ASUME RESPONSABILIDAD ANTE EL COMPRADOR O ANTE CUALQUIER TERCERA PERSONA POR DAÑOS ESPECIALES, INDIRECTOS, PUNITIVOS, INCIDENTALS O CONSECUENCIALES. El fabricante, además, no asume responsabilidad por garantías implícitas o expresas por defectos de mano de obra causados por terceras personas. Esta garantía limitada le da al comprador derechos legales específicos y el comprador puede tener otros derechos según el lugar donde el comprador o la compradora residan. Ciertas jurisdicciones no permiten limitaciones en cuanto a la duración de una garantía implícita, de manera que esta limitación puede no ser aplicable a usted.

El fabricante no autoriza a ninguna persona o compañía para asumir por el fabricante cualquier otra obligación a responsabilidad relacionada con la venta, instalación, uso, remoción, devolución o reemplazo de este equipo y cualquier representación de esta naturaleza no obliga al fabricante.

Blue Rhino Sourcing, Inc
Winston-Salem, North Carolina 27104, EE.UU.
(800)-762-1142

Resolución de problemas

Problema	Causa posible	Prevención/medida correctiva
La unidad no funciona	Unidad no enchufada. Fusible quemado. Alambrado desconectado. Botón de recuperación de graduación inicial no ha sido activado. La bombilla se ha quemado.	Enchufe el cable de alimentación en el receptáculo con conexión a tierra. Reemplace el fusible. Llame al Centro de Atención al Cliente. Presione el botón de restauración. Llame al Centro de Atención al Cliente al 1.800.762.1142 para obtener una nueva bombilla e instrucciones para reemplazarla.
Para ayuda más detallada, sírvase visitar en www.bluerhino.com o llamarnos al 1.800.762.1142 para ayudarlo inmediatamente.		

Especificaciones

Certificaciones: Requerimiento 22.2 No. 46-M1988

UL 1278

Combustible: Corriente eléctrica

Potencia: 1,200 vatios máximo

Voltaje: 120V CA

Frecuencia: 60 Hz

Peso neto: 16 libras / 6 kg

Dimensiones de la unidad: 19,7 pulgadas de largo x 19,7 pulgadas de ancho x 33,5 pulgadas de alto / 50 cm x 50 cm x 85 cm

Fabricante: Blue Rhino Global Sourcing, Inc

Fabricado en: China

Instrucciones de operación

NOTA: El calentador funciona mejor SIN cables de extensión. Si es necesario usar un cable de extensión:

- Use un enchufe de 3 clavijas clasificado por UL (con conexión a tierra). El cable debe ser de calibre núm. 14 AWG como mínimo y tener clasificación para 2,000 vatios mínimo.
- Nunca conecte, uno a otro, dos o más cables de extensión.
- Use la extensión más corta posible.
- Mantenga las conexiones secas y sin tocar el piso.
- Evite colocar el cable del calentador donde los niños o animales puedan accidentalmente halarlo.

Antes de encender la unidad (ON)

1. Verifique que todos los empaques, etiquetas y envolturas de protección han sido removidos del calentador.
2. El calentador debe inspeccionarse minuciosamente antes de cada uso y por un especialista en servicio calificado por lo menos una vez al año.

Encendido - "ON"

1. Enchufe el cable de alimentación de corriente en el receptáculo de 3 aletas del tipo GFI (interruptor de conducto a tierra), (vea la ilustración 1).
3. Presione el botón del interruptor (vea la ilustración 2).

Nota: Cuando la lámpara halógena se vuelva a encender comenzará a encender lentamente antes de llegar a su potencia total.

Cuando el calentador está encendido (ON)

- ▲ **Cuando el calentador está encendido (ON), si el calentador se voltea, la unidad se apaga (OFF) automáticamente.**

Si el calentador se voltea:

1. **IMEDIATAMENTE** desenchufe el cable de alimentación, del receptáculo de pared.
2. Cuidadosamente vuelva a colocar el calentador en su posición vertical.

- ▲ **PRECAUCION:** La cúpula, el poste, la gualdera y la cubierta de la gualdera pueden estar calientes. **Use guantes resistentes al calor para volver a colocar el calentador en posición vertical.**

3. Inspeccione el calentador para verificar que no ha sufrido ningún daño. Si no observa ningún daño, continúe con el siguiente paso. Si la unidad se ha dañado, llame a un técnico calificado para que examine la unidad y haga las reparaciones que sean necesarias.

- ▲ **NO use el calentador si muestra cualquier signo de daño. Un técnico calificado deberá inspeccionar la unidad y hacer cualquier reparación que sea necesaria antes de volver a usar la unidad.**

4. Enchufe el cable de alimentación de corriente en el receptáculo de 3 aletas del tipo GFI (interruptor de conducto a tierra) (vea la ilustración 1).
5. Presione en botón del interruptor (ilustración 2).

Nota: La luz DEL quedará encendida cuando el calentador esté funcionando.

Nota: Cuando la bombilla halógena se vuelva a encender comenzará a encender lentamente antes de llegar a su potencia total.

Apagado

1. Presione en botón del interruptor (ilustración 2).
2. Desenchufe el cable de alimentación del receptáculo eléctrico.

Limpieza y cuidado

Avisos

1. No use productos de limpieza abrasivos pues dañarán este aparato.
2. No utilice nunca productos limpiadores para limpiar cualquier pieza del calentador.
4. Inspeccione el calentador cada vez que vaya a usarlo.
5. Pida que una persona calificada para dar servicio a la unidad examine cuidadosamente el calentador anualmente y haga las reparaciones que considere necesarias.
6. No limpie el calentador con limpiadores corrosivos o combustibles. Use agua tibia con jabón.
7. No pinte el motor, los paneles del motor o la cúpula.
8. Este calentador debe limpiarse completamente a intervalos regulares.
9. Después de que la unidad ha estado almacenada o sin usar por un cierto tiempo, examínela para detectar signos de abrasión, desgaste o cortes en el cable de alimentación.

Limpieza de las superficies

1. Limpie las superficies con un detergente suave de lavado de platos o con soda de hornear.
2. En superficies de limpieza difícil, use un desengrasador a base de cítricos y un cepillo de nylon.
3. Enjuague las superficies con agua limpia.

Nota: Cuando limpie la unidad, asegúrese de mantener seca en todo momento el área alrededor del elemento de calefacción. No sumerja el elemento de calefacción. Si el elemento cae al agua, NO lo use. Debe ser reemplazado.

Mantenimiento

Para gozar por años de un rendimiento excepcional de su calentador, verifique que usted realiza con regularidad las siguientes operaciones de mantenimiento:

1. Mantenga limpias las superficies exteriores.
2. Mantenga libres de obstrucciones las aberturas de ventilación. Mantenga limpios y libre de obstrucciones los pasajes de aire alrededor de la bombilla.

Reemplazo del fusible

1. Presione en botón del interruptor (ilustración 2).
2. Desenchufe del receptáculo de pared el cable de alimentación.

3. Con un destornillador remueva la cubierta del fusible (vea la ilustración 4).
 4. Cuidadosamente remueva el fusible usado y reemplácelo con un nuevo fusible (vea la ilustración 5).
 5. Vuelva a colocar la cubierta de fusible.
- Nota:* No la apriete demasiado.
6. Siga las instrucciones de encendido para operar la unidad o las de almacenamiento para guardarla.

Nota: El fusible de reemplazo debe ser ÚNICAMENTE de 250 Voltios y 20 Amperios.

Almacenamiento

Entre uso y durante períodos largos de inactividad o para su transporte:

1. Presione en botón del interruptor (ilustración 2).
2. Desconecte el cable eléctrico.
3. Almacene el calentador de pie en una zona protegida del contacto directo con las inclemencias atmosféricas (como la lluvia, el aguanieve, el granizo, el polvo y la suciedad).
4. Si lo desea, cubra el calentador para proteger las superficies exteriores y ayudar a evitar las obstrucciones en los conductos de aire.

- ▲ **Esperere hasta que el calentador esté frío antes de cubrirlo.**

1 NO DEVUELVA EL PRODUCTO AL LUGAR DE COMPRA

Si necesita ayuda llame, sin cargo, al 1.800.762.1142. Por favor tenga a mano su manual y el número del modelo, para referencia.

Para facilitar el armado:

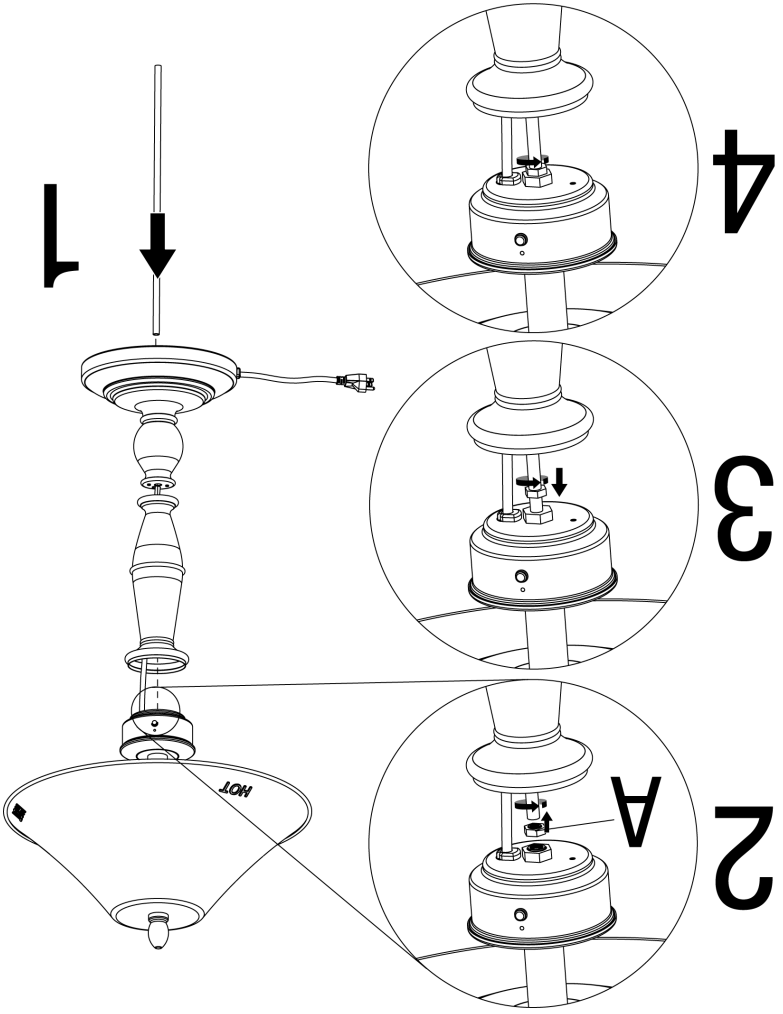
- Evite la pérdida de componentes pequeños o elementos de ferretería, armando el producto en un lugar de piso plano sin aberturas ni hendiduras.

- Despeje un área suficientemente grande para disponer todos los componentes y los elementos de ferretería.
- Cuando sea del caso, apriete a mano, en un principio, las conexiones de ferretería. Una vez que ha terminado el paso, apriete completamente todos los elementos de ferretería.
- Siga todos los pasos en el orden indicado para armar debidamente esta unidad.

Nota: Se recomienda armar el producto entre (2) adultos

1

2



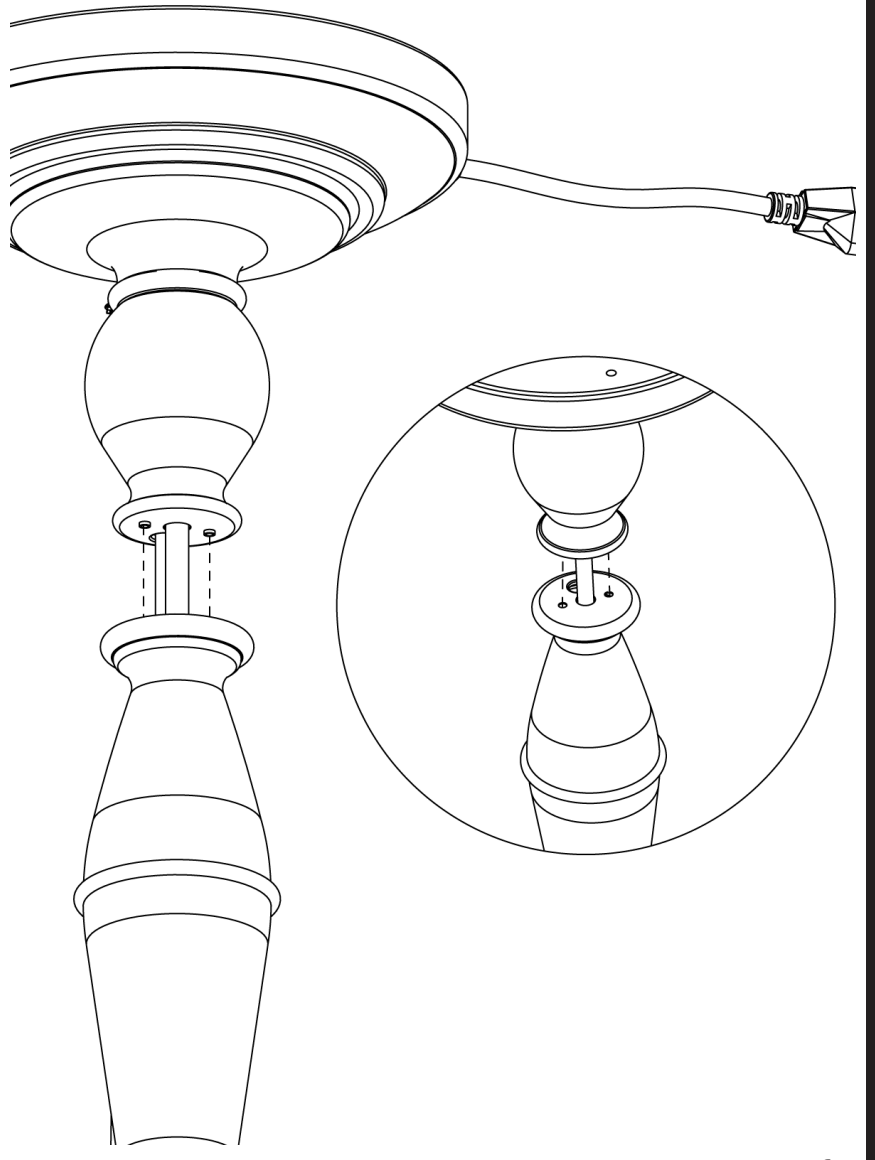
Conecte el conjunto de cabeza
 Nota: Utilice la llave inglesa para apretar la tuerca. No la apriete demasiado.



4

3

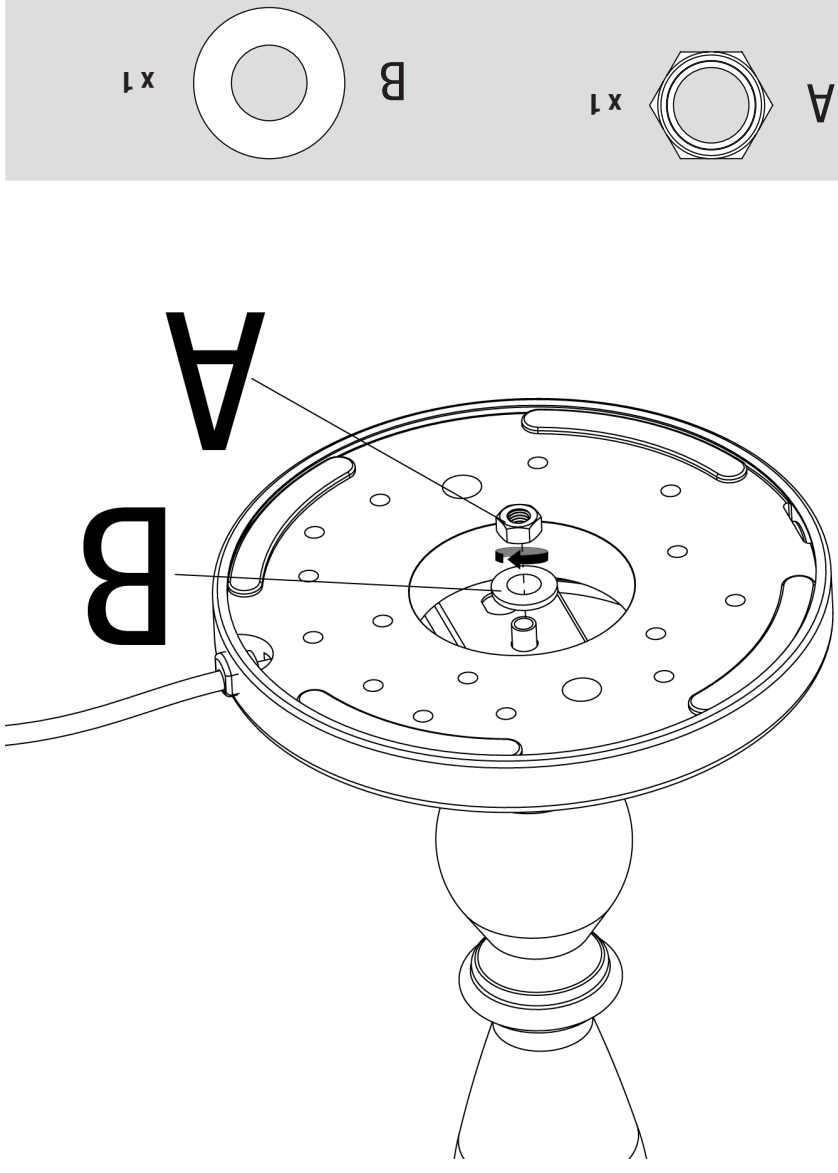
2



Fije la base

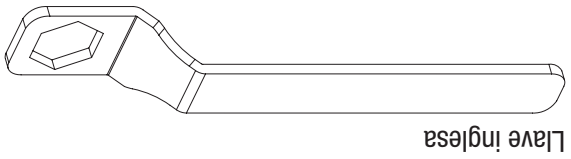
3

4



Asegure el poste interior
 Nota: Utilice la llave inglesa para apretar la tuerca.





Llave inglesa

Herramientas necesarias para el armado (incluidas)

Elementos de ferretería

A	Tuerca	Niquelada, M10	2 pzs
B	Arandela	Niquelada, Ø10	1 pz

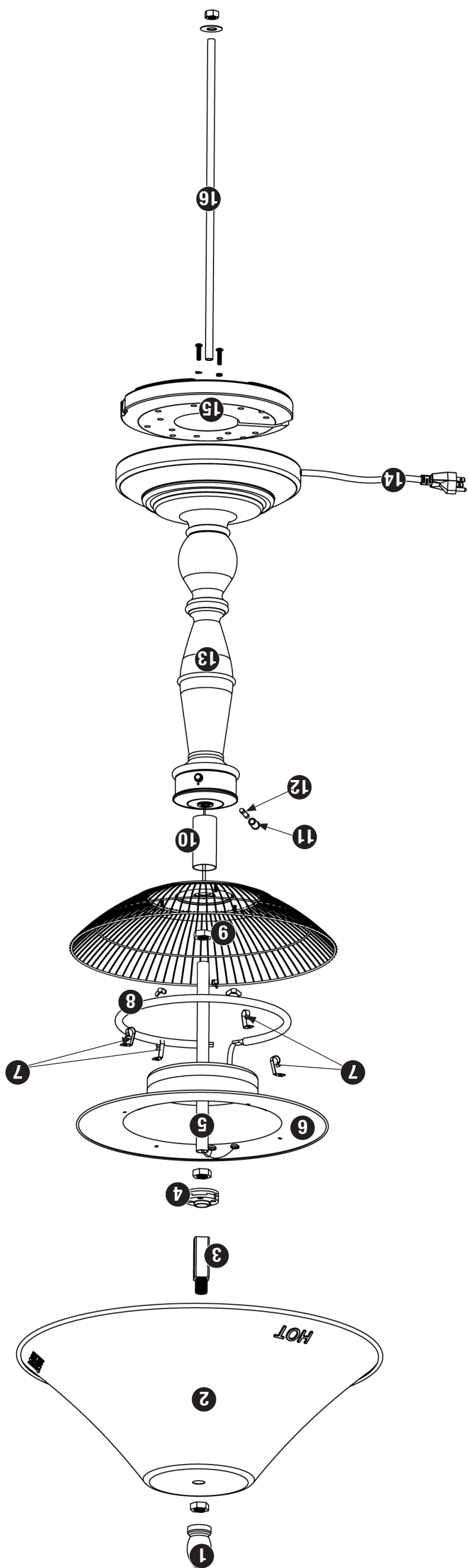


Diagrama de explosión

Lista de piezas

1	Florón*
2	Cúpula*
3	SopORTE de la cúpula*
4	Aislador de plástico*
5	Poste superior*
6	Reflector de calor*
7	Gancho de la bombilla (4)*
8	Bombilla halógena*
9	Protección de alambre*
10	Poste*
11	Tapa de fusible*
12	Fusible (250 voltios y 15 amperios)*
13	Cuerpo inferior*
14	Cable de alimentación*
15	Placa de contrapeso*
16	Poste de soporte interior

* Viene ensamblado

- Al utilizar aparatos eléctricos, siempre se deberían seguir simples precauciones de seguridad, que incluyan lo siguiente:
1. Lea todas las instrucciones.
 2. No toque las superficies calientes.
 3. Este calentador, cuando se usa, se calienta especialmente en la cúpula. Para evitar quemaduras, no toque las superficies calientes sin adecuada protección para la piel. Mantenga materias combustibles y artículos tales como cables eléctricos, muebles, papeles, ropas, y cortinas a una distancia de por los menos 90 cm del frente del calentador y alejados de sus costados y superficie de atrás.
 4. Para protegerse de choques eléctricos, no sumerja el cable de conexión, los enchufes o elemento de calentamiento en agua o en cualquier otro líquido.
 5. Es necesario tener extremo cuidado al utilizar cualquier aparato cerca de los niños o al dejarles utilizarlo.
 6. Desenchufe el aparato del receptáculo eléctrico cuando no se utilice y antes de proceder con su limpieza. Deje que se enfríe antes de colocar o retirar piezas y antes de limpiar la unidad.
 7. No haga funcionar esta unidad con el cable de conexión o el enchufe dañados o después de que el mismo haya presentado un malfuncionamiento o haya sido dañado. Reclame en el centro de servicio autorizado para revisar, reparar o ajustar su unidad.

PRECAUCIONES IMPORTANTES

8. El calentador no ha sido diseñado para usos comerciales.
 9. El uso de accesorios no recomendados por el fabricante del aparato, puede ocasionar graves lesiones.
 10. No permita que el cable de conexión sobresalga el borde de la mesa o el mostrador o que toque superficies calientes.
 11. No colocar en o cerca de quemadores a gas o eléctricos o en un horno caliente.
 12. Siempre presione cualquier control a "OFF" (apagado) y, luego, desenchufe la unidad del receptáculo de pared.
 13. No utilice esta unidad para otros usos que no sean los especificados.
 14. Use este aparato únicamente con receptáculo eléctrico con conexión a tierra.
 15. No pase el cable por debajo de una alfombra. No cubra el cable con alfombras pequeñas, tapetes de pasillo, o cubiertas similares. Coloque el cable alejado de áreas de tránsito de personas y donde no cree obstáculos o riesgos de enredar
 16. No introduzca o permita que objetos extraños entren por las aberturas de entrada o salida de la ventilación, pues esto puede causar choque eléctrico, originar un incendio o dañar el calentador.
- ### 17. GUARDE ESTAS INSTRUCCIONES.

La seguridad primero

PELIGROS y Precauciones

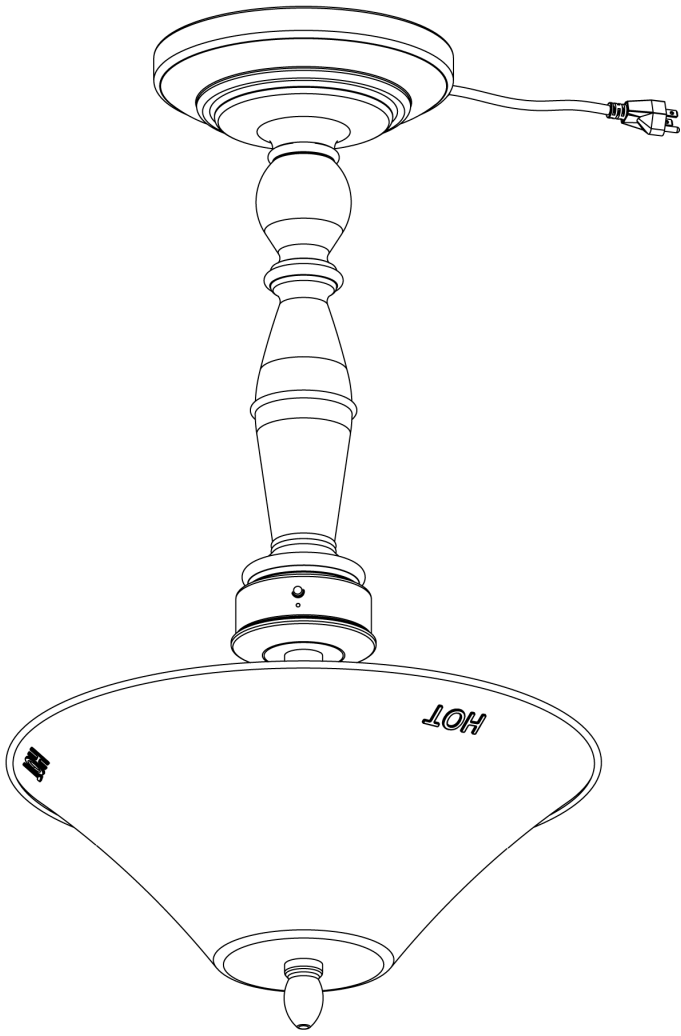
- ▲ Este calentador es para ser usado al aire libre únicamente.
- ▲ El calentador NO ha sido diseñado para usos comerciales.
- ▲ Este calentador debe ser usado con corriente eléctrica únicamente
- ▲ Siempre desenchufe el calentador cuando no lo esté usando.
- ▲ No guarde o use gasolina u otros líquidos o vapores inflamables cerca de esta unidad o de cualquier otro aparato.
- ▲ Evite usar cables de extensión, puesto que un cable de extensión puede recalentarse y causar un riesgo de incendio.
- ▲ No use cables de extensión de calibre 16. Estos pueden causar daños a la instalación eléctrica de la casa y hasta producir incendios.
- ▲ Existen cables largos de suministro de corriente desconectables o cables de extensión que pueden usarse si se ejerce cuidado en la forma de emplearlos.
- ▲ Si va a usar un cable desconectable de suministro de corriente, o si se usa un cable de extensión, observe las siguientes precauciones:
 - a. El cable debe ser de por lo menos Número 14 AWG y debe estar clasificado para corrientes de por lo menos de 2,000 vatios.
 - b. La clasificación eléctrica marcada en el cable o en el cable de extensión debe ser por lo menos de la magnitud de la clasificación eléctrica de la unidad, y
 - c. El cable debe estar dispuesto de manera que no cuelgue por sobre una mesa o un estante donde un niño pueda halarlo o, sin intención, entredarse en el cable.
- ▲ EL CHOQUE ELECTRICO PUEDE PRODUCIR LA MUERTE U OCASIONAR UNA GRAVE LESION. PARA EVITAR EL CHOQUE ELECTRICO:
 - a. Use la unidad únicamente con circuito protegido con interruptor para falla de conexión a tierra (GFI).
 - b. No use este calentador cuando esté lloviendo.
 - c. Para evitar que el calentador se salpique de agua o caiga en el agua, no use el calentador a menos de 10 pies (3 metros) de una piscina, estanque o cualquier otra masa de agua.
 - d. Mantenga el calentador y el cable secos y protegidos de la lluvia en todo momento.
 - e. No opere el calentador con el cable, el enchufe o la sonda de metal dañados. Llame a nuestro servicio al cliente para reemplazar el controlador. Este controlador ha sido hecho específicamente para este calentador.
 - f. Nunca remueva del enchufe la clavija de conexión a tierra ni use un adaptador con solo dos clavijas.
 - g. Mantenga los enchufes eléctricos secos y sin tocar el piso.
 - h. En caso de incendio en el calentador, ponga el control del calentador en la posición "OFF" (apagado) y desenchufe el calentador del receptáculo y deje que el incendio se extinga. No use agua para apagar el incendio en esta, o en cualquier otra, unidad eléctrica.
 - i. No use agua o rocíe cualquier otro líquido para limpiar el calentador sin antes haber desenchufado el cable eléctrico y removido de la unidad el elemento de calefacción.
 - ¡ No coloque el calentador cerca de una cama, pues objetos tales como almohadas o cobijas pueden caer de la cama y encenderse al entrar en contacto con el calentador.
 - k. Para evitar la posibilidad de un incendio, no bloquee las aberturas de entrada y salida de la ventilación, de ninguna manera. No use el calentador sobre superficies suaves tales como una cama, en las que las aberturas de ventilación puedan bloquearse.
 - ▲ El uso de bebidas alcohólicas, medicamentos o drogas de farmacia puede afectar la habilidad del usuario para armar debidamente u operar en forma segura este aparato.
 - ▲ No use nunca líquido para encendedor, rocas de lava, gasolina, queroseno o alcohol con este aparato.
 - ▲ No guarde o use gasolina u otros líquidos o vapores inflamables a menos de 25 pies (7,62 m) de esta unidad.

- ▲ Un calentador tiene partes calientes y de arco o chispa eléctrica en el interior. No lo use en una atmósfera explosiva. Mantenga la zona del calentador libre de materiales combustibles, gasolina y cualquier otro vapor o líquido inflamable.
- ▲ NO USE este calentador cerca de cualquier construcción combustible que no tenga protección contra la combustión.
- ▲ No altere el calentador de ninguna forma.
- ▲ No utilice el calentador a menos que esté COMPLETAMENTE montada y que todas las piezas estén bien fijadas y apretadas.
- ▲ Este calentador debe limpiarse y verificarse completamente de manera regular.
- ▲ Use únicamente piezas autorizadas de fábrica de Blue Rhino Global Sourcing, Inc. El uso de cualquier pieza no autorizada de fábrica puede ser peligroso. Su uso invalida su garantía.
- ▲ No encienda esta unidad sin haber leído las instrucciones de "Encendido" que se encuentran en este manual.
- ▲ No toque las piezas de metal del calentador hasta que no se haya entrado completamente (alrededor de 45 minutos) para evitar quemaduras, a menos que usted tenga puestos elementos de protección tales como guantes o almohadilla para las ollas, guantes de barbacoa, etc.
- ▲ NO instale o utilice el calentador en embarcaciones o vehículos de recreo.
- ▲ No deje un calentador encendido sin vigilancia, especialmente, durante el tiempo de ocio.
- ▲ No intente mover el calentador mientras esté encendido. Deje que el calentador se enfríe antes de moverlo o guardarlo.
- ▲ Coloque siempre el calentador sobre una superficie firme, nivelada y no combustible.
- ▲ Use precaución extrema cuando use la unidad en plataformas de madera.
- ▲ Mantenga todos los cables eléctricos lejos de un calentador caliente. Después de un periodo de almacenamiento o un tiempo en el cual la unidad ha dejado de usarse, inspecciónela para detectar cualquier abrasión, desgaste o cortes en el cable eléctrico.
- ▲ El uso de accesorios no recomendados por el fabricante de la unidad puede ocasionar lesiones.
- ▲ Guarde la unidad en recinto cubierto cuando no esté usándola y fuera del alcance de los niños.
- ▲ El servicio de la unidad debe realizarse únicamente cuando el calentador esté desconectado de la fuente de energía.
- ▲ Para asegurar una protección constante contra el choque eléctrico, enchufe la unidad únicamente en receptáculos adecuadamente conectados a tierra.
- ▲ No sumerja la unidad en agua. Desconecte el cable eléctrico del receptáculo antes de limpiar, dar servicio o remover el elemento de calefacción. Para reducir el riesgo de choque eléctrico, use únicamente receptáculos eléctricos de 3 aletas del tipo GFI – Ground Fault Interruptor – de conducto a tierra.
- ▲ En ciertas condiciones anormales pueden generarse altas temperaturas. No cubra total o parcialmente este calentador ni obstuya su circulación de aire.
- ▲ Sirvase usar guantes de protección cuando esté armando este producto.
- ▲ No trate de forzar las partes de esta unidad, pues esto puede causar lesiones personales o dañar el producto.
- ▲ Use este calentador únicamente en la forma que se describe en este manual. Cualquier uso que no esté recomendado por el fabricante puede ser causa de un incendio, choque eléctrico o lesiones personales
- ▲ El no seguir exactamente las instrucciones dadas arriba puede producir daños a la propiedad, lesiones serias y hasta fatales



Calentador eléctrico para patio

Modelo no. EWT8119L



ADVERTENCIA
PARA SU SEGURIDAD:
Solamente para uso en exteriores



1. Una instalación, ajuste, alteración, reparación o mantenimiento inadecuados pueden causar lesiones o daños a la propiedad.

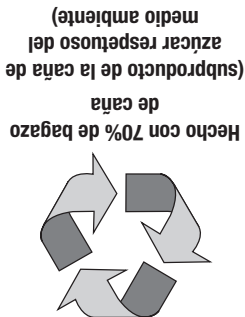
2. Lea atentamente las instrucciones de instalación, funcionamiento y mantenimiento del equipo antes de instalarlo, ponerlo en marcha o darle servicio.

3. El no seguir estas instrucciones puede ocasionar un incendio o una explosión, con sus consecuentes daños a la propiedad, lesiones personales y hasta accidentes fatales.



ADVERTENCIA
PARA SU SEGURIDAD:

Peligro
No use el calentador eléctrico para cocinar en un interior o calentar un ambiente. NO debe usarse en o dentro de una embarcación o un vehículo de recreo.



Fabricado en China para:
Blue Rhino Global Sourcing, Inc
Winston-Salem, NC EE.UU.
1.800.762.1142, www.bluerhino.com

© 2008 Blue Rhino Global Sourcing, Inc. Todos los derechos reservados.
Uniflame® es una marca registrada de Blue Rhino Global Sourcing, Inc. Todos los derechos reservados.

EWT8119L-OM-101 ES

Page 2

Salvaguardias importantes

Diagrama de explosión y elementos de ferretería 3

Instrucciones de armado 4

Instrucciones de operación 5

Antes de encender la unidad (ON) 5

Encendido 5

Cuando el calentador está encendido (ON) 5

Apagar la unidad (OFF) 5

Limpieza y cuidado 5

Limpieza de las superficies 5

Mantenimiento 5

Reemplazo del fusible 5

Almacenamiento 5

Entre uso y uso y durante periodos largos de inactividad o para su transporte 5

Registro del producto 6

Garantía limitada 6

Especificaciones 6

Resolución de problemas 6

Conserve estas instrucciones para futuras consultas. Si está montando esta unidad para otra persona, entreguele este manual para futuras consultas.

Índice

Free Manuals Download Website

<http://myh66.com>

<http://usermanuals.us>

<http://www.somanuals.com>

<http://www.4manuals.cc>

<http://www.manual-lib.com>

<http://www.404manual.com>

<http://www.luxmanual.com>

<http://aubethermostatmanual.com>

Golf course search by state

<http://golfingnear.com>

Email search by domain

<http://emailbydomain.com>

Auto manuals search

<http://auto.somanuals.com>

TV manuals search

<http://tv.somanuals.com>