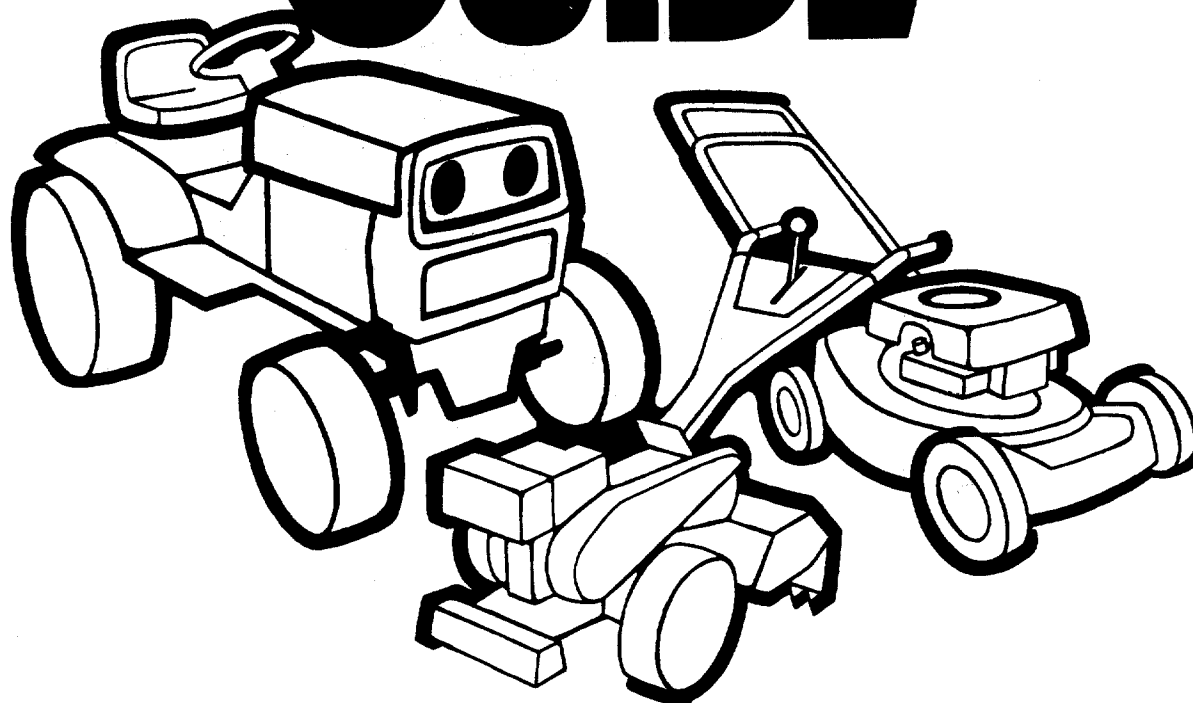


\$1.00

OWNER'S GUIDE



**REAR
DISCHARGE
GRASS
CATCHER KIT**

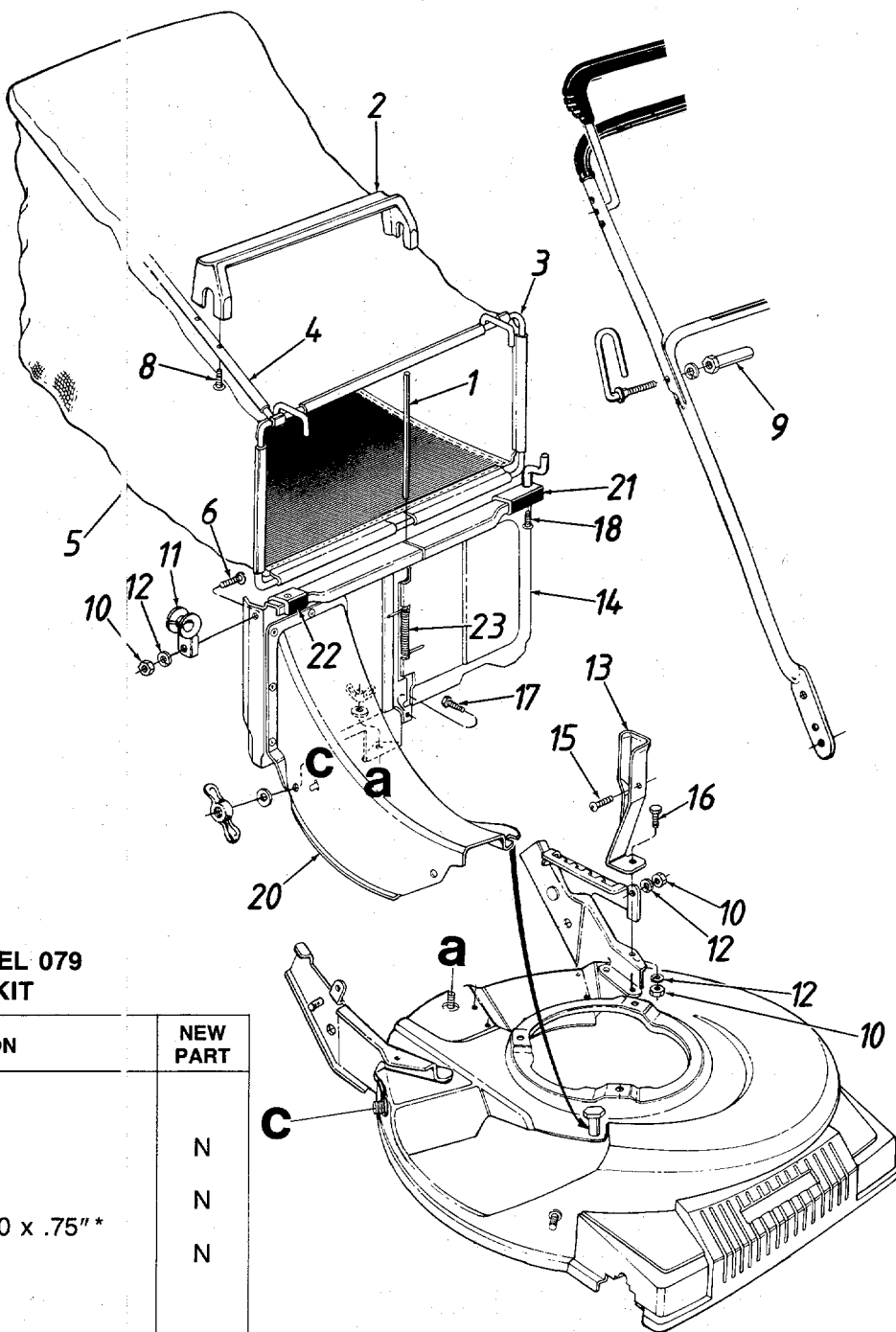
**Model Number
19079
(190-079-400)**

IMPORTANT: Read Instructions Carefully

Thank you for purchasing an American-built product.

FORM NO. 770-5364C

Model 079



PARTS LIST FOR MODEL 079 GRASS CATCHER KIT

REF. NO.	PART NO.	DESCRIPTION	NEW PART
1	747-0547	Chute Rod	
2	731-0801	Bag Handle	
3	747-0707	Front Frame Ass'y.	N
4	749-0723	Rear Frame	
5	764-0259	Grass Bag	N
6	710-0255	Truss Mach. Scr. 1/4-20 x .75"*	
8	710-1025	Truss Mach. Tap Scr.	N
9	711-0807	Catcher Support Pin	
10	712-0287	Hex Nut 1/4-20 Thd.*	
11	719-0279	Rope Guide	
12	736-0329	L-Wash. 1/4" I.D.*	
13	17061	Grass Catcher Bracket	
14	17062	Chute Door	
15	710-0286	Truss Mach. Scr. 1/4-20 x .5"*	
16	710-0289	Hex Bolt 1/4-20 x .5" Lg.*	
17	710-0429	Hex B-Tap Scr. #10 x .38"	
18	710-0895	Hex AB-Tap Scr. 1/4 x .75"	
20	731-0864	Top Discharge Chute Ass'y.	
21	731-0882	Door Clip	
22	731-0883	Panel Clip	
23	732-0558	Torsion Spring	

*For faster service obtain standard nuts, bolts and washers locally.
If these items cannot be obtained locally, order by part number and size as shown on parts list.

ASSEMBLY INSTRUCTIONS



WARNING

Be sure to disconnect and ground the spark plug wire before assembling the grass catcher kit.

NOTE

Reference to right and left hand side of mower is determined from behind the unit in the operating position. Refer to illustration on page 2 when assembling the grass catcher kit.

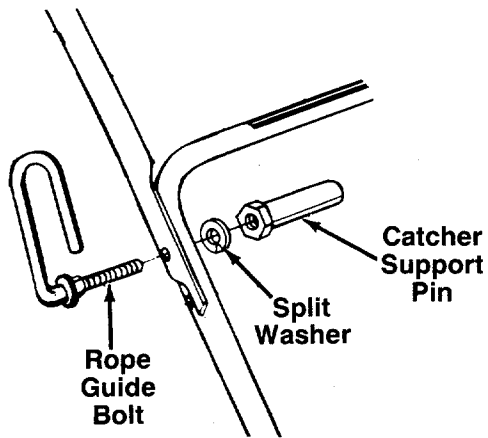


FIGURE 1.

1. Slip the starter rope out of the rope guide bolt (located on the handle). The upper handle of your mower is secured with the rope guide bolt, curved head bolt, two split washers and two hex nuts. Remove the hex nuts and replace with the two catcher support pins (Ref. 9) provided in this kit. See figure 1.

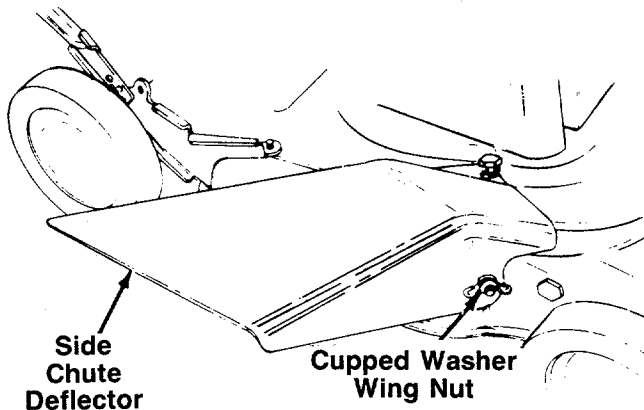


FIGURE 2.

2. Remove the side chute deflector from your unit by removing the two wing nuts and cupped washers which secure the chute deflector to the side of the deck. See figure 2. The hardware will be used for reassembly in step 4.
3. Remove the wing nut and cupped washer which are on the bolt on the top rear of the deck.

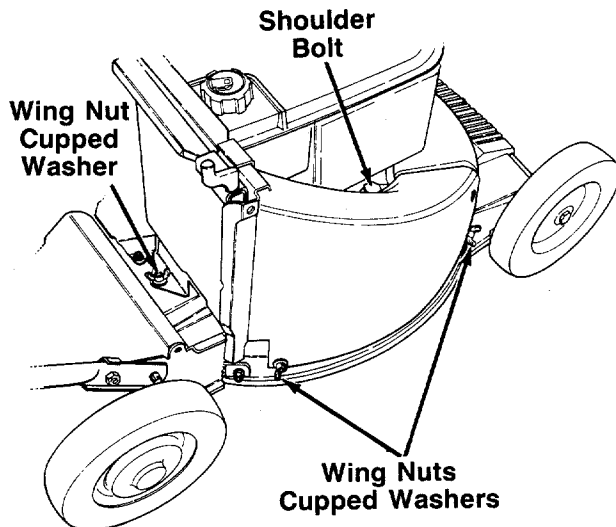


FIGURE 3.

4. Attach the rear discharge chute assembly as follows. See figure 3.
 - a. Place the front hole in the side of the discharge chute over the bolt in the side of the deck.
 - b. Slide the notch in the top of the discharge chute under the head of the shoulder bolt on top of the deck.
 - c. Then place the rear hole in the side of the chute over the bolt towards the rear of the deck.
 - d. Lift up on the rear of the discharge chute, and slide it into position, placing the hole in the discharge chute over the bolt in the top rear of the deck.
 - e. Secure with three cupped washers (cupped side against the discharge chute) and wing nuts removed in steps 2 and 3.

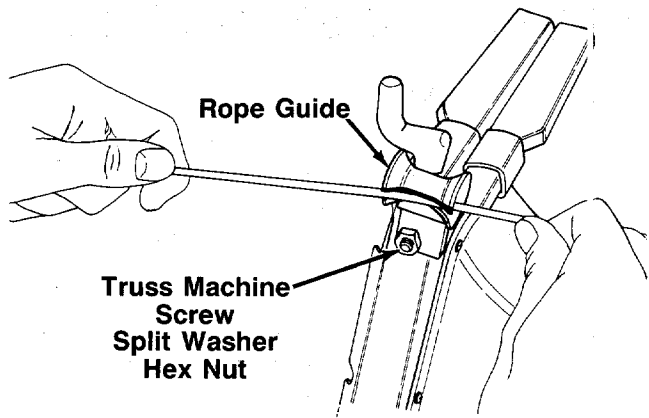


FIGURE 4.

5. Attach the rope guide to the rear discharge chute assembly using one truss machine screw $\frac{3}{4}$ " long (Ref. 6), $\frac{1}{4}$ " split washer (Ref. 12) and hex nut (Ref. 10) as shown in illustration on page 2. The slot in the rope guide goes toward the outside of the unit.
6. Attach the starter rope as follows.
 - a. With the spark plug wire disconnected and grounded, depress the blade control handle and pull the rope out of the engine.
 - b. Slip the starter rope into the rope guide bolt on the handle.
 - c. Slip the starter rope into the rope guide as shown in figure 4.

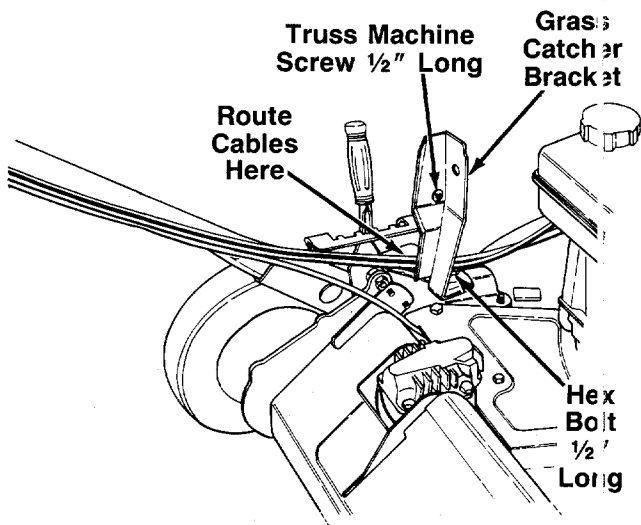


FIGURE 5.

7. Assemble the bottom of grass catcher bracket (Ref. 13) to the handle wheel bracket assembly on the left side of the mower as follows. See figure 5.
 - a. Make certain the throttle and brake cables are routed in between the grass catcher bracket and the handle wheel bracket assembly as shown.
 - b. Secure the bottom of grass catcher bracket to the handle wheel bracket assembly using $\frac{1}{2}$ " long hex bolt (Ref. 16), $\frac{1}{4}$ " lock washer and hex nut.
 - c. Secure the side of grass catcher bracket to the handle wheel bracket assembly using truss machine screw $\frac{1}{2}$ " long (Ref. 15), $\frac{1}{4}$ " lock washer and hex nut. Head of the screw is to the inside of the bracket.

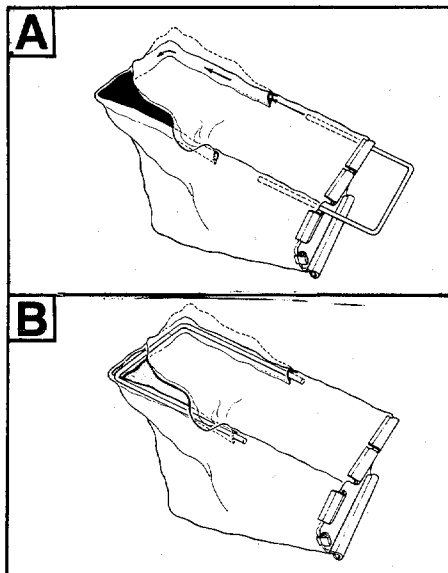
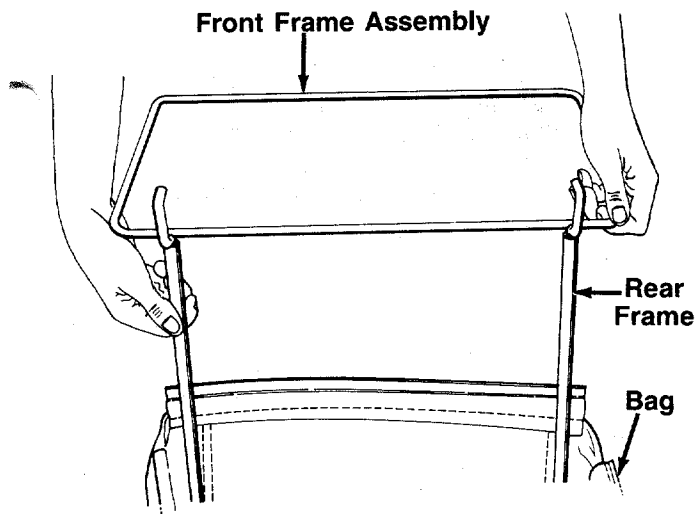


FIGURE 6.

ASSEMBLING THE GRASS CATCHER

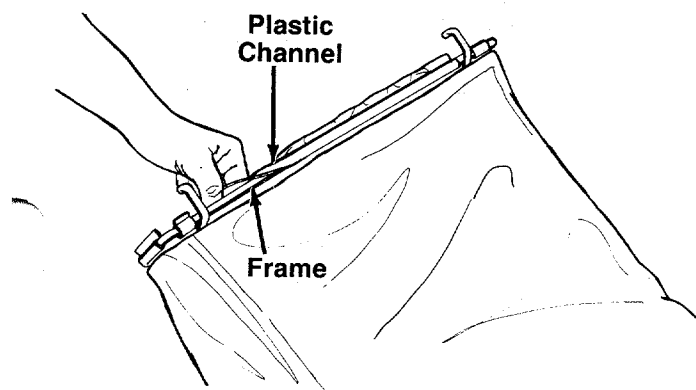
1. Place the end of the rear frame inside the grass catcher bag. See figure 6A.
2. Insert one end of the frame into the cloth channel inside the grass catcher bag. Feed all the material on one side of the frame before working it around the frame.

When this step is completed, both ends of the frame should be inside the bag. See figure 6B.



3. Join the rear frame and front frame assembly as shown in figure 7.

FIGURE 7.



4. Secure front of bag to frame by working the plastic channels on bag over frame. See figure 8.

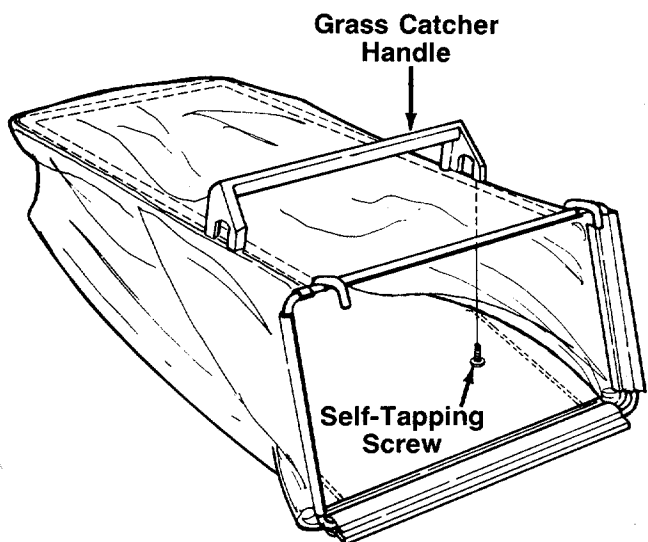
5. Close the top of the bag by stretching the loose material over the end of the frame.



WARNING

Never operate the mower with the bag open.

FIGURE 8.



6. Place the grass catcher handle in position on top of the grass bag and frame as shown in figure 9. Secure with four self-tapping screws (Ref. 8).

FIGURE 9.

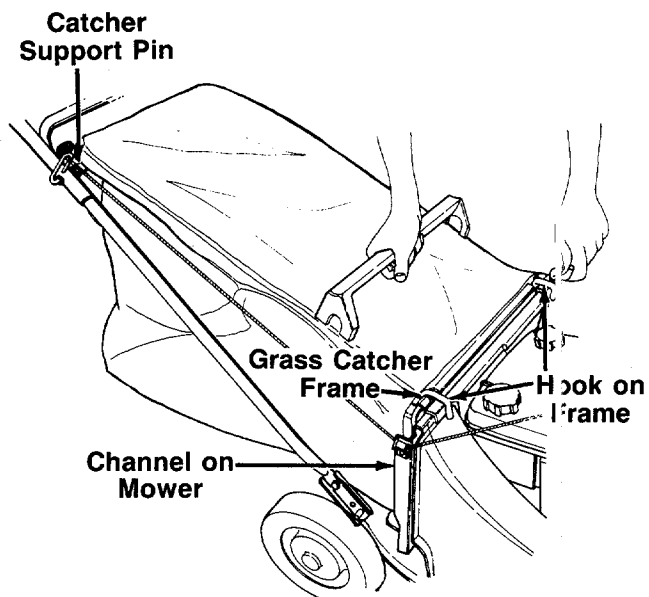


FIGURE 10.

TO ATTACH BAG TO MOWER



WARNING

DO NOT operate the mower with the chute door open unless the complete grass catcher is properly mounted on the mower.

1. Hold the chute door on the catcher panel open as shown in figure 10.

2. Slide the frame of the grass catcher down into the channels on each side of the mower. The hooks on the frame go over the panel on the discharge chute. Make certain the rear of the grass catcher frame is resting on the catcher support pins. See figure 10.

To remove the grass catcher, lift the grass catcher straight up.



WARNING

Never operate your unit without either the side chute deflector or entire rear discharge chute and grass catcher assembly in place.

YaRD-MaN COMPANY • P.O. BOX 36940 • CLEVELAND, OHIO 44136

Free Manuals Download Website

<http://myh66.com>

<http://usermanuals.us>

<http://www.somanuals.com>

<http://www.4manuals.cc>

<http://www.manual-lib.com>

<http://www.404manual.com>

<http://www.luxmanual.com>

<http://aubethermostatmanual.com>

Golf course search by state

<http://golfingnear.com>

Email search by domain

<http://emailbydomain.com>

Auto manuals search

<http://auto.somanuals.com>

TV manuals search

<http://tv.somanuals.com>