

AUTODOME 5000 PTZ Camera



BOSCH

en Installation Guide

Table of contents

1	Safety	4
1.1	About this Manual	4
1.2	Conventions in this Manual	4
1.3	Legal Information	4
1.4	Important Safety Instructions	4
2	Description	6
2.1	Unpacking	6
3	Installing a Recessed Mount	7
3.1	Parts List	7
3.2	Installing the Recessed Mount	8
4	Installing a Pipe Mount	10
4.1	Parts List	10
4.2	Installing the Pipe Mount	11
5	Installing a Wall Mount	14
5.1	Parts List	14
5.2	Installing the Wall Mount	15
6	Replacing the Bubble	17
6.1	Parts List	17
6.2	Installing the Replacement Bubble	18
7	Technical data	20

1 Safety

1.1 About this Manual

This manual has been compiled with great care and the information it contains has been thoroughly verified. The text was complete and correct at the time of printing. Because of the ongoing development of products, the content of the manual may change without notice. Bosch Security Systems accepts no liability for damage resulting directly or indirectly from faults, incompleteness, or discrepancies between the manual and the product described.

1.2 Conventions in this Manual

In this manual, the following symbols and notations are used to draw attention to special situations:



Danger!

This symbol indicates an imminently hazardous situation such as “Dangerous Voltage” inside the product. If not avoided, this will result in an electrical shock, serious bodily injury, or death.



Warning!

Indicates a potentially hazardous situation. If not avoided, this could result in serious bodily injury or death.



Caution!

Medium Risk

Indicates a potentially hazardous situation. If not avoided, this may result in minor or moderate injury. Alerts the user to important instructions accompanying the unit.



Caution!

Indicates a potentially hazardous situation. If not avoided, this may result in property damage or risk of damage to the unit.



Notice!

This symbol indicates information or a company policy that relates directly or indirectly to the safety of personnel or protection of property.

1.3 Legal Information

Copyright

This manual is the intellectual property of Bosch Security Systems, Inc. and is protected by copyright. All rights reserved.

Trademarks

All hardware and software product names used in this document are likely to be registered trademarks and must be treated accordingly.

1.4 Important Safety Instructions

Installation notes

- Do not place the device on an unstable mounting, tripod or similar. The device may fall to the ground and seriously injure the user or be damaged itself.

- Only use accessories that have been recommended by the manufacturer or are delivered with the device.
- Fit the device according to the manufacturer's instructions.
- Exercise extreme caution when transporting the device on a trolley. Abrupt stopping, extreme force effects and uneven surfaces may cause the device and the trolley to tip over.

Spare parts

If spare parts are required, service personnel must use spare parts that are recommended by the manufacturer or correspond to the original parts. Using the wrong spare parts may result in fire, electric shock or other hazards.

**Notice!**

Installation should only be carried out by qualified customer service personnel in accordance with the applicable electrical regulations.

**Danger!**

Servicing

TO REDUCE THE RISK OF ELECTRIC SHOCK, DO NOT PERFORM ANY SERVICING OTHER THAN THAT CONTAINED IN THE OPERATING INSTRUCTIONS, UNLESS YOU ARE QUALIFIED TO DO SO.

In USA and Canada, use Class 2 power supply unit (PSU) only.

**Notice!**

Use of Grounded Conduit

A grounded conduit is required in order to meet the EMC Regulation Requirements.

**Caution!**

Installation

The installation should be made by qualified installation personnel and conform to the National Electrical Code and applicable local codes.

2 Description

This manual provides instructions for mounting a AUTODOME 5000 Series PTZ Dome to the VEZ-A5-IC In-ceiling (Recessed) Mount. This mount allows you to recess the AUTODOME 5000 into an indoor drop-ceiling.

This manual provides instructions for mounting a AUTODOME 5000 PTZ Dome to the VEZ-A5-PP Pipe Mount. This mount allows you to mount the AUTODOME 5000 to an indoor or to an outdoor high ceiling.

This manual provides instructions for mounting a AUTODOME 5000 PTZ Dome to the VEZ-A5-WL Wall Mount. This mount allows you to mount the AUTODOME 5000 to an indoor or to an outdoor vertical wall.

This manual provides instructions to replace the bubble on a AUTODOME 5000 Series PTZ Dome Camera using the VEZ-5BUB-TR Bubble Replacement kit.

2.1 Unpacking

This equipment should be unpacked and handled with care. If an item appears to have been damaged in shipment, notify the shipper immediately.

Verify that all the parts listed in the Parts List below are included. If any items are missing, notify your Bosch Security Systems Sales or Customer Service Representative.

The original packing carton is the safest container in which to transport the unit and must be used if returning the unit for service. Save it for possible future use.

3 Installing a Recessed Mount

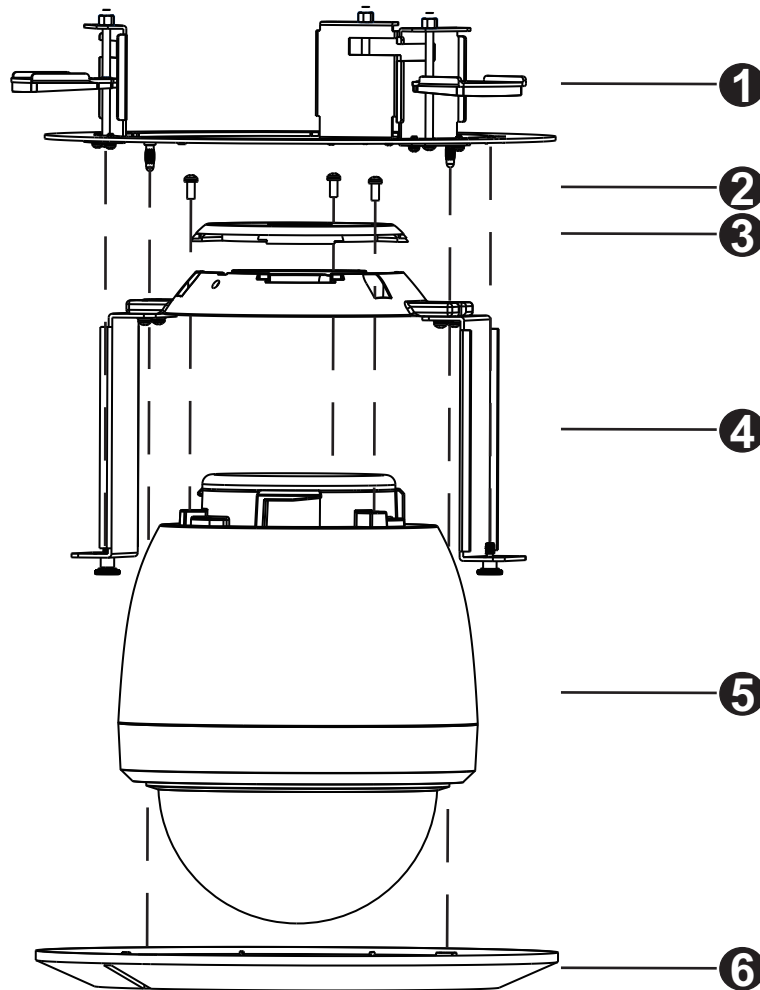
Use this chapter to install the indoor dome camera into an indoor ceiling space.

3.1 Parts List

Quantity	Item
1	Ceiling Bracket
1	Rubber Gasket
1	Housing Frame
1	Trim Ring
3	M4x10 Phillips Screws
1	Guide Pattern
1	Installation Manual

3.2 Installing the Recessed Mount

The illustration below shows the required parts for the recessed mount. Refer to the steps that follow for instructions.



1	Ceiling Bracket	4	Housing Frame
2	M4x10 Screws (3 pieces)	5	Dome Camera
3	Rubber Gasket	6	Trim Ring

Recessed Mount Installation Instructions

1. Find a secure location on the ceiling and apply the ceiling guide pattern the ceiling tile or drywall. Use the pattern as a template to cut the proper circle in the ceiling.
2. Place the Ceiling Bracket (1) into the ceiling and make sure the three support wings of the bracket are completely flush with the ceiling board.
3. Attach the Dome Camera (5) to the Housing Frame (4) by fastening the three (3) M4x10 screws.
4. Connect the Safety Tether, attached to the Ceiling Bracket (1), to the Housing Frame (4).
5. Thread all connection cables through the center hole of the Ceiling Bracket and through the Rubber Gasket (3).
6. Connect all cables to the camera back plate.
7. Insert the Housing Frame (4) with the camera into the Ceiling Bracket (1) and securely fasten the screws on the Housing Frame to the Ceiling Bracket.
8. Place the Trim Ring (6) over the exposed part of the camera and affix it to the Housing Frame (4).

4 Installing a Pipe Mount

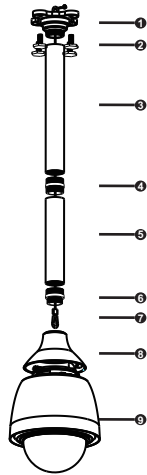
Use this chapter to install and indoor or outdoor dome camera to a pipe.

4.1 Parts List

Quantity	Item
1	Pipe Mount Base with Safety Tether
1	300 mm (11.81 in.) Pipe Extension
1	200 mm (7.87 in.) Pipe Extension
1	M38 to M38 Connection Ring
1	M38 to M33 Connection Ring
1	3/4 x 260 in. Roll Teflon Tape
1	5g Container Silicon Grease
4	M10x25L Phillips Screws and Washers
1	Rubber Gasket
1	Installation Manual

4.2 Installing the Pipe Mount

The illustration below shows the required parts for the pipe mount. Refer to the steps that follow for instructions.



1	Pipe Mount Base	6	M38 to M33 Pipe Connector
2	M10x25L Phillips Screws (4 pieces)	7	Safety Tether
3	Pipe Extension, 300 mm (11.81 in.)	8	Adaptor
4	M38 to M38 Pipe Connector	9	Dome Camera
5	Pipe Extension, 200 mm (7.87 in.)		

Pipe Mount Installation Instructions



Caution!

Strength of Mounting Surface

The fasteners and mounting surface must be capable of supporting a maximum load of 12 kg (26.4 pounds).

1. Locate a secure position to secure the Pipe Mount Base (1). Ensure there is an adequate opening in the ceiling or mounting structure for the wires to pass through.
2. Use the Rubber Gasket as a template to mark the locations of the four ceiling plugs and screws.
3. Insert the ceiling plugs (if necessary) into the wall at the locations marked in step 2.
4. Place the rubber pad between the Pipe Mount Base (1) and the ceiling. Secure the Pipe Mount Base and the rubber pad to the ceiling or mounting structure with the four (4) M10x25L screws and washers.
5. Apply Teflon tape to the threads on the Pipe Mount Base.
6. Apply Silicon grease over the Teflon tape on the threads on Pipe Mount Base. Ensure the grease is spread evenly.
7. Determine the distance that the camera should hang from the ceiling or mounting structure (200 mm, 300 mm, or 500 mm).
8. **For the 200 mm or 300 mm option:**
 Select the appropriate Pipe Extension (3 or 5).
 Fasten the Pipe Extension to the Pipe Mount Base (1).
 Apply Teflon tape to both sets of threads on the M38 to M33 Connector (6).
 Apply Silicon grease over the Teflon tape on both sets of threads on the M38 to M33 Connector (6). Ensure the grease is spread evenly.
 Fasten the M38 to M33 Connector (6) to the bottom of the Pipe Extension.
9. **For the 500 mm option:**
 Fasten the 300 mm Pipe Extension (3) to the Pipe Mount Base (1).
 Apply Teflon tape to both sets of threads on the M38 to M38 Connector (4).
 Apply Silicon grease over the Teflon tape on both sets of threads on the M38 to M38 Connector (4). Ensure the grease is spread evenly.
 Fasten the M38 to M38 Connector (4) to the bottom of the 300 mm Pipe Extension. Then, fasten the 200 mm Pipe Extension (5) to the other end of the M38 to M38 Connector.
 Apply Teflon tape to both sets of threads on the M38 to M33 Connector (4).
 Apply Silicon grease over the Teflon tape on both sets of threads on the M38 to M33 Connector (4). Ensure the grease is spread evenly.
 Fasten the M38 to M33 Connector (6) to the bottom to the 200 mm Pipe Extension.



Notice!

Ensure that the Safety Tether (7) is routed through the Pipe Extensions and that the eyelet at the end of the tether is through the M38 to M33 connector.

10. Fasten the Adaptor (8) to the bottom of the M38 to M33 connector.
11. Thread all connection cables from the top of the pipe mount base through the pipe extensions and the adaptor.
12. Attach the hook at the end of the Safety Tether (7) to the loop attached to the top of the Dome Camera (9).
13. Connect all cables to the camera back plate.

14. Place the top of the Dome Camera (9) inside the Adaptor (8) and turn clockwise until the Dome Camera latches to the Adaptor.
15. Fasten the M5x8L screw using the T20 Security Torx wrench (shipped with the camera) to secure the Dome Camera to the Adaptor.

5 Installing a Wall Mount

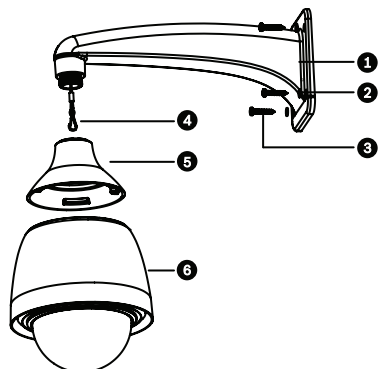
Use this chapter to install and indoor or outdoor dome camera to a wall.

5.1 Parts List

Quantity	Item
1	Wall Mount with Safety Tether
1	3/4 x 260 in. Roll Teflon Tape
1	5g Container Silicon Grease
4	M10x25L Phillips Screws
1	Rubber Gasket
1	Installation Manual

5.2 Installing the Wall Mount

The illustration below shows the required parts for the wall mount. Refer to the steps that follow for instructions.



1	Wall Mount Base	4	Safety Tether
2	Washers (4 pieces)	5	Adaptor
3	M10x25L Phillips Screws (4 pieces)	6	Dome Camera

Wall Mount Installation Instructions

**Caution!****Strength of Mounting Surface**

The fasteners and mounting surface must be capable of supporting a maximum load of 12 kg (26.4 pounds).

1. Locate a secure position to secure the Wall Mount Base (1). Ensure there is an adequate opening in the wall for the wires to pass through.
 2. Use the Rubber Gasket as a template to mark the locations of the four wall plugs and screws.
 3. Insert the wall plugs (if necessary) into the wall at the locations marked in step 2.
 4. Place the rubber pad between the Wall Mount Base (1) and the wall. Secure the Wall Mount to the structure with the four (4) M10x25L screws and washers (3).
 5. Apply Teflon tape to the threads on the Wall Mount Base.
 6. Apply Silicon grease over the Teflon tape on the threads of the Wall Mount Base. Ensure the grease is spread evenly.
 7. Fasten the Adaptor (5) to the end of the Wall Mount.
 8. Thread all connection cables through the Wall Mount.
-

**Notice!**

Ensure that the Safety Tether (4) is routed through the Wall Mount and that the eyelet at the end of the tether is through the Adaptor.

9. Attach the hook at the end of the Safety Tether (4) to the loop attached to the top of the Dome Camera (6).
10. Connect all cables to the camera back plate.
11. Place the top of the Dome Camera (6) inside the Adaptor (5) and turn clockwise until the Dome Camera latches to the Adaptor.
12. Fasten the M5x8L screw using the T20 Security Torx wrench (shipped with the camera) to secure the Dome Camera to the Adaptor.

6 Replacing the Bubble

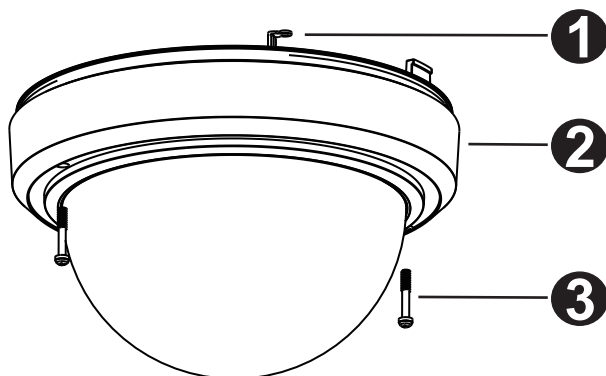
This section provides instructions for replacing a bubble on an AUTODOME 5000 camera.

6.1 Parts List

Quantity	Item
1	Tinted Bubble with Trim Ring (with two (2) M3x23L Torx screws attached)
1	Torx Wrench
1	Installation Manual

6.2 Installing the Replacement Bubble

Use the illustration below as a guide for replacing the bubble.



1	Safety Tab with M3x5 Screw
2	Bubble Assembly
3	M3x23L Screw (2 pieces)

Bubble Replacement Instructions

1. Loosen the two M3x23L screws (3) from the bubble on the camera.
2. Detach the Bubble Assembly (2) from the camera.
3. Remove the screw that secures the Safety Tether to the Bubble. Keep the screw to secure the bubble replacement.
4. Attach the Safety Tether from the camera housing to the replacement bubble using the screw removed above.
5. Attach the replacement bubble to the camera housing.
6. Secure the replacement bubble to the camera housing with the two M3x23L Torx screws (preinstalled in the Bubble Assembly).

7 Technical data

Camera Dimensions

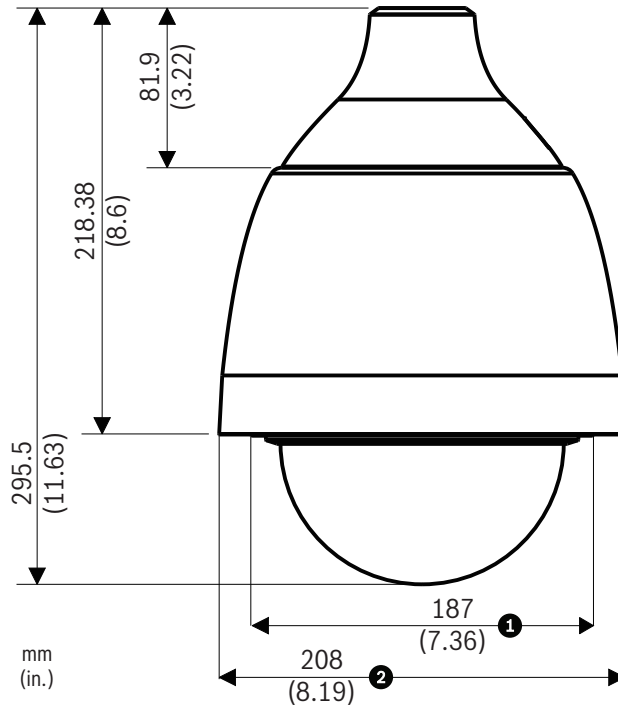


Figure 7.1: AUTODOME 5000 Indoor/Outdoor Dimensions

1	Diameter without sunshield (indoor models)
2	Diameter with sunshield (outdoor models)

Bosch Security Systems, Inc.

850 Greenfield Road

Lancaster, PA, 17601

USA

www.boschsecurity.com

© Bosch Security Systems, Inc., 2013

Free Manuals Download Website

<http://myh66.com>

<http://usermanuals.us>

<http://www.somanuals.com>

<http://www.4manuals.cc>

<http://www.manual-lib.com>

<http://www.404manual.com>

<http://www.luxmanual.com>

<http://aubethermostatmanual.com>

Golf course search by state

<http://golfingnear.com>

Email search by domain

<http://emailbydomain.com>

Auto manuals search

<http://auto.somanuals.com>

TV manuals search

<http://tv.somanuals.com>