

**IMPORTANT:**  
**Read Before Using**

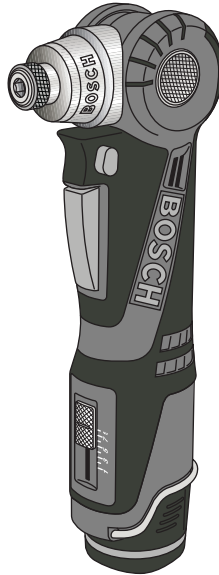
**IMPORTANT :**  
**Lire avant usage**

**IMPORTANTE:**  
**Leer antes de usar**



**Operating/Safety Instructions**  
**Consignes de fonctionnement/sécurité**  
**Instrucciones de funcionamiento y seguridad**

**PS10**



**BOSCH**

**Call Toll Free for  
Consumer Information  
& Service Locations**

**Pour obtenir des informations  
et les adresses de nos centres  
de service après-vente,  
appelez ce numéro gratuit**

**Llame gratis para  
obtener información  
para el consumidor y  
ubicaciones de servicio**

**1-877-BOSCH99 (1-877-267-2499) [www.boschtools.com](http://www.boschtools.com)**

**For English Version  
See page 2**

**Version française  
Voir page 14**

**Versión en español  
Ver la página 26**

## General Safety Rules

**⚠ WARNING** Read all instructions. Failure to follow all instructions listed below may result in electric shock, fire and/or serious injury. The term "power tool" in all of the warnings listed below refers to your mains-operated (corded) power tool or battery-operated (cordless) power tool.

### SAVE THESE INSTRUCTIONS

#### Work area safety

**Keep work area clean and well lit.** Cluttered or dark areas invite accidents.

**Do not operate power tools in explosive atmospheres, such as in the presence of flammable liquids, gases or dust.** Power tools create sparks which may ignite the dust or fumes.

**Keep children and bystanders away while operating a power tool.** Distractions can cause you to lose control.

#### Electrical safety

**Power tool plugs must match the outlet. Never modify the plug in any way. Do not use any adapter plugs with earthed (grounded) power tools.** Unmodified plugs and matching outlets will reduce risk of electric shock.

**Avoid body contact with earthed or grounded surfaces such as pipes, radiators, ranges and refrigerators.** There is an increased risk of electric shock if your body is earthed or grounded.

**Do not expose power tools to rain or wet conditions.** Water entering a power tool will increase the risk of electric shock.

**Do not abuse the cord. Never use the cord for carrying, pulling or unplugging the power tool. Keep cord away from heat, oil, sharp edges or moving parts.** Damaged or entangled cords increase the risk of electric shock.

**When operating a power tool outdoors, use an extension cord suitable for outdoor use.** Use of a cord suitable for outdoor use reduces the risk of electric shock.

**Do not use AC only rated tools with a DC power supply.** While the tool may appear to work, the electrical components of the AC rated tool are likely to fail and create a hazard to the operator.

**If operating the power tool in damp locations is unavoidable a Ground Fault Circuit Interrupter (GFCI) must be used to supply the power to your tool.** GFCI and personal protection devices like electrician's rubber gloves and footwear will further enhance your personal safety.

#### Personal safety

**Stay alert, watch what you are doing and use common sense when operating a power tool. Do not use a power tool while you are tired or under the influence of drugs, alcohol or medication.** A moment of inattention while operating power tools may result in serious personal injury.

**Use safety equipment. Always wear eye protection.** Safety equipment such as dust mask, non-skid safety shoes, hard hat, or hearing protection used for appropriate conditions will reduce personal injuries.

**Avoid accidental starting. Ensure the switch is in the off-position before plugging in.** Carrying power tools with your finger on the switch or plugging in power tools that have the switch on invites accidents.

**Remove any adjusting key or wrench before turning the power tool on.** A wrench or a key left attached to a rotating part of the power tool may result in personal injury.

**Do not overreach. Keep proper footing and balance at all times.** This enables better control of the power tool in unexpected situations.

**Dress properly. Do not wear loose clothing or jewelry. Keep your hair, clothing and gloves away from moving parts.** Loose clothes, jewelry or long hair can be caught in moving parts.

**If devices are provided for the connection of dust extraction and collection facilities, ensure these are connected and properly used.** Use of these devices can reduce dust-related hazards.

**Keep handles dry, clean and free from oil and grease.** Slippery hands cannot safely control the power tool.

### **Power tool use and care**

**Do not force the power tool. Use the correct power tool for your application.**

The correct power tool will do the job better and safer at the rate for which it was designed.

**Do not use the power tool if the switch does not turn it on and off.** Any power tool that cannot be controlled with the switch is dangerous and must be repaired.

**Disconnect the plug from the power source and/or the battery pack from the power tool before making any adjustments, changing accessories, or storing power tools.** Such preventive safety measures reduce the risk of starting the power tool accidentally.

**Store idle power tools out of the reach of children and do not allow persons unfamiliar with the power tool or these instructions to operate the power tool.** Power tools are dangerous in the hands of untrained users.

**Maintain power tools. Check for misalignment or binding of moving parts, breakage of parts and any other condition that may affect the power tools operation. If damaged, have the power tool repaired before use.** Many accidents are caused by poorly maintained power tools.

**Keep cutting tools sharp and clean.** Properly maintained cutting tools with sharp cutting edges are less likely to bind and are easier to control.

**Use the power tool, accessories and tool bits etc., in accordance with these instructions and in the manner intended for the particular type of power tool, taking into account the working conditions and the work to be performed.** Use of the power tool for operations different from those intended could result in a hazardous situation.

**Use clamps or other practical way to secure and support the workpiece to a stable platform.** Holding the work by hand or against your body is unstable and may lead to loss of control.

### **Battery tool use and care**

**Ensure the switch is in the off position before inserting battery pack.** Inserting the battery pack into power tools that have the switch on invites accidents.

**Recharge only with the charger specified by the manufacturer.** A charger that is suitable for one type of battery pack may create a risk of fire when used with another battery pack.

**Use battery tools only with specifically designated battery packs.** Use of any other battery packs may create a risk of injury and fire.

**When battery pack is not in use, keep it away from other metal objects like paper clips, coins, keys, nails, screws, or other small metal objects that can make a connection from one terminal to another.** Shorting the battery terminals together may cause burns or a fire.

**Under abusive conditions, liquid may be ejected from the battery, avoid contact. If contact accidentally occurs, flush with water. If liquid contacts eyes, additionally seek medical help.** Liquid ejected from the battery may cause irritation or burns.

### **Service**

**Have your power tool serviced by a qualified repair person using only identical replacement parts.** This will ensure that the safety of the power tool is maintained.

**Develop a periodic maintenance schedule for your tool. When cleaning a tool be careful not to disassemble any portion of the tool since internal wires may be misplaced or pinched or safety guard return springs may be improperly mounted.** Certain cleaning agents such as gasoline, carbon tetrachloride, ammonia, etc. may damage plastic parts.

**SAVE THESE INSTRUCTIONS**

## Safety Rules for Cordless Drill / Drivers

**Hold tool by insulated gripping surfaces when performing an operation where the cutting tools may contact hidden wiring.** Contact with a "live" wire will make exposed metal parts of the tool "live" and shock the operator.

**Use clamps or other practical way to secure and support the workpiece to a stable platform.** Holding the work by hand or against your body is unstable and may lead to loss of control.

Do not drill, fasten or break into existing walls or other blind areas where electrical wiring may exist. If this situation is unavoidable, disconnect all fuses or circuit breakers feeding this worksite.

**Always hold the tool with both hands.** If the bit jams two hands will give you maximum control over torque reaction or kickback.

**Always wear safety goggles or eye protection when using this tool. Use a dust mask or respirator for applications which generate dust.**

**Secure the material being drilled. Never hold it in your hand or across legs.** Unstable support can cause the drill bit to bind causing loss of control and injury.

**Disconnect battery pack from tool or place the switch in the locked or off position before making any assembly, adjustments or changing accessories.** Such preventive safety measures reduce the risk of starting the tool accidentally.

**Position yourself to avoid being caught between the tool or side handle and walls or posts.** Should the bit become bound or jammed in the work, the reaction torque of the tool could crush your hand or leg.

**If the bit becomes bound in the workpiece, release the trigger immediately, reverse the direction of rotation and slowly squeeze the trigger to back out the bit.** Be ready for a strong reaction torque. The drill body will tend to twist in the opposite direction as the drill bit is rotating.

**Do not grasp the tool or place your hands too close to the spinning chuck or drill bit.** Your hand may be lacerated.

**When installing a bit, insert the shank of the bit well within the collet.** If the bit is not inserted deep enough, the grip of the collet over the bit is reduced and the loss of control is increased. After bit insertion, pull on bit to ensure it is locked.

**Do not use dull or damaged bits and accessories.** Dull or damaged bits have a greater tendency to bind in the workpiece.

**When removing the bit from the tool avoid contact with skin and use proper protective gloves when grasping the bit or accessory.** Accessories may be hot after prolonged use.

**Check to see that keys and adjusting wrenches are removed from the drill before switching the tool "ON".** Keys or wrenches can fly away at high velocity striking you or a bystander.

**Do not run the drill while carrying it at your side.** A spinning drill bit could become entangled with clothing and injury may result.

**⚠ WARNING** Some dust created by power sanding, sawing, grinding, drilling, and other construction activities contains chemicals known to cause cancer, birth defects or other reproductive harm. Some examples of these chemicals are:

- Lead from lead-based paints,
- Crystalline silica from bricks and cement and other masonry products, and
- Arsenic and chromium from chemically-treated lumber.

Your risk from these exposures varies, depending on how often you do this type of work. To reduce your exposure to these chemicals: work in a well ventilated area, and work with approved safety equipment, such as those dust masks that are specially designed to filter out microscopic particles.

## Battery/Charger

Before using battery charger, read all instructions and cautionary markings on (1) battery charger, (2) battery pack, and (3) product using battery.

Use only the charger which accompanied your product or direct replacement as listed in the catalog or this manual. Do not substitute any other charger. Use only Bosch approved chargers with your product. See Functional Description and Specifications.

Do not disassemble charger or operate the charger if it has received a sharp blow, been dropped or otherwise damaged in any way. Replace damaged cord or plugs immediately. Incorrect reassembly or damage may result in electric shock or fire.

Do not recharge battery in damp or wet environment. Do not expose charger to rain or snow. If battery case is cracked or otherwise damaged, do not insert into charger. Battery short or fire may result.

Charge only Bosch approved rechargeable batteries. See Functional Description and Specifications. Other types of batteries may burst causing personal injury and damage.

Charge battery pack in temperatures above +32 degrees F (0 degrees C) and below

+113 degrees F (45 degrees C). Store tool and battery pack in locations where temperatures will not exceed 120 degrees F (49 degrees C). This is important to prevent serious damage to the battery cells.

Battery leakage may occur under extreme usage or temperature conditions. Avoid contact with skin and eyes. The battery liquid is caustic and could cause chemical burns to tissues. If liquid comes in contact with skin, wash quickly with soap and water. If the liquid contacts your eyes, flush them with water for a minimum of 10 minutes and seek medical attention.

Place charger on flat non-flammable surfaces and away from flammable materials when re-charging battery pack.

The charger and battery pack heat during charging. Carpeting and other heat insulating surfaces block proper air circulation which may cause overheating of the charger and battery pack. If smoke or melting of the case are observed unplug the charger immediately and do not use the battery pack or charger.

Use of an attachment not recommended or sold by Bosch may result in a risk of fire, electric shock or injury to persons.

## Battery Care

**⚠ WARNING** When batteries are not in tool or charger, keep them away from metal objects. For example, to protect terminals from shorting **DO NOT** place batteries in a tool box or pocket with

nails, screws, keys, etc. Fire or injury may result.

**DO NOT PUT BATTERIES INTO FIRE OR EXPOSE TO HIGH HEAT.** They may explode.

## Battery Disposal

**⚠ WARNING** Do not attempt to disassemble the battery or remove any component projecting from the battery terminals. Fire or injury may result. Prior to disposal, protect exposed terminals with heavy insulating tape to prevent shorting.

### LITHIUM-ION BATTERIES

If equipped with a lithium-ion battery, the battery must be collected, recycled or disposed of in an environmentally sound manner.



“The EPA certified RBRC Battery Recycling Seal on the lithium-ion (Li-ion) battery indicates Robert Bosch Tool Corporation is voluntarily participating in an industry

program to collect and recycle these batteries at the end of their useful life, when taken out of service in the United States or Canada. The RBRC program provides a convenient alternative to placing used Li-ion batteries into the trash or the municipal waste stream, which may be illegal in your area.

Please call 1-800-8-BATTERY for information on Li-ion battery recycling and disposal bans/restrictions in your area, or return your batteries to a Skil/Bosch/Dremel Service Center for recycling. Robert Bosch Tool Corporation’s involvement in this program is part of our commitment to preserving our environment and conserving our natural resources.”

## Symbols

**IMPORTANT:** Some of the following symbols may be used on your tool. Please study them and learn their meaning. Proper interpretation of these symbols will allow you to operate the tool better and safer.

Symbol	Name	Designation/Explanation
V	Volts	Voltage (potential)
A	Amperes	Current
Hz	Hertz	Frequency (cycles per second)
W	Watt	Power
kg	Kilograms	Weight
min	Minutes	Time
s	Seconds	Time
∅	Diameter	Size of drill bits, grinding wheels, etc.
$n_0$	No load speed	Rotational speed, at no load
.../min	Revolutions or reciprocation per minute	Revolutions, strokes, surface speed, orbits etc. per minute
0	Off position	Zero speed, zero torque...
1, 2, 3, ... I, II, III,	Selector settings	Speed, torque or position settings. Higher number means greater speed
0	Infinitely variable selector with off	Speed is increasing from 0 setting
	Arrow	Action in the direction of arrow
	Alternating current	Type or a characteristic of current
	Direct current	Type or a characteristic of current
	Alternating or direct current	Type or a characteristic of current
	Class II construction	Designates Double Insulated Construction tools.
	Earthing terminal	Grounding terminal
	Warning symbol	Alerts user to warning messages
	Li-ion RBRC seal	Designates Li-ion battery recycling program



This symbol designates that this tool is listed by Underwriters Laboratories.



This symbol designates that this tool is listed to Canadian Standards by Underwriters Laboratories.



This symbol designates that this tool complies to NOM Mexican Standards.



This symbol designates that this tool is listed by the Canadian Standards Association.



This symbol designates that this tool is listed by Underwriters Laboratories, and listed to Canadian Standards by Underwriters Laboratories.

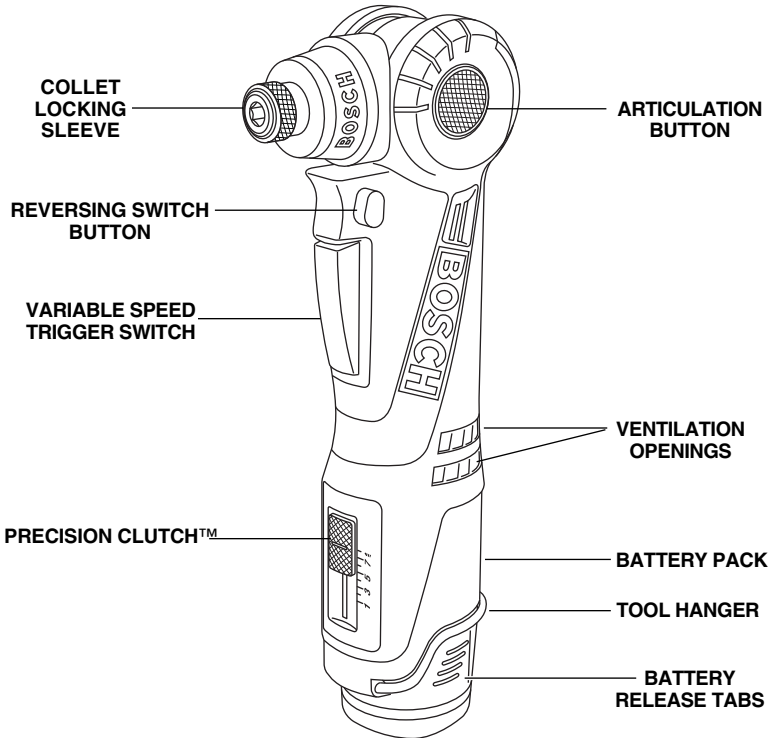
## Functional Description and Specifications



**WARNING** Disconnect battery pack from tool or place the switch in the locked or off position before making any assembly, adjustments or changing accessories. Such preventive safety measures reduce the risk of starting the tool accidentally.

### Cordless Drill/Driver

**FIG. 1**



<b>Model number</b>	PS10
Voltage rating	10.8V/12V $\equiv$ MAX
No load speed	$n_0$ 600/min
Charge time	30 minutes
<b>Maximum Capacities</b>	
Chuck size	1/4" Hex-shank with power groove
Drilling Wood	1/2" (12.5 mm)
Screw Sizes	1/4" (6 mm)
<b>Battery pack</b>	BAT411
<b>Charger</b>	BC430
Voltage rating	120 V $\sim$ 60 Hz



## Operating Instructions

The Bosch model PS10 Cordless Drill/Driver has a collet that accepts only standard 1/4" hexagonal shank accessories with power groove. The low RPM capability of this model is not a deficiency. On the contrary, low speed means high torque and high torque is a definite plus for efficient drilling and driving. The low speed also provides more control to prevent stripout of the screw and damage to the work surface.

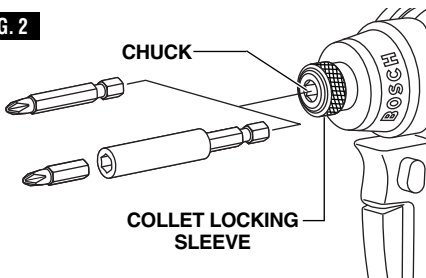
### COLLET LOCKING SLEEVE

**WARNING** To avoid loss of control, ensure bit is locked in collet by pulling on bit after it has been inserted.

Your tool is equipped with a quick release collet locking sleeve. To insert an accessory, simply pull collet locking sleeve forward, insert desired accessory into chuck and release collet locking sleeve (Fig. 2).

To remove an accessory, pull collet locking sleeve forward and simply remove it.

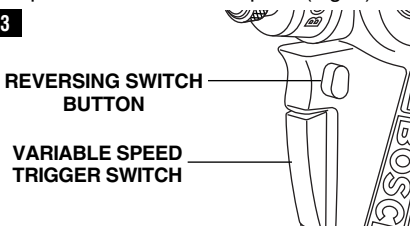
FIG. 2



### TRIGGER CONTROLLED VARIABLE SPEED

Your tool is equipped with a variable speed trigger switch. The tool speed can be controlled from minimum to maximum nameplate rated RPM by the pressure you apply to the trigger. Apply more pressure to increase the speed and release pressure to decrease speed (Fig. 3).

FIG. 3



### REVERSING SWITCH BUTTON

The reversing switch button is located above the trigger switch and is used to reverse rotation of the bit. For forward rotation, (with the

chuck pointed away from you) move button to the far left. For reverse rotation move the button to the far right (Fig. 3).

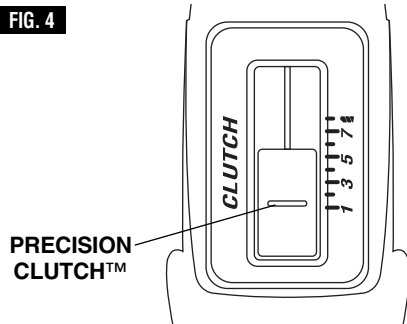
### BRAKE

When the trigger switch is released it activates the brake to stop the chuck quickly. This is especially useful in the repetitive driving and removal of screws.

### PRECISION CLUTCH™

Your tool features 7 clutch settings. Output torque will increase as the button is raised or lower from settings 1 to 7. The drill " " position will lock up the clutch to permit drilling and driving heavyduty work. When the clutch is activated, user will feel several pulses at the trigger and the tool will stop. The trigger must be released to reset the clutch (Fig. 4).

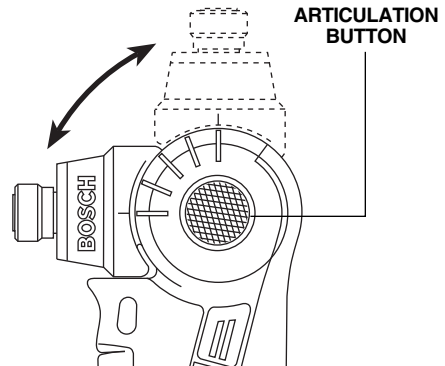
FIG. 4



### ARTICULATION BUTTON

Your tool also features a 5 position articulating head. To adjust, depress articulation button and move head to desired position (Fig. 5).

FIG. 5



## Operating Tips

You will extend the life of your bits and do neater work if you always put the bit in contact with the work before pulling the trigger. During the operation, hold the tool firmly and exert light, steady pressure. Too much pressure at low speed will stall the tool. Too little pressure will keep the bit from cutting and cause excess friction by sliding over the surface. This can be damaging to both tool and bit.

### DRILLING WITH VARIABLE SPEED

The trigger controlled variable speed feature will eliminate the need for center punches in hard materials. The variable speed trigger allows you to slowly increase RPM. By using a slow starting speed, you are able to keep

the bit from "wandering". You can increase the speed as the bit "bites" into the work by squeezing the trigger.

### DRIVING WITH VARIABLE SPEED

Variable speed drills will double as a power screwdriver by using a screwdriver bit in the drill mode. The technique is to start slowly, increasing the speed as the screw runs down. Set the screw snugly by slowing to a stop. Prior to driving screws, pilot and clearance holes should be drilled.

### TOOL HANGER

**⚠ WARNING** To avoid personal injury, do not use tool hanger as a tether. Hanger is meant to be used for storage.

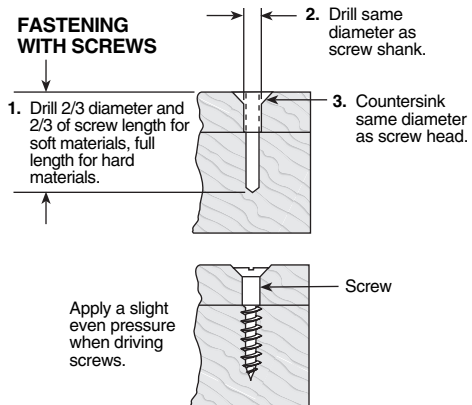
## FASTENING WITH SCREWS

The procedure shown in figure. 6 will enable you to fasten materials together with your Cordless Screwdriver without stripping, splitting, or separating the material.

First, clamp the pieces together and drill the first hole 2/3 the diameter of the screw. If the material is soft, drill only 2/3 the proper length. If it is hard, drill the entire length.

Second, unclamp the pieces and drill the second hole the same diameter as the screw shank in the first or top piece of wood.

Third, if a flat head screw is used, countersink the hole to make the screw flush with the surface. Then, simply apply even pressure when driving the screw. The screw clearance hole in the first piece allows the screw head to pull the pieces tightly together.



**FIG. 6**

## DRILL BITS

Always inspect drill bits for excessive wear. Use only bits that are sharp and in good condition.

**TWIST BITS:** Available with straight and reduced shanks for wood and light duty metal drilling. High speed bits cut faster and last longer on hard materials.

**CARBIDE TIPPED BITS:** Used for drilling stone, concrete, plaster, cement and other unusually hard nonmetals. Use continuous heavy feed pressure when employing carbide tip bits.

## DRILLING WOOD

Be certain workpiece is clamped or anchored firmly. Always apply pressure in a straight line with the drill bit. Maintain enough pressure to keep the drill "biting".

When drilling holes in wood, twist bits can be used. Twist bits may overheat unless pulled out frequently to clear chips from flutes.

Use a "back-up" block of wood for work that is likely to splinter, such as thin materials.

You will drill a cleaner hole if you ease up on the pressure just before the bit breaks through the wood. Then complete the hole from the back side.

### DRILLING METAL

There are two rules for drilling hard materials. First, the harder the material, the greater the pressure you need to apply to the tool. Second, the harder the material, the slower the speed. Here are a couple of tips for drilling in metal. Lubricate the tip of the bit occasionally with cutting oil except when drilling soft metals such as aluminum, copper or cast iron. If the hole to be drilled is fairly large, drill a smaller hole first, then enlarge to the required size, it's often faster in the long run. Maintain enough pressure to assure that the bit does not just spin in the hole. This will dull the bit and greatly shorten its life.

### DRILLING MASONRY

Soft materials such as brick are relatively easy to drill. Concrete however, will require much

more pressure to keep the bit from spinning. Be sure to use carbide tip bits for all masonry work.

Before using an accessory, be certain that its maximum safe operating speed is not exceeded by the nameplate speed of the tool. Do not exceed the recommended wheel diameter.

### RUNNING NUTS AND BOLTS

Variable speed control must be used with caution for driving nuts and bolts with socket set attachments. The technique is to start slowly, increasing speed as the nut or bolt runs down. Set the nut or bolt snugly by slowing the drill to a stop. If this procedure is not followed, the tool will have a tendency to torque or twist in your hands when the nut or bolt seats.

---

### INSERTING AND RELEASING BATTERY PACK

Release battery pack from tool by pressing on both sides of the battery release tabs and pull downwards.

To insert battery, align battery and slide battery pack into tool until it locks into position. Do not force.

---

### IMPORTANT CHARGING NOTES

1. The charger was designed to fast charge the battery only when the battery temperature is between 32°F (0°C) and 113°F (45°C). If the battery pack is too hot or too cold, the charger will not fast charge the battery. (This may happen if the battery pack is hot from heavy use). When the battery temperature returns to between 32°F (0°C) and 113°F (45°C), the charger will automatically begin charging.

2. A substantial drop in operating time per charge may mean that the battery pack is nearing the end of its life and should be replaced.

3. Remember to unplug charger during storage period.

4. If battery does not charge properly:

a. Check for voltage at outlet by plugging in some other electrical device.

b. Check to see if outlet is connected to a light switch which turns power "off" when lights are turned off.

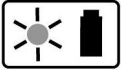
c. Check battery pack terminals for dirt. Clean with cotton swab and alcohol if necessary.

d. If you still do not get proper charging, take or send tool, battery pack and charger to your local Bosch Service Center. See "Tools, Electric" in the Yellow Pages for names and addresses.

**Note:** Use of chargers or battery packs not sold by Bosch will void the warranty.

## CHARGER INDICATORS, SYMBOLS AND MEANING

If the indicator lights are "OFF", the charger is not receiving power from power supply outlet.



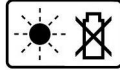
If the green indicator light is "ON", the charger is plugged in but the battery pack is not inserted, or the battery pack is fully charged and is being trickle charged.



If the green indicator light is "BLINKING", the battery pack is being fast-charged. Fast-charging will automatically stop when the battery pack is fully charged.



If the red indicator light is "ON", the battery pack is too hot or cold for fast-charging. The charger will switch to trickle charge, until a suitable temperature is reached, at which time the charger will switch automatically to fast-charging.



If the red indicator light is "BLINKING", the battery pack cannot accept a charge or the contacts of the charger or battery pack are contaminated. Clean the contacts of the charger or battery pack only as directed in these operating instructions or those supplied with your tool or battery pack.

## CHARGING BATTERY PACK (BC430 30 MINUTE CHARGER)

Plug charger cord into your standard power outlet, then insert battery pack into charger (Fig. 7).

The charger's green indicator light will begin to "BLINK". This indicates that the battery is receiving a fast charge. Fast-charging will automatically stop when the battery pack is fully charged.

When the indicator light stops "BLINKING" (and becomes a steady green light) fast charging is complete.

The battery pack may be used even though the light may still be blinking. The light may require more time to stop blinking depending on temperature. When you begin the

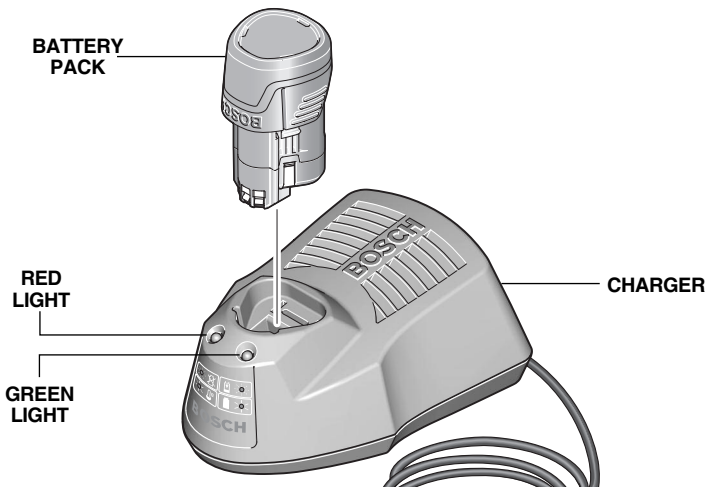
charging process of the battery pack, a steady red light could also mean the battery pack is too hot or too cold.

The purpose of the green light is to indicate that the battery pack is fast-charging. It does not indicate the exact point of full charge. The light will stop blinking in less time if the battery pack was not completely discharged.

When charging several batteries in sequence, the charge time may slightly increase.

When the battery pack is fully charged, unplug the charger (unless you're charging another battery pack) and slip the battery pack back into the tool.

FIG. 7



## Maintenance

### Service

**⚠ WARNING** **NO USER SERVICE-ABLE PARTS INSIDE.** Preventive maintenance performed by unauthorized personnel may result in misplacing of internal wires and components which could cause serious hazard. We recommend that all tool service be performed by a Bosch Factory Service Center or Authorized Bosch Service Station. **SERVICEMEN:** Disconnect tool and/or charger from power source before servicing.

### BATTERIES

**Be alert for battery packs that are nearing their end of life.** If you notice decreased tool performance or significantly shorter running time between charges then it is time to replace the battery pack. Failure to do so can cause the tool to operate improperly or damage the charger.

### TOOL LUBRICATION

Your Bosch tool has been properly lubricated and is ready for use.

### D.C. MOTORS

The motor in your tool has been engineered for many hours of dependable service. To maintain peak efficiency of the motor, we recommend it be examined every six months. Only a genuine Bosch replacement motor specially designed for your tool should be used.

### Cleaning

**⚠ WARNING** **To avoid accidents, always disconnect the tool and/or charger from the power supply before cleaning.** The tool may be cleaned most effectively with compressed dry air. **Always wear safety goggles when cleaning tools with compressed air.**

Ventilation openings and switch levers must be kept clean and free of foreign matter. Do not attempt to clean by inserting pointed objects through opening.

**⚠ CAUTION** **Certain cleaning agents and solvents damage plastic parts.** Some of these are: gasoline, carbon tetrachloride, chlorinated cleaning solvents, ammonia and household detergents that contain ammonia.

## Accessories

**⚠ WARNING** **If an extension cord is necessary, a cord with adequate size conductors that is capable of carrying the current necessary for your tool must be used.** This will prevent excessive voltage drop, loss of power or overheating. Grounded tools must use 3-wire extension cords that have 3-prong plugs and receptacles.

**NOTE:** The smaller the gauge number, the heavier the cord.

**RECOMMENDED SIZES OF EXTENSION CORDS  
120 VOLT ALTERNATING CURRENT TOOLS**

Tool's Ampere Rating	Cord Size in A.W.G.				Wire Sizes in mm <sup>2</sup>			
	Cord Length in Feet				Cord Length in Meters			
	25	50	100	150	15	30	60	120
3-6	18	16	16	14	0.75	0.75	1.5	2.5
6-8	18	16	14	12	0.75	1.0	2.5	4.0
8-10	18	16	14	12	0.75	1.0	2.5	4.0
10-12	16	16	14	12	1.0	2.5	4.0	—
12-16	14	12	—	—	—	—	—	—

## Consignes générales de sécurité

**AVERTISSEMENT** Veuillez lire et comprendre toutes les consignes. Si on n'observe pas toutes les consignes décrites ci-dessous, il y a risque de choc électrique, d'incendie et/ou de blessures corporelles graves. Dans toutes les mises en garde ci-dessous, le terme « outil électroportatif » se rapporte à des outils branchés sur le secteur (avec fil) ou à des outils alimentés par piles (sans fil).

### CONSERVEZ CES CONSIGNES

#### Sécurité du lieu de travail

**Maintenez le lieu de travail propre et bien éclairé.** Les risques d'accident sont plus élevés quand on travaille dans un endroit encombré ou sombre.

**N'utilisez pas d'outils électroportatifs dans des atmosphères explosives, comme par exemple en présence de gaz, de poussières ou de liquides inflammables.** Les outils électroportatifs produisent des étincelles qui risquent d'enflammer les poussières ou les vapeurs.

**Éloignez les enfants et les visiteurs quand vous vous servez d'un outil électroportatif.** Vous risquez une perte de contrôle si on vous distrait.

#### Sécurité électrique

**Les fiches des outils électroportatifs doivent correspondre à la prise. Il ne faut absolument jamais modifier la fiche. N'utilisez pas d'adaptateur de prise avec des outils électroportatifs munis d'une fiche de terre.** Le risque de choc électrique est moindre si on utilise une fiche non modifiée sur une prise qui lui correspond.

**Évitez tout contact du corps avec des surfaces reliées à la terre tels que tuyaux, radiateurs, gazinières ou réfrigérateurs.** Le risque de choc électrique augmente si votre corps est relié à la terre.

**N'exposez pas les outils électroportatifs à la pluie ou à l'humidité.** Si de l'eau pénètre dans un outil électroportatif, le risque de choc électrique augmente.

**Ne maltraitez pas le cordon. Ne vous en servez jamais pour transporter l'outil électroportatif, pour le tirer ou pour le débrancher. Éloignez le cordon de la chaleur, des huiles, des arêtes coupantes ou des pièces mobiles.** Les cordons abîmés ou emmêlés augmentent les risques de choc électrique.

**Si vous utilisez un outil électroportatif à l'extérieur, employez une rallonge conçue pour l'extérieur.** Ces rallonges sont faites pour l'extérieur et réduisent le risque de choc électrique.

**N'utilisez pas un outil conçu uniquement pour le C.A. sur une alimentation en C.C.** Même si l'outil semble fonctionner, les composants électriques d'un outil prévu pour le C.A. tomberont probablement en panne et risquent de créer un danger pour l'utilisateur.

**S'il est nécessaire d'utiliser l'outil dans un lieu**

**humide, il faut l'alimenter par l'intermédiaire d'un disjoncteur différentiel de fuite à la terre (DDFT).** L'emploi d'un DDFT et de dispositifs de protection personnelle tels que gants et chaussures d'électricien en caoutchouc améliorent votre sécurité personnelle.

#### Sécurité personnelle

**Restez concentré, faites attention à ce que vous faites, et servez-vous de votre bon sens lorsque vous utilisez un outil électroportatif. N'employez pas d'outils électroportatifs quand vous êtes fatigué ou sous l'emprise de drogues, d'alcool ou de médicaments.** Quand on utilise des outils électroportatifs, il suffit d'un moment d'inattention pour causer des blessures corporelles graves.

**Utilisez des équipements de sécurité. Portez toujours une protection oculaire.** Si les conditions le demandent, il faut porter un masque à poussière, des chaussures de sécurité antidérapantes, un casque de chantier ou une protection auditive pour réduire le risque de blessure corporelle.

**Évitez les démarrages intempestifs. Assurez-vous que l'interrupteur est en position arrêt (OFF) avant de brancher l'outil.** Transporter un outil électroportatif avec le doigt sur la gâchette ou le brancher quand l'interrupteur est en position "marche" (ON) présente des risques d'accident.

**Enlevez toutes les clés de réglage avant de mettre l'outil électroportatif en marche.** Si on laisse une clé sur une pièce tournante de l'outil électroportatif, il y a risque de blessure corporelle.

**Ne vous penchez pas. Conservez toujours une bonne assise et un bon équilibre.** Ceci vous permettra de mieux maîtriser l'outil électroportatif dans des situations inattendues.

**Habillez-vous de manière appropriée. Ne portez pas de vêtements amples ou de bijoux. Attachez les cheveux longs. N'approchez pas les cheveux, les vêtements ou les gants des pièces en mouvement.** Les vêtements amples, les bijoux ou les cheveux longs risquent d'être happés par les pièces en mouvement.

**Si l'outil est muni de dispositifs permettant le raccordement d'un système d'aspiration et de collecte des poussières, assurez-vous que ces dispositifs sont raccordés et utilisés correctement.** L'utilisation de ces dispositifs peut permettre de réduire les dangers liés à la poussière.

**Maintenez les poignées sèches et exemptes d'huile et de graisse.** On ne peut pas maîtriser un outil électroportatif en toute sécurité quand on a les mains glissantes.

### Utilisation et entretien des outils électroportatifs

**Ne forcez pas sur l'outil électroportatif. Utilisez l'outil électroportatif qui convient à la tâche à effectuer.** L'outil qui convient à la tâche fait un meilleur travail et est plus sûr à la vitesse pour lequel il a été conçu.

**Ne vous servez pas de l'outil électroportatif si son interrupteur ne parvient pas à le mettre en marche ou à l'arrêter.** Tout outil électroportatif qui ne peut pas être commandé par son interrupteur est dangereux et doit être réparé.

**Débranchez la fiche de la prise ou enlevez le bloc-pile de l'outil électroportatif avant tout réglage, changement d'accessoires ou avant de ranger l'outil électroportatif.** De telles mesures de sécurité préventive réduisent le risque de démarrage intempestif de l'outil électroportatif.

**Rangez les outils électroportatifs dont vous ne vous servez pas hors de portée des enfants et ne permettez pas à des personnes qui ne connaissent pas l'outil électroportatif ou qui ignorent ces consignes de s'en servir.** Les outils électroportatifs sont dangereux dans les mains d'utilisateurs inexpérimentés.

**Entretenez les outils électroportatifs. Vérifiez que les pièces mobiles sont alignées correctement et ne coincent pas. Vérifiez qu'il n'y a pas de pièces cassées ou d'autre circonstance qui risquent d'affecter le fonctionnement de l'outil électroportatif. Si l'outil est abîmé, faites-le réparer avant de l'utiliser.** De nombreux accidents sont causés par des outils électroportatifs mal entretenus.

**Maintenez les outils coupants affûtés et propres.** Les outils coupants entretenus correctement et dotés de bords tranchants affûtés sont moins susceptibles de coincer et sont plus faciles à maîtriser.

**Utilisez l'outil électroportatif, les accessoires, les embouts etc. selon ces consignes et de la manière prévue pour chaque type particulier d'outil électroportatif en tenant compte des conditions de travail et de la tâche à accomplir.** L'emploi d'outils électroportatifs pour des tâches différentes de celles pour lesquelles ils ont été prévus peut résulter en une situation dangereuse.

**Utilisez des brides ou d'autres moyens pratiques de brider ou de supporter la pièce sur une plate-forme stable.** Tenir la pièce à la main ou contre le corps est instable et risque de résulter en une perte de contrôle.

### Utilisation et entretien des outils à piles

**Veillez à ce que l'interrupteur soit dans la position de fermeture avant d'insérer le bloc-piles.** L'insertion d'un bloc-piles dans un outil électroportatif dont l'interrupteur est dans la position de marche est une invite aux accidents.

**Rechargez les piles uniquement avec le chargeur spécifié par le fabricant.** Un chargeur qui convient à un type de bloc-piles peut entraîner un risque d'incendie quand il est utilisé avec un autre bloc-piles.

**Utilisez des outils alimentés par piles uniquement avec les blocs-piles spécifiquement désignés pour eux.** L'utilisation de tout autre bloc-piles peut créer un risque de blessures et d'incendie.

**Lorsque le bloc-piles n'est pas utilisé, gardez-le à distances d'autres objets métalliques tels que des trombones, des pièces de monnaie, des clés, des clous, des vis ou de tout autre objet métallique pouvant faire une connexion entre une borne et une autre.** Court-circuiter les bornes des piles peut causer des brûlures ou un incendie.

**Dans des conditions abusives, du liquide peut être éjecté de la pile ; dans un tel cas, évitez tout contact avec ce liquide. Si un contact se produit accidentellement, rincez avec de l'eau. Si le liquide entre en contact avec les yeux, consultez un médecin.** Du liquide éjecté de la pile peut causer des irritations ou des brûlures.

### Entretien

**Faites réparer votre outil électroportatif par un agent de service qualifié n'utilisant que des pièces de rechange identiques.** Ceci assure que la sécurité de l'outil électroportatif est préservée.

**Créez un agenda d'entretien périodique pour votre outil. Quand vous nettoyez un outil, faites attention de n'en démonter aucune pièce car il est toujours possible de mal remonter ou de pincer les fils internes ou de remonter incorrectement les ressorts de rappel des capots de protection.** Certains agents de nettoyage tels que l'essence, le tétrachlorure de carbone, l'ammoniaque, etc. risquent d'abîmer les plastiques.

**CONSERVEZ CES INSTRUCTIONS**

## Consignes de sécurité pour perceuses/tournevis sans cordon

**Tenez l'outil par les surfaces isolées de préhension en exécutant une opération au cours de laquelle l'outil de coupe peut venir en contact avec les fils cachés.** Le contact avec un fil sous tension rendra les pièces métalliques exposées de l'outil sous tension et causera des chocs à l'opérateur.

**Utilisez des brides ou d'autres moyens pratiques de brider ou de supporter la pièce sur une plate-forme stable.** Tenir la pièce à la main ou contre le corps est instable et risque de résulter en une perte de contrôle.

Ne percez, fixez et ne rentrez pas dans des murs existants ou autres endroits aveugles pouvant abriter des fils électriques. Si cette situation est inévitable, débranchez tous les fusibles ou les disjoncteurs alimentant ce site.

**Tenez toujours l'outil à deux mains.** Si le foret venait à se coincer, vous serez plus à même de maîtriser le couple de réaction ou le rebond de l'outil.

**Portez toujours des lunettes à coques latérales ou des lunettes de protection en utilisant cet outil.** Utilisez un respirateur ou un masque anti-poussières pour les applications produisant de la poussière.

**Assujettissez l'ouvrage à percer. Ne le tenez jamais dans votre main ou par-dessus vos jambes.** Un support instable peut faire gripper le foret, provoquant ainsi une perte de contrôle et des blessures.

**Débranchez le bloc-pile de l'outil ou placez l'interrupteur à la position de blocage ou d'arrêt avant d'effectuer tout assemblage ou réglage ou de changer les accessoires.** Ces mesures de sécurité préventives réduisent le risque d'une mise en marche accidentelle de l'outil.

**Placez-vous de manière à éviter d'être pris entre l'outil ou la poignée latérale et les murs ou les montants.** Si le foret se coince ou gripe dans l'ouvrage, le couple de réaction de l'outil pourrait écraser votre main ou votre pied.

**Si le foret gripe dans l'ouvrage, relâchez la gâchette immédiatement, inversez le sens de rotation et appuyez lentement sur la gâchette pour faire ressortir le foret.** Soyez prêt à un fort couple de réaction. Le corps de la perceuse aura tendance à tordre en sens opposé à mesure que le foret tourne.

**Ne saisissez pas l'outil et ne placez vos mains trop près du foret ou du mandrin en rotation.** Votre main pourrait être lacérée.

**En installant un foret, insérez la tige de ce dernier bien à l'intérieur de la pince du mandrin.** Si le foret n'est pas inséré assez profondément, la prise de la pince sur le foret est réduite et la perte de contrôle est accrue. Après avoir inséré le foret, tirez sur celui-ci pour vous assurer qu'il est bien verrouillé.

**N'utilisez pas de forets et d'accessoires émoussés ou endommagés.** Les forets émoussés ou endommagés ont tendance à gripper dans l'ouvrage.

**En retirant le foret de l'outil, évitez tout contact avec la peau et utilisez des gants protecteurs appropriés en saisissant le foret ou l'accessoire.** Les accessoires peuvent être chauds après une utilisation prolongée.

**Assurez-vous que les clés de serrage et de réglage sont retirées de la perceuse avant de mettre l'outil en marche.** Les clés de serrage ou de réglage peuvent être projetées à grande vitesse et frapper une personne présente ou vous-même.

**Ne faites pas fonctionner la perceuse en la portant à votre côté.** Un foret en rotation pourrait s'emmêler à vos vêtements, ce qui pourrait causer des blessures.

**AVERTISSEMENT** Les travaux à la machine tel que ponçage, sciage, meulage, perçage et autres travaux du bâtiment peuvent créer des poussières contenant des produits chimiques qui sont des causes reconnues de cancer, de malformation congénitale ou d'autres problèmes reproductifs. Ces produits chimiques sont, par exemple :

- Le plomb provenant des peintures à base de plomb,
- Les cristaux de silices provenant des briques et du ciment et d'autres produits de maçonnerie, et
- L'arsenic et le chrome provenant des bois traités chimiquement.

Le niveau de risque dû à cette exposition varie avec la fréquence de ces types de travaux. Pour réduire l'exposition à ces produits chimiques, il faut travailler dans un lieu bien ventilé et porter un équipement de sécurité approprié tel que certains masques à poussière conçus spécialement pour filtrer les particules microscopiques.



## CHARGEUR DE PILE

**Avant d'utiliser le chargeur de pile, lisez toutes les consignes et tous les marquages d'avertissement dans (1) le chargeur de pile, (2) le bloc-pile et (3) le produit utilisant la pile.**

**N'utilisez que le chargeur qui accompagnait votre produit ou remplacement direct, comme indiqué dans le catalogue ou ce manuel.** Ne substituez aucun autre chargeur. N'utiliser que les chargeurs approuvés par Bosch avec votre produit. Voir Description fonctionnelle et Spécifications.

**Ne désassemblez pas le chargeur et ne l'utilisez pas s'il a reçu un choc violent, s'il est tombé ou s'il a été endommagé par ailleurs. Remplacez immédiatement les cordons ou les fiches abîmés.** Un remontage incorrect ou des dommages peuvent provoquer un incendie ou des secousses électriques.

**Ne rechargez pas la pile dans un environnement mouillé ou humide. N'exposez pas le chargeur à la pluie ou la neige. Si le boîtier de la pile est fissuré ou endommagé par ailleurs, ne l'insérez pas dans le chargeur.** Il pourrait y avoir un incendie ou un court-circuit de pile.

**Ne charger que des piles rechargeables approuvées par Bosch.** Voir Description fonctionnelle et Spécifications. Les autres types de piles peuvent éclater causant ainsi des blessures et des dommages.

**Chargez le bloc-pile à des températures de plus de 0 degrés C (+32°F) et de moins de 45 degrés C**

**(+113°F). Rangez l'outil et le bloc-pile à des endroits dont la température ne dépasse pas 49 degrés C (+120°F).** Ceci est important pour prévenir des dommages considérables aux éléments des piles.

**Il peut y avoir une fuite de pile dans des conditions extrêmes d'utilisation ou de température. Évitez tout contact avec la peau et les yeux.** Le liquide de pile est caustique et pourrait causer des brûlures chimiques aux tissus. Si le liquide vient en contact avec la peau, lavez rapidement à l'eau savonneuse. Si le liquide vient en contact avec les yeux, rincez-les à l'eau pendant au moins 10 minutes et sollicitez des soins médicaux.

**Posez le chargeur sur une surface plate ininflammable et à distance de matériaux inflammables lorsqu'on recharge un bloc-piles.** Le chargeur et le bloc-piles s'échauffent pendant la charge. Le coussinet de mousse souple et autres surfaces isolantes empêchent la circulation normale de l'air, ce qui peut provoquer une surchauffe du chargeur et du bloc-piles. S'il y a dégagement de fumée ou si le boîtier fond, débranchez le chargeur immédiatement et n'utilisez ni le chargeur, ni le bloc-piles.

**L'utilisation d'un accessoire non recommandé ni vendu par Bosch peut causer des risques d'incendie, de chocs électriques ou de lésions corporelles.**

## ENTRETIEN DES PILES

### **▲ AVERTISSEMENT**

**Lorsque les piles ne sont pas dans l'outil ou le chargeur, gardez-les à l'écart d'objets métalliques.** Ainsi, pour éviter un court-circuitage des bornes, **NE PLACEZ PAS** les piles dans la boîte à outils ou dans la

poche avec des clous, des vis, des clés, etc. Ceci peut provoquer un incendie ou des blessures.

**NE METTEZ PAS LES PILES AU FEU ET NE LES EXPOSEZ PAS À UNE CHALEUR ÉLEVÉE.** Elles peuvent exploser.

## MISE AU REBUT DES PILES



### AVERTISSEMENT

**Ne tentez pas de désassembler le bloc-piles ou d'enlever tout composant faisant saillie des bornes de piles, ce qui peut provoquer un incendie ou des blessures.** Avant la mise au rebut, protégez les bornes exposées à l'aide d'un ruban isolant épais pour prévenir le court-circuitage.

### PILES LITHIUM-ION

Si le produit est équipé d'une pile lithium-ion, la pile doit être ramassée, recyclée ou mise au rebut d'une manière qui ne soit pas nocive pour l'environnement.



“Le sceau RBRC de recyclage des piles, homologué par l'EPA (Agence pour la protection de l'environnement des États-Unis), qui se trouve sur les piles au lithium-ion (Li-ion) indique que Robert Bosch Tool Corporation

participe volontairement à un programme industriel de ramassage et de recyclage de ces piles au terme de leur vie utile, pourvu qu'elles soient mises hors service aux États-Unis ou au Canada. Le programme du RBRC offre une alternative pratique à la mise des piles au Li-ion usées au rebut ou au ramassage d'ordures municipal, ce qui pourrait être interdit dans votre région.

Veuillez appeler le 1-800-8-BATTERY pour obtenir de plus amples renseignements sur le recyclage des piles au Li-ion et sur les restrictions ou interdictions de mise au rebut qui s'appliquent à votre région ou renvoyez vos piles à un Centre de Service Skil/Bosch/Dremel pour recyclage. La participation de Robert Bosch Tool Corporation à ce programme s'insère dans le contexte de notre engagement à préserver notre environnement et à conserver nos ressources naturelles.”

## Symboles

**IMPORTANT** : Certains des symboles suivants peuvent être utilisés sur votre outil. Veuillez les étudier et apprendre leur signification. Une interprétation appropriée de ces symboles vous permettra d'utiliser l'outil de façon plus efficace et plus sûre.

Symbole	Nom	Désignation/Explication
V	Volts	Tension (potentielle)
A	Ampères	Courant
Hz	Hertz	Fréquence (cycles par seconde)
W	Watt	Puissance
kg	Kilogrammes	Poids
min	Minutes	Temps
s	Secondes	Temps
∅	Diamètre	Taille des mèches de perceuse, meules, etc.
$n_0$	Vitesse à vide	Vitesse de rotation, à vide
.../min	Tours ou mouvement alternatif par minute	Tours, coups, vitesse en surface, orbites, etc., par minute
0	Position d'arrêt	Vitesse zéro, couple zéro ...
1, 2, 3, ... I, II, III, ...	Réglages du sélecteur	Réglages de vitesse, de couple ou de position. Un nombre plus élevé signifie une vitesse plus grande.
	Sélecteur variable à l'infini avec arrêt	La vitesse augmente depuis le réglage 0
	Flèche	Action dans la direction de la flèche
	Courant alternatif	Type ou caractéristique du courant
	Courant continu	Type ou caractéristique du courant
	Courant alternatif ou continu	Type ou caractéristique du courant
	Construction classe II	Désigne des outils construits avec double isolation
	Borne de terre	Borne de mise à la terre
	Symbole d'avertissement	Alerte l'utilisateur aux messages d'avertissement
	Sceau Li-ion RBRC	Désigne le programme de recyclage des piles Li-ion



Ce symbole signifie que cet outil est approuvé par Underwriters Laboratories.



Ce symbole signifie que cet outil est approuvé conformément aux normes canadiennes par Underwriters Laboratories.



Ce symbole signifie que cet outil se conforme aux normes mexicaines NOM.



Ce symbole signifie que cet outil est approuvé par l'Association canadienne de normalisation.



Ce symbole signifie que cet outil est approuvé par Underwriters Laboratories et qu'il a été homologué selon les normes canadiennes par Underwriters Laboratories.

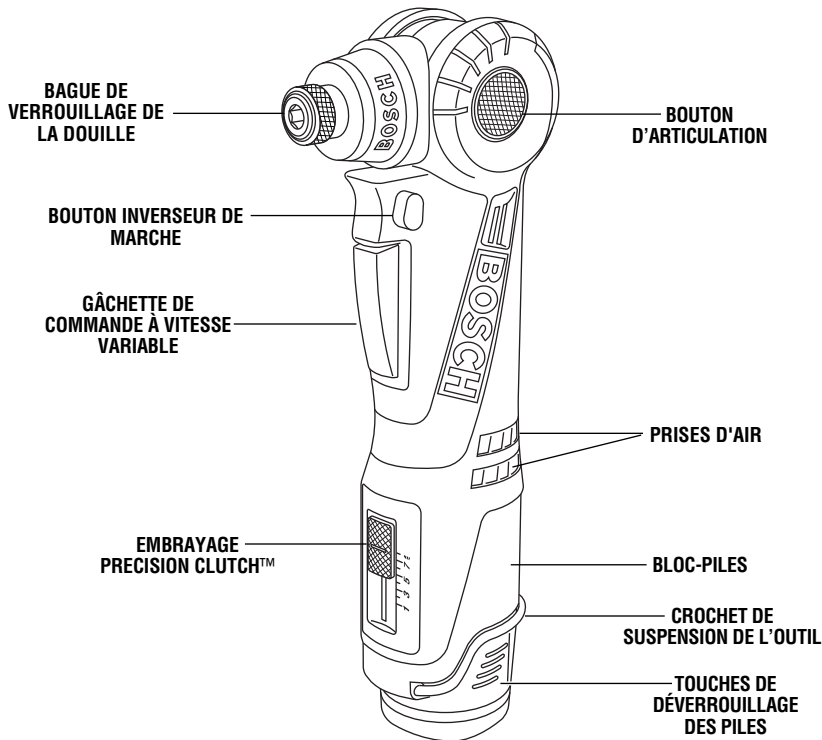
## Description fonctionnelle et spécifications

### **AVERTISSEMENT**

Débranchez le bloc-pile de l'outil ou placez l'interrupteur à la position de blocage ou d'arrêt avant d'effectuer tout assemblage ou réglage ou de changer les accessoires. Ces mesures de sécurité préventives réduisent le risque d'une mise en marche accidentelle de l'outil.

## Perceuses/tournevis sans cordon

**FIG. 1**



### **Numéro de modèle**

Tension nominale

Régime à vide

Temps de Charge

### **Capacités maximales**

Capacité de la douille

Perçage du bois

Tailles de vis

### **Bloc piles**

### **Chargeur**

Tension nominale

PS10

10.8V/12V  $\approx$  MAX

$n_0$  600/min

30 minutes

Queue hexagonale de 1/4 po  
avec gorge de blocage

1/2 po (12.5 mm)

1/4 po (6 mm)

BAT411

BC430

120 V  $\sim$  60 Hz

## Consignes de fonctionnement

L'outil perceuse/tournevis sans cordon Bosch modèle PS10 possède une bague pouvant recevoir uniquement des queues hexagonales standard de 1/4 po avec gorge de blocage. La capacité bas régime de ce modèle ne constitue pas une lacune. Au contraire, le bas régime signifie un couple élevé et le couple élevé est un avantage très net pour percer et visser efficacement. Le bas régime permet également un plus grand contrôle pour empêcher que la vis ne foire et que la surface de travail soit abîmée.

### BAGUE DE VERROUILLAGE DE LA DOUILLE

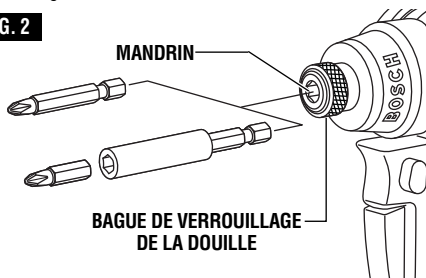
#### **AVERTISSEMENT**

Pour éviter de perdre le contrôle du foret, assurez-vous qu'il est bien verrouillé en tirant dessus après l'avoir inséré dans la bague.

Votre outil est muni d'une bague de verrouillage de la douille à ouverture rapide. Pour insérer un accessoire, il suffit de tirer la bague vers l'avant, d'insérer l'accessoire dans la bague et d'ouvrir la bague (Fig. 2).

Pour retirer un accessoire, tirez la bague de verrouillage de la douille vers l'avant et retirez-le.

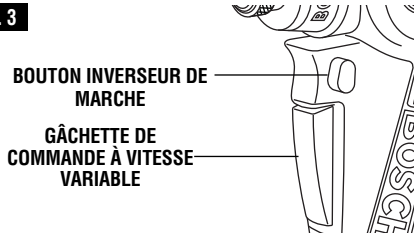
FIG. 2



### VITESSE VARIABLE COMMANDÉE PAR GÂCHETTE

Votre outil est équipée d'une gâchette à vitesse variable. La vitesse de la outil peut être réglée de zéro au régime maximum spécifié sur la plaque signalétique. La vitesse s'ajuste par la pression que vous exercez sur la gâchette. Exercez plus de pression pour augmenter la vitesse, et relâchez la pression pour diminuer la vitesse (Fig. 3).

FIG. 3



### BOUTON INVERSEUR DE MARCHE

Le bouton inverseur de marche est situé au-dessus de la gâchette et il sert à inverser le sens de marche du foret. Pour la rotation avant (le mandrin étant dirigé en sens opposé à vous), déplacez le bouton à l'extrême gauche.

Pour la rotation inverse, déplacez le bouton à l'extrême droite (Fig. 3).

### FREIN

Le relâchement de la gâchette active le frein qui immobilise le mandrin en rapidité, ce qui est surtout pratique pour l'enfoncement et l'enlèvement répétitifs des vis.

### EMBAYAGE PRECISION CLUTCH™


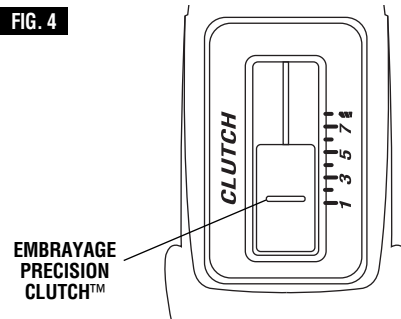
Votre outil est muni d'un embrayage à 7 réglages. Le couple de sortie variera en fonction de la position du bouton, 1 étant le couple le plus bas, 7 le couple le plus élevé. La position de perceuse  verrouillera l'embrayage pour permettre le perçage ou le vissage dans des matériaux difficiles. Une fois l'embrayage activé, l'utilisateur sentira plusieurs pulsations au niveau de la gâchette, et l'outil s'arrêtera. Il faudra relâcher la gâchette pour régler l'embrayage à nouveau (Fig. 4).

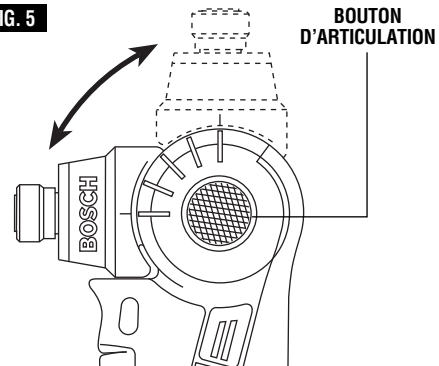
FIG. 4



### BOUTON D'ARTICULATION

Votre outil est également muni d'une tête d'articulation à 5 positions. Pour la régler, appuyez sur le bouton d'articulation et placez la tête dans la position voulue (Fig. 5).

FIG. 5



## Consignes de fonctionnement

Vous prolongerez la durée de vos forets et accomplirez un travail plus net si vous mettez toujours le foret en contact avec le matériau avant d'appuyer sur la gâchette. Durant le fonctionnement, tenez l'outil fermement et exercez une pression légère et constante. Une trop grande pression à basse vitesse bloquera l'outil. Une pression insuffisante empêchera le foret de couper et causera une friction excessive en glissant par-dessus la surface. L'outil et le foret peuvent ainsi être abîmés.

### PERÇAGE À VITESSE VARIABLE

La fonction de vitesse variable commandée par gâchette éliminera la nécessité de poinçonner un trou central dans les matériaux durs. La gâchette à vitesse variable vous permet d'augmenter lentement le régime. En utilisant une vitesse lente au départ, vous pouvez empêcher le foret d'« errer ». Vous pouvez augmenter la vitesse à mesure que le foret « mord » dans le matériau en appuyant sur la gâchette.

### ENFONCEMENT À VITESSE VARIABLE

Les perceuses à vitesse variable peuvent également servir de tournevis motorisé en utilisant un foret de tournevis en mode de perçage. La technique consiste à commencer lentement, puis à augmenter la vitesse à mesure que la vis s'enfonce. Posez la vis de manière à obtenir un ajustement doux en ralentissant jusqu'à l'arrêt. Avant d'enfoncer des vis, il faut percer des trous de positionnement et de dégagement.

### CROCHET DE SUSPENSION DE L'OUTIL

**AVERTISSEMENT** Pour éviter les blessures corporelles, ne vous servez pas du crochet de suspension de l'outil comme d'une longe. Le crochet ne doit être utilisé que pour le rangement de l'outil.

### FIXATION À L'AIDE DE VIS

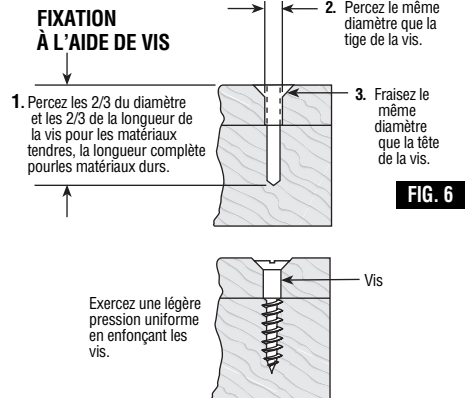
La procédure illustrée à la Fig. 6 vous permettra de fixer des matériaux ensemble à l'aide de votre perceuse/tournevis sans cordon sans dénuder, fendre ni séparer le matériau.

Fixez d'abord les pièces ensemble à l'aide d'une bride, et percez le premier trou aux 2/3 du diamètre de la vis. Si le matériau est tendre, percez uniquement les 2/3 de la longueur voulue. Si le matériau est dur, percez toute la longueur.

Détachez ensuite les pièces et percez le deuxième trou du même diamètre que la tige de la vis dans la première pièce ou la pièce supérieure de bois.

En troisième lieu, si une vis à tête plate est employée, fraisez le trou pour mettre la vis de niveau avec la surface. Puis, exercez tout simplement une pression uniforme en enfonçant la vis. Le trou de dégagement de

la tige de la vis dans la première pièce permet à la tête de la vis de tirer les pièces fermement ensemble.



### FORETS

Inspectez toujours les forets pour y relever toute usure excessive. N'utilisez que des forets affilés et en bon état.

**FORETS À SIMPLE SPIRALE :** Offerts avec tiges droites et réduites pour le perçage du bois et le perçage non exigeant des métaux. Les forets à grande vitesse coupent plus rapidement et durent plus longtemps sur les matériaux durs.

**FORETS À POINTE EN CARBURE :** S'utilisent pour percer la pierre, le béton, le plâtre, le ciment et les autres matériaux non métalliques exceptionnellement durs. Exercez une forte pression continue d'alimentation lorsque vous employez des forets à pointe en carbure.

### PERÇAGE DU BOIS

Assurez-vous que le matériau est assujéti par brides de fixation ou ancré fermement. Exercez toujours une

pression en ligne droite avec le foret. Maintenez suffisamment de pression pour que le foret continue à « mordre ».

Vous pouvez utiliser des forets à simple spirale pour percer des trous dans le bois. Ces forets peuvent surchauffer à moins que vous ne les retiriez fréquemment pour enlever les copeaux sur les cannelures.

Utilisez un bloc d'appui en bois pour les matériaux susceptibles de voler en éclats tels que les matériaux minces.

Vous percerez un trou plus net si vous relâchez la pression immédiatement avant que le foret ne traverse le bois. Terminez ensuite le trou à l'arrière.

### PERÇAGE DES MÉTAUX

Il existe deux règles pour percer les matériaux durs. En premier lieu, plus le matériau est dur, plus il vous faut exercer de pression sur l'outil. En deuxième lieu, plus le matériau est dur, plus vous devez percer lentement. Voici quelques conseils pour percer les métaux. Lubrifiez la pointe du foret à l'occasion à l'aide d'huile de coupe, sauf lorsque vous percez des métaux tendres tels que l'aluminium, le cuivre ou la fonte de fer. Si le trou à percer est assez grand, percez d'abord un plus petit trou, puis agrandissez-le aux dimensions nécessaires. C'est souvent plus rapide à long terme. Maintenez suffisamment de pression pour faire en sorte que le foret ne fasse pas seulement tourner dans le trou. Ceci éliminera le foret et réduira considérablement sa vie utile.

### PERÇAGE DE LA MAÇONNERIE

Les matériaux tendres tels que la brique sont relativement faciles à percer. Cependant, le béton nécessitera une pression beaucoup plus grande pour

empêcher le foret de tourner. Veillez à utiliser des forets à pointe en carbure pour tout le travail de maçonnerie.

**▲ AVERTISSEMENT** Avant d'utiliser un accessoire, assurez-vous que sa vitesse maximale de fonctionnement sûr n'est pas dépassée par la vitesse indiquée sur la plaque signalétique de l'outil. Ne dépassez pas le diamètre recommandé de la meule.

### POSE DES ÉCROUS ET DES BOULONS

La commande à vitesse variable doit être utilisée soigneusement pour poser des écrous et des boulons avec des accessoires de douille. La technique consiste à commencer lentement, puis à augmenter la vitesse à mesure que l'écrou ou le boulon s'enfonce. Posez l'écrou ou le boulon de manière à obtenir un ajustement doux en ralentissant la perceuse jusqu'à l'arrêt. Si cette technique n'est pas suivie, l'outil aura tendance à tordre dans vos mains lorsque l'écrou ou le boulon se calera.

### INSERTION ET RETRAIT DU BLOC-PILE

Enlevez le bloc-piles de l'outil en pinçant les deux côtés à la hauteur des touches de déverrouillage et en le tirant vers le bas.

Pour remettre le bloc dans l'outil, glissez-le dans l'ouverture jusqu'à ce qu'il se verrouille en place. Ne forcez pas outre mesure.

### REMARQUES IMPORTANTES CONCERNANT LA CHARGE

1. De même, le chargeur n'est destiné qu'à la charge rapide des bloc-piles dont la température se situe entre 0°C (32°F) et 45°C (113°F). Si le bloc-piles est trop chaud ou trop froid, la charge rapide est alors impossible. (Chose possible si le bloc-piles devient trop chaud à l'usage intensif). Quand la température du bloc-piles retourne entre 0°C (32°F) et 45°C (113°F), le chargeur rassumera automatiquement sa fonction.
2. Une diminution marquée de la réserve énergétique entre les charges peut signaler l'épuisement du bloc-piles et le besoin d'un remplacement.
3. N'oubliez pas de débrancher le chargeur durant la période de remisage.
4. Si le bloc-piles ne se charge pas normale-ment :

a. Vérifiez la présence de courant à la prise en y branchant un autre appareil électrique.

b. Vérifiez si la prise n'est pas raccordée conjointement à un interrupteur qui servirait à éteindre les lumières.

c. Vérifiez la propreté des bornes du bloc-piles. Nettoyez-les au besoin avec un bâtonnet imbibé d'alcool.

d. Si vous n'arrivez toujours pas à obtenir la charge satisfaisante, confiez l'outil, le bloc-piles et le chargeur à votre centre d'entretien Bosch habituel. Voir les noms et adresses des centres d'entretien sous la rubrique « Outils électriques » dans les pages jaunes de l'annuaire de téléphone.

**Remarque :** L'utilisation de chargeurs ou de bloc-piles non vendus par Bosch annule la garantie.

## TÉMOINS DE CHARGE, SYMBOLES ET SIGNIFICATION

Si le témoin lumineux vert est éteint, ceci signifie que le chargeur ne reçoit pas de courant de la prise de courant.



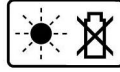
Si le voyant vert s'allume, le chargeur est branché mais le bloc-piles n'est pas en place ou le bloc-piles est pleinement chargé et ne reçoit qu'une charge de maintien.



Si le voyant vert « CLIGNOTE » pendant la charge rapide du bloc-piles. La charge rapide prend automatiquement fin dès que le bloc-piles est totalement chargé.



Si le voyant rouge est allumé, le bloc-piles est trop chaud ou trop froid pour prendre la charge rapide. Le chargeur adoptera la charge de maintien jusqu'à ce que la température se normalise, alors qu'il passera automatiquement à la charge rapide.



Si le voyant rouge « CLIGNOTE », cela signifie que le bloc-piles ne peut pas accepter une charge ou que les contacts du chargeur ou du bloc-piles sont souillés. Nettoyez les contacts du chargeur ou du bloc-piles conformément aux recommandations des présentes instructions ou celles qui accompagnaient l'outil ou le bloc-piles.

## CHARGEMENT DU BLOC-PILES (CHARGEUR 30 MINUTES BC430)

Branchez le cordon du chargeur dans votre prise de courant standard, insérez ensuite le bloc-pile dans le chargeur (Fig. 7).

Le témoin vert du chargeur commencera à CLIGNOTER, ce qui indique que la pile reçoit une charge rapide. La charge rapide s'arrêtera automatiquement lorsque le bloc-pile est à pleine charge.

Lorsque le témoin lumineux cesse de clignoter (et devient vert en continu), ceci signifie que la charge rapide est terminée.

On peut utiliser le bloc-pile même si le témoin clignote encore. Il peut falloir plus de temps pour que le témoin cesse de clignoter, suivant la température. Lorsque

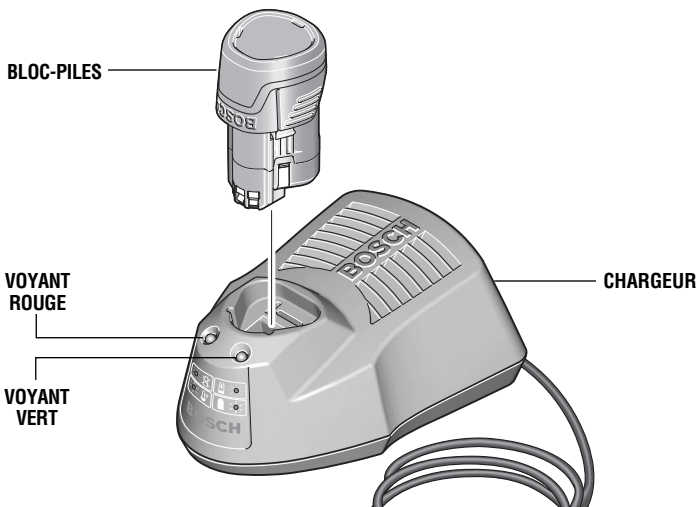
vous commencez le processus de charge du bloc-pile, un témoin rouge continu pourrait également signifier que le bloc-pile est trop chaud ou trop froid.

Le témoin vert a pour but d'indiquer que le bloc-pile est en charge rapide. Il n'indique pas le point exact de pleine charge. Le témoin cessera de clignoter en moins de temps si le bloc-pile n'était pas entièrement déchargé.

Lorsque plusieurs piles sont chargées l'une après l'autre, le temps de charge peut augmenter légèrement.

Lorsque le bloc-pile est entièrement chargé, débranchez le chargeur (à moins que vous ne chargiez un autre bloc-pile) et insérez le bloc-pile dans l'outil.

FIG. 7





## Entretien

### Service

**⚠ AVERTISSEMENT** IL N'EXISTE À L'INTÉRIEUR AUCUNE PIÈCE SUSCEPTIBLE D'ÊTRE ENTRETENUE PAR L'UTILISATEUR. L'entretien préventif exécuté par des personnes non autorisés peut entraîner un positionnement erroné des composants et des fils internes, ce qui peut présenter de graves dangers.

Nous recommandons de confier toute intervention d'entretien sur l'outil à un centre de service-usine Bosch ou à un centre de service après-vente Bosch agréé. TECHNICIENS : Débranchez l'outil et/ou le chargeur de la source de courant avant d'entretenir.

### PILES

**Faire attention aux blocs-piles qui approchent la fin de leur vie.** Si vous remarquez une diminution dans les performances de votre outil ou une durée de fonctionnement réduite de manière significative entre charges, il est temps de remplacer le bloc-piles. S'il n'est pas remplacé, il se peut qu'il endommage le chargeur ou que l'outil fonctionne incorrectement.

### GRAISSAGE DE L'OUTIL

Votre outil Bosch a été graissé de manière appropriée et il est prêt à l'usage.

### MOTEURS C.C.

Le moteur de votre outil a été conçu pour de nombreuses heures d'utilisation fiable. Pour maintenir l'efficacité maximale du moteur, nous recommandons de l'examiner tous les six mois. Seul un moteur de remplacement Bosch authentique, conçu spécialement pour votre outil, doit être utilisé.

### Nettoyage

**⚠ AVERTISSEMENT** Pour éviter les accidents, débranchez toujours l'outil et/ou le chargeur de la source de courant avant de nettoyer. La façon la plus efficace de nettoyer l'outil est à l'aide d'air sec comprimé. Portez toujours des lunettes de sécurité en nettoyant les outils à l'air comprimé.

Gardez les prises d'air et les interrupteurs propres et libres de débris. N'essayez pas de les nettoyer en introduisant des objets pointus dans leurs ouvertures.

**⚠ MISE EN GARDE** Certains agents de nettoyages et certains dissolvants abîment les pièces en plastique. Parmi ceux-ci se trouvent: l'essence, le tétrachlorure de carbone, les dissolvants de nettoyage chlorés, l'ammoniaque ainsi que les détergents domestiques qui en contiennent.

## Accessoires

**⚠ AVERTISSEMENT** Si un cordon de rallonge s'avère nécessaire, vous devez utiliser un cordon avec conducteurs de dimension adéquate pouvant porter le courant nécessaire à votre outil. Ceci préviendra une chute excessive de tension, une perte de courant ou une surchauffe. Les outils mis à la terre doivent utiliser des cordons de rallonge trifilaires pourvus de fiches à trois broches ainsi que des prises à trois broches.

**REMARQUE :** Plus le calibre est petit, plus le fil est gros.

### DIMENSIONS DE RALLONGES RECOMMANDÉES OUTILS 120 VOLTS COURANT ALTERNATIF

Intensité nominale de l'outil	Calibre A.W.G.				Calibre en mm <sup>2</sup>			
	Longueur en pieds				Longueur en mètres			
	25	50	100	150	15	30	60	120
3-6	18	16	16	14	0,75	0,75	1,5	2,5
6-8	18	16	14	12	0,75	1,0	2,5	4,0
8-10	18	16	14	12	0,75	1,0	2,5	4,0
10-12	16	16	14	12	1,0	2,5	4,0	—
12-16	14	12	—	—	—	—	—	—

## Normas generales de seguridad



**ADVERTENCIA** Lea todas las instrucciones. Si no se siguen todas las instrucciones que aparecen a continuación, el resultado podría ser sacudidas eléctricas, incendio y/o lesiones graves.

La expresión "herramienta mecánica" en todas las advertencias que aparecen a continuación se refiere a su herramienta mecánica alimentada por la red eléctrica (herramienta alámbrica) o su herramienta mecánica alimentada por baterías (herramienta inalámbrica).

### GUARDE ESTAS INSTRUCCIONES

#### Seguridad del área de trabajo

**Mantenga el área de trabajo limpia y bien iluminada.** Las áreas desordenadas u oscuras invitan a que se produzcan accidentes.

**No utilice herramientas mecánicas en atmósferas explosivas, como por ejemplo en presencia de líquidos, gases o polvos inflamables.** Las herramientas mecánicas generan chispas que pueden incendiar el polvo o los vapores.

**Mantenga alejados a los niños y a las personas que estén presentes mientras esté utilizando una herramienta mecánica.** Las distracciones pueden hacerle perder el control de la herramienta.

#### Seguridad eléctrica

**Los enchufes de las herramientas mecánicas deben coincidir con el tomacorriente. No modifique nunca el enchufe de ningún modo. No use enchufes adaptadores con herramientas mecánicas conectadas a tierra (puestas a tierra).** Los enchufes no modificados y los tomacorrientes coincidentes reducirán el riesgo de sacudidas eléctricas.

**Evite el contacto del cuerpo con las superficies conectadas o puestas a tierra, tales como tuberías, radiadores, estufas y refrigeradores.** Hay un aumento del riesgo de sacudidas eléctricas si el cuerpo del operador se conecta o pone a tierra.

**No esponga las herramientas mecánicas a la lluvia o a condiciones mojadas.** La entrada de agua en una herramienta mecánica aumentará el riesgo de que se produzcan sacudidas eléctricas.

**No maltrate el cordón de energía. No use nunca el cordón para transportar la herramienta mecánica, tirar de ella o desenchufarla. Mantenga el cordón alejado del calor, el aceite, los bordes afilados o las piezas móviles.** Los cordones dañados o enganchados aumentan el riesgo de que se produzcan sacudidas eléctricas.

**Cuando utilice una herramienta mecánica en el exterior, use un cordón de extensión adecuado para uso a la intemperie.** La utilización de un cordón adecuado para uso a la intemperie reduce el riesgo de que se produzcan sacudidas eléctricas.

**No use herramientas mecánicas con capacidad nominal solamente para CA con una fuente de energía de CC.** Aunque pueda parecer que la

herramienta funciona correctamente, es probable que los componentes eléctricos de la herramienta con capacidad nominal para CA fallen y creen un peligro para el operador.

**Si es inevitable usar la herramienta mecánica en lugares húmedos, se debe utilizar un interruptor de circuito accionado por corriente de pérdida a tierra (GFCI) para suministrar energía a la herramienta.** Un GFCI y los dispositivos de protección personal, como guantes de goma y calzado de goma de electricista, mejorarán más su seguridad personal.

#### Seguridad personal

**Manténgase alerta, fíjese en lo que está haciendo y use el sentido común cuando esté utilizando una herramienta mecánica. No use una herramienta mecánica cuando esté cansado o bajo la influencia de drogas, alcohol o medicamentos.** Un momento de distracción mientras esté utilizando herramientas mecánicas podría causar lesiones corporales graves.

**Use equipo de seguridad. Use siempre protección de los ojos.** El equipo de seguridad, como por ejemplo una máscara antipolvo, calzado de seguridad antideslizante, casco o protección de oídos, utilizado para las condiciones apropiadas, reducirá las lesiones corporales.

**Evite el arranque accidental. Asegúrese de que el interruptor esté en la posición de apagado antes de enchufar la herramienta.** Si se transportan herramientas mecánicas con el dedo en el interruptor o se enchufan herramientas mecánicas que tienen el interruptor en la posición de encendido, se invita a que se produzcan accidentes.

**Quite todas las llaves de ajuste o de tuerca antes de encender la herramienta mecánica.** Una llave de tuerca o de ajuste que se deje colocada en una pieza giratoria de la herramienta mecánica podría causar lesiones corporales.

**No intente alcanzar demasiado lejos. Mantenga un apoyo de los pies y un equilibrio apropiados en todo momento.** Esto permite controlar mejor la herramienta mecánica en situaciones inesperadas.

**Vístase adecuadamente. No use ropa holgada ni alhajas holgadas. Mantenga el pelo, la ropa y los guantes alejados de las piezas móviles.** La ropa holgada, las alhajas holgadas o el pelo largo pueden quedar atrapados en las piezas móviles.

**Si se proporcionan dispositivos para la conexión de instalaciones de extracción y recolección de polvo, asegúrese de que dichas instalaciones estén conectadas y se usen correctamente.** El uso de estos dispositivos puede reducir los peligros relacionados con el polvo.

**Mantenga los mangos secos, limpios y libres de aceite y grasa.** Las manos resbalosas no pueden controlar de modo seguro la herramienta mecánica.

### **Uso y cuidado de las herramientas mecánicas**

**No fuerce la herramienta mecánica. Use la herramienta mecánica correcta para la aplicación que desee realizar.** La herramienta mecánica correcta hará el trabajo mejor y con más seguridad a la capacidad nominal para la que fue diseñada.

**No use la herramienta mecánica si el interruptor no la enciende y apaga.** Toda herramienta mecánica que no se pueda controlar con el interruptor es peligrosa y debe ser reparada.

**Desconecte el enchufe de la fuente de energía y/o el paquete de batería de la herramienta mecánica antes de hacer cualquier ajuste, cambiar accesorios o almacenar herramientas mecánicas.** Dichas medidas preventivas de seguridad reducen el riesgo de arrancar accidentalmente la herramienta mecánica.

**Guarde las herramientas que no esté usando fuera del alcance de los niños y no deje que personas que no estén familiarizadas con la herramienta mecánica o con estas instrucciones utilicen la herramienta.** Las herramientas mecánicas son peligrosas en manos de usuarios que no hayan recibido capacitación.

**Mantenga las herramientas mecánicas. Compruebe si hay piezas móviles desalineadas o que se atorán, si hay piezas rotas y si existe cualquier otra situación que podría afectar el funcionamiento de la herramienta mecánica. Si la herramienta mecánica está dañada, haga que la reparen antes de usarla.** Muchos accidentes son causados por herramientas mecánicas mantenidas deficientemente.

**Mantenga las herramientas de corte afiladas y limpias.** Es menos probable que las herramientas de corte mantenidas apropiadamente, con bordes de corte afilados, se atorren, y dichas herramientas son más fáciles de controlar.

**Use la herramienta mecánica, los accesorios, las brocas de la herramienta, etc., de acuerdo con estas instrucciones y de la manera prevista para el tipo específico de herramienta mecánica, teniendo en cuenta las condiciones de trabajo y el trabajo que se vaya a realizar.** El uso de la herramienta mecánica para

operaciones distintas a aquéllas para las que fue diseñada podría causar una situación peligrosa.

**Use abrazaderas u otro modo práctico de sujetar y soportar la pieza de trabajo en una plataforma estable.** Si se sujeta la pieza de trabajo con la mano o contra el cuerpo, se crea una situación inestable que podría causar pérdida de control.

### **Uso y cuidado de las herramientas alimentadas por baterías**

**Asegúrese de que el interruptor esté en la posición de apagado antes de introducir el paquete de batería.** Si se introduce el paquete de batería en herramientas mecánicas que tengan el interruptor en la posición de encendido, se invita a que se produzcan accidentes.

**Recargue las baterías solamente con el cargador especificado por el fabricante.** Un cargador que es adecuado para un tipo de paquete de batería puede crear un riesgo de incendio cuando se utiliza con otro paquete de batería.

**Use las herramientas alimentadas por baterías solamente con paquetes de batería designados específicamente.** El uso de cualquier otro paquete de batería puede crear un riesgo de lesiones e incendio.

**Cuando el paquete de batería no se esté usando, manténgalo alejado de otros objetos metálicos, tales como sujetapapeles, monedas, llaves, clavos, tornillos u otros objetos metálicos pequeños que pueden hacer una conexión de un terminal a otro.** Si se cortocircuitan los terminales de la batería uno con otro, se pueden causar quemaduras o un incendio.

**En condiciones abusivas, es posible que se eyecte líquido de la batería. Evite el contacto. Si se produce un contacto accidental, enjuáguese con agua. Si el líquido entra en contacto con los ojos, obtenga además ayuda médica.** El líquido que salga eyectado de la batería puede causar irritación o quemaduras.

### **Servicio de ajustes y reparaciones**

**Haga que su herramienta mecánica reciba servicio de un técnico de reparaciones calificado, utilizando únicamente piezas de repuesto idénticas.** Esto asegurará que se mantenga la seguridad de la herramienta mecánica.

**Desarrolle un programa de mantenimiento periódico de la herramienta. Cuando limpie una herramienta, tenga cuidado de no desmontar ninguna de sus partes, ya que los cables internos podrían reubicarse incorrectamente o pellizcarse, o los resortes de retorno de los protectores de seguridad podrían montarse incorrectamente.** Ciertos agentes de limpieza, tales como gasolina, tetracloruro de carbono, amoníaco, etc., podrían dañar las piezas de plástico.

**GUARDE ESTAS INSTRUCCIONES**

## Normas de seguridad para taladros/destornilladores sin cordón

**Sujete la herramienta por las superficies de agarre aisladas cuando realice una operación en la que la herramienta de corte pueda entrar en contacto con cables ocultos.** El contacto con un cable que tenga corriente hará que ésta pase a las partes metálicas descubiertas de la herramienta y que el operador reciba sacudidas eléctricas.

**Use abrazaderas u otro modo práctico de sujetar y soportar la pieza de trabajo en una plataforma estable.** Si se sujeta la pieza de trabajo con la mano o contra el cuerpo, se crea una situación inestable que podría causar pérdida de control.

No taladre, rompa, ni haga trabajo de sujeción en paredes existentes ni en otras áreas ciegas donde pueda haber cables eléctricos. Si esta situación es inevitable, desconecte todos los fusibles o cortacircuitos que alimentan este sitio de trabajo.

**Agarre siempre la herramienta con las dos manos.** Si la broca se atasca, las dos manos le darán máximo control sobre la reacción de par motor o el retroceso.

**Use siempre gafas de seguridad o protección de los ojos cuando utilice esta herramienta. Use una máscara antipolvo o un respirador para aplicaciones que generan polvo.**

**Fije el material que se está taladrando. Nunca lo tenga en las manos ni sobre las piernas.** Un soporte inestable puede hacer que la broca taladradora se atasque, causando pérdida de control y lesiones.

**Desconecte el paquete de baterías de la herramienta o ponga el interruptor en la posición fijada o de apagado antes de hacer cualquier ensamblaje, ajustes o cambiar accesorios.** Dichas medidas preventivas de seguridad reducen el riesgo de arrancar la herramienta accidentalmente.

**Sitúese de modo que evite ser atrapado entre la herramienta o el mango lateral y las paredes o los postes.** Si la broca se atasca o se engancha en la pieza de trabajo, el par motor de reacción de la herramienta podría aplastarle la mano o la pierna.

**Si la broca se atasca en la pieza de trabajo, suelte el gatillo inmediatamente, invierta el sentido de giro y apriete lentamente el gatillo para sacar la broca.** Esté preparado para un fuerte par motor de reacción. El cuerpo del taladro tenderá a torcerse en sentido contrario al del giro de la broca.

**No agarre la herramienta ni ponga las manos demasiado cerca del mandril o la broca taladradora que gira.** Podría sufrir laceraciones en la mano.

**Al instalar una broca taladradora, introduzca el cuerpo de la broca bien a fondo en el portaherramienta.** Si la broca no se introduce hasta una profundidad suficiente, se reduce el agarre del portaherramienta sobre la broca y se aumenta la pérdida de control. Después de introducir la broca, tire de ella para asegurarse de que haya quedado fija.

**No utilice brocas ni accesorios desafilados o dañados.** Las brocas o accesorios desafilados o dañados tienen mayor tendencia a atascarse en la pieza de trabajo.

**Al sacar la broca de la herramienta, evite el contacto con la piel y use guantes protectores adecuados al agarrar la broca o el accesorio.** Los accesorios pueden estar calientes después de un uso prolongado.

**Compruebe que las llaves de ajuste y de tuerca se hayan quitado del taladro antes de encender la herramienta.** Las llaves de ajuste o de tuerca pueden salir despedidas a gran velocidad y golpearle a usted o golpear a alguien que se esté presente.

**No tenga en marcha el taladro mientras lo lleva a su lado.** Una broca taladradora que gira podría engancharse en la ropa y producir lesiones.

**⚠ ADVERTENCIA** Cierta polvo generado por el lijado, aserrado, amolado y taladrado mecánicos, y por otras actividades de construcción, contiene agentes químicos que se sabe que causan cáncer, defectos de nacimiento u otros daños sobre la reproducción. Algunos ejemplos de estos agentes químicos son:

- Plomo de pinturas a base de plomo,
- Sílice cristalina de ladrillos y cemento y otros productos de mampostería, y
- Arsénico y cromo de madera tratada químicamente.

Su riesgo por causa de estas exposiciones varía, dependiendo de con cuánta frecuencia realice este tipo de trabajo. Para reducir su exposición a estos agentes químicos: trabaje en un área bien ventilada y trabaje con equipo de seguridad aprobado, como por ejemplo máscaras antipolvo que estén diseñadas especialmente para impedir mediante filtración el paso de partículas microscópicas.

## BATERÍA/CARGADOR

Antes de utilizar el cargador de baterías, lea todas las instrucciones e indicaciones de precaución que se encuentran en (1) el cargador de baterías, (2) el paquete de baterías y (3) el producto que utiliza baterías.

Utilice solamente el cargador que acompañaba al el producto o un reemplazo directo según se indica en el catálogo o en este manual. No sustituirlo por ningún otro cargador. Utilice únicamente cargadores aprobados Bosch con su producto. Consulte Descripción funcional y especificaciones.

**No desarme el cargador ni lo haga funcionar si ha recibido un golpe brusco, se ha caído o se ha dañado de cualquier modo. Cambie el cordón o los enchufes dañados inmediatamente.** El reensamblaje incorrecto o los daños pueden ocasionar sacudidas eléctricas o incendio.

**No recargue la batería en un entorno húmedo o mojado. No exponga el cargador a lluvia ni nieve. Si la caja de baterías está agrietada o dañada de algún otro modo, no la introduzca en el cargador.** Se puede producir un cortocircuito de las baterías o un incendio.

**Cargue únicamente baterías recargables aprobadas Bosch.** Consulte Descripción funcional y especificaciones. Otros tipos de baterías pueden reventar causando lesiones personales y daños.

**Cargue el paquete de baterías a temperaturas superiores a +32 grados F (0 grados C) e inferiores a**

**+113 grados F (45 grados C). Guarde la herramienta y el paquete de baterías en lugares donde las temperaturas no superen 120 grados F (49 grados C).** Esto es importante para evitar daños graves a los elementos de la batería.

**Se puede producir un escape del líquido de las baterías bajo condiciones extremas de uso o de temperatura. Evite el contacto con la piel y los ojos.** El líquido de la batería es cáustico y podría causar quemaduras químicas en los tejidos. Si el líquido entra en contacto con la piel, lávela rápidamente con agua y jabón. Si el líquido entra en contacto con los ojos, enjuáguelos con agua durante un mínimo de 10 minutos y obtenga atención médica.

**Ponga el cargador sobre superficies planas ininflamables y alejado de materiales inflamables cuando recargue el paquete de baterías.** El cargador y el paquete de baterías se calientan durante el proceso de carga. Las alfombras y otras superficies termoaislantes bloquean la circulación adecuada de aire, lo cual puede causar sobrecalentamiento del cargador y del paquete de baterías. Si observa humo o que la carcasa se está derritiendo, desenchufe inmediatamente el cargador y no utilice el paquete de baterías ni el cargador.

**El uso de un accesorio no recomendado ni vendido por Bosch puede constituir un peligro de incendio, sacudidas eléctricas o lesiones a las personas.**

## CUIDADO DE LAS BATERIAS

**⚠ ADVERTENCIA** Cuando las baterías no están en la herramienta o en el cargador, manténgalas alejadas de objetos metálicos. Por ejemplo, para evitar que las terminales hagan cortocircuito, **NO** ponga las baterías en una caja de

herramientas o en un bolsillo con clavos, tornillos, llaves, etc. Se pueden producir un incendio o lesiones.

**NO ARROJE LAS BATERIAS AL FUEGO NI LAS EXPONGA AL CALOR INTENSO.** Pueden explotar.

## ELIMINACION DE LAS BATERIAS

**⚠ ADVERTENCIA** No intente desarmar la batería ni quitar ninguno de los componentes que sobresalen de las terminales de la batería. Se pueden producir lesiones o un incendio. Antes de tirarla, proteja las terminales que están al descubierto con cinta adhesiva aislante gruesa para prevenir cortocircuitos.

### BATERIAS DE LITHIUM-ION

Si este producto está equipado con una batería de lithium-ion, dicha batería debe recogerse, reciclarse o eliminarse de manera segura para el medio ambiente.



“El sello de reciclaje de baterías RBRC certificado por la EPA que se encuentra en la batería de lithium-ion (Li-ion) indica que Robert Bosch Tool Corporation está participando voluntariamente en un

programa de la industria para recoger y reciclar estas baterías al final de su vida útil, cuando se retiran de servicio en los Estados Unidos y Canadá. El programa RBRC proporciona una alternativa conveniente a tirar las baterías de Li-ion usadas a la basura o a la corriente municipal de aguas residuales, lo cual quizás sea ilegal en su área.

Tenga la amabilidad de llamar al 1-800-8-BATTERY para obtener información acerca de las prohibiciones/restricciones sobre el reciclaje y la eliminación de baterías de Li-ion en su lugar o devuelva las baterías a un Centro de servicio Skil/Bosch/Dremel para reciclarlas. La participación de Robert Bosch Tool Corporation en este programa es parte de nuestro compromiso hacia preservar nuestro medio ambiente y conservar nuestros recursos naturales.”

## Símbolos

**IMPORTANTE:** Es posible que algunos de los símbolos siguientes se usen en su herramienta. Por favor, estúdielos y aprenda su significado. La interpretación adecuada de estos símbolos le permitirá utilizar la herramienta mejor y con más seguridad.

Símbolo	Nombre	Designación/explicación
V	Volt	Tensión (potencial)
A	Ampere	Corriente
Hz	Hertz	Frecuencia (ciclos por segundo)
W	Watt	Potencia
kg	Kilogramo	Peso
min	Minuto	Tiempo
s	Segundo	Tiempo
∅	Diámetro	Tamaño de las brocas taladradoras, muelas, etc
$n_0$	Velocidad sin carga	Velocidad rotacional sin carga
.../min	Revoluciones o alternación por minuto	Revoluciones, golpes, velocidad de superficie, órbitas, etc., por minuto
0	Posición "off" (apagado)	Velocidad cero, par motor cero...
1, 2, 3, ... I, II, III,	Graduaciones del selector	Graduaciones de velocidad, par motor o posición. Un número más alto significa mayor velocidad
	Selector infinitamente variable con apagado	La velocidad aumenta desde la graduación de 0
	Flecha	Acción en la dirección de la flecha
	Corriente alterna	Tipo o una característica de corriente
	Corriente continua	Tipo o una característica de corriente
	Corriente alterna o continua	Tipo o una característica de corriente
	Construcción de clase II	Designa las herramientas de construcción con aislamiento doble.
	Terminal de toma de tierra	Terminal de conexión a tierra
	Símbolo de advertencia	Alerta al usuario sobre mensajes de advertencia
	Sello RBRC de Li-ion	Designa el programa de reciclaje de baterías de Li-ion



Este símbolo indica que esta herramienta está catalogada por Underwriters Laboratories.



Este símbolo indica que Underwriters Laboratories ha catalogado esta herramienta indicando que cumple las normas canadienses.



Este símbolo indica que esta herramienta cumple con la norma mexicana oficial (NOM).



Este símbolo indica que esta herramienta está catalogada por la Canadian Standards Association.



Este símbolo indica que esta herramienta está catalogada por Underwriters Laboratories y que Underwriters Laboratories la ha catalogado según las normas canadienses.

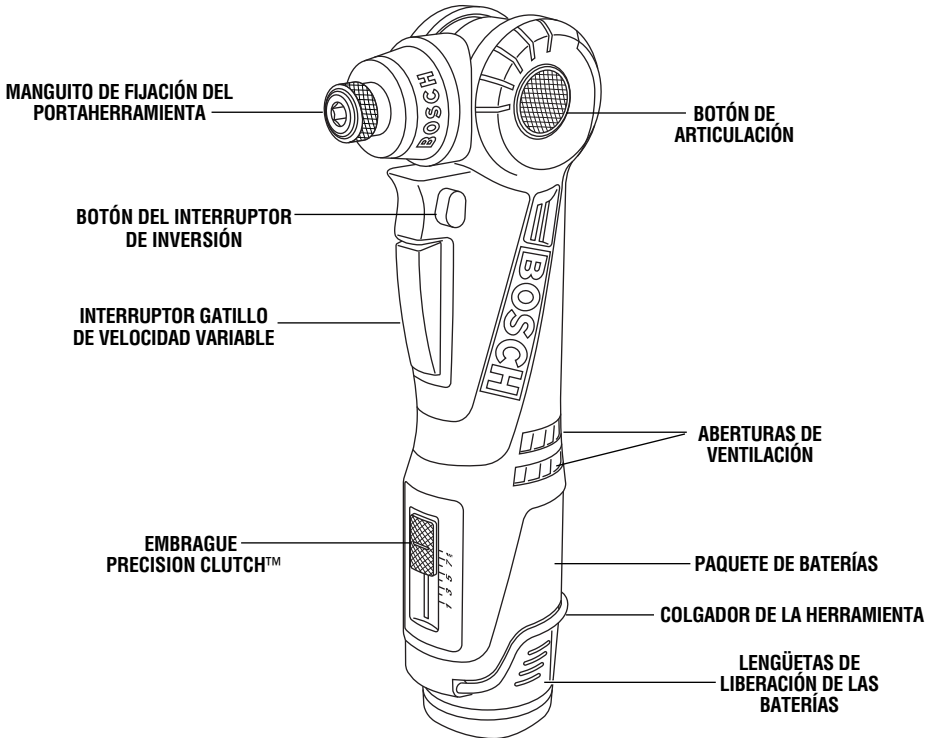
## Descripción funcional y especificaciones



**ADVERTENCIA** Desconecte el paquete de baterías de la herramienta o ponga el interruptor en la posición fijada o de apagado antes de hacer cualquier ensamblaje, ajustes o cambiar accesorios. Dichas medidas preventivas de seguridad reducen el riesgo de arrancar la herramienta accidentalmente.

### Taladro/destornillador sin cordón

FIG. 1



**Número de modelo**

PS10

Tensión nominal

10,8V/12V == MÁX

Velocidad sin carga

$n_0$  600/min

Tiempo de carga

30 minutos

**Capacidades máximas**

Capacidad del portaherramienta

Cuerpo hexagonal de 1/4" con ranura de fijación

Taladrado de madera

(12.5 mm) 1/2"

Tamaños de tornillo

(6 mm) 1/4"

**Cargador**

BC430

Tensión nominal

120 V ~ 60 Hz

**Paquete de batería**

BAT411



## Instrucciones de funcionamiento

El taladro/destornillador sin cordón modelo PS10 de Bosch tiene un portaherramienta que acepta solamente accesorios con cuerpo hexagonal de 1/4" estándar con ranura de fijación. La capacidad de RPM baja de este modelo no es una deficiencia. Al contrario, velocidad baja significa par motor alto y el par motor alto es una ventaja adicional definitiva para taladrar y atornillar de modo efectivo. La velocidad baja también proporciona más control para evitar dañar las roscas del tornillo y la superficie de trabajo.

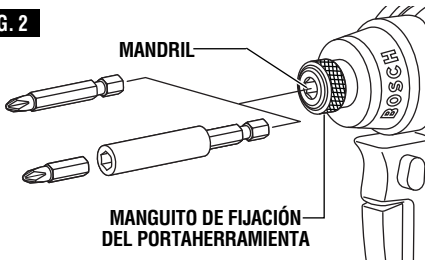
### MANGUITO DE FIJACIÓN DEL PORTAHERRAMIENTA

**ADVERTENCIA** Para evitar la pérdida de control, asegúrese de que la broca esté fija en el portaherramienta, tirando de ella después de haberla introducido.

La herramienta está equipada con un manguito de fijación del portaherramienta de suelta rápida. Para introducir el accesorio, simplemente tire hacia delante del manguito de fijación del portaherramienta, introduzca el accesorio deseado en el mandril y suelte el manguito de fijación del portaherramienta (Fig. 2).

Para quitar un accesorio, tire hacia delante del manguito de fijación del portaherramienta y simplemente retírelo.

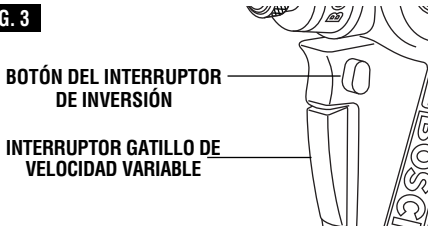
FIG. 2



### VELOCIDAD VARIABLE CONTROLADA POR GATILLO

La herramienta está equipada con un interruptor gatillo de velocidad variable. La velocidad de la herramienta se puede controlar desde las RPM mínimas hasta las RPM máximas indicadas en la placa del fabricante por medio de la presión que usted ejerce sobre el gatillo. Ejercer más presión para aumentar la velocidad y disminuya la presión para reducir la velocidad (Fig. 3).

FIG. 3



### BOTÓN DEL INTERRUPTOR DE INVERSIÓN

El botón del interruptor de inversión está ubicado encima del interruptor gatillo y se utiliza para invertir el

sentido de rotación de la broca. Para la rotación de avance (con el mandril orientado en sentido opuesto a usted), mueva el botón completamente hacia la izquierda. Para la rotación inversa, mueva el botón completamente hacia la derecha (Fig. 3).

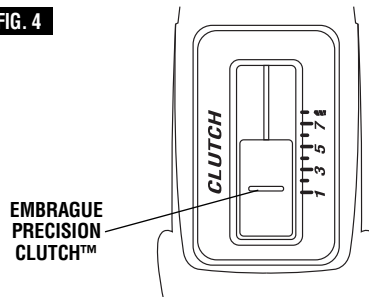
### FRENO

Cuando se suelta el interruptor gatillo, éste activa el freno para detener el mandril rápidamente. Esto es especialmente útil para apretar y remover tornillos repetidamente.

### EMBRAGUE PRECISION CLUTCH™

La herramienta cuenta con 7 posiciones de embrague. El par motor de salida aumentará a medida que el botón se suba o se baje desde las posiciones 1 a 7. La posición de taladro "▶▶▶▶" bloqueará el embrague para permitir taladrar y apretar tornillos en trabajo pesado. Cuando se active el embrague, el usuario sentirá varios pulsos en el gatillo y la herramienta se detendrá. Se debe soltar el gatillo para reajustar el embrague (Fig. 4).

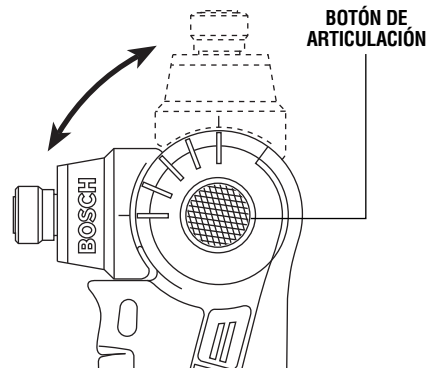
FIG. 4



### BOTÓN DE ARTICULACIÓN

La herramienta también cuenta con una cabeza articulada de 5 posiciones. Para ajustarla, oprima el botón de articulación y mueva la cabeza hasta la posición deseada (Fig. 5).

FIG. 5



### Consejos de funcionamiento

Usted prolongará la vida de las brocas y realizará un trabajo mejor ejecutado si siempre pone la broca en contacto con la pieza de trabajo antes de apretar el gatillo. Durante el funcionamiento, sujete firmemente la herramienta y ejerza una presión ligera y uniforme. Una presión excesiva a baja velocidad hará que la herramienta se detenga. Una presión demasiado pequeña no permitirá que la broca corte y producirá un exceso de fricción al patinar sobre la superficie. Esto puede ser perjudicial tanto para la herramienta como para la broca.

#### TALADRADO CON VELOCIDAD VARIABLE

El dispositivo de velocidad variable controlada por gatillo eliminará la necesidad de punzonaduras para marcar en materiales duros. El gatillo de velocidad variable le permite a usted aumentar las RPM lentamente. Mediante la utilización de una velocidad inicial lenta, usted puede evitar que la broca se desvíe. Puede aumentar la

velocidad apretando el gatillo a medida que la broca se va introduciendo en la pieza de trabajo.

#### APRIETE DE TORNILLOS CON VELOCIDAD VARIABLE

Los taladros de velocidad variable servirán al mismo tiempo de destornillador mecánico mediante la utilización de una broca de destornillador. La técnica consiste en empezar despacio, aumentando la velocidad a medida que el tornillo avanza. Coloque el tornillo de manera que ajuste perfectamente mediante la disminución de la velocidad hasta detenerse. Antes de apretar los tornillos, se deben taladrar agujeros piloto y de paso.

#### COLGADOR DE LA HERRAMIENTA

**⚠️ ADVERTENCIA** Para evitar lesiones corporales, no use el colgador de la herramienta como atadura. El colgador está diseñado para utilizarse para almacenamiento.

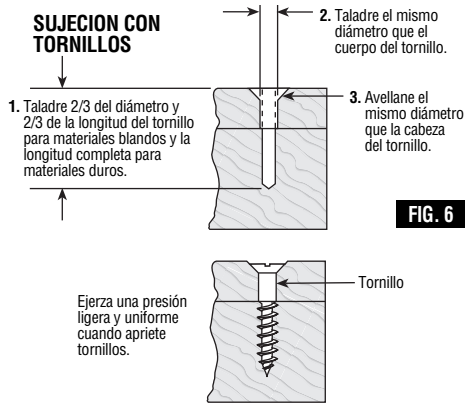
#### SUJECION CON TORNILLOS

El procedimiento mostrado en la fig. 6 le permitirá sujetar unos materiales a otros atornillándolos con el destornillador sin cordón sin desforrar, rajar ni separar el material.

Primero, fije las piezas una a otra y taladre el primer agujero con 2/3 del diámetro del tornillo. Si el material es blando, taladre únicamente 2/3 de la longitud adecuada. Si es duro, taladre la longitud completa.

Segundo, suelte las piezas y taladre el segundo agujero con el mismo diámetro que el cuerpo del tornillo en la primera pieza, o pieza superior, de madera.

Tercero, si se utiliza un tornillo de cabeza plana, avellane el agujero para hacer que el tornillo quede al ras con la superficie. Luego, simplemente ejerza una presión uniforme cuando apriete el tornillo. El agujero de paso del cuerpo del tornillo en la primera pieza permite que la cabeza del tornillo mantenga las piezas unidas firmemente.



**FIG. 6**

#### BROCAS PARA TALADRADO

Inspeccione siempre las brocas para ver si se ha producido un desgaste excesivo. Utilice únicamente brocas que están afiladas y en buenas condiciones.

**BROCAS DE ESPIRAL:** Disponibles con cuerpos rectos y acortados para taladrado de madera y taladrado ligero de metal. Las brocas de alta velocidad cortan más rápido y duran más en materiales duros.

**BROCAS CON PUNTA DE CARBURO:** Utilizadas para taladrar piedra, hormigón, escayola, cemento y otros no metales extraordinariamente duros. Utilice una fuerte presión de avance continua cuando emplee brocas con punta de carburo.

#### TALADRADO DE MADERA

Asegúrese de que la pieza de trabajo está fija o sujeta firmemente. Ejerza presión siempre en línea recta con la broca. Mantenga una presión suficiente para que la broca continúe penetrando.

Al taladrar agujeros en madera, se pueden utilizar brocas de espiral. Las brocas de espiral pueden recalentarse a menos que se saquen con frecuencia para quitar las virutas de las estrías.

Utilice un bloque de madera de "refuerzo" para piezas de trabajo que es posible que se astillen, tales como materiales delgados.

Usted taladrará un agujero mejor hecho si disminuye la presión justo antes de que la broca atraviese la madera completamente. Luego, termine el agujero desde la parte posterior.

### TALADRADO DE METAL

Hay dos reglas para taladrar materiales duros. Primero, cuanto más duro sea el material, mayor es la presión que usted necesita ejercer sobre la herramienta. Segundo, cuanto más duro sea el material, más lenta ha de ser la velocidad. He aquí unos cuantos consejos para taladrar metal. Lubrique la punta de la broca de vez en cuando con aceite para cortar, excepto al taladrar metales blandos tales como aluminio, cobre o hierro fundido. Si el agujero que se va a taladrar es bastante grande, primero taladre un agujero más pequeño y luego agrándelo hasta el tamaño requerido; a la larga, esto suele ser más rápido. Mantenga suficiente presión para asegurar que la broca no se limita a dar vueltas sin avanzar dentro del agujero. Esto desafilará la broca y acortará mucho la vida de ésta.

### TALADRADO DE MAMPOSTERÍA

Los materiales blandos tales como el ladrillo son relativamente fáciles de taladrar. Sin embargo, el hormigón requerirá mucha más presión para evitar que la broca dé vueltas sin avanzar. Asegúrese de utilizar

brocas con punta de carburo para todo el trabajo de mampostería.

Antes de utilizar un accesorio, asegúrese de que la velocidad especificada en la placa del fabricante de la herramienta no exceda la velocidad máxima de funcionamiento con seguridad de dicho accesorio. No exceda el diámetro de rueda recomendado.

### APRIETE DE TUERCAS Y PERNOS

El control de velocidad variable se debe utilizar con precaución para apretar tuercas y pernos con accesorios del juego de tubos. La técnica consiste en empezar despacio, aumentando la velocidad a medida que la tuerca o el perno avanza. Coloque la tuerca o el perno de manera que encaje perfectamente mediante la disminución de la velocidad del taladro hasta que éste se detenga. Si no se sigue este procedimiento, la herramienta tendrá tendencia a experimentar un par motor o a torcerse en las manos cuando la tuerca o el perno se asiente en su sitio.

## INTRODUCCIÓN Y SUELTA DEL PAQUETE DE BATERÍAS

Saque el paquete de baterías de la herramienta presionando sobre ambos lados de las lengüetas de liberación de las baterías y tire hacia abajo.

Para introducir la batería, alinee la batería e introduzca el paquete de baterías en la herramienta hasta que quede fijo en su posición. No lo fuerce.

## NOTAS IMPORTANTES PARA CARGAR

1. El cargador fue diseñado para cargar la batería rápidamente sólo cuando la temperatura de la batería está entre 0°C (32°F) y 45°C (113°F). Si el paquete de baterías está demasiado caliente o demasiado frío, el cargador no cargará rápidamente la batería. (Esto puede ocurrir si el paquete de baterías está caliente debido a una utilización intensa.) Cuando la temperatura de la batería vuelva a estar entre 0°C (32°F) y 45°C (113°F), el cargador comenzará a cargar automáticamente.
2. Un descenso considerable en el tiempo de funcionamiento por carga puede significar que el paquete de baterías se está acercando al final de su vida y que debe ser sustituido.
3. Recuerde desenchufar el cargador durante el período de almacenamiento.
4. Si la batería no carga adecuadamente:

- a. Compruebe que hay tensión en el tomacorriente enchufando algún otro dispositivo eléctrico.
- b. Compruebe si el tomacorriente está conectado a un interruptor de luz que corta el suministro de energía cuando se apagan las luces.
- c. Compruebe si hay suciedad en las terminales del paquete de baterías. Límpielas con un pedazo de algodón y alcohol si es necesario.
- d. Si usted sigue sin obtener una carga adecuada, lleve o envíe la herramienta, el paquete de baterías y el cargador al Centro de servicio Bosch local. Busque bajo "Herramientas eléctricas" en las páginas amarillas para obtener nombres y direcciones.

**Nota:** La utilización de cargadores o paquetes de batería no vendidos por Bosch anulará la garantía.

## INDICADORES Y SIMBOLOS DEL CARGADOR Y SU SIGNIFICADO

Si la luz indicadora verde está apagada, el cargador no está recibiendo energía del tomacorriente de alimentación.



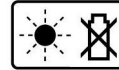
Si la luz indicadora verde está "ENCENDIDA", el cargador está enchufado pero el paquete de baterías no está introducido o el paquete de baterías se encuentra totalmente cargado y está siendo cargado continua y lentamente.



Si la luz indicadora verde "PARPADEA", el paquete de baterías está siendo cargado rápidamente. La carga rápida terminará automáticamente cuando el paquete de baterías esté totalmente cargado.



Si la luz indicadora roja está "ENCENDIDA", el paquete de baterías está demasiado caliente o demasiado frío para la carga rápida. El cargador cambiará a carga continua y lenta hasta que se alcance una temperatura adecuada, momento en el cual el cargador cambiará automáticamente a carga rápida.



Si la luz indicadora roja "PARPADEA", el paquete de baterías no puede aceptar una carga o los contactos del cargador o del paquete de baterías están contaminados. Limpie los contactos del cargador o del paquete de baterías únicamente tal como se indica en estas instrucciones de funcionamiento o en las que se suministran con la herramienta o con el paquete de baterías.

## CARGA DEL PAQUETE DE BATERIAS (CARGADOR DE 30 MINUTOS BC430)

Enchufe el cordón del cargador en un tomacorriente eléctrico estándar y luego introduzca el paquete de baterías en el cargador (Fig. 7).

La luz indicadora verde del cargador comenzará a "PARPADEAR". Esto indica que la batería está recibiendo una carga rápida. La carga rápida se detendrá automáticamente cuando el paquete de baterías esté completamente cargado.

Cuando la luz indicadora deje de "PARPADEAR" (y se vuelva una luz verde constante), la carga rápida habrá terminado.

El paquete de baterías se puede usar incluso aunque la luz siga parpadeando. Puede que tenga que pasar más tiempo para que la luz deje de parpadear, según la temperatura. Cuando comience el proceso de carga

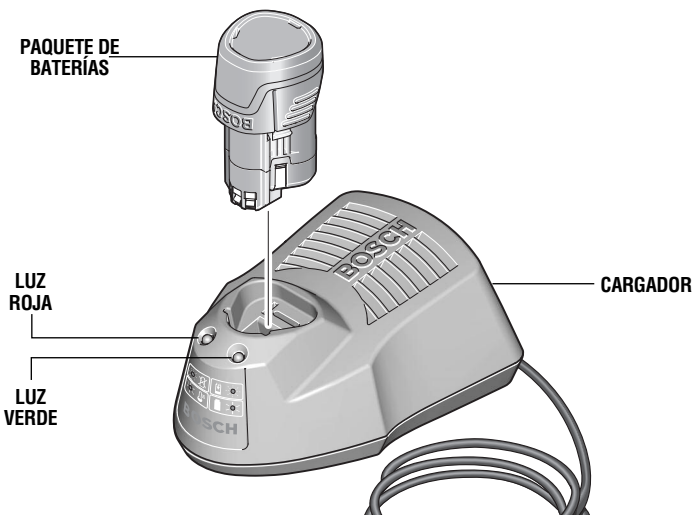
del paquete de baterías, una luz roja constante también podría significar que el paquete de baterías está demasiado caliente o demasiado frío.

El propósito de la luz verde es indicar que el paquete de baterías se está cargando rápidamente. No indica el punto exacto de carga completa. La luz dejará de parpadear en menos tiempo si el paquete de baterías no estaba completamente descargado.

Al cargar varias baterías en secuencia, es posible que el tiempo de carga aumente ligeramente.

Cuando el paquete de baterías esté completamente cargado, desenchufe el cargador (a menos que vaya a cargar otro paquete de baterías) y vuelva a introducir el paquete de baterías en la herramienta.

FIG. 7



## Mantenimiento

### Servicio

**⚠ ADVERTENCIA** **NO HAY PIEZAS EN EL INTERIOR QUE PUEDAN SER AJUSTADAS O REPARADAS POR EL USUARIO. El mantenimiento preventivo realizado por personal no autorizado puede dar lugar a la colocación incorrecta de cables y componentes internos que podría constituir un peligro serio.** Recomendamos que todo el servicio de las herramientas sea realizado en un Centro de servicio de fábrica Bosch o en una Estación de servicio Bosch autorizada. **TECNICOS DE REPARACIONES:** Desconecten la herramienta y/o el cargador de la fuente de energía antes de realizar servicio de ajustes y reparaciones.

### BATERÍAS

**Esté alerta a los paquetes de baterías que estén aproximándose al final de su vida útil.** Si observa una disminución del rendimiento de la herramienta o un tiempo de funcionamiento significativamente más corto entre cargas, entonces ha llegado el momento de cambiar el paquete de baterías. Si no se hace esto, el resultado puede ser que la herramienta funcione incorrectamente o que el cargador se dañe.

### LUBRICACION DE LAS HERRAMIENTAS

Su herramienta Bosch ha sido lubricada adecuadamente y está lista para la utilización.

### MOTORES "CORRIENTE DIRECTA"

El motor de la herramienta ha sido diseñado para muchas horas de servicio fiable. Para mantener un rendimiento óptimo del motor, recomendamos que éste sea examinado cada seis meses. Sólo se debe usar un motor de repuesto Bosch genuino diseñado especialmente para la herramienta.

### Limpieza

**⚠ ADVERTENCIA** **Para evitar accidentes, desconecte siempre la herramienta y/o el cargador de la fuente de energía antes de la limpieza.** La herramienta se puede limpiar más eficazmente con aire comprimido seco. **Use gafas de seguridad siempre que limpie herramientas con aire comprimido.**

Las aberturas de ventilación y las palancas de interruptor deben mantenerse limpias y libres de materias extrañas. No intente limpiar introduciendo objetos puntiagudos a través de las aberturas.

**⚠ PRECAUCION** **Ciertos agentes de limpieza y disolventes dañan las piezas de plástico.** Algunos de estos son: gasolina, tetracloruro de carbono, disolventes de limpieza clorados, amoníaco y detergentes domésticos que contienen amoníaco.

## Accesorios

**⚠ ADVERTENCIA** **Si es necesario un cordón de extensión, se debe usar un cordón con conductores de tamaño adecuado que sea capaz de transportar la corriente necesaria para la herramienta.** Esto evitará caídas de tensión excesivas, pérdida de potencia o recalentamiento. Las herramientas conectadas a tierra deben usar cordones de extensión de 3 hilos que tengan enchufes de 3 terminales y receptáculos para 3 terminales.

**NOTA:** Cuanto más pequeño es el número de calibre, más grueso es el cordón.

### TAMAÑOS RECOMENDADOS DE CORDONES DE EXTENSION HERRAMIENTAS DE 120 V CORRIENTE ALTERNA

Capacidad nominal en amperes de la herramienta	Tamaño del cordón en A.W.G.				Tamaños del cable en mm <sup>2</sup>			
	Longitud del cordón en pies				Longitud del cordón en metros			
	25	50	100	150	15	30	60	120
3-6	18	16	16	14	0,75	0,75	1,5	2,5
6-8	18	16	14	12	0,75	1,0	2,5	4,0
8-10	18	16	14	12	0,75	1,0	2,5	4,0
10-12	16	16	14	12	1,0	2,5	4,0	—
12-16	14	12	—	—	—	—	—	—

**Notes:**

**Remarques :**  
**Notas:**

### LIMITED WARRANTY OF BOSCH PORTABLE AND BENCHTOP POWER TOOLS

Robert Bosch Tool Corporation ("Seller") warrants to the original purchaser only, that all BOSCH portable and benchtop power tools will be free from defects in material or workmanship for a period of one year from date of purchase. SELLER'S SOLE OBLIGATION AND YOUR EXCLUSIVE REMEDY under this Limited Warranty and, to the extent permitted by law, any warranty or condition implied by law, shall be the repair or replacement of parts, without charge, which are defective in material or workmanship and which have not been misused, carelessly handled, or misrepaired by persons other than Seller or Authorized Service Station. To make a claim under this Limited Warranty, you must return the complete portable or benchtop power tool product, transportation prepaid, to any BOSCH Factory Service Center or Authorized Service Station. For Authorized BOSCH Power Tool Service Stations, please refer to your phone directory.

THIS LIMITED WARRANTY DOES NOT APPLY TO ACCESSORY ITEMS SUCH AS CIRCULAR SAW BLADES, DRILL BITS, ROUTER BITS, JIGSAW BLADES, SANDING BELTS, GRINDING WHEELS AND OTHER RELATED ITEMS.

ANY IMPLIED WARRANTIES SHALL BE LIMITED IN DURATION TO ONE YEAR FROM DATE OF PURCHASE. SOME STATES IN THE U.S., SOME CANADIAN PROVINCES DO NOT ALLOW LIMITATIONS ON HOW LONG AN IMPLIED WARRANTY LASTS, SO THE ABOVE LIMITATION MAY NOT APPLY TO YOU.

IN NO EVENT SHALL SELLER BE LIABLE FOR ANY INCIDENTAL OR CONSEQUENTIAL DAMAGES (INCLUDING BUT NOT LIMITED TO LIABILITY FOR LOSS OF PROFITS) ARISING FROM THE SALE OR USE OF THIS PRODUCT. SOME STATES IN THE U.S. AND SOME CANADIAN PROVINCES DO NOT ALLOW THE EXCLUSION OR LIMITATION OF INCIDENTAL OR CONSEQUENTIAL DAMAGES, SO THE ABOVE LIMITATION OR EXCLUSION MAY NOT APPLY TO YOU.

THIS LIMITED WARRANTY GIVES YOU SPECIFIC LEGAL RIGHTS, AND YOU MAY ALSO HAVE OTHER RIGHTS WHICH VARY FROM STATE TO STATE IN THE U.S., PROVINCE TO PROVINCE IN CANADA AND FROM COUNTRY TO COUNTRY.

THIS LIMITED WARRANTY APPLIES ONLY TO PORTABLE AND BENCHTOP ELECTRIC TOOLS SOLD WITHIN THE UNITED STATES OF AMERICA, CANADA AND THE COMMONWEALTH OF PUERTO RICO. FOR WARRANTY COVERAGE WITHIN OTHER COUNTRIES, CONTACT YOUR LOCAL BOSCH DEALER OR IMPORTER.

### GARANTIE LIMITÉE DES OUTILS ÉLECTRIQUES PORTATIFS ET D'ÉTABLI BOSCH

Robert Bosch Tool Corporation (le « vendeur ») garantit à l'acheteur initial seulement que tous les outils électriques portatifs et d'établi BOSCH seront exempts de vices de matériaux ou d'exécution pendant une période d'un an depuis la date d'achat. LA SEULE OBLIGATION DU VENDEUR ET LE SEUL RECOURS DE L'ACHETEUR sous la présente garantie limitée, et en autant que la loi le permette sous toute garantie ou condition implicite qui en découlerait, sera l'obligation de remplacer ou réparer gratuitement les pièces défectueuses matériellement ou comme fabrication, pourvu que lesdites défectosités ne soient pas attribuables à un usage abusif ou à quelque réparation bricolée par quelqu'un d'autre que le vendeur ou le personnel d'une station-service agréée. Pour présenter une réclamation en vertu de cette garantie limitée, vous devez renvoyer l'outil électrique portatif ou d'établi complet, port payé, à tout centre de service agréé ou centre de service usine. Veuillez consulter votre annuaire téléphonique pour les adresses.

LA PRÉSENTE GARANTIE NE S'APPLIQUE PAS AUX ACCESSOIRES TELS QUE LAMES DE SCIES CIRCULAIRES, MÊCHES DE PERCEUSES, FERS DE TOUPIES, LAMES DE SCIES SAUTEUSES, COURROIES DE PONÇAGE, MEULES ET AUTRES ARTICLES DU GENRE.

TOUTE GARANTIE IMPLICITE SERA LIMITÉE COMME DURÉE À UN AN À COMPTER DE LA DATE D'ACHAT. CERTAINS ÉTATS AMÉRICAINS, CERTAINES PROVINCES CANADIENNES N'ADMETTANT PAS LE PRINCIPE DE LA LIMITATION DE LA DURÉE DES GARANTIES IMPLICITES, IL EST POSSIBLE QUE LES LIMITATIONS CI-DESSUS NE S'APPLIQUENT PAS À VOTRE CAS.

EN AUCUN CAS LE VENDEUR NE SAURAIT ÊTRE TENU POUR RESPONSABLE DES INCIDENTS OU DOMMAGES INDIRECTS (INCLUANT, MAIS NE SE LIMITANT PAS AUX PERTES DE PROFITS) CONSÉCUTIFS À LA VENTE OU L'USAGE DE CE PRODUIT. CERTAINS ÉTATS AMÉRICAINS ET CERTAINES PROVINCES CANADIENNES N'ADMETTANT PAS LE PRINCIPE DE LA LIMITATION NI L'EXCLUSION DES DOMMAGES INDIRECTS ET CONSÉQUENTIELS, IL EST POSSIBLE QUE LES LIMITATIONS OU EXCLUSIONS CI-DESSUS NE S'APPLIQUENT PAS À VOTRE CAS.

LA PRÉSENTE GARANTIE VOUS ACCORDE DES DROITS BIEN DÉTERMINÉS, Y COMPRIS POSSIBLEMENT CERTAINS DROITS VARIABLES DANS LES DIFFÉRENTS ÉTATS AMÉRICAINS, PROVINCES CANADIENNE ET DE PAYS À PAYS.

CETTE GARANTIE LIMITÉE NE S'APPLIQUE QU'ÀUX OUTILS ÉLECTRIQUES PORTATIFS ET D'ÉTABLI VENDUS AUX ÉTATS-UNIS D'AMÉRIQUE, AU CANADA ET AU COMMONWEALTH DE PUERTO RICO. POUR COUVERTURE DE GARANTIE DANS LES AUTRES PAYS, CONTACTEZ VOTRE IMPORTATEUR OU REVENDEUR BOSCH LOCAL.

### GARANTIA LIMITADA PARA HERRAMIENTAS MECANICAS PORTATILES Y PARA TABLERO DE BANCO BOSCH

Robert Bosch Tool Corporation ("el Vendedor") garantiza, únicamente al comprador original, que todas las herramientas mecánicas portátiles y para tablero de banco BOSCH estarán libres de defectos de material o de fabricación durante un período de un año a partir de la fecha de compra. LA ÚNICA OBLIGACION DEL VENDEADOR Y EL RECURSO EXCLUSIVO QUE USTED TIENE bajo esta Garantía Limitada y, hasta donde la ley lo permita, bajo cualquier garantía o condición implícita por ley, consistirá en la reparación o sustitución sin costo de las piezas que presenten defectos de material o de fabricación y que no hayan sido utilizadas incorrectamente, manejadas descuidadamente o reparadas incorrectamente por personas que no sean el Vendedor o una Estación de servicio autorizada. Para efectuar una reclamación bajo esta Garantía Limitada, usted debe devolver el producto, que consiste en la herramienta mecánica portátil o para tablero de banco completa, con el transporte pagado, a cualquier Centro de servicio de fábrica o Estación de servicio autorizada. Para Estaciones de servicio autorizadas de herramientas mecánicas BOSCH, por favor, consulte el directorio telefónico.

ESTA GARANTIA LIMITADA NO SE APLICA A ARTICULOS ACCESORIOS TALES COMO HOJAS PARA SIERRAS CIRCULARES, BROCAS PARA TALADROS, BROCAS PARA FRESADORAS, HOJAS PARA SIERRAS DE VAIVEN, CORREAS PARA LIJAR, RUEDAS DE AMOLAR Y OTROS ARTICULOS RELACIONADOS.

TODAS LAS GARANTIAS IMPLICITAS TENDRAN UNA DURACION LIMITADA A UN AÑO A PARTIR DE LA FECHA DE COMPRA. ALGUNOS ESTADOS DE LOS EE.UU. Y ALGUNAS PROVINCIAS CANADIENSES NO PERMITEN LIMITACIONES EN CUANTO A LA DURACION DE UNA GARANTIA IMPLICITA. POR LO QUE ES POSIBLE QUE LA LIMITACION ANTERIOR NO SEA APLICABLE EN EL CASO DE USTED.

EL VENDEADOR NO SERA RESPONSABLE EN NINGUN CASO DE NINGUN DAÑO INCIDENTAL O EMERGENTE (INCLUYENDO PERO NO LIMITADO A RESPONSABILIDAD POR PERDIDA DE BENEFICIOS) QUE SE PRODUZCA COMO CONSECUENCIA DE LA VENTA O UTILIZACION DE ESTE PRODUCTO. ALGUNOS ESTADOS DE LOS EE.UU. Y ALGUNAS PROVINCIAS CANADIENSES NO PERMITEN LA EXCLUSION O LIMITACION DE LOS DAÑOS INCIDENTALES O EMERGENTES, POR LO QUE ES POSIBLE QUE LA LIMITACION O EXCLUSION ANTERIOR NO SEA APLICABLE EN EL CASO DE USTED.

ESTA GARANTIA LIMITADA LE CONFIERE A USTED DERECHOS LEGALES ESPECIFICOS Y ES POSIBLE QUE USTED TAMBIEN TENGA OTROS DERECHOS QUE VARIAN DE ESTADO A ESTADO EN LOS EE.UU., DE PROVINCIA A PROVINCIA EN CANADA Y DE UN PAIS A OTRO.

ESTA GARANTIA LIMITADA SE APLICA SOLAMENTE A HERRAMIENTAS ELECTRICAS PORTATILES Y PARA TABLERO DE BANCO VENDIDAS EN LOS ESTADOS UNIDOS DE AMERICA, CANADA Y EL ESTADO LIBRE ASOCIADO DE PUERTO RICO. PARA COBERTURA DE GARANTIA EN OTROS PAISES, PONGASE EN CONTACTO CON SU DISTRIBUIDOR O IMPORTADOR LOCAL DE BOSCH.

© Robert Bosch Tool Corporation 1800 W. Central Road Mt. Prospect, IL 60056-2230

Exportado por: Robert Bosch Tool Corporation Mt. Prospect, IL 60056-2230, E.U.A.

Importado en México por: Robert Bosch, S.A. de C.V., Calle Robert Bosch No. 405, Zona Industrial, Toluca, Edo. de México, C.P. 50070, Tel. (722) 2792300



## Free Manuals Download Website

<http://myh66.com>

<http://usermanuals.us>

<http://www.somanuals.com>

<http://www.4manuals.cc>

<http://www.manual-lib.com>

<http://www.404manual.com>

<http://www.luxmanual.com>

<http://aubethermostatmanual.com>

Golf course search by state

<http://golfingnear.com>

Email search by domain

<http://emailbydomain.com>

Auto manuals search

<http://auto.somanuals.com>

TV manuals search

<http://tv.somanuals.com>