

**IMPORTANT:**  
**Read Before Using**

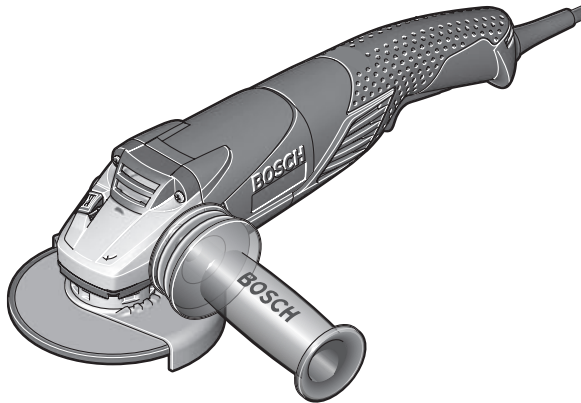
**IMPORTANT :**  
**Lire avant usage**

**IMPORTANTE:**  
**Leer antes de usar**



**Operating/Safety Instructions**  
**Consignes de fonctionnement/sécurité**  
**Instrucciones de funcionamiento y seguridad**

**1821**  
**1821D**



**BOSCH**

**Call Toll Free for  
Consumer Information  
& Service Locations**

**Pour obtenir des informations  
et les adresses de nos centres  
de service après-vente,  
appelez ce numéro gratuit**

**Llame gratis para  
obtener información  
para el consumidor y  
ubicaciones de servicio**

**1-877-BOSCH99 (1-877-267-2499) [www.boschtools.com](http://www.boschtools.com)**

**For English Version  
See page 2**

**Version française  
Voir page 18**

**Versión en español  
Ver la página 34**

## General Power Tool Safety Warnings

### **⚠ WARNING**

**Read all safety warnings and all instructions.** Failure to follow the warnings and instructions may result in electric shock, fire and/or serious injury.

### **SAVE ALL WARNINGS AND INSTRUCTIONS FOR FUTURE REFERENCE**

The term "power tool" in the warnings refers to your mains-operated (corded) power tool or battery-operated (cordless) power tool.

#### **1) Work area safety**

- a) **Keep work area clean and well lit.** Cluttered or dark areas invite accidents.
- b) **Do not operate power tools in explosive atmospheres, such as in the presence of flammable liquids, gases or dust.** Power tools create sparks which may ignite the dust or fumes.
- c) **Keep children and bystanders away while operating a power tool.** Distractions can cause you to lose control.

#### **2) Electrical safety**

- a) **Power tool plugs must match the outlet. Never modify the plug in any way. Do not use any adapter plugs with earthed (grounded) power tools.** Unmodified plugs and matching outlets will reduce risk of electric shock.
- b) **Avoid body contact with earthed or grounded surfaces such as pipes, radiators, ranges and refrigerators.** There is an increased risk of electric shock if your body is earthed or grounded.
- c) **Do not expose power tools to rain or wet conditions.** Water entering a power tool will increase the risk of electric shock.
- d) **Do not abuse the cord. Never use the cord for carrying, pulling or unplugging the power tool. Keep cord away from heat, oil, sharp edges or moving parts.** Damaged or entangled cords increase the risk of electric shock.
- e) **When operating a power tool outdoors, use an extension cord suitable for outdoor use.** Use of a cord suitable for outdoor use reduces the risk of electric shock.

- f) **If operating a power tool in a damp location is unavoidable, use a Ground Fault Circuit Interrupter (GFCI) protected supply.** Use of an GFCI reduces the risk of electric shock.

#### **3) Personal safety**

- a) **Stay alert, watch what you are doing and use common sense when operating a power tool. Do not use a power tool while you are tired or under the influence of drugs, alcohol or medication.** A moment of inattention while operating power tools may result in serious personal injury.
- b) **Use personal protective equipment. Always wear eye protection.** Protective equipment such as dust mask, non-skid safety shoes, hard hat, or hearing protection used for appropriate conditions will reduce personal injuries.
- c) **Prevent unintentional starting. Ensure the switch is in the off-position before connecting to power source and / or battery pack, picking up or carrying the tool.** Carrying power tools with your finger on the switch or energizing power tools that have the switch on invites accidents.
- d) **Remove any adjusting key or wrench before turning the power tool on.** A wrench or a key left attached to a rotating part of the power tool may result in personal injury.
- e) **Do not overreach. Keep proper footing and balance at all times.** This enables better control of the power tool in unexpected situations.
- f) **Dress properly. Do not wear loose clothing or jewelry. Keep your hair, clothing and gloves away from moving parts.** Loose clothes, jewelry or long hair can be caught in moving parts.
- g) **If devices are provided for the connection of dust extraction and collection facilities, ensure these are connected and properly used.** Use of dust collection can reduce dust-related hazards.

#### **4) Power tool use and care**

- a) **Do not force the power tool. Use the correct power tool for your application.** The correct power tool will do the job better and safer at the rate for which it was designed.

- b) **Do not use the power tool if the switch does not turn it on and off.** Any power tool that cannot be controlled with the switch is dangerous and must be repaired.
- c) **Disconnect the plug from the power source and/or the battery pack from the power tool before making any adjustments, changing accessories, or storing power tools.** Such preventive safety measures reduce the risk of starting the power tool accidentally.
- d) **Store idle power tools out of the reach of children and do not allow persons unfamiliar with the power tool or these instructions to operate the power tool.** Power tools are dangerous in the hands of untrained users.
- e) **Maintain power tools. Check for misalignment or binding of moving parts, breakage of parts and any other condition that may affect the power tool's operation. If damaged, have the power tool repaired before use.** Many accidents are caused by poorly maintained power tools.
- f) **Keep cutting tools sharp and clean.** Properly maintained cutting tools with sharp cutting edges are less likely to bind and are easier to control.
- g) **Use the power tool, accessories and tool bits etc. in accordance with these instructions, taking into account the working conditions and the work to be performed.** Use of the power tool for operations different from those intended could result in a hazardous situation.

#### 5) Service

- a) **Have your power tool serviced by a qualified repair person using only identical replacement parts.** This will ensure that the safety of the power tool is maintained.

## Power Tool-Specific Safety Warnings

### Safety Warnings Common for Grinding, Sanding, Wire Brushing, and Abrasive Cutting-Off Operations:

- a) **This power tool is intended to function as a grinder, sander, wire brush or cut-off tool. Read all safety warnings, instructions, illustrations and specifications provided with this power tool.** Failure to follow all instructions listed below may result in electric shock, fire and/or serious injury.
- b) **This power tool is not recommended for polishing.** Operations for which the power tool was not designed may create a hazard and cause personal injury.
- c) **Do not use accessories which are not specifically designed and recommended by the tool manufacturer.** Just because the accessory can be attached to your power tool, it does not assure safe operation.
- d) **The rated speed of the accessory must be at least equal to the maximum speed marked on the power tool.** Accessories running faster than their RATED SPEED can break and fly apart.
- e) **The outside diameter and the thickness of your accessory must be within the capacity rating of your power tool.** Incorrectly sized accessories cannot be adequately guarded or controlled.
- f) **The arbor size of wheels, flanges, backing pads or any other accessory must properly fit the spindle of the power tool.** Accessories with arbor holes that do not match the mounting hardware of the power tool will run out of balance, vibrate excessively and may cause loss of control.
- g) **Do not use a damaged accessory. Before each use inspect the accessory such as abrasive wheels for chips and cracks, backing pad for cracks, tear or excess wear, wire brush for loose or cracked wires. If power tool or accessory is dropped, inspect for damage or install an undamaged accessory. After inspecting and installing an accessory, position yourself and bystanders away from the plane of the rotating accessory and run the power tool at maximum no-load speed for one minute.** Damaged accessories will normally break apart during this test time.

- h) Wear personal protective equipment. Depending on application, use face shield, safety goggles or safety glasses. As appropriate, wear dust mask, hearing protectors, gloves and workshop apron capable of stopping small abrasive or workpiece fragments.** The eye protection must be capable of stopping flying debris generated by various operations. The eye protection must be capable of stopping flying debris generated by various operations. The dust mask or respirator must be capable of filtrating particles generated by your operation. Prolonged exposure to high intensity noise may cause hearing loss.
- i) Keep bystanders a safe distance away from work area. Anyone entering the work area must wear personal protective equipment.** Fragments of workpiece or of a broken accessory may fly away and cause injury beyond immediate area of operation.
- j) Hold power tool by insulated gripping surfaces only, when performing an operation where the cutting accessory may contact hidden wiring or its own cord.** Cutting accessory contacting a "live" wire may make exposed metal parts of the power tool "live" and shock the operator.
- k) Position the cord clear of the spinning accessory.** If you lose control, the cord may be cut or snagged and your hand or arm may be pulled into the spinning accessory.
- l) Never lay the power tool down until the accessory has come to a complete stop.** The spinning accessory may grab the surface and pull the power tool out of your control.
- m) Do not run the power tool while carrying it at your side.** Accidental contact with the spinning accessory could snag your clothing, pulling the accessory into your body.
- n) Regularly clean the power tool's air vents.** The motor's fan will draw the dust inside the housing and excessive accumulation of powdered metal may cause electrical hazards.
- o) Do not operate the power tool near flammable materials.** Sparks could ignite these materials.
- p) Do not use accessories that require liquid coolants.** Using water or other liquid coolants may result in electrocution or shock.

### Kickback and Related Warnings

Kickback is a sudden reaction to a pinched or snagged rotating wheel, backing pad, brush or any other accessory. Pinching or snagging causes rapid stalling of the rotating accessory which in turn causes the uncontrolled power tool to be forced in the direction opposite of the accessory's rotation at the point of the binding.

For example, if an abrasive wheel is snagged or pinched by the workpiece, the edge of the wheel that is entering into the pinch point can dig into the surface of the material causing the wheel to climb out or kickout. The wheel may either jump toward or away from the operator, depending on direction of the wheel's movement at the point of pinching. Abrasive wheels may also break under these conditions.

Kickback is the result of power tool misuse and/or incorrect operating procedures or conditions and can be avoided by taking proper precautions as given below.

- a) Maintain a firm grip on the power tool and position your body and arm to allow you to resist kickback forces. Always use auxiliary handle, if provided, for maximum control over kickback or torque reaction during start-up.** The operator can control torque reactions or kickback forces, if proper precautions are taken.
- b) Never place your hand near the rotating accessory.** Accessory may kickback over your hand.
- c) Do not position your body in the area where power tool will move if kickback occurs.** Kickback will propel the tool in direction opposite to the wheel's movement at the point of snagging.
- d) Use special care when working corners, sharp edges etc. Avoid bouncing and snagging the accessory.** Corners, sharp edges or bouncing have a tendency to snag the rotating accessory and cause loss of control or kickback.
- e) Do not attach a saw chain woodcarving blade or toothed saw blade.** Such blades create frequent kickback and loss of control.

### Safety Warnings Specific for Grinding and Abrasive Cutting-Off Operations:

- a) Use only wheel types that are recommended for your power tool and the specific guard designed for the selected wheel.** Wheels for which the

power tool was not designed cannot be adequately guarded and are unsafe.

- b) **The guard must be securely attached to the power tool and positioned for maximum safety, so the least amount of wheel is exposed towards the operator.** The guard helps to protect operator from broken wheel fragments and accidental contact with wheel.
- c) **Wheels must be used only for recommended applications. For example: do not grind with the side of cut-off wheel.** Abrasive cut-off wheels are intended for peripheral grinding, side forces applied to these wheels may cause them to shatter.
- d) **Always use undamaged wheel flanges that are of correct size and shape for your selected wheel.** Proper wheel flanges support the wheel thus reducing the possibility of wheel breakage. Flanges for cut-off wheels may be different from grinding wheel flanges.
- e) **Do not use worn down wheels from larger power tools.** Wheel intended for larger power tool is not suitable for the higher speed of a smaller tool and may burst.

#### **Additional Safety Warnings Specific for Abrasive Cutting-Off Operations:**

**Do not attempt to cut large stock or sheets of metal as this machine is not designed to be a dedicated cut-off machine.**

- a) **Do not “jam” the cut-off wheel or apply excessive pressure. Do not attempt to make an excessive depth of cut.** Overstressing the wheel increases the loading and susceptibility to twisting or binding of the wheel in the cut and the possibility of kickback or wheel breakage.
- b) **Do not position your body in line with and behind the rotating wheel.** When the wheel, at the point of operation, is moving away from your body, the possible kickback may propel the spinning wheel and the power tool directly at you.
- c) **When wheel is binding or when interrupting a cut for any reason, switch off the power tool and hold the power**

**tool motionless until the wheel comes to a complete stop. Never attempt to remove the cut-off wheel from the cut while the wheel is in motion otherwise kickback may occur.** Investigate and take corrective action to eliminate the cause of wheel binding.

- d) **Do not restart the cutting operation in the workpiece. Let the wheel reach full speed and carefully reenter the cut.** The wheel may bind, walk up or kickback if the power tool is restarted in the workpiece.
- e) **Support panels or any oversized workpiece to minimize the risk of wheel pinching and kickback.** Large workpieces tend to sag under their own weight. Supports must be placed under the workpiece near the line of cut and near the edge of the workpiece on both sides of the wheel.
- f) **Use extra caution when making a “pocket cut” into existing walls or other blind areas.** The protruding wheel may cut gas or water pipes, electrical wiring or objects that can cause kickback.

**Do not use type 1 abrasive wheels designed for straight grinding.**

#### **Safety Warnings Specific for Sanding Operations:**

- a) **Do not use excessively oversized sanding disc paper. Follow manufacturer’s recommendations, when selecting sanding paper.** Larger sanding paper extending beyond the sanding pad presents a laceration hazard and may cause snagging, tearing of the disc or kickback.

#### **Safety Warnings Specific for Wire Brushing Operations:**

- a) **Be aware that wire bristles are thrown by the brush even during ordinary operation. Do not overstress the wires by applying excessive load to the brush.** The wire bristles can easily penetrate light clothing and/or skin.
- b) **If the use of a guard is recommended for wire brushing, do not allow any interference of the wire wheel or brush with the guard.** Wire wheel or brush may expand in diameter due to work load and centrifugal forces.



## Additional Safety Warnings

GFCI and personal protection devices like electrician's rubber gloves and footwear will further enhance your personal safety.

**Do not use AC only rated tools with a DC power supply.** While the tool may appear to work, the electrical components of the AC rated tool are likely to fail and create a hazard to the operator.

**Keep handles dry, clean and free from oil and grease.** Slippery hands cannot safely control the power tool.

**Use clamps or other practical way to secure and support the workpiece to a stable platform.** Holding the work by hand or against your body is unstable and may lead to loss of control.

**Develop a periodic maintenance schedule for your tool. When cleaning a tool be careful not to disassemble any portion of the tool since internal wires may be misplaced or pinched or safety guard return springs may be improperly mounted.** Certain cleaning agents such as gasoline, carbon tetrachloride, ammonia, etc. may damage plastic parts.

Risk of injury to user. The power cord must only be serviced by a Bosch Factory Service Center or Authorized Bosch Service Station.

**Use hand guard when sanding and brushing.**

**Do not use type 1 wheels for face grinding.** Side forces applied to type 1 wheels may cause them to shatter or burst.

**⚠ WARNING** Some dust created by power sanding, sawing, grinding, drilling, and other construction activities contains chemicals known to cause cancer, birth defects or other reproductive harm. Some examples of these chemicals are:




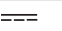
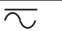







- Lead from lead-based paints,
- Crystalline silica from bricks and cement and other masonry products, and
- Arsenic and chromium from chemically-treated lumber.

Your risk from these exposures varies, depending on how often you do this type of work. To reduce your exposure to these chemicals: work in a well ventilated area, and work with approved safety equipment, such as those dust masks that are specially designed to filter out microscopic particles.



## Symbols

**IMPORTANT:** Some of the following symbols may be used on your tool. Please study them and learn their meaning. Proper interpretation of these symbols will allow you to operate the tool better and safer.

Symbol	Name	Designation/Explanation
V	Volts	Voltage (potential)
A	Amperes	Current
Hz	Hertz	Frequency (cycles per second)
W	Watt	Power
kg	Kilograms	Weight
min	Minutes	Time
s	Seconds	Time
$\varnothing$	Diameter	Size of drill bits, grinding wheels, etc.
$n_0$	No load speed	Rotational speed, at no load
n	Rated speed	Maximum attainable speed
.../min	Revolutions or reciprocation per minute	Revolutions, strokes, surface speed, orbits etc. per minute
0	Off position	Zero speed, zero torque...
1, 2, 3, ... I, II, III,	Selector settings	Speed, torque or position settings. Higher number means greater speed
	Infinitely variable selector with off	Speed is increasing from 0 setting
	Arrow	Action in the direction of arrow
	Alternating current	Type or a characteristic of current
	Direct current	Type or a characteristic of current
	Alternating or direct current	Type or a characteristic of current
	Class II construction	Designates Double Insulated Construction tools.
	Earthing terminal	Grounding terminal
	Warning symbol	Alerts user to warning messages
	Li-ion RBRC seal	Designates Li-ion battery recycling program
	Ni-Cad RBRC seal	Designates Ni-Cad battery recycling program
	Read manual symbol	Alerts user to read manual
	Wear eye protection symbol	Alerts user to wear eye protection





## Symbols (continued)

**IMPORTANT:** Some of the following symbols may be used on your tool. Please study them and learn their meaning. Proper interpretation of these symbols will allow you to operate the tool better and safer.



This symbol designates that this tool is listed by Underwriters Laboratories.



This symbol designates that this tool is recognized by Underwriters Laboratories.



This symbol designates that this tool is listed by Underwriters Laboratories, to United States and Canadian Standards.



This symbol designates that this tool is listed by the Canadian Standards Association.



This symbol designates that this tool is listed by the Canadian Standards Association, to United States and Canadian Standards.



This symbol designates that this tool is listed by the Intertek Testing Services, to United States and Canadian Standards.



This symbol designates that this tool complies to NOM Mexican Standards.



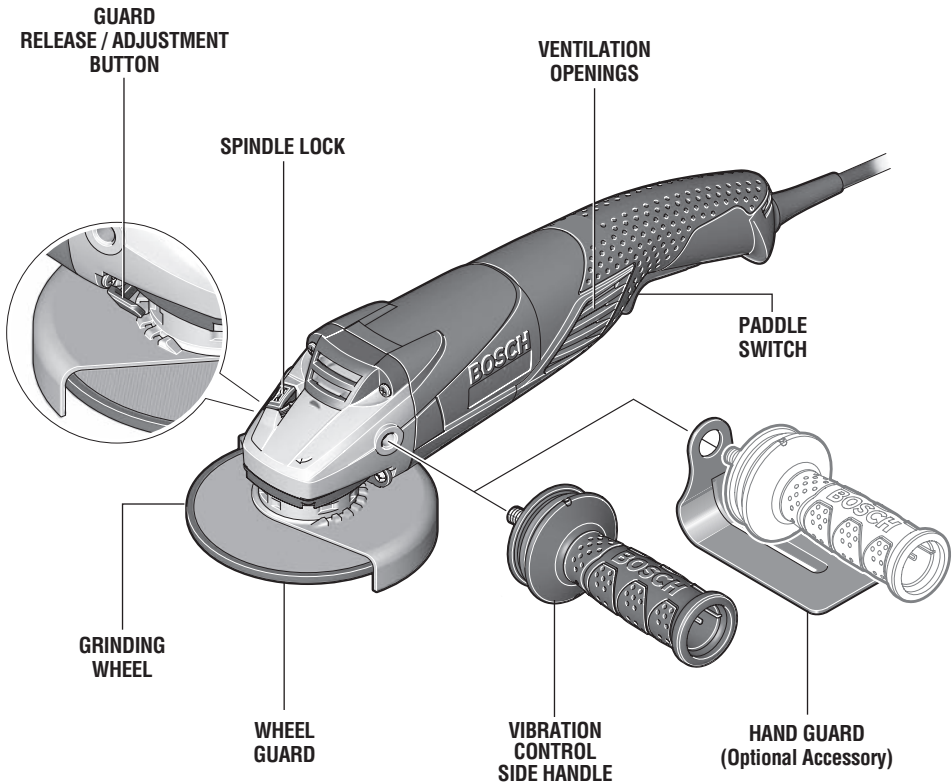


## Functional Description and Specifications

**WARNING** Disconnect the plug from the power source before making any assembly, adjustments or changing accessories. Such preventive safety measures reduce the risk of starting the tool accidentally.

### Angle Grinders

FIG. 1



Model number	1821, 1821D
* Rated speed	n 11,000/min
* Max. abrasive wheel diameter	5" (125 mm)
Spindle thread	5/8"-11 UNC
Max. spindle length	9/16"
Max. wire wheel	4" Dia.
Max. wire cup brush	3" Dia.
* Max. sanding disc	5" Dia.

## Functional Description and Specifications (Continued)

Model number	1821, 1821D
Max. type 1 and 27 grinding wheels	5" Dia.
* Max. type 1A and 27A cutting wheel	5" Dia.
* Max. flap disc	5" Dia.

Accessory speed rating must be equal to or greater than the tool's speed rating. Do not exceed the recommended wheel diameter.

**NOTE:** Not recommended for use with type 11 cup wheels.

\* **NOTE:** For tool specifications refer to the nameplate on your tool.

## Assembly

### WHEEL GUARD INSTALLATION

**WARNING** Wheel guard must be attached when using disc grinding or cutting wheels. Always keep wheel guard between you and your work while grinding or cutting.

The position of the guard can be adjusted to accommodate the operation being performed.

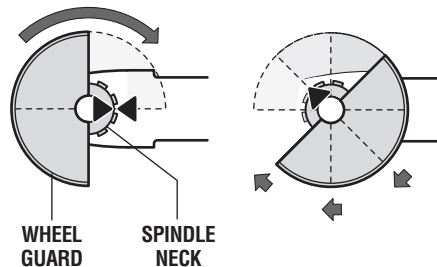
To attach wheel guard DISCONNECT tool from power source.

Position wheel guard on spindle neck so that the arrow on guard lines up with the arrow on the spindle neck. Rotate wheel guard clockwise 90° until it clicks in place (Fig. 2).

TO ADJUST GUARD: depress guard release button (Fig. 1), rotate guard to desired position, release button and let it click in place.

TO REMOVE GUARD: Depress release button, rotate guard until arrow on guard lines up with arrow on spindle neck, and remove guard from spindle neck.

FIG. 2



### LOCK NUT AND BACKING FLANGE

Your tool is equipped with a threaded spindle for mounting accessories. Always use the supplied lock nut (and backing flange) that has same thread size as spindle.

### VIBRATION CONTROL SIDE HANDLE

The side handle is used to control and balance the tool. The handle must be threaded into the front housing on either side of the tool, depending on personal preference and comfort. Use the side handle for safe control and ease of operation (Fig. 1).

### OPTIONAL HAND GUARD

The hand guard is to be used with backing pads, sanding discs and wire brushes to keep fingers and hand away from work surface, sharp edges, burrs and debris. When using the optional hand guard accessory insert side handle through hole in guard and then thread into housing (Fig. 1).

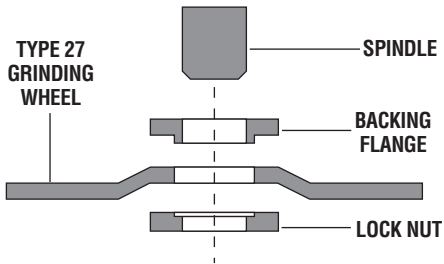
Ensure that hand guard is positioned between hand and backing pad, sanding disc or wire brush.

**DISC GRINDING WHEEL ASSEMBLY**

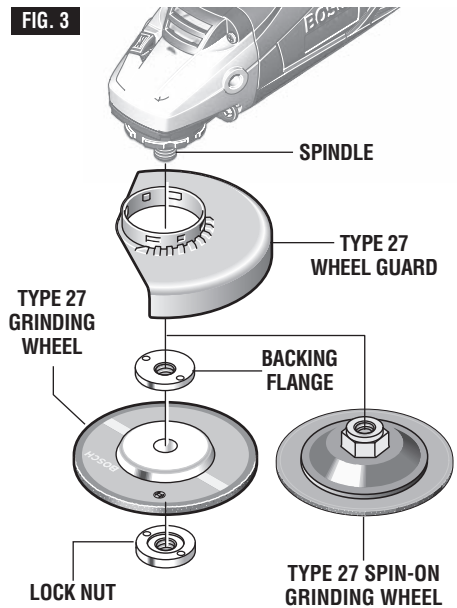
Disconnect tool from power source. Be sure that wheel guard is in place for grinding. Place BACKING FLANGE and GRINDING WHEEL on the spindle. Thread on the lock nut and tighten nut using the supplied lock nut wrench, while holding the spindle lock in (Fig. 3).

TO REMOVE: Reverse procedure.

When using spin-on wheels, thread directly onto the spindle.



**FIG. 3**



**ABRASIVE TYPE 1A & 27A WHEEL ASSEMBLY**

Using the optional type 1A wheel guard, it is possible to perform limited cutting on small stock such as metal tubes, piping or rebar.

Do not attempt to cut large stock or sheets of metal as this tool is not designed to be a dedicated cutting tool.

**WARNING** Always use type 1A protection guard for cutting.

Disconnect tool from power source. Be sure that wheel guard is in place for cutting.

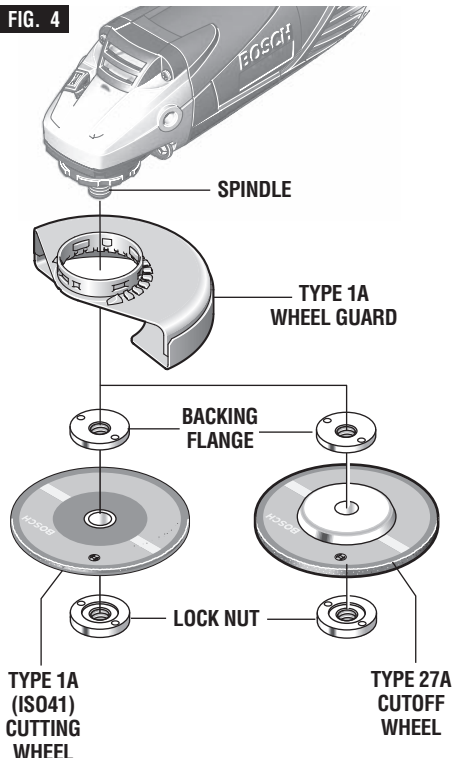
When using mounting wheels, thread BACKING FLANGE onto spindle, then place WHEEL on the spindle. Thread on the lock nut and tighten nut using a lock nut wrench provided with adapter kit, while holding the spindle lock in (Fig. 4).

TO REMOVE: Reverse procedure.

**TYPE 1 ABRASIVE STRAIGHT GRINDING WHEELS**

**WARNING** Do not use type 1 abrasive wheels designed for straight/die grinding. This tool is not designed for use with type 1 abrasive straight/die grinding wheels.

**FIG. 4**



**SANDING ACCESSORIES ASSEMBLY  
BACKING PAD**

**⚠ WARNING** Before attaching a backing pad be sure its maximum safe operating speed is not exceeded by the nameplate speed of the tool.

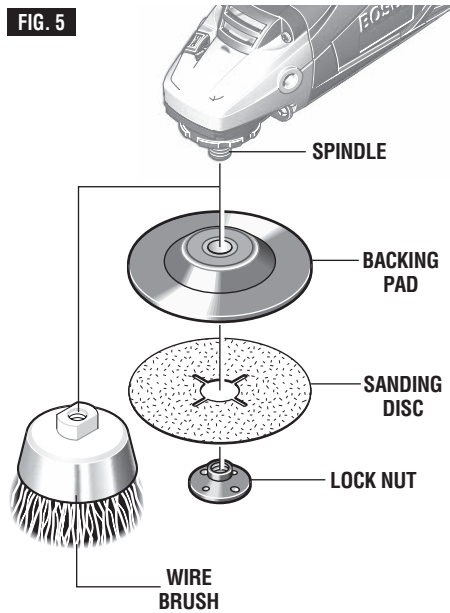
**⚠ WARNING** Wheel guard may not be used for most sanding operations. Always reinstall wheel guard when converting back to grinding operations.

**TO INSTALL BACKING PAD AND  
SANDING DISC**

Disconnect tool from power source.  
Attach hand guard (Fig. 1). Set the tool on its top side (spindle up). Place the rubber backing pad onto the spindle shaft. Center the sanding disc on top of the backing pad. Insert the lock nut through the disc and thread onto the spindle as far as you can with your fingers. Press in the spindle lock, then tighten the backing pad securely with lock nut wrench (Fig. 5).

TO REMOVE: Reverse procedure.

**FIG. 5**



**WIRE BRUSH ASSEMBLY**

Before assembling wire brush to this tool, disconnect from the power source. Attach hand guard (Fig. 1). Wire brushes are equipped with their own threaded hub, simply thread on to spindle. Be sure to seat against shoulder before turning tool "ON".

TO REMOVE: Reverse procedure.

**WIRE WHEEL ASSEMBLY**

Before assembling wire wheel to this tool, disconnect from the power source. Attach type 27 guard (Fig. 2). Wire wheels are equipped with their own threaded hub, simply thread on to spindle. Be sure to seat against shoulder before turning tool "ON".

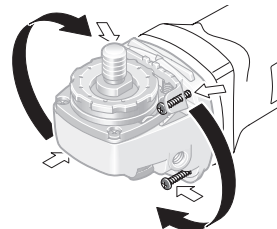
TO REMOVE: Reverse procedure.

**MASONRY CUTTING WHEEL ASSEMBLY**

Disconnect plug from power source. Completely unscrew the four screws and rotate the tool head carefully to the new position without removing it from the housing. For paddle switch tools, switch should face "down" towards work surface. For slide switch tools, slide should face "up" towards user, so the tool can be used for long masonry cutting applications. Screw in and tighten the four screws again. (Fig. 6)

**⚠ WARNING** Return tool head to original position when returning to grinding, sanding, brushing or metal cutting applications.

**FIG. 6**

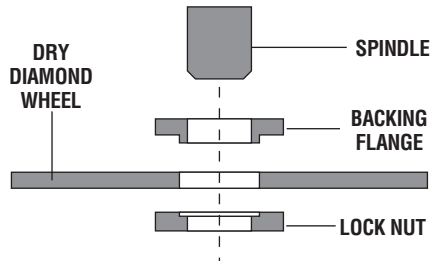
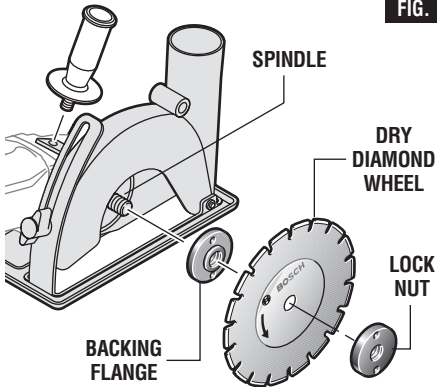


Install dust extraction guard with foot plate for masonry cutting applications so that the rotation of the wheel will be towards the vacuum extraction port. Place BACKING FLANGE and DRY DIAMOND WHEEL on the spindle. Thread on the LOCK NUT and tighten nut using the supplied lock nut wrench, while holding the spindle lock in. (Fig. 7)

**WARNING** Use only lock nut and flange with equal diameters.

**WARNING** Do not use water or other cooling fluid with this tool for cutting.

FIG. 7



## Operating Instructions

**WARNING** Hold the tool with both hands while starting the tool, since torque from the motor can cause the tool to twist.

Start the tool before applying to work and let the tool come to full speed before contacting the workpiece. Lift the tool from the work before releasing the switch. DO NOT turn the switch "ON" and "OFF" while the tool is under load; this will greatly decrease the switch life.

### "TRI-CONTROL" PADDLE SWITCH (Models 1821 only)

The "Tri-Control" Paddle Switch enables the operator to control the switch functions of "Lock-OFF", "ON/OFF" and "Lock-ON".

**TO UNLOCK SWITCH AND TURN TOOL "ON":** Push paddle lever FORWARD (toward the spindle) then squeeze the paddle lever.

**TO SWITCH TOOL "OFF":** Release pressure on paddle lever. The switch is spring loaded and will return to "OFF" position automatically.

The "Lock-ON" feature, incorporated into the paddle switch, is a convenience for long operations.

**TO LOCK SWITCH "ON":** After paddle switch has been activated push paddle lever completely FORWARD and release paddle lever.

**TO SWITCH TOOL "OFF":** Squeeze and then release paddle lever. The switch is spring loaded and will return to "OFF" position automatically.

### PADDLE SWITCH WITH "LOCK-OFF" FEATURE (Model 1821D only)

The Paddle switch enables the operator to control the switch functions of "Lock-OFF", and "ON/OFF".

**TO UNLOCK SWITCH AND TURN TOOL "ON":** Push paddle lever FORWARD (toward the spindle) then squeeze the paddle lever.

**TO SWITCH TOOL "OFF":** Release pressure on paddle lever. The switch is spring loaded and will return to "OFF" position automatically.

## Grinding Operations

### SELECTING GRINDING WHEELS

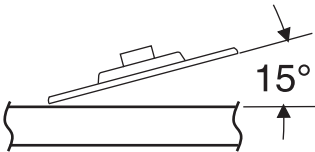
**⚠ WARNING** Before using a grinding wheel, be certain that its maximum safe operating speed is not exceeded by the nameplate speed of the grinder. Do not exceed the recommended wheel diameter.

### DISC GRINDING WHEELS

Grinding wheels should be carefully selected in order to use the grinder most efficiently. Wheels vary in type of abrasive, bond, hardness, grit size and structure. The correct type of wheel to use is determined by the job. Use disc grinding wheels for fast grinding of structural steel, heavy weld beads, steel casting, stainless steel and other ferrous metals.

### GRINDING TIPS

Efficient grinding is achieved by controlling the pressure and keeping the angle between wheel and workpiece at  $10^{\circ}$  to  $15^{\circ}$ . If the wheel is flat, the tool is difficult to control. If the angle is too steep, the pressure is concentrated on a small area causing burning to the work surface.



**⚠ WARNING** Excessive or sudden pressure on the wheel will slow grinding action and put dangerous stresses on the wheel.

When grinding with a new wheel be certain to grind while pulling tool backwards until wheel becomes rounded on its edge. New wheels have sharp corners which tend to "bite" or cut into workpiece when pushing forward.

### CUTTING METAL

Using the optional type 1A wheel guard, it is possible to perform limited cutting on small stock such as metal tubes, piping or rebar. When cutting, work with moderate feed, adapted to the material being cut. Do not exert side pressure onto the cutting disc, tilt or oscillate the tool. When cutting profiles and square bar, it is best to start at the smallest cross section.

Always follow precautions for kickback.

Do not apply side pressure to cutting wheel to reduce wheel speed.

The tool should always be used so that sparks are directed away from user.

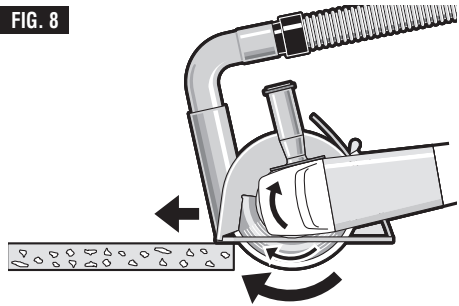
### CUTTING MASONRY

Operate the tool only with dust extraction and additionally wear a dust protection mask. The vacuum used for this application must be approved for the extraction of masonry dust. Bosch sells suitable vacuum cleaners.

**⚠ WARNING** When cutting masonry always use dust extraction with foot plate. The tool may be used only for dry cutting. When cutting masonry use a dry diamond wheel.

Always cut towards the dust extraction port (Fig. 8).

**FIG. 8**



Turn the tool on and place the front part of the cutting guide on the workpiece. Slide the tool with moderate rate of feed, adapted to the material to be cut.

When doing deep cuts, it is best to cut in several shallow passes.

When cutting especially hard material, e. g., concrete with high pebble content, the dry diamond wheel can overheat and become damaged. This is clearly indicated by circular sparking of the rotating dry diamond wheel.

In this case, interrupt the cutting process and allow the dry diamond wheel to cool by running the tool for a short time at maximum speed with no load.

Noticeable decreasing work progress and circular sparking are indications of a dry diamond wheel that has become dull. Briefly cutting into abrasive materials (e. g. brick) can resharpen the wheel again.

## Sanding Operations

### SELECTING SANDING DISC

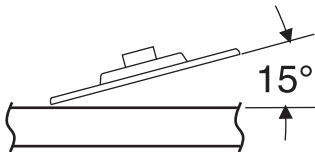
Sanding discs are made of extremely hard and sharp aluminum oxide grits, phenol-resin bonded to a sturdy fiber backing for fast heavy-duty service and long life. The discs vary as to size and spacing of the abrasive grits. OPEN COAT (type H) — used for soft materials and on paint or varnish. CLOSED COAT (type K) —used for metal, hardwood, stone, marble and other materials.

Sanding discs range in grit from 16 (very coarse) to 180 (very fine). To obtain best results, select sanding discs carefully. Many jobs require the use of several grit sizes and at times both “open coat and closed coat” discs are required to get the job done faster. See chart for application examples.

Operation: Refinishing painted wood or metal surfaces.	
REMARKS	GRIT
To remove paint and to smooth surface irregularities.	Coarse 16-24-30
To smooth the rough sanding.	Medium 36-50-80
To remove scratches left by previous discs.	Fine 100-120
To smooth surfaces for painting, polishing or waxing.	Very Fine 150-180

### SANDING TIPS

For best results, tilt the Disc Sander at a 10° to 15° angle while sanding so that only about 1" of the surface around the edge of the disc contacts the work.



**WARNING** If the disc (accessory) is held flat or the back edge of the disc comes in contact with the work, a violent thrust to the side may result.

If sander is tilted too much, sanding action will be too great and a rough cut surface or gouging and snagging will result.

Guide the Disc Sander with crosswise strokes. Be careful not to hold the sander in one spot too long. Do not use a circular motion, as this makes swirl marks. Test before use on scrap stock.

Do not force or apply pressure when sanding. Use only the weight of the tool for pressure. Excess pressure actually slows the tool down. If faster stock removal is desired, change to a coarser grit disc.

Remove gummy paint from metal with an “open coat” disc. Sand until sparks start to appear, then stop and change to a “closed coat” disc to remove any remaining paint.

### SANDING WOOD

When sanding wood the direction of the disc motion at the contact point should parallel the grain as much as possible. The rapid cut of discs and the swirl type scratch pattern they occasionally create generally prohibit their use for producing the final finish.

Scratches and circular marks are usually the result of using too coarse a grit. When changing to a finer grit, move across the sanding lines that were made by a previous coarser disc.

### SANDING METAL

When sanding automobiles or appliances, wipe the metal clean with a non-flammable solvent or commercial cleaner to remove all wax and grease. By doing this first, the sanding discs will sand better and last longer.

For heavy duty work, use a coarse grit disc first. Follow-up with a medium grit to remove scratches. To produce smooth finish, use fine grit disc.



## Wire Brush Operations

Wire brushes are intended to “clean” structural steel, castings, sheet metal, stone and concrete. They are used to remove rust, scale and paint.

**⚠ WARNING** Avoid bouncing and snagging the wire brush, especially when working corners, sharp edges etc. This can cause loss of control and kick-back.

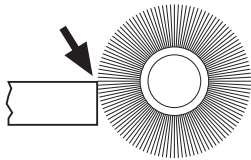
**⚠ WARNING** Be aware that wire bristles are thrown by the brush even during ordinary operation. Do not overstress the wires by applying excessive load to the brush. The wire bristles can easily penetrate light clothing and/or skin.

### BRUSHING PRESSURE

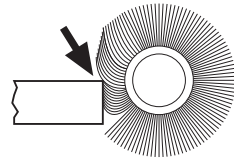
1. Remember, the tips of a wire brush do the work. Operate the brush with the lightest pressure so only the tips of the wire come in contact with the work.
2. If heavier pressures are used, the wires will be overstressed, resulting in a wiping action; and if this is continued, the life of the brush will be shortened due to wire fatigue.
3. Apply the brush to the work in such a way that as much of the brush face as possible is in full contact with the work. Applying the side or edge of the brush to the work will result in wire breakage and shortened brush life.

### WIRE WHEEL BRUSH

**CORRECT:**  
Wire tips doing the work.

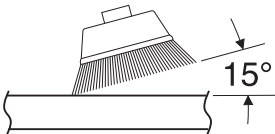


**INCORRECT:**  
Excessive pressure can cause wire breakage.

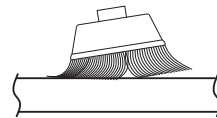


### WIRE CUP BRUSH

**CORRECT:**  
Wire tips doing the work.



**INCORRECT:**  
Excessive pressure can cause wire breakage.



## Maintenance

### Service

**⚠ WARNING** Preventive maintenance performed by unauthor-ized personnel may result in misplacing of internal wires and components which could cause serious hazard. We recommend that all tool service be performed by a Bosch Factory Service Center or Authorized Bosch Service Station.

### TOOL LUBRICATION

Your Bosch tool has been properly lubricated and is ready to use. It is recommended that tools with gears be regreased with a special gear lubricant at every brush change.

### CARBON BRUSHES

The brushes and commutator in your tool have been engineered for many hours of dependable service. To maintain peak efficiency of the motor, we recommend every two to six months the brushes be examined. Only genuine Bosch replacement brushes specially designed for your tool should be used.

### BEARINGS

After about 300-400 hours of operation, or at every second brush change, the bearings should be replaced at Bosch Factory Service Center or Authorized Bosch Service Station. Bearings which become noisy (due to heavy load or very abrasive material cutting) should be replaced at once to avoid overheating or motor failure.

### Cleaning

**⚠ WARNING** To avoid accidents always disconnect the tool from the power supply before cleaning or performing any maintenance. The tool may be cleaned most effectively with compressed dry air. **Always wear safety goggles when cleaning tools with compressed air.**

Ventilation openings and switch levers must be kept clean and free of foreign matter. Do not attempt to clean by inserting pointed objects through openings.

**⚠ CAUTION** Certain cleaning agents and solvents damage plastic parts. Some of these are: gasoline, carbon tetrachloride, chlorinated cleaning solvents, ammonia and household detergents that contain ammonia.

## Extension Cords

**⚠ WARNING** If an extension cord is necessary, a cord with adequate size conductors that is capable of carrying the current necessary for your tool must be used. This will prevent excessive voltage drop, loss of power or overheating. Grounded tools must use 3-wire extension cords that have 3-prong plugs and receptacles.

**NOTE:** The smaller the gauge number, the heavier the cord.

### RECOMMENDED SIZES OF EXTENSION CORDS 120 VOLT ALTERNATING CURRENT TOOLS

Tool's Ampere Rating	Cord Size in A.W.G.				Wire Sizes in mm <sup>2</sup>			
	Cord Length in Feet				Cord Length in Meters			
	25	50	100	150	15	30	60	120
3-6	18	16	16	14	0.75	0.75	1.5	2.5
6-8	18	16	14	12	0.75	1.0	2.5	4.0
8-10	18	16	14	12	0.75	1.0	2.5	4.0
10-12	16	16	14	12	1.0	2.5	4.0	—
12-16	14	12	—	—	—	—	—	—

## Accessories

- \* Type 27 wheel guard
- \*\* Type 1A wheel guard
- \* Lock nut
- \* Grinding wheel
- \* Backing flange

- \* Side handle
- \* Lock nut wrench

(\* = standard equipment)  
(\*\* = optional accessories)

**NOTE:** Not recommended for use with type 11 cup wheels.

## Avertissements généraux concernant la sécurité des outils électroportatifs

**▲ AVERTISSEMENT** Veuillez lire tous les avertissements et toutes les consignes de sécurité. Si l'on n'observe pas ces avertissements et ces consignes de sécurité, il existe un risque de choc électrique, d'incendie et/ou de blessures corporelles graves.

### CONSERVEZ TOUS LES AVERTISSEMENTS ET TOUTES LES CONSIGNES DE SÉCURITÉ POUR RÉFÉRENCE FUTURE.

Dans les avertissements, le terme « outil électroportatif » se rapporte à votre outil branché sur le secteur (avec fil) ou à votre outil alimenté par piles (sans fil).

#### 1) Sécurité du lieu de travail

- a) **Maintenez le lieu de travail propre et bien éclairé.** Les risques d'accident sont plus élevés quand on travaille dans un endroit encombré ou sombre.
- b) **N'utilisez pas d'outils électroportatifs dans des atmosphères explosives, comme par exemple en présence de gaz, de poussières ou de liquides inflammables.** Les outils électroportatifs produisent des étincelles qui risquent d'enflammer les poussières ou les vapeurs.
- c) **Éloignez les enfants et les visiteurs quand vous vous servez d'un outil électroportatif.** Vous risquez une perte de contrôle si on vous distrait.

#### 2) Sécurité électrique

- a) **Les fiches des outils électroportatifs doivent correspondre à la prise. Il ne faut absolument jamais modifier la fiche. N'utilisez pas d'adaptateur de prise avec des outils électroportatifs munis d'une fiche de terre.** Le risque de choc électrique est moindre si on utilise une fiche non modifiée sur une prise qui lui correspond.
- b) **Évitez tout contact du corps avec des surfaces reliées à la terre tels que tuyaux, radiateurs, gazinières ou réfrigérateurs.** Le risque de choc électrique augmente si votre corps est relié à la terre.
- c) **N'exposez pas les outils électroportatifs à la pluie ou à l'humidité.** Si de l'eau pénètre dans un outil électroportatif, le risque de choc électrique augmente.
- d) **Ne maltraitez pas le cordon. Ne vous en servez jamais pour transporter l'outil électroportatif, pour le tirer ou pour le débrancher. Éloignez le cordon de la chaleur, des huiles, des arêtes coupantes ou des pièces mobiles.** Les cordons abîmés ou emmêlés augmentent les risques de choc électrique.
- e) **Si vous utilisez un outil électroportatif à l'extérieur, employez une rallonge conçue pour l'extérieur.** Ces rallonges sont faites pour l'extérieur et réduisent le risque de choc électrique.

- f) **S'il est absolument nécessaire d'utiliser l'outil électroportatif dans un endroit humide, utilisez une alimentation protégée par un disjoncteur de fuite de terre (GFCI).** L'utilisation d'un disjoncteur GFCI réduit les risques de choc électrique.

#### 3) Sécurité personnelle

- a) **Restez concentré, faites attention à ce que vous faites, et servez-vous de votre bon sens lorsque vous utilisez un outil électroportatif. N'employez pas d'outils électroportatifs quand vous êtes fatigué ou sous l'emprise de drogues, d'alcool ou de médicaments.** Quand on utilise des outils électroportatifs, il suffit d'un moment d'inattention pour causer des blessures corporelles graves.
  - b) **Utilisez des équipements de sécurité personnelle. Portez toujours une protection oculaire.** Le port d'équipements de sécurité tels que des masques antipoussières, des chaussures de sécurité antidérapantes, des casques de chantier et des protecteurs d'oreilles dans des conditions appropriées réduira le risque de blessure corporelle.
  - c) **Évitez les démarrages intempestifs. Assurez-vous que l'interrupteur est dans la position arrêt (Off) avant de brancher l'outil dans une prise de courant et/ou un bloc-piles, de le ramasser ou de le transporter.** Le transport d'un outil électroportatif avec le doigt sur la gâchette ou le branchement de cet outil quand l'interrupteur est en position de marche (ON) est une invite aux accidents.
  - d) **Enlevez toutes les clés de réglage avant de mettre l'outil électroportatif en marche.** Si on laisse une clé sur une pièce tournante de l'outil électroportatif, il y a risque de blessure corporelle.
  - e) **Ne vous penchez pas. Conservez toujours une bonne assise et un bon équilibre.** Ceci vous permettra de mieux maîtriser l'outil électroportatif dans des situations inattendues.
  - f) **Habillez-vous de manière appropriée. Ne portez pas de vêtements amples ou de bijoux. Attachez les cheveux longs. N'approchez pas les cheveux, les vêtements ou les gants des pièces en mouvement.** Les vêtements amples, les bijoux ou les cheveux longs risquent d'être happés par les pièces en mouvement.
  - g) **Si l'outil est muni de dispositifs permettant le raccordement d'un système d'aspiration et de collecte des poussières, assurez-vous que ces dispositifs sont raccordés et utilisés correctement.** L'utilisation d'un dépoussiéreur peut réduire les dangers associés à l'accumulation de poussière.
- #### 4) Utilisation et entretien des outils électroportatifs
- a) **Ne forcez pas sur l'outil électroportatif. Utilisez l'outil électroportatif qui convient à la tâche à effectuer.** L'outil qui convient à la tâche fait un

meilleur travail et est plus sûr à la vitesse pour lequel il a été conçu.

- b) **Ne vous servez pas de l'outil électroportatif si son interrupteur ne parvient pas à le mettre en marche ou à l'arrêter.** Tout outil électroportatif qui ne peut pas être commandé par son interrupteur est dangereux et doit être réparé.
- c) **Débranchez la fiche de la prise ou enlevez le bloc-pile de l'outil électroportatif avant tout réglage, changement d'accessoires ou avant de ranger l'outil électroportatif.** De telles mesures de sécurité préventive réduisent le risque de démarrage intempestif de l'outil électroportatif.
- d) **Rangez les outils électroportatifs dont vous ne vous servez pas hors de portée des enfants et ne permettez pas à des personnes qui ne connaissent pas l'outil électroportatif ou qui ignorent ces consignes de s'en servir.** Les outils électroportatifs sont dangereux dans les mains d'utilisateurs inexpérimentés.
- e) **Entretenez les outils électroportatifs. Vérifiez que les pièces mobiles sont alignées correctement et ne coïncent pas. Vérifiez qu'il n'y a pas de pièces**

**cassées ou d'autre circonstance qui risquent d'affecter le fonctionnement de l'outil électroportatif. Si l'outil est abîmé, faites-le réparer avant de l'utiliser.** De nombreux accidents sont causés par des outils électroportatifs mal entretenus.

- f) **Maintenez les outils coupants affûtés et propres.** Les outils coupants entretenus correctement et dotés de bords tranchants affûtés sont moins susceptibles de coincer et sont plus faciles à maîtriser.
- g) **Utilisez l'outil électroportatif, les accessoires et les embouts d'outil, etc. conformément à ces instructions, en tenant compte des conditions de travail et des travaux à réaliser.** L'emploi d'outils électroportatifs pour des tâches différentes de celles pour lesquelles ils ont été prévus peut résulter en une situation dangereuse.

#### Entretien

- a) **Faites réparer votre outil électroportatif par un agent de service qualifié n'utilisant que des pièces de rechange identiques.** Ceci assure que la sécurité de l'outil électroportatif est préservée.

## Avertissements spécifiques à la sécurité des outils électroportatifs

Avertissements habituels concernant la sécurité des opérations de rectification, de ponçage, de broissage métallique et de tronçonnage à la meule abrasive :

- a) **Cet outil électroportatif a été conçu pour fonctionner comme un outil de rectification, de ponçage, de broissage métallique ou de tronçonnage. Veuillez lire toute la documentation relative à la sécurité qui a été fournie avec cet outil électroportatif, notamment, les avertissements, les consignes, les illustrations et les spécifications.** Si l'on n'observe pas toutes les consignes indiquées ci-dessous, il existe un risque de choc électrique, d'incendie et/ou de blessures corporelles graves.
- b) **Cet outil électroportatif n'est pas recommandé pour le polissage.** L'usage de l'outil au cours de travaux pour lesquels il n'a pas été conçu risque de présenter un danger et de causer des blessures corporelles.
- c) **N'utilisez pas d'accessoires qui n'ont pas été spécifiquement conçus et recommandés par le fabricant de l'outil.** Le simple fait qu'un accessoire puisse être attaché à votre outil électroportatif ne garantit pas un fonctionnement sans danger.
- d) **La vitesse nominale de l'accessoire doit être au moins égale à la vitesse maximum indiquée sur l'outil électroportatif.** Les accessoires que l'on fait tourner à une vitesse supérieure à leur VITESSE NOMINALE peuvent se casser et voler en éclats.

- e) **Le diamètre externe et l'épaisseur de votre accessoire doivent être dans les limites de capacité de votre outil électroportatif.** Des accessoires de la mauvaise taille ne peuvent pas être adéquatement protégés ou contrôlés.
- f) **Les arbres des meules, des brides, des disques d'appui ou de tous les autres accessoires doivent être d'une taille qui leur permet d'être ajustés correctement sur la broche de l'outil électroportatif.** Les accessoires qui ont des orifices d'arbre n'étant pas compatibles avec la quincaillerie de montage de l'outil électroportatif seront déséquilibrés, vibreront de manière excessive et risquent de causer une perte de contrôle.
- g) **N'utilisez pas d'accessoires endommagés. Inspectez vos accessoires avant chaque utilisation : vérifiez par exemple que votre meule abrasive n'est ni fêlée, ni ébréchée, que votre disque d'appui n'est ni fêlé, ni déchiré, ni trop usé et que votre brosse métallique ne contient pas de fils cassés ou détachés.** Si vous laissez tomber l'outil ou l'accessoire, vérifiez que ce dernier n'est pas endommagé ou remplacez-le par un accessoire en bon état. Après l'inspection et l'installation d'un accessoire, tenez-vous à distance du plan de l'accessoire en mouvement et demandez à toute personne présente de faire de même, et faites fonctionner l'outil à sa vitesse à vide maximale pendant une minute. Si un accessoire est endommagé, il se cassera habituellement en plusieurs morceaux pendant cette période de test.



- h) **Portez des équipements de protection personnelle. Suivant le travail effectué, portez un masque de protection, des lunettes à coques ou des lunettes de sécurité. S'il y a lieu, portez un masque antipoussières, des dispositifs de protection de l'ouïe, des gants et un tablier d'atelier capable d'arrêter des petits fragments abrasifs ou des fragments de la pièce.** Les dispositifs de protection des yeux doivent pouvoir arrêter des débris volants produits par diverses opérations. Le masque antipoussières ou le respirateur doit être capable de filtrer des particules générées par votre travail. Une exposition prolongée à un bruit de haute intensité peut entraîner une perte de l'ouïe.
- i) **Gardez toute personne présente à une distance sûre de l'aire de travail. Toute personne qui entre dans l'aire de travail doit porter des équipements de protection personnelle.** Des fragments d'une pièce ou d'un accessoire peuvent être projetés et causer des blessures au-delà de l'aire d'opération immédiate.
- j) **Tenez l'outil électroportatif exclusivement au niveau de ses surfaces de préhension isolées quand vous réalisez une opération au cours de laquelle l'accessoire de coupe risque d'entrer en contact avec des fils électriques dissimulés ou avec son propre cordon d'alimentation.** Quand un accessoire de coupe entre en contact avec un fil « sous tension », cela peut mettre des parties métalliques exposées de l'outil électroportatif « sous tension » et électrocuter l'utilisateur.
- k) **Positionnez le cordon hors de la trajectoire de l'accessoire en mouvement.** Si vous perdez contrôle de l'outil, le cordon d'alimentation risque d'être coupé ou de s'accrocher et votre main ou votre bras risque d'être tiré jusqu'à ce qu'il entre en contact avec l'accessoire en mouvement.
- l) **Ne posez jamais l'outil électroportatif tant que l'accessoire n'a pas complètement cessé de tourner.** L'accessoire en mouvement risque d'accrocher la surface sur laquelle il est posé et de vous faire perdre contrôle de l'outil.
- m) **Ne laissez pas l'outil électroportatif en marche quand vous le portez sur le côté.** Un contact accidentel avec l'accessoire en mouvement risquerait d'accrocher vos vêtements et d'attirer l'accessoire vers votre corps.
- n) **Nettoyez régulièrement les prises d'air de l'outil électroportatif.** Le ventilateur du moteur attirera de la poussière à l'intérieur du boîtier de l'outil et une accumulation excessive de poudre métallique risque de causer des dangers électriques.
- o) **Ne faites pas fonctionner l'outil électroportatif à proximité de matériaux inflammables.** Des étincelles pourraient enflammer ces matériaux.

- p) **N'utilisez pas d'accessoires qui exigent des liquides de refroidissement.** L'utilisation d'eau ou d'autres liquides de refroidissement peut entraîner une électrocution ou un choc électrique.

**Avertissements sur les rebonds et effets associés**

L'effet de rebond est une réaction soudaine au pincement ou à l'accrochage d'une meule, d'un disque d'appui, d'une brosse ou de tout autre accessoire pivotant. Un tel pincement ou accrochage fait rapidement caler l'accessoire en mouvement, ce qui force l'outil électroportatif hors de contrôle à aller dans la direction opposée à celle de la rotation de l'accessoire à l'emplacement du blocage.

Par exemple, si une meule abrasive est accrochée ou pincée par la pièce, le bord de la meule à l'emplacement du pincage peut creuser la surface du matériau et forcer la meule à se « hisser » sur la pièce ou à être éjectée. La meule peut alors sauter soit en direction de l'utilisateur, soit dans la direction opposée, en fonction de la direction du mouvement de la meule à l'emplacement du pincement. Les meules abrasives peuvent également se briser dans de telles conditions.

Les rebonds résultent d'une mauvaise utilisation de l'outil électroportatif et/ou de procédures ou de conditions d'utilisation incorrectes, et ils peuvent être évités en prenant les précautions nécessaires indiquées ci-dessous :

- a) **Maintenez une prise ferme sur l'outil électroportatif et positionnez votre bras et le reste de votre corps de façon à vous permettre de résister aux forces de rebond. Utilisez toujours la poignée auxiliaire, quand elle vous a été fournie, pour un contrôle maximum du rebond ou de la réaction de couple qui se produit pendant la mise en marche de l'outil.** L'utilisateur peut contrôler les réactions de couple ou les forces de rebond en prenant les précautions nécessaires.
- b) **Ne placez jamais votre main à proximité de l'accessoire en mouvement.** L'accessoire risquerait de rebondir sur votre main.
- c) **Ne vous placez jamais dans la zone où l'outil électroportatif se dirigerait si un rebond se produisait.** L'effet de rebond projeterait l'outil dans la direction opposée à celle du mouvement de la meule à l'emplacement de l'accrochage.
- d) **Faites particulièrement attention quand vous travaillez des coins ou des arêtes tranchantes, etc. Évitez de faire rebondir ou d'accrocher l'accessoire.** Les coins, les arêtes tranchantes et les rebondissements ont tendance à faire accrocher l'accessoire en mouvement et à entraîner une perte de contrôle ou un rebond.
- e) **Ne fixez pas une lame à sculpter le bois de chaîne coupante ou une lame de scie dentée sur l'outil.** De telles lames causent fréquemment des rebonds et des pertes de contrôle.



**Avertissements spécifiques à la sécurité des opérations de rectification et de tronçonnage à la meule :**

- a) **N'utilisez que des types de meules qui sont recommandées pour votre outil électroportatif et que des protecteurs conçus pour la meule sélectionnée.** Les meules pour lesquelles l'outil n'a pas été conçu ne peuvent pas être adéquatement protégées et sont par conséquent dangereuses.
- b) **Le protecteur doit être fermement fixé à l'outil électroportatif et positionné pour un maximum de sécurité en s'arrangeant pour que la plus petite portion possible de meule exposée soit tournée vers l'utilisateur.** Le protecteur aide à protéger l'utilisateur contre des fragments d'une meule cassée et contre un contact accidentel avec la meule.
- c) **Les meules ne doivent être utilisées que pour des opérations pour lesquelles elles ont été conçues. Par exemple : ne meulez pas avec le côté de la meule à tronçonner.** Les meules à tronçonner sont conçues pour une rectification périphérique et l'application de forces latérales à ces meules peuvent les faire éclater.
- d) **Utilisez toujours des brides non endommagées d'une taille et d'une forme qui conviennent à la meule sélectionnée.** Les brides de meule appropriées soutiennent la meule, réduisant ainsi la possibilité que la meule se casse. Les brides pour meules de tronçonnage peuvent être différentes des brides pour d'autres types de meules.
- e) **N'utilisez pas de meules usées provenant d'outils électroportatifs de plus grande taille.** Une meule qui a été conçue pour un outil électroportatif de grande taille n'est pas compatible avec un outil plus petit qui tourne à une plus grande vitesse, et elle risque d'éclater si elle est posée sur ce dernier.

**Avertissements supplémentaires spécifiques à la sécurité des opérations de tronçonnage à la meule abrasive :**

**N'essayez pas de couper des feuilles de métal ou des pièces de grande taille avec cette machine, car elle n'a pas été conçue pour servir de machine réservée au tronçonnage.**

- a) **Ne bloquez pas la meule à tronçonner et n'appliquez pas une pression excessive sur celle-ci. Ne tentez pas de réaliser une coupe d'une profondeur excessive.** La surcharge de la meule augmente sa susceptibilité à la torsion et au blocage pendant la coupe et la possibilité d'un effet de rebond ou d'une cassure de la meule.
- b) **Ne positionnez pas votre corps de façon à ce qu'il soit aligné avec la meule pivotante et derrière celle-ci.** Quand la meule, à l'emplacement de l'opération, se déplace dans la direction opposée à celle de votre corps, le rebond potentiel risque de projeter la meule en mouvement ainsi que l'outil électroportatif directement sur vous.

- c) **Quand la meule se coince, ou quand vous interrompez une coupe pour une raison quelconque, mettez l'outil électroportatif à l'arrêt et tenez-le sans bouger jusqu'à ce que la meule s'arrête complètement. N'essayez jamais de retirer la meule de tronçonnage au milieu d'une coupe tant que la meule tourne toujours; cela risquerait de provoquer un effet de rebond.** Trouvez la cause du coincage de la meule et prenez les mesures nécessaires pour y remédier.
- d) **Ne recommencez pas votre opération de coupe en plaçant l'outil directement dans la pièce. Permettez à la meule d'atteindre sa vitesse optimale avant de la réintroduire prudemment dans la pièce.** Si vous remettez l'outil en marche directement dans la pièce, la meule risque de se bloquer, de « grimper » sur la pièce ou de faire un rebond.
- e) **Soutenez les panneaux ou toute pièce surdimensionnée afin de réduire le plus possible le risque de pincement ou de rebond de la meule.** Les pièces de grande taille ont tendance à fléchir sous leur propre poids. Des supports doivent être placés sous la pièce à proximité de la ligne de coupe et près du bord de la pièce des deux côtés de la meule.
- f) **Faites particulièrement attention quand vous exécutez une coupe « en poche » dans des murs déjà en place ou dans d'autres endroits cachés.** Il se peut que la meule saillante coupe des tuyaux de gaz, des conduites d'eau, des fils électriques ou des objets qui risquent d'entraîner un rebond.

**N'utilisez pas de meules abrasives de type 1 conçues pour le meulage droit.**

**Avertissements spécifiques à la sécurité des opérations de ponçage :**

- a) **N'utilisez pas de papier à disque de ponçage surdimensionné. Suivez les recommandations du fabricant quand vous choisissez votre papier de ponçage.** Un papier de ponçage trop grand qui dépasse du patin de ponçage représente un danger de laceration et peut entraîner un blocage, une déchirure du disque ou un rebond.

**Avertissements spécifiques à la sécurité des opérations de brossage métallique :**

- a) **Soyez conscient du fait que la brosse éjecte des soies métalliques pendant son opération normale. Ne surchargez pas les fils métalliques en appliquant une charge excessive sur la brosse.** Les soies métalliques peuvent facilement pénétrer dans des vêtements légers et/ou dans la peau.
- b) **Bien qu'il soit recommandé d'utiliser un protecteur pour le brossage métallique, ne laissez pas la meule ou la brosse métallique interférer avec le protecteur.** Le diamètre de la meule ou de la brosse métallique risque d'augmenter à cause de la charge de travail et des forces centrifuges.





## Avertissements supplémentaires concernant la sécurité

L'emploi d'un GFCI et de dispositifs de protection personnelle tels que gants et chaussures d'électricien en caoutchouc améliorent votre sécurité personnelle.

**N'utilisez pas un outil conçu uniquement pour le C.A. sur une alimentation en C.C.** Même si l'outil semble fonctionner, les composants électriques d'un outil prévu pour le C.A. tomberont probablement en panne et risquent de créer un danger pour l'utilisateur.

**Maintenez les poignées sèches et exemptes d'huile et de graisse.** On ne peut pas maîtriser un outil électroportatif en toute sécurité quand on a les mains glissantes.

**Utilisez des brides ou d'autres moyens pratiques de brider ou de supporter la pièce sur une plate-forme stable.** Tenir la pièce à la main ou contre le corps est instable et risque de résulter en une perte de contrôle.

**Créez un agenda d'entretien périodique pour votre outil. Quand vous nettoyez un outil, faites attention de n'en démonter aucune pièce car il est toujours possible de mal remonter ou de pincer les fils internes ou de remonter incorrectement les ressorts de rappel des capots de protection.** Certains agents de nettoyage tels que l'essence, le tétrachlorure de carbone, l'ammoniaque, etc. risquent d'abîmer les plastiques.

Risque de blessure pour l'utilisateur. Le cordon d'alimentation électrique ne doit être réparé que par un Centre de service usine de Bosch ou par une Station service agréée de Bosch.

**Utilisez un protège-main pendant le ponçage et le brossage.**

**N'utilisez pas de meules de type 1 pour la rectification des surfaces planes.** Les meules de type 1 sur lesquelles des forces latérales sont appliquées risquent de se fragmenter ou d'éclater.

### **⚠ AVERTISSEMENT**

**Les travaux à la machine tel que ponçage, sciage, meulage, perçage et autres travaux du bâtiment peuvent créer des poussières contenant des produits chimiques qui sont des causes reconnues de cancer, de malformation congénitale ou d'autres problèmes reproductifs. Ces produits chimiques sont, par exemple :**

- Le plomb provenant des peintures à base de plomb,
- Les cristaux de silices provenant des briques et du ciment et d'autres produits de maçonnerie, et
- L'arsenic et le chrome provenant des bois traités chimiquement.













Le niveau de risque dû à cette exposition varie avec la fréquence de ces types de travaux. Pour réduire l'exposition à ces produits chimiques, il faut travailler dans un lieu bien ventilé et porter un équipement de sécurité approprié tel que certains masques à poussière conçus spécialement pour filtrer les particules microscopiques.





## Symboles

**IMPORTANT** : Certains des symboles suivants peuvent être utilisés sur votre outil. Veuillez les étudier et apprendre leur signification. Une interprétation appropriée de ces symboles vous permettra d'utiliser l'outil de façon plus efficace et plus sûre.

Symbole	Nom	Désignation/Explication
V	Volts	Tension (potentielle)
A	Ampères	Courant
Hz	Hertz	Fréquence (cycles par seconde)
W	Watt	Puissance
kg	Kilogrammes	Poids
min	Minutes	Temps
s	Secondes	Temps
$\varnothing$	Diamètre	Taille des mèches de perceuse, meules, etc.
$n_0$	Vitesse à vide	Vitesse de rotation, à vide
n	Vitesse nominale	Vitesse maximum pouvant être atteinte
.../min	Tours ou mouvement alternatif par minute	Tours, coups, vitesse en surface, orbites, etc., par minute
0	Position d'arrêt	Vitesse zéro, couple zéro ...
1, 2, 3, ... I, II, III, ...	Réglages du sélecteur	Réglages de vitesse, de couple ou de position. Un nombre plus élevé signifie une vitesse plus grande
	Sélecteur variable à l'infini avec arrêt	La vitesse augmente depuis le réglage 0
	Flèche	Action dans la direction de la flèche
	Courant alternatif	Type ou caractéristique du courant
	Courant continu	Type ou caractéristique du courant
	Courant alternatif ou continu	Type ou caractéristique du courant
	Construction classe II	Désigne des outils construits avec double isolation
	Borne de terre	Borne de mise à la terre
	Symbole d'avertissement	Alerte l'utilisateur aux messages d'avertissement.
	Sceau Li-ion RBRC	Désigne le programme de recyclage des piles Li-ion.
	Sceau Ni-Cad RBRC	Désigne le programme de recyclage des piles Ni-Cad.
	Symbole de lecture du mode d'emploi d'emploi	Alerte l'utilisateur pour lire le mode
	Symbole de port de lunettes de sécurité de sécurité	Alerte l'utilisateur pour porter des lunettes

## Symboles (suite)

**IMPORTANT** : Certains des symboles suivants peuvent être utilisés sur votre outil. Veuillez les étudier et apprendre leur signification. Une interprétation appropriée de ces symboles vous permettra d'utiliser l'outil de façon plus efficace et plus sûre.



Ce symbole signifie que cet outil est approuvé par Underwriters Laboratories.



Ce symbole indique que cet outil est reconnu par Underwriters Laboratories.



Ce symbole signifie que cet outil est approuvé par Underwriters Laboratories selon les normes des États-Unis et du Canada.



Ce symbole signifie que cet outil est approuvé par l'Association canadienne de normalisation.



Ce symbole signifie que cet outil est approuvé par l'Association canadienne de normalisation selon les normes des États-Unis et du Canada.



Ce symbole signifie que cet outil est approuvé par Intertek Testing Services selon les normes des États-Unis et du Canada.



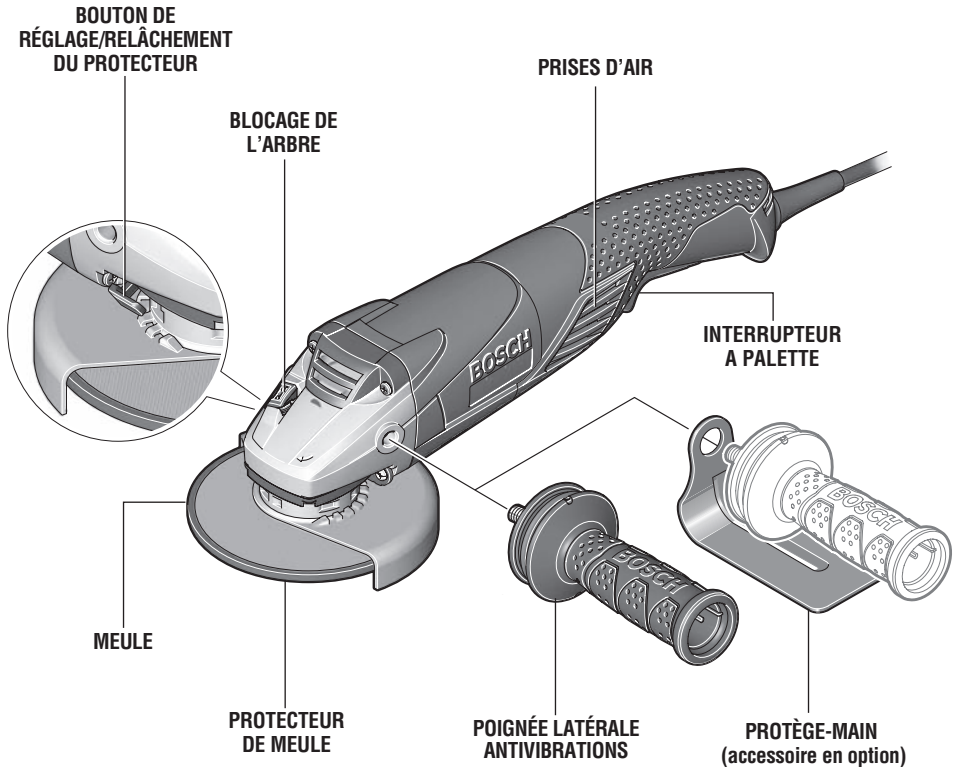
Ce symbole signifie que cet outil se conforme aux normes mexicaines NOM.

## Description fonctionnelle et spécifications

**AVERTISSEMENT** Débranchez la fiche de la prise de courant avant d'effectuer quelque assemblage ou réglage que ce soit ou de changer les accessoires. Ces mesures de sécurité préventive réduisent le risque d'une mise en marche accidentelle de l'outil.

### Rectifieuses d'angles

FIG. 1



Numéro de modèle	1821, 1821D
* Vitesse nominale	n 0-11,000/min
* Diamètre max. de la meule abrasive	5 po diam.
Filet d'arbre	5/8"-11 UNC
Longueur max. de l'arbre	9/16 po
Meule métallique max.	4 po diam.
Brosse en coupe métall. max.	3 po diam.
* Disque de ponçage max.	5 po diam.

## Description fonctionnelle et spécifications (suite)

Numéro de modèle	1821, 1821D
* Meules de type 1 et 27 max.	5" po diam.
* Meules de tronçonnage de type 1A et 27A max.	5" po diam.
* Disque flap max.	5" po diam.

La cote de vitesse de l'accessoire doit être supérieure ou égale à la cote de vitesse de l'outil.  
Ne dépassez pas le diamètre de meule recommandé.

**REMARQUE :** ces accessoires ne sont pas recommandés pour emploi avec des meules en coupe de type 11.

**REMARQUE :** pour voir les spécifications de l'outil, reportez-vous à la plaque signalétique de votre outil.

## Assemblage

### POSE DU PROTECTEUR DE MEULE

**AVERTISSEMENT** Le protecteur de meule doit être en place quand vous travaillez avec des meules à disque ou des disques de coupe. Maintenez toujours le protecteur entre vous et la pièce en meulant ou en coupant.

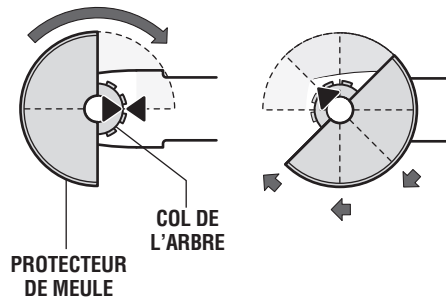
Pour fixer le protecteur de meule, DÉBRANCHEZ l'outil de la prise de courant.

Positionnez le protecteur sur le col de l'arbre de manière à ce que les deux flèches soient alignées. Tournez le protecteur de 90° dans le sens des aiguilles d'une montre jusqu'à ce qu'il s'enclenche en place (Fig. 2).

**POUR AJUSTER LE PROTECTEUR :** appuyez sur le bouton de relâchement du protecteur (Fig. 1), tournez le protecteur à la position désirée, relâchez le bouton et laissez-le cliquer en place.

**POUR RETIRER LE PROTECTEUR :** appuyez sur le bouton de relâchement, tournez le protecteur jusqu'à l'alignement des flèches, et soulevez le protecteur hors du col de l'arbre.

FIG. 2



### ÉCROU DE BLOCAGE ET BRIDE D'APPUI

Votre outil est équipé d'un arbre fileté sur lequel se montent les accessoires. Utilisez toujours l'écrou de blocage (et la bride d'appui) fournis et dont les filets correspondent à ceux de l'arbre.

### POIGNÉE LATÉRALE ANTIVIBRATIONS

La poignée latérale sert à contrôler et à équilibrer l'outil. La poignée doit être vissée dans le boîtier avant, d'un côté ou de l'autre de l'outil, selon les préférences personnelles et pour le confort de l'utilisateur. Utilisez la poignée latérale pour un contrôle sûr et une opération plus facile (Fig. 1).

### PROTÈGE-MAIN EN OPTION

Le protège-main doit être utilisé avec les disques d'appui, les disques de ponçage et les brosses métalliques pour garder les doigts et les mains à distance de la surface de la pièce, des bords tranchants, des barbes et des débris. Quand vous utilisez l'accessoire protège-main disponible en option, insérez la poignée latérale dans l'orifice présent sur le protège-main, puis vissez-la dans le boîtier (Fig. 1).

Assurez-vous que le protège-main est positionné entre la main et le disque d'appui, le disque de ponçage ou la brosse métallique.

### ENSEMBLE DE MEULE A DISQUE

Débranchez l'outil de la prise de courant. Assurez-vous que le protecteur de meule est en place pour la rectification. Placez la BRIDE D'APPUI et la MEULE sur l'arbre. Vissez l'écrou de blocage et serrez l'écrou à l'aide de la clé à écrous de blocage fournie tout en retenant le blocage d'arbre (Fig. 3).

POUR DÉPOSER : Inversez la procédure.

Lors de l'utilisation de meules vissées, vissez-les directement sur l'arbre.

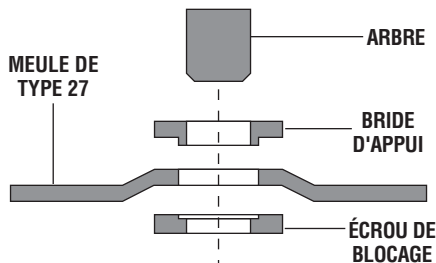
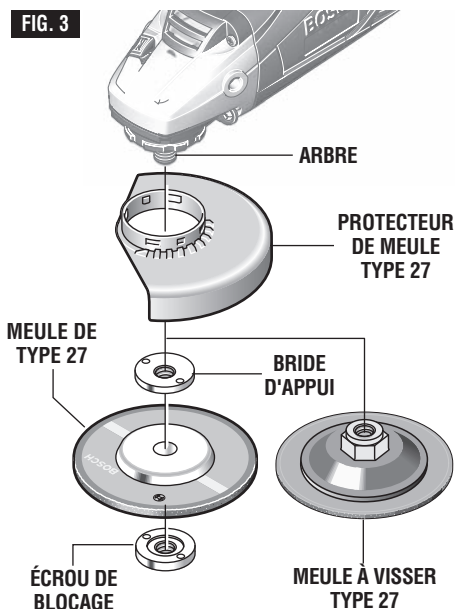


FIG. 3



### ENSEMBLE DE MEULE ABRASIVE DE TYPE 1A ET 27A

En utilisant le protecteur de meule de type 1A disponible en option, il est possible de réaliser des coupes limitées sur de petites pièces telles que des tubes en métal, des tuyaux ou des barres de béton armé.

N'essayez pas de couper des pièces ou des feuilles métalliques de grande taille, car cet outil n'a pas été conçu pour servir d'outil de coupe spécialisé.

**AVERTISSEMENT** Utilisez toujours un protecteur de meule de type 1A pour les opérations de coupe.

Débranchez l'outil de la prise de courant. Assurez-vous que le protecteur de meule est en place avant une opération de coupe.

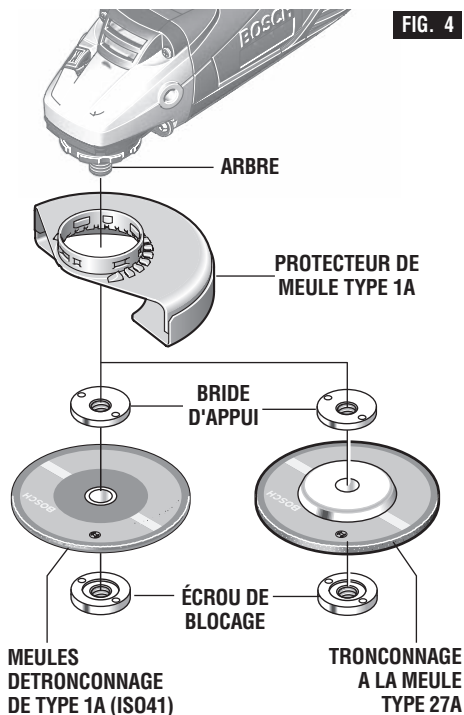
Quand vous utilisez des meules montées, vissez la GRANDE BRIDE D'APPUI sur l'arbre, puis placez la MEULE sur celui-ci. Vissez l'écrou de blocage et serrez-le au moyen de la clé à écrou de blocage fournie avec le jeu d'adaptation, tout en retenant le blocage de l'arbre (Fig. 4).

POUR DÉPOSER : Inversez la procédure.

#### MEULES ABRASIVES DROITES DE TYPE 1

**AVERTISSEMENT** N'utilisez pas de meules abrasives de type 1 conçues pour le meulage droit ou la rectification des matrices. Cet outil n'a pas été conçu pour être utilisé avec des meules abrasives droites ou des meules à rectifier les matrices.

FIG. 4



**ENSEMBLE D'ACCESSOIRES DE PONÇAGE  
DISQUE D'APPUI**

**⚠ AVERTISSEMENT** Avant d'attacher un disque d'appui, assurez-vous que la vitesse maximale de rotation qu'il peut atteindre, sans compromettre la sécurité de fonctionnement, n'est pas inférieure à la vitesse en marche libre figurant sur la plaquette emblématique de l'outil.

**⚠ AVERTISSEMENT** La plupart des travaux de ponçage s'effectuent sans le protecteur. Remettez toujours le protecteur en place sur l'outil avant de vous en servir pour le meulage.

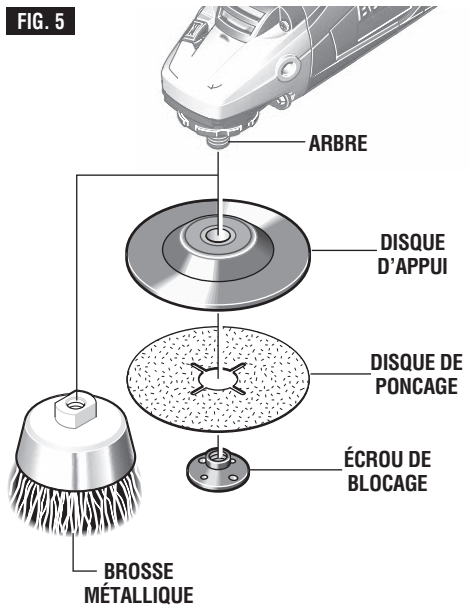
**POSE DES DISQUES D'APPUI ET DE PONÇAGE**

Débranchez l'outil de la prise de courant.

Fixez le protège-main (Fig. 1). Tournez-le sur le dos (arbre orienté vers le haut). Placez le disque d'appui en caoutchouc sur l'arbre. Centrez le disque de ponçage sur le disque d'appui. Introduisez l'écrou de blocage dans le disque et vissez-le à fond sur l'arbre avec les doigts. Enfoncez le blocage d'arbre, puis serrez le disque d'appui solidement à l'aide de la clé à écrous de blocage (Fig. 5).

POUR DÉPOSER : Inversez la procédure.

FIG. 5



**ENSEMBLE DE BROSSE MÉTALLIQUE**

Avant d'installer une brosse métallique sur cet outil, débranchez ce dernier de la prise de courant. Fixez le protège-main (Fig. 1). Les brosses métalliques sont équipées de leur propre centre fileté, et il suffit de les visser sur l'arbre. Assurez-vous de les asseoir contre l'épaulement avant de mettre l'outil en marche (position ON).

POUR DÉPOSER : Inversez la procédure.

**ENSEMBLE DE BROSSE MÉTALLIQUE À TOURET**

Avant d'installer une brosse métallique à touret sur cet outil, débranchez ce dernier de la prise de courant. Fixez un protecteur de type 27 (Fig. 2). Les brosses métalliques à touret sont équipées de leur propre centre fileté, et il suffit de les visser sur l'arbre. Assurez-vous de les asseoir contre l'épaulement avant de mettre l'outil en marche (position ON).

POUR DÉPOSER : Inversez la procédure.

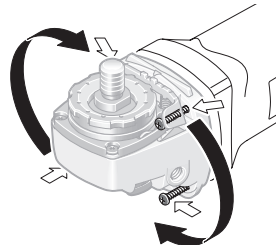
**ENSEMBLE DE MEULE DE MAÇONNERIE**

Débranchez l'outil de la prise de courant. Dévissez complètement les quatre vis et faites doucement tourner la tête porte-outil jusqu'à sa nouvelle position sans la retirer du boîtier. Pour les outils avec un interrupteur à palette, l'interrupteur doit être orienté vers le bas, en direction de la surface de travail. Pour les outils avec un interrupteur à glissière, l'interrupteur doit être orienté vers le haut, en direction de l'utilisateur, de façon à ce que l'outil puisse être utilisé pour de longues coupes de maçonnerie. Vissez et serrez les quatre vis une fois de plus (Fig. 6).

**⚠ AVERTISSEMENT**

Remettez la tête porte-outil dans sa position d'origine quand vous reprenez des opérations de rectification, de ponçage, de brosseuse ou de coupage de métal.

FIG. 6



Installez un protecteur de dépoussiérage avec plaque d'assise pour les opérations de coupe de maçonnerie de façon à ce que la rotation de la meule se fasse en direction de l'orifice d'aspiration. Placez la BRIDE D'APPUI et la MEULE DIAMANTÉE POUR TRAVAIL À SEC sur l'arbre. Vissez L'ÉCROU DE BLOCAGE et serrez-le au moyen de la clé à écrou de blocage fournie, tout en retenant le blocage de l'arbre (Fig. 7).

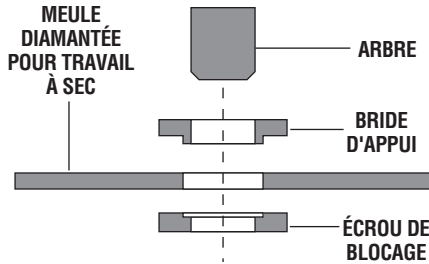
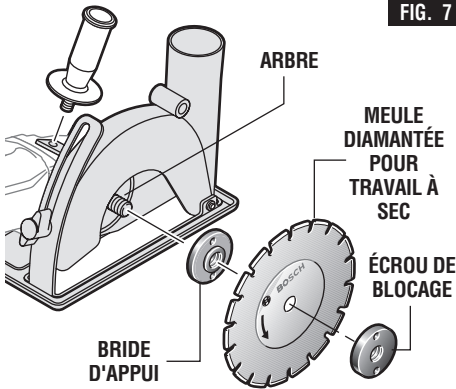
**⚠ AVERTISSEMENT**

Utilisez uniquement des écrous de blocage et des brides de diamètre égal.

**⚠ AVERTISSEMENT**

N'utilisez pas d'eau ou d'autres liquides de refroidissement pour les coupes avec cet outil.

FIG. 7



## Consignes de fonctionnement

**⚠ AVERTISSEMENT**

Tenez l'outil à deux mains à la mise en marche car le couple du moteur peut transmettre une certaine torsion.

Mettez l'outil en marche avant de le poser sur la pièce. De même, soulevez-le avant d'en relâcher l'interrupteur. Pour prolonger la durée de l'interrupteur, évitez de le mettre sous tension et hors tension pendant que l'outil est à l'oeuvre.

**INTERRUPTEUR E PALETTE «TROIS REGLAGES» (modèles 1821 seulement)**

L'interrupteur à palette permet à l'utilisateur de choisir entre trois réglages: «déverrouillage», «marche/arrêt» et «verrouillage».

**POUR DÉVERROUILLER L'INTERRUPTEUR ET METTRE L'OUTIL EN MARCHÉ :** Déplacez la palette vers l'AVANT (vers l'arbre), puis serrez la palette.

**POUR METTRE L'OUTIL AU REPOS :** Relâchez la palette. L'interrupteur, qui est à ressort, retournera automatiquement à la position d'arrêt.

La fonction de verrouillage, incorporée dans l'interrupteur à palette, est très pratique lors de longs travaux.

**POUR VERROUILLER L'INTERRUPTEUR SOUS TENSION :** Après que l'interrupteur est mis sous tension, DÉPLACEZ la palette totalement vers l'AVANT, puis relâchez-la.

**POUR METTRE L'OUTIL AU REPOS :** Serrez la palette, puis relâchez-la. L'interrupteur, qui est à ressort, retournera automatiquement à la position d'arrêt.

**INTERRUPTEUR À PALETTE AVEC BLOCAGE EN POSITION D'ARRÊT (Modèles 1821D seulement)**

L'interrupteur à palette permet à l'utilisateur de commander les fonctions de blocage en position arrêt ainsi que la marche/arrêt.

**POUR DÉVERROUILLER L'INTERRUPTEUR ET METTRE L'OUTIL EN MARCHÉ :** Déplacez la palette vers l'AVANT (vers l'arbre), puis serrez la palette.

**POUR METTRE L'OUTIL AU REPOS :** Relâchez la palette. L'interrupteur, qui est à ressort, retournera automatiquement à la position d'arrêt.



## Travaux de meulage

### CHOIX DES MEULES

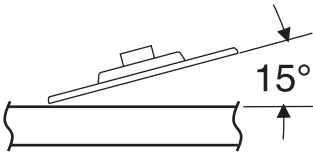
**AVERTISSEMENT** Avant d'utiliser une meule, assurez-vous que la vitesse maximale de rotation qu'elle peut atteindre, sans compromettre la sécurité de fonctionnement, n'est pas inférieure à la vitesse en marche libre figurant sur la plaquette emblématique de l'outil. Ne choisissez pas des meules de diamètre supérieur à celui recommandé.

### MEULES

Pour de meilleurs résultats, choisissez les meules soigneusement. Les meules diffèrent de plusieurs façons : granulométrie, composition, dureté, taille des particules et structure. Le choix de la meule est dicté par le type de travail à réaliser. Les meules sont recommandées pour le meulage rapide de l'acier de construction, des cordons de soudure prononcés, des pièces d'acier coulé, de l'acier inoxydable et d'autres métaux ferreux.

### CONSEILS PRATIQUES

Vous aurez de meilleurs résultats si vous maîtrisez la pression sur l'outil et maintenez l'angle d'inclinaison de la meule entre 10 à 15° avec la pièce. L'outil sera difficile à manœuvrer si vous travaillez avec la meule à plat. Par contre, si la meule est trop fortement inclinée, la pression est concentrée sur une petite surface causant la brûlure de la pièce.



**AVERTISSEMENT** La pression exagérée ou soudaine sur la meule ralentira le meulage et soumettra la meule à des contraintes dangereuses.

Lors du rodage d'une meule neuve, assurez-vous de meuler en tirant l'outil vers l'arrière jusqu'à ce que l'arête de la meule devienne arrondie. Les arêtes des meules neuves sont vives et ont tendance à « mordre » ou à trancher la pièce quand l'outil est poussé vers l'avant.

### COUPE DES MÉTAUX

En utilisant le protecteur de meule de type 1A disponible en option, il est possible de réaliser des coupes limitées sur de petites pièces telles que des tubes en métal, des tuyaux ou des barres de béton armé. Quand vous coupez, adoptez une avance modérée, adaptée au matériau qui est coupé. N'exercez pas une pression latérale sur le disque de coupe, n'inclinez pas l'outil et ne le faites pas osciller. Quand vous coupez des profils et des barres à section carrée, il est recommandé de commencer par la plus petite section transversale.

Suivez toujours les précautions pour éviter les rebonds.

N'appliquez pas de pression latérale sur la meule de coupe pour ralentir la meule.

L'outil doit toujours être utilisé de façon à ce que les étincelles soient dirigées dans la direction opposée à celle de l'utilisateur.

### COUPE DE MAÇONNERIE

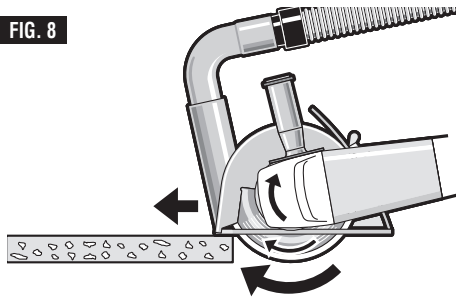
Ne faites fonctionner l'outil pour cette application que lorsqu'un système d'aspiration des poussières est présent; de plus, portez un masque antipoussières. L'aspirateur utilisé pour cette application doit être agréé pour l'aspiration de la poussière de maçonnerie. Bosch vend des aspirateurs qui conviennent à cet usage.

### AVERTISSEMENT

Quand vous coupez de la maçonnerie, utilisez toujours un protecteur de dépoussiérage avec plaque d'assise. L'outil ne peut être utilisé que pour les coupes à sec. Quand vous coupez de la maçonnerie, utilisez une meule diamantée pour travail à sec.

Coupez toujours en direction de l'orifice d'aspiration de la poussière (Fig. 8).

FIG. 8



Mettez l'outil en marche et placez la partie avant du guide de coupe sur la pièce. Faites glisser l'outil à une vitesse d'avance modérée adaptée au matériau faisant l'objet de la coupe.

Quand vous réalisez des coupes profondes, il est recommandé d'effectuer plusieurs passes peu profondes.

Quand vous coupez des matériaux particulièrement durs, tels que le béton à forte teneur en cailloux, la meule diamantée pour travail à sec peut surchauffer et s'endommager. Ce problème est clairement indiqué par la production circulaire d'étincelles par la meule diamantée en mouvement.

Dans un tel cas, interrompez le processus de coupe et permettez à la meule diamantée de refroidir en laissant fonctionner l'outil pendant un temps très court à vitesse maximale, mais sans charge.

Un ralentissement du progrès du travail et la production circulaire d'étincelles indiquent que la meule diamantée est émoussée. Le fait de couper brièvement dans des matériaux abrasifs tels que de la brique peut affûter la meule à nouveau.

## Travaux de ponçage

### CHOIX DES DISQUES DE PONÇAGE

Les disques de ponçage sont fabriqués de particules abrasives d'alumine extrêmement dures et coupantes, fixées avec de la résine phénolique sur une robuste armature en fibres, ce qui leur permet de résister aux gros ponçages à haute vitesse. La granulométrie et l'espacement des particules abrasives varient selon les types de disques. Les disques à GRAIN OUVERT (type H) sont employés pour le ponçage des matériaux tendres et des surfaces peintes ou vernies. Les disques à GRAIN SERRÉ (type K) servent au ponçage des surfaces en métal, bois dur, pierre, marbre et autres matériaux dont le traitement produit des particules fines.

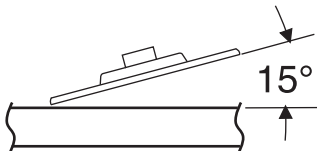
Les disques de ponçage sont fabriqués de particules abrasives allant du calibre 16 (très grossier) au calibre 180 (très fin). Vous obtiendrez de meilleurs résultats si vous choisissez avec soin vos disques de ponçage. De nombreux travaux nécessitent l'emploi de plusieurs calibres de particules abrasives et, dans certains cas, vous auriez intérêt à utiliser à la fois des disques à « grain ouvert » et à « grain serré » pour achever plus rapidement le travail. Voir les explications au tableau.

**OPÉRATION :** Refinition des surfaces en bois ou en métal peint.

REMARQUES	GRAIN
Pour décaper la peinture et aplanir les irrégularités de surface.	Gros 16-24-30
Pour adoucir les surfaces ayant subi un ponçage de dégrossissage.	Moyen 36-50-80
Pour enlever les égratignures laissées par un ponçage antérieur.	Fin 100-120
Pour adoucir une surface avant la peinture, le polissage ou le cirage.	Très fin 150-180

### CONSEILS PRATIQUES

Pour obtenir de meilleurs résultats, inclinez la ponceuse à disque à un angle de 10 à 15°, de sorte que la seule partie du disque qui est en contact avec la pièce soit une bande d'environ 2,5 cm de large depuis sa circonférence.



### ⚠ AVERTISSEMENT

Si le disque (accessoire) est maintenu à plat contre la pièce ou si son bord arrière vient en contact avec elle, l'outil risque d'être projeté violemment de côté.

La trop grande inclinaison de la ponceuse causera le ponçage exagéré risquant de marquer, gouger et d'abîmer la surface.

Guidez la ponceuse à disque en la déplaçant dans le sens transversal. Ne vous attardez pas trop longtemps au même endroit. Ne lui imprimez pas de mouvements circulaires car elle laisserait des tourbillons. Effectuez un ponçage d'essai sur une retaille avant d'entreprendre le travail.

Ne forcez pas et n'exercez pas de pression en ponçant. Faites pression uniquement avec le poids de l'outil. Une pression exagérée ralentit effectivement l'outil. Pour un ponçage plus rapide, utilisez un disque à particules de gros calibre.

Décapez la peinture gommée du métal à l'aide d'un disque à « grain ouvert ». Ponchez jusqu'à apparition d'étincelles, puis arrêtez pour substituer un disque à « grain serré » et décapez le reste de la peinture.

### PONÇAGE DU BOIS

Pour le ponçage du bois, le sens de déplacement du disque à partir du point de contact doit être parallèle aux fibres du bois autant que possible. L'abrasion rapide causée par les disques et les égratignures spiralées qu'ils produisent parfois sont les raisons pour lesquelles on évite généralement de les utiliser pour la finition.

Les égratignures et les traces circulaires sont généralement attribuables à l'emploi d'un disque à particules de trop gros calibre. Quand vous aurez substitué le disque à particules plus fines, effectuez des passes transversales croisant les lignes de ponçage laissées antérieurement par le disque plus grossier.

### PONÇAGE DES MÉTAUX

Avant de poncer la tôlerie d'une carrosserie d'automobile ou d'un appareil ménager, nettoyez-la avec un solvant ininflammable ou un nettoyeur commercial pour enlever toute trace de cire ou de graisse. Si vous prenez cette précaution, les disques de ponçage produiront une surface plus douce et dureront davantage.

Pour les tâches plus exigeantes, utilisez d'abord un disque à particules de gros calibre. Servez-vous ensuite d'un abrasif moyen pour enlever les égratignures. Pour obtenir un fini bien lisse, employez un disque à particules fines.

## Travaux à la brosse métallique

Les brosses métalliques servent à « nettoyer » l'acier de construction, les pièces d'acier coulé, la tôle, la pierre et le béton. Elles servent également à décaper la rouille, le tartre et la peinture.

**AVERTISSEMENT** Évitez de faire rebondir et de heurter la brosse métallique, surtout en travaillant des coins, des arêtes vives, etc. Ceci peut causer une perte de contrôle et un rebond.

**AVERTISSEMENT** Soyez conscient du fait que la brosse éjecte des soies métalliques pendant son opération normale. Ne surchargez pas les fils métalliques en appliquant une charge excessive sur la brosse. Les soies métalliques peuvent facilement pénétrer dans des vêtements légers et/ou dans la peau.

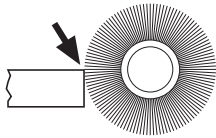
### PRESSION DE BROSSAGE

1. Souvenez-vous : ce sont les pointes d'une brosse métallique qui font le travail. N'appliquez qu'une pression très légère sur la brosse de sorte que seules les pointes des poils viennent en contact avec la pièce.
2. Si vous appliquez une pression trop importante, les poils seront surchargés, résultant en un balayage de la pièce. Si ceci se prolonge, la durée de vie de la brosse s'en trouvera écourtée à cause de la fatigue des poils.
3. Appliquez la brosse sur la pièce de manière à ce que la plus grande partie possible de sa tranche soit en contact total avec la pièce. Appliquer le côté ou le bord de la brosse sur la pièce résulterait en une cassure des poils et écourterait sa durée de vie.

### BROSSE MÉTALLIQUE CIRCULAIRE

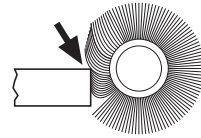
#### CORRECT

Les pointes des poils font le travail.



#### INCORRECT

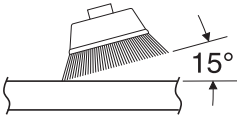
Pression excessive risquant de briser les poils.



### BROSSE EN COUPE

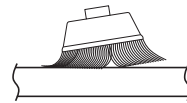
#### CORRECT

Les pointes des poils font le travail.



#### INCORRECT

Pression excessive risquant de briser les poils.



## Entretien

### Service

**AVERTISSEMENT** Tout entretien préventif effectué par des personnels non autorisés peut résulter en mauvais placement de fils internes ou de pièces, ce qui peut présenter un danger grave. Nous vous conseillons de faire faire tout l'entretien par un centre de service d'usine Bosch ou une station service agréée Bosch.

### LUBRIFICATION DE L'OUTIL

Votre outil Bosch a été lubrifié correctement en usine et il est prêt à l'utilisation. Nous vous conseillons de re-graisser les outils qui comportent des engrenages avec un lubrifiant à engrenages spécial à chaque fois que vous changez les balais.

### BALAIS OU CHARBONS

Les balais (ou charbons) et le collecteur de votre outil ont été conçus pour apporter de nombreuses heures de fonctionnement fiable. Pour maintenir le rendement du moteur à son maximum, nous vous conseillons de contrôler les balais tous les deux à six mois. Il ne faut utiliser que des balais de rechange Bosch d'origine et conçus pour votre outil.

### PALIER

Après environ 300 à 400 heures de fonctionnement ou tous les deux changements de balais, il est conseillé de faire remplacer les paliers par un centre de service d'usine Bosch ou une station service agréée Bosch. Si les paliers commencent à faire du bruit (à cause de surcharges importantes ou du toupillage de matériaux très abrasifs) il faut les faire remplacer immédiatement pour éviter la surchauffe ou une panne de moteur.

## Nettoyage

**AVERTISSEMENT** Pour éviter les accidents, il faut toujours débrancher l'outil avant de le nettoyer ou de l'entretenir. Le meilleur moyen de nettoyer l'outil est d'utiliser de l'air comprimé sec. Il faut toujours porter des lunettes de protection quand on utilise de l'air comprimé.

Les ouïes de ventilation et les leviers de l'interrupteur doivent rester propres et exempts de corps étrangers. Ne tentez pas de les nettoyer en enfonçant des objets pointus dans les orifices.

**MISE EN GARDE** Certains agents de nettoyage et certains dissolvants abîment les pièces en plastique. Parmi ceux-ci se trouvent: l'essence, le tétrachlorure de carbone, les dissolvants de nettoyage chlorés, l'ammoniaque ainsi que les détergents domestiques qui en contiennent.

## Cordons de rallonge

**AVERTISSEMENT** Si un cordon de rallonge s'avère nécessaire, vous devez utiliser un cordon avec conducteurs de dimension adéquate pouvant porter le courant nécessaire à votre outil. Ceci prévient une chute excessive de tension, une perte de courant ou une surchauffe. Les outils mis à la terre doivent utiliser des cordons de rallonge trifilaires pourvus de fiches à trois broches ainsi que des prises à trois broches.

**REMARQUE** : Plus le calibre est petit, plus le fil est gros.

### DIMENSIONS DE RALLONGES RECOMMANDÉES OUTILS 120 VOLTS COURANT ALTERNATIF

Intensité nominale de l'outil	Calibre A.W.G.				Calibre en mm <sup>2</sup>			
	Longueur en pieds				Longueur en mètres			
	25	50	100	150	15	30	60	120
3-6	18	16	16	14	0,75	0,75	1,5	2,5
6-8	18	16	14	12	0,75	1,0	2,5	4,0
8-10	18	16	14	12	0,75	1,0	2,5	4,0
10-12	16	16	14	12	1,0	2,5	4,0	—
12-16	14	12	—	—	—	—	—	—

## Accessoires

- \* Protecteur de meule type 27
- \*\* Protecteur de meule type 1A
- \* Écrou de blocage
- \* Meule
- \* Bride d'appui

- \* Poignée latérale
- \* Clé de serrage

(\* = équipement standard)  
(\*\* = accessoire en option)

**REMARQUE** : ces accessoires ne sont pas recommandés pour emploi avec des meules en coupe de type 11.

## Advertencias generales de seguridad para herramientas mecánicas

**ADVERTENCIA** Lea todas las advertencias de seguridad y todas las instrucciones. Si no se siguen las advertencias e instrucciones, el resultado podría ser sacudidas eléctricas, incendio y/o lesiones graves.

### GUARDE TODAS LAS ADVERTENCIAS E INSTRUCCIONES PARA REFERENCIA FUTURA

La expresión “herramienta mecánica” en las advertencias se refiere a su herramienta mecánica alimentada por la red eléctrica (herramienta alámbrica) o su herramienta mecánica alimentada por baterías (herramienta inalámbrica).

#### 1) Seguridad del área de trabajo

- a) **Mantenga el área de trabajo limpia y bien iluminada.** Las áreas desordenadas u oscuras invitan a que se produzcan accidentes.
- b) **No utilice herramientas mecánicas en atmósferas explosivas, como por ejemplo en presencia de líquidos, gases o polvos inflamables.** Las herramientas mecánicas generan chispas que pueden incendiar el polvo o los vapores.
- c) **Mantenga alejados a los niños y a las personas que estén presentes mientras esté utilizando una herramienta mecánica.** Las distracciones pueden hacerle perder el control de la herramienta.

#### 2) Seguridad eléctrica

- a) **Los enchufes de las herramientas mecánicas deben coincidir con el tomacorriente. No modifique nunca el enchufe de ningún modo. No use enchufes adaptadores con herramientas mecánicas conectadas a tierra (puestas a tierra).** Los enchufes no modificados y los tomacorrientes coincidentes reducirán el riesgo de sacudidas eléctricas.
- b) **Evite el contacto del cuerpo con las superficies conectadas o puestas a tierra, tales como tuberías, radiadores, estufas y refrigeradores.** Hay un aumento del riesgo de sacudidas eléctricas si el cuerpo del operador se conecta o pone a tierra.
- c) **No exponga las herramientas mecánicas a la lluvia o a condiciones mojadas.** La entrada de agua en una herramienta mecánica aumentará el riesgo de que se produzcan sacudidas eléctricas.
- d) **No maltrate el cordón de energía. No use nunca el cordón para transportar la herramienta mecánica, tirar de ella o desenchufarla. Mantenga el cordón alejado del calor, el aceite, los bordes afilados o las piezas móviles.** Los cordones dañados o enganchados aumentan el riesgo de que se produzcan sacudidas eléctricas.
- e) **Cuando utilice una herramienta mecánica en el exterior, use un cordón de extensión adecuado**

**para uso a la intemperie.** La utilización de un cordón adecuado para uso a la intemperie reduce el riesgo de que se produzcan sacudidas eléctricas.

- f) **Si es inevitable utilizar una herramienta mecánica en un lugar húmedo, utilice una fuente de energía protegida por un interruptor de circuito accionado por corriente de pérdida a tierra (GFCI).** El uso de un GFCI reduce el riesgo de sacudidas eléctricas.

#### 3) Seguridad personal

- a) **Manténgase alerta, fíjese en lo que está haciendo y use el sentido común cuando esté utilizando una herramienta mecánica. No use una herramienta mecánica cuando esté cansado o bajo la influencia de drogas, alcohol o medicamentos.** Un momento de distracción mientras esté utilizando herramientas mecánicas podría causar lesiones corporales graves.
- b) **Use equipo de protección personal. Use siempre protección de los ojos.** El equipo de protección, como por ejemplo una máscara antipolvo, calzado de seguridad antideslizante, casco o protección de oídos, utilizado para las condiciones apropiadas, reducirá las lesiones corporales.
- c) **Evite el arranque accidental. Asegúrese de que el interruptor esté en la posición de apagado antes de conectar la herramienta a la fuente de energía y / o al paquete de batería, levantar la herramienta o transportarla.** Transportar herramientas mecánicas con un dedo en el interruptor o encender herramientas mecánicas que tengan el interruptor en la posición de encendido invita a que se produzcan accidentes.
- d) **Quite todas las llaves de ajuste o de tuerca antes de encender la herramienta mecánica.** Una llave de tuerca o de ajuste que se deje colocada en una pieza giratoria de la herramienta mecánica podría causar lesiones corporales.
- e) **No intente alcanzar demasiado lejos. Mantenga un apoyo de los pies y un equilibrio apropiados en todo momento.** Esto permite controlar mejor la herramienta mecánica en situaciones inesperadas.
- f) **Vístase adecuadamente. No use ropa holgada ni alhajas holgadas. Mantenga el pelo, la ropa y los guantes alejados de las piezas móviles.** La ropa holgada, las alhajas holgadas o el pelo largo pueden quedar atrapados en las piezas móviles.
- g) **Si se proporcionan dispositivos para la conexión de instalaciones de extracción y recolección de polvo, asegúrese de que dichas instalaciones estén conectadas y se usen correctamente.** El uso de dispositivos de recolección de polvo puede reducir los peligros relacionados con el polvo.



- 4) Uso y cuidado de las herramientas mecánicas**
- a) **No fuerce la herramienta mecánica. Use la herramienta mecánica correcta para la aplicación que desee realizar.** La herramienta mecánica correcta hará el trabajo mejor y con más seguridad a la capacidad nominal para la que fue diseñada.
  - b) **No use la herramienta mecánica si el interruptor no la enciende y apaga.** Toda herramienta mecánica que no se pueda controlar con el interruptor es peligrosa y debe ser reparada.
  - c) **Desconecte el enchufe de la fuente de energía y/o el paquete de batería de la herramienta mecánica antes de hacer cualquier ajuste, cambiar accesorios o almacenar herramientas mecánicas.** Dichas medidas preventivas de seguridad reducen el riesgo de arrancar accidentalmente la herramienta mecánica.
  - d) **Guarde las herramientas que no esté usando fuera del alcance de los niños y no deje que personas que no estén familiarizadas con la herramienta mecánica o con estas instrucciones utilicen la herramienta.** Las herramientas mecánicas son peligrosas en manos de usuarios que no hayan recibido capacitación.
  - e) **Mantenga las herramientas mecánicas. Compruebe si hay piezas móviles desalineadas o**
- que se atorran, si hay piezas rotas y si existe cualquier otra situación que podría afectar el funcionamiento de la herramienta mecánica. Si la herramienta mecánica está dañada, haga que la reparen antes de usarla. Muchos accidentes son causados por herramientas mecánicas mantenidas deficientemente.
- f) **Mantenga las herramientas de corte afiladas y limpias.** Es menos probable que las herramientas de corte mantenidas apropiadamente, con bordes de corte afilados, se atoren, y dichas herramientas son más fáciles de controlar.
  - g) **Utilice la herramienta mecánica, los accesorios, las brocas de la herramienta, etc., de acuerdo con estas instrucciones, teniendo en cuenta las condiciones de trabajo y el trabajo que se vaya a realizar.** El uso de la herramienta mecánica para operaciones distintas a aquéllas para las que fue diseñada podría causar una situación peligrosa.
- 5) Servicio de ajustes y reparaciones**
- a) **Haga que su herramienta mecánica reciba servicio de un técnico de reparaciones calificado, utilizando únicamente piezas de repuesto idénticas.** Esto asegurará que se mantenga la seguridad de la herramienta mecánica.

## Advertencias de seguridad específicas para herramientas mecánicas

- Advertencias de seguridad comunes para las operaciones de amolado, lijado, cepillado con cepillo de alambre y corte con ruedas abrasivas:
- a) **Esta herramienta mecánica está diseñada para funcionar como amoladora, lijadora, cepillo de alambre o herramienta recortadora. Lea todas las advertencias de seguridad, instrucciones, ilustraciones y especificaciones suministradas con esta herramienta mecánica.** Si no se siguen todas las instrucciones que se indican a continuación, el resultado podría ser descargas eléctricas, incendio y/o lesiones graves.
  - b) **Esta herramienta mecánica no se recomienda para pulir.** Las operaciones para las cuales la herramienta mecánica no fue diseñada pueden crear un peligro y causar lesiones corporales.
  - c) **No utilice accesorios que no estén diseñados y recomendados específicamente por el fabricante de la herramienta.** Sólo porque el accesorio se pueda instalar en su herramienta mecánica, eso no garantiza una operación segura.
  - d) **La velocidad nominal del accesorio debe ser al menos igual a la velocidad marcada en la herramienta mecánica.** Los accesorios que funcionen más rápidamente que su VELOCIDAD NOMINAL se pueden romper y salir despedidos.
  - e) **El diámetro exterior y el grosor de su accesorio deben estar dentro de la capacidad nominal de su herramienta mecánica.** Los accesorios de tamaño incorrecto no se pueden proteger ni controlar adecuadamente.
  - f) **El tamaño del eje portaherramienta de las ruedas de amolar, las pestañas, las zapatas de soporte o cualquier otro accesorio debe encajar apropiadamente en el husillo de la herramienta mecánica.** Los accesorios con agujeros de eje portaherramienta que no coincidan con los herrajes de montaje de la herramienta mecánica funcionarán desequilibrados, vibrarán excesivamente y podrán causar pérdida de control.
  - g) **No utilice un accesorio que esté dañado. Antes de cada uso, inspeccione el accesorio, como por ejemplo las ruedas abrasivas para comprobar si tienen picaduras y grietas, la zapata de soporte para comprobar si tiene grietas, desgarraduras o desgaste excesivo, y el cepillo de alambre para comprobar si hay alambres flojos o agrietados. Si la herramienta mecánica o el accesorio se cae, realice una inspección para comprobar si se ha dañado o instale un accesorio que no esté dañado. Después de inspeccionar e instalar un accesorio, posicione usted y posicione a las**





personas que estén presentes alejados del plano del accesorio que gira y haga funcionar la herramienta mecánica a la máxima velocidad sin carga durante un minuto. Normalmente, los accesorios dañados se romperán en pedazos durante este tiempo de prueba.

- h) **Utilice equipo de protección personal.** Dependiendo de la aplicación, use una careta, anteojos de seguridad o lentes de seguridad. Según sea apropiado, use una máscara antipolvo, protectores de la audición, guantes y un delantal de taller capaz de detener pequeños fragmentos de abrasivo o de la pieza de trabajo. La protección de los ojos debe ser capaz de detener los residuos que salgan despedidos al ser generados por diversas operaciones. La máscara antipolvo o el respirador debe ser capaz de filtrar las partículas generadas por la operación que usted realice. La exposición prolongada a ruido de alta intensidad puede causar pérdida de audición.
- i) **Mantenga a las personas presentes a una distancia segura del área de trabajo. Toda persona que entre al área de trabajo debe usar equipo de protección personal.** Los fragmentos de la pieza de trabajo o de un accesorio roto pueden salir despedidos y causar lesiones más allá del área inmediata de operación.
- j) **Agarre la herramienta mecánica solamente por las superficies de agarre con aislamiento cuando realice una operación en la que el accesorio de corte pueda entrar en contacto con cables ocultos o su propio cordón de energía.** Si un accesorio de corte entra en contacto con un cable "con corriente", eso puede hacer que las partes metálicas de la herramienta mecánica que estén al descubierto "lleven corriente" y causen descargas eléctricas al operador.
- k) **Posicione el cordón de energía alejado del accesorio que gira.** Si usted pierde el control, el cordón de energía puede resultar cortado o enganchado y la mano o el brazo del operador puede ser arrastrado hasta el accesorio que gira.
- l) **No deje nunca la herramienta mecánica en ningún lugar hasta que el accesorio se haya detenido por completo.** El accesorio que gira se puede enganchar en la superficie y tirar de la herramienta mecánica hasta hacer que usted pierda el control.
- m) **No haga funcionar la herramienta mecánica mientras la lleva a su lado.** El contacto accidental con el accesorio que gira podría enganchar la ropa del operador y tirar del accesorio hacia su cuerpo.
- n) **Limpie regularmente las aberturas de ventilación de la herramienta mecánica.** El ventilador del motor absorberá el polvo al interior de la carcasa y la acumulación excesiva de metal en polvo puede causar peligros eléctricos.
- o) **No utilice la herramienta mecánica cerca de materiales inflamables.** Las chispas podrían incendiar estos materiales.

- p) **No utilice accesorios que requieran enfriadores líquidos.** La utilización de agua u otros enfriadores líquidos puede causar electrocución o descargas eléctricas.

#### **Retroceso y advertencias relacionadas**

El retroceso es una reacción repentina a una rueda que gira, una zapata de soporte, un cepillo o cualquier otro accesorio que resulte pellizcado o enganchado. El pellizcamiento o el enganche causan una parada rápida del accesorio que gira, lo cual a su vez hace que la herramienta mecánica descontrolada sea forzada en sentido opuesto al de rotación del accesorio en el punto del atoramiento.

Por ejemplo, si la pieza de trabajo engancha o pellizca una rueda abrasiva, el borde de la rueda que esté entrando en el punto de pellizcamiento puede penetrar en la superficie del material, haciendo que la rueda se salga del corte o experimente retroceso. La rueda puede saltar hacia el operador o alejándose de éste, dependiendo del sentido de movimiento de dicha rueda en el punto de pellizcamiento. Las ruedas abrasivas también se pueden romper en estas condiciones.

El retroceso es el resultado de la utilización indebida de la herramienta mecánica y/o de procedimientos o condiciones de operación incorrectos, y se puede evitar tomando las precauciones apropiadas que se indican a continuación.

- a) **Mantenga un agarre firme de la herramienta mecánica y posicione el cuerpo y el brazo para permitir que usted resista las fuerzas de retroceso. Utilice siempre el mango auxiliar, si se suministra, para tener el máximo control sobre el retroceso o la reacción de fuerza de torsión durante el arranque.** El operador puede controlar las reacciones de fuerza de torsión o las fuerzas de retroceso, si se toman las precauciones apropiadas.
- b) **No coloque nunca la mano cerca del accesorio que gira.** El accesorio puede experimentar retroceso sobre la mano.
- c) **No ubique el cuerpo en el área donde la herramienta mecánica se moverá si se produce retroceso.** El retroceso propulsará la herramienta en sentido contrario al del movimiento de la rueda en el punto de enganche.
- d) **Tenga cuidado especial cuando trabaje en esquinas, bordes afilados, etc. Evite hacer rebotar y enganchar el accesorio.** Las esquinas, los bordes afilados o los rebotes tienen tendencia a enganchar el accesorio que gira y causar pérdida de control o retroceso.
- e) **No instale una hoja de cadena de sierra para tallar madera ni una hoja con dientes de sierra.** Dichas hojas generan retroceso y pérdida de control frecuentes.







**Advertencias de seguridad específicas para las operaciones de amolado y corte con ruedas abrasivas:**

- a) **Utilice únicamente los tipos de rueda que estén recomendados para su herramienta mecánica y el protector específico diseñado para la rueda seleccionada.** Las ruedas para las cuales no se diseñó la herramienta mecánica no pueden ser protegidas adecuadamente y son inseguras.
- b) **El protector se debe instalar firmemente en la herramienta mecánica y se debe posicionar de manera que brinde la máxima seguridad, para que la cantidad de rueda que esté expuesta hacia el operador sea mínima.** El protector ayuda a proteger al operador contra los fragmentos de rueda rota y el contacto accidental con la rueda.
- c) **Las ruedas se deben utilizar solamente para las aplicaciones recomendadas. Por ejemplo: no amuele con el lado de una rueda recortadora.** Las ruedas recortadoras abrasivas están diseñadas para realizar amolado periférico; las fuerzas laterales aplicadas a estas ruedas pueden hacer que se rompan en pedazos.
- d) **Utilice siempre pestañas de rueda no dañadas que tengan el tamaño y la forma correctos para la rueda que usted seleccione.** Las pestañas de rueda apropiadas soportan la rueda, con lo cual reducen la posibilidad de que la rueda se rompa. Las pestañas para las ruedas recortadoras pueden ser diferentes a las pestañas para las ruedas de amolar.

- e) **No utilice ruedas desgastadas de herramientas mecánicas más grandes.** La rueda diseñada para una herramienta mecánica más grande no es adecuada para la velocidad más alta de una herramienta más pequeña y puede reventar.

**Advertencias de seguridad específicas para las operaciones de corte con ruedas abrasivas:**

**No intente cortar material grande ni chapas de metal, ya que esta máquina no está diseñada para ser una máquina recortadora dedicada.**

- a) **No “atore” la rueda recortadora ni ejerza una presión excesiva.** No intente lograr una profundidad de corte excesiva. Si se somete la rueda a una tensión excesiva, se aumenta la carga y la susceptibilidad de la rueda a torcerse o atorarse en el corte, así como la posibilidad de retroceso o rotura de la rueda.
- b) **No posicione el cuerpo en línea con la rueda que gira ni detrás de ella.** Cuando la rueda, en el punto de operación, se esté moviendo alejándose del cuerpo del operador, el posible retroceso podría propulsar la rueda que gira y la herramienta mecánica directamente hacia usted.
- c) **Cuando la rueda se esté atorando o cuando se interrumpa un corte por cualquier motivo, apague**

**la herramienta mecánica y sujétela en posición inmóvil hasta que la rueda se detenga por completo. No intente nunca sacar del corte la rueda recortadora mientras dicha rueda esté en movimiento, ya que si lo hace podría ocurrir retroceso.** Investigue la causa del atoramiento de la rueda y tome medidas correctivas para eliminar dicha causa.

- d) **No reinicie la operación de corte en la pieza de trabajo. Deje que la rueda alcance su velocidad máxima y reentre cuidadosamente en el corte.** La rueda se puede atorar, desviar o experimentar retroceso si la herramienta mecánica es rearrancada en la pieza de trabajo.
- e) **Soporte los paneles o cualquier pieza de trabajo muy grande para minimizar el riesgo de pellizcamiento y retroceso de la rueda.** Las piezas de trabajo grandes tienden a combarse bajo su propio peso. Se deben colocar soportes debajo de la pieza de trabajo cerca de la línea de corte y cerca del borde de la pieza de trabajo a ambos lados de la rueda.
- f) **Tenga precaución adicional cuando haga un “corte de bolsillo” en paredes existentes u otras áreas ciegas.** La rueda que sobresale podría cortar tuberías de gas o agua, cables eléctricos y objetos que pueden causar retroceso.

**No utilice ruedas abrasivas de tipo 1 diseñadas para amoladoras rectas.**

**Advertencias de seguridad específicas para las operaciones de lijado:**

- a) **No utilice papel de disco de lijar excesivamente grande. Siga las recomendaciones del fabricante cuando seleccione el papel de lija.** El papel de lija más grande que sobresale de la zapata de lijar presenta un peligro de laceraciones y puede causar enganche, desgarradura del disco o retroceso.

**Advertencias de seguridad para las operaciones con cepillo de alambre:**

- a) **Tenga presente que el cepillo lanza cerdas de alambre incluso durante la operación ordinaria. No someta los alambres a una tensión excesiva al aplicar una carga excesiva al cepillo.** Las cerdas de alambre pueden penetrar fácilmente en la ropa ligera y/o la piel.
- b) **Si se recomienda utilizar un protector para realizar operaciones con cepillo de alambre, no permita ninguna interferencia de la rueda con rayos de alambre o el cepillo de alambre con el protector.** La rueda con rayos de alambre o el cepillo de alambre se puede expandir en diámetro debido a la carga de trabajo y las fuerzas centrifugas.



## Advertencias de seguridad adicionales

Un GFCI y los dispositivos de protección personal, como guantes de goma y calzado de goma de electricista, mejorarán más su seguridad personal.

**No use herramientas mecánicas con capacidad nominal solamente para CA con una fuente de energía de CC.** Aunque pueda parecer que la herramienta funciona correctamente, es probable que los componentes eléctricos de la herramienta con capacidad nominal para CA fallen y creen un peligro para el operador.

**Mantenga los mangos secos, limpios y libres de aceite y grasa.** Las manos resbalosas no pueden controlar de modo seguro la herramienta mecánica.

**Use abrazaderas u otro modo práctico de sujetar y soportar la pieza de trabajo en una plataforma estable.** Si se sujeta la pieza de trabajo con la mano o contra el cuerpo, se crea una situación inestable que podría causar pérdida de control.

**Desarrolle un programa de mantenimiento periódico de la herramienta. Cuando limpie una herramienta, tenga cuidado de no desmontar ninguna de sus partes, ya que los cables internos podrían reubicarse incorrectamente o pellizcarse, o los resortes de retorno de los protectores de seguridad podrían montarse incorrectamente.** Ciertos agentes de limpieza, tales como gasolina, tetracloruro de carbono, amoníaco, etc., podrían dañar las piezas de plástico.

Riesgo de lesiones para el usuario. El cordón de energía debe recibir servicio de ajustes y reparaciones solamente por un Centro de Servicio de Fábrica Bosch o una Estación de Servicio Bosch Autorizada.

**Utilice el protector de la mano cuando lije y cepille.**

**No utilice ruedas de tipo 1 para amolar superficies frontales.** Las fuerzas laterales aplicadas a las ruedas de tipo 1 pueden hacer que se rompan en pedazos o revienten.

**⚠ ADVERTENCIA** Cierta polvo generado por el lijado, aserrado, amolado y taladrado mecánicos, y por otras actividades de construcción, contiene agentes químicos que se sabe que causan cáncer, defectos de nacimiento u otros daños sobre la reproducción. Algunos ejemplos de estos agentes químicos son:

- Plomo de pinturas a base de plomo,
- Sílice cristalina de ladrillos y cemento y otros productos de mampostería, y
- Arsénico y cromo de madera tratada químicamente.

Su riesgo por causa de estas exposiciones varía, dependiendo de con cuánta frecuencia realice este tipo de trabajo. Para reducir su exposición a estos agentes químicos: trabaje en un área bien ventilada y trabaje con equipo de seguridad aprobado, como por ejemplo máscaras antipolvo que estén diseñadas especialmente para impedir mediante filtración el paso de partículas microscópicas.

## Símbolos

**IMPORTANTE:** Es posible que algunos de los símbolos siguientes se usen en su herramienta. Por favor, estúdielos y aprenda su significado. La interpretación adecuada de estos símbolos le permitirá utilizar la herramienta mejor y con más seguridad.

Símbolo	Nombre	Designación/explicación
V	Volt	Tensión (potencial)
A	Ampere	Corriente
Hz	Hertz	Frecuencia (ciclos por segundo)
W	Watt	Potencia
kg	Kilogramo	Peso
min	Minuto	Tiempo
s	Segundo	Tiempo
∅	Diámetro	Tamaño de las brocas taladradoras, muelas, etc
$\eta_0$	Velocidad sin carga	Velocidad rotacional sin carga
n	Velocidad nominal	Máxima velocidad obtenible
.../min	Revoluciones o alternación por minuto	Revoluciones, golpes, velocidad de superficie, órbitas, etc., por minuto
0	Posición "off" (apagado)	Velocidad cero, par motor cero...
1, 2, 3, ... I, II, III,	Graduaciones del selector	Graduaciones de velocidad, par motor o posición. Un número más alto significa mayor velocidad
	Selector infinitamente variable con apagado	La velocidad aumenta desde la graduación de 0
	Flecha	Acción en la dirección de la flecha
	Corriente alterna	Tipo o una característica de corriente
	Corriente continua	Tipo o una característica de corriente
	Corriente alterna o continua	Tipo o una característica de corriente
	Construcción de clase II	Designa las herramientas de construcción con aislamiento doble.
	Terminal de toma de tierra	Terminal de conexión a tierra
	Símbolo de advertencia	Alerta al usuario sobre mensajes de advertencia
	Sello RBRC de Li-ion	Designa el programa de reciclaje de baterías de Li-ion
	Sello RBRC de Ni-Cd	Designa el programa de reciclaje de baterías de Ni-Cd
	Símbolo de lectura del manual	Alerta al usuario para que lea el manual
	Símbolo de uso de protección de los ojos	Alerta al usuario para que use protección de los ojos



## Símbolos (continuación)

**IMPORTANTE:** Es posible que algunos de los símbolos siguientes se usen en su herramienta. Por favor, estúdielos y aprenda su significado. La interpretación adecuada de estos símbolos le permitirá utilizar la herramienta mejor y con más seguridad.



Este símbolo indica que esta herramienta está catalogada por Underwriters Laboratories.



Este símbolo indica que esta herramienta está reconocida por Underwriters Laboratories.



Este símbolo indica que Underwriters Laboratories ha catalogado esta herramienta indicando que cumple con las normas estadounidenses y canadienses.



Este símbolo indica que esta herramienta está catalogada por la Canadian Standards Association.



Este símbolo indica que la Canadian Standards Association ha catalogado esta herramienta indicando que cumple con las normas estadounidenses y canadienses.



Este símbolo indica que Intertek Testing Services ha catalogado esta herramienta indicando que cumple con las normas estadounidenses y canadienses.



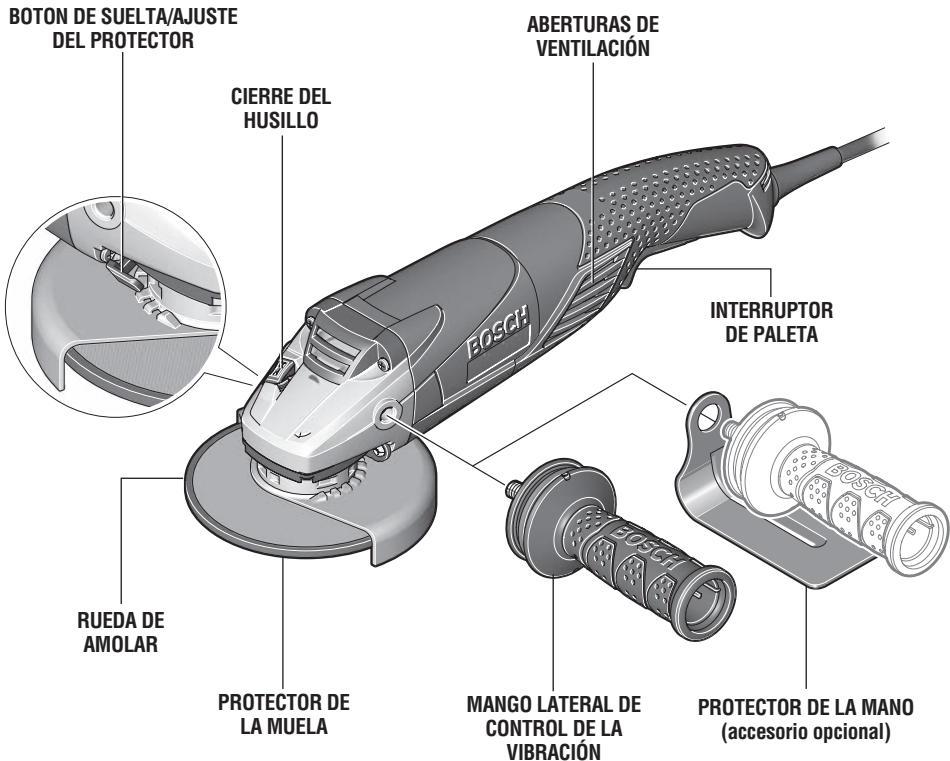
Este símbolo indica que esta herramienta cumple con la norma mexicana oficial (NOM).

## Descripción funcional y especificaciones

**ADVERTENCIA** Desconecte el enchufe de la fuente de energía antes de realizar cualquier ensamblaje o ajuste, o cambiar accesorios. Estas medidas de seguridad preventivas reducen el riesgo de arrancar la herramienta accidentalmente.

### Amoladoras angulares

FIG. 1



Número de modelo	1821, 1821D
* Velocidad nominal	n 0-11,000/min
* Máx. diámetro de la rueda abrasiva	5" (125 mm)
Rosca del husillo	5/8 "-11 GNU
Máx. longitud del husillo	9/16"
Máx. rueda con rayos de alambre	4" de diám.
Máx. cepillo acopado de alambre	3" de diám.
* Máx. disco de lijar	5" de diám.

## Descripción funcional y especificaciones (cont.)

Número de modelo	1821, 1821D
* Máx. ruedas de amolar de tipo 1 y 27	5" de diám.
* Máx. rueda de corte de tipo 1A y 27A	5" de diám.
* Máx. disco de aletas	5" de diám.

La velocidad nominal del accesorio debe ser igual o mayor que la velocidad nominal de la herramienta. No exceda el diámetro de rueda recomendado.

**NOTA:** No se recomienda para utilizarse con ruedas acopadas tipo 11.

**NOTA:** Para obtener las especificaciones de la herramienta, consulte la placa del fabricante colocada en la herramienta.

## Ensamblaje

### INSTALACION DEL PROTECTOR DE LA MUELA

#### **ADVERTENCIA**

El protector de la muela debe estar instalado cuando se utilicen ruedas de amolar o de corte de disco. Mantenga siempre el protector de la muela entre usted y la pieza de trabajo mientras esté amolando o cortando.

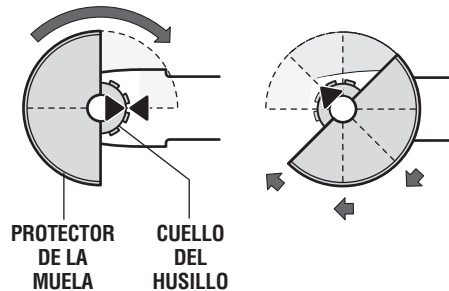
Para colocar el protector de la muela, DESCONECTE la herramienta de la fuente de energía. Posicione el protector en el cuello del husillo de modo que la flecha del protector quede alineada con la flecha del cuello del husillo. Gire el protector de la muela 90° en el sentido de las agujas del reloj hasta que se acople en su sitio con un chasquido (Fig. 2).

**PARA AJUSTAR EL PROTECTOR:** Oprima el botón de suelta del protector (Fig. 1), gire el protector hasta la posición deseada, suelte el botón y deje que el protector se acople en su sitio con un chasquido.

**PARA QUITAR EL PROTECTOR:** Oprima el botón de

suelta del protector, gire el protector hasta que la flecha del protector se alinee con la flecha del cuello del husillo y quite el protector del cuello.

**FIG. 2**



### TUERCA DE FIJACION Y PESTAÑA DE SOPORTE

La herramienta está equipada con un husillo roscado para montar accesorios. Utilice siempre la tuerca de fijación suministrada (y la pestaña de soporte) que tiene el mismo tamaño de rosca que el husillo.

### MANGO LATERAL DE CONTROL DE LA VIBRACIÓN

El mango lateral se utiliza para controlar y equilibrar la herramienta. El mango se debe enroscar en la carcasa delantera en cualquiera de los dos lados de la herramienta, dependiendo de la preferencia personal y la comodidad. Utilice el mango lateral para lograr un control seguro y facilitar la operación (Fig. 1).

### PROTECTOR DE LA MANO OPCIONAL

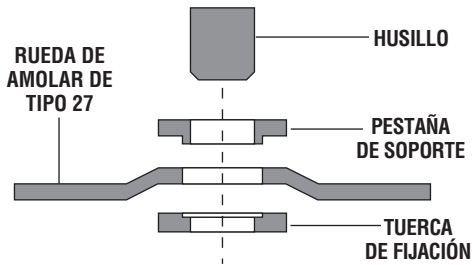
El protector de la mano se debe utilizar con las zapatas de soporte, los discos de lijar y los cepillos de alambre para mantener los dedos y la mano alejados de la superficie de trabajo, los bordes afilados, las rebabas y los residuos. Cuando utilice el accesorio protector de la mano opcional, inserte el mango lateral a través del agujero ubicado en el protector y luego enrósquelo en la carcasa (Fig. 1).

Asegúrese de que el protector de la mano esté posicionado entre la mano y la zapata de soporte, el disco de lijar o el cepillo de alambre.

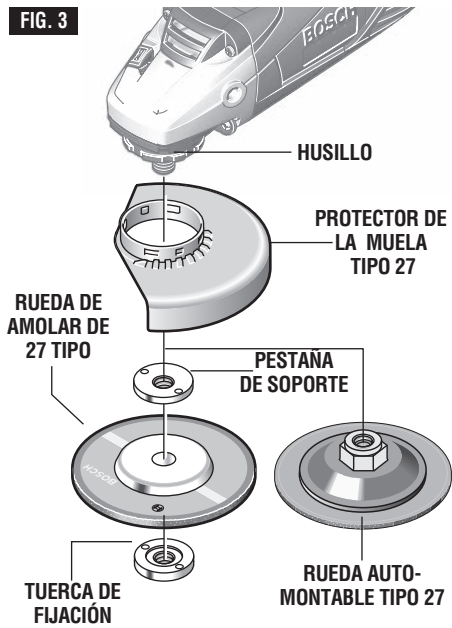
**ENSAMBLAJE DE LA RUEDA DE AMOLAR DE DISCO**

Desconecte la herramienta de la fuente de energía. Asegúrese de que el protector de la muela esté colocado en su sitio para amolar. Coloque la PESTAÑA DE SOPORTE y la RUEDA DE AMOLAR en el husillo. Enrosque la tuerca de fijación y apriétela usando la llave de tuercas de fijación suministrada, a la vez que sujeta el cierre del husillo hacia adentro (Fig. 3).

PARA DESMONTAR: Invierta el procedimiento. Cuando utilice ruedas de amolar automontables, enrósquelas directamente en el husillo.



**FIG. 3**



**ENSAMBLAJE DE LA RUEDA ABRASIVA DE TIPO 1A Y 27A**

Utilizando el protector de la muela tipo 1A opcional, es posible realizar corte limitado en material pequeño, tal como tubos, tuberías o barras de refuerzo de metal.

No intente cortar material grande ni chapas de metal, ya que esta herramienta no está diseñada para ser una herramienta de corte dedicada.

**ADVERTENCIA** Utilice siempre el protector de tipo 1A para cortar.

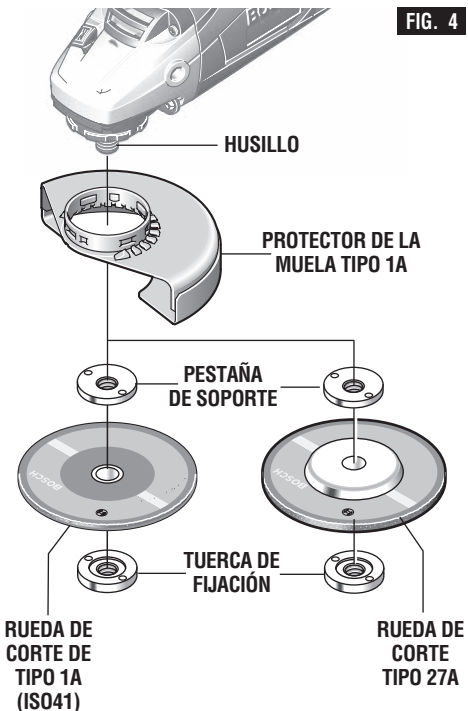
Desconecte la herramienta de la fuente de energía. Asegúrese de que el protector de la muela esté colocado en su sitio para cortar.

Cuando utilice ruedas de montaje, enrósque la PESTAÑA DE SOPORTE en el husillo y luego coloque la RUEDA en el husillo. Enrosque la tuerca de fijación y apriétela utilizando una llave de tuercas de fijación provista con el juego de adaptador, a la vez que sujeta hacia dentro el cierre del husillo (Fig. 4).

PARA DESMONTAR: Invierta el procedimiento. **RUEDAS ABRASIVAS DE TIPO 1 PARA AMOLADORAS RECTAS**

**ADVERTENCIA** No utilice ruedas abrasivas de tipo 1 diseñadas amoladoras rectas / de troquel. Esta herramienta no está diseñada para utilizarse con ruedas abrasivas de tipo 1 para amoladoras rectas / de troquel.

**FIG. 4**





**ENSAMBLAJE DE LOS ACCESORIOS DE LIJAD  
ZAPATA DE SOPORTE**

**⚠ ADVERTENCIA** Antes de colocar una zapata de soporte, asegúrese de que su velocidad máxima de funcionamiento con seguridad no es superada por la velocidad indicada en la placa del fabricante de la herramienta.

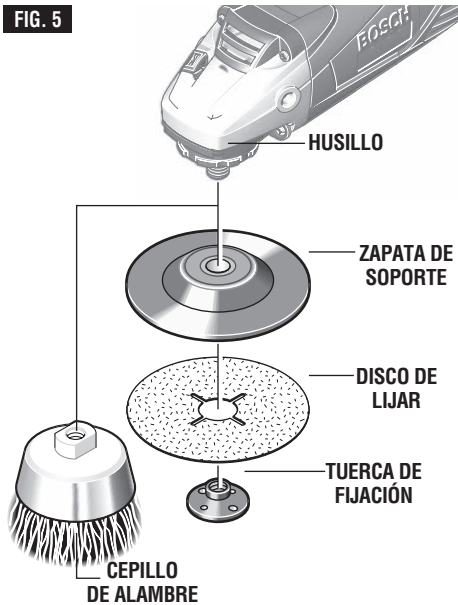
**⚠ ADVERTENCIA** El protector de la muela no se puede utilizar para la mayoría de las operaciones de lijado. Reinstale siempre el protector de la muela cuando realice la conversión a operaciones de amolado.

**PARA INSTALAR LA ZAPATA DE SOPORTE Y EL DISCO DE LIJAD**

Desconecte la herramienta de la fuente de energía. Instale el protector de la mano (Fig. 1). Apoye la herramienta sobre su lado superior (husillo hacia arriba). Coloque la zapata de soporte de caucho sobre el eje del husillo. Centre el disco de lijad sobre la zapata de soporte. Introduzca la tuerca de fijación a través del disco y enrósquela en el husillo hasta donde pueda con los dedos. Presione el cierre del husillo y luego apriete firmemente la zapata de soporte con la llave de tuercas de fijación (Fig. 5).

PARA DESMONTAR: Invierta el procedimiento.

**FIG. 5**



**ENSAMBLAJE DEL CEPILLO DE ALAMBRE**

Antes de ensamblar el cepillo de alambre en esta herramienta, desconéctela de la fuente de energía. Instale el protector de la mano (Fig. 1). Los cepillos de alambre están equipados con su propio cubo roscado; simplemente enrósque dicho cubo en el husillo. Asegúrese de que quede asentado contra el hombro antes de "ENCENDER" la herramienta.

PARA DESMONTAR: Invierta el procedimiento.

**ENSAMBLAJE DE LA RUEDA CON RAYOS DE ALAMBRE**

Antes de ensamblar la rueda con rayos de alambre en esta herramienta, desconéctela de la fuente de energía. Instale el protector de tipo 27 (Fig. 2). Las ruedas con rayos de alambre están equipadas con su propio cubo roscado; simplemente enrósque dicho cubo en el husillo. Asegúrese de que quede asentado contra el hombro antes de "ENCENDER" la herramienta.

PARA DESMONTAR: Invierta el procedimiento.

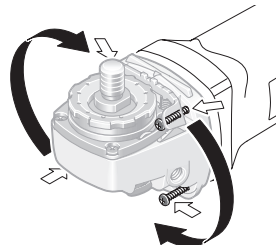
**ENSAMBLAJE DE LA RUEDA DE CORTE DE MAMPOSTERÍA**

Desconecte el enchufe de la fuente de energía. Desenrosque completamente los cuatro tornillos y rote cuidadosamente la cabeza de la herramienta hasta la nueva posición sin retirarla de la carcasa. En el caso de herramientas con interruptor de paleta, dicho interruptor debe estar orientado hacia "abajo", hacia la superficie de trabajo. En el caso de herramientas con interruptor deslizante, dicho interruptor debe estar orientado hacia "arriba", hacia el usuario, con el fin de que la herramienta se pueda utilizar para aplicaciones prolongadas de corte de mampostería. Enrosque y apriete de nuevo los cuatro tornillos (Fig. 6).

**⚠ ADVERTENCIA**

Retorne la cabeza de la herramienta a la posición original cuando regrese a operaciones de amolado, lijado, cepillado o corte de metal.

**FIG. 6**



Instale el protector de extracción de polvo con placa-base para aplicaciones de corte de mampostería de manera que la rotación de la rueda sea hacia el orificio de extracción de la aspiradora. Coloque la PESTAÑA DE SOPORTE y la RUEDA DE DIAMANTE DE CORTE EN SECO en el husillo. Enrosque la TUERCA DE FIJACIÓN y apriétela utilizando la llave de tuercas de fijación suministrada, a la vez que sujeta hacia dentro el cierre del husillo (Fig. 7).

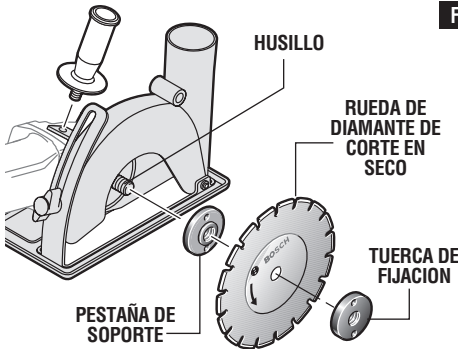


FIG. 7

**⚠ ADVERTENCIA**

Utilice únicamente una tuerca de fijación y una pestaña con diámetros iguales.

**⚠ ADVERTENCIA**

No utilice agua ni ningún otro líquido de enfriamiento con esta herramienta para cortar.

## Instrucciones de funcionamiento

**⚠ ADVERTENCIA**

Agarre la herramienta con las dos manos cuando arranque la herramienta, ya que el par de fuerzas del motor puede hacer que la herramienta se tuerza.

Arranque la herramienta antes de aplicarla a la pieza de trabajo. Levante la herramienta de la pieza de trabajo antes de soltar el interruptor. No encienda y apague la herramienta con el interruptor mientras la herramienta está sometida a carga; esto acortará enormemente la vida del interruptor.

**INTERRUPTOR DE PALETA "TRICONTROL"  
(Modelos 1821 solamente)**

El interruptor de paleta "tricontrol" permite al operador controlar las funciones del interruptor de "Fijación en OFF", "ON/OFF" y "Fijación en ON".

**PARA DESBLOQUEAR EL INTERRUPTOR Y ENCENDER LA HERRAMIENTA (POSICION "ON"):** Empuje la palanca de paleta hacia ADELANTE (hacia el husillo) y luego oprima la palanca de paleta.

**PARA APAGAR LA HERRAMIENTA (POSICION "OFF"):** Deje de ejercer presión sobre la palanca de paleta. El interruptor está accionado por resorte y volverá a la posición "OFF" automáticamente.

El dispositivo de "Fijación en ON", incorporado al interruptor de paleta, resulta práctico para operaciones de lijado prolongadas.

**PARA FIJAR EL INTERRUPTOR EN LA POSICION "ON":** Después de activar el interruptor, EMPUJE la palanca de paleta completamente hacia ADELANTE y deje de ejercer presión sobre la palanca de paleta.

**PARA APAGAR LA HERRAMIENTA (POSICION "OFF"):** Oprima la palanca de paleta y luego suéltela. El interruptor está accionado por resorte y volverá a la posición "OFF" automáticamente.

**INTERRUPTOR DE PALETA CON DISPOSITIVO DE "FIJACION EN OFF" (APAGADO)  
(Modelos 1821D solamente)**

El interruptor de paleta permite al operador controlar las funciones del interruptor de "Fijación en OFF" (apagado) y "ON/OFF" (encendido y apagado).

**PARA DESBLOQUEAR EL INTERRUPTOR Y ENCENDER LA HERRAMIENTA (POSICION "ON"):** Empuje la palanca de paleta hacia ADELANTE (hacia el husillo) y luego oprima la palanca de paleta.

**PARA APAGAR LA HERRAMIENTA (POSICION "OFF"):** Deje de ejercer presión sobre la palanca de paleta. El interruptor está accionado por resorte y volverá a la posición "OFF" automáticamente.

## Operación de amolado

### SELECCION DE RUEDAS DE AMOLAR

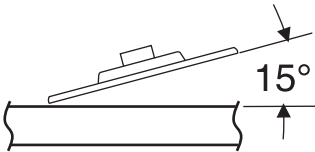
**ADVERTENCIA** Antes de utilizar una rueda de amolar, asegúrese de que su velocidad máxima de funcionamiento con seguridad no es superada por la velocidad indicada en la placa del fabricante de la amoladora. No exceda el diámetro de muela recomendado.

### RUEDAS DE AMOLAR DE DISCO

Las ruedas de amolar se deben seleccionar cuidadosamente para utilizar la amoladora con una eficiencia máxima. Las muelas varían en cuanto a tipo de abrasivo, adhesivo, dureza, tamaño del grano y estructura. El tipo correcto de rueda de amolar que se debe utilizar es determinado por el trabajo. Utilice ruedas de amolar de disco para realizar amolado rápido de acero estructural, cordones de soldadura pesada y piezas fundidas de acero, así como acero inoxidable y otros metales ferrosos.

### CONSEJOS PARA AMOLAR

El amolado eficiente se logra controlando la presión y manteniendo un ángulo de  $10^\circ$  a  $15^\circ$  entre la muela y la pieza de trabajo. Si la muela está en posición horizontal, es difícil controlar la herramienta. Si el ángulo es demasiado pronunciado, la presión se concentra en un área pequeña, haciendo que la superficie de trabajo se queme.



**ADVERTENCIA** Una presión excesiva o repentina sobre la muela retrasará la acción de amolado y someterá a la muela a un esfuerzo peligroso.

Al amolar con una muela nueva, asegúrese de amolar mientras que tira de la herramienta hacia atrás hasta que el borde de la muela quede redondeado. Las muelas nuevas tienen esquinas afiladas que tienden a "morder" o cortar la pieza de trabajo al empujar hacia adelante.

### CORTE DE METAL

Utilizando el protector de la muela tipo 1A opcional, es posible realizar corte limitado en material pequeño, tal como tubos, tuberías o barras de refuerzo de metal. Cuando corte, trabaje con un avance moderado, adaptado al material que se esté cortando. No ejerza presión lateral sobre el disco de corte y no incline ni oscile la herramienta. Cuando corte perfiles y barra cuadrada, lo mejor es comenzar en la sección transversal más pequeña.

Siga siempre las precauciones para evitar el retroceso.

No ejerza presión lateral en la rueda de corte para reducir su velocidad.

La herramienta se debe usar siempre de manera que las chispas se dirijan alejándose del usuario.

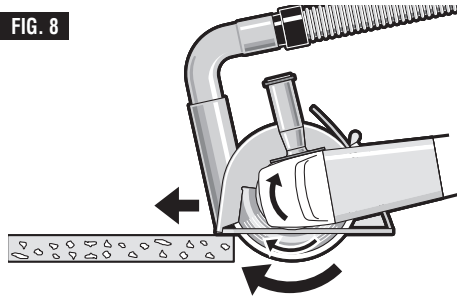
### CORTE DE MAMPOSTERÍA

Utilice la herramienta solamente con extracción de polvo y use además una máscara de protección antipolvo. La aspiradora utilizada para esta aplicación debe estar aprobada para la extracción de polvo de mampostería. Bosch vende muchas aspiradoras adecuadas.

**ADVERTENCIA** Cuando corte mampostería, utilice siempre extracción de polvo con placa-base. La herramienta se puede utilizar solamente para cortar en seco. Cuando corte mampostería, utilice una rueda de diamante de corte en seco.

Corte siempre hacia el orificio de extracción de polvo (Fig. 8).

FIG. 8



Encienda la herramienta y coloque la parte delantera de la guía de corte sobre la pieza de trabajo. Deslice la herramienta con una velocidad de avance moderada, adaptada al material que se vaya a cortar.

Cuando realice cortes profundos, lo mejor es cortar en varias pasadas poco profundas.

Cuando corte material especialmente duro, por ej., concreto con un alto contenido de piedrecitas, la rueda de diamante de corte en seco se puede recalentar y sufrir daños. Esto está claramente indicado por la generación circular de chispas por la rueda de diamante de corte en seco mientras gira.

En este caso, interrumpa el proceso de corte y deje que la rueda de diamante de corte en seco se enfríe haciendo funcionar la herramienta durante un corto período a máxima velocidad sin carga.

Una reducción notable del progreso del trabajo y la generación circular de chispas son indicaciones de que una rueda de diamante de corte en seco se ha desafilado. Cortar brevemente en materiales abrasivos (por ej., ladrillo) puede reafilarse de nuevo la rueda.

## Operaciones de lijado

### SELECCION DEL DISCO DE LIJAR

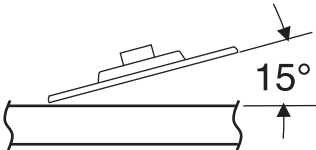
Los discos de lijado están hechos de granos de óxido de aluminio extremadamente duros y afilados, adheridos con resinas fenólicas a un fuerte soporte de fibra para servicios pesados rápidos y larga duración. El disco varía en cuanto a tamaño y separación de los granos abrasivos. **CAPA ABIERTA** (tipo H) - utilizado para materiales blandos y sobre pintura o barniz. **CAPA CERRADA** (tipo K) - utilizado para metal, madera dura, piedra, mármol y otros materiales.

Los discos de lijado varían en grano desde 16 (muy grueso) hasta 180 (muy fino). Para obtener mejores resultados, seleccione los discos de lijado cuidadosamente. Muchos trabajos requieren la utilización de varios tamaños de grano y a veces se requieren tanto discos de "capa abierta" como de "capa cerrada" para realizar el trabajo más deprisa. Consulte el cuadro para ver ejemplos de aplicaciones.

OPERACION: Reacabado de superficies de madera o de metal pintadas.	
OBSERVACIONES	GRANO
Para quitar pintura y alisar irregularidades de la superficie.	Grueso 16-24-30
Para alisar el lijado basto.	Mediano 36-50-80
Para quitar arañazos dejados por discos anteriores	Fino 100-120
Para alisar superficies para pintar, pulir o encerar.	Muy fino 150-180

### CONSEJOS PARA LIJAR

Para mejores resultados, incline la lijadora de disco hasta un ángulo de 10° a 15° mientras lija para que aproximadamente sólo 1 pulgada de la superficie alrededor del borde del disco esté en contacto con la superficie de trabajo.



### ⚠️ ADVERTENCIA

Si el disco (accesorio) se mantiene en posición horizontal o si el borde de atrás del disco entra en contacto con la pieza de trabajo, se puede producir un violento impulso hacia un lado.

Si la lijadora se inclina demasiado, la acción de lijado será demasiado grande y se producirá una superficie cortada bastamente o acanalado y atasco.

Guíe la lijadora de disco con pasadas transversales. Tenga cuidado de no mantener la lijadora en el mismo sitio demasiado tiempo. No utilice un movimiento circular, ya que esto causa marcas de remolino. Antes de la utilización, haga una prueba sobre material de desecho.

No fuerce ni aplique presión al lijado. Utilice únicamente el peso de la herramienta como presión. Un exceso de presión en realidad entorpece el funcionamiento de la herramienta. Si se desea una remoción de material más rápida, cambie a un disco de grano más grueso.

Quite la pintura gomosa del metal con un disco de "capa abierta". Lije hasta que empiecen a saltar chispas y entonces pare y cambie a un disco de "capa cerrada" para quitar la pintura que quede.

### LIJADO DE MADERA

Al lijado de madera, el sentido del movimiento del disco en el punto de contacto debe ser tan paralelo a la veta como sea posible. El corte rápido de los discos y la configuración de arañazos tipo remolino que crean de vez en cuando prohíben generalmente su utilización para producir el acabado final.

Los arañazos y las marcas circulares suelen producirse como resultado de la utilización de un grano demasiado grueso. Cuando cambie a un grano más fino, lije cruzando las líneas de lijado que fueron hechas por un disco más grueso utilizado anteriormente.

### LIJADO DE METAL

Al lijado de automóviles o electrodomésticos, limpie el metal con un disolvente ininflamable o con un limpiador comercial para quitar toda la cera y la grasa. Al hacer esto primero, los discos de lijado trabajarán mejor y durarán más.

Para trabajo pesado, utilice primero un disco de grano grueso. Siga con un grano mediano para quitar los arañazos. Para producir un acabado liso, utilice un disco de grano fino.

## Operaciones de lijado

Los cepillos de alambre están diseñados para “limpiar” acero estructural, piezas fundidas, chapa metálica, piedra y concreto. Se utilizan para quitar herrumbre, costra y pintura.

**ADVERTENCIA** Evite que el cepillo de alambre rebote y se atasque, especialmente al trabajar en esquinas, bordes afilados, etc. Eso puede causar pérdida de control y retroceso.

**ADVERTENCIA** Tenga presente que el cepillo lanza cerdas de alambre incluso durante la operación ordinaria. No someta los alambres a una tensión excesiva al aplicar una carga excesiva al cepillo. Las cerdas de alambre pueden penetrar fácilmente en la ropa ligera y/o la piel.

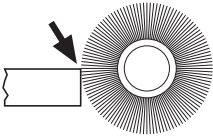
### PRESIÓN DE CEPILLADO

1. Recuerde que las puntas de un cepillo de alambre hacen el trabajo. Utilice el cepillo con la presión más ligera para que solamente las puntas del alambre entren en contacto con la pieza de trabajo.
2. Si se utilizan presiones más grandes, se someterá a los alambres a una tensión excesiva, lo cual dará como resultado una acción de barrido, y si se continúa haciendo esto, podrá acortarse la duración del cepillo debido a la fatiga del alambre.
3. Aplique el cepillo a la pieza de trabajo de manera que tanta cara del cepillo como sea posible esté en contacto completo con la pieza de trabajo. La aplicación del lado o del borde del cepillo a la pieza de trabajo causará la rotura del alambre y acortará la duración del cepillo.

### CEPILLO DE RUEDA DE ALAMBRE

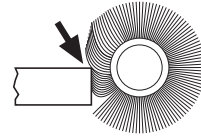
#### CORRECTO:

Las puntas de alambre hacen el trabajo.



#### INCORRECTO:

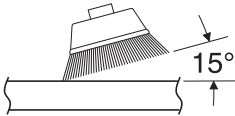
Una presión excesiva puede causar la rotura del alambre.



### CEPILLO ACOPADO DE ALAMBRE

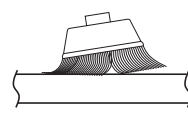
#### CORRECTO:

Las puntas de alambre hacen el trabajo.



#### INCORRECTO:

Una presión excesiva puede causar la rotura del alambre.



## Mantenimiento

### Servicio

**ADVERTENCIA** El mantenimiento preventivo realizado por personal no autorizado puede dar lugar a la colocación incorrecta de cables y componentes internos que podría constituir un peligro serio. Recomendamos que todo el servicio de las herramientas sea realizado por un Centro de servicio de fábrica Bosch o por una Estación de servicio Bosch autorizada.

### LUBRICACIÓN DE LAS HERRAMIENTAS

Su herramienta Bosch ha sido lubricada adecuadamente y está lista para la utilización. Se recomienda que las herramientas con engranajes se vuelvan a engrasar con un lubricante especial para engranajes en cada cambio de escobillas.

### ESCOBILLAS DE CARBONO

Las escobillas y el conmutador de la herramienta han sido diseñados para muchas horas de servicio confiable. Para mantener un rendimiento óptimo del motor, recomendamos que cada dos a seis meses se examinen las escobillas. Sólo se deben usar escobillas de repuesto Bosch genuinas diseñadas específicamente para su herramienta.

### RODAMIENTOS

Después de 300-400 horas de funcionamiento, o después de cada segundo cambio de escobillas, los rodamientos deben cambiarse en un Centro de servicio de fábrica Bosch o en una Estación de servicio Bosch autorizada. Los rodamientos que se vuelven ruidosos (debido a la pesada carga o al corte de materiales muy abrasivos) deben ser sustituidos inmediatamente para evitar el sobrecalentamiento o el fallo del motor.

### Limpieza

**ADVERTENCIA** Para evitar accidentes desconecte siempre la herramienta de la fuente de energía antes de la limpieza o de la realización de cualquier mantenimiento. La herramienta se puede limpiar más eficazmente con aire comprimido seco. Use gafas de seguridad siempre que limpie herramientas con aire comprimido.

Las aberturas de ventilación y las palancas de interruptor deben mantenerse limpias y libres de materias extrañas. No intente limpiar introduciendo objetos puntiagudos a través de las aberturas.

**PRECAUCION** Ciertos agentes de limpieza y solventes dañan las piezas de plástico. Algunos de estos son: gasolina, tetracloruro de carbono, solventes de limpieza clorados, amoníaco y detergentes domésticos que contienen amoníaco.

## Cordones de extensión

**ADVERTENCIA** Si es necesario un cordón de extensión, se debe usar un cordón con conductores de tamaño adecuado que sea capaz de transportar la corriente necesaria para la herramienta. Esto evitará caídas de tensión excesivas, pérdida de potencia o recalentamiento. Las herramientas conectadas a tierra deben usar cordones de extensión de 3 hilos que tengan enchufes de 3 terminales y receptáculos para 3 terminales.

**NOTA:** Cuanto más pequeño es el número de calibre, más grueso es el cordón.

### TAMAÑOS RECOMENDADOS DE CORDONES DE EXTENSION HERRAMIENTAS DE 120 V CORRIENTE ALTERNA

Capacidad nominal en amperes de la herramienta	Tamaño del cordón en A.W.G.				Tamaños del cable en mm <sup>2</sup>			
	Longitud del cordón en pies				Longitud del cordón en metros			
	25	50	100	150	15	30	60	120
3-6	18	16	16	14	0,75	0,75	1,5	2,5
6-8	18	16	14	12	0,75	1,0	2,5	4,0
8-10	18	16	14	12	0,75	1,0	2,5	4,0
10-12	16	16	14	12	1,0	2,5	4,0	—
12-16	14	12	—	—	—	—	—	—

## Accesorios

- \* Protector de la muela tipo 27
- \*\* Protector de la muela tipo 1A
- \* Tuerca de fijación
- \* Rueda de amolar
- \* Pestaña de soporte

- \* Mango lateral
- \* Llave de tuercas de fijación

(\* = equipo estándar)  
(\*\* = accesorios opcionales)

**NOTA:** No se recomienda para utilizarse con ruedas acopadas tipo 11.



**Notes:**  
**Remarques :**  
**Notas:**







**Notes:**  
**Remarques :**  
**Notas:**





### LIMITED WARRANTY OF BOSCH PORTABLE AND BENCHTOP POWER TOOLS

Robert Bosch Tool Corporation ("Seller") warrants to the original purchaser only, that all BOSCH portable and benchtop power tools will be free from defects in material or workmanship for a period of one year from date of purchase. SELLER'S SOLE OBLIGATION AND YOUR EXCLUSIVE REMEDY under this Limited Warranty and, to the extent permitted by law, any warranty or condition implied by law, shall be the repair or replacement of parts, without charge, which are defective in material or workmanship and which have not been misused, carelessly handled, or misrepaired by persons other than Seller or Authorized Service Station. To make a claim under this Limited Warranty, you must return the complete portable or benchtop power tool product, transportation prepaid, to any BOSCH Factory Service Center or Authorized Service Station. For Authorized BOSCH Power Tool Service Stations, please refer to your phone directory.

THIS LIMITED WARRANTY DOES NOT APPLY TO ACCESSORY ITEMS SUCH AS CIRCULAR SAW BLADES, DRILL BITS, ROUTER BITS, JIGSAW BLADES, SANDING BELTS, GRINDING WHEELS AND OTHER RELATED ITEMS.

ANY IMPLIED WARRANTIES SHALL BE LIMITED IN DURATION TO ONE YEAR FROM DATE OF PURCHASE. SOME STATES IN THE U.S., SOME CANADIAN PROVINCES DO NOT ALLOW LIMITATIONS ON HOW LONG AN IMPLIED WARRANTY LASTS, SO THE ABOVE LIMITATION MAY NOT APPLY TO YOU.

IN NO EVENT SHALL SELLER BE LIABLE FOR ANY INCIDENTAL OR CONSEQUENTIAL DAMAGES (INCLUDING BUT NOT LIMITED TO LIABILITY FOR LOSS OF PROFITS) ARISING FROM THE SALE OR USE OF THIS PRODUCT. SOME STATES IN THE U.S. AND SOME CANADIAN PROVINCES DO NOT ALLOW THE EXCLUSION OR LIMITATION OF INCIDENTAL OR CONSEQUENTIAL DAMAGES, SO THE ABOVE LIMITATION OR EXCLUSION MAY NOT APPLY TO YOU.

THIS LIMITED WARRANTY GIVES YOU SPECIFIC LEGAL RIGHTS, AND YOU MAY ALSO HAVE OTHER RIGHTS WHICH VARY FROM STATE TO STATE IN THE U.S., PROVINCE TO PROVINCE IN CANADA AND FROM COUNTRY TO COUNTRY.

THIS LIMITED WARRANTY APPLIES ONLY TO PORTABLE AND BENCHTOP ELECTRIC TOOLS SOLD WITHIN THE UNITED STATES OF AMERICA, CANADA AND THE COMMONWEALTH OF PUERTO RICO. FOR WARRANTY COVERAGE WITHIN OTHER COUNTRIES, CONTACT YOUR LOCAL BOSCH DEALER OR IMPORTER.

### GARANTIE LIMITÉE DES OUTILS ÉLECTRIQUES PORTATIFS ET D'ÉTABLI BOSCH

Robert Bosch Tool Corporation (le « vendeur ») garantit à l'acheteur initial seulement que tous les outils électriques portatifs et d'établi BOSCH seront exempts de vices de matériaux ou d'exécution pendant une période d'un an depuis la date d'achat. LA SEULE OBLIGATION DU VENDEUR ET LE SEUL RECOURS DE L'ACHETEUR sous la présente garantie limitée, et en autant que la loi le permette sous toute garantie ou condition implicite qui en découlerait, sera l'obligation de remplacer ou réparer gratuitement les pièces défectueuses matériellement ou comme fabrication, pourvu que lesdites défectosités ne soient pas attribuables à un usage abusif ou à quelque réparation bricolée par quelqu'un d'autre que le vendeur ou le personnel d'une station-service agréée. Pour présenter une réclamation en vertu de cette garantie limitée, vous devez renvoyer l'outil électrique portatif ou d'établi complet, port payé, à tout centre de service agréé ou centre de service usine. Veuillez consulter votre annuaire téléphonique pour les adresses.

LA PRÉSENTE GARANTIE NE S'APPLIQUE PAS AUX ACCESSOIRES TELS QUE LAMES DE SCIES CIRCULAIRES, MÊCHES DE PERCEUSES, FERS DE TOUPIES, LAMES DE SCIES SAUTEUSES, COURROIS DE PONÇAGE, MEULES ET AUTRES ARTICLES DU GENRE.

TOUTE GARANTIE IMPLICITE SERA LIMITÉE COMME DURÉE À UN AN À COMPTER DE LA DATE D'ACHAT. CERTAINS ÉTATS AMÉRICAINS, CERTAINES PROVINCES CANADIENNES N'ADMETTANT PAS LE PRINCIPE DE LA LIMITATION DE LA DURÉE DES GARANTIES IMPLICITES, IL EST POSSIBLE QUE LES LIMITATIONS CI-DESSUS NE S'APPLIQUENT PAS À VOTRE CAS.

EN AUCUN CAS LE VENDEUR NE SAURAIT ÊTRE TENU POUR RESPONSABLE DES INCIDENTS OU DOMMAGES INDIRECTS (INCLUANT, MAIS NE SE LIMITANT PAS AUX PERTES DE PROFITS) CONSÉCUTIFS À LA VENTE OU L'USAGE DE CE PRODUIT. CERTAINS ÉTATS AMÉRICAINS ET CERTAINES PROVINCES CANADIENNES N'ADMETTANT PAS LE PRINCIPE DE LA LIMITATION NI L'EXCLUSION DES DOMMAGES INDIRECTS ET CONSÉQUENTIELS, IL EST POSSIBLE QUE LES LIMITATIONS OU EXCLUSIONS CI-DESSUS NE S'APPLIQUENT PAS À VOTRE CAS.

LA PRÉSENTE GARANTIE VOUS ACCORDE DES DROITS BIEN DÉTERMINÉS, Y COMPRIS POSSIBLEMENT CERTAINS DROITS VARIABLES DANS LES DIFFÉRENTS ÉTATS AMÉRICAINS, PROVINCES CANADIENNES ET DE PAYS À PAYS.

CETTE GARANTIE LIMITÉE NE S'APPLIQUE QU'ÀUX OUTILS ÉLECTRIQUES PORTATIFS ET D'ÉTABLI VENDUS AUX ÉTATS-UNIS D'AMÉRIQUE, AU CANADA ET AU COMMONWEALTH DE PORTO RICO. POUR COUVERTURE DE GARANTIE DANS LES AUTRES PAYS, CONTACTEZ VOTRE IMPORTATEUR OU REVENDEUR BOSCH LOCAL.

### GARANTIA LIMITADA PARA HERRAMIENTAS MECANICAS PORTATILES Y PARA TABLERO DE BANCO BOSCH

Robert Bosch Tool Corporation ("el Vendedor") garantiza, únicamente al comprador original, que todas las herramientas mecánicas portátiles y para tablero de banco BOSCH estarán libres de defectos de material o de fabricación durante un período de un año a partir de la fecha de compra. LA ÚNICA OBLIGACION DEL VENDEADOR Y EL RECURSO EXCLUSIVO QUE USTED TIENE bajo esta Garantía Limitada y, hasta donde la ley lo permita, bajo cualquier garantía o condición implícita por ley, consistirá en la reparación o sustitución sin costo de las piezas que presenten defectos de material o de fabricación y que no hayan sido utilizadas incorrectamente, manejadas descuidadamente o reparadas incorrectamente por personas que no sean el Vendedor o una Estación de servicio autorizada. Para efectuar una reclamación bajo esta Garantía Limitada, usted debe devolver el producto, que consiste en la herramienta mecánica portátil o para tablero de banco completa, con el transporte pagado, a cualquier Centro de servicio de fábrica o Estación de servicio autorizada. Para Estaciones de servicio autorizadas de herramientas mecánicas BOSCH, por favor, consulte el directorio telefónico.

ESTA GARANTIA LIMITADA NO SE APLICA A ARTICULOS ACCESORIOS TALES COMO HOJAS PARA SIERRAS CIRCULARES, BROCAS PARA TALADROS, BROCAS PARA FRESADORAS, HOJAS PARA SIERRAS DE VAIVEN, CORREAS PARA LIJAR, RUEDAS DE AMOLAR Y OTROS ARTICULOS RELACIONADOS.

TODAS LAS GARANTIAS IMPLICITAS TENDRAN UNA DURACION LIMITADA A UN AÑO A PARTIR DE LA FECHA DE COMPRA. ALGUNOS ESTADOS DE LOS EE.UU. Y ALGUNAS PROVINCIAS CANADIENSES NO PERMITEN LIMITACIONES EN CUANTO A LA DURACION DE UNA GARANTIA IMPLICITA, POR LO QUE ES POSIBLE QUE LA LIMITACION ANTERIOR NO SEA APLICABLE EN EL CASO DE USTED.

EL VENDEADOR NO SERA RESPONSABLE EN NINGUN CASO DE NINGUN DAÑO INCIDENTAL O EMERGENTE (INCLUYENDO PERO NO LIMITADO A RESPONSABILIDAD POR PERDIDA DE BENEFICIOS) QUE SE PRODUZCA COMO CONSECUENCIA DE LA VENTA O UTILIZACION DE ESTE PRODUCTO. ALGUNOS ESTADOS DE LOS EE.UU. Y ALGUNAS PROVINCIAS CANADIENSES NO PERMITEN LA EXCLUSION O LIMITACION DE LOS DAÑOS INCIDENTALES O EMERGENTES, POR LO QUE ES POSIBLE QUE LA LIMITACION O EXCLUSION ANTERIOR NO SEA APLICABLE EN EL CASO DE USTED.

ESTA GARANTIA LIMITADA LE CONFIERE A USTED DERECHOS LEGALES ESPECIFICOS Y ES POSIBLE QUE USTED TAMBIEN TENGA OTROS DERECHOS QUE VARIAN DE ESTADO A ESTADO EN LOS EE.UU., DE PROVINCIA A PROVINCIA EN CANADA Y DE UN PAIS A OTRO.

ESTA GARANTIA LIMITADA SE APLICA SOLAMENTE A HERRAMIENTAS ELECTRICAS PORTATILES Y PARA TABLERO DE BANCO VENDIDAS EN LOS ESTADOS UNIDOS DE AMERICA, CANADA Y EL ESTADO LIBRE ASOCIADO DE PUERTO RICO. PARA COBERTURA DE GARANTIA EN OTROS PAISES, PONGASE EN CONTACTO CON SU DISTRIBUIDOR O IMPORTADOR LOCAL DE BOSCH.

© Robert Bosch Tool Corporation 1800 W. Central Road Mt. Prospect, IL 60056-2230

Exportado por: Robert Bosch Tool Corporation Mt. Prospect, IL 60056-2230, E.U.A.

Importado a México por: Robert Bosch, S.A. de C.V., Calle Robert Bosch No. 405, Zona Industrial, Toluca, Edo. de México, C.P. 50070, Tel. (722) 2792300

1 609 929 Y07 10/10



1 6 0 9 9 2 9 Y 0 7

## Free Manuals Download Website

<http://myh66.com>

<http://usermanuals.us>

<http://www.somanuals.com>

<http://www.4manuals.cc>

<http://www.manual-lib.com>

<http://www.404manual.com>

<http://www.luxmanual.com>

<http://aubethermostatmanual.com>

Golf course search by state

<http://golfingnear.com>

Email search by domain

<http://emailbydomain.com>

Auto manuals search

<http://auto.somanuals.com>

TV manuals search

<http://tv.somanuals.com>