

**IMPORTANT:**  
Read Before Using

**IMPORTANT :**  
Lire avant usage

**IMPORTANTE:**  
Leer antes de usar



**Operating/Safety Instructions**  
**Consignes de fonctionnement/sécurité**  
**Instrucciones de funcionamiento y seguridad**

**GPL 2**



**BOSCH**

**Call Toll Free for  
Consumer Information  
& Service Locations**

**Pour obtenir des informations  
et les adresses de nos centres  
de service après-vente, appelez  
ce numéro gratuit**

**Llame gratis para  
obtener información  
para el consumidor y  
ubicaciones de servicio**

**1-877-BOSCH99 (1-877-267-2499) [www.boschtools.com](http://www.boschtools.com)**

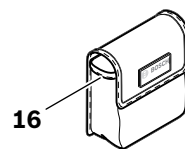
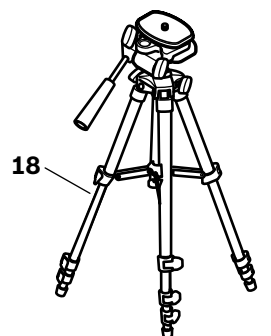
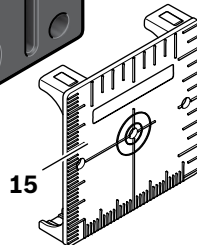
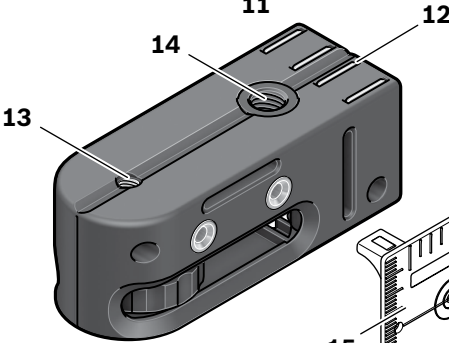
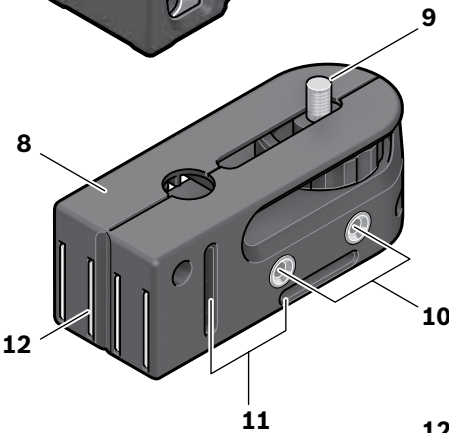
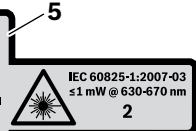
**For English Version  
See page 3**

**Version française  
Voir page 12**

**Versión en español  
Ver la página 21**



Laser Radiation. Do not stare into the beam. Class 2 Laser product. Complies with 21 CFR 1040.10 and 1040.11 except for deviations pursuant to Laser Notice 50, 6/24/2007  
Radiación Láser. No mire al rayo. Producto Láser de clase 2. Cumple con las normas 21 CFR 1040.10 y 1040.11 excepto por las desviaciones conforme al Aviso para Láseres 50 del 24 de junio de 2007  
Rayonnement Laser. Ne regardez pas directement dans le faisceau. Produit Laser de Classe 2. Conforme à 21 CFR 1040.10 et 1040.11, sauf pour les écarts suivant Avis Laser 50, 24/6/2007



## General Safety Rules



**Read all instructions. Failure to follow all instructions listed**

**below may result in hazardous radiation exposure, electric shock, fire and/or serious injury.** The term “tool” in all of the warnings listed below refers to your mains-operated (corded) tool or battery-operated (cordless) tool.

**The following labels are on your laser tool for your convenience and safety. They indicate where the laser light is emitted by the tool. ALWAYS BE AWARE of their location when using the tool.**

Laser Radiation. Do not stare into the beam. Class 2 Laser product. Complies with 21 CFR 1040.10 and 1040.11 except for deviations pursuant to Laser Notice 50, 6/24/2007  
Radiación Láser. No mire al rayo. Producto láser de Clase 2. Cumple con las normas 21 CFR 1040.10 y 1040.11, excepto por las desviaciones conforme al Aviso para láseres 50 del 24 de junio de 2007  
Rayonnement laser. Ne regardez pas directement dans le faisceau. Produit laser de Classe 2. Conforme à 21 CFR 1040.10 et 1040.11, sauf pour les écarts suivant l'Avis laser 50, 24/6/2007



**IEC 60825-1:2007-03  
≤1 mW @ 630-670 nm  
2**



**Do not direct the laser beam at persons or animals and do not stare into the laser beam yourself. This tool produces laser class 2 laser radiation and complies with 21 CFR 1040.10 and 1040.11 except for deviations pursuant to Laser Notice No. 50, dated June 24, 2007. This can lead to persons being blinded.**

**DO NOT remove or deface any warning or caution labels.** Removing labels increases the risk of exposure to laser radiation.



**Use of controls or adjustments or performance of procedures other than those specified in this manual, may result in hazardous radiation exposure.**

**ALWAYS make sure that any bystanders in the vicinity of use are made aware of the dangers of looking directly into the laser tool.**

**DO NOT place the laser tool in a position that may cause anyone to stare into the laser beam intentionally or unintentionally.** Serious eye injury could result.

**ALWAYS position the laser tool securely.** Damage to the laser tool and/or serious injury to the user could result if the laser tool fails.

**ALWAYS use only the accessories that are recommended by the manufacturer of your laser tool.** Use of accessories that have been designed for use with other laser tools could result in serious injury.

**DO NOT use this laser tool for any purpose other than those outlined in this manual.** This could result in serious injury.

**DO NOT leave the laser tool “ON” unattended in any operating mode.**

**DO NOT disassemble the laser tool.** There are no user serviceable parts inside. Do not modify the product in any way. Modifying the laser tool may result in hazardous laser radiation exposure.

**DO NOT use the laser viewing glasses as safety goggles.** The laser viewing glasses are used for improved visualization of the laser beam, but they do not protect against laser radiation.

**DO NOT use the laser viewing glasses as sun glasses or in traffic.** The laser viewing glasses do not afford complete UV protection and reduce color perception.

**DO NOT use any optical tools such as, but not limited to, telescopes or transits to view the laser beam.** Serious eye injury could result.

**DO NOT stare directly at the laser beam or project the laser beam directly into the eyes of others.** Serious eye injury could result.

**SAVE THESE INSTRUCTIONS**

### FCC Statement

This device complies with part 15 of the FCC Rules. Operation is subject to the following two conditions: (1) This device may not cause harmful interference, and (2) this device must accept any interference received, including interference that may cause undesired operation.



**Changes or modifications to this unit not expressly approved by the party responsible for compliance could void the user's authority to operate the equipment.**

**Note:** This equipment has been tested and found to comply with the limits for a Class B digital device, pursuant to part 15 of the FCC Rules. These limits are designed to provide reasonable protection against harmful interference in a residential installation. This equipment generates, uses and can radiate radio frequency energy and, if not installed and used in accordance with the instructions, may cause harmful interference to radio communications. However, there is no guarantee that interference will not occur in a particular installation. If this equipment does cause harmful interference to radio or television reception, which can be determined by turning the equipment off and on, the user is encouraged to try to correct the interference by one or more of the following measures:

- Reorient or relocate the receiving antenna.
- Increase the separation between the equipment and receiver.
- Connect the equipment into an outlet on a circuit different from that to which the receiver is connected.
- Consult the dealer or an experienced radio/TV technician for help.

### Work area safety

**Keep work area clean and well lit.** Cluttered or dark areas invite accidents.

**DO NOT operate the laser tool around children or allow children to operate the laser tool.** Serious eye injury could result.

### Electrical safety

**Batteries can explode or leak, cause injury or fire.** To reduce this risk, always follow all instructions and warnings on the battery label and package.

**DO NOT short any battery terminals.**

**DO NOT charge alkaline batteries.**

**DO NOT mix old and new batteries.**

**Replace all of them at the same time with new batteries of the same brand and type.**

**DO NOT mix battery chemistries.**

**Dispose of or recycle batteries per local code.**

**DO NOT dispose of batteries in fire.**

**Keep batteries out of reach of children.**

**Remove batteries if the device will not be used for several months.**

### Personal safety

**Stay alert, watch what you are doing and use common sense when operating a tool.** Do not use a tool while you are tired or under the influence of drugs, alcohol or medication. A moment of inattention while operating a tool may result in serious personal injury or incorrect measurement results.

**Use safety equipment. Always wear eye protection.** Safety equipment such as dust mask, non-skid safety shoes, hard hat, or hearing protection used for appropriate conditions will reduce personal injuries.

### Multiple-Purpose Attachment



**Keep the multiple-purpose attachment 8 away from cardiac pacemakers.** The magnets **12** generate a field that can impair the function of cardiac pacemakers.

- **Keep the multiple-purpose attachment 8 away from magnetic data medium and magnetically-sensitive equipment.** The effect of the magnets **12** can lead to irreversible data loss.

### Use and care

**Use the correct tool for your application.** The correct tool will do the job better and safer.

**Do not use the tool if the switch does not turn it on and off.** Any tool that cannot be controlled with the switch is dangerous and must be repaired.

**Store idle tool out of the reach of children and do not allow persons unfamiliar with the tool or these instructions to operate the tool.** Tools are dangerous in the hands of untrained users.

**Maintain tools. Check for misalignment or binding of moving parts, breakage of parts and any other condition that may affect the operation. If damaged, tool must be repaired by the authorized Bosch service center before further use.** Many accidents are caused by poorly maintained tools.

**Use the tool, accessories, etc., in accordance with these instructions and in the manner intended for the particular type of tool, taking into account the working conditions and the work to be performed.**

Use of the tool for operations different from those intended could result in a hazardous situation.

**Develop a periodic maintenance schedule for tool. When cleaning a tool be careful not to disassemble any portion of the tool since internal wires may be misplaced or pinched or may be improperly mounted.** Certain cleaning agents such as gasoline, carbon tetrachloride, ammonia, etc. may damage plastic parts.

## Service

**Have your tool serviced by a qualified repair person using only identical replacement parts.** This will ensure that the safety of the tool is maintained.


## Intended Use

This tool is intended for accurate transfer of plumb point from floor to ceiling.


## Preparation

### Inserting/Replacing the Battery

**Alkaline batteries are recommended for the tool.**

To open the battery compartment **3**, turn the latch **2** in clockwise direction to position  and pull off the battery lid. Insert the batteries provided.

When inserting, pay attention to the correct polarity according to the representation on the inside of the battery compartment.

Position the battery lid to the bottom of the housing and then push it upward. To lock the battery lid, turn the latch **2** in counterclockwise direction to the  position.

When the laser beams flash slowly during operation, the batteries are low. When the flashing begins, the tool can be operated for approx. 8 h.

Always replace all batteries at the same time. Only use batteries from one brand and with the identical capacity.

**⚠ WARNING** **Remove the batteries from the tool when not using it for extended periods.** When storing for extended periods, the batteries can corrode and discharge themselves.

## Features

The numbering of the product features shown refers to the illustration of the tool on the graphic page.

- |   |   |
|---|---|
| <b>1</b> Exit opening for laser beam                | <b>11</b> Opening for strap attachment                  |
| <b>2</b> Latch of battery lid                       | <b>12</b> Magnets                                       |
| <b>3</b> Battery lid                                | <b>13</b> 1/4" tripod mount on Multi-Purpose Attachment |
| <b>4</b> On/Off switch                              | <b>14</b> 5/8" tripod mount on Multi-Purpose Attachment |
| <b>5</b> Laser warning label                        | <b>15</b> Laser Target*                                 |
| <b>6</b> Tripod mount 1/4"                          | <b>16</b> Belt Pouch*                                   |
| <b>7</b> Serial number                              | <b>17</b> Laser viewing glasses*                        |
| <b>8</b> Multiple-Purpose Attachment                | <b>18</b> Tripod*                                       |
| <b>9</b> Locking screw for Multi-Purpose Attachment |   |
| <b>10</b> Screw holes of Multi-Purpose Attachment   |   |

\*The accessories illustrated or described are not included as standard delivery.

## Technical Data

Working range (typical) . . . . . 100 ft (30m)  
Leveling Accuracy  
Minimum Factory  
Accuracy . . . . . up to 1/8-in at 30 ft  
(up to 3 mm/10 m)  
Typical Accuracy . . . . . up to 1/16-in at 30 ft  
(up to 2 mm/10 m)  
Self-leveling range (typical) alongside the:  
– lateral axis. . . . .  $\pm 3^\circ$   
Leveling duration, typically . . . . .  $< 3s$   
Operating temperature. . . . . 14 °F... 104 °F  
(–10 °C ... +40 °C)  
Storage temperature . . . . . –4 °F... 158 °F  
(–20 °C ... +70 °C)  
Relative air humidity, max.. . . . . 90 %

Laser class . . . . . 2  
Laser type . . . . . 635 nm, <1 mW  
Tripod mount . . . . . 1/4-20  
Batteries . . . . . 3 x 1.5 V LR6 (AA)  
Operating lifetime, approx.. . . . . 24 h  
Weight . . . . . 0.5lb (0.25kg)  
Dimensions. . . . . 4-1/8" x 3-1/8" x 1-5/8"  
(105 x 80 x 42 mm)

Please observe the article number on the type plate of your tool. The trade names of the individual tools may vary.

The tool can be clearly identified with the serial number **7** on the type plate.

## Operation

### Initial Operation

**⚠ WARNING** Protect the tool against moisture and direct sun irradiation.

**Do not subject the tool to extreme temperatures or variations in temperature.**

As an example, do not leave it in vehicles for longer periods. In case of large variations in temperature, allow the tool to adjust to the ambient temperature before putting it into operation. In case of extreme temperatures or variations in temperature, the accuracy of the tool can be impaired.

**Avoid heavy impact or falling of the tool.**

After heavy exterior impact on the tool, an accuracy check should always be carried out before continuing to work (see "Leveling Accuracy"). Do not use the tool when the laser emitting cover has been damaged after heavy exterior impact on the tool. Many accidents are caused by poorly maintained tools.

**Switch the tool off during transport.** When switching off, the leveling unit, which can be damaged in case of intense movement, is locked.

### Switching On and Off

To **switch on** the tool, slide the On/Off switch **4** upward so that "**1**" is indicated on the switch. Immediately after switching on, the tool sends a laser beam out of each exit opening **1**.

**Do not point the laser beam at persons or animals and do not look into the laser beam**

**yourself, not even from a large distance.**

To **switch off** the tool, push the On/Off switch **4** downward so that "**0**" is indicated on the switch. When switching off, the leveling unit is locked.

### Setting the Automatic Switch-off

By default, the tool automatically shuts off 20 minutes after being switched on. The automatic switch-off can be set from 20 minutes to 8 hours. For this, switch the tool on, then immediately off, and then on again within 4 s. To confirm the change, all laser beams will flash quickly for 2 s after switching on the second time.

**Do not leave the switched on tool unattended and switch the tool off after use.** Other persons could be blinded by the laser beam. When switching on the tool the next time, the automatic switch-off is set to 20 minutes again.

### Working with Automatic Leveling

Position the tool on a level and firm support, attach it to the holder **8** or to the tripod **18**.

After switching on, the automatic leveling function automatically compensates irregularities within the self-leveling range from  $\pm 5^\circ$  (longitudinal axis) and  $\pm 3^\circ$  (lateral axis). The leveling is finished as soon as the laser points do not move any more.

If the automatic leveling function is not possible, e.g. because the surface on which the tool stands deviates by more than  $5^\circ$  (or  $3^\circ$  from the horizontal plane) the laser beams flash rapidly.

In this case, bring the tool to the level position and wait for the self-leveling to take place. As soon as the tool is within the self-leveling range of  $\pm 5^\circ$  or  $\pm 3^\circ$  respectively, all laser beams light up continuously again.

In case of ground vibrations or position changes during operation, the tool is automatically leveled in again. To avoid errors by moving the tool, check the position of the laser beams with regard to the reference points upon re-leveling.

## Working Advice

**Always use the center of the laser point for marking.** The size of the laser point changes with the distance.

## Leveling Accuracy

### Influences on Accuracy

The ambient temperature has the greatest influence. Especially temperature differences occurring from the ground upward can divert the laser beam.

As thermal fluctuation is largest close to the ground, the tool, if possible, should be mounted on a commercially available tripod and placed in the center of the working area.

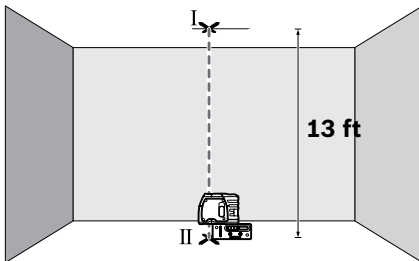
Apart from exterior influences, device-specific influences (such as heavy impact or falling down) can lead to deviations. Therefore, check the accuracy of the tool each time before starting your work.

Should the tool exceed the maximum deviation during one of the tests, see recalibration procedure or have it recalibrated by a Bosch after-sales service center.

### Checking the Vertical Leveling Accuracy

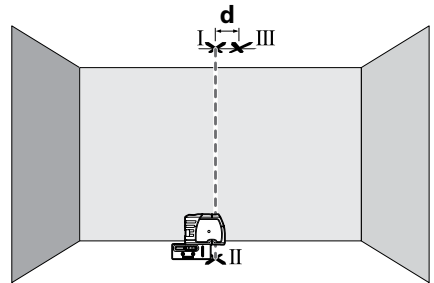
For this check, a free measuring distance of approx. 13 ft between floor and ceiling on a firm surface is required.

- Draw a straight line on the ceiling.
- Mount the tool to the holder or a tripod.
- Switch the tool on and rotate it in such a manner that the bottom plumb beam can be seen on the floor.



- Position the tool in such a manner that the upper plumb beam points against the line on the ceiling. Allow the tool to level in.

Mark the center of the upper laser point on the line on the ceiling (point I). Also, mark the center of the laser point on the floor (point II).



- Rotate the tool by  $180^\circ$ . Position it in such a manner that the center of the bottom laser point is directed on the already marked point II and the upper laser point is directed against the line on the ceiling. Allow the tool to level in. Mark the center of the upper laser point on the line on the ceiling (point III).
- The difference  $d$  of both marked points I and III on the ceiling results in the actual deviation of the tool to the plumb line.

On the measuring distance of  $2 \times 13 \text{ ft} = 26 \text{ ft}$ , the maximum allowable deviation is:

$$26 \text{ ft} \times \pm 0.0036 \text{ in/ft} = \pm 3/16 \text{ in.}$$

Thus, the difference  $d$  between points I and III should not exceed  $3/16 \text{ in}$  (max.).

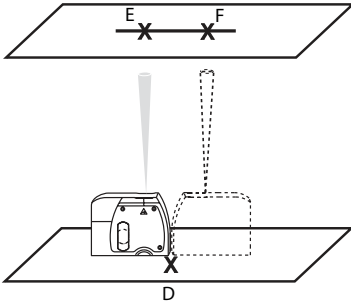
### Recalibration Procedure (Up & Down Beams)

All tools are calibrated when processed through the Bosch quality control program. This process assures that the customer receives a superior product which conforms to the Product Specifications. Although tools have been calibrated before reaching our customers, it contains many precision machined parts which may be affected if the instrument is subjected to abuse. Therefore, if the device is ever dropped

or sustains significant impact, the user should check calibration by following these steps:

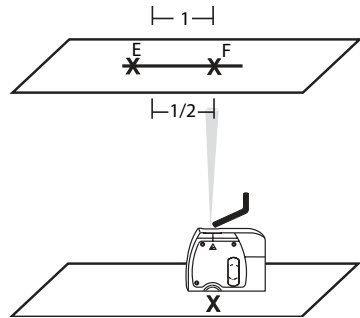
### Calibrating the Top and Bottom Beams

1. Choose your recalibration site. To get the most accurate calibration possible, it is best to use a floor/ceiling distance greater than 10' (the greater distance, the better the accuracy). Floor/Ceiling (top of doorway) distance of approximately 10'.



2. Turn the tool off.
3. Remove the calibration plug on the side of tool with a flathead screw-driver. Set the plug where it will not be lost.
4. Draw a straight line on the ceiling.
5. Turn the tool on.
6. Place the tool on the floor (on its accessory so that you can see the down laser beam on the floor).
7. Align the tool so that the top laser beam hits the line on the ceiling.
8. Mark the down laser beam on the floor, Mark D. Mark the up laser beam on the ceiling, Mark E.

9. Rotate the tool 180 degrees and align the down beam with the mark on the floor.



10. Mark the up beam on the ceiling, Mark F. You should have two marks on the ceiling.
11. Compare the two marks on the ceiling. If the two marks are on the same point, the unit does not need to be calibrated. If the two marks are not on the same point, proceed to step 12.
12. Turn the tool off.
13. Insert the 2mm Allen wrench into the side calibration port. The objective is to get the laser beam halfway between the two marks on the ceiling. Turn the Allen wrench clockwise or counter clockwise to move the laser beam.
14. Turn the tool on and check the position of the beam to see if it is exactly halfway between the marks on the ceiling. If the beam is not correctly positioned, repeat steps 12-14 until the beam is at the correct position.
15. Plug the side calibration plug on the tool.
16. Calibration is complete.



## Applications

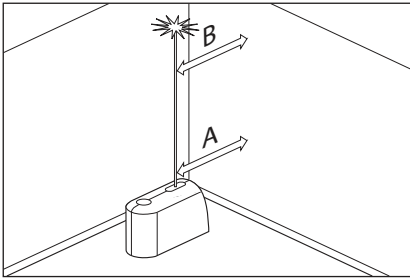
### Plumbing a surface

1. Position tool close to the surface to be plumbed.
2. Turn on tool.
3. Measure distance A at a point relatively close to tool and make a note of the distance.
4. Measure distance B at a point further away from tool and make a note of the distance.

Note: The greater the distance between the two points of measurement, the greater the accuracy.

5. Compare distance A with distance B. If distance A equals distance B, then the surface is plumb. If distance A does not equal distance B, then the surface is not plumb and should be corrected.

### Plumb

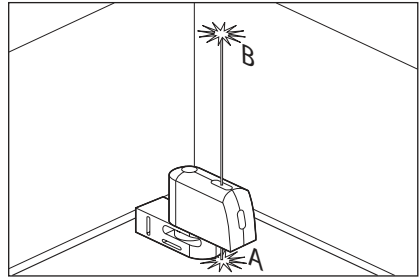


### Transferring points with the plumb beam

1. Mark the point to be transferred (labeled A in this illustration).
2. Use the Mounting accessory or a Tripod to position the plumb down beam over point A.
3. The plumb up beam will transfer this point along a perfectly vertical axis to point B.
4. Mark point B.

Note: This process may be reversed.

### Plumb Transfer



## Use with Attachments

To fasten the tool on the Multiple-Purpose Attachment **8**, screw the locking screw **9** of the Multiple-Purpose Attachment into the 1/4" tripod mount **6** on the tool and tighten. To rotate the tool on the Multiple-Purpose Attachment, slightly loosen the screw **9**.

- Rotate the tool on the Multiple-Purpose Attachment **8** sideward or toward the rear to make the bottom plumb beam visible.
- Rotate the tool on the Multiple-Purpose Attachment **8** to project heights with the horizontal laser beam.

With the Multiple-Purpose Attachment **8**, the tool can be attached as follows:

- Mount the Multiple-Purpose Attachment **8** to a commercially available camera tripod via the 1/4" tripod mount **13**. For fastening to a commercially available construction tripod, use the 5/8" tripod mount **14**.

- The Multiple-Purpose Attachment **8** can be fastened to steel parts via the magnets **12**.
- The Multiple-Purpose Attachment **8** can be fastened to drywall or wood walls with screws. For this, insert screws with a minimum length of 2 in. into the screw holes **10** of the Multiple-Purpose Attachment.
- The Multiple-Purpose Attachment **8** can also be fastened to pipes or similar beams using a commercially available strap by threading it through the opening **11** for strap attachment.

### Working with the Tripod (Optional Accessory)

A tripod **18** offers a stable, height-adjustable measuring support. Place the tool via the tripod mount **6** onto the 1/4" male thread of the tripod and screw the locking screw of the tripod tight.

### Working with the Measuring Plate (Optional Accessory)

With the measuring plate **15**, it is possible to project the laser mark onto the floor or the laser height onto a wall.

With the zero field and the scale, the offset or drop to the required height can be measured and projected at another location. This eliminates the necessity of precisely adjusting the tool to the height to be projected.

The measuring plate **15** has a reflective coating that enhances the visibility of the laser beam at greater distances or in intense sunlight. The brightness intensification can be seen only when viewing, parallel to the laser beam, onto the measuring plate.

### Laser Viewing Glasses (Optional Accessory)

The laser viewing glasses filter out the ambient light. This makes the red light of the laser appear brighter for the eyes.

- **Do not use the laser viewing glasses as safety goggles.** The laser viewing glasses are used for improved visualization of the laser beam, but they do not protect against laser radiation.
- **Do not use the laser viewing glasses as sun glasses or in traffic.** The laser viewing glasses do not afford complete UV protection and reduce color perception.

## Maintenance and Service

**Store and transport the tool only in the supplied protective case.**

**Keep the tool clean at all times.**

**Do not immerse the tool into water or other fluids.**

**Wipe off debris using a moist and soft cloth. Do not use any cleaning agents or solvents.**

Regularly clean the surfaces at the exit opening of the laser in particular, and pay attention to any fluff of fibers.

If the tool should fail despite the care taken in manufacturing and testing procedures, repair should be carried out by an authorized after-sales service center for Bosch power tools.

In all correspondence and spare parts orders, please always include the 10-digit article number given on the type plate of the tool.

In case of repairs, send in the tool packed in its protective case **16**.

### ENVIRONMENT PROTECTION

Recycle raw materials & batteries instead of disposing of waste. The unit, accessories, packaging & used batteries should be sorted for environmentally friendly recycling in accordance with the latest regulations.



## LIMITED WARRANTY OF BOSCH LASER AND MEASURING TOOL PRODUCTS

Robert Bosch Tool Corporation ("Seller") warrants to the original purchaser only, that all Bosch lasers and measuring tools will be free from defects in material or workmanship for a period of one (1) year from date of purchase. Bosch will extend warranty coverage to two (2) years when you register your product within eight (8) weeks after date of purchase. Product registration card must be complete and mailed to Bosch (postmarked within eight weeks after date of purchase), or you may register on-line at [www.boschtools.com/Service/ProductRegistration](http://www.boschtools.com/Service/ProductRegistration). If you choose not to register your product, a one (1) year limited warranty will apply to your product.

### **30 Day Money Back Refund or Replacement -**

If you are not completely satisfied with the performance of your laser and measuring tools, for any reason, you can return it to your Bosch dealer within 30 days of the date of purchase for a full refund or replacement. To obtain this 30-Day Refund or Replacement, your return must be accompanied by the original receipt for purchase of the laser or optical instrument product. A maximum of 2 returns per customer will be permitted.

SELLER'S SOLE OBLIGATION AND YOUR EXCLUSIVE REMEDY under this Limited Warranty and, to the extent permitted by law, any warranty or condition implied by law, shall be the repair or replacement of parts, without charge, which are defective in material or workmanship and which have not been misused, carelessly handled, or misrepaired by persons other than Seller or Authorized Service Center. To make a claim under this Limited Warranty, you must return the complete Bosch laser or measuring tool, transportation prepaid, to any BOSCH Factory Service Center or Authorized Service Center. Please include a dated proof of purchase with your tool. For locations of nearby service centers, please use our on-line service locator or call 1-877-267-2499.

THIS WARRANTY PROGRAM DOES NOT APPLY TO TRIPODS AND RODS. Robert Bosch Tool Corporation ("Seller") warrants tripods and leveling rods for a period of one (1) year from date of purchase.

THIS LIMITED WARRANTY DOES NOT APPLY TO OTHER ACCESSORY ITEMS AND RELATED ITEMS. THESE ITEMS RECEIVE A 90 DAY LIMITED WARRANTY.

To make a claim under this Limited Warranty, you must return the complete product, transportation prepaid. For details to make a claim under this Limited Warranty please visit [www.boschtools.com](http://www.boschtools.com) or call 1-877-267-2499.

ANY IMPLIED WARRANTIES SHALL BE LIMITED IN DURATION TO ONE YEAR FROM DATE OF PURCHASE. SOME STATES IN THE U.S., AND SOME CANADIAN PROVINCES DO NOT ALLOW LIMITATIONS ON HOW LONG AN IMPLIED WARRANTY LASTS, SO THE ABOVE LIMITATION MAY NOT APPLY TO YOU.

IN NO EVENT SHALL SELLER BE LIABLE FOR ANY INCIDENTAL OR CONSEQUENTIAL DAMAGES (INCLUDING BUT NOT LIMITED TO LIABILITY FOR LOSS OF PROFITS) ARISING FROM THE SALE OR USE OF THIS PRODUCT. SOME STATES IN THE U.S., AND SOME CANADIAN PROVINCES DO NOT ALLOW THE EXCLUSION OR LIMITATION OF INCIDENTAL OR CONSEQUENTIAL DAMAGES, SO THE ABOVE LIMITATION MAY NOT APPLY TO YOU.

THIS LIMITED WARRANTY GIVES YOU SPECIFIC LEGAL RIGHTS, AND YOU MAY ALSO HAVE OTHER RIGHTS WHICH VARY FROM STATE TO STATE IN THE U.S., OR PROVINCE TO PROVINCE IN CANADA AND FROM COUNTRY TO COUNTRY.

THIS LIMITED WARRANTY APPLIES ONLY TO PRODUCTS SOLD WITHIN THE UNITED STATES OF AMERICA, CANADA AND THE COMMONWEALTH OF PUERTO RICO. FOR WARRANTY COVERAGE WITHIN OTHER COUNTRIES, CONTACT YOUR LOCAL BOSCH DEALER OR IMPORTER.

# Consignes générales de sécurité

## ⚠ AVERTISSEMENT

Lisez toutes les instructions.

Le non-respect de toutes les instructions figurant ci-dessous risquerait de causer une exposition dangereuse aux rayonnements, un choc électrique, un incendie et/ou des blessures graves.

## CONSERVEZ TOUS LES AVERTISSEMENTS ET TOUTES LES CONSIGNES DE SÉCURITÉ POUR RÉFÉRENCE FUTURE.

L'expression « instrument de topologies » dans tous les avertissements figurant plus bas fait référence à votre instrument de mesure, de détection et de tracé de topologies branché sur le secteur (avec cordon) ou à votre instrument de mesure, de détection et de tracé de topologies à piles (sans fil).

Les étiquettes suivantes sont apposées sur votre instrument laser pour votre commodité et votre sécurité. Elles indiquent où la lumière laser est émise par le instrument. IL FAUT TOUJOURS CONNAÎTRE sa position lors de l'utilisation du instrument. Utilisez l'outil correct pour votre application.



Ne dirigez pas le faisceau laser en direction de personnes ou d'animaux, et ne regardez pas directement le faisceau laser vous-même. Cet instrument produit des rayonnements laser de classe 2 et est conforme aux normes 21 CFR 1040.10 et 1040.11, à l'exception des déviations en vertu de l'Avis relatif au laser N° 50 daté du 24 juin 2007. Ceci risquerait de causer l'aveuglement des personnes affectées.

## ⚠ MISE EN GARDE

NE RETIREZ PAS et n'effacez pas des

étiquettes d'avertissement ou de mise en garde. Le retrait de telles étiquettes augmente le risque d'exposition aux rayonnements laser. L'emploi de commandes ou de réglages autres que ceux qui sont indiqués dans ce mode d'emploi risquerait de causer une exposition dangereuse aux rayonnements.

**ASSUREZ-VOUS TOUJOURS** que les personnes présentes aux environs de l'endroit où vous employez cet instrument sont au courant des dangers résultant de l'observation directe du faisceau laser.

**NE PLACEZ PAS** l'instrument dans une position telle que cela permettrait à quiconque de regarder directement le faisceau laser intentionnellement ou non. Ceci risquerait de causer des blessures graves aux yeux.

**POSITIONNEZ TOUJOURS** l'instrument de façon qu'il soit stable. La chute de l'instrument risquerait d'endommager ce dernier et/ou de causer des blessures graves à son utilisateur.

**N'UTILISEZ TOUJOURS** que les accessoires qui sont recommandés par le fabricant de votre instrument. L'emploi d'accessoires qui ont été conçus pour emploi avec d'autres outils risquerait de causer des blessures graves.

**N'UTILISEZ PAS** cet instrument dans un but autre que ceux qui sont indiqués dans ce mode d'emploi. Ceci risquerait de causer des blessures graves.

## Déclaration de la FCC

Cet appareil est conforme à la partie 15 des Règlements de la FCC. Son utilisation est autorisée moyennant le respect des deux conditions suivantes : (1) Cet appareil ne doit pas causer d'interférences nuisibles et (2) cet appareil doit accepter toute interférence reçue, y compris les interférences qui risquent de causer un fonctionnement indésirable.

Laser Radiation. Do not stare into the beam. Class 2 Laser product. Complies with 21 CFR 1040.10 and 1040.11 except for deviations pursuant to Laser Notice 50, 6/24/2007

Radiación Láser. No mire al rayo. Producto láser de Clase 2. Cumple con las normas 21 CFR 1040.10 y 1040.11, excepto por las desviaciones conforme al Aviso para láseres 50 del 24 de junio de 2007

Rayonnement laser. Ne regardez pas directement dans le faisceau. Produit laser de Classe 2. Conforme à 21 CFR 1040.10 et 1040.11, sauf pour les écarts suivant l'Avis laser 50, 24/6/2007



IEC 60825-1:2007-03  
≤1 mW @ 630-670 nm  
2

**NE LAISSEZ PAS** l'instrument allumé (« ON ») sans surveillance dans un mode de fonctionnement quelconque.

**NE DÉMONTÉZ PAS** l'instrument. Il ne contient aucune pièce pouvant être réparée par l'utilisateur. Ne modifiez ce produit en aucune façon. Toute modification de cet instrument risquerait de causer une exposition dangereuse aux rayonnements.

**N'UTILISEZ PAS** les verres de visionnement du laser à la place de lunettes de protection. Les verres de visionnement du laser sont utilisés pour améliorer la visualisation du faisceau laser, mais ils ne protègent pas contre les rayonnements laser.

**N'UTILISEZ PAS** pas les verres de visionnement du laser en guise de lunette de soleil ou lorsque vous conduisez un véhicule. Ces verres n'assurent pas une protection complète contre les rayons UV et ils réduisent la perception des couleurs.

**N'UTILISEZ PAS** d'instruments optiques tels, que, entre autres, des télescopes ou des lunettes d'astronome pour regarder le faisceau laser. Ceci risquerait de causer des blessures graves aux yeux.

**NE FIXEZ PAS** directement des yeux le faisceau laser et ne projetez pas la faisceau laser directement dans les yeux d'autres personnes. Ceci risquerait de causer des blessures graves aux yeux.

**CONSERVEZ CES INSTRUCTIONS.**

## **AVERTISSEMENT**

Les changements ou modifications à cette unité n'étant pas expressément approuvés par la partie responsable de la conformité pourrait annuler l'autorité de l'utilisateur de faire fonctionner l'équipement.

**Remarque :** Cet équipement a été testé et jugé conforme aux limites pour un équipement numérique de Classe B en vertu de la Partie 15 des Règlements de la FCC. Ces limites sont conçues pour assurer une protection raisonnable contre les interférences nuisibles dans une installation résidentielle. Cet équipement émet, utilise et peut rayonner de l'énergie de fréquence radio et, s'il n'est pas installé et utilisé conformément aux instructions, il pourrait causer des interférences nuisibles aux communications radio. Cependant, il n'existe aucune garantie qu'aucune interférence ne se produira dans une installation particulière. Si cet équipement cause des interférences nuisibles pour la réception de programmes à la radio ou à la télévision, ce qui peut être déterminé en allumant et en éteignant à plusieurs reprises l'équipement en question, l'utilisateur est encouragé à corriger l'interférence en prenant une ou plusieurs des mesures suivantes :

- Réorienter ou déplacer l'antenne de réception.
- Augmenter la distance entre l'équipement et le récepteur.
- Connecter l'équipement à une prise de courant raccordée à un circuit différent de celui auquel le récepteur est connecté.
- Consulter le détaillant ou un technicien radio ou télévision expérimenté pour lui demander conseil.

### **Sécurité sur le lieu de travail**

**Maintenez votre lieu de travail propre et bien éclairé.** Les lieux de travail encombrés ou sombres invitent les accidents.

**N'UTILISEZ PAS l'instrument laser à proximité d'enfants, et ne laissez pas des enfants se servir de l'instrument laser.** Cela risquerait de produire des blessures graves aux yeux.

### **Sécurité électrique**

**Les piles risquent d'exploser ou de fuir, et de causer des blessures ou un incendie.** Afin de réduire ce risque, suivez toujours toutes les instructions et tous les avertissements figurant sur l'étiquette des piles et sur l'emballage.

**NE COURT-CIRCUITEZ PAS de bornes des piles.**

**NE RECHARGEZ PAS des piles alcalines.**

**NE MÉLANGEZ PAS des piles neuves et des piles usagées.** Remplacez toutes les piles en même temps par des piles neuves de la même marque et du même type.

**NE MÉLANGEZ PAS des piles ayant des compositions chimiques différentes.**

**Jetez ou recyclez les piles conformément aux règlements du code local.**

**NE JETEZ PAS des piles dans un feu.**

**Gardez les piles hors de la portée des enfants.**

**Retirez les piles si vous ne pensez pas utiliser cet instrument pendant plusieurs mois.**

### **Sécurité personnelle**

**Restez alerte, surveillez ce que vous êtes en train de faire et faites preuve de bons sens lorsque vous utilisez un quelconque outil.** N'utilisez pas un outil pendant que vous êtes fatigué(e) ou sous l'influence de drogues, d'alcool ou de médicaments. Un moment d'inattention pendant que vous vous servez d'un outil risquerait de causer de graves blessures personnelles ou de produire des

résultats de mesures imprécis.

**Utilisez des équipements de sécurité. Portez toujours une protection des yeux.** Des équipements tels que des masques antipoussières, des chaussures de sécurité antidérapantes, un casque ou une protection des oreilles utilisés pour les conditions appropriées réduiront les blessures corporelles.

### **Fixation multifonctionnelle**



**Ne pas mettre la fixation multifonctionnelle 8 dans la proximité de stimulateurs cardiaques.** Les disques magnétiques 12 génèrent un champ qui peut entraver le fonctionnement de stimulateurs cardiaques.

- **Maintenir la fixation éloignée des support de données magnétiques et des appareils réagissant aux sources magnétiques.** L'effet du disque magnétique 12 peut entraîner des pertes de données irréversibles.

### **Utilisation et entretien**

**Utilisez l'outil correct pour votre application.** L'instrument de mesure, de détection et de tracé de topologies correct vous permettra de faire un meilleur travail et avec plus de sécurité à la vitesse pour laquelle il a été conçu.

**N'utilisez pas cet instrument si l'interrupteur ne s'allume pas ou ne s'éteint pas.** Un instrument qui ne peut pas être contrôlé par son interrupteur est dangereux et doit être réparé.

**Rangez l'instrument hors de la portée des enfants lorsque vous ne vous en servez pas, et ne laissez pas de personnes ne connaissant pas bien cet instrument ou n'ayant pas lu ce mode d'emploi mettre l'outil en marche.** De tels instruments pourraient être dangereux entre les mains d'utilisateurs n'ayant pas reçu la formation nécessaire à leur utilisation.

**Entretenez vos instruments. Assurez-vous que les pièces sont alignées correctement et que les pièces mobiles ne se coincent pas, qu'il n'y a pas de pièces brisées ou d'autres conditions pouvant affecter le fonctionnement. Réparez tout instrument endommagé avant de vous en servir.**

Tout outil endommagé doit être réparé par le centre de service après-vente agréé de Bosch avant d'être employé à nouveau. De nombreux accidents par des instruments de mesure, de détection et de tracé de topologies mal entretenus.

**Utilisez l'outil, les accessoires, etc. conformément à ce mode d'emploi et de la manière prévue pour le type particulier d'instrument, en tenant compte des conditions de travail à réaliser.** L'emploi de cet instrument pour des opérations différentes de celles qui sont indiqués dans le mode d'emploi risquerait de causer une situation dangereuse.

## Service après-vente

**Faites réparer votre instrument par un réparateur agréé n'utilisant que des pièces de rechange identiques.** Ceci assurera le respect des prescriptions de sécurité pour l'instrument.

**Préparez un calendrier de maintenance périodique pour l'instrument. Lorsque vous nettoyez un instrument, faites attention de ne pas démonter une partie quelconque de l'instrument étant donné que des fils internes risqueraient d'être déplacés ou pincés, ou qu'ils pourraient être remontés de façon incorrecte.** Certains produits de nettoyage tels que de l'essence, du tétrachlorure de carbone, de l'ammoniac, etc. risqueraient d'endommager les composants en plastique.

**CONSERVEZ CES INSTRUCTIONS.**


## Emploi prévu


L'appareil de mesure est utilisé pour transfert précis des plumb point du sol au plafond.

## Préparation

### Mise en place/changement des piles

Pour le fonctionnement de l'appareil de mesure, nous recommandons d'utiliser des piles alcalines au manganèse.

Pour ouvrir le couvercle du compartiment à piles **3**, tournez le blocage **2** en position  dans le sens des aiguilles d'une montre et retirez le couvercle du compartiment à piles. Introduisez les piles fournies. Veillez à la bonne position des pôles qui doit correspondre à la figure se trouvant à l'intérieur du compartiment à piles.

Montez le couvercle du compartiment à piles en dessous sur le boîtier et poussez-le vers le haut. Tournez le blocage **2** en position  dans le sens inverse des aiguilles d'une montre pour verrouiller le

couvercle du compartiment à piles. Si les faisceaux laser clignotent à un rythme lent pendant le service, c'est que les piles sont faibles.

Après le premier clignotement, il est possible de continuer à utiliser l'appareil de mesure pendant 8 h env.

Toujours remplacer toutes les piles en même temps. N'utiliser que des piles de la même marque avec la même capacité.

- **Sortir les piles de l'appareil de mesure au cas où l'appareil ne serait pas utilisé pour une période assez longue. En cas de stockage long, les piles peuvent corroder et se décharger.**

## Features

La numérotation des éléments de l'appareil se réfère à la représentation de l'appareil de mesure sur la page graphique.

- 1 Orifice de sortie du faisceau laser
- 2 Blocage du couvercle du compartiment à piles
- 3 Couvercle du compartiment à piles
- 4 Interrupteur Marche/Arrêt
- 5 Plaque d'avertissement de laser
- 6 Raccord de trépied 1/4"
- 7 Numéro de série
- 8 Fixation multifonctionnelle
- 9 Vis de serrage de la fixation multifonctionnelle
- 10 Trous filetés de la fixation multifonctionnelle

- 11 Guidage de la bande
- 12 Aimants
- 13 Raccord de trépied 1/4" de la fixation
- 14 Raccord de trépied 5/8" de la fixation
- 15 Marqueur d'objectif à laser\*
- 16 Etui de protection\*
- 17 Lunettes de vision du faisceau laser\*
- 18 Trépied\*

\*Les accessoires décrits ou montrés ne sont pas compris dans l'emballage standard.

## Données techniques

Zone de travail	Type de laser	.635 nm, <1 mW
– Standard	Raccord de trépied	.1/4-20
Précision de nivellement :	Piles	3 x 1,5 V LR6 (AA)
Précision minimale d'usine	Durée de service env.	24 h
Précision typique de nivellement	Poids	.0,25 kg
Plage typique de nivellement automatique le long de	Dimensions	4-1/8 x 3-1/8 x 1-5/8-in (105 x 80 x 42 mm)
– l'axe transversal		
Temps typique de nivellement	Faire attention au numéro d'article se trouvant sur la plaque signalétique de l'appareil de mesure. Les désignations commerciales des différents appareils peuvent varier.	
Température de service	Pour permettre une identification précise de votre appareil de mesure, le numéro de série 7 est marqué sur la plaque signalétique.	
Température de stockage		
Humidité relative de l'air max.		
Classe laser		

## Consignes d'utilisation

### Mise en service

- **Protéger l'appareil de mesure contre l'humidité, ne pas l'exposer aux rayons directs du soleil.**
- **Ne pas exposer l'appareil de mesure à des températures extrêmes ou de forts changements de température.** Ne le laissez pas traîner longtemps dans la voiture par ex. En cas d'importants changements de température, laissez l'appareil de mesure prendre la température ambiante avant de le mettre en service. Des températures extrêmes ou de forts changements de température peuvent entraver la précision de l'appareil de mesure.
- **Éviter les chocs ou les chutes de l'appareil de mesure.** Lorsque l'appareil de mesure a été soumis à de fortes influences extérieures, toujours effectuer un contrôle de précision avant de continuer à travailler (voir « Précision de nivellement »). N'utilisez pas l'outil quand le cache du point d'émission du laser a été endommagé à la suite d'un choc important ayant affecté l'extérieur de l'outil. De nombreux accidents par des instruments de mesure, de détection et de tracé de topologies mal entretenus.
- **Éteignez l'appareil de mesure quand vous le transportez.** Lorsque l'appareil est éteint, l'unité pendulaire se verrouille afin de prévenir son endommagement lors de mouvements forts.

### Mise en Marche/Arrêt

Pour **mettre en marche** l'appareil de mesure, glisser l'interrupteur Marche/Arrêt 4 vers le haut de sorte que « 1 » apparaisse sur l'interrupteur. Immédiatement après avoir été mis en marche, l'appareil de mesure

envoie un faisceau laser à travers chaque orifice de sortie 1.

- **Ne pas diriger le faisceau laser vers des personnes ou des animaux et ne jamais regarder ans le faisceau laser, même si vous êtes à grande distance de ce dernier.**

Pour **éteindre** l'appareil de mesure, glisser l'interrupteur Marche/Arrêt 4 vers le bas de sorte que « 0 » apparaisse sur l'interrupteur. Lorsque l'appareil est éteint, l'unité pendulaire est verrouillée.

### Réglage de la coupure automatique

L'appareil de mesure se met automatiquement hors fonctionnement 20 min après sa mise en service.

Il est possible de modifier cette coupure automatique de 20 min à 8 h. Pour ce faire, mettez l'appareil de mesure en fonctionnement, éteignez-le immédiatement et remettez-le en marche en l'espace de 4 s. Pour confirmer la modification, tous les faisceaux laser clignotent à un rythme rapide pendant 2 s après la deuxième mise en marche.

- **Ne pas laisser sans surveillance l'appareil de mesure allumé et éteindre l'appareil de mesure aprZs l'utilisation.** D'autres personnes pourraient être éblouies par le faisceau laser. Lors de la prochaine mise en marche de l'appareil de mesure, la coupure automatique est à nouveau réglée sur 20 min.

### Travailler avec nivellement automatique

Placez l'appareil de mesure sur un support horizontale solide, montez-le sur la fixation 8 ou sur le trépied 18.

Une fois l'appareil mis en marche, le nivellement automatique compense



automatiquement les inégalités à l'intérieur de la plage de nivellement automatique de  $\pm 5^\circ$  (axe longitudinal) ou  $\pm 3^\circ$  (axe transversal). Dès que les points laser ne bougent plus, le nivellement est terminé.

Si un nivellement automatique n'est pas possible, par ex. parce que la surface où est posé l'appareil de mesure diffère de plus de  $5^\circ$  ou de plus de  $3^\circ$  de l'horizontale, les faisceaux laser clignotent au rythme rapide. Dans un tel cas, placez l'appareil de mesure horizontalement et attendez le nivellement

automatique. Dès que l'appareil de mesure se trouve à l'intérieur de la plage de nivellement automatique de  $\pm 5^\circ$  ou  $\pm 3^\circ$ , les faisceaux laser restent à nouveau allumés en permanence.

Dans le cas de secousses ou de modifications pendant l'utilisation, l'appareil de mesure est automatiquement nivelé à nouveau. Après le nivellement, vérifiez la position des faisceaux laser par rapport aux points de référence afin d'éviter des erreurs causées par un déplacement de l'appareil de mesure.

## Précision de nivellement

### Influences sur la précision

C'est la température ambiante qui exerce la plus grande influence. Ce sont notamment les différences de température entre le sol et la hauteur de travail qui peuvent faire dévier le faisceau laser.

Puisque la stratification de la température est à son maximum à proximité du sol, l'appareil de mesure devrait toujours être monté sur un trépied disponible dans le commerce, si possible, et être installé au centre de la zone de travail.

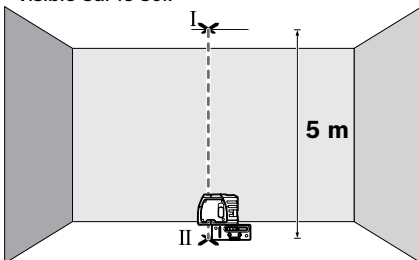
Outre les influences extérieures, des influences spécifiques à l'appareil (par ex. chutes ou chocs violents) peuvent entraîner de légères divergences. Avant de commencer tout travail, contrôlez donc la précision de l'appareil de mesure.

Si l'appareil de mesure dépasse la divergence maximale de précision pour un des contrôles, le faire réparer par un service après-vente Bosch.

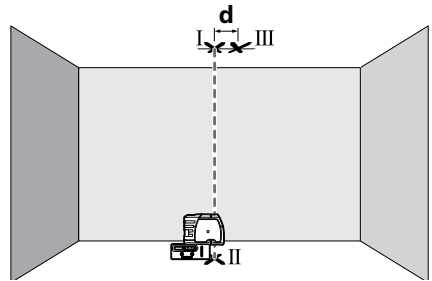
### Contrôler la précision du nivellement vertical

Pour ce contrôle, on nécessite une distance dégagée de 5 m sur un sol stable entre le sol et le plafond.

- Dessinez une ligne droite sur le plafond.
- Montez l'appareil de mesure sur la fixation ou un trépied. Mettez l'appareil de mesure en fonctionnement et tournez-le de sorte que le faisceau d'aplomb inférieur soit visible sur le sol.



- Positionnez l'appareil de mesure de sorte que le faisceau d'aplomb supérieur atteigne la ligne sur le plafond. Laissez l'appareil de mesure effectuer un nivellement automatique. Marquez le milieu du point laser supérieur sur la ligne du plafond (point I). Marquez également le milieu du point laser inférieur sur le sol (point II).



- Tournez l'appareil de mesure de  $180^\circ$ . Positionnez-le de sorte que le milieu du point laser inférieur se trouve sur le point II déjà marqué et le point laser supérieur sur la ligne du plafond. Laissez l'appareil de mesure effectuer un nivellement automatique. Marquez le milieu du point laser supérieur sur la ligne du plafond (point III).
- L'écart **d** entre les deux points I et III marqués sur le plafond indique la divergence réelle de l'appareil de mesure de la verticale.

Pour une distance à mesurer de  $2 \times 5 \text{ m} = 10 \text{ m}$ , la divergence de précision max. admissible est de :

$$10 \text{ m} \times \pm 0,3 \text{ mm/m} = \pm 3 \text{ mm.}$$

Par conséquent, la différence **d** entre les points I et III ne doit être que 3 mm max.

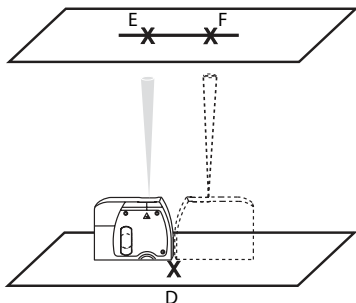


## Procédure d'Étalonnage

Tous les niveaux laser GPL 2 sont étalonnés par le fabricant lors du contrôle de la qualité assuré par Bosch. Le contrôle de la qualité garantit que l'utilisateur est possession d'un instrument de qualité supérieure et conforme aux spécifications du produit. Bien qu'il soit étalonné avant de quitter l'usine, le niveau laser GPL 2, doté de nombreuses pièces usinées avec précision et pouvant être affectées en cas de traitement abusif, doit de temps à autre être étalonné pour assurer son bon fonctionnement. Par conséquent, si l'unité est laissée tombée ou subit un impact important, l'utilisateur doit vérifier l'étalonnage en respectant les étapes suivantes:

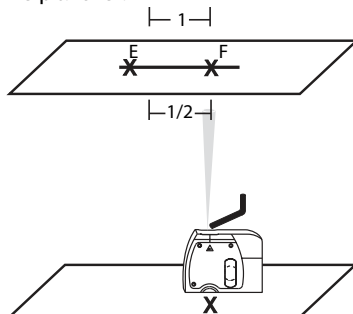
### Étalonnage des faisceaux laser du haut et du bas

1. Sélectionnez un site d'étalonnage. Pour obtenir les meilleurs résultats possible, il est conseillé d'utiliser un plancher ou un plafond à une distance de plus de 10 pi (plus la distance est importante, plus l'exactitude de l'étalonnage est grande). Plancher/plafond (le point le plus élevé d'une entrée de porte) à une distance d'environ 10 pi.



2. Mettez le niveau laser GPL 2 en arrêt.
3. Utilisez un tournevis à tête plate pour retirer le capuchon de l'orifice d'étalonnage sur le côté du niveau. Rangez le capuchon dans un endroit sûr.
4. Tracez une ligne droite sur le plafond.
5. Mettez le niveau laser GPL 2 en marche.
6. Posez le niveau laser GPL 2 laser sur le plancher (sur son socle de montage afin que le faisceau laser du bas soit visible sur le sol).
7. Alignez le niveau laser GPL 2 de façon à ce que le faisceau est braqué sur la ligne sur le plafond.

8. Marquez l'emplacement du point que produit le faisceau du bas sur le plancher comme étant point D ; marquez le point créé par le faisceau du haut sur le plafond comme étant point E.
9. Faites pivoter le niveau laser GPL 2 de 180° et alignez le faisceau du bas avec le point sur le plancher.



10. Marque el haz superior sobre el cielorraso como Marca F. Debe haber dos marcas en el cielorraso.
11. Compare las dos marcas en el cielorraso. Si ambas están en el mismo punto, no será necesario calibrar la unidad. De lo contrario, proceda hasta el paso 12.
12. Apague el dispositivo GPL 2.
13. Inserte la llave Allen de 2 mm en el puerto de calibración lateral. El objetivo es hacer que el haz láser quede a mitad de camino entre ambas marcas del cielorraso. Gire la llave Allen en sentido horario o antihorario para mover el haz láser.
14. Encienda el dispositivo GPL 2 y verifique la posición del haz para ver si se encuentra exactamente a medio camino entre las marcas del cielorraso. Si el haz no está posicionado correctamente, repita los pasos 12 a 14 hasta que se encuentre en la posición correcta.
15. Coloque el botón de calibración lateral en el dispositivo GPL 2.
16. Se acaba de completar la calibración.

## Applications

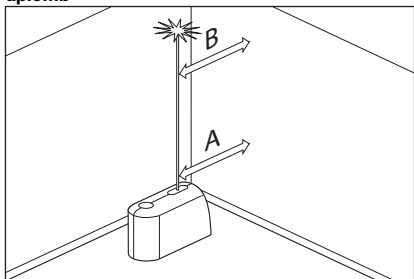
### Mise d'aplomb d'une surface

1. Posez le niveau laser GPL 2 près de la surface à mettre d'aplomb.
2. Mettez le niveau laser GPL 2 en marche.
3. Mesurez la distance A depuis un point relativement rapproché du niveau et prenez en note la valeur obtenue.
4. Mesurez la distance B depuis un point relativement éloigné du niveau et prenez en note la valeur obtenue.

Remarque: plus la distance entre les deux points de mesure est importante, plus l'exactitude des données est grande.

5. Comparez la distance A à la distance B. Si A égale B, la surface est d'aplomb. Si A n'égale pas B, la surface est hors d'aplomb et doit être corrigée.

### D'aplomb

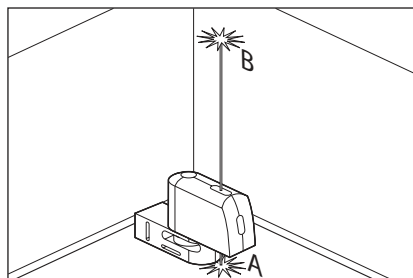


### Transfert de points à l'aide du faisceau de mise d'aplomb

1. Marquez le point à transférer (repéré par la lettre A dans l'illustration).
2. Utilisez le socle de montage ou un trépied pour diriger le faisceau de mise d'aplomb du bas sur point A.
3. Le faisceau de mise d'aplomb du haut va transférer ce point le long d'un axe parfaitement vertical vers point B.
4. Marquez le point B.

Remarque: Il est possible d'inverser l'ordre de cette procédure.

### Transfert de la mise d'aplomb



## Utiliser avec accessories

Pour fixer l'appareil de mesure sur la fixation multifonctionnelle **8**, serrez le vis de blocage **9** de la fixation multifonctionnelle dans le raccord de trépied 1/4" 6 se trouvant sur l'appareil de mesure. Pour tourner l'appareil de mesure sur la fixation multifonctionnelle, desserrez légèrement le vis **9**.

- Tournez l'appareil de mesure sur la fixation multifonctionnelle **8** vers le côté ou vers l'arrière pour rendre visible le faisceau d'aplomb inférieur.
- Tournez l'appareil de mesure sur la fixation multifonctionnelle **8** pour reporter des hauteurs avec le faisceau laser horizontal.

A l'aide de la fixation multifonctionnelle **8**, vous avez différentes possibilités de fixer l'appareil de mesure, que voici :

- Montez la fixation multifonctionnelle **8** à l'aide du raccord de trépied 1/4" **13** sur le trépied **18** ou sur un trépied disponible dans le commerce. Pour la fixation multifonctionnelle

sur un trépied de chantier disponible dans le commerce, utilisez le raccord de trépied 5/8" **14**.

- Il est possible de fixer la fixation multifonctionnelle **8** à l'aide des aimants **12** sur des pièces métalliques.
- Il est possible de visser la fixation multifonctionnelle **8** au moyen de vis sur les murs de construction sèche ou sur des murs en bois. Pour ce faire, enfoncez des vis d'une longueur d'au moins 50 mm à travers les trous filetés **10** de la fixation multifonctionnelle.
- Il est possible d'attacher la fixation multifonctionnelle **8** sur des tuyaux ou des éléments similaires au moyen d'une bande disponible dans le commerce que l'on fait passer à travers le guidage de la bande **11**.

### Travailler avec le trépied (accessoire)

Un trépied **18** offre l'avantage d'être un support de mesure stable à hauteur réglable. Placez l'appareil de mesure avec le raccord du trépied **6** sur le filet 1/4" du trépied et serrez-le au moyen de la vis de blocage du trépied.

### Travailler avec la platine de mesure (accessoire)

A l'aide de la platine de mesure **15**, il est possible de reporter le marquage du faisceau laser sur le sol ou de reporter la hauteur du laser sur le mur.

Le champ zéro et la graduation permettent de mesurer l'écart par rapport à la hauteur souhaitée et de la reporter sur un autre endroit. Il n'est donc pas nécessaire d'ajuster l'appareil de mesure précisément sur la hauteur à reporter.

La platine de mesure **15** dispose d'un revêtement réflecteur pour améliorer la visibilité du faisceau laser à une distance plus

importante ou en cas d'un fort ensoleillement. L'augmentation de la luminosité n'est visible que lorsqu'on regarde en parallèle avec le faisceau laser sur la platine de mesure.

### Lunettes de vision du faisceau laser (accessoire)

Les lunettes de vision du faisceau laser filtrent la lumière ambiante. L'oeil perçoit ainsi la lumière rouge du laser comme étant plus claire.

- **Ne pas utiliser les lunettes de vision du faisceau laser en tant que lunettes de protection.** Les lunettes de vision du faisceau laser servent à mieux reconnaître le faisceau laser, elles ne protègent cependant pas du rayonnement laser.
- **Ne pas utiliser les lunettes de vision du faisceau laser en tant que lunettes de soleil ou en circulation routière.** Les lunettes de vision du faisceau laser ne protègent pas parfaitement contre les rayons ultra-violet et réduisent la perception des couleurs.

## Maintenance et service

### Nettoyage et entretien

Ne transporter et ranger l'appareil de mesure que dans son étui de protection fourni avec l'appareil.

Maintenir l'appareil de mesure propre.

Ne jamais plonger l'appareil de mesure dans l'eau ou dans d'autres liquides.

Nettoyer l'appareil à l'aide d'un chiffon doux et humide. Ne pas utiliser de détergents ou de solvants.

Nettoyer régulièrement en particulier les surfaces se trouvant près de l'ouverture de sortie du laser en veillant à éliminer les poussières.

Si, malgré tous les soins apportés à la fabrication et au contrôle de l'appareil de mesure, celui-ci devait avoir un défaut, la réparation ne doit être confiée qu'à une station de service après-vente agréée pour outillage Bosch.

Pour toute demande de renseignement ou commande de pièces de rechange, nous préciser impérativement le numéro d'article à dix chiffres de l'appareil de mesure indiqué sur la plaque signalétique.

Au cas où l'appareil devrait être réparé, l'envoyer dans son étui de protection **16**.

### PROTECTION DE L'ENVIRONNEMENT

Recyclez les matières premières et les piles au lieu de les mettre au rebut. L'instrument, ses accessoires, son conditionnement et les piles usées doivent être triés en vue d'un recyclage écologique conforme aux lois les plus récentes.



## GARANTIE LIMITÉE DES PRODUITS LASER ET AUTRES INSTRUMENTS DE MESURE BOSCH

Robert Bosch Tool Corporation (« Vendeur ») garantit, exclusivement à l'acheteur initial, que tous les outils laser et de mesure de Bosch ne comporteront aucun défaut de matériau ou de fabrication pendant une période d'un (1) an à compter de la date de l'achat. Bosch fournira une couverture de garantie portée à deux (2) ans si vous enregistrez votre produit dans les huit (8) semaines suivant la date de l'achat. La carte d'enregistrement du produit doit être complète et envoyée à Bosch (avec un cachet de la poste indiquant une date de moins de huit semaines après la date de l'achat), ou vous pouvez vous inscrire en ligne à [www.boschtools.com/Service/ProductRegistration](http://www.boschtools.com/Service/ProductRegistration). Si vous décidez de ne pas faire enregistrer votre produit, une garantie limitée d'un (1) an s'appliquera à votre produit.

### **Remboursement ou remplacement du produit jusqu'à 30 jours -**

Si vous n'êtes pas complètement satisfait(e) par la performance de vos outils laser et de mesure pour quelque raison que ce soit, vous pouvez les rapporter à votre détaillant Bosch dans les 30 jours suivant la date de l'achat pour obtenir un remboursement intégral ou un remplacement. Pour obtenir ce remboursement du prix ou ce remplacement du produit jusqu'à 30 jours après l'achat, votre retour doit être accompagné par l'original du reçu correspondant à l'achat du produit laser ou de l'instrument optique. Un maximum de deux retours par client sera autorisé.

LA SEULE OBLIGATION DU VENDEUR ET VOTRE SEUL REMÈDE en vertu de cette Garantie limitée et, dans la mesure où la loi le permet, de toute autre garantie ou condition légalement implicite, seront la réparation ou le remplacement à titre gratuit des pièces qui seront jugées défectueuses pour cause de vice de matériau ou de fabrication et qui n'auront pas été utilisées de façon abusive, manipulées sans précautions ou réparées incorrectement par des personnes autres que le Vendeur ou un Centre de service après-vente agréé. Pour vous prévaloir de la présente Garantie limitée, vous devez retourner la totalité de l'outil laser ou de l'outil de mesure Bosch, en port payé, à un Centre de service après-vente usine ou à un centre de service après-vente agréé de BOSCH. Veuillez inclure un justificatif d'achat dûment daté avec votre outil. Pour trouver les adresses des centres de service après-vente, veuillez utiliser notre guide en ligne service locator. ou téléphoner au 1-877-267-2499.

CE PROGRAMME DE GARANTIE NE S'APPLIQUE PAS AUX TRÉPIEDS OU AUX MIRES DE NIVELLEMENT.

Robert Bosch Tool Corporation (« Vendeur ») garantit les trépieds et les mires de nivellement pendant une période d'un (1) an à compter de la date de l'achat.

CETTE GARANTIE LIMITÉE NE S'APPLIQUE PAS À D'AUTRES ACCESSOIRES ET ARTICLES COMPLÉMENTAIRES. CES DERNIERS BÉNÉFICIENT D'UNE GARANTIE LIMITÉE DE 90 JOURS.

Pour vous prévaloir de la présente Garantie limitée, vous devez retourner la totalité du produit en port payé. Pour plus de détails sur le recours à la présente Garantie limitée, veuillez visiter [www.boschtools.com](http://www.boschtools.com) ou téléphoner au 1-877-267-2499.

LA DURÉE DE TOUTE GARANTIE IMPLICITE SERA LIMITÉE À UN AN À COMPTER DE LA DATE DE L'ACHAT. COMME CERTAINS ÉTATS AUX ÉTATS-UNIS ET CERTAINES PROVINCES AU CANADA NE PERMETTENT PAS DE LIMITATIONS SUR LA DURÉE D'UNE GARANTIE IMPLICITE, LA LIMITATION CI-DESSUS NE S'APPLIQUE PEUT-ÊTRE PAS À VOUS.

LE VENDEUR NE SERA EN AUCUN CAS RESPONSABLE POUR TOUS DOMMAGES INDIRECTS OU SECONDAIRES (Y COMPRIS, MAIS SANS LIMITATION, LA RESPONSABILITÉ AU TITRE DE LA PERTE DE BÉNÉFICES) RÉSULTANT DE LA VENTE OU DE L'EMPLOI DE CE PRODUIT. COMME CERTAINS ÉTATS AUX ÉTATS-UNIS ET CERTAINES PROVINCES AU CANADA NE PERMETTENT PAS L'EXCLUSION OU LA LIMITATION DE LA RESPONSABILITÉ POUR DOMMAGES INDIRECTS OU SECONDAIRES, LA LIMITATION CI-DESSUS NE S'APPLIQUE PEUT-ÊTRE PAS À VOUS.

CETTE GARANTIE LIMITÉE VOUS CONFÈRE DES GARANTIES JURIDIQUES PARTICULIÈRES, ET VOUS POUVEZ AUSSI AVOIR D'AUTRES DROITS, QUI VARIENT D'UN ÉTAT À L'AUTRE AUX ÉTATS-UNIS, D'UNE PROVINCE À L'AUTRE AU CANADA OU D'UN PAYS À L'AUTRE.

CETTE GARANTIE LIMITÉE NE S'APPLIQUE QU'ÀUX PRODUITS VENDUS AUX ÉTATS-UNIS D'AMÉRIQUE, AU CANADA ET À PORTO RICO. CONTACTEZ VOTRE DISTRIBUTEUR OU IMPORTATEUR BOSCH POUR OBTENIR DES INFORMATIONS SUR LA COUVERTURE DE LA GARANTIE DANS LES AUTRES PAYS.

# Nomas generales de seguridad



**ADVERTENCIA** Lea todas las instrucciones. Si no se siguen todas las instrucciones que aparecen a continuación, el resultado podría ser exposición a radiación peligrosa, descargas eléctricas, incendio y/o lesiones graves.

## GUARDE TODAS LAS ADVERTENCIAS E INSTRUCCIONES PARA REFERENCIA FUTURA

La expresión "herramienta de medición, detección y disposición" en todas las advertencias que aparecen a continuación se refiere a su herramienta de medición, detección y disposición alimentada por la red eléctrica (alámbrica) o su herramienta de medición, detección y disposición alimentada por baterías (inalámbrica).

Las siguientes etiquetas están colocadas en su herramienta láser para brindarle conveniencia y seguridad. Indican el lugar donde la luz láser es emitida por el nivel. CONOZCA SIEMPRE su ubicación cuando utilice el nivel.



No dirija el rayo láser hacia personas o animales y no mire al rayo láser usted mismo. Esta herramienta produce radiación láser de clase 2 y cumple con las normas 21 CFR 1040.10 y 1040.11, excepto por las desviaciones conformes al Aviso sobre láser No. 50, de fecha 24 de junio de 2007. Esto puede causar ceguera en las personas.



**PRECAUCIÓN** NO retire ni desfigure ninguna etiqueta de advertencia o de precaución. Si se retiran las etiquetas, se aumenta el riesgo de exposición a radiación láser.

La utilización de controles o ajustes, o la realización de procedimientos que no sean los especificados en este manual, puede causar exposición a radiación peligrosa.

Asegúrese SIEMPRE de que todas las personas que se encuentren en la vecindad del lugar de uso conozcan los peligros de mirar directamente al láser.

NO coloque la herramienta en una posición que pueda hacer que alguien mire al rayo láser de manera intencional o accidental. El resultado podría ser lesiones graves en los ojos.

Posicione SIEMPRE la herramienta de manera segura. Si la herramienta falla, el resultado podría ser daños a la misma y/o lesiones graves al usuario.

Utilice SIEMPRE sólo los accesorios que estén recomendados por el fabricante de su herramienta. El uso de accesorios que hayan sido diseñados para utilizarse con otras herramientas podría causar lesiones graves.

NO utilice esta herramienta para propósitos que no sean los indicados en este manual. Si lo hace, el resultado podría ser lesiones graves.

## Declaración de FCC

Este dispositivo cumple con la parte 15 de las reglas de la FCC. Su operación está sujeta a las dos condiciones siguientes: (1) Este dispositivo no puede causar interferencia perjudicial y (2) este dispositivo debe aceptar cualquier interferencia recibida, incluyendo la interferencia que puede causar un funcionamiento no deseado.

Laser Radiation. Do not stare into the beam. Class 2 Laser product. Complies with 21 CFR 1040.10 and 1040.11 except for deviations pursuant to Laser Notice 50, 6/24/2007

Radiación Láser. No mire al rayo. Producto láser de Clase 2. Cumple con las normas 21 CFR 1040.10 y 1040.11, excepto por las desviaciones conforme al Aviso para Láseres 50 del 24 de junio de 2007

Rayonnement laser. Ne regardez pas directement dans le faisceau. Produit laser de Classe 2. Conforme à 21 CFR 1040.10 et 1040.11, sauf pour les écarts suivant l'Avis laser 50, 24/6/2007



IEC 60825-1:2007-03  
≤1 mW @ 630-670 nm  
2

NO deje la herramienta láser "ENCENDIDA" desatendida en ningún modo de funcionamiento.

NO desarme la herramienta. En su interior no hay piezas reparables ni reemplazables por el usuario. No modifique el producto de ninguna manera. Si se modifica la herramienta, el resultado podría ser exposición a radiación láser peligrosa.

NO utilice los anteojos de visión láser como anteojos de seguridad. Los anteojos de visión láser se utilizan para mejorar la visualización del rayo láser, pero no protegen contra la radiación láser.

NO utilice los anteojos de visión láser como lentes de sol o en tráfico. Los anteojos de visión láser no ofrecen protección completa contra los rayos UV y reducen la percepción de los colores.

NO use herramientas ópticas, tales como, pero no limitadas a, telescopios o telescopios meridianos, para ver el rayo láser. El resultado podría ser lesiones graves en los ojos.

NO mire directamente al rayo láser ni proyecte el rayo láser directamente a los ojos de otras personas. El resultado podría ser lesiones graves en los ojos.

## GUARDE ESTAS INSTRUCCIONES

**⚠ ADVERTENCIA** Los cambios o modificaciones a esta unidad no aprobados expresamente por la parte responsable del cumplimiento podrían anular la autoridad del usuario para operar el equipo.

**Nota:** Este equipo ha sido sometido a prueba y se ha comprobado que cumple con los límites para un dispositivo digital de Clase B, conforme a la parte 15 de las reglas de la FCC. Estos límites están diseñados para ofrecer una protección razonable contra la interferencia perjudicial en una instalación residencial. Este equipo genera, utiliza y puede irradiar energía de radiofrecuencia y, si no se instala y utiliza de acuerdo con las instrucciones, puede causar interferencia perjudicial para las radiocomunicaciones. Sin embargo, no hay garantía de que no ocurrirá interferencia en una instalación específica. Si este equipo causa interferencia perjudicial para la recepción de radio o televisión, lo cual se puede determinar apagando y encendiendo el equipo, se recomienda al usuario que intente corregir la interferencia mediante una o más de las siguientes medidas:

- Reoriente o reubique la antena receptora.
- Aumente la separación entre el equipo y el receptor.
- Conecte el equipo a un tomacorriente de un circuito diferente al circuito al cual el receptor está conectado.
- Consulte al distribuidor o a un técnico experto en radio y televisión para obtener ayuda.

### Seguridad en el área de trabajo

Mantenga el área de trabajo limpia y bien iluminada. Las áreas desordenadas u oscuras invitan a que se produzcan accidentes.

**NO utilice la herramienta láser cerca de niños ni deje que los niños utilicen la herramienta láser. El resultado podría ser lesiones graves en los ojos.**

### Seguridad eléctrica

**⚠ ADVERTENCIA** Las baterías pueden explotar o tener fugas y causar lesiones o incendios. Para reducir este riesgo, siga siempre todas las instrucciones y advertencias que están en la etiqueta y en el paquete de las baterías.

**NO haga cortocircuito en los terminales de las baterías.**

**NO cargue baterías alcalinas.**

**NO mezcle baterías viejas y nuevas.** Reemplace todas las baterías al mismo tiempo con baterías nuevas de la misma marca y el mismo tipo.

**NO mezcle las químicas de las baterías.**

**Deseche o recicle las baterías de acuerdo con el código local.**

**NO deseche las baterías en un fuego.**

**Mantenga las baterías fuera del alcance de los niños.**

Retire las baterías si el dispositivo no se va a usar durante varios meses.

### Seguridad personal

**Manténgase alerta, fíjese en lo que está haciendo y use el sentido común cuando utilice una herramienta. No utilice una herramienta mientras esté cansado o bajo la influencia de drogas, alcohol o medicamentos.** Un momento de descuido mientras se utiliza una herramienta puede causar lesiones personales graves o resultados de medición incorrectos.

**Use equipo de seguridad. Use siempre protección de los ojos.** El equipo de seguridad, tal como una máscara antipolvo, zapatos de seguridad antideslizantes, casco o protección de la audición, utilizado para las condiciones apropiadas, reducirá las lesiones corporales.

### Base multifuncional



**No coloque la base multifuncional 8 cerca de personas que utilicen un marcapasos.** El campo magnético que produce la base multifuncional 12 puede perturbar el funcionamiento de los marcapasos.

- Mantenga la base multifuncional 8 alejado de soportes de datos magnéticos y de aparatos sensibles a los campos magnéticos. La base multifuncional 12 puede provocar una pérdida de datos irreversible.

### Uso y cuidado

**Use la herramienta correcta para la aplicación que vaya a realizar.** La herramienta correcta de medición, detección y disposición hará el trabajo mejor y de manera más segura a la capacidad nominal para la que fue diseñada.

**No utilice la herramienta si el interruptor no la enciende y apaga.** Cualquier herramienta que no se pueda controlar con el interruptor es peligrosa y debe ser reparada.

**Cuando no esté utilizando la herramienta, almacénela fuera del alcance de los niños y no deje que las personas que no estén familiarizadas con ella o con estas instrucciones utilicen la herramienta.** Las herramientas son peligrosas en las manos de los usuarios que no hayan recibido capacitación.

**Mantenga las herramientas. Compruebe si hay piezas desalineadas o que se atoren, si hay piezas rotas y si existe cualquier otra situación que pueda afectar al funcionamiento. Si la**

**herramienta está dañada, se debe reparar antes de utilizarla.** Si la herramienta está dañada, debe ser reparada por el centro de servicio Bosch autorizado antes de seguir usándola. Muchos accidentes son causados por herramientas de medición, detección y disposición mal mantenidas.

**Utilice la herramienta, los accesorios, etc., de acuerdo con estas instrucciones y de la manera prevista para el tipo específico de herramienta, teniendo en cuenta las condiciones de trabajo y el trabajo que se vaya a realizar.** El uso de la herramienta para realizar operaciones distintas a las previstas podría causar una situación peligrosa.

## Servicio

Haga que su herramienta reciba servicio de ajustes y reparaciones por un técnico de reparaciones calificado, utilizando únicamente piezas de repuesto idénticas. Esto asegurará que se mantenga la seguridad de la herramienta.

**Desarrolle un programa de mantenimiento periódico para su herramienta. Cuando limpie una herramienta, tenga cuidado de no desarmar ninguna parte de la herramienta, ya que los cables internos se pueden descolocar o pellizcar, o se pueden montar incorrectamente.**

Ciertos agentes de limpieza, tales como gasolina, tetracloruro de carbono, amoníaco, etc., pueden dañar las piezas de plástico.


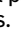
## Uso previsto

El aparato de medición se utiliza para transferencia precisa de plomada punto desde el suelo al techo.

## Preparación

### Inserción y cambio de la pila

Se recomienda utilizar pilas alcalinas de manganeso en el aparato de medición.

Para abrir la tapa del alojamiento de la pila 3 gire el enclavamiento 2 en el sentido de las agujas del reloj a la posición  y retire la tapa. Inserte las pilas que se adjuntan. Respete la polaridad indicada en la parte interior del alojamiento de  las pilas.

Asiente la tapa del alojamiento de las pilas en la parte inferior de la carcasa y empuje la tapa hacia arriba. Gire el enclavamiento 2 en sentido contrario a las agujas del reloj a la posición, para

bloquear la tapa del alojamiento de las pilas.

Si los rayos láser parpadean lentamente durante la operación, ello es señal de que la pila está muy agotada. Desde el momento en que parpadean por primera vez, el aparato de medición puede funcionar todavía aprox. 8 h.

Siempre sustituya todas las pilas al mismo tiempo. Utilice pilas del mismo fabricante e igual capacidad.

- **Saque las pilas del aparato de medida si pretende no utilizarlo durante largo tiempo.** Tras un tiempo de almacenaje prolongado, las pilas se puede llegar a corroer y autodescargar.

## Características

La numeración de los componentes está referida a la imagen del aparato de medición en la página ilustrada.

- 1 Abertura de salida del rayo láser
- 2 Enclavamiento de la tapa del alojamiento de la pila
- 3 Tapa del alojamiento de la pila
- 4 Interruptor de conexión/desconexión
- 5 Señal de aviso láser
- 6 Fijación para trípode 1/4"
- 7 Número de serie
- 8 Base multifuncional
- 9 Tornillo de fijación del base multifuncional
- 10 Orificios de sujeción del base multifuncional
- 11 Guía de la correa

- 12 Imanes
- 13 Fijación para trípode de 1/4" en el base multifuncional
- 14 Fijación para trípode de 5/8" en el base multifuncional
- 15 Placa de objetivo láser\*
- 16 Estuche de protección\*
- 17 Gafas para láser\*
- 18 Trípode\*

\* Los accesorios descritos e ilustrados no corresponden al material que se adjunta de serie. La gama completa de accesorios opcionales se detalla en nuestro programa de accesorios.



## Datos Técnicos

Alcance (típico) . . . . .	100 pies (30m)	Clase de láser. . . . .	2
Precisión de nivelación		Tipo de láser . . . . .	.635 nm, <1 mW
Precisión minimum		Fijación para trípode. . . . .	.1/4-20
d'usine. . . . .	ahasta 1/8 pul a 10 pies	Pilas . . . . .	3 x 1.5 V LR6 (AA)
	(ahasta 3 mm/10 m)	Autonomía aprox . . . . .	24 h
Precisión típica . . . . .	ahasta 1/16 pul a 10 pies	Peso . . . . .	0.5lb (0.25kg)
	(ahasta 2 mm/10 m)	Dimensiones. . . . .	.4-1/8 x 3-1/8 x 1-5/8-pul. (105 x 80 x 42 mm)
Margen de autonivelación típico			
– Eje transversal. . . . .	±3°		
Tiempo de nivelación, típico . . . . .	<3s		
Temperatura de operación . . . . .	14 °F... 104 °F (–10 °C ... +40 °C)		
Temperatura de almacenamiento. . . . .	–4 °F... 158 °F (–20 °C ... +70 °C)		
Humedad relativa máx. . . . .	.90 %		

Preste atención al nº de artículo que figura en la placa de características de su aparato de medida, ya que pueden variar las denominaciones comerciales en ciertos aparatos de medida.

El número de serie **7** grabado en la placa de características permite identificar de forma unívoca el aparato de medida.

## Operación

### Puesta en marcha

- **Proteja el aparato de medida de la humedad y de la exposición directa al sol.**
- **No exponga el aparato de medición ni a temperaturas extremas ni a cambios bruscos de temperatura.** No lo deje, p.ej., en el coche durante un largo tiempo. Si el aparato de medición ha quedado sometido a un cambio fuerte de temperatura, antes de ponerlo en servicio, esperar primero a que se atempere. Las temperaturas extremas o los cambios bruscos de temperatura pueden afectar a la precisión del aparato de medición.
- **Evite las sacudidas o caídas fuertes del aparato de medida.** En caso de que el aparato de medida haya quedado sometido a unas sollicitaciones fuertes exteriores, antes de continuar trabajando con él deberá realizarse una comprobación de la precisión (ver “Precisión de nivelación”). No utilice esta herramienta cuando la cubierta emisora de láser se haya dañado después de un impacto exterior fuerte sobre la herramienta. Muchos accidentes son causados por herramientas de medición, detección y disposición mal mantenidas.
- **Desconecte el aparato de medición cuando vaya a transportarlo.** Al desconectarlo, la unidad del péndulo se inmoviliza, evitándose así que se dañe al quedar sometida a una fuerte agitación.

### Conexión/desconexión

Para la conexión del aparato de medición, deslice hacia arriba el interruptor de conexión/desconexión **4** de manera que en el interruptor aparezca “T”. Nada más conectarlo, el aparato emite un rayo láser por cada una de las aberturas de salida **1**.

- **No oriente el rayo láser contra personas ni animales, ni mire directamente hacia el rayo láser, incluso encontrándose a gran distancia.**

Para la **desconexión** del aparato de medición, deslice hacia abajo el interruptor de conexión/desconexión **4** de manera que aparezca “0” en el interruptor. Para desconectarlo se inmoviliza la unidad del péndulo.

### Ajuste del automatismo de desconexión

Por defecto, el aparato de medición se desconecta automáticamente pasados 20 min desde su conexión.

La desconexión automática puede cambiarse de 20 min a 8 h. Para ello, conecte el aparato de medición, desconéctelo acto seguido, y vuélvalo a conectar dentro de 4 s. Para confirmar dicha modificación, todos los rayos láser parpadean en rápida secuencia durante 2 s al conectarlo la segunda vez.

- **No deje desatendido el aparato de medición estando conectado, y desconéctelo después de cada uso.** El rayo láser podría llegar a deslumbrar a otras personas.

La próxima vez que conecte el aparato de medición, la desconexión automática se encuentra ajustada de nuevo a 20 min.

### Operación con nivelación automática

Coloque el aparato de medición sobre una base horizontal y firme, o fíjelo al soporte **8** o al trípode **18**.

Al conectar el aparato, la nivelación automática compensa automáticamente un desnivel, siempre que éste esté comprendido dentro del margen de autonivelación de ±5° (eje longitudinal) o ±3° (eje transversal). La nivelación puede darse por concluida



en el momento en que dejen de moverse los puntos láser.

Los láser parpadean en rápida secuencia si fuese imposible el nivelado automático, p.ej., si la base de asiento del aparato estuviese inclinada más de  $5^\circ$  o de  $3^\circ$  respecto a la horizontal. En ese caso, coloque horizontalmente el aparato de medición y espere a que se autonivele. En el momento en que el aparato de medición se encuentre dentro del margen de autonivelación de  $\pm 5^\circ$  o  $\pm 3^\circ$  los rayos láser se encienden de nuevo permanentemente.

En el caso de presentarse sacudidas o ligeras variaciones de posición durante la operación,

el aparato de medición se vuelve a nivelar automáticamente. Tras la nivelación verifique nuevamente la posición de los rayos láser respecto a los puntos de referencia para evitar errores debido al desplazamiento del aparato de medición.

### Instrucciones para la operación

- Siempre utilice el centro del haz del láser para marcar un punto. El tamaño del haz del láser varía con la distancia.

## Precisión de nivelación

### Factores que afectan a la precisión

La influencia más fuerte la tiene la temperatura ambiente. Especialmente las variaciones de temperatura que pudieran existir a diferente altura respecto al suelo pueden provocar una desviación del rayo láser.

Ya que las variaciones de temperatura a diferente altura son mayores en las proximidades del suelo, siempre que sea posible, se recomienda montar el aparato de medición sobre un trípode de tipo comercial y colocarlo en el centro de la superficie de trabajo.

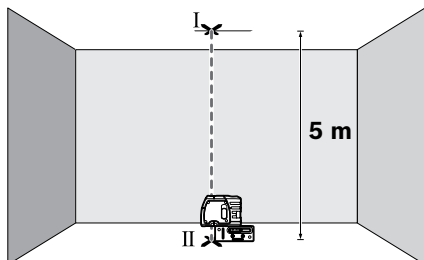
Además de las influencias externas, también aquellas propias del aparato (p.ej. caídas o fuertes golpes) pueden provocar ciertos errores de medición. Por ello, antes de comenzar a trabajar, recomendamos controlar primero la precisión del aparato de medición.

Si en alguna de estas comprobaciones se llega a sobrepasar la desviación máxima admisible, haga reparar el aparato de medición en un servicio técnico Bosch.

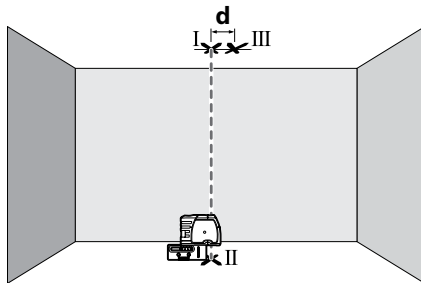
### Comprobación de la precisión de nivelación vertical

Para la comprobación se requiere un tramo libre sobre un firme consistente con una altura de aprox. 5 m entre el suelo y el techo.

- Traza una línea recta en el techo.
- Monte el aparato de medición en el soporte o trípode. Conecte el aparato de medición y gírelo de forma que el rayo de plomada inferior incida contra el suelo.



- Posicione el aparato de medición de manera que el rayo de plomada superior coincida con la línea trazada en el techo. Deje que el aparato de medición se nivele. Marque el centro del punto láser superior sobre la línea del techo (punto I). Además, marque el centro del punto láser inferior sobre el suelo (punto II).



- Gire  $180^\circ$  el aparato de medición. Posiciónelo de manera que el centro del punto láser inferior coincida con el punto II previamente marcado y que el punto láser superior incida contra la línea trazada en el techo. Deje que el aparato de medición se nivele. Marque el centro del punto láser superior sobre la línea del techo (punto III).
- La diferencia d entre ambos puntos I y III marcados en el techo corresponde a la desviación real respecto a la vertical del aparato de medición.

En un tramo de medición de  $2 \times 5 \text{ m} = 10 \text{ m}$ , la desviación máxima admisible es de:

$$10 \text{ m} \times \pm 0,3 \text{ mm/m} = \pm 3 \text{ mm}.$$

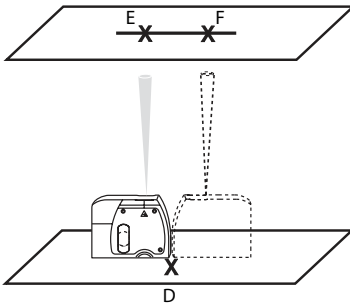
Por lo tanto, la diferencia d entre los puntos I y III deberá ser como máximo de 3 mm.

## Procedimiento de Recalibración

Todos los dispositivos GPL 2 se calibran cuando se procesan a través del programa de control de calidad de Bosch. Este proceso garantiza que el cliente reciba un producto superior que cumple con las especificaciones. Si bien el dispositivo GPL 2 ha sido calibrado antes de ser enviado a nuestros clientes, contiene muchas partes maquinadas de precisión que pueden verse afectadas si el instrumento está sujeto a abuso. Por lo tanto, si el dispositivo se cae o sufre algún impacto, el usuario deberá verificar la calibración siguiendo los pasos que se indican a continuación:

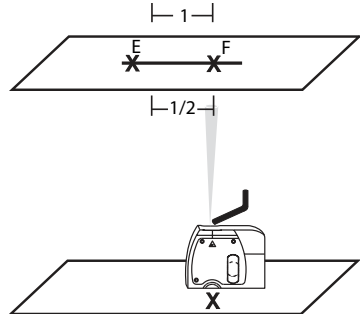
### Calibración de los haces superior e inferior

1. Seleccione el sitio de calibración. Para obtener la calibración más exacta, es mejor usar una distancia de piso/ cielorraso superior a 10' (cuanto mayor es la distancia, mejor es la precisión). Distancia de piso/cielorraso (parte superior de la abertura de la puerta) de aproximadamente 10'.



2. Apague el dispositivo GPL 2.
3. Retire el botón de calibración que se encuentra al costado del dispositivo GPL 2 con un destornillador de tornillos de cabeza plana. Coloque el botón donde no se pierda.
4. Trace una línea recta sobre el cielorraso.
5. Encienda el dispositivo GPL 2.
6. Coloque el dispositivo GPL 2 sobre el piso (sobre su accesorio, de manera tal de poder ver el haz láser inferior sobre el piso).

7. Alinee el dispositivo GPL 2 de manera tal que el haz láser superior toque la línea del cielorraso.
8. Marque el haz láser inferior sobre el suelo como Marca D. Marque el haz láser superior sobre el cielorraso como Marca E.
9. Gire el dispositivo GPL 2 180 grados y alinee el haz inferior con la marca sobre el suelo.



10. Marque el haz superior sobre el cielorraso como Marca F. Debe haber dos marcas en el cielorraso.
11. Compare las dos marcas en el cielorraso. Si ambas están en el mismo punto, no será necesario calibrar la unidad. De lo contrario, proceda hasta el paso 12.
12. Apague el dispositivo GPL 2.
13. Inserte la llave Allen de 2 mm en el puerto de calibración lateral. El objetivo es hacer que el haz láser quede a mitad de camino entre ambas marcas del cielorraso. Gire la llave Allen en sentido horario o antihorario para mover el haz láser.
14. Encienda el dispositivo GPL 2 y verifique la posición del haz para ver si se encuentra exactamente a medio camino entre las marcas del cielorraso. Si el haz no está posicionado correctamente, repita los pasos 12 a 14 hasta que se encuentre en la posición correcta.
15. Coloque el botón de calibración lateral en el dispositivo GPL 2.
16. Se acaba de completar la calibración.

## Aplicaciones

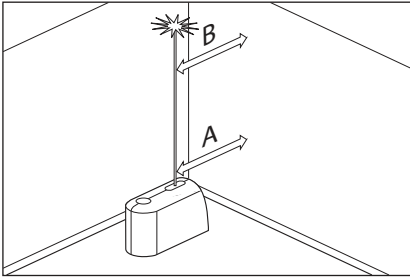
### Verticalización de una superficie

1. Posicione el dispositivo GPL 2 próximo a la superficie que deba verticalizarse a plomada.
2. Encienda el dispositivo GPL 2.
3. Mida la distancia A en un punto relativamente cercano al dispositivo GPL 2 y anote la distancia.
4. Mida la distancia B en un punto más lejano del dispositivo GPL 2 y anote la distancia.

**Nota:** Cuanto mayor sea la distancia entre ambos puntos de medición, mayor será la precisión.

5. Compare la distancia A con la B. Si la primera es igual a la segunda, la superficie estará verticalizada. De lo contrario, no lo estará y deberá corregirse.

#### Plomadas

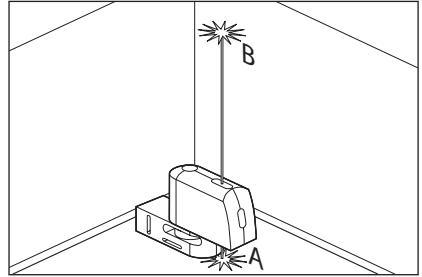


### Transferencia de puntos con el haz de plomada

1. Marque el punto que deba transferirse (rotulado como A en esta ilustración).
2. Use el accesorio de montaje o un trípode para posicionar el haz inferior de plomada sobre el punto A.
3. El haz superior de plomada transferirá este punto a lo largo de un eje perfectamente vertical hasta el punto B.
4. Marque el punto B.

**Nota:** Puede invertirse dicho proceso.

#### Transferencia de plomadas



## Utilice con accesorios especial

Para fijar el aparato de medición al base multifuncional **8** enrosque el tornillo de sujeción **9** del base multifuncional en la fijación para trípode de  $1/4"$  **6** del aparato de medición. Para girar el aparato de medición sobre el base multifuncional afloje ligeramente el tornillo **9**.

- Gire el aparato de medición sobre el base multifuncional **8** hacia un lado o hacia atrás para que sea visible el rayo de plomada inferior.
- Gire el aparato de medición sobre el base multifuncional **8** para trazar alturas con el rayo láser horizontal.

El base multifuncional **8** le permite fijar el aparato de medición de las siguientes maneras:

- Sujete el base multifuncional **8** con la fijación para trípode de  $1/4"$  **13** al trípode **18** o a un trípode fotográfico usual en el comercio. Para sujetarlo a un trípode de construcción de tipo comercial utilice la fijación para trípode de  $5/8"$  **14**.
- Sobre piezas de acero, el base multifuncional **8** puede fijarse con el imán **12**.
- En paredes de pladur o madera, el base multifuncional **8** puede sujetarse con tornillos. Inserte tornillos de una longitud mínima de 50

mm por los orificios de sujeción **10** del base multifuncional.

- A tubos o piezas similares, el base multifuncional **8** puede fijarse con una correa de tipo comercial, que deberá pasarse por la guía **11**.

### Operación con trípode (acesorio especial)

Un trípode **18** constituye una base de medición estable ajustable en altura. Encare la fijación para trípode **6** del aparato de medición con la rosca de  $1/4"$  del trípode, y sujételo apretando el tornillo de fijación.

### Aplicación de la placa de medición (acesorio especial)

Con la placa de medición **15** puede Vd. transferir la posición del ayo láser contra el suelo, o bien, el nivel de altura del láser sobre una pared.

Con el espacio existente en el punto de cero, más la escala, puede medirse la diferencia existente respecto a la altura deseada y transferirse así a otro punto. Ello hace innecesario el ajuste exacto del aparato de medida a la altura deseada.

La placa de medición **15** dispone de un recubrimiento reflectante que hace más perceptible el rayo láser a distancias más grandes o con sol intenso. La mayor intensidad luminosa solamente es apreciable mirando paralelamente a lo largo del rayo láser hacia la placa de medición.

### **Gafas para láser (accesorio especial)**

Las gafas para láser filtran la luz del entorno. Ello permite apreciar con mayor intensidad la luz roja del láser.

- **No use las gafas para láser como gafas de protección.** Las gafas para láser le ayudan a detectar mejor el rayo láser, pero no le protegen de la radiación láser.
- **No emplee las gafas para láser como gafas de sol ni para circular.** Las gafas para láser no le protegen suficientemente contra los rayos ultravioleta y además no le permiten apreciar correctamente los colores.

## **Mantenimiento y servicio**

Solamente guarde y transporte el aparato de medida en el estuche de protección adjunto.

Mantenga limpio siempre el aparato de medida.

No sumerja el aparato de medición en agua ni en otros líquidos.

Limpia el aparato con un paño húmedo y suave. No usar detergentes ni disolventes.

Limpie con regularidad sobre todo el área en torno a la abertura de salida del láser, cuidando que no queden motas.

Si a pesar de los esmerados procesos de fabricación y control, el aparato de medida llegase a averiarse, la reparación deberá encargarse a un taller de servicio autorizado para herramientas eléctricas Bosch.

Al realizar consultas o solicitar piezas de repuesto, es imprescindible indicar siempre el n° de artículo de 10 dígitos que figura en la placa de características del aparato de medida.

En caso de una reparación, envíe el aparato en el estuche de protección **16**.

### **PROTECCIÓN AMBIENTAL**

Recicle las materias primas y las baterías en lugar de desecharlas como desperdicios. La unidad, los accesorios, el empaquetamiento y las baterías usadas se deben separar para reciclarlos de manera respetuosa con el medio ambiente, de acuerdo con los reglamentos más recientes.



## GARANTÍA LIMITADA PARA PRODUCTOS DE HERRAMIENTAS LÁSER Y DE MEDICIÓN BOSCH

Robert Bosch Tool Corporation (el "Vendedor") garantiza, solamente al comprador original, que todas las herramientas láser y de medición Bosch estarán libres de defectos de material o de fabricación durante un período de un (1) año a partir de la fecha de compra. Bosch extenderá la cobertura de garantía a dos (2) años cuando usted registre su producto dentro del plazo de ocho (8) semanas a partir de la fecha de compra. La tarjeta de registro del producto debe ser completada y enviada por correo a Bosch (sellada por la oficina de correos dentro del plazo de ocho semanas después de la compra), o usted puede registrar su producto por Internet en [www.boschtools.com/Service/ProductRegistration](http://www.boschtools.com/Service/ProductRegistration). Si decide no registrar su producto, al mismo se le aplicará una garantía limitada de un (1) año.

### **Reembolso de devolución del dinero o reemplazo durante 30 días:**

Si no está completamente satisfecho con el rendimiento de sus herramientas láser y de medición, por cualquier motivo, puede devolver el producto a su distribuidor Bosch dentro del plazo de 30 días a partir de la fecha de compra para obtener un reembolso completo o un reemplazo. Para obtener este reembolso o reemplazo dentro del plazo de 30 días, su devolución debe estar acompañada por el recibo de compra original del producto tipo láser o instrumento óptico. Se permitirá un máximo de 2 devoluciones por cliente.

LA OBLIGACIÓN EXCLUSIVA DEL VENDEDOR Y EL RECURSO EXCLUSIVO QUE USTED TIENE bajo esta Garantía Limitada y, en hasta donde la ley lo permita, cualquier garantía o condición implícita por ley, consistirán en la reparación o el reemplazo de las piezas, sin cargo, que presenten defectos de material o de fabricación y que no hayan sido utilizadas incorrectamente, manejadas descuidadamente o reparadas incorrectamente por personas que no sean el Vendedor o un Centro de Servicio Autorizado. Para presentar un reclamo bajo esta Garantía Limitada, usted debe devolver la herramienta láser o de medición Bosch completa, con el transporte prepago, a cualquier Centro de Servicio de Fábrica o Centro de Servicio Autorizado BOSCH. Sírvase incluir un comprobante de compra fechado con su herramienta. Para averiguar las ubicaciones de los centros de servicio cercanos, sírvase usar nuestro localizador de servicio por Internet o llamar al 1-877-267-2499.

ESTE PROGRAMA DE GARANTÍA NO SE APLICA A LOS TRÍPODES NI A LAS VARILLAS. Robert Bosch Tool Corporation (el "Vendedor") garantiza los trípodes y las varillas niveladoras durante un período de un (1) año a partir de la fecha de compra.

ESTA GARANTÍA LIMITADA NO SE APLICA A OTROS ARTÍCULOS ACCESORIOS NI ARTÍCULOS RELACIONADOS. ESTOS ARTÍCULOS RECIBEN UNA GARANTÍA LIMITADA DE 90 DÍAS.

Para presentar un reclamo bajo esta Garantía Limitada, usted debe devolver el producto completo, con el transporte prepago. Para obtener detalles con el fin de presentar un reclamo bajo esta Garantía Limitada, sírvase visitar [www.boschtools.com](http://www.boschtools.com) o llamar al 1-877-267-2499.

TODAS LAS GARANTÍAS IMPLÍCITAS ESTARÁN LIMITADAS EN DURACIÓN A UN AÑO A PARTIR DE LA FECHA DE COMPRA. ALGUNOS ESTADOS DE LOS EE.UU. Y ALGUNAS PROVINCIAS CANADIENSES NO PERMITEN LIMITACIONES EN CUANTO A LA DURACIÓN DE UNA GARANTÍA IMPLÍCITA, POR LO QUE ES POSIBLE QUE LA LIMITACIÓN QUE ANTECEDE NO TENGA APLICACIÓN EN EL CASO DE USTED.

EL VENDEDOR NO SERÁ RESPONSABLE EN NINGÚN CASO POR DAÑOS INCIDENTALES O EMERGENTES (INCLUYENDO PERO SIN ESTAR LIMITADOS A RESPONSABILIDAD POR PÉRDIDA DE UTILIDADES) QUE SURJAN DE LA VENTA DE ESTE PRODUCTO. ALGUNOS ESTADOS DE LOS EE.UU. Y ALGUNAS PROVINCIAS CANADIENSES NO PERMITEN LA EXCLUSIÓN NI LA LIMITACIÓN DE LOS DAÑOS INCIDENTALES O EMERGENTES, POR LO QUE ES POSIBLE QUE LA LIMITACIÓN QUE ANTECEDE NO TENGA APLICACIÓN EN EL CASO DE USTED.

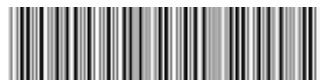
ESTA GARANTÍA LIMITADA LE CONFIERE A USTED DERECHOS LEGALES ESPECÍFICOS Y ES POSIBLE QUE USTED TENGA TAMBIÉN OTROS DERECHOS QUE VARIÁN DE UN ESTADO A OTRO EN LOS EE.UU. O DE UNA PROVINCIA A OTRA EN CANADÁ Y DE UN PAÍS A OTRO.

ESTA GARANTÍA LIMITADA SE APLICA SÓLO A LOS PRODUCTOS VENDIDOS EN LOS ESTADOS UNIDOS DE AMÉRICA, CANADÁ Y LA MANCOMUNIDAD DE PUERTO RICO. PARA OBTENER COBERTURA DE GARANTÍA EN OTROS PAÍSES, CONTACTE A SU DISTRIBUIDOR O IMPORTADOR BOSCH LOCAL.





© Robert Bosch Tool Corporation 1800 W. Central Road Mt. Prospect, IL 60056-2230  
Exportado por: Robert Bosch Tool Corporation Mt. Prospect, IL 60056-2230, E.U.A.  
Importado en México por: Robert Bosch, S.A. de C.V., Calle Robert Bosch No. 405, Zona Industrial,  
Toluca, Edo. de México, C.P. 50070, Tel. (722) 2792300





## Free Manuals Download Website

<http://myh66.com>

<http://usermanuals.us>

<http://www.somanuals.com>

<http://www.4manuals.cc>

<http://www.manual-lib.com>

<http://www.404manual.com>

<http://www.luxmanual.com>

<http://aubethermostatmanual.com>

Golf course search by state

<http://golfingnear.com>

Email search by domain

<http://emailbydomain.com>

Auto manuals search

<http://auto.somanuals.com>

TV manuals search

<http://tv.somanuals.com>