

53-1002580-01
9 May 2012



Brocade 6910 Ethernet Access Switch Hardware Installation Guide

BROCADE

Copyright © 2012 Brocade Communications Systems, Inc. All Rights Reserved.

Brocade, the B-wing symbol, BigIron, DCX, Fabric OS, FastIron, NetIron, SAN Health, ServerIron, and Turbolron are registered trademarks, and Brocade Assurance, Brocade NET Health, Brocade One, CloudPlex, MLX, VCS, VDX, and When the Mission Is Critical, the Network Is Brocade are trademarks of Brocade Communications Systems, Inc., in the United States and/or in other countries. Other brands, products, or service names mentioned are or may be trademarks or service marks of their respective owners.

Notice: This document is for informational purposes only and does not set forth any warranty, expressed or implied, concerning any equipment, equipment feature, or service offered or to be offered by Brocade. Brocade reserves the right to make changes to this document at any time, without notice, and assumes no responsibility for its use. This informational document describes features that may not be currently available. Contact a Brocade sales office for information on feature and product availability. Export of technical data contained in this document may require an export license from the United States government. The authors and Brocade Communications Systems, Inc. shall have no liability or responsibility to any person or entity with respect to any loss, cost, liability, or damages arising from the information contained in this book or the computer programs that accompany it.

The product described by this document may contain "open source" software covered by the GNU General Public License or other open source license agreements. To find out which open source software is included in Brocade products, view the licensing terms applicable to the open source software, and obtain a copy of the programming source code, please visit <http://www.brocade.com/support/oscd>.

Brocade Communications Systems, Incorporated

Corporate and Latin American Headquarters
Brocade Communications Systems, Inc.
130 Holger Way
San Jose, CA 95134
Tel: 1-408-333-8000
Fax: 1-408-333-8101
E-mail: info@brocade.com

Asia-Pacific Headquarters
Brocade Communications Systems China HK, Ltd.
No. 1 Guanghua Road
Chao Yang District
Units 2718 and 2818
Beijing 100020, China
Tel: +8610 6588 8888
Fax: +8610 6588 9999
E-mail: china-info@brocade.com

European Headquarters
Brocade Communications Switzerland Sàrl
Centre Swissair
Tour B - 4ème étage
29, Route de l'Aéroport
Case Postale 105
CH-1215 Genève 15
Switzerland
Tel: +41 22 799 5640
Fax: +41 22 799 5641
E-mail: emea-info@brocade.com

Asia-Pacific Headquarters
Brocade Communications Systems Co., Ltd. (Shenzhen WFOE)
Citic Plaza
No. 233 Tian He Road North
Unit 1308 - 13th Floor
Guangzhou, China
Tel: +8620 3891 2000
Fax: +8620 3891 2111
E-mail: china-info@brocade.com

Document History

Title	Publication number	Summary of changes	Date
<i>Brocade 6910 Ethernet Access Switch Hardware Installation Guide</i>	53-1002345-01	New document	December 2011
<i>Brocade 6910 Ethernet Access Switch Hardware Installation Guide</i>	53-1002345-02	Updated package contents	January 2012
<i>Brocade 6910 Ethernet Access Switch Hardware Installation Guide</i>	53-1002345-03	Updated Cautions and Dangers appendices	February 2012
<i>Brocade 6910 Ethernet Access Switch Hardware Installation Guide</i>	53-1002580-01	Updated formatting	May 2012

Contents

About This Document

Audience	xi
Supported hardware and software	xi
Document conventions	xi
Text formatting	xi
Notes, cautions, and danger notices	xii
Related publications	xii
Getting technical help or reporting errors	xiii

Chapter 1

Introduction

Overview	1
Switch Architecture	3
Network Management Options	3
Description of Hardware	4
SFP Slots	4
10/100/1000BASE-T Ports	5
10/100/1000BASE-T Management Port (The Craft Interface)	5
Console Port	5
Alarm Interface Port	5
Port and System Status LEDs	5
Power Supply Sockets	7

Chapter 2

Installing the Switch

Selecting a Site	9
Ethernet Cabling	10
Equipment Checklist	10
Package Contents	10
Mounting	11
Desktop or Shelf Mounting	11
Rack Mounting	11
Installing an Optional SFP Transceiver	13
Grounding the Chassis	13
Connecting to a Power Source	14
Connecting DC Power	15
Connecting AC Power	18
Connecting to the Console Port	18
Wiring Map for Serial Cable	19

	Connecting to the Alarm Port	20
	Wiring Map for Alarm Cable.	20
Chapter 3	Making Network Connections	
	Connecting Network Devices	23
	Twisted-Pair Devices	23
	Cabling Guidelines.	23
	Connecting to PCs, Servers, Hubs and Switches.	23
	Fiber Optic Devices	24
Appendix A	Troubleshooting	
	Diagnosing Switch Indicators	25
	In-Band Access	25
Appendix B	Cables	
	Twisted-Pair Cable and Pin Assignments.	27
	10BASE-T/100BASE-TX Pin Assignments.	27
	Straight-Through Wiring	28
	Crossover Wiring	28
	1000BASE-T Pin Assignments.	29
	Cable Testing for Existing Category 5 Cable.	29
	Adjusting Existing Category 5 Cabling to Run 1000BASE-T	30
	Fiber Standards	30
Appendix C	Specifications	
	Physical Characteristics	31
	Ports	31
	Network Interface	31
	Buffer Architecture.	31
	Aggregate Bandwidth.	31
	Switching Database.	31
	LEDs	31
	Weight.	31
	Size	32
	Temperature.	32
	Humidity	32
	AC Input	32
	DC Input	32
	Power Supply	32
	Power Consumption.	32
	Maximum Current	32
	Switch Features.	32
	Forwarding Mode	32
	Throughput.	33
	Flow Control	33

	Management Features	33
	In-Band Management	33
	Out-of-Band Management	33
	Software Loading	33
	Standards	33
	Compliances	33
	Emissions	33
	Immunity	34
	Safety	34
Appendix D	Caution and Danger Notices 1	
	English / French	35
	Cautions	35
	Dangers	37
Appendix E	Caution and Danger Notices 2	
	German / Spanish / Chinese	41
	Cautions	41
	Dangers	44
	Spanish (only)	46
	Chinese (Traditional)	52
	Taiwan BSMI Statement	60
	Chinese (Simplified)	61
Appendix F	Glossary	
Index		

Figures

Figure 1	GbE ACCESS RINGS	1
Figure 2	FRONT PANEL Brocade 6910 Switch	2
Figure 3	FRONT PANEL Brocade 6910 Switch	2
Figure 4	SIDE PANEL	3
Figure 5	REAR PANEL	3
Figure 6	PORT AND SYSTEM LEDs	6
Figure 7	Brocade 6910 Switch - AC Power Supply Sockets	7
Figure 8	Brocade 6910 Switch-DC Power Supply Sockets	7
Figure 9	RJ-45 CONNECTIONS	10
Figure 10	ATTACHING THE ADHESIVE FEET	11
Figure 11	ATTACHING THE BRACKETS	12
Figure 12	INSTALLING THE SWITCH IN A RACK	12
Figure 13	INSTALLING AN OPTIONAL SFP TRANSCEIVER	13
Figure 14	GROUNDING POINT	14
Figure 15	DC PLUG CONNECTIONS	16
Figure 16	DC PLUG CONNECTIONS 2	17
Figure 17	AC POWER SOCKETS	18
Figure 18	CONSOLE CABLE	19
Figure 19	ALARM PORT (D-15) PIN OUT	20
Figure 20	EXTERNAL ALARM I/O CONNNECTORS	21
Figure 21	MAKING CONNECTIONS TO SFP TRANSCEIVERS	24
Figure 22	RJ-45 CONNECTOR PIN NUMBERS	27
Figure 23	STRAIGHT-THROUGH WIRING	28
Figure 24	CROSSOVER WIRING	29

Tables

Table 1	SYSTEM STATUS LEDs	6
Table 2	1000 Mbps PORT STATUS / SFP LEDs (1~12)	7
Table 3	SERIAL CABLE WIRING	19
Table 4	SYSTEM STATUS LEDs	20
Table 5	TROUBLESHOOTING CHART	25
Table 6	10/100BASE-TX MDI and MDI-X PORT PINOUTS	28
Table 7	1000BASE-T MDI and MDI-X PORT PINOUTS	29
Table 8	FIBER STANDARDS	30

About This Document

In this chapter

- Audience. xi
- Supported hardware and software. xi
- Document conventions xi
- Related publications xii
- Related publications xii
- Getting technical help or reporting errors xiii

Audience

This document is designed for system administrators with a working knowledge of Layer 2 and Layer 3 switching and routing.

If you are using a Brocade Layer 3 Switch, you should be familiar with the following protocols if applicable to your network: IP, RIP, OSPF, BGP, ISIS, IGMP, PIM, and VRRP.

Supported hardware and software

This guide describes software release 2.1.0.x of the Brocade 6910 Ethernet Access Switch.

Document conventions

This section describes text formatting conventions and important notice formats used in this document.

Text formatting

The narrative-text formatting conventions that are used are as follows:

bold text	Identifies command names Identifies the names of user-manipulated GUI elements Identifies keywords Identifies text to enter at the GUI or CLI
<i>italic text</i>	Provides emphasis Identifies variables Identifies document titles
code text	Identifies CLI output

For readability, command names in the narrative portions of this guide are presented in bold: for example, **show version**.

Notes, cautions, and danger notices

The following notices and statements are used in this manual. They are listed below in order of increasing severity of potential hazards.

NOTE

A note provides a tip, guidance or advice, emphasizes important information, or provides a reference to related information.



CAUTION

A Caution statement alerts you to situations that can be potentially hazardous to you or cause damage to hardware, firmware, software, or data.



DANGER

A Danger statement indicates conditions or situations that can be potentially lethal or extremely hazardous to you. Safety labels are also attached directly to products to warn of these conditions or situations.

Related publications

The following Brocade documents supplement the information in this guide:

- *Brocade 6910 Ethernet Access Switch Configuration Guide*
- *Brocade 6910 Ethernet Access Switch MIB Reference*
- *Brocade 6910 Ethernet Access Switch Diagnostic Guide*

NOTE

For the latest edition of these documents, which contain the most up-to-date information, go to <http://www.brocade.com/ethernetproducts>.

Getting technical help or reporting errors

If you need assistance, contact Brocade. Go to <http://www.brocade.com/services-support/index.page> for the latest e-mail and telephone contact information.

About This Document

Introduction

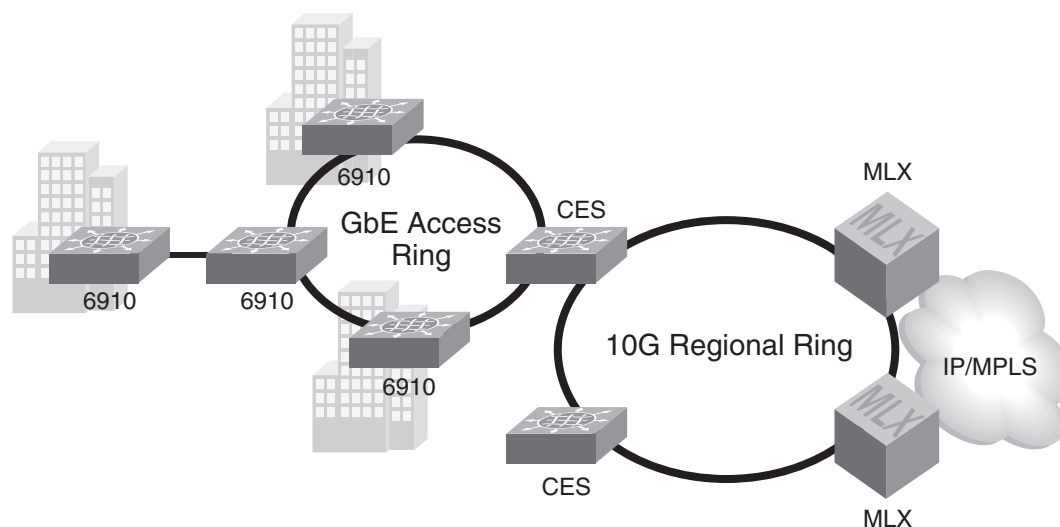
In this chapter

- [Overview](#) 1
- [Network Management Options](#) 3
- [Description of Hardware](#) 4

Overview

The Brocade 6910 Ethernet Access Switches are carrier grade access switches that meet the requirements for nonstop networking with Layer 2 services. Each platform provides dual power input for redundancy and has been architected with the state of the art hardware design and field proven operating system for reliability and resiliency. Brocade 6910 switches support multiple fiber or copper configurations on a single switch using a 12 Gigabit combination RJ-45/SFP ports. Brocade 6910 allows the same ports to be configured to connect directly to the customer or as network interface on the service side. This ideally positions the Brocade 6910 at the edge of a broadband access network for Ethernet service demarcation, extension and aggregation.

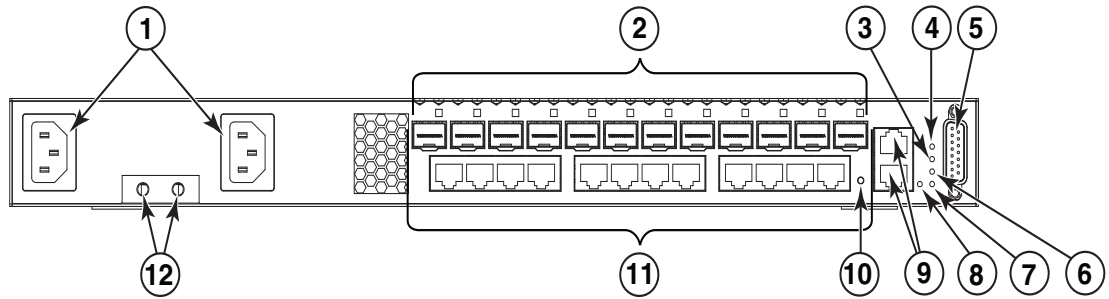
FIGURE 1 GbE ACCESS RINGS



The switches have a 1000BASE-T port for dedicated management access (which can be operated outside the data channel). It has an SNMP-based management agent embedded on the main board, which supports both in-band and out-of-band access using a Web browser, SNMP/RMON, or Telnet.

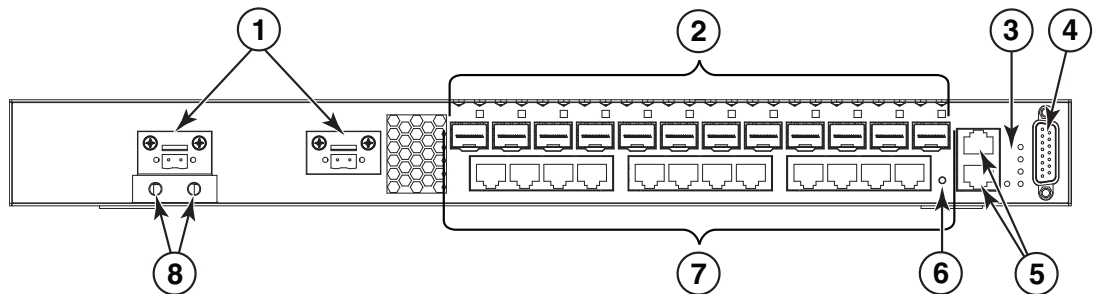
1 Overview

FIGURE 2 FRONT PANEL Brocade 6910 Switch



1. AC Input
2. Port Status LEDs
3. Minor Alarm LED
4. Major Alarm LED
5. Alarm Port
6. Diag LED
7. Power LED
8. Mgmt LED
9. RJ-45 Console & Management Ports
10. Reset Button
11. Combination RJ-45/SFP Ports
12. Grounding Points

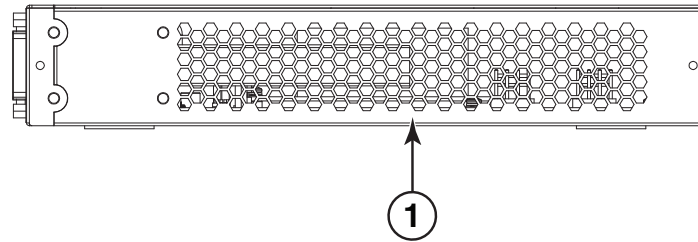
FIGURE 3 FRONT PANEL Brocade 6910 Switch



1. DC Input
2. Port Status LEDs
3. System Status LEDs
4. Alarm Port
5. RJ-45 Console & Management Ports
6. Reset Button
7. Combination RJ-45/SFP Ports

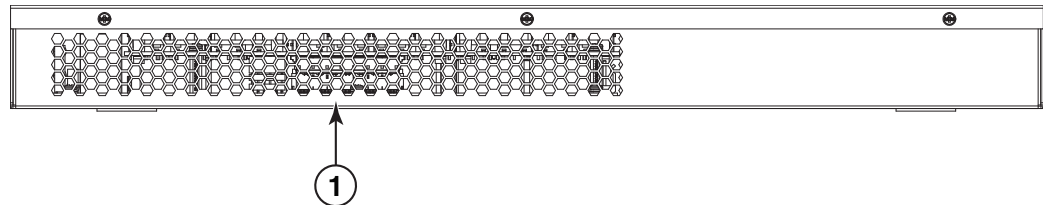
8. Grounding Points

FIGURE 4 SIDE PANEL



1. Ventilation

FIGURE 5 REAR PANEL



1. Ventilation

Switch Architecture

These switches employ a wire-speed, non-blocking switching fabric. This permits simultaneous wire-speed transport of multiple packets at low latency on all ports.

Network Management Options

These switches contain a comprehensive array of LEDs for “at-a-glance” monitoring of network and port status. They also include a management agent that allows you to configure or monitor the switch using its embedded management software, or through SNMP applications. To manage the switch, you can make a direct connection to the console port (out-of-band), or you can manage the switch through a network connection (in-band) using Telnet, SSH, the on-board web agent, or SNMP-based network management software.

The switch management port (RJ-45) provides a dedicated management channel that operates outside of the data transport network. This makes it possible to re-configure or troubleshoot the switch over either a local or remote connection to the port when access through the data channel is not possible or deemed insecure.

For a detailed description of the switch’s advanced features, refer to the *Brocade 6910 Ethernet Access Switch Configuration Guide*.

Description of Hardware

The Brocade 6910 switches consist of two model types, one hardened for extended temperature range environments, the other non-hardened for standard temperature range environments:

- Standard temperature range switches for 0 to +50 °C:
 - BR-6910-EA-AC
 - BR-6910-EA-DC
- Extended temperature range switches for -40 to +65 °C:
 - BR-6910-EA-H-AC
 - BR-6910-EA-H-DC

SFP Slots

The 12 Small Form Factor Pluggable (SFP) transceiver slots are shared with 12 RJ-45 ports. In its default configuration, if an SFP transceiver (purchased separately) is installed in a slot and has a valid link on its port, the associated RJ-45 port is disabled and cannot be used. The switch can also be configured to force the use of an RJ-45 port or SFP slot, as required.

There are two types of SFP transceivers - one hardened that can operate at temperatures between -40 to +65 °C, and non-hardened that can operate at temperatures between 0 to +50 °C.

The SFP slots support the following SFP transceivers:

- Standard temperature range optics (0 to +50 °C)
 - 100Base-SX (OM) 33225-100
 - 100Base-LX (OM) 33226-100
 - 1000Base-SX (OM) 33210-100
 - 1000Base-LX (OM) 33211-100
 - 1000Base-LHA (OM) 33212-100
 - 1000Base-LHB 33004-000
 - 1000Base-BXU 33006-000
 - 1000Base-BXD 33005-000
 - 1000Base-CWDM
- Extended temperature range optics (-40 to +65 °C)
 - 100Base-FX (OM) 33224-100
 - 1000Base-SX (OM)
 - 1000Base-LX (OM)
 - 1000Base-LHA (OM)

For information on the recommended standards for fiber optic cabling, see [“Fiber Optic Devices”](#) on page 24.

10/100/1000BASE-T Ports

The switches contain 12 1000BASE-T RJ-45 ports that operate at 10 Mbps or 100 Mbps, half or full duplex, or at 1000 Mbps, full duplex. Because all of the RJ-45 ports support automatic MDI/MDI-X operation, you can use straight-through cables for all network connections to PCs or servers, or to other switches or hubs. (See [“1000BASE-T Pin Assignments”](#) on page 29.)

Each of these ports support auto-negotiation, so the optimum transmission mode (half or full duplex), and data rate (10, 100 or 1000 Mbps) can be selected automatically. If a device connected to one of these ports does not support auto-negotiation, the communication mode of that port can be configured manually. Each port also supports auto-negotiation of flow control, so the switch can automatically prevent port buffers from becoming saturated.

10/100/1000BASE-T Management Port (The Craft Interface)

The 10/100/1000BASE-T port provides a dedicated management interface that is segregated from the data traffic crossing the other ports. This port supports auto-negotiation, so the optimum transmission mode (half or full duplex) and data rate (10, 100, or 1000 Mbps) can be selected automatically, if this feature is also supported by the attached device. However, note that the interface connection parameters of this port cannot be configured.

Console Port

The console port on the switch's front panel is an RJ-45 connector that enables a connection to a terminal for performing switch monitoring and configuration functions. The terminal may be a PC or workstation running terminal emulation software, or a terminal configured as a Data Terminal Equipment (DTE) connection. A null-modem wired serial cable is supplied with the switch for connecting to this interface.

It is recommended that you use the cable provided with the box.

Flow control must be disabled to use the console port and port speed is 9600-N-8-1

Alarm Interface Port

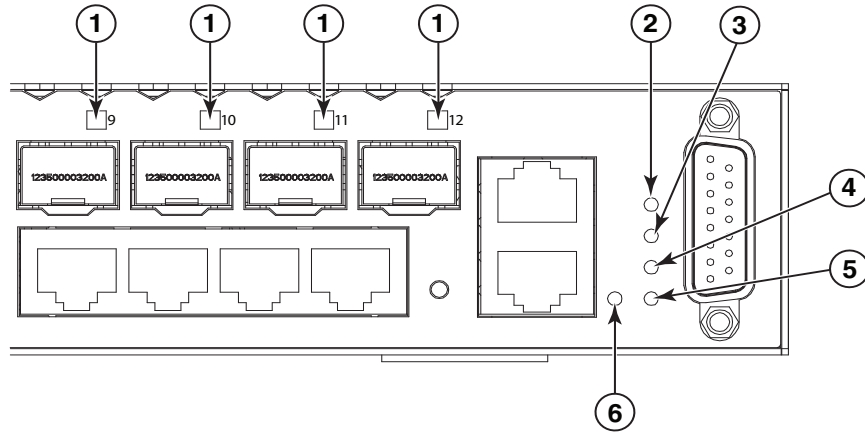
The DB-15 alarm port on the switch's front panel can be used to provide alarm, service port, and BITS clock reference interfaces. The switch supports two sets of alarm relay contacts (major and minor), and 4 external customer site alarm inputs. It also provides an alarm cutoff button (labeled ACO). Refer to [“Connecting to the Alarm Port”](#) on page 20 for a description of the pin assignments used to connect to the alarm port.

Port and System Status LEDs

This switch includes a display panel for key system and port indications that simplifies installation and troubleshooting. The LEDs, which are located on the front panel for easy viewing, are shown below and described in the following tables.

1 Description of Hardware

FIGURE 6 PORT AND SYSTEM LEDs



1. Port Status LEDs
2. Major Alarm LED
3. Minor Alarm LED
4. Diag LED
5. Power LED
6. Mgmt LED

TABLE 1 SYSTEM STATUS LEDs

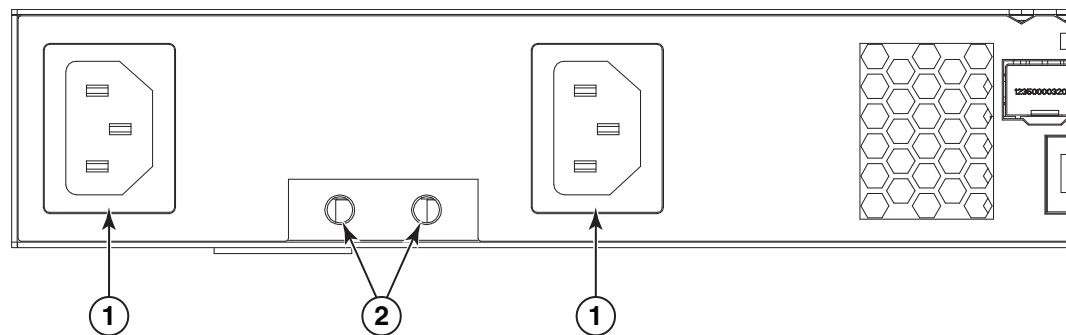
LED	Condition	Status
Major Alarm	Green	Indicates presence within the system of one or more major traffic-affecting system alarm(s) that are not masked by the alarm filter.
	Off	System is operating normally.
Minor Alarm	Green	Indicates presence within the system of one or more minor traffic-affecting system alarm(s) that are not masked by the alarm filter.
	Off	System is operating normally.
Diag	Amber	System self-diagnostic is in progress.
	Green	System self-diagnostic test successfully completed.
Mgmt	Green	The management port has a valid 1000BASE-T link.
	Flashing Green	Flashing indicates 1000BASE-T activity on the port.
	Amber	The management port has a valid 10/100BASE-TX link.
	Flashing Amber	Flashing indicates 10/100BASE-TX activity on the port.
	Off	The link is down.
Power	Green	DC or AC power is functioning normally.
	Off	External power not connected or has failed.

TABLE 2 1000 Mbps PORT STATUS / SFP LEDs (1 ~ 12)

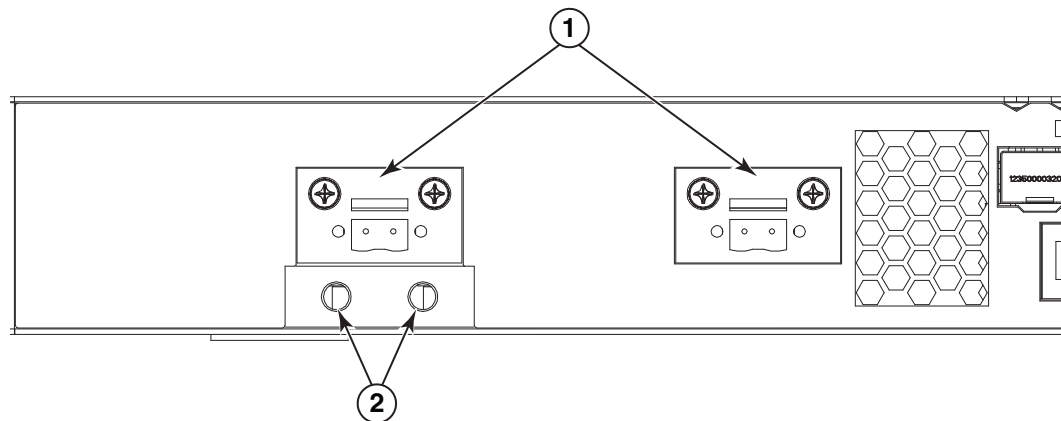
LED	Condition	Status
Port Status (1~12)	On/Flashing Green	Port has established a valid 1000 Mbps network connection. Flashing indicates activity.
	On/Flashing Amber	Port has established a valid 10/100 Mbps network connection. Flashing indicates activity.
	Off	There is no valid link on the port.

Power Supply Sockets

There are two power sockets on the front panel of each switch, as well as two grounding points for each power supply inlets.

FIGURE 7 Brocade 6910 Switch - AC Power Supply Sockets

1. AC Power Socket
2. Grounding Points

FIGURE 8 Brocade 6910 Switch-DC Power Supply Sockets

1. DC Power Socket
2. Grounding Points

1 Description of Hardware

Installing the Switch



CAUTION

Procedures are for qualified service personnel only.

In this chapter

- [Selecting a Site](#) 9
- [Ethernet Cabling](#) 10
- [Equipment Checklist](#) 10
- [Mounting](#) 11
- [Installing an Optional SFP Transceiver](#) 13
- [Grounding the Chassis](#) 13
- [Connecting to a Power Source](#) 14
- [Connecting to the Console Port](#) 18
- [Connecting to the Alarm Port](#) 20

Selecting a Site

Switch units can be mounted in a standard 19-inch equipment rack or on a flat surface. Be sure to follow the guidelines below when choosing a location.

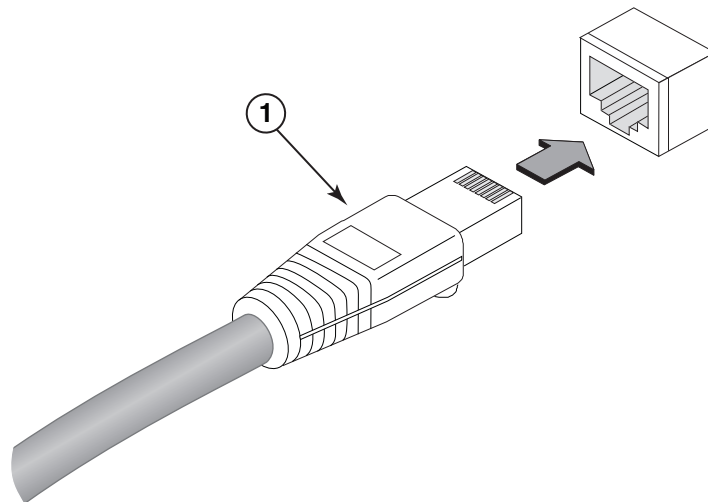
- The site should:
 - be at the center of all the devices you want to link and near a power outlet.
 - be able to maintain its temperature within -40 to 65 °C (-40 to 149°F) and its humidity within 10% to 90%, non-condensing
 - provide adequate space (approximately two inches) on all sides for proper air flow
 - be accessible for installing, cabling and maintaining the devices
 - allow the status LEDs to be clearly visible
- Make sure twisted-pair cable is always routed away from power lines, fluorescent lighting fixtures and other sources of electrical interference, such as radios and transmitters.
- Make sure that the unit is connected to a separate grounded power outlet that provides 100 to 240 VAC, 50 to 60 Hz, is within 2 m (6.6 feet) of each device and is powered from an independent circuit breaker. As with any equipment, using a filter or surge suppressor is recommended.

Ethernet Cabling

To ensure proper operation when installing the switch into a network, make sure that the current cables are suitable for 10BASE-T, 100BASE-TX or 1000BASE-T operation. Check the following criteria against the current installation of your network:

- Cable type: Unshielded twisted pair (UTP) or shielded twisted pair (STP) cables with RJ-45 connectors; Category 3 or better for 10BASE-T, Category 5 or better for 100BASE-TX, and Category 5, 5e or 6 for 1000BASE-T.
- Protection from radio frequency interference emissions
- Electrical surge suppression
- Separation of electrical wires (switch related or other) and electromagnetic fields from data based network wiring
- Safe connections with no damaged cables, connectors or shields

FIGURE 9 RJ-45 CONNECTIONS



1. RJ-45 Connector

Equipment Checklist

After unpacking this switch, check the contents to be sure you have received all the components. Then, before beginning the installation, be sure you have all other necessary installation equipment.

Package Contents

- Brocade Brocade 6910 Ethernet Access Switch switch
- Four adhesive foot pads
- Bracket Mounting Kit containing two brackets and eight screws for attaching the brackets to the switch
- Console cable (RJ-45 to DB-9)

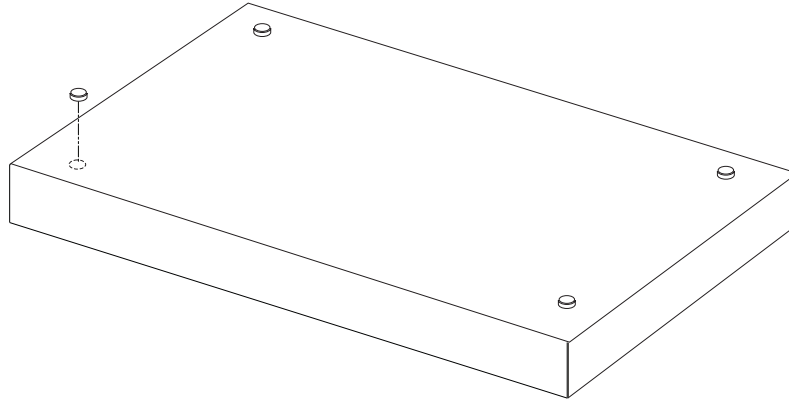
Mounting

The switch can be mounted on a desktop, shelf, or rack mounted. Mounting instructions follow.

Desktop or Shelf Mounting

1. Attach the four adhesive feet to the bottom of the first switch.

FIGURE 10 ATTACHING THE ADHESIVE FEET



2. Set the device on a flat surface near a power source, making sure there are at least two inches of space on all sides for proper air flow.
3. If installing a single switch only, go to [“Grounding the Chassis”](#) on page 13.
4. If installing multiple switches, attach four adhesive feet to each one. Place each device squarely on top of the one below, in any order.

Rack Mounting

Before rack mounting the switch, pay particular attention to the following factors:

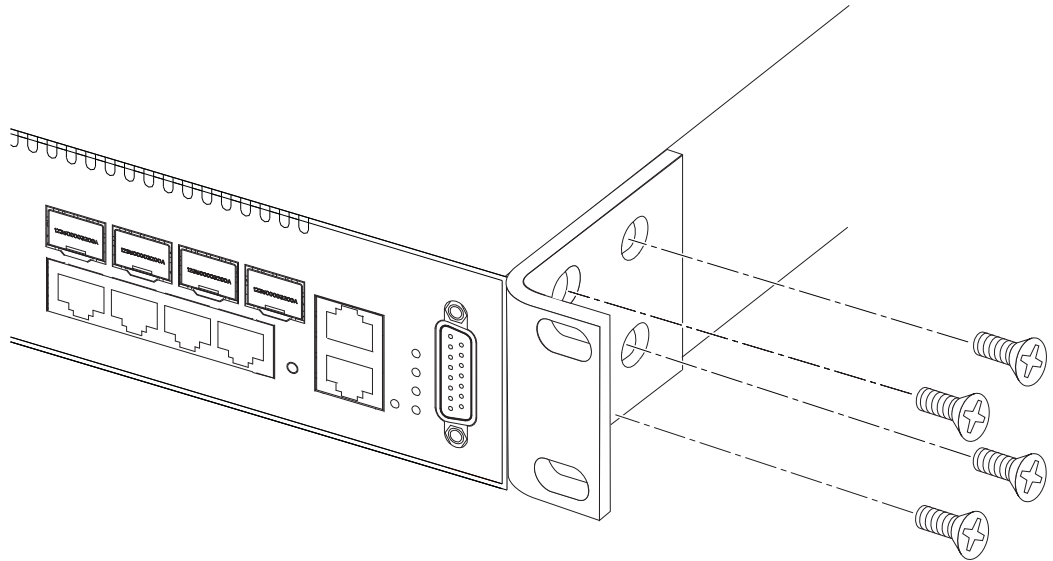
- **Temperature:** Since the temperature within a rack assembly may be higher than the ambient room temperature, check that the rack-environment temperature is within the specified operating temperature range. Also be sure to leave adequate space around the ventilation holes in the switch.
- **Mechanical Loading:** Do not place any equipment on top of a rack-mounted unit.
- **Circuit Overloading:** Be sure that the supply circuit to the rack assembly is not overloaded.
- **Grounding:** Rack-mounted equipment should be properly grounded. Particular attention should be given to supply connections other than direct connections to the mains.

To rack-mount devices:

2 Mounting

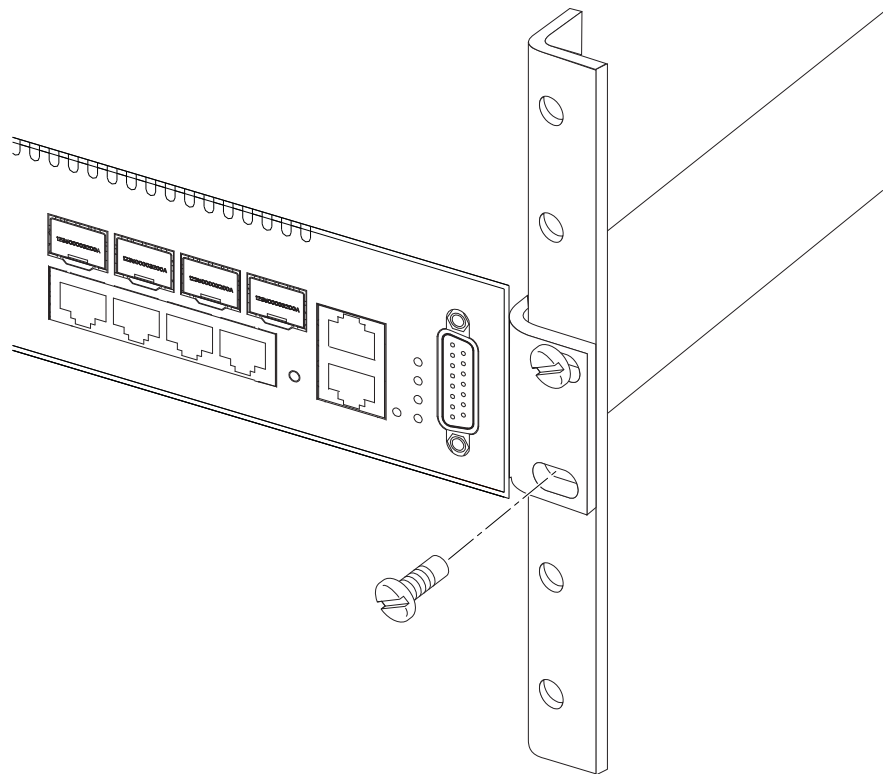
1. Attach the brackets to the device using the screws provided in the Bracket Mounting Kit.

FIGURE 11 ATTACHING THE BRACKETS



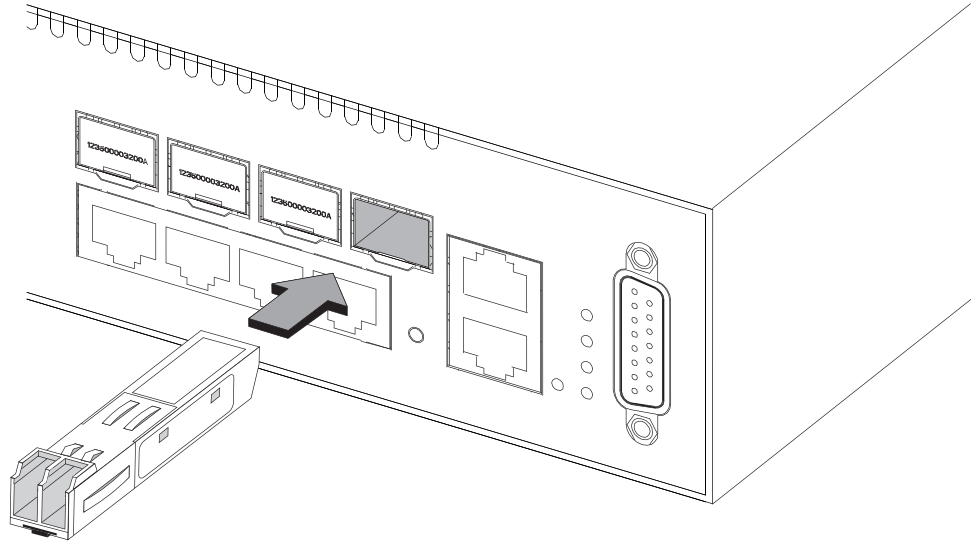
2. Mount the device in the rack, using four rack-mounting screws (not provided).

FIGURE 12 INSTALLING THE SWITCH IN A RACK



Installing an Optional SFP Transceiver

FIGURE 13 INSTALLING AN OPTIONAL SFP TRANSCEIVER



These switches support SFP-compatible transceivers. To install an SFP transceiver, do the following:

1. Consider network and cabling requirements to select an appropriate SFP transceiver type.
2. Insert the transceiver with the optical connector facing outward and the slot connector facing down. Note that SFP transceivers are keyed so they can only be installed in one orientation.
3. Slide the SFP transceiver into the slot until it clicks into place.

NOTE

SFP transceivers are hot-swappable. The switch does not need to be powered off before installing or removing a transceiver. However, always first disconnect the network cable before removing a transceiver.

NOTE

SFP transceivers are not provided in the switch package.

Grounding the Chassis

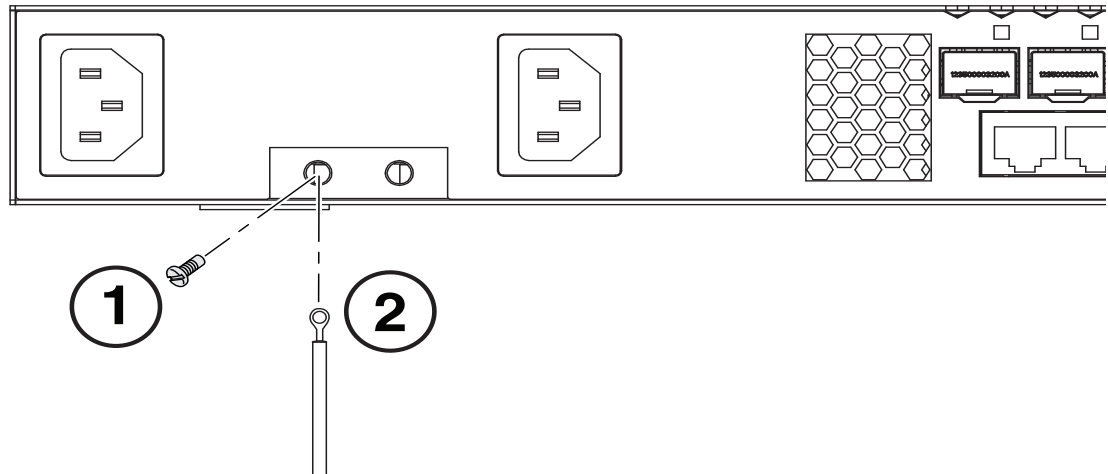
Before powering on the switch, ground the switch to earth as described below.

1. Ensure that the rack on which the switch is to be mounted is properly grounded and in compliance with ETSI ETS 300 253.
2. Ensure that there is a good electrical connection to the grounding point on the rack (no paint or isolating surface treatment).
3. Disconnect all power cables to the switch.

2 Connecting to a Power Source

4. The switch chassis is connected internally to 0 V. This circuit is connected to the grounding terminal on the front of the switch. The surface area around this terminal is not painted in order to provide for a good connection. Attach a 18 AWG stranded copper wire to the grounding terminal on the switch.
5. Then attach the grounding wire to the ground point on the rack.

FIGURE 14 GROUNDING POINT



1. Attach an insulated grounding wire, with a metal screw, to the marked grounding point.
2. Terminate the wire in an earthed grounding point.



CAUTION

The earth connection must not be removed unless all supply connections have been disconnected.

Connecting to a Power Source

These switches support either AC or DC only dual power supplies.



DANGER

Before wiring the DC plug or connecting power to the switch, ensure that power to the feed lines is turned off at the supply circuit breaker or disconnected from the power bus

Connecting DC Power

When using 20-60Vdc power, an external DC power supply must be connected to the DC power connector on the left side of the front panel. DC input (DC source) must be isolated from AC mains by reinforced insulation.



DANGER

Remove both power cords before servicing.

NOTE

To provide adequate circuit protection between the DC power supply and the switch, all intermediate wiring and circuitry should be rated to carry a load at least two times the maximum rating for this switch (see [“Power Supply”](#) on page 32.)

NOTE

For a DC system, use a grounding wire of at least 18 American Wire Gauge (AWG). The 18 AWG wire should be attached to an agency-approved crimp connector (provided on the chassis), and crimped with the proper tool. The crimp connector should allow for securement to a ground screw on the enclosure.

NOTE

Wiring for the power input terminals on the switch are described below. Wiring of the DC power supply terminals depends on the equipment in use on the local site, but should be wired in such a way as to meet the input requirements shown in [“DC PLUG CONNECTIONS”](#) on page 16. The wiring should also be color coded according to local standards to ensure that the input power and ground lines can be easily distinguished.

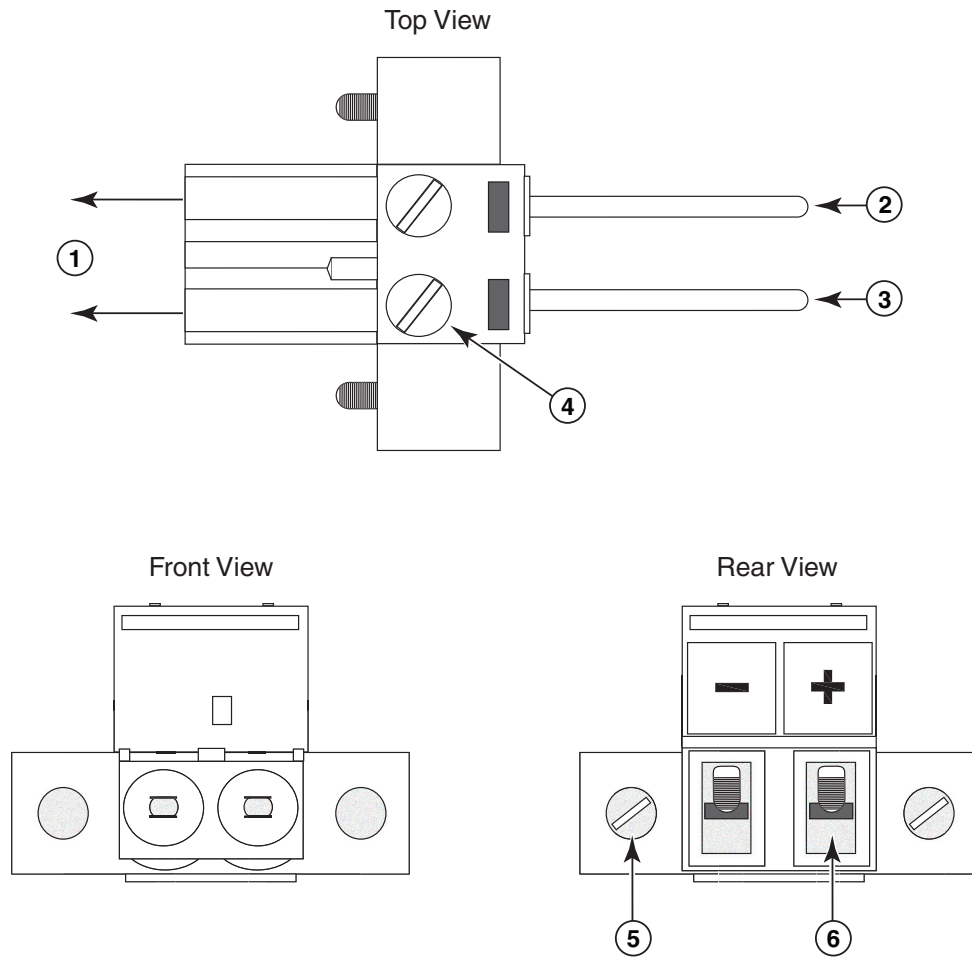
To connect the switch to a power source:

1. First verify that the DC power can provide 20-60Vdc, 1.9A.
2. Prepare two wires for each power source to be used. Use 18 AWG stranded copper wire. Make sure these wires are not plugged into the power source.
3. Use a wire stripper to carefully strip about a half an inch of the outer insulation off the end of each wire, exposing the copper core.
4. Twist the copper wire strands together to form a tight braid. If possible, solder the exposed braid of wire together for better conductivity.
5. Connect the external power feed and power ground/return lines to the DC plug (provided with the switch) as shown in the following figure. The plugs are labeled on the front of the chassis, above the DC power connection block. The -48 VDC power feed uses the “-48VDC” input lines. Use a small flat-tip screwdriver to loosen the screws on the power plug and open the wire clamps.

This equipment installation must meet NEC/CEC code requirements. Consult local authorities for regulations.

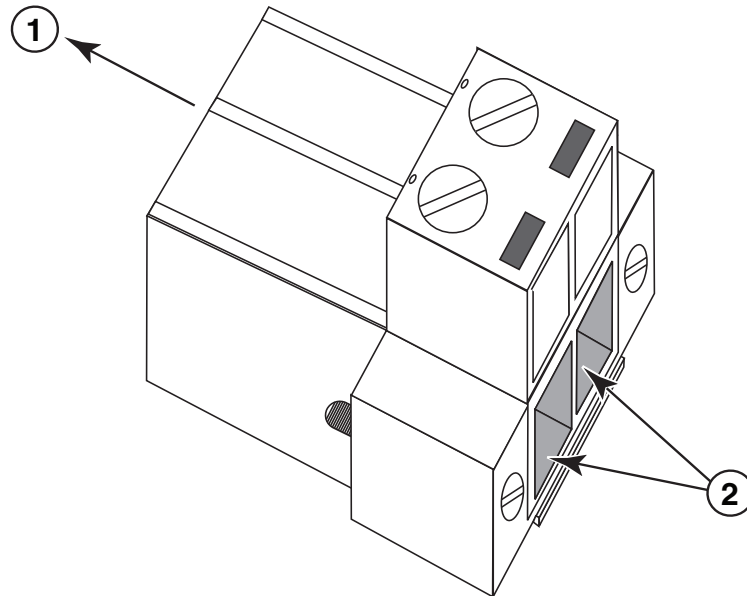
2 Connecting to a Power Source

FIGURE 15 DC PLUG CONNECTIONS



1. To switch
2. DC power ground / return
3. -48 VDC power feed
4. Screw-down connector
5. Screw into DC tapped hole on switch
6. DC power line in

FIGURE 16 DC PLUG CONNECTIONS 2



1. To Switch
2. DC power lines in
7. Insert the wire leads into the openings shown in the figure below. Each lead inserted in the power plug must match the lead attached to the power source. Use the label above the DC power connection block to identify the appropriate power input and return or ground lines.

**CAUTION**

If the power leads are plugged into the wrong holes, the power supply will not work properly and may damage the switch.

8. Push each wire about half an inch into the opening on the plug, and tighten down the clamp screw securely. You should not be able to pull on the wire and dislodge it.
9. Insert the power plug in the power receptacle on the left side of the front panel.
10. At the power source, turn on the power for the feed lines or power bus.
11. Check the Power LED indicator as the switch is powered on. If not, recheck the power supply and power cable connections at the supply source and at power conversion module.
12. To disconnect DC power from the switch, turn off the DC power feed lines before removing the plugs from the DC sockets.

Connecting AC Power



DANGER

Remove both power cords before servicing.

To connect the switch to an AC power source:

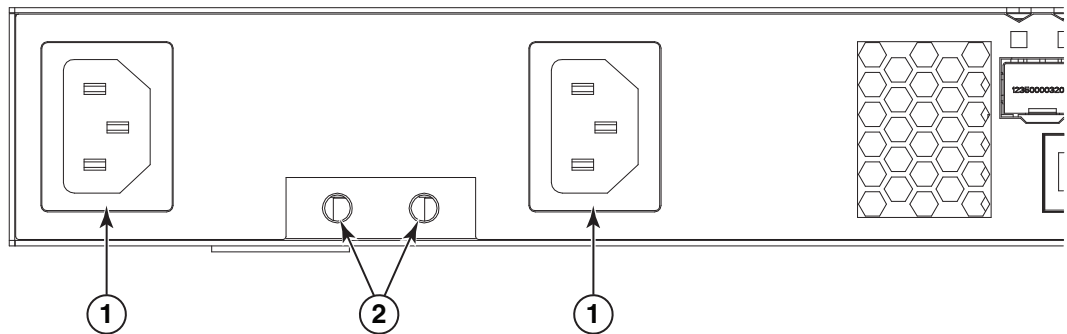
1. First verify that the external AC power supply can provide 100 to 240 VAC, 50-60 Hz, 0.8 A minimum.
2. Plug the power cable into a grounded, 3-pin, AC power source.

NOTE

For international use, you may need to change the AC line cord. You must use a line cord set that has been approved for the socket type in your country.

3. Insert the plug on the other end of the power cable directly into the socket on the switch.

FIGURE 17 AC POWER SOCKETS



1. AC Power Inlet
2. Grounding Points
4. Check that the Power LED indicator on the switch is on. If not, recheck the power supply and power cable connections at the supply source and at the switch.
5. To disconnect AC power from the switch, remove the plugs from the AC sockets on the left side of the front panel.

Connecting to the Console Port

This port is used to connect a console device to the switch through a serial cable. The console device can be a PC or workstation running a VT-100 terminal emulator, or a VT-100 terminal. A crossover RJ-45 to DB-9 cable is supplied with the unit for connecting to the console port, as illustrated below. The pin assignments used to connect to the serial port are described below.

FIGURE 18 CONSOLE CABLE



1. DB-9 Port
2. RJ-45 Connector
3. RJ-45 Port

Wiring Map for Serial Cable

TABLE 3 SERIAL CABLE WIRING

Switch's 8-Pin Serial Port	Null Modem	PC's 9-Pin DTE Port
6 RXD (receive data)	<-----	3 TXD (transmit data)
3 TXD (transmit data)	----->	2 RXD (receive data)
5 SGND (signal ground)	-----	5 SGND (signal ground)

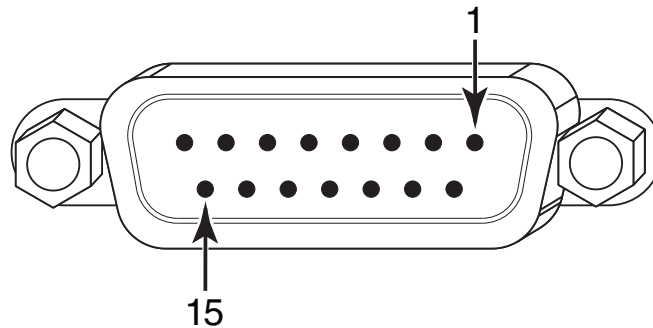
The serial port's configuration requirements are as follows:

- Default Baud rate—9600 bps
- Character Size—8 Characters
- Parity—None
- Stop bit—One
- Data bits—8
- Flow control—none

Connecting to the Alarm Port

The DB-15 alarm port on the switch's front panel is used to provide alarm. The switch supports two sets of alarm relay contacts (major and minor), and 4 external customer site alarm inputs. The pin assignments used to connect to the alarm port are provided in the following table.

FIGURE 19 ALARM PORT (D-15) PIN OUT



Wiring Map for Alarm Cable

The signals include relay contacts for major and minor system alarms, and external alarm inputs.

TABLE 4 SYSTEM STATUS LEDs

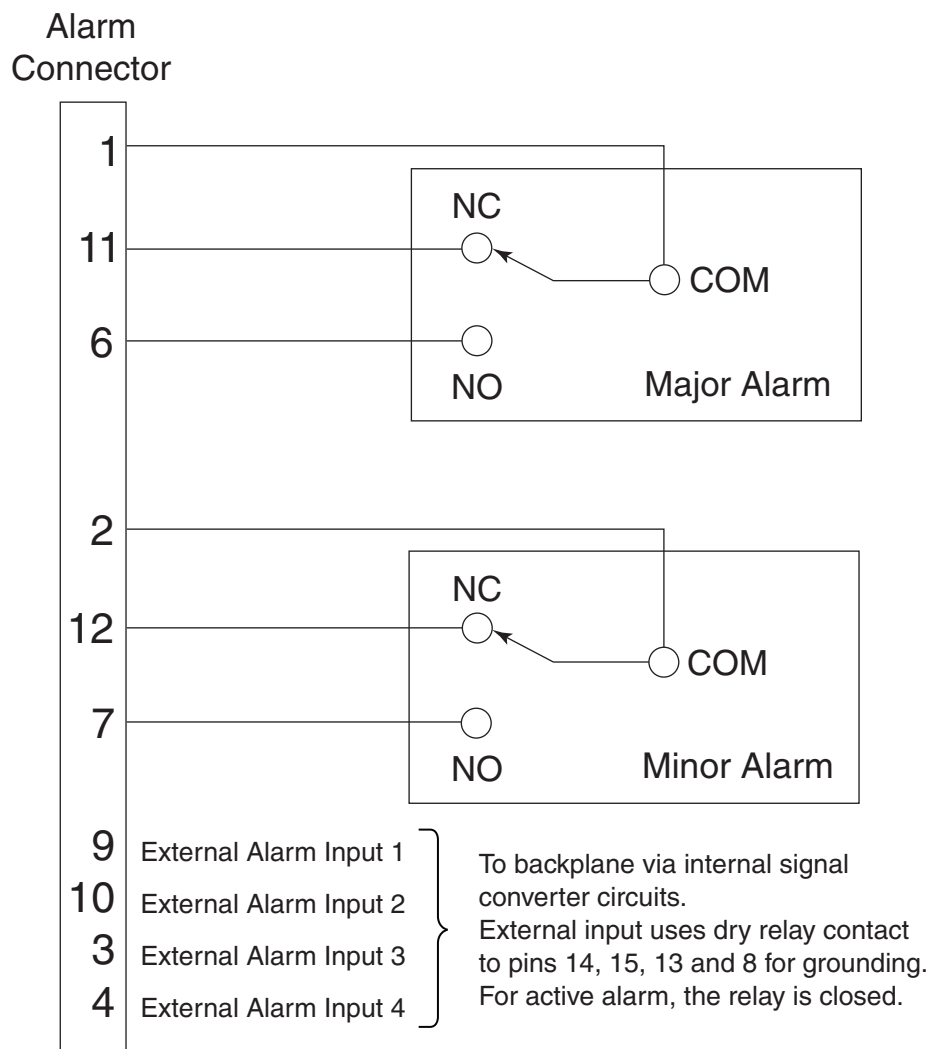
Switch's Alarm Port	Funtion
1 (MJR_ALARM_CNTR)	Common contact for major alarm relay.
2 (MNR_ALARM_CNTR)	Common contact for minor alarm relay.
3 (ALARM_IN3_EXT_P*)	External alarm input 3 (external relay dry contact closure to pin 13).
4 (ALARM_IN4_EXT_P)	External alarm input 4 (external relay dry contact closure to pin 8).
5 (No Contact)	
6 (MJR_ALARM_NO)	Normally open during major alarm state.
7 (MNR_ALARM_NO)	Normally open during minor alarm state.
8 (ALARM_IN4_EXT_RTNT)	External alarm input 4 (external relay dry contact closure from pin 3).
9 (ALARM_IN1_EXT_P)	External alarm input 1 (external relay dry contact closure to pin14).
10 (ALARM_IN2_EXT_P)	External alarm input 2 (external relay dry contact closure to pin 15).
11 (MJR_ALARM_NC)	Normally closed during major alarm state.
12 (MNR_ALARM_NC)	Normally closed during minor alarm state.
13 (ALARM_IN3_EXT_RTNT)	External alarm input 3 (external relay dry contact closure from pin 3).
14 (ALARM_IN1_EXT_RTNT)	External alarm input 1 (external relay dry contact closure from pin 9).
15 (ALARM_IN2_EXT_RTNT)	External alarm input 2 (external relay dry contact closure from pin 10).

* P indicates positive input.

† RTN indicates return to Ground.

The following figure shows the pinout information for the DB-15 ALARM connector on the front panel.

FIGURE 20 EXTERNAL ALARM I/O CONNECTORS



2 Connecting to the Alarm Port

Making Network Connections

In this chapter

- [Connecting Network Devices](#) 23
- [Twisted-Pair Devices](#) 23
- [Fiber Optic Devices](#) 24

Connecting Network Devices

These switches are designed to connect broadband access network devices to aggregation network devices in the service provider CO. It can connect to twisted-pair devices through its RJ-45 ports, or to fiber-optic devices through SFP transceivers.

Twisted-Pair Devices

Each device requires an unshielded twisted-pair (UTP) cable with RJ-45 connectors at both ends. Use Category 5, 5e or 6 cable for 1000BASE-T connections.

Cabling Guidelines

The RJ-45 ports on the switch support automatic MDI/MDI-X pinout configuration, so you can use standard straight-through twisted-pair cables to connect to any other network device (PCs, servers, switches, routers, or hubs). See [“Twisted-Pair Cable and Pin Assignments”](#) on page 27 for further information on cabling.



CAUTION

Do not plug a phone jack connector into an RJ-45 port. This will damage the switch. Use only twisted-pair cables with RJ-45 connectors that conform to FCC standards.

Connecting to PCs, Servers, Hubs and Switches

1. Attach one end of a twisted-pair cable segment to the device's RJ-45 connector.
2. Attach the other end to an available port on the switch.
3. Make sure each twisted pair cable does not exceed 100 meters (328 ft) in length.
4. As each connection is made, the relevant Port LED (on the switch) corresponding to each port will light green or amber to indicate that the connection is valid.

Fiber Optic Devices

An optional Gigabit SFP transceiver or 100BASE-FX SFP transceiver can be used for a backbone connection between switches, or for connecting to a high-speed server.

Each single-mode fiber port requires 9/125 micron single-mode fiber optic cable with an LC connector at both ends. Each multimode fiber optic port requires 50/125 or 62.5/125 micron multimode fiber optic cabling with an LC connector at both ends.



CAUTION

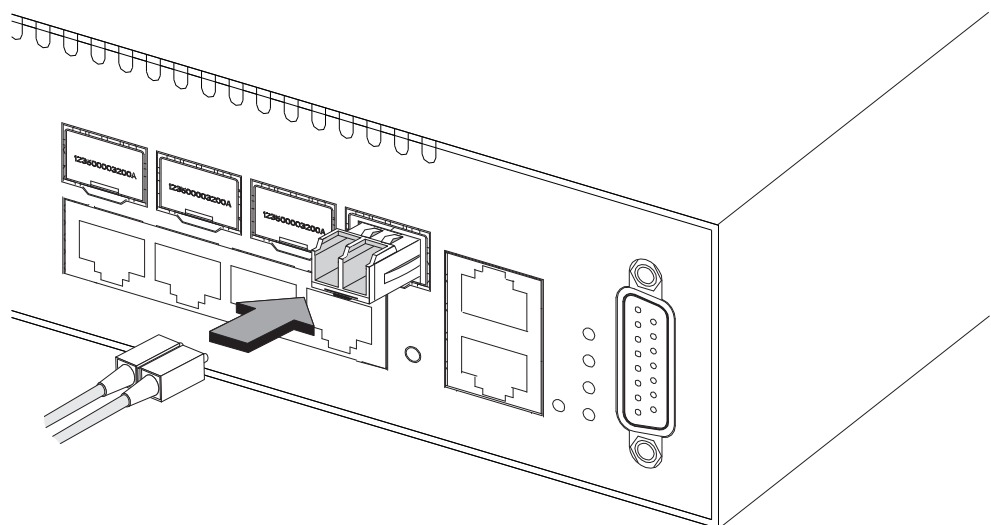
This switch uses lasers to transmit signals over fiber optic cable. The lasers are compliant with the requirements of a Class 1 Laser Product and are inherently eye safe in normal operation. However, you should never look directly at a transmit port when it is powered on.

NOTE

When selecting a fiber SFP device, considering safety, please make sure that it can function at a temperature that is not less than the recommended maximum operational temperature of the product. You must also use an approved Laser Class 1 SFP transceiver.

1. Remove and keep the LC port's rubber cover. When not connected to a fiber cable, the rubber cover should be replaced to protect the optics.
2. Check that the fiber terminators are clean. You can clean the cable plugs by wiping them gently with a clean tissue or cotton ball moistened with a little ethanol. Dirty fiber terminators on fiber cables will impair the quality of the light transmitted through the cable and lead to degraded performance on the port.
3. Connect one end of the cable to the LC port on the switch and the other end to the LC port on the other device. Since LC connectors are keyed, the cable can be attached in only one orientation.

FIGURE 21 MAKING CONNECTIONS TO SFP TRANSCEIVERS



4. As a connection is made, check the Link LED on the switch corresponding to the port to be sure that the connection is valid.

Troubleshooting

Diagnosing Switch Indicators

TABLE 5 TROUBLESHOOTING CHART

Symptom	Action
Power LED is Off	<ul style="list-style-type: none"> • Check connections between the switch, the power cord and the wall outlet. • Check if the port is disabled.
Port LED is Off	<ul style="list-style-type: none"> • Verify that the switch and attached device are powered on. • Be sure the cable is plugged into both the switch and corresponding device. • If the switch is installed in a rack, check the connections to the punch-down block and patch panel. • Verify that the proper cable type is used and its length does not exceed specified limits. • Check the adapter on the attached device and cable connections for possible defects. Replace the defective adapter or cable if necessary.
Diag LED is Flashing Amber	<ul style="list-style-type: none"> • Power cycle the switch to try and clear the condition. • If the condition does not clear, contact your local dealer for assistance
Mgmt LED is off	<ul style="list-style-type: none"> • Verify that the switch and attached device are powered on. • Be sure the cable is plugged into both the switch and corresponding device. • Verify that the proper cable type is used and its length does not exceed specified limits. • Check the adapter on the attached device and cable connections for possible defects. Replace the defective adapter or cable if necessary.
Major LED is Green	<ul style="list-style-type: none"> • One or more major system alarm(s) affecting traffic have occurred. • Check the alarm filter mask to determine potential cause(s) of alarm.
Minor LED is Green	<ul style="list-style-type: none"> • One or more minor system alarm(s) affecting traffic have occurred. • Check the alarm filter mask to determine potential cause(s) of alarm.

In-Band Access

You can access the management agent in the switch from anywhere within the attached network using Telnet, a Web browser, or other network management software tools. However, you must first configure the switch with a valid IP address, subnet mask, and default gateway. If you have trouble establishing a link to the management agent, check to see if you have a valid network connection. Then verify that you entered the correct IP address. Also, be sure the port through which you are connecting to the switch has not been disabled. If it has not been disabled, then check the network cabling that runs between your remote location and the switch.

NOTE

The management agent can accept up to eight simultaneous Telnet sessions. If the maximum number of sessions already exists, an additional Telnet connection will not be able to log into the system.

Cables

Twisted-Pair Cable and Pin Assignments

For 10/100BASE-TX connections, the twisted-pair cable must have two pairs of wires. For 1000BASE-T connections the twisted-pair cable must have four pairs of wires. Each wire pair is identified by two different colors. For example, one wire might be green and the other, green with white stripes. Also, an RJ-45 connector must be attached to both ends of the cable.



CAUTION

DO NOT plug a phone jack connector into any RJ-45 port. Use only twisted-pair cables with RJ-45 connectors that conform with FCC standards.

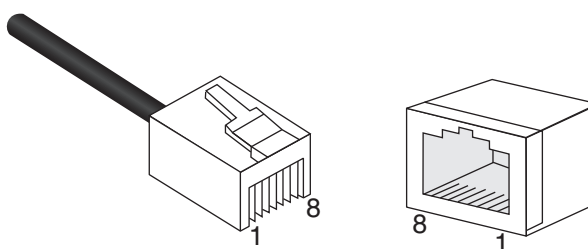


CAUTION

Caution: Each wire pair must be attached to the RJ-45 connectors in a specific orientation.

The figure below illustrates how the pins on the RJ-45 connector are numbered. Be sure to hold the connectors in the same orientation when attaching the wires to the pins.

FIGURE 22 RJ-45 CONNECTOR PIN NUMBERS



10BASE-T/100BASE-TX Pin Assignments

Use unshielded twisted-pair (UTP) or shielded twisted-pair (STP) cable for RJ-45 connections: 100-ohm Category 3 or better cable for 10 Mbps connections, or 100-ohm Category 5 or better cable for 100 Mbps connections. Also be sure that the length of any twisted-pair connection does not exceed 100 meters (328 feet).

The RJ-45 ports on the switch base unit support automatic MDI/MDI-X operation, so you can use straight-through cables for all network connections to PCs or servers, or to other switches or hubs. In straight-through cable, pins 1, 2, 3, and 6, at one end of the cable, are connected straight through to pins 1, 2, 3, and 6 at the other end of the cable. When using any RJ-45 port on this switch, you can use either straight-through or crossover cable.

B Twisted-Pair Cable and Pin Assignments

TABLE 6 10/100BASE-TX MDI and MDI-X PORT PINOUTS

Pin	MDI Signal Name	MDI-X Signal Name
1	Transmit Data plus (TD+)	Receive Data plus (RD+)
2	Transmit Data minus (TD-)	Receive Data minus (RD-)
3	Receive Data plus (RD+)	Transmit Data plus (TD+)
6	Receive Data minus (RD-)	Transmit Data minus (TD-)
4,5,7,8	Not used	Not used

NOTE

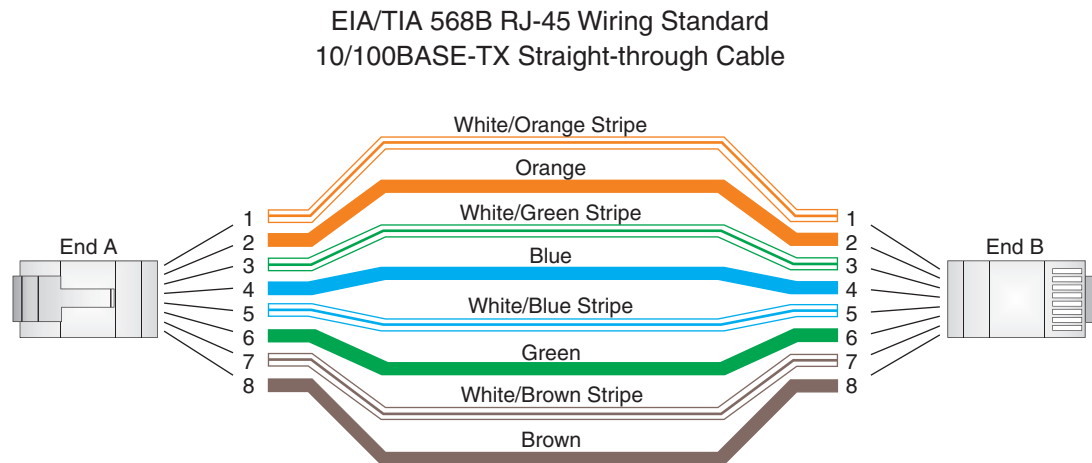
The “+” and “-” signs represent the polarity of the wires that make up each wire pair.

Straight-Through Wiring

If the twisted-pair cable is to join two ports and only one of the ports has an internal crossover (MDI-X), the two pairs of wires must be straight-through. (When auto-negotiation is enabled for any RJ-45 port on this switch, you can use either straight-through or crossover cable to connect to any device type.)

You must connect all four wire pairs as shown in the following diagram to support Gigabit Ethernet.

FIGURE 23 STRAIGHT-THROUGH WIRING

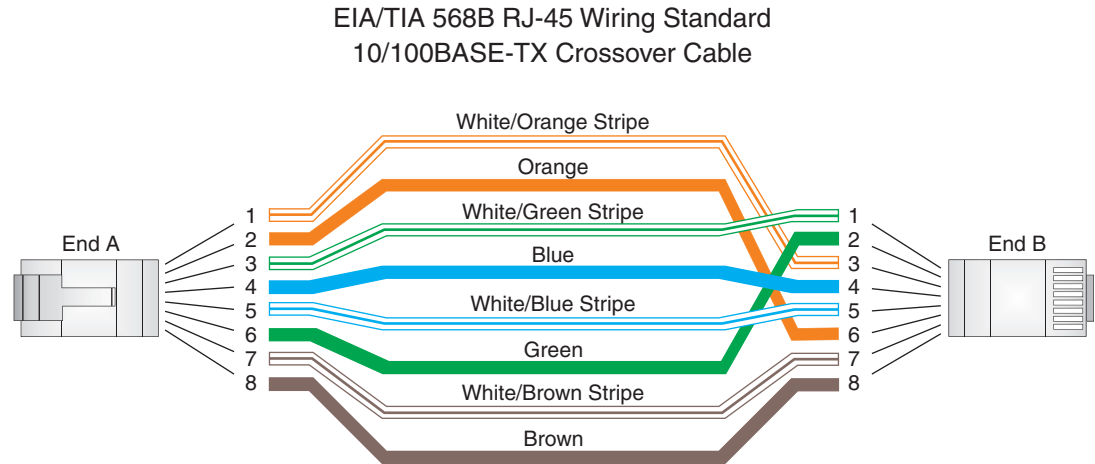


Crossover Wiring

If the twisted-pair cable is to join two ports and either both ports are labeled with an “X” (MDI-X) or neither port is labeled with an “X” (MDI), a crossover must be implemented in the wiring. (When auto-negotiation is enabled for any RJ-45 port on this switch, you can use either straight-through or crossover cable to connect to any device type.)

You must connect all four wire pairs as shown in the following diagram to support Gigabit Ethernet.

FIGURE 24 CROSSOVER WIRING



1000BASE-T Pin Assignments

All 1000BASE-T ports support automatic MDI/MDI-X operation, so you can use straight-through cables for all network connections to PCs or servers, or to other switches or hubs.

The table below shows the 1000BASE-T MDI and MDI-X port pinouts. These ports require that all four pairs of wires be connected. Note that for 1000BASE-T operation, all four pairs of wires are used for both transmit and receive.

Use 100-ohm Category 5, 5e or 6 unshielded twisted-pair (UTP) or shielded twisted-pair (STP) cable for 1000BASE-T connections. Also be sure that the length of any twisted-pair connection does not exceed 100 meters (328 feet).

TABLE 7 1000BASE-T MDI and MDI-X PORT PINOUTS

Pin	MDI Signal Name	MDI-X Signal Name
1	Bi-directional Pair A Plus (BI_DA+)	Bi-directional Pair B Plus (BI_DB+)
2	Bi-directional Pair A Minus (BI_DA-)	Bi-directional Pair B Minus (BI_DB-)
3	Bi-directional Pair B Plus (BI_DB+)	Bi-directional Pair A Plus (BI_DA+)
4	Bi-directional Pair C Plus (BI_DC+)	Bi-directional Pair D Plus (BI_DD+)
5	Bi-directional Pair C Minus (BI_DC-)	Bi-directional Pair D Minus (BI_DD-)
6	Bi-directional Pair B Minus (BI_DB-)	Bi-directional Pair A Minus (BI_DA-)
7	Bi-directional Pair D Plus (BI_DD+)	Bi-directional Pair C Plus (BI_DC+)
8	Bi-directional Pair D Minus (BI_DD-)	Bi-directional Pair C Minus (BI_DC-)

Cable Testing for Existing Category 5 Cable

Installed Category 5 cabling must pass tests for Attenuation, Near-End Crosstalk (NEXT), and Far-End Crosstalk (FEXT). This cable testing information is specified in the ANSI/TIA/EIA-TSB-67 standard. Additionally, cables must also pass test parameters for Return Loss and Equal-Level Far-End Crosstalk (ELFEXT). These tests are specified in the ANSI/TIA/EIA-TSB-95 Bulletin, "The Additional Transmission Performance Guidelines for 100 Ohm 4-Pair Category 5 Cabling."

Note that when testing your cable installation, be sure to include all patch cables between switches and end devices.

Adjusting Existing Category 5 Cabling to Run 1000BASE-T

If your existing Category 5 installation does not meet one of the test parameters for 1000BASE-T, there are basically three measures that can be applied to try and correct the problem:

1. Replace any Category 5 patch cables with high-performance Category 5e or Category 6 cables.
2. Reduce the number of connectors used in the link.
3. Reconnect some of the connectors in the link.

Fiber Standards

The International Telecommunication Union (ITU-T) has standardized various fiber types for data networks. These are summarized in the following table.

TABLE 8 FIBER STANDARDS

ITU-T Standard	Description	Application
G.651	Multimode Fiber 50/125-micron core	Short-reach connections in the 1300-nm or 850-nm band.
G.652	Non-Dispersion-Shifted FiberSingle-mode, 9/125-micron core	Longer spans and extended reach. Optimized for operation in the 1310-nm band. but can also be used in the 1550-nm band.
G.652.C	Low Water Peak Non-Dispersion-Shifted Fiber Single-mode, 9/125-micron core	Longer spans and extended reach. Optimized for wavelength-division multiplexing (WDM) transmission across wavelengths from 1285 to 1625 nm. The zero dispersion wavelength is in the 1310-nm region.
G.653	Dispersion-Shifted Fiber Single-mode, 9/125-micron core	Longer spans and extended reach. Optimized for operation in the region from 1500 to 1600-nm.
G..654	1550-nm Loss-Minimized FiberSingle-mode, 9/125-micron core	Extended long-haul applications. Optimized for high-power transmission in the 1500 to 1600-nm region, with low loss in the 1550-nm band.
G.655	Non-Zero Dispersion-Shifted FiberSingle-mode, 9/125-micron core	Extended long-haul applications. Optimized for high-power dense wavelength-division multiplexing (DWDM) operation in the region from 1500 to 1600-nm.

Specifications

Physical Characteristics

Ports

12 combination SFP/RJ-45 ports, 10/100/1000 Mbps, with auto-negotiation
1 1000BASE-T management port

Network Interface

Ports 1-12: RJ-45 connector, auto MDI/X

10BASE-T: RJ-45 (100-ohm, UTP cable; Category 3 or better)

100BASE-TX: RJ-45 (100-ohm, UTP cable; Category 5 or better)

1000BASE-T: RJ-45 (100-ohm, UTP or STP cable; Category 5 or 5e)

*Maximum Cable Length - 100 m (328 ft)

Buffer Architecture

4 Mbit packet buffer

Aggregate Bandwidth

24 Gbps

Switching Database

8K MAC address entries, 1024 static MAC addresses;

LEDs

System: Power, Diag, Mgmt, Major Alarm, Minor Alarm

Port: status (link, speed, and activity)

Port: SFP present

Weight

3.2 kg (7.5 lbs)

Size

(W x D x H): 252 mm x 440 mm x 44 mm (9.92 x 17.32 x 1.73 inches)

Temperature

Operating: -40 °C to 65 °C (-40 °F to 149 °F)

Storage: -40 °C to 70 °C (-40 °F to 158 °F)

Humidity

Operating: 10% to 90% (non-condensing)

AC Input

100 to 240 V, 50-60 Hz, 0.8A Max.

DC Input

20~60Vdc, 0.8 A Max.

Power Supply

Internal, auto-ranging transformer: 100 to 240 VAC, 50 to 60 Hz (for Brocade 6910 Ethernet Access Switch-EAS-AC)

Internal, auto-ranging transformer: 20 to 60 Vdc (for Brocade 6910 Ethernet Access Switch-EAS-DC)

Power Consumption

27 Watts maximum

Maximum Current

0.8 A @ 100 VAC, 0.4 A @ 240 VAC

1.9 A @ 20-60 Vdc

Switch Features

Forwarding Mode

Store-and-forward

Throughput

Wire speed

Flow Control

Full Duplex: IEEE 802.3x

Half Duplex: Back pressure

Management Features

In-Band Management

Web, Telnet, SSH, or SNMP manager

Out-of-Band Management

RS-232 RJ-45 console port

Software Loading

HTTP or FTP/TFTP in-band, or XModem out-of-band

Standards

IEEE 802.3-2005

Ethernet, Fast Ethernet, Gigabit Ethernet

Full-duplex flow control

IEEE 802.1D Spanning Tree Protocol

IEEE 802.1w Rapid Spanning Tree Protocol

IEEE 802.1s Multiple Spanning Tree Protocol

IEEE 802.1Q Virtual LAN

ISO/IEC 8802-3 CSMA/CD

Compliances

Emissions

EN 55022:2007, Class A

C Compliances

EN 61000-3-2:2006, Class A

EN 61000-3-3:2005

Immunity

EN 55024:2001 + A2:2003

IEC 61000-4-2/3/4/5/6/8/11

Safety

CSA (CSA 22.2 NO 60950-1 & UL 60950-1)

CB (IEC/EN60950-1)

TUV/GS (EN60950-1)

Caution and Danger Notices 1

English / French

Cautions

The cautions and dangers that appear in this manual are listed below in English, German, French, and Spanish.

A caution calls your attention to a possible hazard that can damage equipment.

Une mise en garde attire votre attention sur un risque possible d'endommagement de l'équipement. Ci-dessous, vous trouverez les mises en garde utilisées dans ce manuel.

CAUTION	All devices with DC power supplies are intended for installation in restricted access areas only. A restricted access area is where access can be gained only by service personnel through the use of a special tool, lock and key, or other means of security, and is controlled by the authority responsible for the location.
MISE EN GARDE	Tous les équipements dotés d'un bloc d'alimentation en courant continu sont conçus pour l'installation dans des zones à accès réglementé uniquement. Une zone à accès réglementé est un local qui n'est accessible que par le personnel d'entretien à l'aide d'un outil, verrou ou clé conçus à cet effet, ou de tout autre accessoire de sécurité, et qui est contrôlé par l'autorité responsable de ce local.

CAUTION	For the DC input circuit to the system of a Brocade 6910 make sure there is a UL-Listed 5 amp circuit breaker, minimum 20Vdc, double pole, on the input lugs to the power supply. The input wiring for connection to the product should be Listed copper wire, 18 AWG, marked VW-1, and rated minimum 90 °C.
MISE EN GARDE	Pour le circuit d'alimentation en courant continu du système Brocade 6910, vérifier la présence d'un disjoncteur bipolaire homologué de 5 A, minimum 20 Vcc, sur l'entrée de l'alimentation. Les câbles d'alimentation du produit doivent être des fils de cuivre homologués de section 0.8 mm ² (18 AWG), marqués VW-1 et testés à 90 °C.

CAUTION	Do not install the device in an environment where the operating ambient temperature might exceed 65° C (149° F).
MISE EN GARDE	N'installez pas le dispositif dans un environnement où la température d'exploitation ambiante risque de dépasser 65° C (149° F).

D Cautions

CAUTION	Ensure that the device does not overload the power circuits, wiring, and over-current protection. To determine the possibility of overloading the supply circuits, add the ampere (amp) ratings of all devices installed on the same circuit as the device. Compare this total with the rating limit for the circuit. The maximum ampere ratings are usually printed on the devices near the input power connectors.
MISE EN GARDE	Assurez-vous que le dispositif ne risque pas de surcharger les circuits d'alimentation, le câblage et la protection de surintensité. Pour déterminer le risque de surcharge des circuits d'alimentation, additionnez l'intensité nominale (ampères) de tous les dispositifs installés sur le même circuit que le dispositif en question. Comparez alors ce total avec la limite de charge du circuit. L'intensité nominale maximum en ampères est généralement imprimée sur chaque dispositif près des connecteurs d'entrée d'alimentation.

CAUTION	Make sure the air flow around the front, sides, and back of the device is not restricted.
MISE EN GARDE	Vérifiez que rien ne restreint la circulation d'air devant, derrière et sur les côtés du dispositif et qu'elle peut se faire librement.

CAUTION	Use a separate branch circuit for each AC power cord, which provides redundancy in case one of the circuits fails.
MISE EN GARDE	Utilisez un circuit de dérivation différent pour chaque cordon d'alimentation C.A. Ainsi, il y aura un circuit redondant en cas de panne d'un des circuits.

CAUTION	Be sure not to exceed the minimum recommended bend radius for the cables: 1.5" for Category 5 (RJ45) and fiber-optic cables.
MISE EN GARDE	Respecter le rayon de courbure minimal recommandé pour les câbles (Ethernet de catégorie 5 (RJ45) et les fibres optiques).

CAUTION	Changes or modifications made to this device that are not expressly approved by the party responsible for compliance could void the user's authority to operate the equipment.
MISE EN GARDE	Les éventuelles modifications apportées à cet équipement sans avoir été expressément approuvées par la partie responsable d'en évaluer la conformité sont susceptibles d'annuler le droit de l'utilisateur à utiliser cet équipement.

CAUTION	The earth connection must not be removed unless all supply connections have been disconnected.
MISE EN GARDE	La mise à la terre doit être retirée uniquement si toutes les prises d'alimentation ont été déconnectées.

CAUTION	If the power leads are plugged into the wrong holes, the power supply will not work properly and may damage the switch.
MISE EN GARDE	Si les fils électriques sont raccordés aux mauvaises bornes, l'alimentation ne fonctionnera pas correctement et risque d'endommager le commutateur.

CAUTION	Do not plug a phone jack connector into an RJ-45 port. This will damage the switch. Use only twisted-pair cables with RJ-45 connectors that conform to FCC standards.
MISE EN GARDE	Ne raccordez aucun connecteur pour prise téléphonique à un port RJ-45. Le commutateur risque d'être endommagé. Utilisez uniquement des câbles à paires torsadées avec connecteurs RJ-45 conformes aux normes FCC.

CAUTION	This switch uses lasers to transmit signals over fiber optic cable. The lasers are compliant with the requirements of a Class 1 Laser Product and are inherently eye safe in normal operation. However, you should never look directly at a transmit port when it is powered on.
MISE EN GARDE	Ce commutateur utilise des lasers pour transmettre les signaux sur un câble en fibre optique. Les lasers sont conformes aux exigences d'un produit laser de Classe 1 et sont par conséquent sans risque pour les yeux en condition de fonctionnement normal. Toutefois, vous ne devez jamais regarder directement un port de transmission lorsqu'il est en activité.

CAUTION	Each wire pair must be attached to the RJ-45 connectors in a specific orientation.
MISE EN GARDE	Chaque paire doit être raccordée au connecteur RJ-45 dans un ordre parfaitement déterminé.

Dangers

A danger calls your attention to a possible hazard that can cause injury or death. The following are the dangers used in this manual.

Un danger attire votre attention sur un risque possible de blessure ou de décès. Ci-dessous, vous trouverez les dangers utilisés dans ce manuel.

DANGER	Laser Radiation. Do Not View Directly with Optical Instruments. Class 1M Laser Products.
DANGER	Rayonnement de laser. Ne regardez pas directement avec les instruments optiques. Produits de laser de la classe 1M.

DANGER	All fiber optic interfaces use Class 1 lasers.
DANGER	Toutes les interfaces en fibres optiques utilisent des lasers de classe 1.

DANGER	Installation and removal of the unit must be carried out by qualified personnel only.
DANGER	L'installation et la dépose de l'unité doivent être confiées uniquement à du personnel qualifié.

D Dangers

DANGER	Disconnect the power cord from all power sources to completely remove power from the device.
DANGER	Débranchez le cordon d'alimentation de toutes les sources d'alimentation pour couper complètement l'alimentation du dispositif.
DANGER	If the installation requires a different power cord than the one supplied with the device, make sure you use a power cord displaying the mark of the safety agency that defines the regulations for power cords in your country. The mark is your assurance that the power cord can be used safely with the device.
DANGER	Si l'installation nécessite un cordon d'alimentation autre que celui fourni avec le dispositif, assurez-vous d'utiliser un cordon d'alimentation portant la marque de l'organisation responsable de la sécurité qui définit les normes et réglementations pour les cordons d'alimentation dans votre pays. Cette marque vous assure que vous pouvez utiliser le cordon d'alimentation avec le dispositif en toute sécurité.
DANGER	Make sure that the power source circuits are properly grounded, then use the power cord supplied with the device to connect it to the power source.
DANGER	Vérifiez que les circuits de sources d'alimentation sont bien mis à la terre, puis utilisez le cordon d'alimentation fourni avec le dispositif pour le connecter à la source d'alimentation.
DANGER	Make sure the rack or cabinet housing the device is adequately secured to prevent it from becoming unstable or falling over.
DANGER	Vérifiez que le bâti ou le support abritant le dispositif est bien fixé afin qu'il ne devienne pas instable ou qu'il ne risque pas de tomber.
DANGER	Mount the devices you install in a rack or cabinet as low as possible. Place the heaviest device at the bottom and progressively place lighter devices above.
DANGER	Montez les dispositifs que vous installez dans un bâti ou support aussi bas que possible. Placez le dispositif le plus lourd en bas et le plus léger en haut, en plaçant tous les dispositifs progressivement de bas en haut du plus lourd au plus léger.
DANGER	For safety reasons, the ESD wrist strap should contain a series 1 megohm resistor.
DANGER	Pour des raisons de sécurité, la dragonne ESD doit contenir une résistance de série 1 méga ohm.
DANGER	The procedures in this manual are for qualified service personnel.
DANGER	Les procédures décrites dans ce manuel doivent être effectuées par le personnel de service qualifié uniquement.
DANGER	Before wiring the DC plug or connecting power to the switch, ensure that power to the feed lines is turned off at the supply circuit breaker or disconnected from the power bus.
DANGER	Avant de raccorder le connecteur DC ou l'alimentation au commutateur, veillez à ce que l'arrivée électrique soit coupée sur le disjoncteur ou déconnectée du bus d'alimentation.

DANGER	Remove both power cords before servicing.
DANGER	Retirez les deux cordons d'alimentation avant toute maintenance.

D Dangers

Caution and Danger Notices 2

German / Spanish / Chinese

Cautions

"Vorsicht" weist auf eine mögliche Beschädigung des Geräts hin. Sie finden die folgenden Vorsichtshinweise in diesem Handbuch.

Un mensaje de precaución le advierte sobre un posible peligro que pueda dañar el equipo. Las siguientes son precauciones utilizadas en este manual.

<p>VORSICHT</p>	<p>Montage (Rack Mounting Instructions - German)</p> <p>Switch-Einheiten können an ein standardmäßiges 19-Zoll Einrichtungsrack, einen Arbeitstisch oder ein Regal montiert werden. Folgend finden Sie die Montageanweisungen für jeden Positionstyp.</p> <p>Rack-Montage</p> <p>Beachten Sie die folgenden Faktoren, bevor Sie die Rack-Montage beginnen:</p> <ul style="list-style-type: none"> • Temperatur: Da die Temperatur innerhalb einer Rackeinheit höher als die Raumumgebungstemperatur sein kann, stellen Sie bitte sicher, dass die Rackumgebungstemperatur innerhalb des angegebenen Betriebstemperaturbereichs liegt. • Mechanische Last: Stellen Sie kein Gerät auf eine Rack-Montageeinheit. • Stromüberlastung: Stellen Sie sicher, dass der Netzkreis der Rackeinheit nicht überlastet wird. • Erdung: Die Rack-Montageeinheit muss richtig geerdet werden. Besondere Acht sollten Sie bei Verbindungen geben, die nicht direkt zum Netz führen. <p>So montieren Sie Geräte an ein Rack:</p> <ol style="list-style-type: none"> 1 Befestigen Sie die Metallwinkel mit den im Metallwinkel-Montageset erhältlichen Schrauben an dem Gerät. 2 Befestigen Sie das Gerät mit vier Rackmontageschrauben (nicht beigelegt) an dem Rack. 3 Wenn Sie nur einen Switch installieren, dann springen Sie bitte über zu "Verbinden mit einer Stromquelle". 4 Wenn Sie mehrere Switches installieren möchten, dann montieren Sie sie untereinander in einer beliebigen Reihenfolge.
<p>VORSICHT</p>	<p>Dieses Gerät nutzt Laser zur Signalübertragung über Glasfasern. Die Laser entsprechen den Anforderungen an eine Lasereinrichtung der Klasse 1 und sind durch ihre Bauart im normalen Betrieb sicher für die Augen. Trotzdem sollte niemals direkt in den einen Übertragungskanal geblickt werden, wenn er eingeschaltet ist.</p>

E Cautions

VORSICHT	Der Erdungsanschluss darf erst nach Trennung sämtlicher Versorgungsanschlüsse getrennt werden.
-----------------	--

VORSICHT	Alle Geräte mit Direktstromquellen sind nur zur Installation in Sperrbereichen bestimmt. Ein Sperrbereich ist ein Ort, zu dem nur Wartungspersonal mit einem Spezialwerkzeug, Schloss und Schlüssel oder einer anderen Schutzvorrichtung Zugang hat. Er unterliegt außerdem der Kontrolle durch die für den Standort verantwortliche Stelle.
-----------------	--

PRECAUCIÓN	Todos aquellos dispositivos con fuentes de alimentación de CC están diseñados para su instalación en zonas de acceso restringido solamente. Una zona de acceso restringido es un lugar al que sólo puede acceder personal de mantenimiento haciendo uso de una herramienta especial, una llave y un candado, o algún otro medio de seguridad, y que está controlado por la autoridad responsable.
-------------------	---

VORSICHT	Bei der Gleichstromeingangsschaltung zum System eines Brocade 6910, muss sichergestellt werden, dass an den Eingangskabelschuhen zur Stromversorgung ein zweipoliger Schalter mit UL-Zulassung, 5 Ampere und mindestens 20 V Gleichstrom vorhanden ist. Die Eingangsleitung zum Anschluss an das Produkt sollte als Kupferdraht, 18 AWG, angegeben, als VW-1 gekennzeichnet und für mindestens 90 °C bemessen sein.
-----------------	---

PRECAUCIÓN	Para el circuito de entrada de CC al sistema de un Brocade 6910, verifique que existe un disyuntor catalogado por UL de 5 amperios, 20 VCC como mínimo, bipolar, en las orejetas de entrada a la fuente de alimentación. El cableado de entrada para la conexión al producto deberá ser de cable de cobre catalogado, 18 AWG, marcado con VW-1, y tener una capacidad nominal mínima para 90 °C.
-------------------	--

VORSICHT	Das Gerät darf nicht in einer Umgebung mit einer Umgebungsbetriebstemperatur von über 65° C (149° F) installiert werden.
-----------------	--

PRECAUCIÓN	No instale el instrumento en un entorno en el que la temperatura ambiente de operación pueda exceder los 65° C (149° F).
-------------------	--

VORSICHT	Stromkreise, Verdrahtung und Überlastschutz dürfen nicht durch das Gerät überbelastet werden. Addieren Sie die Nennstromleistung (in Ampere) aller Geräte, die am selben Stromkreis wie das Gerät installiert sind. Somit können Sie feststellen, ob die Gefahr einer Überbelastung der Versorgungsstromkreise vorliegt. Vergleichen Sie diese Summe mit der Nennstromgrenze des Stromkreises. Die Höchstnennströme (in Ampere) stehen normalerweise auf der Geräterückseite neben den Eingangsstromanschlüssen.
-----------------	--

PRECAUCIÓN	Verifique que el instrumento no sobrecargue los circuitos de corriente, el cableado y la protección para sobrecargas. Para determinar la posibilidad de sobrecarga en los circuitos de suministros, añada las capacidades nominales de corriente (amp) de todos los instrumentos instalados en el mismo circuito que el instrumento. Compare esta suma con el límite nominal para el circuito. Las capacidades nominales de corriente máximas están generalmente impresas en los instrumentos, cerca de los conectores de corriente de entrada.
-------------------	---

VORSICHT	Stellen Sie sicher, dass an der Vorderseite, den Seiten und an der Rückseite der Luftstrom nicht behindert wird.
-----------------	--

PRECAUCIÓN	Asegúrese de que el flujo de aire en las inmediaciones de las partes anterior, laterales y posterior del instrumento no esté restringido.
-------------------	---

VORSICHT	Es empfiehlt sich die Installation eines separaten Stromkreisweiges für jede Wechselstrom-Elektroschnur als Redundanz im Fall des Ausfalls eines Stromkreises.
PRECAUCIÓN	Use un circuito derivado separado para cada cordón de alimentación de CA, con lo que se proporcionará redundancia en caso de que uno de los circuitos falle.
VORSICHT	Der empfohlene Mindestbiegeradius für die Kabel darf nicht überschritten werden: 1,5 Zoll (3,81 cm) bei Kabeln der Kategorie 5 (RJ45) und Glasfaserkabeln.
PRECAUCIÓN	Asegúrese de no exceder el radio de curvatura recomendado para los cables: 1,5" para cables de Categoría 5 (RJ45) y de fibra óptica.
VORSICHT	Falls dieses Gerät verändert oder modifiziert wird, ohne die ausdrückliche Genehmigung der für die Einhaltung der Anforderungen verantwortlichen Partei einzuholen, kann dem Benutzer der weitere Betrieb des Gerätes untersagt werden.
PRECAUCIÓN	Si se realizan cambios o modificaciones en este dispositivo sin la autorización expresa de la parte responsable del cumplimiento de las normas, la licencia del usuario para operar este equipo puede quedar anulada.
VORSICHT	Die Erdungsverbindung darf nur getrennt werden, wenn zuvor alle Versorgungsverbindungen getrennt wurden.
PRECAUCIÓN	La conexión de toma de tierra no debe desenchufarse a menos que todas las conexiones de alimentación hayan sido desconectadas.
VORSICHT	Wenn die Stromversorgungskabel in die falschen Anschlüsse eingesteckt werden, funktioniert das Netzteil nicht ordnungsgemäß, und der Switch kann beschädigt werden.
PRECAUCIÓN	Si los conectores de alimentación están enchufados en las tomas equivocadas, la fuente de alimentación podría no funcionar correctamente y podría dañar el switch.
VORSICHT	Stecken Sie keinen Telefonstecker in einen RJ-45-Anschluss ein. Dadurch wird der Switch beschädigt. Verwenden Sie ausschließlich Twisted-Pair-Kabel mit RJ-45-Steckern, die den FCC-Standards entsprechen.
PRECAUCIÓN	No conecte una clavija telefónica a un puerto RJ-45. Esto dañaría el switch. Utilice únicamente cables de par trenzado con conectores RJ-45 que satisfagan los estándares del FCC.
VORSICHT	Dieser Switch verwendet Laser, um Signale über Glasfaserkabel zu übertragen. Die Laser erfüllen die Anforderungen an ein Laserprodukt der Klasse 1 und sind bei Normalbetrieb als unschädlich für das menschliche Auge eingestuft. Sie sollten dennoch nie direkt in einen Übertragungsanschluss blicken, wenn das Produkt eingeschaltet ist.
PRECAUCIÓN	Este switch utiliza láseres para transmitir señales a través de cables de fibra óptica. Los láseres cumplen los requisitos de Producto Láser Clase 1 y son intrínsecamente seguros para la vista si se usan con normalidad. No obstante, nunca debería mirar directamente a un puerto de transmisión cuando esté encendido.
VORSICHT	Die Verbindung jedes Adernpaares an den RJ-45-Steckern muss eine spezifische Polung aufweisen.
PRECAUCIÓN	Cada par de cables debe conectarse a los conectores RJ-45 con una orientación correcta.

Dangers

"Gefahr" weist auf eine mögliche Gefährdung hin, die zu Verletzungen oder Tod führen können. Sie finden die folgenden Warnhinweise in diesem Handbuch.

Una advertencia le llama la atención sobre cualquier posible peligro que pueda ocasionar daños personales o la muerte. A continuación se dan las advertencias utilizadas en este manual.

GEFAHR	Laserstrahlung! Schauen Sie nicht direkt mit optischen Instrumenten in den Laserstrahl herein. Klasse 1M Laserprodukte.
PELIGRO	Radiacion de Laser. No vea directamente con Instrumentos Opticos. Clase 1M de Productos de Laser.

GEFAHR	Alle Glasfaser-Schnittstellen verwenden Laser der Klasse 1.
PELIGRO	Todas las interfaces de fibra óptica utilizan láser de clase 1.

GEFAHR	Die Installation und Entfernung der Einheit dürfen nur von qualifiziertem Personal ausgeführt werden.
PELIGRO	La instalación y desinstalación de la unidad debe llevarse a cabo solamente por personal cualificado.

GEFAHR	Ziehen Sie das Stromkabel aus allen Stromquellen, um sicherzustellen, dass dem Gerät kein Strom zugeführt wird.
PELIGRO	Para desconectar completamente la corriente del instrumento, desconecte el cordón de corriente de todas las fuentes de corriente.

GEFAHR	Falls für die Installation ein anderes Stromkabel erforderlich ist (wenn das mit dem Gerät gelieferte Kabel nicht passt), müssen Sie sicherstellen, dass Sie ein Stromkabel mit dem Siegel einer Sicherheitsbehörde verwenden, die für die Zertifizierung von Stromkabeln in Ihrem Land zuständig ist. Das Siegel ist Ihre Garantie, dass das Stromkabel sicher mit Ihrem Gerät verwendet werden kann.
PELIGRO	Si la instalación requiere un cordón de corriente distinto al que se ha suministrado con el instrumento, verifique que usa un cordón de corriente que venga con la marca de la agencia de seguridad que defina las regulaciones para cordones de corriente en su país. Esta marca será su garantía de que el cordón de corriente puede ser utilizado con seguridad con el instrumento.

GEFAHR	Stellen Sie sicher, dass die Stromkreise ordnungsgemäß geerdet sind. Benutzen Sie dann das mit dem Gerät gelieferte Stromkabel, um es an die Stromquelle anzuschließen.
PELIGRO	Verifique que circuitos de la fuente de corriente están conectados a tierra correctamente; luego use el cordón de potencia suministrado con el instrumento para conectarlo a la fuente de corriente.

GEFAHR	Stellen Sie sicher, dass das Gestell oder der Schrank für die Unterbringung des Geräts auf angemessene Weise gesichert ist, so dass das Gestell oder der Schrank nicht wackeln oder umfallen kann.
PELIGRO	Verifique que el bastidor o armario que alberga el instrumento está asegurado correctamente para evitar que pueda hacerse inestable o que caiga.

GEFAHR	Montieren Sie die Geräte im Gestell oder Schrank so tief wie möglich. Platzieren Sie das schwerste Gerät ganz unten, während leichtere Geräte je nach Gewicht (je schwerer desto tiefer) darüber untergebracht werden.
PELIGRO	Monte los instrumentos que instale en un bastidor o armario lo más bajos posible. Ponga el instrumento más pesado en la parte inferior y los instrumentos progresivamente más livianos más arriba.

GEFAHR	Aus Sicherheitsgründen sollte ein EGB-Armband zum Schutz von elektronischen gefährdeten Bauelementen mit einem 1 Megaohm-Reihenwiderstand ausgestattet sein.
PELIGRO	Por razones de seguridad, la correa de muñeca ESD deberá contener un resistor en serie de 1 mega ohmio.

GEFAHR	Die Verfahren in diesem Handbuch sind nur für qualifiziertes Wartungspersonal gedacht.
PELIGRO	Los procedimientos de este manual se han hecho para personal de servicio cualificado.

GEFAHR	Vergewissern Sie sich vor dem Verkabeln des Gleichstromsteckers bzw. dem Verbinden des Switches mit der Stromversorgung, dass die Versorgung der Zuleitungen am Netzschutzschalter unterbrochen bzw. die Verbindung mit der Stromschiene getrennt wurde.
PELIGRO	Antes de instalar el conector de CC o de conectar la alimentación al switch, asegúrese de que la alimentación de las líneas de alimentación esté desactivada en el disyuntor de alimentación o desconectada del bus de alimentación.

GEFAHR	Trennen Sie beide Netzkabel, bevor Sie Wartungsarbeiten durchführen.
PELIGRO	Desconecte ambos cables de alimentación antes de realizar reparaciones.

Spanish (only)

PELIGRO	<p>Instalación en bastidor</p> <p>Antes de instalar el conmutador en un bastidor, preste atención a los siguientes factores:</p> <ul style="list-style-type: none">• Temperatura: Como la temperatura en las instalaciones de bastidor podría ser más alta que la temperatura ambiente, verifique que la temperatura del ambiente del bastidor se encuentre dentro del intervalo de temperatura de operación especificado. También asegúrese de dejar un espacio adecuado alrededor de los huecos de ventilación del conmutador.• Carga mecánica: No coloque equipo alguno sobre la unidad instalada en el bastidor.• Sobrecarga de circuito: Asegúrese de que el circuito de alimentación que va hacia la instalación en el bastidor no esté sobrecargado.• Conexión a tierra: El equipo instalado en el bastidor debe conectarse a tierra adecuadamente. Debe prestársele atención especial a las conexiones de fuentes de alimentación que no sean las conexiones directas a la red eléctrica. <p>Para instalar los dispositivos en el bastidor:</p> <ol style="list-style-type: none">1 Anexe los soportes al dispositivo al usar los tornillos suministrados en el Kit para la instalación de los soportes.2 Instale el dispositivo en el bastidor al usar los cuatro tornillos para instalar el bastidor (no suministrados).
PELIGRO	<p>Cómo instalar un transceptor SFP opcional</p> <p>Estos conmutadores soportan transceptores compatibles con SFP. Para instalar un transceptor SFP, haga lo siguiente:</p> <ol style="list-style-type: none">1 Tome en cuenta los requisitos de la red y de cableado para seleccionar un transceptor SFP adecuado.2 Introduzca el transceptor con el conector óptico con la cara hacia fuera y el conector ranurado con la cara hacia abajo. Tenga en cuenta que los transceptores SFP tienen una guía especial para que puedan instalarse sólo en una dirección.3 Deslice el transceptor SFP hacia el interior de la ranura hasta que encaje en su lugar.
NOTA	<p>Los transceptores SFP se pueden intercambiar "en caliente". El conmutador no tiene que apagarse primero antes de instalar o retirar un transceptor. Sin embargo, siempre debe desconectar primero el cable de red antes de retirar el transceptor.</p>

NOTA	<p>Los transceptores SFP no se incluyen en el empaque del conmutador.</p> <p>Cómo conectar a tierra el chasis</p> <p>Antes de encender el conmutador, conecte a tierra el conmutador como se describe a continuación.</p> <ol style="list-style-type: none"> 1 Asegúrese de que el bastidor sobre el que se vaya a instalar el conmutador esté adecuadamente conectado a tierra y que cumpla con la norma ESTSI ETS 300 253. 2 Asegúrese de que exista una conexión eléctrica adecuada con el punto de conexión a tierra del bastidor (que no haya pintura o tratamiento aislante en la superficie). 3 Desconecte todos los cables de alimentación que van hacia el conmutador. <p>Cómo conectar a una fuente de alimentación</p> <ol style="list-style-type: none"> 4 El chasis del conmutador está conectado internamente a 0 V. El circuito está conectado al terminal de conexión a tierra de un solo hueco que está en la parte posterior del conmutador. El área de la superficie que está alrededor de este terminal no está pintada para suministrar una conexión adecuada. Anexe un cable de cobre trenzado calibre 18 AWG al terminal de conexión a tierra del conmutador. 5 Después conecte el cable de conexión a tierra en el punto de conexión a tierra del bastidor.
-------------	--

PRECAUCIÓN	<p>La conexión a tierra no deberá retirarse a menos que se hayan desconectado todas las conexiones de alimentación.</p> <p>Cómo conectar a una fuente de alimentación</p> <p>Estos conmutadores sólo soportan fuentes de alimentación duales con CA o CC.</p> <p>Cómo conectar la alimentación de CC</p> <p>Cuando use una fuente de alimentación de 20 V de CC, debe conectarse una fuente de alimentación externa de CC al conector de alimentación del lado izquierdo del panel frontal. La entrada de CC (fuente de CC) debe aislarse de la red eléctrica de CA por medio de un aislamiento reforzado.</p>
-------------------	--

PELIGRO	Retire ambos cables de alimentación antes de suministrar servicio.
----------------	--

PELIGRO	Antes de cablear el conector de CC o de conectar la energía al conmutador, asegúrese de que el suministro de energía que va hacia las líneas de alimentación haya sido suspendido en el disyuntor de alimentación o desconectado de la barra de alimentación.
----------------	---

NOTA	Para suministrar una protección adecuada al circuito entre la fuente de alimentación de CC y el conmutador, todo cableado y circuitos intermedios deberán tener una carga nominal equivalente de por lo menos el doble de la carga nominal máxima del conmutador (ver "Fuente de alimentación" en la página 34).
-------------	--

NOTA	En el caso de un sistema de CC, use un cable de conexión a tierra con un Calibre de alambre estadounidense (AWG) de por lo menos 18. El cable con calibre 18 AWG debe conectarse a un conector ondulado aprobado por la agencia (incluido en el chasis), que haya sido ondulado con la herramienta adecuada. El conector ondulado debe poder asegurarse a ambos tornillos con conexión a tierra de la carcasa. Como lengüeta de puesta a tierra, use un conector ondulado homologado por UL, P/N LCD6-10A y dos tornillos Phillips de cabeza plana 10-32 x 1/2". La posición de conexión a tierra está ubicada en el lado del chasis adyacente al símbolo de conexión a tierra.
-------------	---

NOTA	<p>El cableado de los terminales de entrada del conmutador se describen a continuación. El cableado de los terminales de la fuente de alimentación de CC dependerá de los equipos que estén en uso localmente, pero deberá cablearse de tal forma que cumpla con los requisitos de entrada que se muestran en "CONEXIONES CON ENCHUFE DE CC" en la página 16. El cableado deberá estar codificado con colores que estén en conformidad con las normas locales para garantizar que la potencia de entrada y que las líneas de conexión a tierra puedan distinguirse fácilmente.</p> <p>Para conectar el conmutador a una fuente de alimentación:</p> <ol style="list-style-type: none"> 1 Primero verifique que la energía de CC suministre 20 V de CC, 1.9 A, como mínimo. 2 Prepare dos cables para cada fuente de alimentación que se va a usar. Use un cable trenzado de 18 AWG. Asegúrese de que estos cables no estén conectados a la fuente de alimentación. 3 Use un pelador de cables para pelar cuidadosamente aproximadamente media pulgada del aislamiento exterior del extremo de cada cable, de modo que el cobre quede expuesto. 4 Trence las hebras de los cables de cobre de modo que formen una trenza apretada. De ser posible, suelde hasta juntar la trenza del cable que queda expuesta para lograr una mayor conductividad. 5 Conecte la fuente de alimentación externa y las líneas de conexión a tierra/de retorno al enchufe de CC (suministrado con el conmutador) como se muestra en el siguiente gráfico. Los enchufes están etiquetados en el frente del chasis, por encima del bloque de conexión de la fuente de alimentación de CC. La planta de alimentación de 20 V de CC usa las líneas de entrada de "20 V de CC". Use un destornillador pequeño de cabeza plana para aflojar los tornillos del enchufe y abrir la abrazadera metálica. <p>La instalación del equipo debe cumplir con los requisitos del código NEC/CEC. Consulte a las autoridades locales para obtener las regulaciones.</p> <ol style="list-style-type: none"> 6 Introduzca los terminales de los alambres en las aberturas que se muestran en el diagrama de abajo. Cada terminal que se introduzca en el enchufe debe corresponderse con el terminal conectado a la fuente de alimentación. Use la etiqueta que está encima del bloque de conexión de la fuente de alimentación de CC para identificar la potencia de entrada y las líneas de retorno y de conexión a tierra adecuadas.
-------------	--

PRECAUCIÓN	<p>Si los cables de alimentación se conectan en los huecos incorrectos, la fuente de alimentación no funcionará adecuadamente y podría dañar el conmutador.</p> <ol style="list-style-type: none"> 1 Empuje cada cable aproximadamente media pulgada hacia dentro de la abertura del enchufe y apriete la prensa de tornillo de manera segura. No debe ser posible halar el cable y desplazarlo. 2 Introduzca el enchufe en el tomacorriente del lado izquierdo del panel frontal. 3 En la fuente de alimentación, encienda la energía de las líneas de alimentación o de la barra de alimentación. 4 Verifique el indicador del LED de alimentación a medida cuando encienda el conmutador. Si no enciende, vuelva a verificar las conexiones de la fuente de alimentación y del cable de alimentación en la fuente de alimentación y en el módulo de conversión de energía. <p>Cómo conectar la fuente de alimentación de CA</p>
-------------------	--

PELIGRO	<p>Retire ambos cables de alimentación antes de suministrar servicio. Para conectar el conmutador a una fuente de alimentación de CA:</p> <ol style="list-style-type: none"> 1 Verifique primero que la fuente de alimentación de CA puede suministrar de 100 a 240 V de CA, 50-60 Hz, 0.8 A mínimo. 2 Conecte el cable de alimentación a una fuente de alimentación de CA, con conexión a tierra y 3 clavijas.
----------------	---

NOTA	<p>Para usarse internacionalmente, puede que usted tenga que cambiar el cable de red eléctrica de CA. Debe usar un cable de red eléctrica que haya sido aprobado para el tipo de tomacorriente de su país.</p> <ul style="list-style-type: none"> • Introduzca el enchufe en el otro extremo del cable de alimentación, directamente en el tomacorriente del conmutador.
NOTA	<ol style="list-style-type: none"> 1 Entrada de CA 2 Puntos de conexión a tierra 3 Verifique que el indicador del LED de alimentación se encienda cuando encienda la unidad. Si no enciende, vuelva a verificar las conexiones de la fuente de alimentación y del cable de alimentación en la fuente de alimentación y en el conmutador.
PRECAUCIÓN	<p>Todos los dispositivos con fuentes de alimentación de CC han sido diseñados para instalarse exclusivamente en áreas con acceso restringido. Un área con acceso restringido es un área a la que tiene acceso sólo el personal de servicio a través de una herramienta, seguro y llave especial o por otros medios de seguridad, y que está controlada por la autoridad responsable de la instalación.</p>
PRECAUCIÓN	<p>Para el circuito de entrada de CC de un Brocade 6910, asegúrese de que exista un disyuntor homologado por UL, de 5 amperes, con un mínimo 20 V de CC, bipolar, en las lengüetas de entrada de la fuente de alimentación. El cableado de entrada de la conexión al producto debe consistir en cable de cobre homologado calibre 18 AWG, marcado VW-1 y con una temperatura nominal mínima de 90 °C.</p>
PRECAUCIÓN	<p>No instale el dispositivo en un entorno en el que la temperatura ambiente de operación pueda sobrepasar los 65 °C (149 °F).</p>
PRECAUCIÓN	<p>Asegúrese de que el dispositivo no sobrecargue los circuitos de alimentación, el cableado y la protección contra sobrecorriente. Para determinar la posibilidad de una sobrecarga en los circuitos de alimentación, sume las cantidades nominales de los amperes (amp) de todos los dispositivos instalados en el mismo circuito en que se encuentra el dispositivo. Compare este total con el límite de los valores nominales del circuito. Los valores nominales máximos de los amperes por lo general están impresos en los dispositivos, cerca de los conectores potencia de entrada.</p>
PRECAUCIÓN	<p>Asegúrese de que el flujo de aire alrededor del lado frontal, de los lados y de la parte posterior del dispositivo no esté restringido.</p>
PRECAUCIÓN	<p>Use un circuito derivado para cada cable de alimentación de CA, que suministre redundancia en caso de que uno de los circuitos falle.</p>
PRECAUCIÓN	<p>Todos los dispositivos con fuentes de alimentación de CC han sido diseñados para instalarse exclusivamente en áreas con acceso restringido. Un área con acceso restringido es un área a la que solo tiene acceso el personal de servicio a través de una herramienta, seguro y llave especial o por otros medios de seguridad, y que está controlada por la autoridad responsable de la instalación.</p>

PRECAUCIÓN	En el caso de un sistema Brocade 6910 de CA, use un cable de conexión a tierra con un Calibre de alambre estadounidense (AWG) de por lo menos 18. El cable de conexión a tierra debe tener un conector ondulado aprobado por la agencia (incluido en el chasis) conectado en un extremo, con el otro extremo conectado a la conexión a tierra del edificio. El conector debe ondularse con la herramienta adecuada, de modo que ambos tornillos puedan conectarse a los tornillos de conexión a tierra de la carcasa.
PRECAUCIÓN	Asegúrese de no sobrepasar el radio de curvatura mínimo recomendado para los cables: 1.5" para la Categoría 5 (RJ45) y los cables de fibra óptica.
PRECAUCIÓN	Los cambios o modificaciones que se hagan a este dispositivo que no sean las expresamente aprobadas por la parte responsable del cumplimiento podrían anular la autoridad del usuario para operar el equipo.
PELIGRO	Radiación láser. No visualice directamente con instrumentos ópticos. Productos láser de la Clase 1M.
PELIGRO	Todos los interfaces de fibra óptica usan lasers de la Clase 1.
PELIGRO	La instalación y remoción de la unidad debe ser llevada a cabo exclusivamente por personal calificado.
PELIGRO	Desconecte el cable de alimentación de todas las fuentes de alimentación para anular completamente la energía del dispositivo.
PELIGRO	Si para la instalación se necesita un cable de alimentación diferente al suministrado con el dispositivo, asegúrese de usar un cable de alimentación que tenga la marca de la agencia de seguridad que define las regulaciones de los cables de alimentación de su país. La marca es la garantía de que el cable de alimentación puede usarse de manera segura con el dispositivo.
PELIGRO	Asegúrese de que los circuitos de la fuente de alimentación estén conectados a tierra adecuadamente. A continuación, use el cable de alimentación suministrado con el dispositivo para conectarlo a la fuente de alimentación.
PELIGRO	Asegúrese de que el dispositivo haya sido asegurado adecuadamente al bastidor o carcasa del gabinete para evitar que haya inestabilidad en el mismo o que se caiga.
PELIGRO	Cuando instale los dispositivos en un bastidor o gabinete, hágalo lo más bajo posible. Coloque el dispositivo más pesado en la parte inferior y progresivamente coloque los dispositivos más ligeros encima.
PELIGRO	Por motivos de seguridad, la correa de muñeca debe contener una serie de resistores de 1 megaohmio.

PELIGRO	Los procedimientos incluidos en este manual están dirigidos al personal de servicio calificado.
----------------	---

Chinese (Traditional)

報驗義務人：臺灣博科通信系統有限公司

聯絡地址：台北市基隆路一段 200 號 4F

實體特性	連接埠 12 combination SFP/RJ-45 ports, 10/100/1000 Mbps, with auto-negotiation 12 埠 SFP/RJ-45 連接埠，10/100/1000 Mbps，具備自動協調傳輸速率功能 1 個 1000BASE-T 管理連接埠 網路介面 連接埠 1-12：RJ-45 接頭，自動 MDI/X 10BASE-T: RJ-45 (100 Ω，UTP 纜線 cable；Category 3 或以上線材) 100BASE-TX: RJ-45 (100 Ω，UTP 纜線；Category 5 或以上線材) 1000BASE-T: RJ-45 (100 Ω，UTP 或 STP 纜線；Category 5、5e)
------	--

實體特性	<p>* 最大纜線長度 - 100 公尺 (328 英尺)</p> <p>緩衝架構</p> <p>4 M 位元封包緩衝</p> <p>傳輸總頻寬</p> <p>24Gbps 交換資料庫</p> <p>8K MAC 位址項目，1024 靜態 MAC 位址；</p> <p>LED 指示燈</p> <p>系統：電源、診斷、管理、主要警報、次要警報</p> <p>連接埠：狀態 (連線、速度及活動)</p> <p>連接埠：SFP 存在</p> <p>3.2 kg (7.5 lbs) 重量</p> <p>尺寸</p> <p>(寬 x 深 x 高)：252 mm x 440 mm x 44 mm (9.92 x 17.32 x 1.73 in.)</p> <p>溫度</p> <p>操作：-40°C 至 65°C (-40°F 至 149°F)</p> <p>儲存：-40°C 至 70°C (-40°F 至 158°F)</p> <p>濕度：</p> <p>操作：10% 至 90% (非冷凝)</p> <p>AC 輸入</p> <p>100 至 240 V，50-60 Hz，0.8A (最高)</p> <p>DC 輸入</p> <p>20-60 Vdc，1.9 A (最高)</p> <p>供電</p> <p>內部自動設換範圍變壓器：100 至 240 VAC，50 至 60 Hz (適用於 Brocade 6910 光纖通道交換機 -EAS-AC)</p> <p>內部自動設換範圍變壓器：20 至 60 Vdc (適用於 Brocade 6910 光纖通道交換機 -EAS-DC)</p> <p>耗電量</p> <p>最高 27 瓦特</p> <p>最高電流</p> <p>0.8 A @ 100 VAC, 0.4 A @ 240 VAC</p> <p>1.9 A @ 20-60 Vdc</p> <p>交換器特色</p> <p>傳送模式</p> <p>儲存後傳送</p> <p>傳輸量</p>
------	---

實體特性	<p>支援線速交換能力 流量控制 全雙工：IEEE 802.3x 半雙工：背壓 管理特色 頻內管理 Web、Telnet、SSH 或 SNMP 管理程式 頻外管理 RS-232 RJ-45 控制埠 軟體載入 TFTP 頻內或 X Modem 頻外 標準 IEEE 802.3-2005 乙太網路、高速乙太網路、超高速乙太網路 全雙工流量控制 IEEE 802.1D 跨距樹狀目錄通訊協定 IEEE 802.1w 快速跨距樹狀目錄通訊協定 IEEE 802.1s 多重跨距樹狀目錄通訊協定 IEEE 802.1Q 虛擬區域網路 ISO/IEC 8802-3 CSMA/CD 法規遵循 放射 EN 55022:2007, Class A EN 61000-3-2:2006, Class A EN 61000-3-3:2005 抗擾性 EN 55024:2001 + A2:2003 IEC 61000-4-2/3/4/5/6/8/11 安全 CSA (CSA 22.2 NO 60950-1 & UL 60950-1) CB (IEC/EN60950-1) TUV/GS (EN60950-1)</p>
------	---

實體特性	<p>機架安裝</p> <p>交換器機架安裝前，請特別注意以下幾點：</p> <ul style="list-style-type: none"> • 溫度：由於機架組件內的溫度可能高於環境溫度，請確定機架環境溫度，介於指定的操作溫度範圍內。另外，務必在交換器的通風孔周圍，保留適當的空間。 • 機械負載：請勿將任何設備，放置於機架式裝置的上方。 • 電路超載：請確定機架組件的供電電路沒有超載。 • 接地：機架式設備應正確接地。要特別注意供電連接，而非電源的直接連接。
實體特性	<p>若要為裝置安裝機架：</p> <p>使用托架安裝套件所附的螺絲，將托架安裝至裝置。</p> <p>使用四顆機架安裝螺絲（未隨附），將裝置安裝至機架。</p>
實體特性	<p>安裝選配的 SFP 收發器</p> <p>這些交換器支援 SFP 相容收發器。安裝 SFP 收發器，請執行下列操作：</p> <ol style="list-style-type: none"> 1. 考量您的網路及接線需求，選擇適合的 SFP 收發器型式。 2. 將配備光纖接頭的收發器朝向外側，並將插槽接頭朝向下 方，將收發器插入裝置。請注意，SFP 收發器採鍵合設計，只能以一個方向安裝。 3. 將 SFP 收發器推入插槽，直到固定至定位。
備註	<p>SFP 收發器為熱插拔式裝置。安裝或移除收發器前，不需要關閉交換器。不過在移除收發器前，務必先拔出網路線。</p>
備註	<p>SFP 收發器不包含在交換器產品內。</p>

備註	<p>機箱接地 在開啓交換器的電源前，請依下列說明，將交換器確實接地。</p> <ol style="list-style-type: none"> 1. 確定要安裝至交換器的機架有正確接地，並符合 ETSI ETS 300 253。 2. 確定機架上的接地點有良好的電氣連接 (沒有經過漆面或絕緣表面處理)。 <p>中斷交換器所有電源線的連接。</p> <p>連接電源 交換器機箱內接 0 V 電源。此電路連接至交換器背面的單孔接地端。為提供良好的連接，此端子周圍的表面區域，沒有經過漆面處理。將 18 AWG 銅絞線連接至交換器上的接地端。接著將接地線連接至機架上的接地點。</p>
注意	未中斷所有供電連接前，不得移除接地連接。
注意	<p>連接電源 這些交換器支援 AC/DC 雙電源供應器。</p> <p>連接 DC 電源 使用 20-60 Vdc 電源時，外部 DC 電源供應器，必須連接至前面板左側的 DC 電源接頭。DC 輸入 (DC 電源) 必須運用加強絕緣，以隔離 AC 電源。</p>
危險	維修前，請拔出兩條電源線。
危險	連接 DC 插頭、或接通交換器電源前，務必從電路器關閉，或從電源匯流排中斷饋電線的電源。
備註	為了在 DC 電源供應器與交換器之間，提供適當的電路保護，所有中間接線及電路系統的額定值，應至少能承受此交換器最高額定值兩倍以上的負載 (請參閱第 34 頁的 〈 電源供應 〉)。
備註	對於 DC 系統，請使用至少 18 AWG (美國線規) 的接地線。18 AWG 接地線應連接至主管機關核准的壓接式接頭 (機箱上有提供)，並使用適合的工具進行壓接。壓接式接頭必須能緊固機殼上的兩個接地螺絲。對於接地片，請使用 UL-listed Panduit 壓接式接頭 (P/N LCD6-10A) 及兩顆 10-32、PPH、1/2 螺絲，將壓接式接頭固定至機箱。接地位置在緊鄰接地符號的機箱側邊。

備註	<p>交換器上的電源輸入端子接線，如下所述。DC 供電端子的接線，根據現場所使用的設備而定，不過接線方式必須符合第 16 頁〈DC 插頭連接〉所述的輸入需求。此外，接線必須依當地標準標示顏色，確保能輕易辨識輸入電源與接地線。</p> <p>連接交換器至電源：</p> <ol style="list-style-type: none"> 1. 首先確認 DC 電源能提供 20-60 Vdc、1.9A 的輸入。 2. 為您要使用的每個供電來源準備兩條纜線。請使用 18 AWG 銅絞線，確定上述纜線未插入供電來源。 3. 使用剝線器，從每條纜線的一端，小心剝除大約半英吋的外部絕緣層，使銅芯露出。 4. 將兩條銅線互絞，編成緊繞的辮子線。如果情況允許，將無遮蔽的辮子線焊在一起，可提供更好的傳導性。 5. 將外接的饋電及電源接地 / 回線，連接至下圖所示的 DC 插頭 (交換器隨附)。在機箱正面、DC 電源接線板的上方，有提供插頭的標示。-48 VDC 電源饋送使用「-48VDC」電源線。使用小型一字頭螺絲起子，鬆開電源插頭上的螺絲，然後開啓電線夾。
備註	<p>本設備的安裝必須符合 NEC/CEC 規定的要求。相關法規請洽詢當地主管機關。</p>
備註	<p>將導線插入下圖所示的開孔。每條插入電源插頭的導線，皆必須符合連接至供電來源的導線。利用 DC 電源接線板上的標籤，確認相應的電源輸入線及回線或接地線。</p>
注意	<p>若電源導線插入錯誤的插孔，電源供應器無法正常運作，並可能損壞交換器。</p>
注意	<p>每條導線取大約半英吋的長度，插入插頭上的插孔，再將夾緊螺絲向下緊固。這時您應該無法拉出或移動導線。</p>
注意	<p>將電源插頭插入前面板左側的電源插座。</p>
注意	<p>找到供電來源，開啓饋電線或電源匯流排的電源。</p>
注意	<p>交換器開啓時，檢查電源 LED 指示燈。若沒有開啓，重新檢查供電來源、及電源轉換模組的電源供應器和電源線連接。</p>

危險	<p>連接 AC 電源 維修前請拔出兩條電源線。 連接交換器至 AC 電源： 首先確認外部 AC 電源能提供 100 至 240 VAC、50-60 Hz、0.8 A (最低) 的輸入。 將電源線插入已接地的 3 針腳 AC 供電來源。</p>
備註	<p>國外使用可能需要更換 AC 電源線。您必須使用所在國家核准之插座型式的電源線組。 將電源線另一端的插頭，直接插入交換器上的插座。</p>
備註	<p>交換器開啓時，檢查電源 LED 指示燈。若沒有開啓，重新檢查供電來源、及交換器的電源供應器和電源線連接。</p>
注意	<p>所有使用 DC 電源的裝置，僅限安裝於進出管制區。進出管制區係指，須由維修人員使用特殊工具、鎖頭、鑰匙或其他安全措施始得進入，並受該地負責單位所管制的區域。</p>
注意	<p>對於 Brocade 6910 系統的 DC 輸入電路，確定電源供應器的輸入接片上，有使用 UL-Listed 5 安培斷路器 (最低 20 Vdc，雙極)。連接至產品的輸入接線，應使用有 Listed 字樣的銅線、18 AWG、標示 VW-1 及額定最小 90°C。</p>
注意	<p>請勿將裝置安裝在操作溫度可能會超過 65° C (149° F) 的環境。</p>
注意	<p>確定裝置沒有超載電源電路、接線及過電流保護。若要判斷超載供電電路的可能性，請將相同電路上所有安裝裝置的安培 (amp) 額定值相加。比較此總計值與電路的額定限制值。最高安培額定值，通常是印在裝置上靠近輸入電源接頭之處。</p>
注意	<p>確定裝置正面、側面及背面的空氣流動不受限制。</p>
注意	<p>每條 AC 電源線使用獨立的分支電路，萬一發生電路故障，便可提供備援能力。</p>

注意	所有使用 AC 電源的裝置，僅限安裝於進出管制區。進出管制區係指，須由維修人員使用特殊工具、鎖頭、鑰匙或其他安全措施，始得進入的區域。
注意	對於 Brocade 6910 AC 系統，請使用至少 18 AWG (美國線規) 的接地線。接地線應以主管機關核准的壓接式接頭 (機箱上有提供) 連接至一端，另一端則進行接地。接頭必須以適當的工具壓接，使其連接至機殼上的兩個接地螺絲。
注意	切勿超過纜線的最小建議彎曲半徑：Category 5 (RJ45) 及光纖纜線為 1.5 英吋。
注意	未經規範權責單位之明確核准，逕自對本裝置進行變更或修改，可能導致使用者喪失操作設備之權利。
危險	雷射輻射。請勿直視光學儀器。Class 1M 雷射產品。
危險	所有光纖介面皆使用 Class 1 雷射。
危險	裝置的安裝及移除作業，僅限由合格的人員執行。
危險	中斷所有電源的電源線連接，將裝置的電源完全移除。
危險	若安裝作業需要使用不同於裝置所附的電源線，請確定您使用的電源線，標有所在國家負責制定電源線規範之安全機構的標誌。這個標誌保證，該電源線能安全用於裝置。
危險	確定電源電路正確接地，接著將裝置所附的電源線連接至供電來源。
危險	確定裝載裝置的機架或機箱固定妥當，避免發生不穩或倒下。
危險	安裝於機架或機箱的各裝置，儘可能裝設在低處。將最重的裝置放置於最下層，越輕的裝置放置在越上層。
危險	基於安全考量，ESD 腕帶必須含有一個一百萬歐姆串聯電阻。
危險	本手冊所載之程序，僅適用於合格的維修人員。

Taiwan BSMI Statement

警告	這是甲種資訊產品，在居住環境中使用時，可能會造成射頻干擾，在這種情況下，使用者會被要求採取某些適當的對策。
----	---

Glossary

10BASE-T

IEEE 802.3 specification for 10 Mbps Ethernet over two pairs of Category 3, 4, or 5 UTP cable.

100BASE-FX

IEEE 802.3 specification for 100 Mbps Ethernet over two strands of 50/125, 62.5/125 micron, or 9/125 micron core fiber cable.

100BASE-TX

IEEE 802.3u specification for 100 Mbps Ethernet over two pairs of Category 5 UTP cable.

1000BASE-T

IEEE 802.3ab specification for Gigabit Ethernet over 100-ohm Category 5, 5e or 6 twisted-pair cable (using all four wire pairs).

1000BASE-LHX

Long-haul Gigabit Ethernet over two strands of 9/125 micron core fiber cable.

1000BASE-LX5

Long-haul Gigabit Ethernet over two strands of 9/125 micron core fiber cable.

1000BASE-LX15

Long-haul Gigabit Ethernet over two strands of 9/125 micron core fiber cable.

1000BASE-ZX

Long-haul Gigabit Ethernet over two strands of 9/125 micron core fiber cable.

1000BASE-T

IEEE 802.3ab specification for Gigabit Ethernet over 100-ohm Category 5, 5e or 6 twisted-pair cable (using all four wire pairs).

Auto-Negotiation

Signalling method allowing each node to select its optimum operational mode (e.g., speed and duplex mode) based on the capabilities of the node to which it is connected.

Bandwidth

The difference between the highest and lowest frequencies available for network signals. Also synonymous with wire speed, the actual speed of the data transmission along the cable.

Collision Domain

Single CSMA/CD LAN segment.

CSMA/CD

CSMA/CD (Carrier Sense Multiple Access/Collision Detect) is the communication method employed by Ethernet, Fast Ethernet, and Gigabit Ethernet.

End Station

A workstation, server, or other device that does not forward traffic.

Ethernet

A network communication system developed and standardized by DEC, Intel, and Xerox, using baseband transmission, CSMA/CD access, logical bus topology, and coaxial cable. The successor IEEE 802.3 standard provides for integration into the OSI model and extends the physical layer and media with repeaters and implementations that operate on fiber, thin coax and twisted-pair cable.

Fast Ethernet

A 100 Mbps network communication system based on Ethernet and the CSMA/CD access method.

Full Duplex

Transmission method that allows two network devices to transmit and receive concurrently, effectively doubling the bandwidth of that link.

Gigabit Ethernet

A 1000 Mbps network communication system based on Ethernet and the CSMA/CD access method.

IEEE

Institute of Electrical and Electronic Engineers.

IEEE 802.3

Defines carrier sense multiple access with collision detection (CSMA/CD) access method and physical layer specifications.

IEEE 802.3ab

Defines CSMA/CD access method and physical layer specifications for 1000BASE-T Gigabit Ethernet. (Now incorporated in IEEE 802.3-2005.)

IEEE 802.3u

Defines CSMA/CD access method and physical layer specifications for 100BASE-TX Fast Ethernet. (Now incorporated in IEEE 802.3-2005.)

IEEE 802.3x

Defines Ethernet frame start/stop requests and timers used for flow control on full-duplex links. (Now incorporated in IEEE 802.3-2005.)

IEEE 802.3z

Defines CSMA/CD access method and physical layer specifications for 1000BASE Gigabit Ethernet. (Now incorporated in IEEE 802.3-2005.)

LAN Segment

Separate LAN or collision domain.

LED

Light emitting diode used for monitoring a device or network condition.

Local Area Network (LAN)

A group of interconnected computer and support devices.

Media Access Control (MAC)

A portion of the networking protocol that governs access to the transmission medium, facilitating the exchange of data between network nodes.

MIB

An acronym for Management Information Base. It is a set of database objects that contains information about the device.

Modal Bandwidth

Bandwidth for multimode fiber is referred to as modal bandwidth because it varies with the modal field (or core diameter) of the fiber. Modal bandwidth is specified in units of MHz per km, which indicates the amount of bandwidth supported by the fiber for a one km distance.

Network Diameter

Wire distance between two end stations in the same collision domain.

Redundant Power Supply (RPS)

A backup power supply unit that automatically takes over in case the primary power supply should fail.

RJ-45 Connector

A connector for twisted-pair wiring.

Switched Ports

Ports that are on separate collision domains or LAN segments.

TIA

Telecommunications Industry Association

Transmission Control Protocol/Internet Protocol (TCP/IP)

Protocol suite that includes TCP as the primary transport protocol, and IP as the network layer protocol.

User Datagram Protocol (UDP)

UDP provides a datagram mode for packet-switched communications. It uses IP as the underlying transport mechanism to provide access to IP-like services. UDP packets are delivered just like IP packets – connection-less datagrams that may be discarded before reaching their targets. UDP is useful when TCP would be too complex, too slow, or just unnecessary.

UTP

Unshielded twisted-pair cable.

Virtual LAN (VLAN)

A Virtual LAN is a collection of network nodes that share the same collision domain regardless of their physical location or connection point in the network. A VLAN serves as a logical workgroup with no physical barriers, allowing users to share information and resources as though located on the same LAN.

Index

Numerics

10/100/1000BASE-T ports, 5
10/100BASE-TX port pinout, 28
1000BASE-T pin assignments, 29
1000BASE-T port pinouts, 29, 30
10BASE-T/100BASE-TX pin assignments, 27

A

AC input, 32
AC power, 7
adjusting category 5 cable for 1000BASE-T, 30
alarm interface port, 5
attach brackets, 12
attaching adhesive feet, 11
audience, *xi*

B

buffer architecture, 31

C

cable testing for existing category 5 cable, 29
cables, 27
cabling guidelines, 23
compliances, 33
connecting AC power, 18
connecting DC power, 15
connecting network devices, 23
connecting to a power source, 14
connecting to PCs, servers, hubs and switches, 23
connecting to the alarm port, 20
connecting to the console port, 18
console cable, 19
console port, 5
copyright, *ii*

crossover wiring, 28

D

D-15 pin out, 20
DC input, 32
DC plug connections, 16, 17
DC power, 7
description of hardware, 4
desktop or shelf mounting, 11
diagnosing switch indicators, 25

E

emissions, 33
equipment checklist, 10
Ethernet cabling, 10
external alarm I/O connectors, 21

F

fiber optic SFP devices, 24
fiber standards, 30
flow control, 33
forwarding mode, 32

G

glossary, 63
grounding the chassis, 13

H

humidity, 32

I

- immunity, 34
- in-band access troubleshooting, 25
- in-band mangement, 33
- installing an optional SFP transceiver, 13
- installing in a rack, 12
- installing the switch, 9
- introduction, 1

L

- LEDs, 31

M

- making network connections, 23
- making SFP connections, 24
- management port, 5
- managment features, 33
- maximum current, 32
- mounting, 11

N

- network interface, 31
- network management options, 3

O

- out-of-band management, 33

P

- package contents, 10
- physical characteristics, 31
- port and system LEDs, 5
- ports description, 31
- power consumption, 32
- power supply, 32
- power supply sockets, 7

R

- rack mounting, 11
- related publications, *xii*

S

- safety, 34
- selecting a site, 9
- SFP slots, 4
- size, 32
- software loading, 33
- specifications, 31
- standards, 33
- straight-through wiring, 28
- supported hardware, *xi*
- switch architecture, 3
- switch features, 32
- switching database, 31
- system status LEDs, 20

T

- technical support, *xiii*
- temperature, 32
- throughput, 33
- troubleshooting, 25
- twisted-pair cable and pin assignments, 27
- twisted-pair devices, 23

W

- weight, 31
- wiring map for alarm cable, 20
- wiring map for serial cable, 19

Free Manuals Download Website

<http://myh66.com>

<http://usermanuals.us>

<http://www.somanuals.com>

<http://www.4manuals.cc>

<http://www.manual-lib.com>

<http://www.404manual.com>

<http://www.luxmanual.com>

<http://aubethermostatmanual.com>

Golf course search by state

<http://golfingnear.com>

Email search by domain

<http://emailbydomain.com>

Auto manuals search

<http://auto.somanuals.com>

TV manuals search

<http://tv.somanuals.com>