



FACSIMILE EQUIPMENT

PARTS REFERENCE LIST

MODEL: MFC9760 / MFC9860 / MFC9880
(For Germany / United Kingdom / France /
Norway / Belgium / Netherlands /
Switzerland / Ireland / Denmark /
Austria / Spain / Italy / Sweden /
Euro Generic)
(For Australia / New Zealand / Asia)

© Copyright Brother 2001

All rights reserved

No part of this publication may be reproduced in any form or by any means without permission in writing from the publisher.

Specifications are subject to change without prior notice.

NOTES FOR USING THIS PARTS REFERENCE LIST

1. In the case of ordering parts, it needs mentioning the following items:

- (1) Code
- (2) Q' ty
- (3) Description

Note: No orders without Parts Code or Tool No. can be accepted.

[Example]

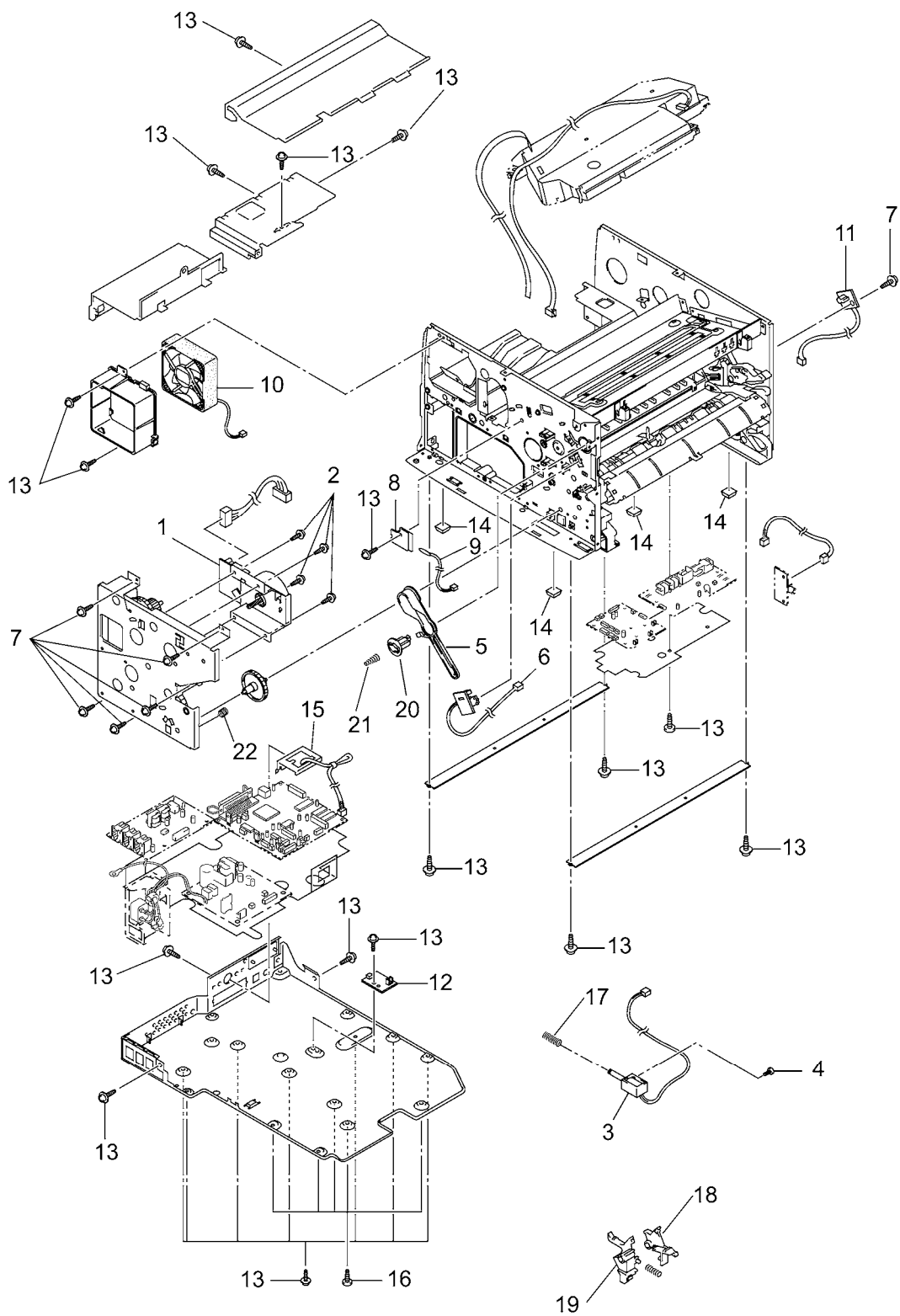
REF.NO.	CODE	Q' TY	DESCRIPTION	RECOMMEND	REMARKS

2. Parts change will be informed by the technical information.

COUNTRIES

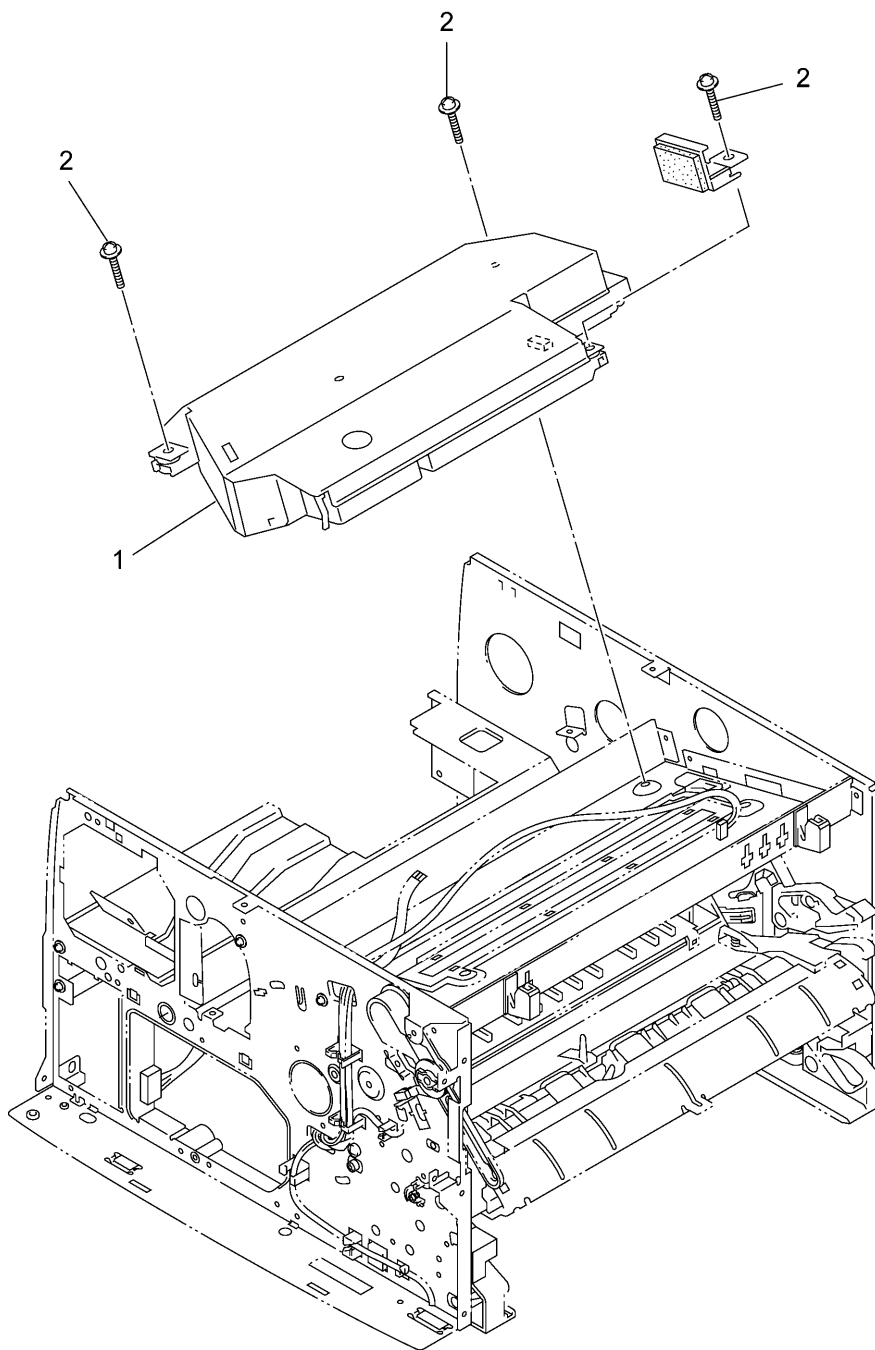
GERMANY ---- GER
UNITED KINGDOM ---- UK
FRANCE ---- FRA
NORWAY ---- NOR
BELGIUM ---- BEL
NETHERLANDS ---- NLD
SWITZERLAND ---- CHE
IRELAND ---- IRE
DENMARK ---- DEN
AUSTRIA ---- AUS
SPAIN ---- SPA
ITALY ---- ITA
SWEDEN ---- SWE
EURO GENERIC ---- GNR

AUSTRALIA ---- ARL
NEW ZEALAND ---- NZ
ASIA ---- ASA



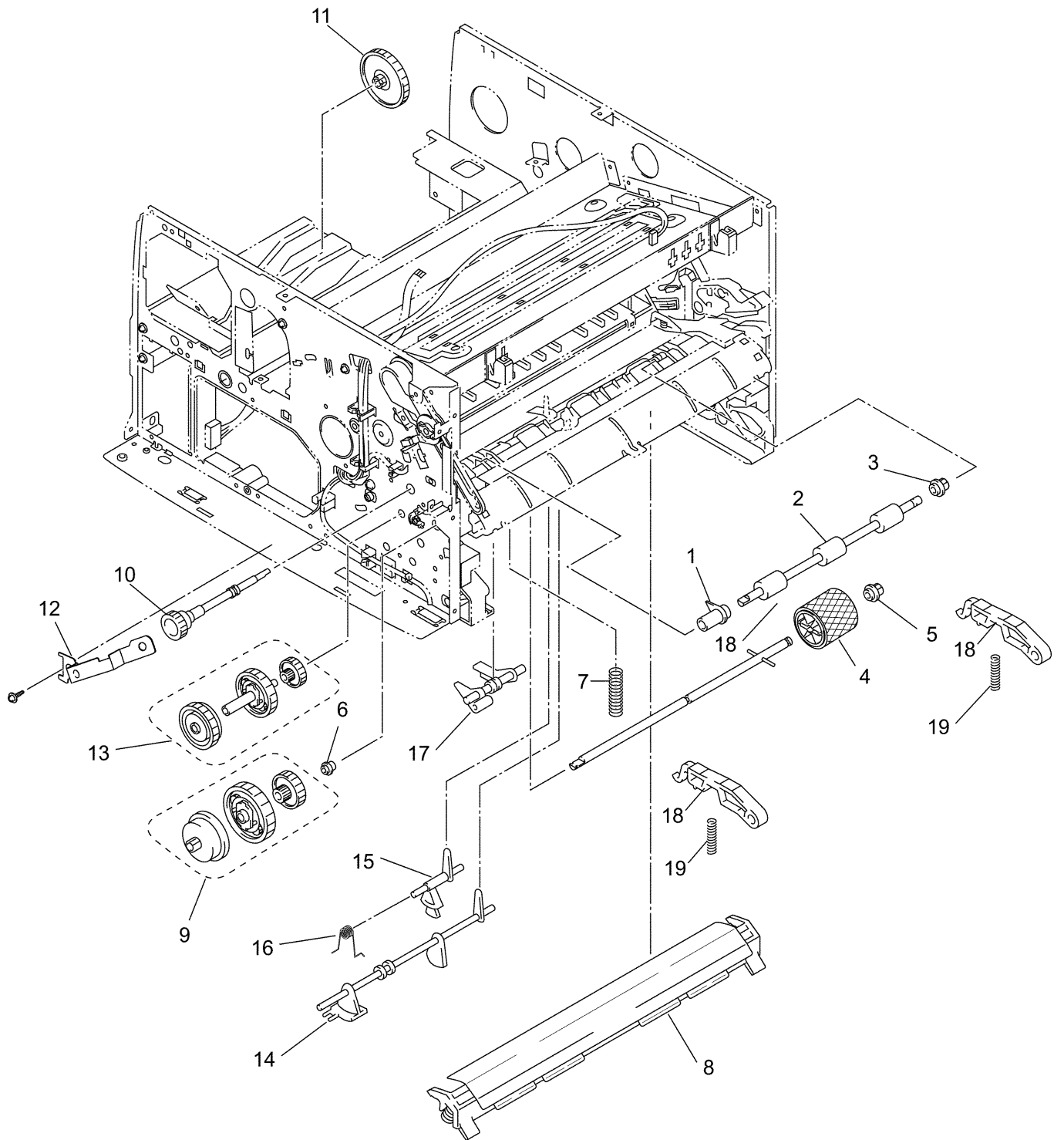
LIST1(MAIN FRAME)

REF No.	CODE	Q'TY	DESCRIPTION	RECOMMEND	REMARK	ORDER TO BIUK
1	LE1744001	1	MAIN MOTOR ASSY			
2	087320616	4	TAPTITE, CUP S M3X6			
3	LJ5701001	1	SOLENOID ASSY			
4	000300415	1	SCREW, BIND M3X4			
5	UL8984001	1	FRONT COVER LINK			
6	LJ5704001	1	TONER SENSOR (LED) PCB			
7	087320616	6	TAPTITE, CUP S M3X6			
8	LE1166001	1	THERMISTOR FILM			
9	LG2423001	1	IN CASING TEMPERATURE THERMISTOR			
10	LJ4745001	1	FAN			
11	UL9104001	1	TONER SENSOR (RECEIVER) PCB			
12	LG2438001	1	PAPER EJECTION SENSOR PCB			
13	087320616	21	TAPTITE, CUP S M3X6			
14	LJ7403001	4	RUBBER FOOT			
15	LJ8031001	1	2ND CASSETTE RELAY PCB			
16	085411215	5	SCREW, BIND B TITE M4X12			
17	LJ5703001	1	SOLENOID RELEASE SPRING			
18	UL8972001	1	P/R CLUTCH LEVER			
19	UL8971001	1	F/R CLUTCH LEVER			
20	UL8982001	1	DEVELOP JOINT			
21	UL8983001	1	JOINT SPRING			
22	UL8959001	1	FRICITION SPRING			



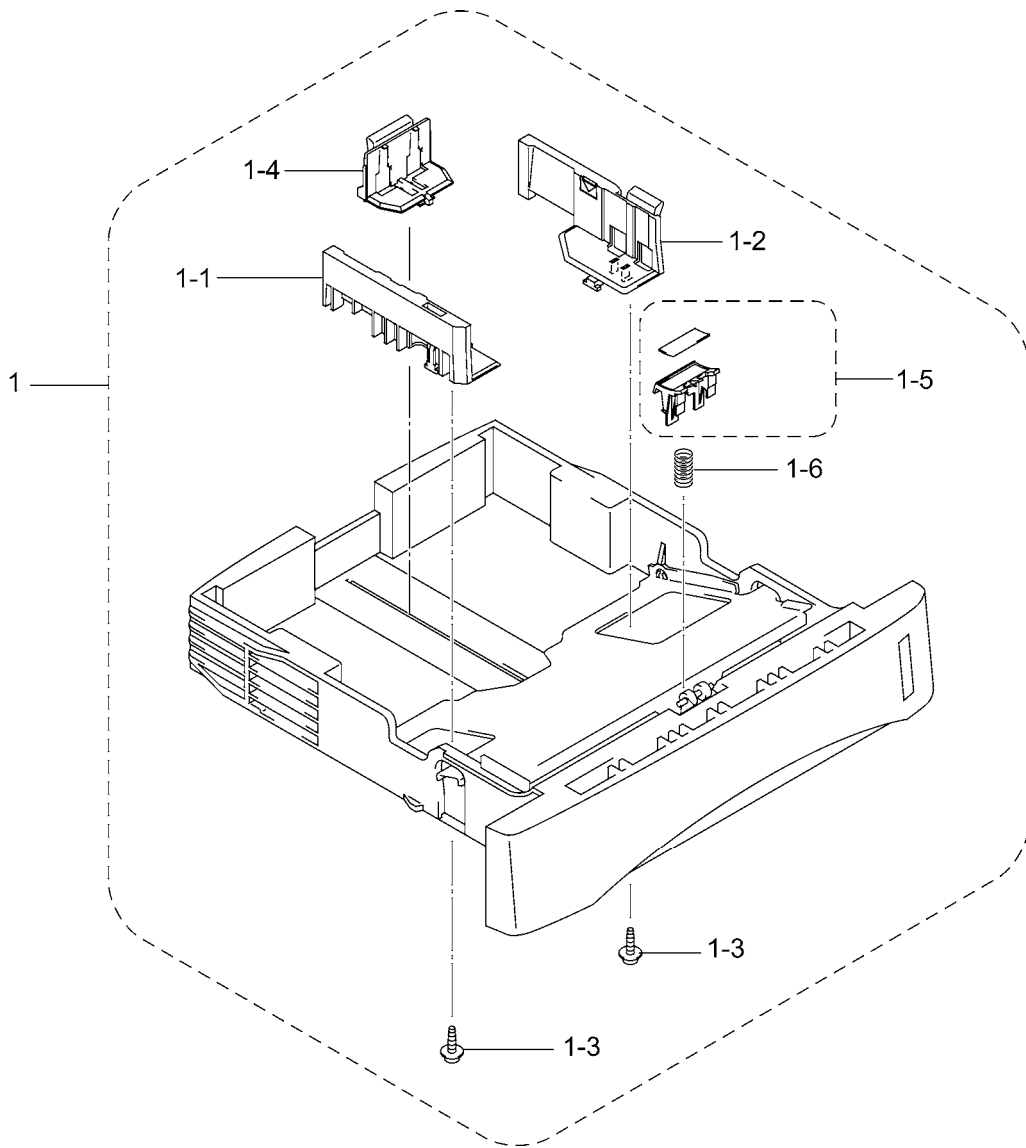
LIST2(LASER UNIT)

REF No.	CODE	Q'TY	DESCRIPTION	RECOMMEND	REMARK	ORDER TO BIUK
1	LJ5828001	1	LASER UNIT(SP)	√		
2	087321615	3	TAPTITE, CUP S M3X16			



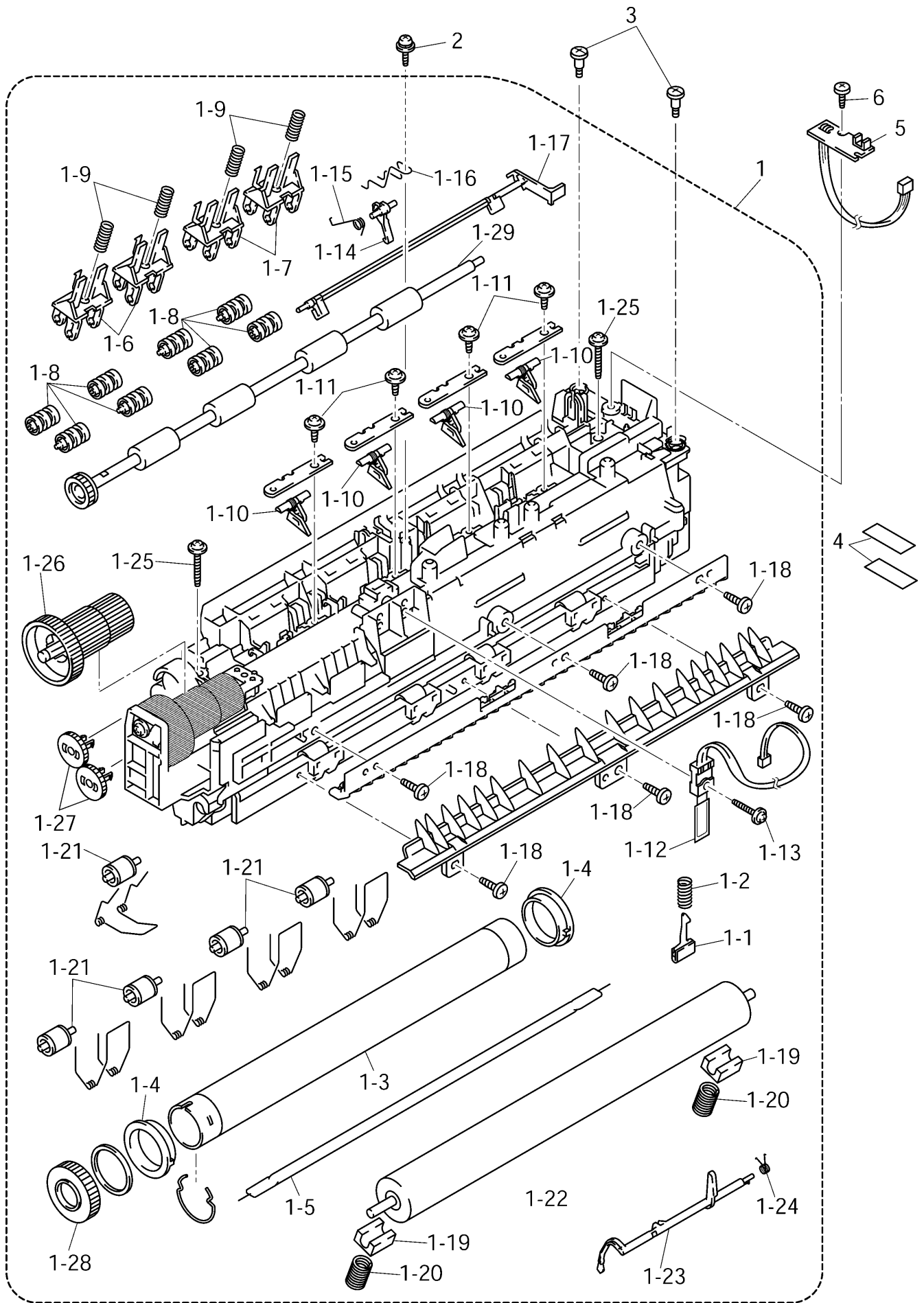
LIST3(PAPER TRANSPORT)

REF No.	CODE	Q'TY	DESCRIPTION	RECOMMEND	REMARK	ORDER TO BIUK
1	UL9059001	1	JOINT			
2	UL9060001	1	PAPER FEED ROLLER ASSY			
3	UL9062001	1	PAWLED BUSHING			
4	UL9066001	1	PAPER PICK-UP ROLLER			
5	UL9062001	1	PAWLED BUSHING			
6	UL9069001	1	CONDUCTOR BUSHING			
7	LJ4499001	1	ELECTRODE SPRING			
8	LJ4843001	1	OUTER CHUTE 1 (SP)			
9	LJ5591001	1	PICKUP ROLLER PLANETARY GEAR ASSY (SP)			
10	UL9070001	1	GEAR 21			
11	UL8985001	1	GEAR 59			
12	LJ5705001	1	GEAR 21 PRESSURE PLATE			
13	LJ5838001	1	FEED ROLLER PLANETARY GEAR ASSY (SP)			
14	UL9049001	1	MANUAL INSERTION SENSOR ACTUATOR			
15	UL9050001	1	REGISTRATION SENSOR ACTUATOR			
16	UL9051001	1	REGISTRATION SENSOR SPRING			
17	UU2042001	1	CASSETTE SENSOR ACTUATOR			
18	UL9053001	2	TRANSFER ARM		ADD	
19	UL9052001	2	TRANSFER SPRING		ADD	



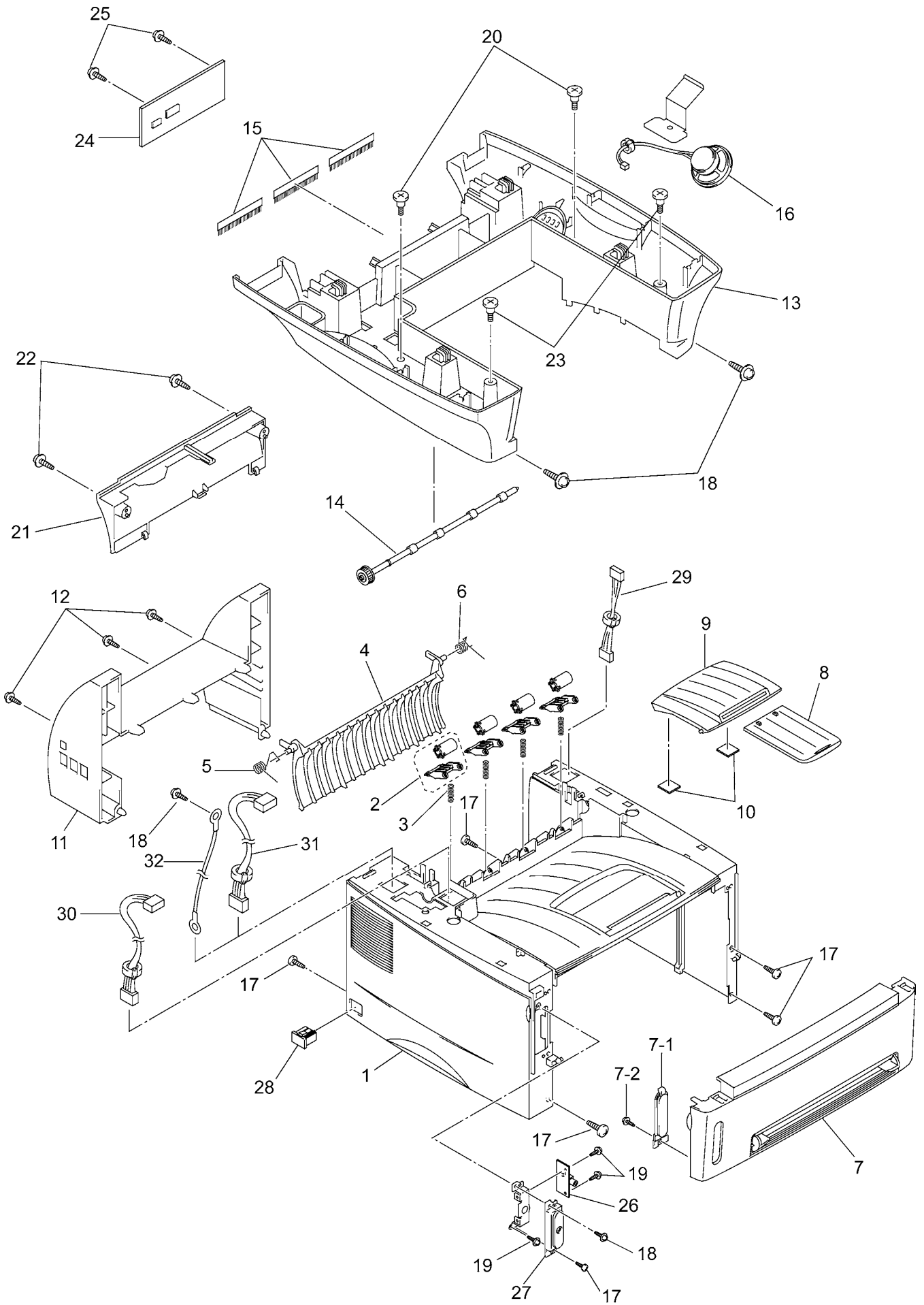
LIST4(PAPER TRAY)

REF No.	CODE	Q'TY	DESCRIPTION	RECOMMEND	REMARK	ORDER TO BIUK
1	LJ4181001	1	PAPER TRAY ASSY (SP)	√		
1-1	UL9078001	1	SIDE GUIDE L, BLUE(6155)			
1-2	UL9079001	1	SIDE GUIDE R, BLUE(6155)			
1-3	U73515001	2	SCREW, CUP B M2.6X5			
1-4	UL9083001	1	PAPER REAR GUIDE, BLUE(6155)			
1-5	UL9084001	1	SEPARATION PAD SUPPORT ASSY			
1-6	UL9090001	1	SEPARATION PAD SPRING			



LIST5(HEAT FIXING UNIT)

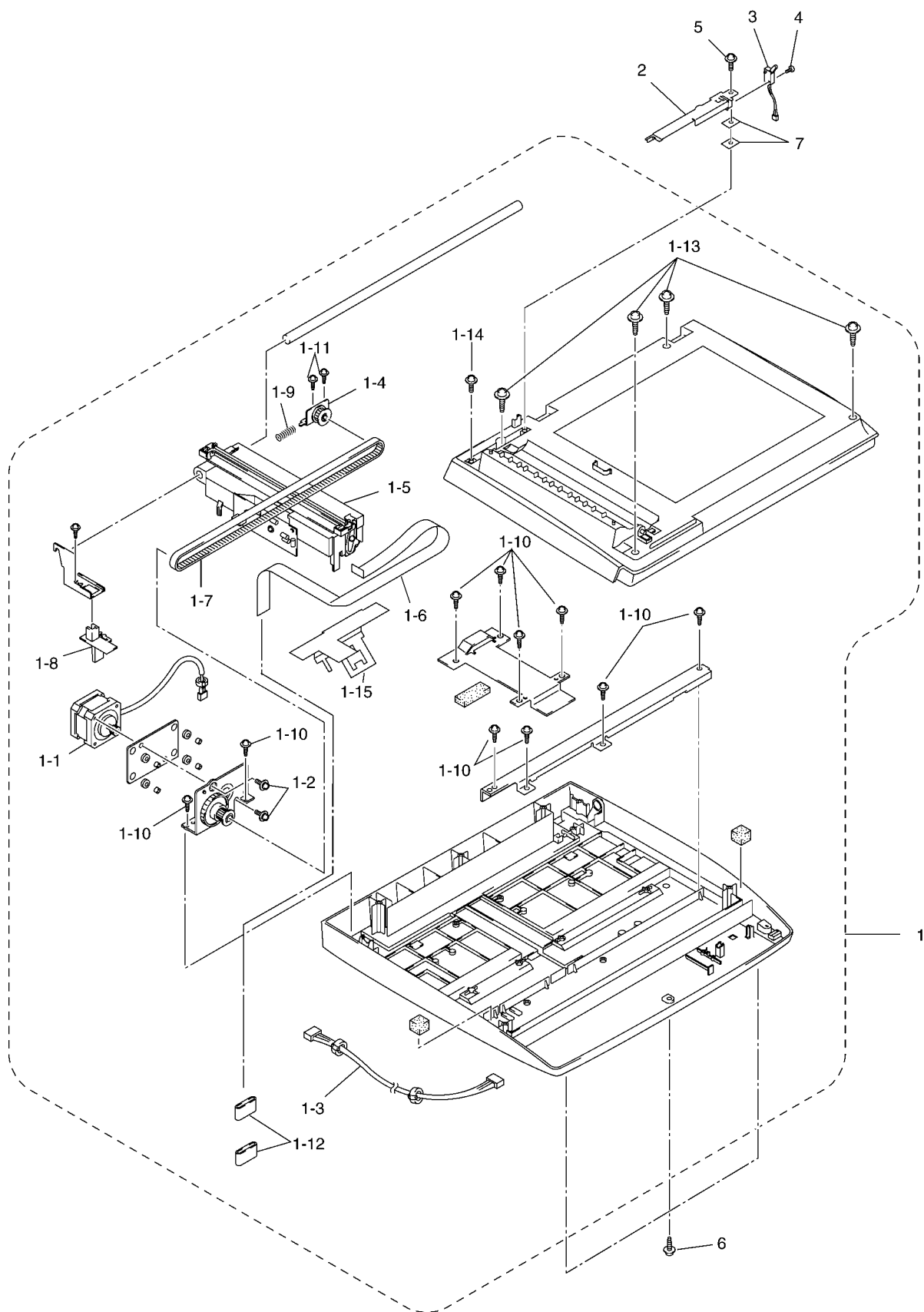
REF No.	CODE	Q'TY	DESCRIPTION	RECOMMEND	REMARK	ORDER TO BIUK
1	LJ7162001	1	FIXING UNIT, 230V (SP)	√		
1-1	LJ5682001	1	CLEANER ASSY			
1-2	UH3635001	1	CLEANER SPRING 30			
1-3	LJ5684001	1	HEAT ROLLER 25			
1-4	UL8908001	2	HR BEARING 25			
1-5	LJ5695001	1	HALOGEN LAMP, 230V			
1-6	LJ5276001	2	EJECT PINCH ROLLER HOLDER L			
1-7	LJ5277001	2	EJECT PINCH ROLLER HOLDER R			
1-8	LJ5278001	8	EJECT PINCH ROLLER			
1-9	LJ5279001	4	EJECT PINCH SPRING			
1-10	LJ7877001	4	PICK OFF FINGER ASSY C		chg	
1-11	087310615	4	TAPTITE, CUP B M3X6			
1-12	LJ5686001	1	THERMISTOR ASSY			
1-13	085311216	1	SCREW, BIND B TITE 3X12			
1-14	LJ5734001	1	EJECT ACTUATOR 2			
1-15	LJ5732001	1	EJECT ACTUATOR SPRING 2			
1-16	LJ5736001	1	ACTUATOR HOLDER			
1-17	LJ5735001	1	EJECT ACTUATOR 3			
1-18	085311015	6	SCREW, BIND B TITE 3X10			
1-19	UL8916001	2	PR BUSHING			
1-20	LJ5690001	2	PR SPRING			
1-21	LJ5268001	5	CLEANER PINCH ROLLER ASSY			
1-22	LJ5287001	1	PRESSURE ROLLER 25			
1-23	UL8920001	1	PAPER EJECT ACTUATOR			
1-24	UL8921001	1	EJECT ACTUATOR SPRING			
1-25	087312015	2	TAPTITE, CUP B M3X20			
1-26	UL8923001	1	FU DRIVER GEAR			
1-27	LM2047001	2	IDLE GEAR 13		chg	
1-28	UL8910001	1	HR GEAR 34		add	
1-29	LJ4118001	1	EJECT ROLLER ASSY		ADD	
2	087320815	1	TAPTITE, CUP S M3X8			
3	LJ4740001	2	SHOULDER SCREW			
4	LJ4432001	2	TAPE 32X12			
5	LJ8841001	1	JAM SENSOR PCB ASSY			
6	085311015	1	SCREW, BIND B TITE 3X10			



LIST6(COVER)

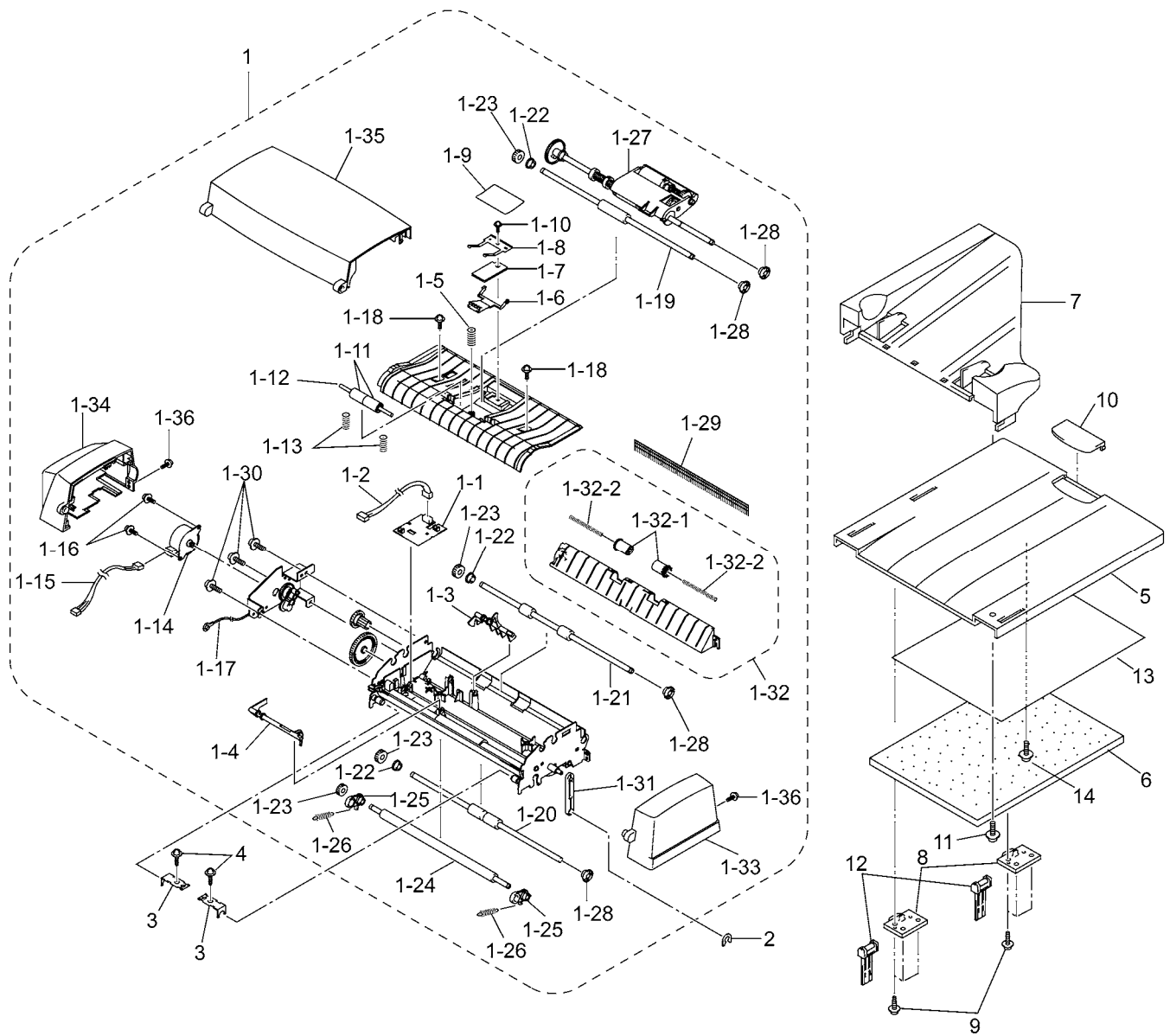
REF No.	CODE	Q'TY	DESCRIPTION	RECOMMEND	REMARK	ORDER TO BIUK
1	LJ5751001	1	MAIN COVER ASSY, GRAY(1495)			
2	UL9122001	4	PINCH ROLLER ASSY			
3	UL9125001	4	PINCH ROLLER SPRING			
4	LJ5763001	1	OUTER CHUTE, GRAY(1495)			
5	UL9127001	1	CHUTE SPRING L			
6	UL9128001	1	CHUTE SPRING R			
7	UU2102003	1	FRONT COVER ASSY, GRAY(1495)			
7-1	UU2094001	1	FRONT SUB COVER, GRAY(1495)			
7-2	087310815	1	TAPTITE, CUP B M3X8			
8	LE1197001	1	PAPER SUB TRAY, GRAY(1495)			
9	LE1198001	1	PAPER SUB TRAY COVER, GRAY(1495)			
10	LE1291001	1	TRAY COVER ADHESIVE TAPE			
11	UU2002001	1	REAR COVER, GRAY(1495)			
12	0A5401006	3	SCREW, PAN (S/P WASHER) M4X10			
13	LE1200001	1	SCANNER MOUNT, GRAY(1495)			
14	UL9142001	1	EXIT ROLLER ASSY			
15	LJ4125001	3	ANTI-STATIC BRUSH			
16	LG2425001	1	SPEAKER UNIT			
17	085320816	6	TAPTITE, BIND S M3X8			
18	087321015	4	TAPTITE, CUP S M3X10			
19	----		NOT USED			
20	UF9823001	2	SHOULDER SCREW			
21	LE1202001	1	UPPER REAR COVER			
22	087411216	2	TAPTITE, CUP B M4X12			
23	LE1368001	2	SHOULDER SCREW BIND B M4X8			
24	LG3260001	1	RELAY PCB ASSY	√		
25	087311016	2	TAPTITE, CUP B M3X10			
26	----		NOT USED			
27	----		NOT USED			
28	UU2045001	1	SWITCH COVER, MFC9860/9880			
29	LG3360001	1	MAIN-PANEL HARNESS			
30	LG3361001	1	MAIN-CCD HARNESS			
31	LG3362001	1	MAIN-MOTOR HARNESS			
32	----		NOT USED			
(33)	UF5745000	1	MJ COVER, MFC9860, MFC9880 FOR GER/UK/FRA/BEL/DEN/AUS/ITA/SWE			
(34)	LE8190001	1	SUB BACK COVER, MFC9860			

MFC9760, MFC9860, MFC9880



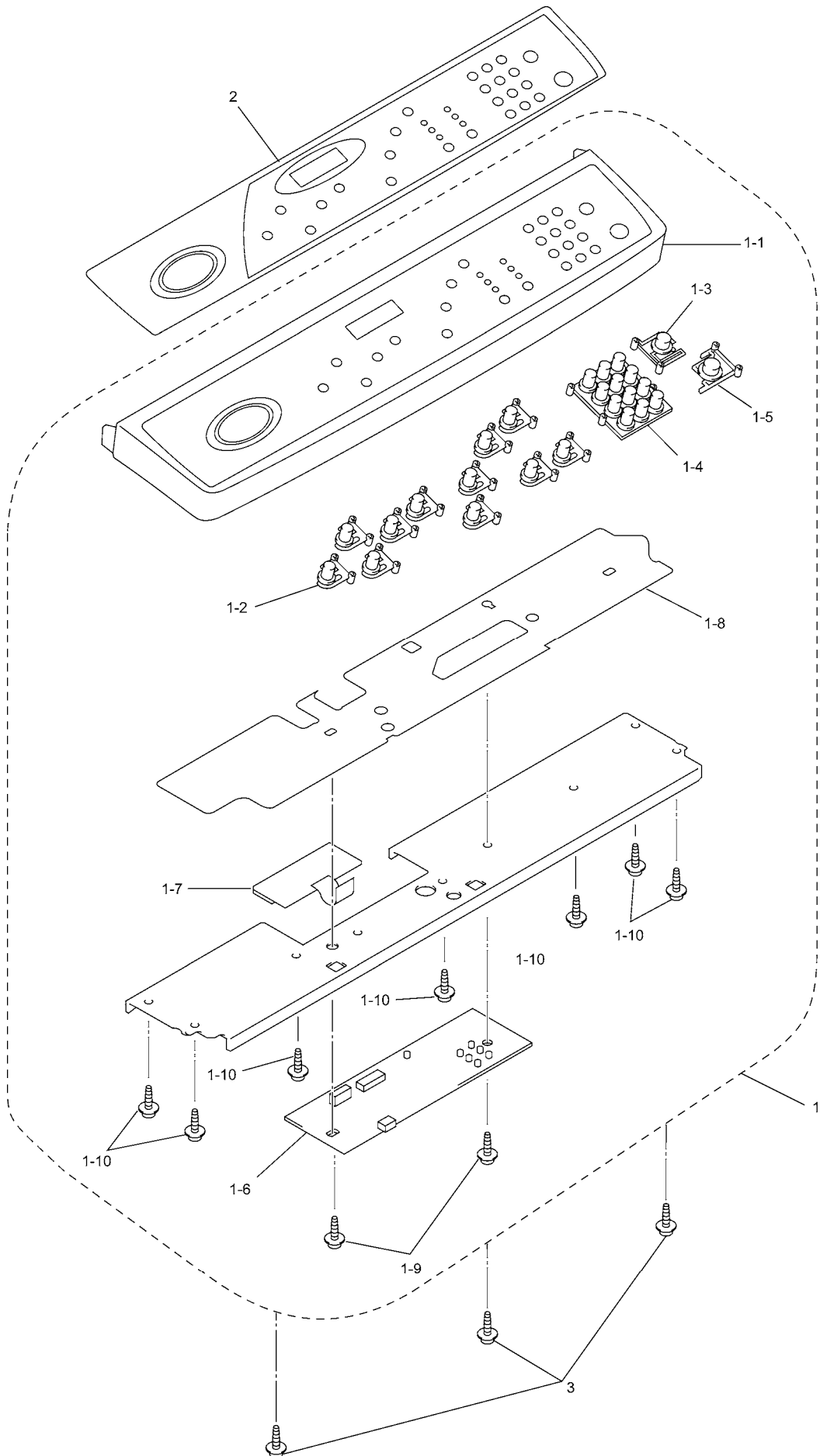
LIST7(DOCUMENT SCANNER)

REF No.	CODE	Q'TY	DESCRIPTION	RECOMMEND	REMARK	ORDER TO BIUK
1	LE7574001	1	SCANNER UNIT (SP)	√		
1-1	LE3338001	1	CCD MOTOR (INCLUDING HARNESS)			
1-2	0A4300605	2	SCREW, PAN (S/P WASHER) M3X6			
1-3	LG2025001	1	PANEL HARNESS			
1-4	LE3417001	1	PULLEY ASSY			
1-5	LE7777001	1	CCD UNIT ASSY (SP)	√		
1-6	LE8487001	1	CCD FLAT CABLE ZLE			
1-7	LE3423001	1	CCD DRIVE BELT			
1-8	LE2082001	1	CCD LOCK			
1-9	LE2079001	1	COMPRESSION SPRING			
1-10	087310815	10	TAPTITE, CUP B M3X8			
1-11	LE2805001	2	TAPTITE, PAN B M3X10			
1-12	LG2020001	2	FLAT CORE (CCD)			
1-13	087411216	4	TAPTITE, CUP B M4X12			
1-14	087310815	1	TAPTITE, CUP B M3X8			
1-15	LE2542001	1	FERRITE CORE SUPPORT			
2	LE3500001	1	HARNESS SUPPORT		CHG	
3	LG2737001	1	DOCUMENT COVER SWITCH			
4	LE0832001	1	TAPTITE, PAN P 1.6X8			
5	087311016	1	TAPTITE, CUP B M3X10			
6	087310815	3	TAPTITE, CUP B M3X8			
7	LE7638001	2	SPACER			del



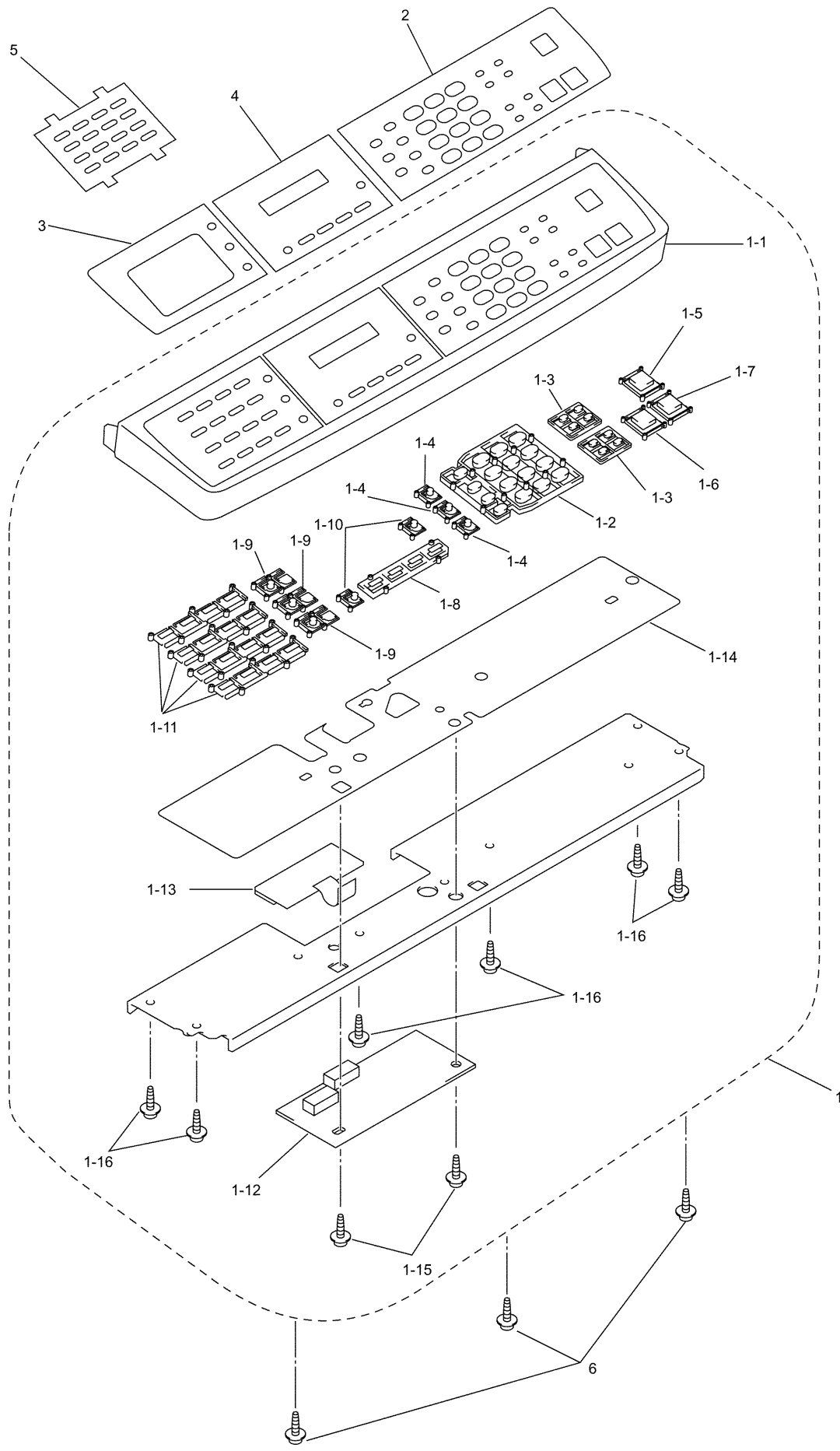
LIST8(ADF&TRAY)

REF No.	CODE	Q'TY	DESCRIPTION	RECOMMEND	REMARK	ORDER TO BIUK
1	LE1525001	1	ADF UNIT(SP)	1		
1-1	UG6609001	1	DOCUMENT SENSOR PCB			
1-2	LG2014001	1	DOCUMENT SENSOR HARNESS			
1-3	UF7026001	1	DOCUMENT FRONT SENSOR ACTUATOR			
1-4	LE2008001	1	DOCUMENT REAR SENSOR ACTUATOR			
1-5	LE2011001	1	COMPRESSION SPRING			
1-6	LE2551001	1	RUBBER HOLDER A			
1-7	UU2055001	1	SEPARATION RUBBER			
1-8	LE2550001	1	SPRING PLATE A ASSY			
1-9	LE2470001	1	ADF FILM			
1-10	UF6116001	1	TAPTITE, PAN B M3X6			
1-11	UF9009001	2	PRESSER ROLLER			
1-12	LE2471001	1	PRESSURE ROLLER SHAFT			
1-13	LE2472001	2	PRESSURE ROLLER SPRING			
1-14	LE1215001	1	ADF MOTOR			
1-15	LG2201001	1	ADF MOTOR HARNESS			
1-16	0A4300605	2	SCREW, PAN (S/P WASHER) M3X6			
1-17	LG2016001	1	GROUNDING WIRE			
1-18	087310815	2	TAPTITE, CUP B M3X8			
1-19	LE2026001	1	UPPER LF ROLLER (GRAY)			
1-20	LE2029001	1	LOWER LF ROLLER(BLACK)			
1-21	LE2028001	1	DOCUMENT EJECTION ROLLER			
1-22	UF8105001	3	CONDUCTIVE BUSHING			
1-23	UU7039001	4	LF ROLLER GEAR 27			
1-24	LE2030001	1	WHITE ROLLER			
1-25	LE2032001	2	WHITE ROLLER BUSHING			
1-26	LE2033001	2	EXTENSION SPRING			
1-27	LE2919001	1	DOCUMENT FEED ROLLER HOLDER ASSY			
1-27-1	LE2037001	2	DOCUMENT FEED ROLLER (RUBBER)			
1-28	UU1290001	4	CONDUCTIVE BUSHING			
1-29	UU7505001	1	ANTI-STATIC BRUSH			
1-30	087320616	3	TAPTITE, CUP S M3X6			
1-31	UF0208001	1	ADF ARM			
1-32	LE2048001	1	DOCUMENT EJECTION CHUTE ASSY			
1-32-1	LE2582001	2	PINCH ROLLER, GRAY(1267)			
1-32-2	UU2009001	2	PINCH ROLLER SPRING			
1-33	LE2050001	1	ADF SIDE COVER F, GRAY(1495)			
1-34	LE2051001	1	ADF SIDE COVER R, GRAY(1495)			
1-35	LE2534001	1	ADF COVER ASSY, GRAY(1495)			
1-36	087320816	2	TAPTITE, CUP S M3X8			
2	UF8088001	1	PLASTIC RETAINING RING			
3	LE2053001	2	ADF SUPPORT			
4	087310816	2	TAPTITE, CUP B M3X8			
5	LE2056001	1	DOCUMENT TRAY, GRAY(1495)			
6	LE2487001	1	DOCUMENT SPONGE			
7	LE3426001	1	DOCUMENT TRAY ASSY			
8	LE2567001	2	HINGE A, BLACK			
9	087311015	6	TAPTITE, CUP B M3X10			
10	LE2777001	1	DOCUMENT SUPPORT, GRAY(1495)			
11	087320816	1	TAPTITE, CUP S M3X8			
12	LE2568001	2	HINGE HOLDER A			
13	LE1568001	1	DOCUMENT TRAY REINFORCEMENT PLATE			
14	UF6116001	1	TAPTITE, PAN B M3X6			



LIST9A(CONTROL PANEL MFC9760)

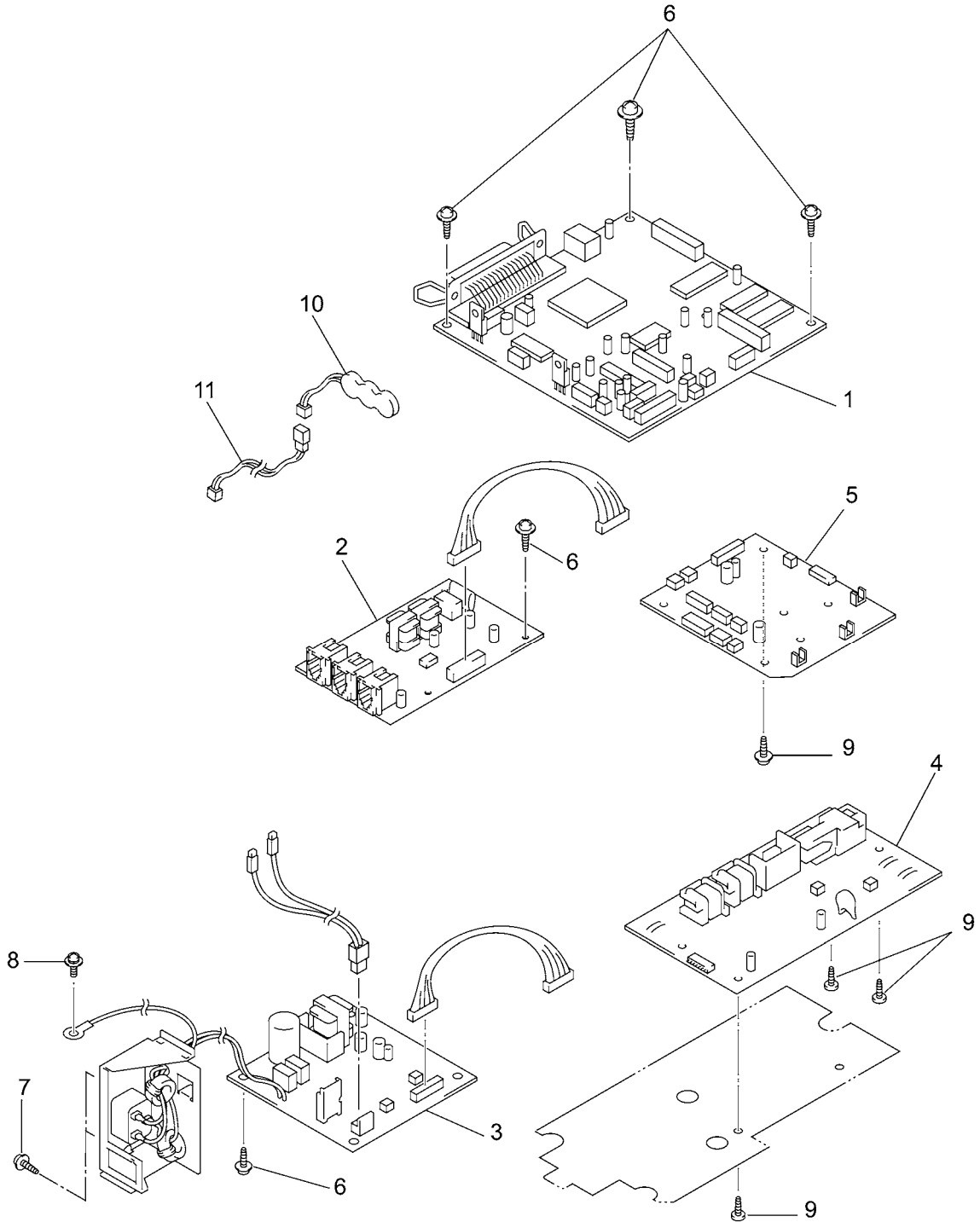
REF No.	CODE	Q'TY	DESCRIPTION	RECOMMEND	REMARK	ORDER TO BIUK
1	LE1685001	1	CONTROL PANEL ASSY			
1-1	LE1336001	1	PANEL COVER			
1-2	LJ4283001	8	KEY, FUNCTION			
1-3	LJ4231002	1	KEY, STOP, PINK(2205)			
1-4	LJ4284001	1	KEY, TEN			
1-5	LJ4285001	1	KEY, COPY, GREEN(5159)			
1-6	LG2326001	1	PANEL PCB ASSY			
1-7	UG4552000	1	LCD			
1-8	LG2381001	1	FPC KEY			
1-9	087270815	2	TAPTITE, CUP B M2.6X8			
1-10	087310815	7	TAPTITE, CUP B M3X8			
2	LE7427001	1	PANEL SHEET, MFC9760 FOR GER	√		√
2	LE7434001	1	PANEL SHEET, MFC9760 FOR UK/BEL/NLD/CHE/GNR	√		√
2	LE7438001	1	PANEL SHEET, MFC9760 FOR FRA	√		√
2	LE8016001	1	PANEL SHEET, MFC9760 FOR DEN	√		√
2	LE8022001	1	PANEL SHEET, MFC9760 FOR ITA	√		√
3	087310815	3	TAPTITE, CUP B M3X8			



LIST9B(CONT PANEL MFC9860-9880)

REF No.	CODE	Q'TY	DESCRIPTION	RECOMMEND	REMARK	ORDER TO BIUK
1	LE7080001	1	CONTROL PANEL ASSY, MFC9880, GRAY(1495)	√		
1	LE8092001	1	CONTROL PANEL ASSY, MFC9860, GRAY(1495)	√		
1-1	LE2273001	1	PANEL COVER, GRAY(1495)			
1-2	UF4393007	1	KEY, TEN, MFC9880, GRAY(1495)			
1-2	LE1537007	1	KEY, TEN, MFC9860, GRAY(1495)			
1-3	LE2274001	2	KEY COPY/FAX AREA, GRAY(1495)			
1-4	----		NOT USED			
1-5	UF8174009	1	KEY, COPY, GREEN(5159)			
1-6	UF8174010	1	KEY, STOP, PINK(2205)			
1-7	UF8174011	1	KEY, START, PURPLE(6255)			
1-8	UF8176010	1	KEY, FUNCTION4, BLUE(6134)			
1-9	UF4576008	3	KEY, SHIFT, GRAY(1495)			
1-10	UF4576015	2	KEY, SHIFT, BLUE(6134)			
1-11	UF9118006	4	KEY, ONE TOUCH, GRAY(1495)			
1-12	LG2138001	1	PANEL PCB ASSY			
1-13	UG4552000	1	LCD			
1-14	LG2190001	1	FPC KEY			
1-15	087270815	2	TAPTITE, CUP B M2.6X8			
1-16	087310815	6	TAPTITE, CUP B M3X8			
2	LE8093001	1	PANEL SHEET-1, MFC9860 FOR GER	√		
2	LE7442001	1	PANEL SHEET-1, MFC9880 FOR GER/AUS	√		√
2	LE7458001	1	PANEL SHEET-1, MFC9880 FOR UK/BEL/NLD/CHE/IRE/GNR	√		√
2	LE7463001	1	PANEL SHEET-1, MFC9880 FOR FRA	√		√
2	LE7970001	1	PANEL SHEET-1, MFC9880 FOR NOR	√		√
2	LE7988001	1	PANEL SHEET-1, MFC9880 FOR DEN	√		√
2	LE7993001	1	PANEL SHEET-1, MFC9880 FOR SPA	√		√
2	LE7998001	1	PANEL SHEET-1, MFC9880 FOR ITA	√		√
2	LE8004001	1	PANEL SHEET-1, MFC9880 FOR SWE	√		√
2	LE7886001	1	PANEL SHEET-1, MFC9880 FOR ARL/NZ/ASA	√		√
3	LE7702001	1	PANEL SHEET-2, MFC9860/MFC9880 FOR GER/AUS	√		√
3	LE7300001	1	PANEL SHEET-2, MFC9880 FOR UK/BEL/NLD/CHE/IRE/GNR/ARL/NZ/ASA	√		√
3	LE7703001	1	PANEL SHEET-2, MFC9880 FOR FRA	√		√
3	LE7969001	1	PANEL SHEET-2, MFC9880 FOR NOR	√		√
3	LE7987001	1	PANEL SHEET-2, MFC9880 FOR DEN	√		√
3	LE7992001	1	PANEL SHEET-2, MFC9880 FOR SPA	√		√
3	LE7997001	1	PANEL SHEET-2, MFC9880 FOR ITA	√		√
3	LE8003001	1	PANEL SHEET-2, MFC9880 FOR SWE	√		√
4	LE7443001	1	LCD SHEET, MFC9860	√		√
4	LE7452001	1	LCD SHEET, MFC9880 FOR GER/AUS	√		√
4	LE7462001	1	LCD SHEET, MFC9880 FOR UK/BEL/NLD/CHE/IRE/GNR/ ARL/NZ/ASA	√		√
4	LE7464001	1	LCD SHEET, MFC9880 FOR FRA	√		√
4	LE7971001	1	LCD SHEET, MFC9880 FOR NOR	√		√
4	LE7989001	1	LCD SHEET, MFC9880 FOR DEN	√		√
4	LE7994001	1	LCD SHEET, MFC9880 FOR SPA	√		√
4	LE7999001	1	LCD SHEET, MFC9880 FOR ITA	√		√
4	LE8005001	1	LCD SHEET, MFC9880 FOR SWE	√		√
5	LE1341001	1	ADDRESS LABEL			
6	087310815	3	TAPTITE, CUP B M3X8			

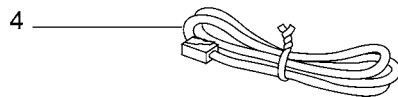
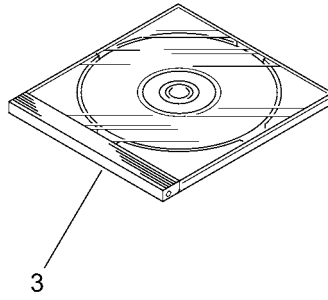
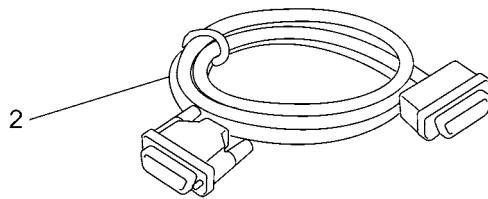
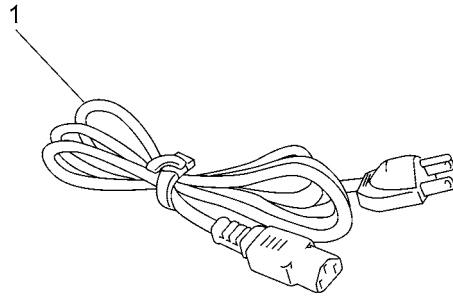
MFC9860, MFC9880



LIST10(PCB)

REF No.	CODE	Q'TY	DESCRIPTION	RECOMMEND	REMARK	ORDER TO BIUK
1	LG3487002	1	MAIN PCB, MFC9760	√		
1	LG3518001	1	MAIN PCB, MFC9860/MFC9880 FOR ARL/NZ/ASA	√	chg	
1	LG3518002	1	MAIN PCB, MFC9880 EXCEPT FOR ARL/NZ/ASA	√	add	
2	LG2295061	1	NCU PCB, MFC9860/9880 FOR GER/UK/FRA/NOR/BEL/ NLD/CHE/IRE/DEN/AUS/SPA/ITA/SWE/GNR	√		
2	LG2819002	1	NCU PCB, MFC9880 FOR ARL/NZ	√		
2	LG2821002	1	NCU PCB, MFC9880 FOR ASA	√		
3	LG4016001	1	LOW VOLTAGE POWER SUPPLY PCB ASSY EXCEPT FOR ASA	√		
3	LG4023001	1	LOW VOLTAGE POWER SUPPLY PCB ASSY FOR ASA	√		
4	LJ5831001	1	HIGH-VOLTAGE POWER SUPPLY PCB ASSY(SP)	√		
5	LG3256001	1	ENGINE PCB ASSY			
6	087320616	4	TAPTITE, CUP S M3X6, MFC9760			
6	087320616	5	TAPTITE, CUP S M3X6, MFC9860/9880			
7	084320815	1	SCREW, FLAT S M3X8			
8	LM2048001	1	SCREW, PAN (S/P WASHER) M3.5X6		CHG	
9	085411215	4	SCREW, BIND B TITE 4X12			
10	LG3623001	1	BATTERY, MFC9860/9880			
11	LG3624001	1	BATTERY HARNESS, MFC9860/9880			

MFC9760, MFC9860, MFC9880



LIST11(Accessories)

REF No.	CODE	Q'TY	DESCRIPTION	RECOMMEND	REMARK	ORDER TO BIUK
1	LG4424001	1	AC CORD ASSY, MFC9760/MFC9880 FOR GER/FRA/NOR/BEL/NLD/AUS/SPA/ITA/SWE/GNR (VDE)	√	chg	√
1	LG2085001	1	AC CORD ASSY, MFC9860 FOR GER (VDE)	√		
1	LG2359001	1	AC CORD ASSY FOR UK/IRE (BS)	√		√
1	LG4718001	1	AC CORD ASSY FOR CHE (SEV)	√	chg	√
1	LG2361001	1	AC CORD ASSY FOR DEN (DEMCO)	√		√
1	LJ9667001	1	AC CORD ASSY FOR ARL/NZ (SAA)	√	CHG	
1	LG2085001	1	AC CORD ASSY FOR ASA (VDE)	√		
1	LG2086001	1	AC CORD ASSY FOR ASA (BS)	√		
2	UG4558001	1	I/F CABLE, MFC9880 FOR GER/UK/IRE/AUS/GNR/ARL/NZ/ASA			
3	LE7428001	1	CD-ROM ASSY, MFC9760 FOR GER/UK/FRA/CHE			√
3	LE7963001	4	CD-ROM ASSY, MFC9760 FOR BEL/NLD/GNR		del	√
3	LE8017001	1	CD-ROM ASSY, MFC9760 FOR DEN/GNR			√
3	LE8023001	1	CD-ROM ASSY, MFC9760 FOR BEL/NLD/ITA			√
3	LE7444001	4	CD-ROM ASSY, MFC9860		del	√
3	LE7451001	1	CD-ROM ASSY, MFC9880 FOR GER/UK/FRA/CHE/IRE/AUS			√
3	LE7975001	1	CD-ROM ASSY, MFC9880 FOR NOR/DEN/SWE			√
3	LE7966001	1	CD-ROM ASSY, MFC9880 FOR BEL/NLD/GNR			√
3	LE7972001	1	CD-ROM ASSY, MFC9880 FOR SPA/ITA			√
3	LE7887001	1	CD-ROM ASSY, MFC9880 FOR ARL/NZ/ASA			√
4	UG3625001	1	TELEPHONE LINE CORD, MFC9860/9880 FOR GER			
4	UG3626001	1	TELEPHONE LINE CORD, MFC9880 FOR UK			
4	UG3627001	1	TELEPHONE LINE CORD, MFC9880 FOR FRA			
4	UG3629001	1	TELEPHONE LINE CORD, MFC9880 FOR NOR			
4	UG1575001	1	TELEPHONE LINE CORD, MFC9880 FOR BEL			
4	LG3077001	1	TELEPHONE LINE CORD, MFC9880 FOR NLD/IRE/SPA/GNR			
4	UG3469000	1	TELEPHONE LINE CORD, MFC9880 FOR CHE			
4	UG3633001	1	TELEPHONE LINE CORD, MFC9880 FOR DEN			
4	UG4205001	1	TELEPHONE LINE CORD, MFC9880 FOR AUS			
4	UG3634001	1	TELEPHONE LINE CORD, MFC9880 FOR ITA			
4	UG3635001	1	TELEPHONE LINE CORD, MFC9880 FOR SWE			
4	LG3077001	1	TELEPHONE LINE CORD, MFC9880 FOR ARL/ASA			
4	UG3290001	1	TELEPHONE LINE CORD, MFC9880 FOR NZ			
(5)	LE7699001	1	FERRITE CORE BAG ASSY USB, MFC9880 FOR GER/UK/IRE/AUS/GNR/ARL/NZ/ASA			
(5)	LE3602001	1	FERRITE CORE BAG ASSY FOR FRA/NOR/BEL/NLD/CHE/DEN/SPA/ITA/SWE			
(6)	LG3622001	1	TELEPHONE PLUG, MFC9880 FOR NLD			
(6)	UG3468000	1	TELEPHONE PLUG(BT-MJ), MFC9880 FOR ASA			
(6)	LG3509001	1	TELEPHONE PLUG, MFC9880 FOR ARL			
(7)	LE8781001	1	CD-ROM ASSY XP, MFC9760 FOR GER/UK/FRA/CHE		add	
(7)	LE8782001	1	CD-ROM ASSY XP, MFC9760 FOR BEL/NLD/ITA		add	
(7)	LE8783001	1	CD-ROM ASSY XP, MFC9760 FOR DEN/GNR		add	
(7)	LE8777001	1	CD-ROM ASSY XP, MFC9880 FOR GER/UK/FRA/CHE/IRE/AUS		add	
(7)	LE8779001	1	CD-ROM ASSY XP, MFC9880 FOR NOR/DEN/SWE		add	
(7)	LE8780001	1	CD-ROM ASSY XP, MFC9880 FOR BEL/NLD/GNR		add	
(7)	LE8778001	1	CD-ROM ASSY XP, MFC9880 FOR SPA/ITA		add	

MFC9760, MFC9860, MFC9880

LIST12(PRINTED MATERIAL)

REF No.	CODE	Q'TY	DESCRIPTION	RECOMMEND	REMARK	ORDER TO BIUK
(1)	LE7431001	1	OWNER'S MANUAL ASSY, MFC9760 FOR GER (INCLUDING OWNER'S MANUAL, LICENSE AGREEMENT SHEET, PAN EURO WARRANTY LEAFLET)	√		√
(1)	LE8098001	1	OWNER'S MANUAL ASSY, MFC9860 FOR GER (INCLUDING OWNER'S MANUAL, LICENSE AGREEMENT SHEET, PAN EURO WARRANTY LEAFLET)	√		
(1)	LE7455001	1	OWNER'S MANUAL ASSY, MFC9880 FOR GER (INCLUDING OWNER'S MANUAL, LICENSE AGREEMENT SHEET, PAN EURO WARRANTY LEAFLET)	√		√
(1)	LE7435001	1	OWNER'S MANUAL ASSY, MFC9760 FOR UK (INCLUDING OWNER'S MANUAL, LICENSE AGREEMENT SHEET, PAN EURO WARRANTY LEAFLET, 2 WARRANTY CARDS)	√		√
(1)	LE7459001	1	OWNER'S MANUAL ASSY, MFC9880 FOR UK (INCLUDING OWNER'S MANUAL, LICENSE AGREEMENT SHEET, PAN EURO WARRANTY LEAFLET, 2 WARRANTY CARDS)	√		√
(1)	LE7439001	1	OWNER'S MANUAL ASSY, MFC9760 FOR FRA (INCLUDING OWNER'S MANUAL, LICENSE AGREEMENT SHEET, PAN EURO WARRANTY LEAFLET, WARRANTY CARD)	√		√
(1)	LE7465001	1	OWNER'S MANUAL ASSY, MFC9880 FOR FRA (INCLUDING OWNER'S MANUAL, LICENSE AGREEMENT SHEET, PAN EURO WARRANTY LEAFLET, WARRANTY CARD)	√		√
(1)	LE7978001	1	OWNER'S MANUAL ASSY, MFC9880 FOR NOR (INCLUDING OWNER'S MANUAL, LICENSE AGREEMENT SHEET, PAN EURO WARRANTY LEAFLET)	√		√
(1)	LE8009001	1	OWNER'S MANUAL ASSY, MFC9760 FOR BEL (INCLUDING 2 OWNER'S MANUALS, LICENSE AGREEMENT SHEET, PAN EURO WARRANTY LEAFLET)	√		√
(1)	LE7980001	1	OWNER'S MANUAL ASSY, MFC9880 FOR BEL (INCLUDING 2 OWNER'S MANUALS, LICENSE AGREEMENT SHEET, PAN EURO WARRANTY LEAFLET)	√		√
(1)	LE8013001	1	OWNER'S MANUAL ASSY, MFC9760 FOR NLD (INCLUDING OWNER'S MANUAL, LICENSE AGREEMENT SHEET, PAN EURO WARRANTY LEAFLET)	√		√
(1)	LE7984001	1	OWNER'S MANUAL ASSY, MFC9880 FOR NLD (INCLUDING OWNER'S MANUAL, LICENSE AGREEMENT SHEET, PAN EURO WARRANTY LEAFLET)	√		√
(1)	LE8014001	1	OWNER'S MANUAL ASSY, MFC9760 FOR CHE (INCLUDING 2 OWNER'S MANUALS, LICENSE AGREEMENT SHEET, PAN EURO WARRANTY LEAFLET)	√		√
(1)	LE7985001	1	OWNER'S MANUAL ASSY, MFC9880 FOR CHE (INCLUDING 2 OWNER'S MANUALS, LICENSE AGREEMENT SHEET, PAN EURO WARRANTY LEAFLET)	√		√
(1)	LE7986001	1	OWNER'S MANUAL ASSY, MFC9880 FOR IRE (INCLUDING OWNER'S MANUAL, LICENSE AGREEMENT SHEET, PAN EURO WARRANTY LEAFLET)	√		√
(1)	LE8020001	1	OWNER'S MANUAL ASSY, MFC9760 FOR DEN (INCLUDING OWNER'S MANUAL, LICENSE AGREEMENT SHEET, PAN EURO WARRANTY LEAFLET)	√		√

MFC9760, MFC9860, MFC9880

LIST12(PRINTED MATERIAL)

REF No.	CODE	Q'TY	DESCRIPTION	RECOMMEND	REMARK	ORDER TO BIUK
(1)	LE7990001	1	OWNER'S MANUAL ASSY, MFC9880 FOR DEN (INCLUDING OWNER'S MANUAL, LICENSE AGREEMENT SHEET, PAN EURO WARRANTY LEAFLET)	√		√
(1)	LE7995001	1	OWNER'S MANUAL ASSY, MFC9880 FOR SPA (INCLUDING OWNER'S MANUAL, LICENSE AGREEMENT SHEET, PAN EURO WARRANTY LEAFLET, WARRANTY CARD)	√		√
(1)	LE8026001	1	OWNER'S MANUAL ASSY, MFC9760 FOR ITA (INCLUDING OWNER'S MANUAL, LICENSE AGREEMENT SHEET, PAN EURO WARRANTY LEAFLET)	√		√
(1)	LE8001001	1	OWNER'S MANUAL ASSY, MFC9880 FOR ITA (INCLUDING OWNER'S MANUAL, LICENSE AGREEMENT SHEET, PAN EURO WARRANTY LEAFLET)	√		√
(1)	LE8006001	1	OWNER'S MANUAL ASSY, MFC9880 FOR SWE (INCLUDING OWNER'S MANUAL, LICENSE AGREEMENT SHEET, PAN EURO WARRANTY LEAFLET, WARRANTY CARD)	√		√
(1)	LE8028001	1	OWNER'S MANUAL ASSY, MFC9760 FOR GNR (INCLUDING OWNER'S MANUAL, LICENSE AGREEMENT SHEET, PAN EURO WARRANTY LEAFLET)	√		√
(1)	LE8008001	1	OWNER'S MANUAL ASSY, MFC9880 FOR GNR (INCLUDING OWNER'S MANUAL, LICENSE AGREEMENT SHEET)	√		√
(1)	LE8547001	1	USER'S GUIDE ASSY, MFC9880 FOR ARL (INCLUDING USER'S GUIDE, LICENSE AGREEMENT SHEET)	√		
(1)	LE8548001	1	USER'S GUIDE ASSY, MFC9880 FOR NZ (INCLUDING USER'S GUIDE, LICENSE AGREEMENT SHEET, WARRANTY CARD)	√		
(1)	LE8549001	1	USER'S GUIDE ASSY, MFC9880 FOR ASA (INCLUDING USER'S GUIDE, LICENSE AGREEMENT SHEET, REFERENCE GUIDE)	√		
(1-1)	LE7432003	1	OWNER'S MANUAL, MFC9760 FOR GER			√
(1-1)	LE7448003	1	OWNER'S MANUAL, MFC9860 FOR GER			√
(1-1)	LE7456003	1	OWNER'S MANUAL, MFC9880 FOR GER			√
(1-1)	LE7436004	1	OWNER'S MANUAL, MFC9760 FOR UK/GER			√
(1-1)	LE7460004	1	OWNER'S MANUAL, MFC9880 FOR UK/IRE/GNR			√
(1-1)	LE7436005	1	OWNER'S MANUAL, MFC9760 FOR FRA			√
(1-1)	LE7460005	1	OWNER'S MANUAL, MFC9880 FOR FRA			√
(1-1)	LE7460007	1	OWNER'S MANUAL, MFC9880 FOR NOR			√
(1-1)	LE7436008	1	OWNER'S MANUAL, MFC9760 FOR BEL/NLD <DUTCH>			√
(1-1)	LE8010008	1	OWNER'S MANUAL, MFC9760 FOR BEL/CHE <FRENCH>			√
(1-1)	LE7460008	1	OWNER'S MANUAL, MFC9880 FOR BEL/NLD <DUTCH>			√
(1-1)	LE7981008	1	OWNER'S MANUAL, MFC9880 FOR BEL/CHE <FRENCH>			√
(1-1)	LE7436010	1	OWNER'S MANUAL, MFC9760 FOR CHE			√
(1-1)	LE7460010	1	OWNER'S MANUAL, MFC9880 FOR CHE <GERMAN>			√
(1-1)	LE7436013	1	OWNER'S MANUAL, MFC9760 FOR DEN			√
(1-1)	LE7460013	1	OWNER'S MANUAL, MFC9880 FOR DEN			√
(1-1)	LE7460015	1	OWNER'S MANUAL, MFC9880 FOR SPA			√
(1-1)	LE7436016	1	OWNER'S MANUAL, MFC9760 FOR ITA			√
(1-1)	LE7460016	1	OWNER'S MANUAL, MFC9880 FOR ITA			√
(1-1)	LE7460026	1	OWNER'S MANUAL, MFC9880 FOR SWE			√
(1-1)	LE8520001	1	USER'S GUIDE, MFC9880 FOR ARL/NZ/ASA			√

MFC9760, MFC9860, MFC9880

LIST13(CARTON)

REF No.	CODE	Q'TY	DESCRIPTION	RECOMMEND	REMARK	ORDER TO BIUK
(1)	LE7260001	1	CARTON, BROTHER, MFC9760	√		
(1)	LE7261001	1	CARTON, BROTHER, MFC9860	√		
(1)	LE7262001	1	CARTON, BROTHER, MFC9880	√		
(1)	LE8113001	1	CARTON, BROTHER, MFC9880 FOR ARL/NZ/ASA	√		
(2)	LE1232001	1	STYROFOAM ASSY			
(3)	UE1688001	1	BAG, 1000X1000H			
(4)	UE3122001	1	CARTON FOR MANUAL			
(5)	LE1481001	1	SCANNER LOCK SHEET(PROTECTION FOR ADF)			
(6)	LE7433001	1	START CARD, MFC9760 FOR GER			√
(6)	LE7449001	1	START CARD, MFC9860			√
(6)	LE7457001	1	START CARD, MFC9880 FOR GER/AUS			√
(6)	LE7437001	1	START CARD, MFC9760 FOR UK/IRE			√
(6)	LE7461001	1	START CARD, MFC9880 FOR UK			√
(6)	LE7440001	1	START CARD, MFC9760 FOR FRA			√
(6)	LE7466001	1	START CARD, MFC9880 FOR FRA			√
(6)	LE7979001	1	START CARD, MFC9880 FOR NOR			√
(6)	LE8012001	1	START CARD, MFC9760 FOR BEL/NLD <DUTCH>			√
(6)	LE8011001	1	START CARD, MFC9760 FOR BEL/CHE <FRENCH>			√
(6)	LE7982001	1	START CARD, MFC9880 FOR BEL/NLD <DUTCH>			√
(6)	LE7983001	1	START CARD, MFC9880 FOR BEL/CHE <FRENCH>			√
(6)	LE8015001	1	START CARD, MFC9760 FOR CHE <GERMAN>			√
(6)	LE8029001	1	START CARD, MFC9880 FOR CHE <GERMAN>			√
(6)	LE8021001	1	START CARD, MFC9760 FOR DEN			√
(6)	LE7991001	1	START CARD, MFC9880 FOR DEN			√
(6)	LE7996001	1	START CARD, MFC9880 FOR SPA			√
(6)	LE8027001	1	START CARD, MFC9760 FOR ITA			√
(6)	LE8002001	1	START CARD, MFC9880 FOR ITA			√
(6)	LE8007001	1	START CARD, MFC9880 FOR SWE			√
(6)	LE7635001	1	START CARD, MFC9760 FOR GNR			√
(6)	LE7636001	1	START CARD, MFC9880 FOR GNR			√
(6)	LE7893001	1	START CARD, MFC9880 FOR ARL/NZ/ASA			√
(7)	LJ5557001	1	BAG 400X480 FOR DRUM/TONER			
(8)	LE8254001	1	QUICK SETUP GUIDE XP, MFC9760 FOR GER/CHE, MFC9880 FOR GER/CHE/AUS <GERMAN>		chg	
(8)	LE8252001	1	QUICK SETUP GUIDE XP, MFC9760 FOR UK/GNR, MFC9880 FOR UK/IRE/GNR		chg	
(8)	LE8253001	1	QUICK SETUP GUIDE XP, MFC9760/MFC9880 FOR FRA/BEL/CHE <FRENCH>		chg	
(8)	LE8258001	1	QUICK SETUP GUIDE XP, MFC9880 FOR NOR		chg	
(8)	LE8255001	1	QUICK SETUP GUIDE XP, MFC9760/MFC9880 FOR BEL/NLD <DUTCH>		chg	
(8)	LE8260001	1	QUICK SETUP GUIDE XP, MFC9760/MFC9880 FOR DEN		chg	
(8)	LE8257001	1	QUICK SETUP GUIDE XP, MFC9880 FOR SPA		chg	
(8)	LE8256001	1	QUICK SETUP GUIDE XP, MFC9760/MFC9880 FOR ITA		chg	
(8)	LE8259001	1	QUICK SETUP GUIDE XP, MFC9880 FOR SWE		chg	

MFC9760, MFC9860, MFC9880

brother®

8C5581
PL-FAX020
Ver. V-1

Free Manuals Download Website

<http://myh66.com>

<http://usermanuals.us>

<http://www.somanuals.com>

<http://www.4manuals.cc>

<http://www.manual-lib.com>

<http://www.404manual.com>

<http://www.luxmanual.com>

<http://aubethermostatmanual.com>

Golf course search by state

<http://golfingnear.com>

Email search by domain

<http://emailbydomain.com>

Auto manuals search

<http://auto.somanuals.com>

TV manuals search

<http://tv.somanuals.com>