

Operating Instructions

Please read and save these instructions. Read carefully before attempting to assemble, install, operate or maintain the product described. Protect yourself and others by observing all safety information. Failure to comply with instructions could result in personal injury and/or property damage! Retain instructions for future reference.

Oil-Lubricated Compressors

Description

This residential oil-lubricated compressor is designed for do-it-yourselfers with a variety of home and automotive jobs. These compressors power spray guns, impact wrenches and other tools. Compressed air from this unit will contain moisture. Install a water filter or air dryer if application requires dry air.

Safety Guidelines

This manual contains information that is very important to know and understand. This information is provided for SAFETY and to PREVENT EQUIPMENT PROBLEMS. To help recognize this information, observe the following symbols.

▲ DANGER Danger indicates an imminently hazardous situation which, if not avoided, WILL result in death or serious injury.

▲ WARNING Warning indicates a potentially hazardous situation which, if not avoided, COULD result in death or serious injury.

▲ CAUTION Caution indicates a potentially hazardous situation which, if not avoided, MAY result in minor or moderate injury.

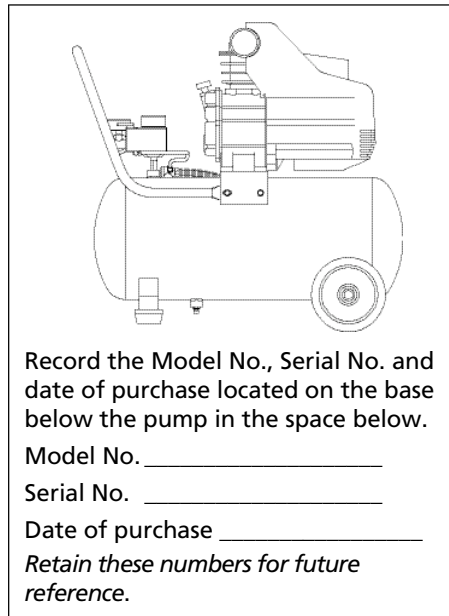
NOTICE Notice indicates important information, that if not followed, MAY cause damage to equipment.

Unpacking

After unpacking the unit, inspect carefully for any damage that may have occurred during transit. Make sure to tighten fittings, bolts, etc., before putting unit into service. In case of questions, damaged or missing parts, please call 1-800-543-6400 for customer assistance or call the nearest Campbell Hausfeld Authorized Service Center. Have the serial number, model number, and parts list (with missing parts circled) before calling.



DO NOT RETURN THE PRODUCT TO THE RETAILER!



Record the Model No., Serial No. and date of purchase located on the base below the pump in the space below.

Model No. _____

Serial No. _____

Date of purchase _____

Retain these numbers for future reference.

General Safety Information

CALIFORNIA PROPOSITION 65

▲ WARNING You can create dust when you cut, sand, drill or grind materials such as wood, paint, metal, concrete, cement, or other masonry. This dust often contains chemicals known to cause cancer, birth defects, or other reproductive harm. Wear protective gear.

▲ WARNING This product or its power cord may contain chemicals, including lead, known to the State of California to cause cancer and birth defects or other reproductive harm. Wash hands after handling.

GENERAL SAFETY INFORMATION

▲ WARNING Do not operate unit if damaged during shipping, handling or use. Damage may result in bursting and cause injury or property damage.



Breathable Air Warning

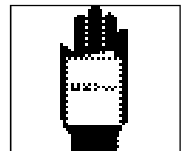
This compressor/pump is not equipped and should not be used "as is" to supply breathing quality air. For any application of air for human consumption, the air compressor/pump will need to be fitted with suitable in-line safety and alarm equipment. This additional equipment is necessary to properly filter and purify the air to meet minimal specifications for Grade D breathing as described in Compressed Gas Association Commodity Specification G 7.1 - 1966, OSHA 29 CFR 1910.134, and/or Canadian Standards Associations (CSA).

DISCLAIMER OF WARRANTIES
In the event the compressor is used for the purpose of breathing air application and proper in-line safety and alarm equipment is not simultaneously used, existing warranties shall be voided, and Campbell Hausfeld disclaims any liability whatsoever for any loss, personal injury or damage.

▲ WARNING Do not run unattended. Leaving compressor in AUTO position may allow it to turn on inadvertently. To prevent this and possible damage from power surge, turn to OFF position after each use.

Since the air compressor and other components (filters, lubricators, hoses, etc.) used, make up a high pressure pumping system, the following safety precautions must be observed at all times:

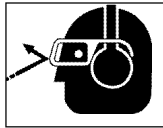
1. Read all manuals included with this product carefully. Be thoroughly familiar with the controls and the proper use of the equipment.



REMINDER: Keep your dated proof of purchase for warranty purposes! Attach it to this manual or file it for safekeeping.

General Safety Information

(Continued)

2. Follow all local electrical and safety codes as well as in the US, National Electrical Code (NEC) and Occupational Safety and Health Act (OSHA).
3. Only persons well acquainted with these rules of safe operation should be allowed to use the compressor.
4. Keep visitors away and NEVER allow children in the work area.
5. Wear safety glasses and use hearing protection when operating the pump or unit. 
6. Do not stand on or use the pump or unit as a handhold.
7. Before each use, inspect compressed air system and electrical components for signs of damage, deterioration, weakness or leakage. Repair or replace defective items before using.
8. Check all fasteners at frequent intervals for proper tightness.

WARNING


Motors, electrical equipment and controls can cause electrical arcs that will ignite a flammable gas or vapor. Never operate or repair the unit near a flammable gas or vapor. Never store flammable liquids or gases in the vicinity of the compressor.



CAUTION

Compressor parts may be hot even if the unit is stopped.



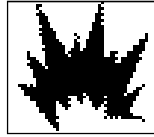
9. Keep fingers away from a running compressor; fast moving and hot parts will cause injury and/or burns.
10. If the equipment should start to abnormally vibrate, STOP the engine/motor and check immediately for the cause. Vibration is generally a warning of trouble.
11. To reduce fire hazard, keep engine/motor exterior free of oil, solvent, or grease. 

WARNING

Never remove or attempt to adjust safety valve. Keep safety valve free from paint and other accumulations.

WARNING

Never attempt to repair or modify a tank! Welding, drilling or any other modification will weaken the tank resulting in damage from rupture or explosion. Always replace worn or damaged tanks.



WARNING

- Drain liquid from tank daily.
12. Tanks rust from moisture build-up, which weakens the tank. Make sure to drain tank daily and inspect periodically for unsafe conditions such as rust formation and corrosion.
 13. Fast moving air will stir up dust and debris which may be harmful. Release air slowly when draining moisture or depressurizing the compressor system.


WARNING

This product or its power cord contains chemicals known to the State of California to cause cancer and birth defects or other reproductive harm. Wash hands after handling.

SPRAYING PRECAUTIONS

WARNING

Do not spray flammable materials in vicinity of open flame or near ignition sources including the compressor unit.

14. Do not smoke when spraying paint, insecticides, or other flammable substances.
15. Use a face mask/respirator when spraying and spray in a well ventilated area to prevent health and fire hazards. 
16. Do not direct paint or other sprayed material at the compressor. Locate compressor as far away from the spraying area as possible to minimize overspray accumulation on the compressor.
17. When spraying or cleaning with solvents or toxic chemicals, follow the instructions provided by the chemical manufacturer.

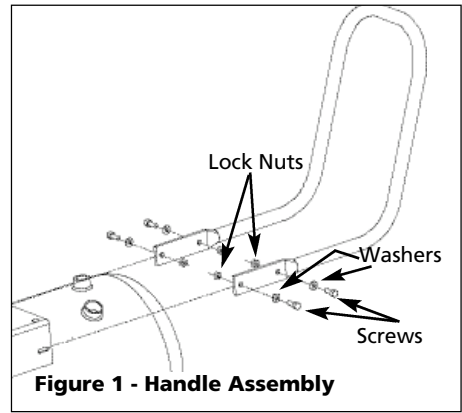


Figure 1 - Handle Assembly

Assembly

HANDLE ASSEMBLY (Figure 1)

1. Place ends of handle around tank, behind the mounting plate. Align holes in handle to holes in mounting plate.
2. Assemble four (4) screws and washers (from parts package) through holes in mounting plate and handle. Secure with lock nuts.

WARNING

Never use the handle to lift the unit completely off the ground. Only use the handle to lift one end so the wheels may be used to move the unit.

WHEEL ASSEMBLY (Figure 2)

Wheel assembly kit includes:

- 2 wheels*
- 2 axle bolts*
- 2 lock washers*
- 2 nuts*

The items marked with an asterisk (*) were shipped loose with the unit.

1. Wheel has an offset hub. With offset hub facing axle iron, assemble axle bolt through holes in wheel and axle iron.

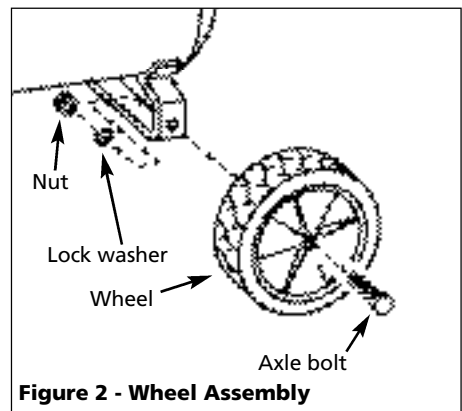


Figure 2 - Wheel Assembly

Assembly (Continued)

- Place lock washer on axle bolt. Then tighten nut securely to threaded part of axle bolt.
- Repeat procedure with other side.

LUBRICATION

CAUTION THIS UNIT IS SHIPPED WITHOUT OIL! Follow lubrication instructions before operating compressor.

Use oil shipped with the compressor. Do not use regular automotive oil such as 10W-30. Additives in regular motor oil can cause valve deposits and reduce pump life. For maximum pump life, drain and replace oil after the first few hours of run time.

The compressor pump takes approximately 380 ml (13 ozs.) of oil. The sight glass, located on the crankcase portion of the pump, is marked with "max" and "min" levels. Avoid overfilling by adding oil gradually and checking the oil level with the sight glass several

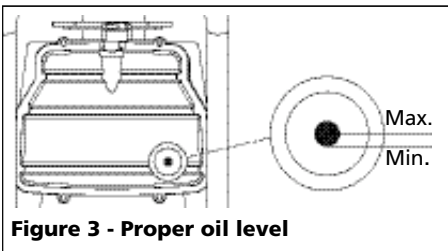


Figure 3 - Proper oil level

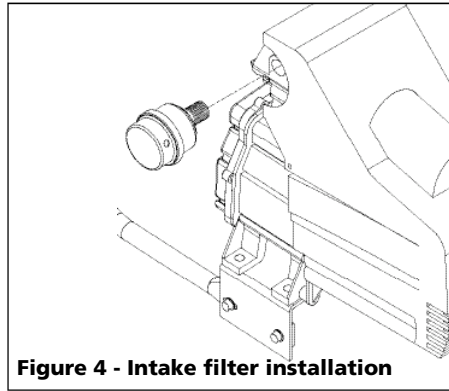


Figure 4 - Intake filter installation

times. Add enough oil to reach the "max" level on the sight glass. Proper oil level is illustrated in Figure 3.

INTAKE FILTER

Thread the intake air filter into the threaded opening in the side of the compressor head as illustrated in Figure 4. Tighten gently with a wrench.

Installation

LOCATION

It is extremely important to install the compressor in a clean, well ventilated area where the surrounding air temperature will not be more than 100°F.

A minimum clearance of 18 inches between the compressor and a wall is required because objects could obstruct air flow.

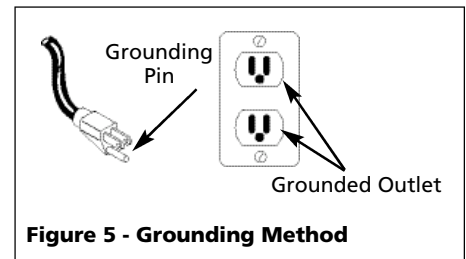


Figure 5 - Grounding Method

CAUTION Do not locate the compressor air inlet near steam, paint spray, sandblast areas or any other source of contamination. This debris will damage the motor.

ELECTRICAL INSTALLATION

WARNING All wiring and electrical connections should be performed by a qualified electrician. Installation must be in accordance with local codes and national electrical codes.

WIRING

- Local electrical wiring codes differ from area to area. Source wiring, plug and protector must be rated for at least the amperage and voltage indicated on motor nameplate, and meet all electrical codes for this minimum.
- Use a slow blow fuse or a circuit breaker.
- This product is for use on a nominal 120 volt circuit and has a grounding plug that looks like the plug illustrated in Figure 5. Make sure the product is connected to an outlet having the same configuration as the plug. This product must be grounded. In the event of an electrical short circuit, grounding reduces risk of electrical shock by providing an escape wire for electric current. This product is equipped with a cord having a grounding wire with an appropriate grounding plug. Plug must be plugged into an outlet that is properly installed and grounded in accordance with all local codes and ordinances.

CAUTION Overheating, short circuiting and fire damage will result from inadequate wiring.

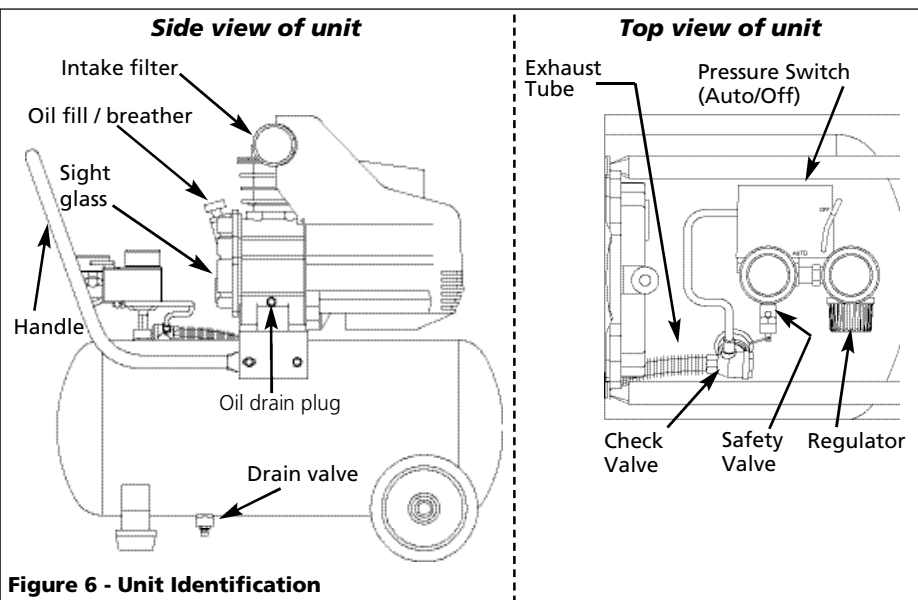


Figure 6 - Unit Identification

Extension cords for 120V/15 Amp Unit			
Length of Cord (ft)	25	50	100
Gauge of Cord	14	12	10

Oil-Lubricated Compressors

Operation

• **Pressure Switch** - Auto/Off Switch (Figure 7) - In the **AUTO** position, the compressor shuts off automatically when tank pressure reaches the maximum preset pressure. In the **OFF** position, the compressor will not operate. This switch should be in the **OFF** position when connecting or disconnecting the power cord from the electrical outlet or when changing air tools.

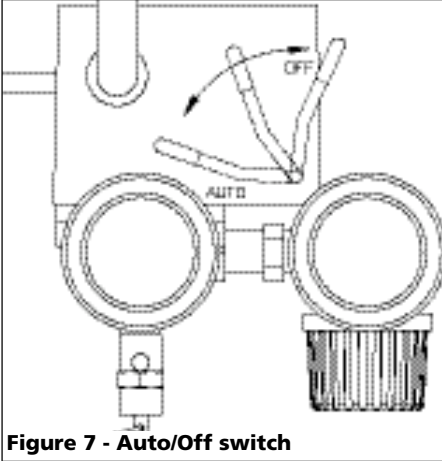


Figure 7 - Auto/Off switch

- **Regulator** - The regulator controls the amount of air pressure released at the hose outlet.
- **ASME Safety Valve** - This valve automatically releases air if the tank pressure exceeds the preset maximum.
- **Exhaust Tube** - This tube carries compressed air from the pump to the check valve. This tube becomes very hot during use. To avoid the risk of severe burns, never touch the exhaust tube.
- **Check Valve** - A one-way valve that allows air to enter the tank, but prevents air in the tank from flowing back into the compressor pump.
- **Handle** - Designed to move the compressor.

WARNING Never use the handle on wheeled units to lift the unit completely off the ground.

- **Drain Valve** - This valve is located on the bottom of the tank. Use this valve to drain moisture from the tank daily to reduce the risk of corrosion.

MOISTURE IN COMPRESSED AIR

Moisture in compressed air will form into droplets as it comes from an air compressor pump. When humidity is high or when a compressor is in continuous use for an extended period of time, this moisture will collect in the tank. When using a paint spray or sandblast gun, this water will be carried from the tank through the hose, and out of the gun as droplets mixed with the spray material.

IMPORTANT: This condensation will cause water spots in a paint job, especially when spraying other than water based paints. If sandblasting, it will cause the sand to cake and clog the gun, rendering it ineffective. A filter in the air line (MP3105), located as near to the gun as possible, will help eliminate this moisture.

Reduce tank pressure below 10 psi, then drain moisture from tank daily to avoid tank corrosion. Drain moisture from tank by opening the drain valve located underneath the tank.

BEFORE FIRST START-UP

BREAK-IN PROCEDURE

(Complete this procedure before using compressor for the first time. Once completed, it is not necessary to repeat.)

1. Turn regulator knob fully clockwise (to the right) to open air flow.
2. Turn on/off switch to OFF position.
3. Plug in power cord.
4. Turn on/off switch to AUTO position and run compressor for 30 minutes.
5. Turn on/off switch to OFF position.
6. Unplug power cord.

The compressor is now ready for use.

BEFORE EACH START-UP

OPERATING PROCEDURE

1. Turn regulator knob fully counter clockwise (to the left) to close air flow.
2. Connect air hose to outlet of regulator.
3. Turn on/off switch to OFF position.
4. Plug in power cord.
5. Turn on/off switch to AUTO position and let compressor run until it reaches automatic shutoff pressure.
6. Attach tire chuck or tool to end of hose.
7. Turn regulator knob clockwise (to the right) to desired pressure of tool being used.

On/Off cycling of compressor

In the AUTO position, the compressor pumps air into the tank. When a shut-off (preset "cut-out") pressure is reached, the compressor automatically shuts off.

If the compressor is left in the AUTO position and air is depleted from the tank by use of a tire chuck, tool, etc., the compressor will restart automatically at its preset "cut-in" pressure. When a tool is being used continuously, the compressor will cycle on and off automatically.

In the OFF position, the pressure switch cannot function and the compressor will not operate. Make sure switch is in OFF position when connecting or disconnecting power cord from electrical outlet.

ASME SAFETY VALVE

WARNING Do not remove or attempt to adjust the safety valve!

Check the safety valve by performing the following steps:

1. Plug the compressor in and run until shut off pressure is reached (see Operating Procedure).
2. Wearing safety glasses, pull the ring on the safety valve (see Figures 6 and 8) to release pressure from compressor tank. Use your other hand to deflect fast-moving air from being directed toward your face.

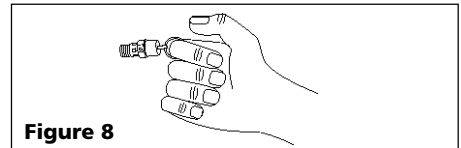


Figure 8

Operation (Continued)

3. The safety valve should automatically close at approximately 40-50 PSI. If the safety valve does not allow air to be released when you pull on the ring, or if it does not close automatically, it **MUST** be replaced.

⚠ WARNING *Safety valve must be replaced if it cannot be actuated or it leaks air after ring is released.*

PRESSURE GAUGES

Gauge attached to regulator indicates air pressure going to hose (and any tool attached to end of hose).

Gauge attached to pressure switch indicates air pressure in tank.

Maintenance

⚠ WARNING *Disconnect power source and then release all pressure from the system before attempting to install, service, relocate or perform any maintenance.*



Check compressor often for any visible problems and follow maintenance procedures each time compressor is used.

1. Turn compressor off and release pressure from system. To release pressure from system, pull ring on ASME safety valve (see Figures 6 and 8). Deflect escaping air by shielding valve with one hand as you pull ring with other hand. Pull ring until tank is empty.

⚠ CAUTION *A large amount of fast moving air will be released when the safety valve is opened with pressure in the tank. Wear ANSI approved Z87.1 safety glasses.*

2. Drain moisture from tank by opening drain valve (see Figure 6) underneath tank. Tilt tank to remove all moisture.
3. Clean dust and dirt from tank, air lines and pump cover while compressor is still OFF.

OIL CHANGE

1. Allow compressor to run and warm up oil. Unplug unit.
2. Position a pan under pump end of unit.
3. Remove oil drain plug (see Figure 6). Allow oil to collect in pan. Tilt unit to completely drain.
4. Replace drain plug, fill pump to full line on sight glass. Use Chevron synthetic 5W-30, Mobil 1 5W-30 or 10W-30 synthetic motor oil. Using other types of oil will cause starting problems.
5. Change oil after every 50 hours of use.

INTAKE AIR FILTER MAINTENANCE

Removal, Inspection and Replacement (Figure 9)

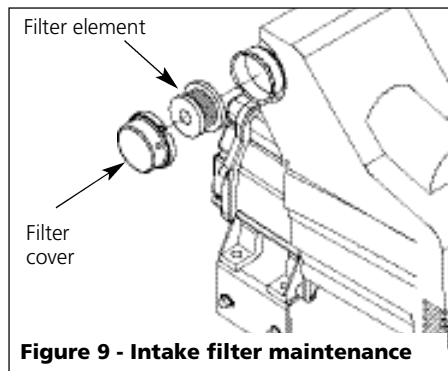


Figure 9 - Intake filter maintenance

The intake filter element should be removed and checked periodically. A clogged intake filter can decrease compressor performance and cause the compressor to overheat.

1. Rotate the filter cover counter clockwise and remove .
2. Remove the filter element and inspect.
3. If the filter element is dirty or clogged, replace it.
4. Reinstall filter and cover.

IMPORTANT: Locate unit as far from spraying area as hose will allow to prevent overspray from clogging filter.

OVERLOAD PROTECTOR SECTION

⚠ CAUTION *This compressor is equipped with a thermal overload protector which will shut off motor if it becomes overloaded.*

If overload protector shuts motor OFF frequently, look for the following causes.

1. Low voltage.
2. Clogged air filter.
3. Lack of proper ventilation.

⚠ CAUTION *If the overload protector is actuated, the motor must be allowed to cool down for 30 minutes. To reset once the motor has cooled down, turn pressure switch to the OFF position then to the AUTO position.*

STORAGE

1. Drain tank of moisture.
2. When not in use, store compressor in a cool, dry place.
3. Disconnect hose and hang open ends down to allow any moisture to drain.

Oil-Lubricated Compressors

Troubleshooting Chart

Symptom	Possible Cause(s)	Corrective Action
Compressor will not run	<ol style="list-style-type: none"> 1. Switch in OFF position 2. No electrical power at wall outlet 3. Compressor has reached automatic shutoff pressure 4. Motor overloaded 	<ol style="list-style-type: none"> 1. Make sure compressor is plugged in and switch is ON. 2. Check circuit breaker or fuse at electrical panel. 3. Release air from tank until compressor restarts automatically. 4. Allow compressor to cool for approximately 30 minutes. To reset, turn pressure switch to OFF, then AUTO. Make sure compressor is run in a clean, well-ventilated area. 5. Replace pressure switch.
Motor hums but cannot run or runs slowly	<ol style="list-style-type: none"> 1. Defective check valve 2. Defective unloader valve (on pressure switch) 3. Low voltage 4. Loose electrical connections 5. Wrong gauge wire or length of extension cord 6. Defective motor capacitor 7. Shorted or open motor winding 	<ol style="list-style-type: none"> 1. Repair or replace. 2. Repair or replace. 3. Check voltage at wall outlet with voltmeter. 4. Check all electrical connections. 5. Check extension cord chart for proper extension cord usage. 6. Replace capacitor. 7. Replace motor assembly. <p>⚠ DANGER Do not disassemble check valve with air in tank; bleed tank</p>
Flow blows/circuit breaker trips repeatedly	<ol style="list-style-type: none"> 1. Incorrect fuse size, circuit overloaded 2. Wrong gauge wire or length of extension cord 3. Defective check valve 4. Defective unloader valve (on pressure switch) 5. Defective motor capacitor 6. Motor shorted or seized 	<ol style="list-style-type: none"> 1. Check for proper fuse. Use time delay fuse. Disconnect other electrical appliances from circuit or operate compressor on its own branch circuit. 2. Check extension cord chart for proper extension cord usage. 3. Repair or replace. 4. Repair or replace. 5. Replace capacitor. 6. Replace motor assembly. <p>⚠ DANGER Do not disassemble check valve with air in tank; bleed tank</p>
Thermal overload protector cuts out repeatedly	<ol style="list-style-type: none"> 1. Low voltage 2. Wrong gauge wire or length of extension cord 3. Clogged intake filter 4. Lack of proper ventilation/room temperature too high 5. Defective check valve 6. Defective unloader valve (on pressure switch) 7. Compressor valves failed 	<ol style="list-style-type: none"> 1. Check voltage at wall outlet with voltmeter. 2. Check extension cord chart for proper extension cord usage. 3. Clean or replace filter. 4. Move compressor to well-ventilated area. 5. Repair or replace. 6. Repair or replace. 7. Replace valve assembly. <p>⚠ DANGER Do not disassemble check valve with air in tank; bleed tank</p>
Knocks, rattles, and/or excessive vibration	<ol style="list-style-type: none"> 1. Loose mounting bolts 2. Tank not level 3. Cylinder or piston is worn/scored 	<ol style="list-style-type: none"> 1. Tighten bolts. 2. Use sturdy wedge/object to bring tank to level position. 3. Replace or repair as necessary.
Tank pressure drops when compressor shuts off	<ol style="list-style-type: none"> 1. Loose drain valve 2. Check valve leaking 3. Loose connections at fittings, tubing, etc. 4. Tank leaks 	<ol style="list-style-type: none"> 1. Tighten. 2. Remove check valve. Clean or replace. 3. Check all connections with soap and water solution. If a leak is detected, (1) tighten or (2) remove fitting and apply pipe tape to threads and reassemble. 4. Check tank for leaks with soap and water solution. If leak is detected, tank must be replaced with genuine replacement part. <p>⚠ DANGER Do not disassemble check valve with air in tank; bleed tank</p>
Compressor runs continuously and air output is lower than normal/low discharge pressure	<ol style="list-style-type: none"> 1. Excessive air usage, compressor too small 2. Clogged intake filter 3. Loose connections at fittings, tubing, etc. 	<ol style="list-style-type: none"> 1. Decrease usage or purchase unit with higher air delivery (SCFM). 2. Clean or replace. 3. Check all connections with soap and water solution. If a leak is detected, (1) tighten or (2) remove fitting and apply pipe tape to threads and reassemble.

Troubleshooting Chart (Continued)

Symptom	Possible Cause(s)	Corrective Action
	<ol style="list-style-type: none"> Tank leaks Broken valves Piston ring worn 	<ol style="list-style-type: none"> Check tank for leaks with soap and water solution. If leak is detected, tank must be replaced with genuine replacement part. Replace compressor valves as necessary. Replace piston and cylinder.
Excessive moisture in discharge air	<ol style="list-style-type: none"> Excessive water in tank High humidity 	<ol style="list-style-type: none"> Drain tank. Move to area of less humidity; use air line filter. <p>NOTE: Water condensation is not caused by compressor malfunction.</p>
Compressor runs continuously and safety valve opens as pressure rises	<ol style="list-style-type: none"> Defective pressure switch Defective safety valve 	<ol style="list-style-type: none"> Replace switch. Replace safety valve with genuine replacement part.
Excessive starting and stopping (auto start)	<ol style="list-style-type: none"> Excessive condensation in tank Loose connections at fittings, tubing, etc. Tank leaks 	<ol style="list-style-type: none"> Drain more often. Check all connections with soap and water solution. If a leak is detected, (1) tighten or (2) remove fitting and apply pipe tape to threads and reassemble. Check tank for leaks with soap and water solution. If leak is detected, tank must be replaced with genuine replacement part. <p>⚠ DANGER Do not disassemble check valve with air in tank; bleed tank</p>
Air leaking from unloader valve on pressure switch	<ol style="list-style-type: none"> Check valve stuck in an open position Unloader valve stuck in open position 	<ol style="list-style-type: none"> Repair or replace check valve. Repair or replace unloader valve. <p>⚠ DANGER Do not disassemble check valve with air in tank; bleed tank</p>

Oil-Lubricated Compressors

Limited Warranty

1. DURATION: From the date of purchase by the original purchaser as follows: Standard Duty - One Year; Serious Duty - Two Years; Extreme Duty - Three Years. **Maxus branded compressors carry a five (5) year warranty.**
2. WHO GIVES THIS WARRANTY (WARRANTOR):
Campbell Hausfeld / Scott Fetzer Company, 100 Production Drive, Harrison, Ohio, 45030, Telephone: (800) 543-6400
3. WHO RECEIVES THIS WARRANTY (PURCHASER): The original purchaser (other than for purposes of resale) of the Campbell Hausfeld compressor.
4. WHAT PRODUCTS ARE COVERED BY THIS WARRANTY: Any Campbell Hausfeld air compressor.
5. WHAT IS COVERED UNDER THIS WARRANTY: Substantial defects due to material and workmanship with the exceptions noted below.
6. WHAT IS NOT COVERED UNDER THIS WARRANTY:
 - A. Implied warranties, including those of merchantability and FITNESS FOR A PARTICULAR PURPOSE ARE LIMITED FROM THE DATE OF ORIGINAL PURCHASE AS STATED IN THE DURATION. If the compressor is used for commercial (everyday use in a business operation), industrial (daily plant operation), or rental purposes, the warranty will apply for ninety (90) days from the date of purchase. Extreme Duty Compressors are not limited to a ninety (90) day warranty when used in contractor applications. Maxus brand compressors are not limited to a ninety (90) day warranty when used in commercial and contractor applications. Four cylinder single-stage and two-stage compressors are not limited to a ninety (90) day warranty when used in commercial or industrial applications. Some states do not allow limitations on how long an implied warranty lasts, so the above limitations may not apply to you.
 - B. ANY INCIDENTAL, INDIRECT, OR CONSEQUENTIAL LOSS, DAMAGE, OR EXPENSE THAT MAY RESULT FROM ANY DEFECT, FAILURE, OR MALFUNCTION OF THE CAMPBELL HAUSFELD PRODUCT. Some States do not allow the exclusion or limitations of incidental or consequential damages, so the above limitation or exclusion may not apply to you.
 - C. Any failure that results from an accident, purchaser's abuse, neglect or failure to operate products in accordance with instructions provided in the owner's manual(s) supplied with compressor.
 - D. Pre-delivery service, i.e. assembly, oil or lubricants, and adjustment.
 - E. Items or service that are normally required to maintain the product, i.e. lubricants, filters and gaskets, etc.
 - F. Gasoline engines and components are expressly excluded from coverage under this limited warranty. The Purchaser must comply with the warranty given by the engine manufacturer which is supplied with the product.
 - G. Additional items not covered under this warranty:
 1. All Compressors
 - a. Any component damaged in shipment or any failure caused by installing or operating unit under conditions not in accordance with installation and operation guidelines or damaged by contact with tools or surroundings.
 - b. Pump or valve failure caused by rain, excessive humidity, corrosive environments or other contaminants.
 - c. Cosmetic defects that do not interfere with compressor functionality.
 - d. Rusted tanks, including but not limited to rust due to improper drainage or corrosive environments.
 - e. Electric motors, check valves and pressure switches after the first year of ownership.
 - f. Drain cocks.
 - g. Damage due to incorrect voltage or improper wiring.
 - h. Other items not listed but considered general wear parts.
 - i. Pressure switches, air governors and safety valves modified from factory settings.
 2. Lubricated Compressors
 - a. Pump wear or valve damage caused by using oil not specified.
 - b. Pump wear or valve damage caused by any oil contamination or by failure to follow proper oil maintenance guidelines.
 3. Belt Drive / Direct Drive / Gas Driven Compressors
 - a. Belts.
 - b. Ring wear or valve damage from inadequate filter maintenance.
 - c. Manually adjusted load/unload and throttle control devices.
7. RESPONSIBILITIES OF WARRANTOR UNDER THIS WARRANTY: Repair or replace, at Warrantor's option, compressor or component which is defective, has malfunctioned and/or failed to conform within duration of the warranty period.
8. RESPONSIBILITIES OF PURCHASER UNDER THIS WARRANTY:
 - A. Provide dated proof of purchase and maintenance records.
 - B. Portable compressors or components must be delivered or shipped to the nearest Campbell Hausfeld Authorized Service Center. Freight costs, if any, must be borne by the purchaser.
 - C. Use reasonable care in the operation and maintenance of the products as described in the owner's manual(s).
9. WHEN WARRANTOR WILL PERFORM REPAIR OR REPLACEMENT UNDER THIS WARRANTY: Repair or replacement will be scheduled and serviced according to the normal work flow at the servicing location, and depending on the availability of replacement parts.

This Limited Warranty applies in the U.S., Canada and Mexico only and gives you specific legal rights. You may also have other rights which vary from State to State or country to country.

Instructions D'Utilisation

S'il vous plaît lire et conserver ces instructions. Lire attentivement avant de monter, installer, utiliser ou de procéder à l'entretien du produit décrit. Se protéger ainsi que les autres en observant toutes les instructions de sécurité, sinon, il y a risque de blessure et/ou dégâts matériels! Conserver ces instructions comme référence.

Compresseur Graissé par l'Huile

Description

Ce compresseur résidentiel lubrifié à l'huile est conçu pour les bricoleurs avec une variété de travaux résidentiels et automobiles. Ces compresseurs actionnent les pistolets vaporisateurs, les clés à chocs, et autres outils. L'air comprimé produit par ce modèle va contenir de l'humidité. Installer un filtre ou un sécheur d'air si votre application requiert de l'air sec.

Directives De Sécurité

Ce manuel contient de l'information très importante qui est fournie pour la SÉCURITÉ et pour ÉVITER LES PROBLÈMES D'ÉQUIPEMENT. Rechercher les symboles suivants pour cette information.

▲ DANGER Danger indique une situation hasardeuse imminente qui RÉSULTERA en perte de vie ou blessures graves.

▲ AVERTISSEMENT Avertissement indique une situation hasardeuse potentielle qui PEUT résulter en perte de vie ou blessures graves.

▲ ATTENTION Attention indique une situation hasardeuse potentielle qui PEUT résulter en blessures.

AVIS Avis indique de l'information importante pour éviter le dommage de l'équipement.

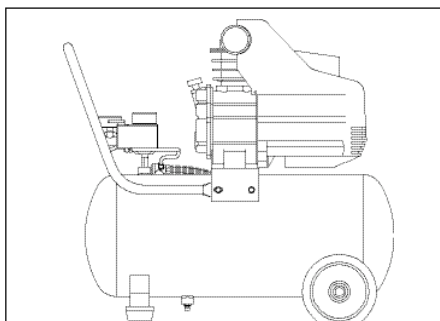
Déballage

Lors du déballage de ce produit, l'examiner soigneusement pour rechercher toute trace de dommage susceptible de s'être produit en cours de transport. Veiller à serrer tout raccord, boulon, etc., avant de mettre ce produit en service. En cas de dommage ou de parties manquantes, S.V.P. composer le 1-800-543-6400 pour demander conseil ou appeler un Centre De Service Autorisé Campbell Hausfeld.

Prière d'avoir le numéro de série, numéro de modèle et liste de parties (avec les parties manquantes encadrées) avant d'appeler.



NE PAS RENVOYER LE PRODUIT AU MARCHAND!



Enregistrer le No. de Modèle, No. de Série, et la Date d'Achat située sur la base de la pompe dans l'espace ci-dessous.

No. de Modèle _____

No. de Série _____

Date d'Achat _____

Garder ces numéros pour référence

Généralités Sur La Sécurité

PROPOSITION 65 DE CALIFORNIE

▲ AVERTISSEMENT Vous pouvez créer de la poussière en coupant, ponçant, perçant ou meulant les matériaux tels que le bois, la peinture, le métal, le béton, le ciment ou autre maçonnerie. Cette poussière contient souvent des produits chimiques reconnus pour causer le cancer, les déformations congénitales ou autres problèmes de la reproduction. Porter de l'équipement de protection.

▲ AVERTISSEMENT Ce produit ou son cordon peuvent contenir des produits chimiques, y compris du plomb, relevés par l'État de Californie comme cause de cancer, d'anomalies congénitales ou d'autres problèmes reproductifs. Lavez-vous les mains après toute manipulation.

GÉNÉRALITÉS SUR LA SÉCURITÉ

▲ AVERTISSEMENT Ne pas utiliser un modèle qui a été endommagé pendant le transport, la manipulation ou l'utilisation. Le dommage peut résulter en explosion et peut causer des blessures ou dégâts matériels.



Avertissement D'Air Respirable

Ce compresseur/pompe n'est pas équipé pour et ne devrait pas être utilisé "comme soi" pour fournir de l'air respirable. Pour les applications d'air pour la consommation humaine, il est nécessaire d'équiper le compresseur d'air/pompe avec de l'équipement de sécurité en canalisation et d'alarme. Cet équipement additionnel est nécessaire pour filtrer et purifier l'air afin d'atteindre les spécifications minimales pour la respiration Grade D décrite dans le Compressed Gas Association Commodity Specification G 7.1 - 1966, OSHA 29 CFR 1910. 134, and/or Canadian Standards Associations (CSA).

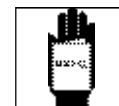
DÉNÉGATION DES GARANTIES

Si le compresseur est utilisé pour les applications d'air respirable et l'équipement de sécurité en canalisation et d'alarme n'est pas utilisé simultanément, les garanties en existence seront annulées, et Campbell Hausfeld dénie toute responsabilité pour n'importe quelle perte, blessure ou dommage.

▲ AVERTISSEMENT Ne Pas faire fonctionner sans supervision. Laisser le compresseur sur la position AUTO peut causer un démarrage accidentel. Pour éviter un démarrage accidentel et de possibles dommages par surtension, le mettre sur OFF après chaque utilisation.

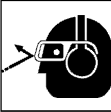
Puisque le compresseur d'air et les autres composants (filtres, lubrificateurs, tuyaux, etc.) utilisés forment un système haute pression, il faut respecter les précautions suivantes en tout temps :

1. Lire attentivement tous manuels compris avec ce produit. Se familiariser avec ce produit, ses commandes et son utilisation.




MÉMENTO: Gardez votre preuve datée d'achat à fin de la garantie! Joignez-la à ce manuel ou classez-la dans un dossier pour plus de sécurité.

Généralités Sur La Sécurité (Suite)

- Suivre tous les codes de sécurité locaux ainsi que les National Electrical Codes (NEC) and Occupational Safety and Health Act (OSHA) des É-U.
- Seules les personnes bien familiarisées avec ces règles d'utilisation doivent être autorisées à se servir du compresseur.
- Garder les visiteurs à l'écart de/et NE JAMAIS permettre les enfants dans l'endroit de travail.
- Utiliser des lunettes de sécurité et la protection auditive pendant l'utilisation du modèle. 
- Ne pas se tenir debout sur/ni utiliser le modèle comme une prise.
- Inspecter le système d'air comprimé et pièces détachées électriques pour toute indication de dommage, détérioration, faiblesse ou fuites avant chaque utilisation. Réparer ou remplacer toutes pièces défectueuses avant l'utilisation.
- Inspecter le degré de serrage de toutes attaches par intervalles régulières.

AVERTISSEMENT


Les moteurs, l'équipement électrique et les commandes peuvent provoquer des arcs électriques qui enflammeront les vapeurs ou les gaz inflammables. Ne jamais faire fonctionner ou réparer l'appareil près de gaz ou vapeur inflammable. Ne jamais ranger de liquides ou gaz inflammables près du compresseur. 

ATTENTION


Les pièces du compresseur peuvent être chaudes, même si le modèle est hors circuit. 

- Garder les doigts à l'écart du compresseur; les pièces mobiles et chaudes peuvent causer des blessures et/ou des brûlures.
- Si l'équipement vibre anormalement, ARRÊTER le moteur et l'inspecter immédiatement. La vibration est généralement une indication d'un problème.
- Pour réduire le risque d'incendie, garder l'extérieur du moteur libre d'huile, de solvant ou de graisse excessive.

AVERTISSEMENT

Ne jamais enlever ou essayer d'ajuster la soupape de sûreté. Tenir la soupape de sûreté libre de peinture et d'autres accumulations. 

DANGER

Ne jamais essayer de réparer ou de modifier un réservoir! Le soudage, perçage ou autre modifications peuvent affaiblir le réservoir et peuvent résulter en dommage de rupture ou d'explosion. Toujours remplacer un réservoir usé, fendu ou endommagé. 

AVIS

Purger le réservoir quotidiennement.

- L'accumulation d'humidité cause la rouille qui peut affaiblir le réservoir. Purger le réservoir quotidiennement et l'inspecter périodiquement pour la rouille et la corrosion ou autre dommage.
- L'air mouvante peut agiter la poussière et le débris qui peut être dangereux. Lâcher l'air lentement en purgeant l'humidité ou pendant la dépressurisation du système du compresseur.

AVERTISSEMENT


Ce produit ou son cordon contient des produits chimiques qui de l'avis de l'État de Californie cause le cancer et des anomalies congénitales ou autres problèmes de reproduction. Se laver les mains après toute manipulation.

PRÉCAUTIONS DE PULVÉRISATION

AVERTISSEMENT

Ne pulvériser les matériaux

inflammables dans un endroit de flamme ouverte ni près d'une source d'ignition y compris le compresseur.

- Ne pas fumer pendant la pulvérisation de la peinture, d'insecticides ou autres matières inflammables.
- Utiliser un masque/respirateur pendant la pulvérisation et pulvériser dans un endroit bien ventilé pour éviter le risque de blessures et d'incendie. 

- Ne pas diriger la peinture ou autre matériel pulvérisé vers le compresseur. Situer le compresseur aussi loin que possible de l'endroit de pulvérisation pour réduire l'accumulation de surpulvérisation sur le compresseur.

- Suivre les instructions du fabricant pendant la pulvérisation ou le nettoyage avec des solvants ou produits chimiques toxiques.

Assemblage

MONTAGE DE PIED EN CAOUTCHOUC (Figure 1)

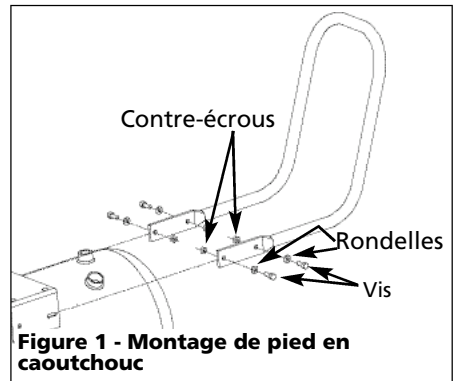


Figure 1 - Montage de pied en caoutchouc

- Placer les extrémités de la poignée autour du réservoir, derrière la plaque de montage. Aligner les trous de la poignée avec les trous de la plaque de montage.
- Assembler quatre (4) vis et rondelles (du paquet de pièces) dans les trous de la plaque de montage et de la poignée. Fixer avec des contre-écrous.

AVERTISSEMENT

Ne jamais utiliser la poignée pour soulever tout l'appareil du sol. Utiliser seulement la poignée pour soulever une extrémité pour que les roues puissent servir à déplacer l'appareil.

MONTAGE DE ROUE (Figure 2)

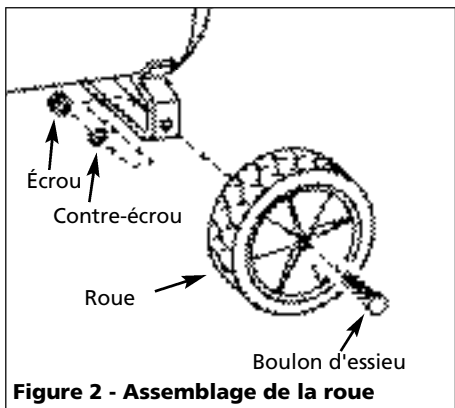


Figure 2 - Assemblage de la roue

La trousse d'assemblage de la roue inclut :

- 2 roues*
- 2 boulons d'essieu*
- 2 rondelles de blocage*
- 2 écrous*

Assemblage (suite)

Les articles portant un astérisque (*) ont été expédiés desserrés avec l'appareil.

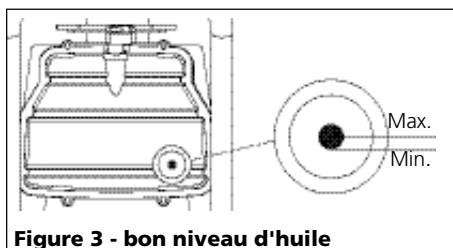
1. La roue a un moyeu décentré. Avec le moyeu décentré face au fer d'essieu, placer le boulon d'essieu à travers les trous de la roue et du fer d'essieu.
2. Placer la rondelle de blocage sur le boulon d'essieu. Bien resserrer l'écrou sur la partie filetée du boulon d'essieu.
3. Répéter la procédure de l'autre côté.

GRAISSAGE

ATTENTION **CE MODÈLE EST LIVRÉ SANS HUILE!**
Suivre les instructions de graissage avant de faire fonctionner le compresseur.

Utiliser l'huile expédiée avec le compresseur. **Ne pas utiliser d'huile régulière pour les automobiles telle que la 10 W-30.** Les additifs de l'huile régulière à moteur peuvent provoquer des dépôts dans la soupape et réduire la durée de vie utile de la pompe. Pour une durée de vie de pompe maximale, drainer et remplacer l'huile après les premières heures d'utilisation.

La pompe du compresseur prend environ 380 ml d'huile. Le regard dans la partie du carter de la pompe portant la mention de niveaux "max" et "min". Éviter de trop remplir en ajoutant l'huile graduellement et en vérifiant le niveau d'huile plusieurs fois avec la jauge. Ajouter suffisamment d'huile pour atteindre le niveau "max" sur le regard. Le niveau d'huile approprié est illustré à la figure 3.



FILTRE D'ASPIRATION

Enfiler le filtre d'aspiration dans l'ouverture filetée sur le côté de la tête du compresseur tel qu'illustré à la figure 4. Resserrer un peu avec une clé.

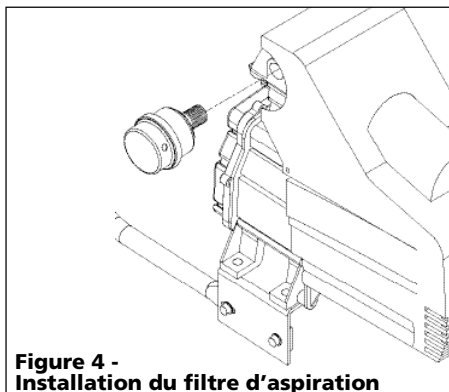


Figure 4 - Installation du filtre d'aspiration

Installation

ENDROIT

Il est très important d'installer le compresseur dans un endroit propre et bien ventilé où la température n'excédera pas 38°C (100°F).

Un espace libre minimum de 45,7 centimètres entre le compresseur et un mur est exigé pour éviter le stoppage d'air par des objets.

ATTENTION *Ne pas situer la prise d'air du compresseur près de la vapeur, un jet pulvérisé de peinture, endroits de décapage au sable ou autre sources de contamination. Le débris endommagera le moteur.*

INSTALLATION ÉLECTRIQUE

AVERTISSEMENT *Seul un électricien qualifié doit effectuer l'installation électrique et raccordements électriques. Respecter toutes les codes locaux et nationales de l'électricité.*

CÂBLAGE

1. Les codes de câblage électrique locaux diffèrent d'un endroit à l'autre. Le

câblage source, la fiche et le protecteur doivent être d'une valeur nominale d'au moins l'ampérage et la tension indiqués sur la plaque signalétique du moteur et doivent répondre à tous les codes électriques pour ce minimum.

2. Utiliser un fusible à action retardée ou un disjoncteur.
3. Ce produit est conçu pour l'utilisation d'un circuit de 120 volts et a une fiche de mise à la terre comme celle indiquée sur la Fig. 5. Assurer que le modèle est branché à une prise de courant qui a la même configuration que la fiche. Ce produit doit être mis à la terre. Dans l'événement d'un court-circuit, la mise à la terre diminue le risque de secousse électrique en fournissant un fil d'échappement pour le courant électrique. Ce produit est équipé avec un cordon qui a un fil de terre avec une fiche de terre. La fiche doit être branchée dans une prise de courant qui a été installée et mise à la terre correctement en respectant tous les codes et règlements locaux.

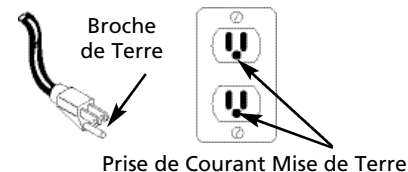


Figure 5 - Méthode de mise à la terre

ATTENTION

La surchauffe, les court-circuit et les dommages d'incendie proviendront d'un câblage inadéquat.

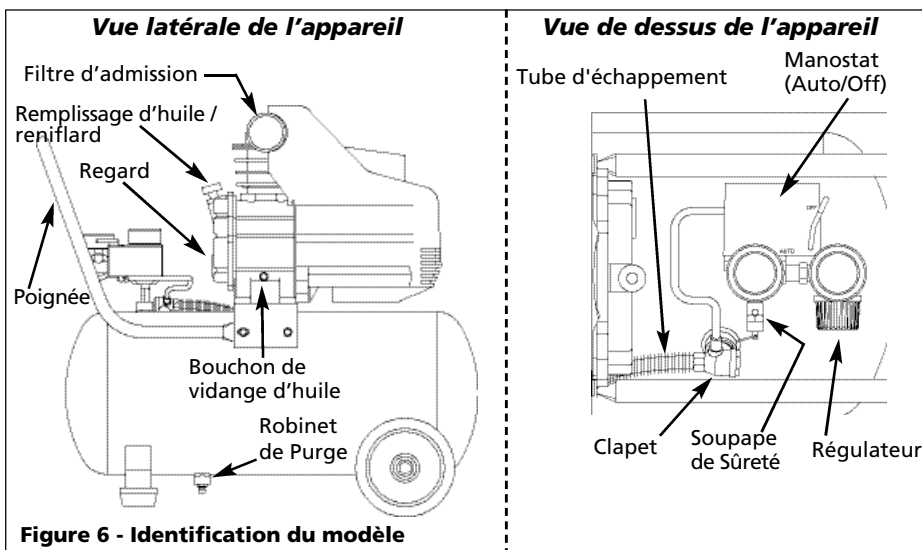


Figure 6 - Identification du modèle

Compresseur Graissé par l'Huile

Cordons Prolongateurs Pour Modèle De 120V/15 Ampères

Longueur du Cordon (m)

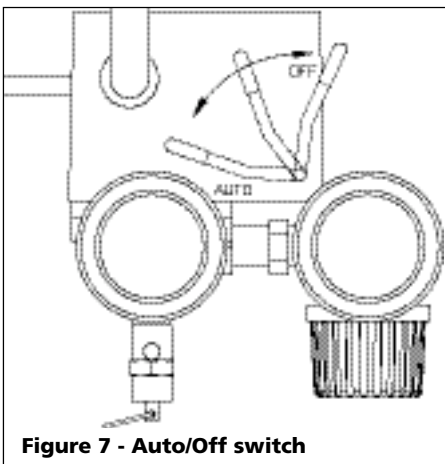
7,62 15,24 30,48

Calibre du Cordon

14 12 10

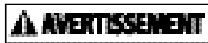
Fonctionnement

- **Manostat** - Interrupteur Auto/Off (Figure 7) – Dans la position **AUTO**, le compresseur se coupe automatiquement quand la pression du réservoir arrive à la pression maximale réglée d'avance. Dans la position **OFF**, le compresseur ne fonctionnera pas. Cet interrupteur devrait être dans la position **OFF** pendant le branchement ou le débranchement du cordon d'alimentation de la prise de courant ou pendant le changement d'outils pneumatiques.



- **Régulateur** - Le régulateur sert à régler la pression d'air à la sortie du tuyau.
- **Soupape de Sûreté ASME** - Cette soupape laisse échapper l'air si la pression du réservoir dépasse la pression maximum réglée d'avance.
- **Tuyau de décharge** - Ce tuyau transporte l'air comprimé de la pompe au clapet. Ce tuyau devient très chaud pendant l'utilisation. Pour éviter le risque des brûlures sévères, ne jamais toucher le tuyau de décharge.
- **Clapet** - Une soupape à sens unique qui permet l'arrivée d'air dans le réservoir mais ne permet pas que l'air se recule dans la pompe.

- **Poignée** - Conçue pour le déplacement du compresseur.



Ne jamais utiliser la poignée sur les modèles avec roues pour soulever le modèle.

- **Robinet de Purge** - Cette soupape est située sur la base du réservoir. Utiliser cette soupape pour purger l'humidité du réservoir quotidiennement afin de réduire le risque de corrosion.

Baisser la pression du réservoir sous 69 kPa, et ensuite purger l'humidité du réservoir afin d'éviter la corrosion. Purger l'humidité du/des réservoir(s) en ouvrant le robinet de purge situé sur la base du réservoir.

AVANT LE PREMIER DÉMARRAGE PROCÉDURE DE RÔDAGE

Cette procédure doit être terminée avant d'utiliser le compresseur pour la première fois. Ensuite, il n'est pas nécessaire de la refaire.

1. Tourner le bouton du régulateur complètement vers la droite, dans le sens des aiguilles d'une montre pour ouvrir la circulation d'air.
2. Mettre l'interrupteur marche/arrêt à la position "OFF" (ARRÊT).
3. Brancher le cordon d'alimentation.
4. Mettre l'interrupteur marche/arrêt à la position "AUTO" (marche) et faire fonctionner le compresseur pendant 30 minutes.
5. Mettre l'interrupteur marche/arrêt à la position "OFF" (ARRÊT).
6. Débrancher le cordon d'alimentation.

Le compresseur est maintenant prêt à être utilisé.

AVANT CHAQUE DÉMARRAGE PROCÉDURE DE FONCTIONNEMENT

1. Tourner le bouton du régulateur complètement vers la gauche, dans le

sens contraire des aiguilles d'une montre.

2. Connecter le tuyau d'air à la sortie du régulateur.
3. Mettre l'interrupteur marche/arrêt à la position "OFF" (ARRÊT).
4. Brancher le cordon d'alimentation.
5. Mettre l'interrupteur marche/arrêt à la position "AUTO" (marche) et faire fonctionner le compresseur jusqu'à ce qu'il atteigne la pression d'arrêt automatique.
6. Fixer le mandrin de pneu ou l'outil à l'extrémité du tuyau.
7. Tourner le bouton du régulateur complètement vers la droite, dans le sens des aiguilles d'une montre jusqu'à la pression voulue pour l'outil utilisé.

Cycle marche/arrêt du compresseur

En position "AUTO" (marche), le compresseur pompe de l'air dans le réservoir. Lorsqu'il atteint une pression d'arrêt (une "coupure" pré-établie), le compresseur s'arrête automatiquement.

Si le compresseur reste en position "AUTO" (marche) et si l'air sort complètement du réservoir en utilisant un mandrin de pneu, un outil, etc., alors le compresseur redémarrera automatiquement à sa pression pré-établie de "coupure". Lorsqu'un outil est utilisé continuellement, le compresseur passera automatiquement à des cycles marche et arrêt.

En position OFF (arrêt), le pressostat ne peut pas fonctionner et le compresseur ne fonctionnera pas. S'assurer que l'interrupteur est à la position OFF (arrêt) en connectant ou déconnectant le cordon d'alimentation de la prise de courant.

SOUPAPE DE SÛRETÉ ASME



Ne jamais enlever ou essayer d'ajuster la soupape de sûreté!

L'HUMIDITÉ DANS L'AIR COMPRIMÉ

L'humidité dans l'air comprimé forme des gouttelettes en arrivant de la pompe du compresseur. Si l'humidité est élevée ou si le compresseur est utilisé continuellement, cette humidité s'accumulera dans le réservoir. En utilisant un pistolet à peinture ou un pistolet pour décapage au sable, cette eau sera transportée hors du réservoir par moyen du tuyau en forme de gouttelettes mélangées avec le matériel utilisé.

IMPORTANT: Cette condensation peut avoir comme résultat des taches d'eau sur votre travail de peinture, surtout en pulvérisant la peinture qui n'est pas de base d'eau. Pendant la décapage au sable, (MP3105) cette eau servira à tenir le sable ensemble et à causer une obstruction dans le pistolet.

Fonctionnement (suite)

Vérifier la soupape de sûreté de la manière suivante :

1. Brancher le compresseur et le faire fonctionner jusqu'à ce qu'il atteigne la pression d'arrêt (voir procédure de fonctionnement).
2. Porter des lunettes de sécurité, tirer l'anneau sur la soupape de sûreté (voir les Figures 6 et 8) pour dégager la pression du réservoir du compresseur. Utiliser l'autre main pour éloigner l'air se déplaçant rapidement du visage.

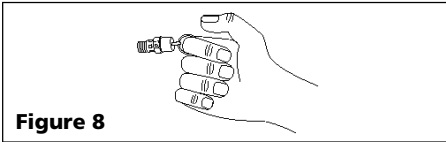


Figure 8

3. La soupape de sûreté se fermera automatiquement à environ 276 kPa - 345 kPa. Si la soupape ne laisse pas sortir l'air en tirant sur l'anneau, ou si elle ne se ferme pas automatiquement, il FAUT la remplacer.



S'il y a une fuite après que la

soupape soit lâchée ou si la soupape ne fonctionne pas, elle devrait être remplacée.

MANOMÈTRES

Jauge fixée au régulateur indique la pression d'air dans le boyau (et tout outil fixé à l'extrémité du boyau).

La jauge fixée au pressostat indique la pression d'air dans le réservoir.

Entretien



Débrancher de la source de puissance et ensuite dissiper toute la pression du système avant d'essayer d'installer, de réparer, de déplacer ou de procéder à l'entretien.



Inspecter le compresseur souvent et suivre les procédés d'entretien suivants pendant chaque utilisation du compresseur.

1. Éteindre le compresseur et dégager la pression du système. Pour dégager la pression du système, tirer sur la soupape de sûreté ASME (voir les Figures 6 et 8). Éloigner l'air qui s'échappe en protégeant la soupape d'une main tout en tirant de l'autre. Tirer l'anneau jusqu'à ce que le réservoir soit vide.



ATTENTION Une grande quantité d'air se déplaçant rapidement sera dégagée en ouvrant la soupape de sûreté par pression du réservoir. Porter des lunettes de sécurité Z87.1 approuvées par ANSI.

2. Drainer l'humidité du réservoir en ouvrant le robinet de vidange sous le réservoir. Pencher le réservoir pour en retirer toute l'humidité.
3. Nettoyer la poussière et la saleté du réservoir, des conduites d'air et le couvercle de pompe tandis que le compresseur est encore arrêté (OFF).

CHANGER L'HUILE

1. Permettre que le compresseur fonctionne et réchauffe l'huile. Débrancher le modèle.
2. Placer un récipient sous le bout de la pompe du modèle.
3. Enlever le bouchon de vidange (voir Figure 6), permettre que l'huile se vide dans le récipient. Incliner le modèle pour le vider complètement.
4. Remplacer le bouchon de vidange, remplir la pompe jusqu'à la ligne pleine du regard. Utiliser l'huile à moteur synthétique Chevron 5W-30, Mobil 1 5W-30 ou 10W-30 dans ce compresseur. L'utilisation d'autres types d'huile causera des problèmes de démarrage.
5. Changer l'huile après chaque 50 heures d'usage.

ENTRETIEN DU FILTRE D'AIR D'ASPIRATION

Retrait, inspection et remplacement (figure 9).

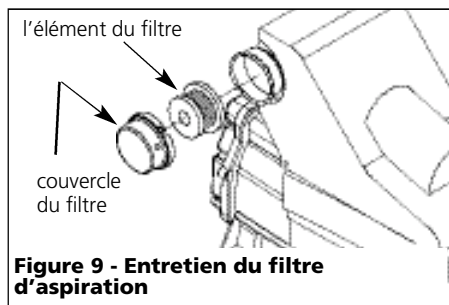


Figure 9 - Entretien du filtre d'aspiration

Il faut retirer l'élément du filtre d'aspiration et le vérifier régulièrement. Un filtre d'aspiration bloqué peut réduire la performance du compresseur et provoquer une surchauffe du compresseur.

1. Tourner le couvercle du filtre dans le sens contraire des aiguilles d'une montre et retirer.
2. Retirer l'élément du filtre et inspecter.
3. Si l'élément du filtre est sale ou bloqué, le remplacer.
4. Réinstaller le filtre et le couvercle.

IMPORTANT: Placer l'unité aussi loin que possible du secteur de pulvérisation pour éviter que la surpulvérisation bloque le filtre.

SECTION DE PROTECTEUR DE SURCHARGE

AVIS

Ce compresseur est doté d'un protecteur de surcharge thermique qui coupera le moteur s'il surchauffe.

Si le protecteur coupe fréquemment le moteur, rechercher les causes suivantes.

1. Basse tension.
2. Filtre d'air bloqué.
3. Manque de ventilation appropriée.

AVIS

Si le protecteur de surchauffe est activé, le moteur doit pouvoir se refroidir pendant 30 minutes. Pour réinitialiser après le refroidissement du moteur, tourner le pressostat à la position « OFF » (arrêt) puis à la position « AUTO ».

RANGEMENT




1. Vidanger le réservoir d'humidité.
2. Lorsque l'appareil n'est pas utilisé, le ranger dans un endroit frais et sec.
3. Débrancher le tuyau et laisser tomber les extrémités ouvertes pour permettre le drainage de l'humidité.

Compresseur Graissé par l'Huile

Guide De Dépannage

Symptôme	Cause(s) Possible(s)	Mesures Correctives
Le compresseur ne fonctionne pas	<ol style="list-style-type: none">1. Interrupteur à la position OFF (arrêt)2. Aucun courant à la prise.3. Le compresseur a atteint la pression d'arrêt automatique4. Moteur surchargé5. Pressostat défectueux	<ol style="list-style-type: none">1. S'assurer que le compresseur est branché et l'interrupteur à ON (marche).2. Vérifier le disjoncteur et le fusible au panneau électrique.3. Drainer l'air du réservoir jusqu'à ce que le compresseur redémarré automatiquement.4. Laisser le compresseur refroidir pendant environ 30 minutes. Pour réinitialiser, tourner le pressostat à « OFF » (arrêt), puis à « AUTO ». S'assurer que le compresseur fonctionne dans un milieu propre et bien ventilé.5. Remplacer le pressostat.
Le moteur ronfle, mais ne fonctionne pas ou fonctionne lentement.	<ol style="list-style-type: none">1. Clapet de non-retour défectueux2. Clapet de marche à vide défectueux (sur le pressostat)3. Basse tension4. Connexions électriques desserrées5. Mauvais calibre de fil ou longueur de rallonge6. Condensateur de moteur défectueux7. Court-circuit ou enroulement du moteur ouvert	<ol style="list-style-type: none">1. Réparer ou remplacer.2. Réparer ou remplacer.3. Vérifier la tension à la prise murale avec un voltmètre.4. Vérifier toutes les connexions électriques.5. Vérifier le tableau de rallonge pour la bonne utilisation de la rallonge.6. Remplacer le condensateur.7. Remplacer l'assemblage du moteur. <p>⚠ DANGER</p> <p>Ne pas démonter le clapet de non-retour avec de l'air dans le réservoir; purger le réservoir</p>
Fusible grille/disjoncteur se déclenche à répétition	<ol style="list-style-type: none">1. Mauvaise taille de fusible, surcharge de circuit2. Mauvais calibre de fil ou longueur de rallonge3. Clapet de non-retour défectueux4. Clapet de marche à vide défectueux (sur le pressostat)5. Condensateur de moteur défectueux6. Moteur court-circuité ou gèle	<ol style="list-style-type: none">1. Vérifier la taille du fusible. Utiliser un fusible de type de surcharge Débrancher tous les autres appareils électriques du circuit ou faire fonctionner le compresseur sur son propre circuit de dérivation.2. Vérifier le tableau de rallonge pour la bonne utilisation de la rallonge.3. Réparer ou remplacer.4. Réparer ou remplacer.5. Remplacer le condensateur.6. Remplacer l'assemblage du moteur. <p>⚠ DANGER</p> <p>Ne pas démonter le clapet de non-retour avec de l'air dans le réservoir; purger le réservoir</p>
Le protecteur de surcharge thermique se coupe à répétition	<ol style="list-style-type: none">1. Basse tension2. Mauvais calibre de fil ou longueur de rallonge3. Filtre d'entrée bloqué4. Manque de ventilation appropriée/ température ambiante trop élevée5. Clapet de non-retour défectueux6. Clapet de marche à vide défectueux (sur le pressostat)7. Défaillances de soupapes de compresseur	<ol style="list-style-type: none">1. Vérifier la tension à la prise murale avec un voltmètre.2. Vérifier le tableau de rallonge pour la bonne utilisation de la rallonge.3. Nettoyer ou remplacer le filtre.4. Déplacer le compresseur à un endroit bien ventilé.5. Réparer ou remplacer.6. Réparer ou remplacer.7. Remplacer l'assemblage de la soupape. <p>⚠ DANGER</p> <p>Ne pas démonter le clapet de non-retour avec de l'air dans le réservoir; purger le réservoir</p>
Frappe, cogne et/ou vibration excessive	<ol style="list-style-type: none">1. Boulons de montage desserrés2. Réservoir n'est pas à niveau3. Le cylindre ou le piston est usé/marqué	<ol style="list-style-type: none">1. Resserrer les boulons2. Utiliser un objet/coin solide pour ramener le réservoir à la position à niveau.3. Remplacer ou réparer au besoin.

Guide De Dépannage (Suite)

Symptôme	Cause(s) Possible(s)	Mesures Correctives
La pression du réservoir tombe lorsque le compresseur est éteint	<ol style="list-style-type: none"> 1. Robinet de vidange desserré 2. Vérifier toute fuite de soupape 3. Connexions desserrées aux raccords, tubes, etc. 4. Fuite du réservoir 	<ol style="list-style-type: none"> 1. Resserrer. 2. Retirer le clapet de non-retour. Nettoyer ou remplacer. 3. Vérifier toutes les connexions avec une solution de savon et d'eau. S'il y a une fuite, (1) resserrer ou (2) retirer le raccord et appliquer du ruban à tuyau pour les filets et remonter. 4. Vérifier le réservoir pour les fuites avec une solution de savon et d'eau. S'il y a une fuite, le réservoir doit être remplacé avec une pièce de rechange d'origine.
 <p>Ne pas démonter le clapet de non-retour avec de l'air dans le réservoir; purger le réservoir</p>		
Le compresseur fonctionne continuellement et la sortie d'air est plus basse que la pression de décharge normale/faible	<ol style="list-style-type: none"> 1. Utilisation d'air excessive, compresseur trop petit 2. Filtre d'aspiration bloqué 3. Connexions desserrées aux raccords, tubes, etc. 4. Fuites du réservoir 5. Soupapes cassées 6. Bague de piston usée 	<ol style="list-style-type: none"> 1. Réduire l'utilisation ou acheter une unité à livraison d'air plus élevée (PCNM). 2. Nettoyer ou remplacer. 3. Vérifier toutes les connexions avec une solution de savon et d'eau. S'il y a une fuite, (1) resserrer ou (2) retirer le raccord et appliquer du ruban à tuyau pour les filets et remonter. 4. Vérifier le réservoir pour les fuites avec une solution de savon et d'eau. S'il y a une fuite, le réservoir doit être remplacé avec une pièce de rechange d'origine. 5. Remplacer les soupapes du compresseur au besoin. 6. Remplacer le piston et le cylindre.
Humidité excessive dans l'air de décharge	<ol style="list-style-type: none"> 1. Eau excessive dans le réservoir 2. Humidité élevée 	<ol style="list-style-type: none"> 1. Vidanger le réservoir. 2. Déplacer à un endroit moins humide; utiliser un filtre dans la conduite d'air Remarque : La condensation d'air n'est pas causée par une défaillance du compresseur.
Le compresseur fonctionne continuellement et la soupape de sécurité s'ouvre tandis que la pression monte	<ol style="list-style-type: none"> 1. Pressostat défectueux 2. Soupape de sécurité défectueuse 	<ol style="list-style-type: none"> 1. Remplacer le pressostat 2. Remplacer la soupape de sécurité avec des pièces de rechange authentiques.
Démarrage et arrêt excessifs (auto démarrage)	<ol style="list-style-type: none"> 1. Condensation excessive dans le réservoir 2. Connexions desserrées aux raccords, tubes, etc. 3. Fuites du réservoir 	<ol style="list-style-type: none"> 1. Vidanger plus souvent. 2. Vérifier toutes les connexions avec une solution de savon et d'eau. S'il y a une fuite, (1) resserrer ou (2) retirer le raccord et appliquer du ruban à tuyau pour les filets et remonter. 3. Vérifier le réservoir pour les fuites avec une solution de savon et d'eau. S'il y a une fuite, le réservoir doit être remplacé avec une pièce de rechange d'origine.
 <p>Ne pas démonter le clapet de non-retour avec de l'air dans le réservoir; purger le réservoir</p>		
Fuite d'air du clapet de marche sur le pressostat	<ol style="list-style-type: none"> 1. Le clapet de non-retour colle en position ouverte 2. Le clapet de marche colle en position ouverte 	<ol style="list-style-type: none"> 1. Réparer ou remplacer le clapet de non-retour. 2. Réparer ou remplacer le clapet de marche.
 <p>Ne pas démonter le clapet de non-retour avec de l'air dans le réservoir; purger le réservoir</p>		

Garantie Limitée

1. DURÉE: À partir de la date d'achat par l'acheteur original comme suit : Produits À Service Standard (Standard Duty) - Un An; Produits À Service Sérieux (Serious Duty) - Deux Ans; Produits À Service Extrême (Extreme Duty) - Trois Ans. **Les compresseurs de marque Maxus ont une garantie de cinq (5) ans.**
2. GARANTIE ACCORDÉE PAR (GARANT) : Campbell Hausfeld/Scott Fetzer Company, 100 Production Drive, Harrison, Ohio, 45030, Téléphone: (800) 543-6400.
3. BÉNÉFICIAIRE DE CETTE GARANTIE (ACHETEUR): L'acheteur original (sauf en cas de revente) du produit Campbell Hausfeld.
4. PRODUITS COUVERTS PAR CETTE GARANTIE: N'importe quel compresseur d'air Campbell Hausfeld.
5. COUVERTURE DE LA PRÉSENTE GARANTIE : Défauts de matériau et de fabrication considérables avec les exceptions indiquées ci-dessous.
6. LA PRÉSENTE GARANTIE NE COUVRE PAS:
 - A. Les garanties implicites, y compris celles de commercialisation et D'ADAPTATION À UNE FONCTION PARTICULIÈRE SONT LIMITÉES À PARTIR DE LA DATE D'ACHAT INITIALE TELLE QU'INDIQUÉE DANS LA SECTION DURÉE. Si ce compresseur d'air est utilisé pour une fonction commerciale (utilisation courante dans une compagnie), industrielle (opération quotidienne en usine) ou pour la location, la durée de la garantie sera quatre-vingt-dix (90) jours à compter de la date d'achat. Les compresseurs à service extrême (extreme duty) ne sont pas limités à une garantie de quatre-vingt-dix (90) jours lorsqu'ils sont utilisés dans des applications d'entrepreneur. Les compresseurs de marque Maxus ne sont pas limités à une garantie de quatre-vingt-dix (90) jours lorsqu'ils sont utilisés dans des applications d'entrepreneur et commerciales. Les produits à quatre cylindres d'un ou de deux étages ne sont pas limités à une garantie de quatre-vingt-dix (90) jours si utilisés dans les applications commerciaux ou industrielles. Certaines Provinces (États) n'autorisent pas de limitations de durée pour les garanties implicites, donc les limitations précédentes peuvent donc ne pas s'appliquer.
 - B. TOUT DOMMAGE, PERTE OU DÉPENSE FORTUIT OU INDIRECT POUVANT RÉSULTER DE TOUT DÉFAUT, PANNE OU MAUVAIS FONCTIONNEMENT DU PRODUIT CAMPBELL HAUSFELD. Quelques Provinces (États) n'autorisent pas l'exclusion ni la limitation des dommages fortuits ou indirects. La limitation ou l'exclusion précédente peut donc ne pas s'appliquer.
 - C. Toute panne résultant d'un accident, d'une utilisation abusive, de la négligence ou d'une utilisation ne respectant pas les instructions données dans le(s) manuel(s) accompagnant le produit.
 - D. Service avant livraison; le montage, l'huile ou la graisse et les réglages par exemple.
 - E. Articles ou services qui sont exigés pour l'entretien normal du produit; graisses, filtres et joints d'étanchéité par exemple.
 - F. Les moteurs à essence et les pièces détachées sont expressément exclus de cette garantie limitée. L'acheteur doit observer la garantie du fabricant de moteur qui est fournie avec le produit.
 - G. Articles supplémentaires qui ne sont pas couverts sous cette garantie:
 1. Tous les Compresseurs
 - a. Toutes pièces détachées endommagées pendant l'expédition, n'importe quelle panne causée par un montage ou fonctionnement du modèle sous des conditions qui ne se conforment pas aux directives de montage et de fonctionnement ou dommage causé par le contact avec les outils ou les alentours.
 - b. La défaillance de la pompe ou de la soupape causée par la pluie, l'humidité excessive, un environnement corrosif ou autres polluants.
 - c. Les défauts de forme qui n'ont pas d'effet sur le fonctionnement du compresseur.
 - d. Les réservoirs rouillés, y compris mais sans s'y limiter à la rouille causée par la vidange incorrecte ou par un environnement corrosif.
 - e. Les moteurs électriques, les clapets, et les manostats suivant la première année de possession.
 - f. Robinets de vidange.
 - g. Dommage dû à la tension ou installation de fils incorrecte.
 - h. Autres articles non indiqués mais considérés pièces d'usure générale.
 - i. Manostats, régulateurs d'air et soupapes de sûreté qui ont été modifiés d'après les réglages de l'usine.
 2. Compresseurs Graissés
 - a. Usure de la pompe ou dommage aux soupapes causé par l'utilisation d'huile non-spécifiée.
 - b. Usure de la pompe ou dommage aux soupapes causé par toute contamination d'huile ou par le manque de suivre les directives d'entretien d'huile.
 3. Commande par Courroie / Commande Directe / Compresseurs à Essence
 - a. Courroies
 - b. Usure de bagues causée par l'entretien de filtre insuffisant
 - c. Appareils manuels de chargement/déchargement et appareils de commande d'obturateur.
7. RESPONSABILITÉS DU GARANT AUX TERMES DE CETTE GARANTIE: Réparation ou remplacement, au choix du Garant, d'un compresseur ou d'une pièce détachée qui s'est révélé défectueux ou qui n'est pas conforme pendant la durée de validité de la garantie.
8. RESPONSABILITÉS DE L'ACHETEUR AUX TERMES DE CETTE GARANTIE :
 - A. Fournir une preuve d'achat datée et un état d'entretien.
 - B. La livraison ou expédition des compresseurs portatifs ou des pièces détachées au Centre De Service Autorisé Campbell Hausfeld le plus près. Frais de transport, si applicables, sont la responsabilité de l'acheteur.
 - C. Utilisation et entretien du produit avec un soin raisonnable, ainsi que le décri(vent)t le(s) manuel(s) d'utilisation.
9. RÉPARATION OU REMPLACEMENT EFFECTUÉ PAR LE GARANT AUX TERMES DE LA PRÉSENTE GARANTIE : La réparation ou le remplacement sera prévu et exécuté en fonction de la charge de travail dans le centre de service et dépendra de la disponibilité des pièces de rechange.

Cette Garantie Limitée s'applique aux É.-U., au Canada et au Mexique seulement et vous donne des droits juridiques précis. L'acheteur peut également jouir d'autres droits qui varient d'une Province, d'un État ou d'un Pays à l'autre.

Instrucciones para la Operación

Sírvase leer y guardar estas instrucciones. Lea con cuidado antes de tratar de armar, instalar, manejar o darle servicio al producto descrito en este manual. Protéjase Ud. y a los demás observando todas las reglas de seguridad. El no seguir las instrucciones podría resultar en heridas y/o daños a su propiedad. Guarde este manual como referencia.

Compresor lubricado con aceite

Descripción

Este compresor residencial lubricado por aceite está diseñado para aficionados al bricolaje, para una variedad de trabajos en el hogar o en automóviles. Estos compresores alimentan pistolas de rociado, herramientas de impacto y otras herramientas. El aire comprimido producido por esta unidad contiene humedad. Instale un filtro para agua o un secador de aire si la aplicación requiere de aire seco.

Medidas de Seguridad

Este manual contiene información que es muy importante que sepa y comprenda. Esta información se la suministramos como medida de SEGURIDAD y para EVITAR PROBLEMAS CON EL EQUIPO. Debe reconocer los siguientes símbolos.

PELIGRO Esto le indica que hay una situación inmediata que LE OCASIONARIA la muerte o heridas de gravedad.

ADVERTENCIA Esto le indica que hay una situación que PODRIA ocasionarle la muerte o heridas de gravedad.

PRECAUCION Esto le indica que hay una situación que PODRIA ocasionarle heridas no muy graves.

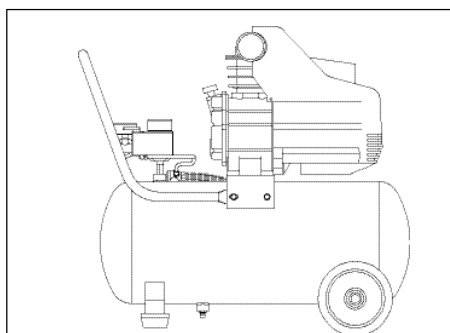
AVISO Esto le indica una información importante, que de no seguirla, le podría ocasionar daños al equipo.

Para Desempacar

Cuando desempaque la unidad, inspecciónela cuidadosamente para verificar si se han producido daños durante el transporte. Asegúrese de apretar todos los accesorios, pernos, etc. que estén sueltos antes de poner la unidad en servicio. En el caso de que haya daño o partes que faltan, haga el favor de llamar al 1-800-543-6400 para obtener ayuda o llame al Centro De Servicio Autorizado De Campbell Hausfeld más cercano. Tenga a mano el número de



¡NO DEVUELVA EL PRODUCTO AL MINORISTA!



Registre en el espacio a continuación el No. del Modelo, el Número de Serie y la Fecha de Compra ubicados en la base debajo de la bomb.

No. del Modelo _____

No. de Serie _____

Fecha de Compra _____

Guardé estos números para referencia en el futuro.

serie, el número del modelo y la lista de partes (con las partes que faltan marcadas con un círculo) antes de llamar.

Informaciones Generales de Seguridad

ADVERTENCIA Cuando corta lija, taladra o pule materiales como por ejemplo madera, pintura, metal, hormigón, cemento, u otro tipo de mampostería se puede producir polvo. Con frecuencia este polvo contiene productos químicos que se conocen como causantes de cáncer, defectos congénitos u otros daños reproductivos. Use equipo de protección.

ADVERTENCIA Este producto o su cable de corriente pueden contener químicos, incluido plomo, que es conocido por el Estado de California como causante de cáncer y defectos de nacimiento u otros daños reproductivos. Lávese las manos después de manipularlo.

PELIGRO

Advertencia sobre el aire respirable

Este compresor/cabezal no viene listo de fábrica para suministrarle aire respirable. Antes de utilizarlos con este fin, deberá instalarle un sistema de seguridad y alarma incorporado a la línea. Este sistema adicional es necesario para filtrar y purificar el aire adecuadamente, para cumplir con las especificaciones mínimas sobre aire respirable de Grado D descritas en la Especificación de Productos G 7.1 - 1966 de la Asociación de Aire Comprimido. Igualmente, deberá cumplir los requisitos establecidos por el Artículo 29 CFR 1910. 134 de la Organización norteamericana OSHA y/o la Canadian Standards Associations (CSA).
RENUNCIA A LAS GARANTIAS
Si el compresor se utiliza para producir aire respirable SIN haberle instalado el sistema de seguridad y alarma, todas las garantías se anularán y la compañía Campbell Hausfeld no asumirá NINGUNA responsabilidad por pérdidas, heridas personales o daños.

ADVERTENCIA No debe utilizar la unidad si se ha dañado durante el envío, manejo o uso. Los daños podrían ocasionar una explosión y ocasionarle heridas o daños a su propiedad.

ADVERTENCIA No lo haga funcionar sin supervisión. El dejar el compresor en la posición AUTO puede causar que se encienda inadvertidamente. Para prevenir que eso ocurra y posibles daños por un aumento de tensión, apague el compresor después de cada uso.

Como el compresor de aire y demás componentes (filtros, lubricantes, mangueras, etc.) que se utilizan conforman un sistema de bombeo de alta presión, deben seguirse en todo momento las siguientes precauciones de seguridad:

RECORDATORIO: ¡Guarde su comprobante de compra con fecha para fines de la garantía!

Adjúntela a este manual o archívela en lugar seguro.

Informaciones Generales de Seguridad (Continuación)

1. Lea con cuidado todos los manuales incluidos con este producto. Familiarícese con los controles y el uso adecuado del equipo.

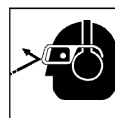


2. Siga todos los códigos de seguridad laboral y electricidad establecidos en su país, por ejemplo los de la NEC y OSHA en EUA.

3. Este compresor sólo debe ser usado por personas que estén bien familiarizadas con las reglas de seguridad y de manejo.

4. Mantenga a los visitantes alejados y NUNCA permita la presencia de niños en el área de trabajo.

5. Siempre use anteojos de seguridad y protéjase los oídos para operar el cabezal o el compresor.



6. No se encarama sobre el cabezal, ni lo use para sostenerse.

7. Antes de cada uso, inspeccione el sistema de aire comprimido y los componentes eléctricos, para ver si están dañados, deteriorados, desgastados o tienen fugas. Repare o reemplace las piezas dañadas antes de usar el equipo.

8. Chequee todas las conexiones frecuentemente para cerciorarse de que estén bien apretadas.

ADVERTENCIA

Los motores, equipos eléctricos y controles pueden ocasionar arcos eléctricos que encenderían gases o vapores inflamables. Nunca maneje ni repare la unidad en las proximidades de gases o vapores inflamables. Nunca almacene líquidos o gases inflamables cerca del compresor.



PRECAUCION

Las piezas del compresor podrían estar calientes, inclusive cuando la unidad esté apagada.



9. Mantenga los dedos alejados del compresor cuando esté funcionando; las piezas en movimiento o calientes, le ocasionarían heridas y/o quemaduras.

10. Si el equipo comienza a vibrar excesivamente, APAGUE el motor y chequeelo inmediatamente para

determinar la razón. Generalmente, la vibración excesiva se debe a una falla.

11. Para reducir el peligro de incendio, mantenga el exterior del motor libre de aceite, solventes o exceso de grasa.



ADVERTENCIA Nunca debe desconectar o tratar de ajustar las válvulas de seguridad. Igualmente, debe evitar que se le acumule pintura u otros materiales.

PELIGRO

¡Nunca trate de reparar o modificar el tanque! Si lo suelda, taladra o modifica de cualquier otra manera, el tanque se debilitará y se podría dañar, romperse o explotar. Siempre reemplace los tanques desgastados, rotos o dañados.



ADVERTENCIA Drene el tanque diariamente.

12. Los tanques se oxidan debido a la acumulación de humedad y esto debilita el tanque. Cerciórese de drenar el tanque con regularidad e inspecciónelo periódicamente para ver si está en malas condiciones, por ejemplo si está oxidado.

13. La circulación rápida de aire podría levantar polvo y desperdicios dañinos. Siempre libere el aire lentamente para drenar el tanque o liberar la presión del sistema.

ADVERTENCIA Este producto o su cable de corriente contienen productos químicos conocidos por el Estado de California como causantes de cáncer y defectos de nacimiento u otros daños reproductivos. Lávese las manos después de manipularlo.

PRECAUCIONES PARA ROCIAR

ADVERTENCIA Nunca rocíe materiales inflamables cerca de llamas al descubierto o fuentes de ignición incluyendo el compresor.

14. No fume mientras esté rociando pintura, insecticidas u otras sustancias inflamables.

15. Use una máscara/respirador cuando vaya a rociar y siempre rocíe en un área bien ventilada para evitar peligros de salud e incendios.



16. Nunca rocíe la pintura y otros materiales, directamente hacia el compresor. Coloque el compresor lo más lejos posible del área de trabajo, para minimizar la acumulación de residuos en el compresor.

17. Al rociar o limpiar con solventes o químicos tóxicos, siga las instrucciones del fabricante de dichos químicos.

Ensamblaje

ENSAMBLE DEL MANGO (Figura 1)

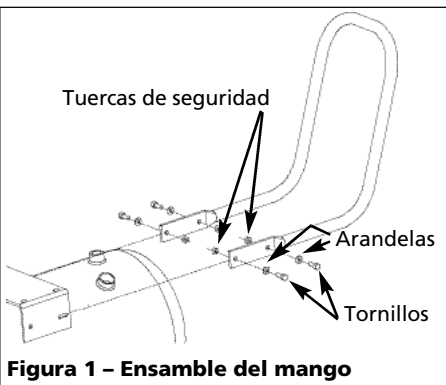


Figura 1 - Ensamble del mango

1. Coloque los extremos del mango alrededor del tanque, detrás de la placa de montaje. Alinee los orificios del mango con los orificios de la placa de montaje.

2. Ensamble 4 (cuatro) tornillos y arandelas (del paquete de piezas) a través de los orificios de la placa de montaje y del mango. Asegure con contratuerzas.

ADVERTENCIA Nunca use el mango para levantar la unidad completamente. Use el mango solamente para levantar un extremo para que las ruedas puedan usarse para mover la unidad.

MONTAJE DE LA RUEDA (Figura 2)

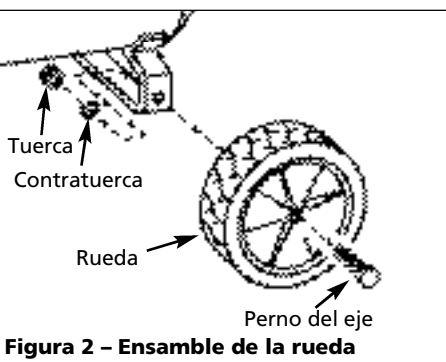


Figura 2 - Ensamble de la rueda

Ensamblaje (Continuación)

El juego del ensamble de la rueda incluye:

- 2 ruedas*
- 2 pernos de eje*
- 2 arandelas de presión*
- 2 tuercas*

Los artículos marcados con asterisco (*) se despacharon sueltos con la unidad.

1. La rueda tiene un cubo descentrado. Con el cubo descentrado hacia el hierro del eje, ensamble los pernos del eje a través de los orificios de la rueda y del hierro del eje.
2. Coloque la arandela de presión en el perno del eje. Luego apriete la tuerca de modo seguro a la parte roscada del perno del eje.
3. Repita el procedimiento con el otro lado.

LUBRICACION

PRECAUCIÓN ¡ESTA UNIDAD VIENE DE FABRICA SIN ACEITE! Siga las instrucciones de lubricación antes de utilizar el compresor.

Use el aceite que se envía con el compresor. **No utilice aceite automotriz común como por ejemplo 10W-30.** Los aditivos existentes en el aceite de motor común pueden causar la acumulación de depósitos y reducir la vida útil de la bomba. Para que la bomba tenga una máxima vida útil, drene y cambie el aceite después de las primeras horas de funcionamiento.

La bomba del compresor lleva aproximadamente 380 ml de aceite. La ventanilla, ubicada en la caja del cigüeñal de la bomba, tiene marcas para niveles "max" y "min". Evite llenar en exceso, agregando aceite en forma gradual y verificando el ventanilla varias veces con la varilla de medición de aceite. Agregue suficiente aceite para que llegue al nivel marcado con "máx" en el visor de vidrio. El nivel adecuado de aceite está ilustrado en la Figura 3.

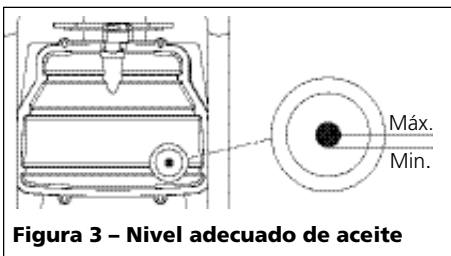


Figura 3 - Nivel adecuado de aceite

FILTRO DE ENTRADA

Enrosque el filtro de entrada de aire en la abertura roscada que se encuentra en uno de los lados del cabezal del

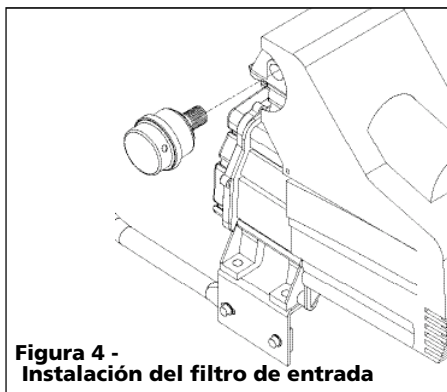


Figura 4 - Instalación del filtro de entrada

compresor, según se ilustra en la Figura 4. Apriete cuidadosamente con una llave.

Instalación

COLOCACIÓN

Es de suma importancia instalar el compresor en un lugar limpio y bien ventilado donde la temperatura ambiente no sea mayor de 38° C (100°F).

Se requiere un espacio mínimo de 45,7 cm (18 pulgadas) entre el compresor y la pared, ya que los objetos podrían obstruir el paso de aire.

PRECAUCIÓN No coloque la entrada de aire del compresor cerca de áreas con vapor, vapores de pintura, chorros de arena o cualquier otra fuente de contaminación. Los desperdicios dañarán el motor.

INSTALACIÓN ELÉCTRICA

ADVERTENCIA Todas las conexiones eléctricas y el alambrado deberán ser llevados a cabo por un electricista profesional. La instalación debe estar conforme con los códigos locales y los códigos nacionales sobre electricidad.

ALAMBRADO

1. Los códigos eléctricos varían de un área a otra. Sin embargo, el alambrado, enchufe y protectores se deben seleccionar según las especificaciones de amperaje y voltaje indicados en la placa del motor y cumplir con las especificaciones mínimas.
2. Use fusibles de acción retardada tipo T o un cortacircuito.
3. Este producto está diseñado para circuitos nominales de 120 voltios y tiene un enchufe para conexión a tierra similar al de la Figura 5. Cerciérese de conectarlo a un tomacorrientes cuya

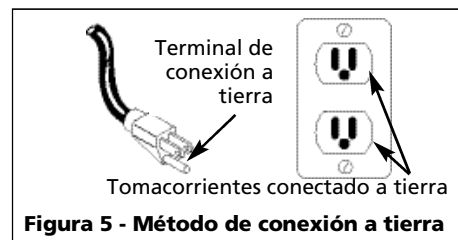


Figura 5 - Método de conexión a tierra

configuración sea similar a la del enchufe. Este producto se debe conectar a tierra. En caso de que ocurra un cortocircuito, ésto evitaría el riesgo de choque eléctrico al ofrecerle un cable de desvío a la corriente eléctrica. Este producto tiene un cordón con un alambre y terminal de conexión a tierra. Debe conectarlo a un tomacorrientes que esté instalado adecuadamente según los códigos y ordenanzas locales.

PRECAUCIÓN Si no conecta los cables adecuadamente podría haber cortocircuitos, incendios, sobrecalentamiento, etc.

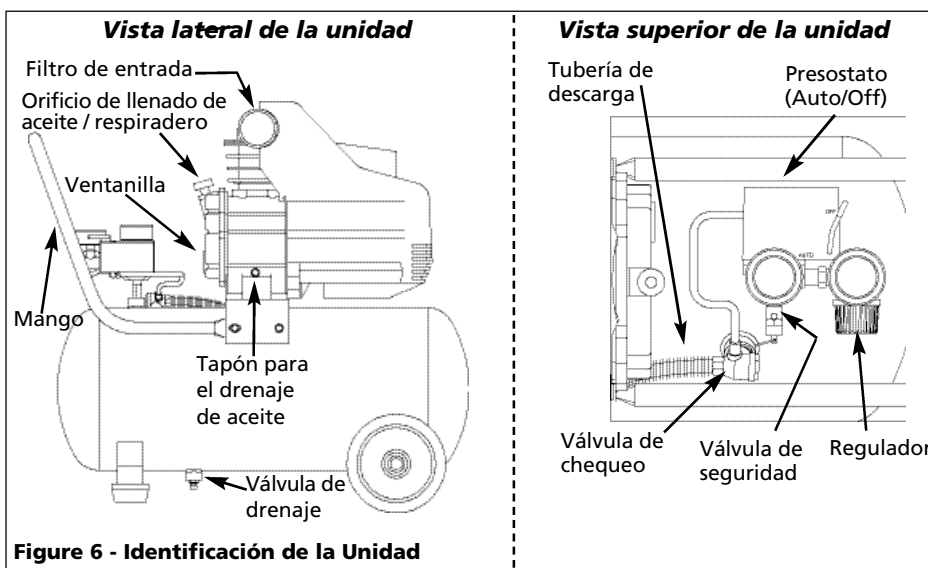


Figure 6 - Identificación de la Unidad

Instalación (Continuación)

Cordones de extensión para los modelos de 120V/15 Amp
Longitud del cordón (m)
7,62 15,24 30,48

Calibre del cordón 14 12 10

Funcionamiento

- **Presostato** - Automático (Figura 7) - En la posición **AUTO** el compresor se apaga automáticamente cuando la presión del tanque alcanza el nivel máximo fijado en la fábrica. En la posición **OFF**, el compresor no funcionará. El presostato debe colocarse en **OFF** para conectar o desconectar el cordón eléctrico del tomacorrientes o para cambiar la herramienta neumática.

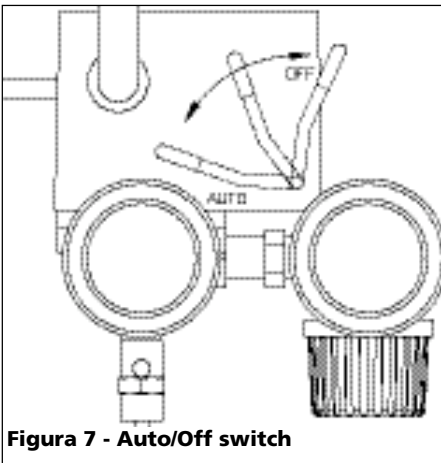


Figura 7 - Auto/Off switch

- **Regulador** - El regulador controla la cantidad de presión de aire expulsada por la manguera.
- **Válvula de seguridad ASME** - Esta válvula automáticamente libera el aire si la presión del tanque excede el valor máximo fijado de fábrica.
- **Tubería de descarga** - Esta tubería transporta el aire comprimido del cabezal a la válvula de chequeo. Esta tubería se calienta excesivamente durante el uso. Para evitar quemaduras graves, nunca la toque.
- **Válvula de chequeo** - Esta válvula solo permite que el aire entre al tanque y evita que éste se regrese al cabezal.
- **Mango** - Diseñado para mover el compresor.

ADVERTENCIA Nunca use el mango de las unidades con ruedas para levantar completamente la unidad.

HUMEDAD EN EL AIRE COMPRIMIDO

La humedad que se acumula en el aire comprimido se convierte en gotas a medida que sale del cabezal del compresor de aire. Cuando el nivel de humedad es muy alto o cuando el compresor ha estado en uso continuo por mucho tiempo, ésta se acumulará en el tanque. Al usar una pistola pulverizadora de pintura o una rociadora de arena, la humedad saldrá a través de la manguera mezclada con el material que esté rociando.

IMPORTANTE: Esta condensación ocasionará manchas en la superficie pintada, especialmente cuando esté pulverizando pinturas que no sean a base de agua. Al rociar arena ésta ocasionará que la arena se aglutine y obstruya la pistola, reduciendo su eficacia. Para eliminar este problema, instale un filtro en la línea de aire (MP3105), lo más cerca posible de la pistola.

- **Llave de drenaje** - Esta válvula está ubicada debajo del tanque. Úsela para drenar la humedad del tanque diaria-mente, para evitar que el tanque se oxide.

Reduzca la presión del tanque a menos de 0,69 bar, después drene la humedad del tanque diariamente para evitar que se oxide. Para drenar los tanques abra la llave ubicada debajo del tanque.

ANTES DE ARRANCARLO POR PRIMERA VEZ

PROCEDIMIENTO DE ABLANDE

Complete este procedimiento antes de usar el compresor por primera vez. Una vez completado, no es necesario repetirlo.

1. Gire la perilla del regulador totalmente hacia la derecha para abrir el flujo de aire.
2. Coloque el interruptor de encendido/apagado en la posición OFF (apagado).
3. Enchufe el cable de corriente.
4. Gire el interruptor de encendido/apagado a la posición AUTO (encendido) y haga funcionar el compresor durante 30 minutos.
5. Coloque el interruptor de encendido/apagado en la posición OFF (apagado).
6. Desenchufe el cordón de corriente. Ahora el compresor está listo para ser usado.

ANTES DE CADA PROCEDIMIENTO DE ARRANQUE

FUNCIONAMIENTO

1. Gire la perilla del regulador totalmente hacia la izquierda.
2. Conecte la manguera de aire a la salida del regulador.
3. Coloque el interruptor de encendido/apagado en la posición OFF (apagado).
4. Enchufe el cable de corriente.

5. Gire el interruptor de encendido/apagado a la posición AUTO (encendido) y deje que el compresor funcione hasta que alcance la presión de apagado automático.
6. Conecte la boquilla para inflar neumáticos u otra herramienta al extremo de la manguera.
7. Gire la perilla del regulador hacia la derecha hasta la presión deseada para la herramienta que esté usando.

Ciclo de encendido/apagado del compresor

En la posición AUTO (encendido), el compresor bombea aire dentro del tanque. Cuando se alcanza la presión de apagado ("corte" preestablecido), el compresor se apaga automáticamente.

Si se deja el compresor en la posición AUTO (encendido) y el aire sale del tanque al usar una boquilla para inflar neumáticos, una herramienta, etc., el compresor se reiniciará automáticamente a su presión de "corte" preestablecida. Cuando se use una herramienta en forma continua, el compresor cumplirá un ciclo de encendido y apagado en forma automática.

En la posición OFF (apagado), el interruptor de presión no puede funcionar y el compresor no se pondrá en funcionamiento. Asegúrese de que el interruptor esté en la posición OFF cuando conecte o desconecte el cable de corriente del tomacorriente.

VALVULA DE SEGURIDAD ASME

ADVERTENCIA Nunca desconecte o trate de ajustar la válvula de seguridad ASME.

Revise la válvula de seguridad siguiendo los siguientes pasos:

1. Enchufe el compresor y hágalo funcionar hasta que se alcance la presión de corte (consulte Funcionamiento).

Funcionamiento (Continuación)

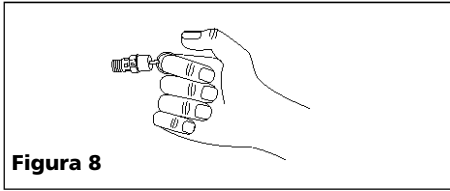


Figura 8

- Usando gafas de protección, tire del anillo de la válvula de seguridad (vea las Figuras 6 y 8) para liberar la presión del tanque del compresor. Use su otra mano para desviar el aire que se mueve a gran velocidad y evitar que le dé en el rostro.
- Esta válvula de seguridad debería cerrarse automáticamente a 2,76 bar - 3,45 bar. Si la válvula de seguridad no deja salir aire cuando tira del anillo o si no se cierra automáticamente, DEBE ser reemplazada.

⚠️ ADVERTENCIA

Se debe reemplazar la válvula de seguridad si no se puede accionar o si tiene una fuga de aire después de liberar el anillo.

MANÓMETROS

El manómetro conectado al regulador indica la presión de aire que pasa por la manguera (y por cualquier herramienta conectada al extremo de la manguera). El manómetro conectado al interruptor de presión indica la presión de aire en el tanque.

Mantenimiento

⚠️ ADVERTENCIA

Desconecte el cordón eléctrico del tomacorrientes y libere toda la presión del sistema antes de tratar de instalar, darle servicio, cambiar de lugar o darle cualquier tipo de mantenimiento.



Este compresor se debe chequear con frecuencia para ver si tiene algún tipo de problemas y le debe dar el siguiente mantenimiento antes de cada uso.

- Apague el compresor y libere la presión del sistema. Para liberar la presión del sistema, tire del anillo de la válvula de seguridad ASME (vea las Figuras 6 y 8). Desvíe el aire cubriendo la válvula con una mano mientras tira del anillo con la otra mano.) Tire del anillo hasta vaciar el tanque.

⚠️ PRECAUCIÓN

Cuando se abra la válvula de seguridad con presión en el tanque, se liberará una gran cantidad de aire que se mueve a gran velocidad. Use gafas de seguridad Z87.1 aprobadas por ANSI.

- Drene la humedad del tanque abriendo la válvula de drenaje debajo del tanque (Figura 6). Incline el tanque para eliminar toda la humedad.
- Limpe el polvo y la suciedad del tanque, las líneas de aire y la cubierta de la bomba, mientras el compresor continúa apagado (OFF).

CAMBIOS DE ACEITE

- Encienda el compresor de modo que el aceite se caliente. Desenchufe la unidad.
- Coloque un recipiente debajo del extremo del cabezal.
- Desconecte la unidad del tomacorrientes (Figura 6). Quítele el tapón del orificio de lubricación y vierta el aceite dentro del recipiente. Vire un poco la unidad para drenar el aceite completamente.
- Colóquelo el tapón al orificio de drenaje, llene el cabezal de aceite hasta que el medidor le indique que está lleno (full). Use aceite sintético Chevron 5W-30, aceite Mobil 1 5W-30 ó aceite sintético para motores 10W-30 en este compresor. Si usa otros tipos de aceite podría tener problemas para encenderlo.
- Cambie el aceite cada 50 horas de uso.

MANTENIMIENTO DEL FILTRO DE ENTRADA DE AIRE

Remoción, inspección y cambio – (Figura 9)

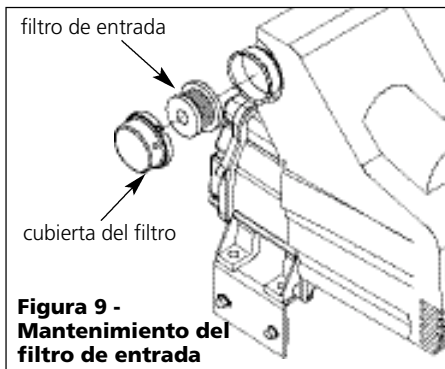


Figura 9 -
Mantenimiento del
filtro de entrada

El filtro de entrada deberá retirarse y verificarse en forma periódica. Un filtro de aire obstruido puede disminuir el rendimiento del compresor y provocar su recalentamiento.

- Gire la cubierta del filtro hacia la izquierda y retírela.
- Retire el filtro e inspecciónelo.
- Si el filtro está sucio u obstruido, cámbielo.
- Vuelva a instalar el filtro y la cubierta.

IMPORTANTE: Para prevenir que el exceso de pulverización atore el filtro, coloque la unidad tan lejos del área de pulverización como le permita la manguera.

SECCIÓN DEL PROTECTOR DE LA SOBRECARGA

⚠️ PRECAUCIÓN

Este compresor está equipado con un protector de sobrecarga térmico que apagará el motor si éste se sobrecarga.

Si el protector apaga el motor con mucha frecuencia puede ser por lo siguiente:

- Voltaje bajo.
- El filtro de aire está atascado.
- La ventilación es inadecuada.

⚠️ PRECAUCIÓN

Si se activa el protector de sobrecarga, se debe dejar enfriar el motor durante 30 minutos. Para reiniciar una vez que se haya enfriado el motor, gire el interruptor de presión a la posición de apagado (OFF) y luego a la posición de automático (AUTO).

ALMACENAMIENTO

- Drene la humedad del tanque.
- Cuando no esté en uso, guarde el compresor en un lugar fresco y seco.
- Desconecte la manguera y cuélguela con los extremos abiertos hacia abajo, para permitir que drene toda la humedad.

Compresor lubricado con aceite

Guía de diagnóstico de averías

Problema	Posible(s) Causa(s)	Acción a tomar
El compresor no funciona	<ol style="list-style-type: none">1. El interruptor está en la posición OFF (apagado)2. No hay corriente eléctrica en el tomacorriente de la pared3. El compresor alcanzó la presión de corte automático4. Motor sobrecargado5. Interruptor de presión defectuoso	<ol style="list-style-type: none">1. Asegúrese de que el compresor esté enchufado y que el interruptor esté en la posición ON (encendido).2. Revise el disyuntor o fusible en el panel de electricidad.3. Libere aire del tanque hasta que el compresor se reinicie automáticamente.4. Deje enfriar el compresor durante aproximadamente 30 minutos. Para reiniciar, gire el interruptor de presión a "OFF" y luego a "AUTO". Asegúrese de que el compresor esté funcionando en un área limpia y bien ventilada.5. Cambie el interruptor de presión.
El motor zumba pero no enciende o funciona lento	<ol style="list-style-type: none">1. Válvula de retención defectuosa2. Válvula de descarga defectuosa (en el interruptor de presión)3. Bajo voltaje4. Conexiones eléctricas sueltas5. Calibre del cable o largo del cordón de extensión incorrectos6. Condensador del motor defectuoso7. Bobinado del motor en corto circuito o abierto	<ol style="list-style-type: none">1. Repare o reemplace.2. Repare o reemplace.3. Verifique el voltaje en el tomacorriente de pared con un voltímetro.4. Verifique todas las conexiones eléctricas.5. Verifique el cuadro del cordón de extensión para ver el correcto uso del mismo.6. Reemplace el condensador7. Vuelva a colocar el ensamble del motor. <p>⚠ PELIGRO</p> <p>No desensamble la válvula de retención con aire en el tanque; purgue el tanque.</p>
El flujo sale/ el disyuntor falla a menudo	<ol style="list-style-type: none">1. Fusible de tamaño incorrecto, circuito sobrecargado2. Calibre del cable o largo del cordón de extensión incorrectos3. Válvula de retención defectuosa4. Válvula de descarga defectuosa (en el interruptor de presión)5. Condensador del motor defectuoso6. Motor en cortocircuito o atascado	<ol style="list-style-type: none">1. Verifique que el fusible sea el adecuado. Use un fusible de tiempo de retardo. Desconecte los demás accesorios eléctricos del circuito, o haga funcionar el compresor en su propio ramal del circuito.2. Verifique el cuadro del cordón de extensión para ver el correcto uso del mismo.3. Repare o reemplace.4. Repare o reemplace.5. Reemplace el condensador6. Vuelva a colocar el ensamble del motor. <p>⚠ PELIGRO</p> <p>No desensamble la válvula de retención con aire en el tanque; purgue el tanque.</p>
El protector térmico de sobrecarga detiene el funcionamiento reiteradamente	<ol style="list-style-type: none">1. Bajo voltaje2. Calibre del cable o largo del cordón de extensión incorrectos3. Filtro de entrada obstruido4. Falta de ventilación adecuada/ temperatura ambiente demasiado alta5. Válvula de retención defectuosa6. Válvula de descarga defectuosa (en el interruptor de presión)7. Fallaron las válvulas del compresor	<ol style="list-style-type: none">1. Verifique el voltaje en el tomacorriente de pared con un voltímetro.2. Verifique el cuadro del cordón de extensión para ver el correcto uso del mismo.3. Limpie o reemplace el filtro.4. Mueva el compresor a un área bien ventilada.5. Repare o reemplace.6. Repare o reemplace.7. Reemplace el ensamble de la válvula. <p>⚠ PELIGRO</p> <p>No desensamble la válvula de retención con aire en el tanque; purgue el tanque.</p>
Golpeteos, zumbidos, y/o vibración excesiva.	<ol style="list-style-type: none">1. Pernos de montaje sueltos2. El tanque no está nivelado3. El cilindro o pistón está desgastado/marcado	<ol style="list-style-type: none">1. Ajuste los pernos.2. Utilice una cuña/objeto fuerte para poner el tanque a nivel.3. Reemplace o repare según sea necesario.

Guía de diagnóstico de averías (Continuación)

Problema	Posible(s) Causa(s)	Acción a tomar
La presión del tanque disminuye cuando se apaga el compresor	<ol style="list-style-type: none"> 1. Válvula de drenaje floja 2. Fugas en la válvula de retención 3. Conexiones flojas en los accesorios, tubería, etc. 4. Fugas del tanque 	<ol style="list-style-type: none"> 1. Ajuste. 2. Retire la válvula de retención. Limpie o reemplace. 3. Revise todas las conexiones con una solución de agua y jabón. Si detecta una fuga, (1) ajuste o (2) retire las conexiones y aplique cinta para tuberías en las roscas, y vuelva a ensamblar. 4. Revise el tanque en busca de fugas con una solución de agua y jabón. Si detecta una fuga, se deberá reemplazar el tanque con una pieza de repuesto original. <p>⚠ PELIGRO No desensamble la válvula de retención con aire en el tanque; purgue el tanque.</p>
El compresor funciona en forma continua y la salida de aire es más baja que la presión de descarga normal/baja.	<ol style="list-style-type: none"> 1. Uso excesivo de aire, el compresor es demasiado pequeño 2. Filtro de entrada obstruido 3. Conexiones flojas en los accesorios, tubería, etc. 4. Fugas del tanque 5. Válvulas rotas 6. Aro del pistón desgastado 	<ol style="list-style-type: none"> 1. Disminuya el uso o compre una unidad que ofrezca una entrega de aire mayor (SCFM). 2. Limpie o reemplace. 3. Revise todas las conexiones con una solución de agua y jabón. Si detecta una fuga, (1) ajuste o (2) retire las conexiones y aplique cinta para tuberías en las roscas, y vuelva a ensamblar. 4. Revise el tanque en busca de fugas con una solución de agua y jabón. Si detecta una fuga, se deberá reemplazar el tanque con una pieza de repuesto original. 5. Reemplace las válvulas del compresor según sea necesario. 6. Reemplace el pistón y el cilindro.
Exceso de humedad en el aire de descarga	<ol style="list-style-type: none"> 1. Demasiada agua en el tanque 2. Humedad elevada 	<ol style="list-style-type: none"> 1. Drene el tanque. 2. Llévelo a un área menos húmeda, utilice un filtro de aire de línea. <p>NOTA: La condensación de agua no es una causa para el mal funcionamiento del compresor.</p>
El compresor funciona en forma continua y la válvula de seguridad se abre cuando aumenta la presión	<ol style="list-style-type: none"> 1. Presostato defectuoso 2. Válvula de seguridad defectuosa 	<ol style="list-style-type: none"> 1. Reemplace el interruptor. 2. Cambie la válvula de retención con un repuesto original.
Arranques y paradas excesivas (encendido automático)	<ol style="list-style-type: none"> 1. Demasiada condensación en el tanque 2. Conexiones flojas en los accesorios, tubería, etc. 3. Fugas del tanque 	<ol style="list-style-type: none"> 1. Drene con más frecuencia. 2. Revise todas las conexiones con una solución de agua y jabón. Si detecta una fuga, (1) ajuste o (2) retire las conexiones y aplique cinta para tuberías en las roscas, y vuelva a ensamblar. 3. Revise el tanque en busca de fugas con una solución de agua y jabón. Si detecta una fuga, se deberá reemplazar el tanque con una pieza de repuesto original. <p>⚠ PELIGRO No desensamble la válvula de retención con aire en el tanque; purgue el tanque.</p>
Fuga de aire en la válvula de descarga en el interruptor de presión	<ol style="list-style-type: none"> 1. Válvula de retención atascada en la posición de abierto 2. Válvula de descarga atascada en la posición de abierto 	<ol style="list-style-type: none"> 1. Repare o cambie la válvula de retención. 2. Repare o cambie la válvula de descarga. <p>⚠ PELIGRO No desensamble la válvula de retención con aire en el tanque; purgue el tanque</p>

Compresor lubricado con aceite

Garantía Limitada

1. DURACIÓN: A partir de la fecha de compra por el comprador original tal como se especifica a continuación: Productos Estándard (Standard Duty) - Un año; Productos Resistentes (Serious Duty) - Dos años; Productos Robustos (Extreme Duty) - Tres años; **Los compresores marca Maxus tienen una garantía de 5 (cinco) años.**
 2. QUIEN OTORGA ESTA GARANTÍA (EL GARANTE): Campbell Hausfeld / The Scott Fetzer Company 100 Production Drive, Harrison, Ohio 45030 Teléfono: (800) 543-6400
 3. QUIEN RECIBE ESTA GARANTÍA (EL COMPRADOR): El comprador original (que no sea un revendedor) del producto Campbell Hausfeld.
 4. PRODUCTOS CUBIERTOS POR ESTA GARANTÍA: Cualquier compresor de aire Campbell Hausfeld.
 5. COBERTURA DE LA GARANTÍA: Los defectos substanciales de material y fabricación que ocurran dentro del período de validez de la garantía.
 6. LO QUE NO ESTÁ CUBIERTO POR ESTA GARANTÍA:
 - A. Las garantías implícitas, incluyendo aquéllas de comerciabilidad e IDONEIDAD PARA FINES PARTICULARES, ESTÁN LIMITADAS A PARTIR DE LA FECHA DE COMPRA ORIGINAL DE ACUERDO CON LO ESPECIFICADO EN EL PÁRRAFO DE DURACIÓN. Si el compresor de aire es empleado para uso comercial (uso diario durante la operación normal de una empresa), industrial (funcionamiento diario en una fábrica), o para renta, la garantía será aplicable durante 90 (noventa) días a partir de la fecha de compra. La garantía de los compresores Robustos (Extreme Duty) no se limita a los 90 (noventa) días cuando éstos se usen para trabajos de contratistas. La garantía de los compresores marca Maxus no se limita a los 90 (noventa) días cuando éstos se usen para trabajos comerciales y de contratistas. La garantía de los compresores de cuatro cilindros de una y dos etapas no se limita a los 90 (noventa días) cuando éstos se usen para trabajos comerciales o industriales. En algunos estados no se permiten las limitaciones a la duración de una garantía implícita, por lo cual las limitaciones antedichas pueden no ser aplicables en su caso.
 - B. CUALQUIER PÉRDIDA DAÑO INCIDENTAL, INDIRECTO O CONSECUENTE QUE PUEDA RESULTAR DE UN DEFECTO, FALLA O MALFUNCIONAMIENTO DEL PRODUCTO CAMPBELL HAUSFELD. En algunos estados no se permite la exclusión o limitación de daños incidentales o consecuentes, por lo tanto, en tales casos esta limitación o exclusión no es aplicable
 - C. Cualquier falla que resulte de un accidente, abuso, negligencia o incumplimiento de las instrucciones de funcionamiento y uso indicadas en el (los) manual(es) que se adjunta(n) al compresor.
 - D. Los servicios requeridos antes de la entrega tales como: ensamblaje, aceite o lubricantes y ajustes.
 - E. Artículos o servicios normalmente requeridos para el mantenimiento del producto, tales como: lubricantes, filtros, empaques, etc.
 - F. Los motores de gasolina están específicamente excluidos de la cobertura de esta garantía limitada. El comprador debe seguir las cláusulas de la garantía otorgada por el fabricante del motor de gasolina que se suministra con el producto.
 - G. Artículos adicionales no cubiertos bajo esta garantía:
 1. Todos los Compresores
 - a. Cualquier componente dañado durante el envío o cualquier daño ocasionado por haber instalado u operado la unidad bajo condiciones contrarias a lo indicado en las instrucciones para instalar u operar la unidad o daños ocasionados por el contacto con herramientas o los alrededores.
 - b. Daños del cabezal o las válvulas ocasionados por la lluvia, humedad excesiva, agentes corrosivos u otros contaminantes.
 - c. Daños de apariencia que no afecten el funcionamiento del compresor.
 - d. Tanques oxidados, incluyendo pero no limitado al óxido debido al drenaje inadecuado u agentes corrosivos en el ambiente.
 - e. Motores eléctricos, válvulas de chequeo y presostatos después del primer año a partir de la fecha de compra.
 - f. Llaves de drenaje
 - g. Daños debidos al alambrado incorrecto o conexión a circuitos con voltaje inadecuados para la unidad.
 - h. Otros artículos no enumerados pero considerados de desgaste general.
 - i. Presostatos, controles de flujo de aire y válvulas de seguridad cuyos parametros fijados de fábrica se modifiquen.
 2. Compresores lubricados
 - a. Daños del cabezal o las válvulas debidos al uso de aceites no especificados.
 - b. Daños del cabezal o las válvulas debidos a cualquier contaminación del aceite o por no haber seguido las instrucciones de lubricación.
 3. Compresores con bandas/ de accionamiento directo/ motores de gasolina
 - a. Bandas
 - b. Daños de los anillos debido al mantenimiento inadecuado del filtro.
 - c. Ajustes manuales de los instrumentos de carga/descarga y válvula de estrangulación.
 7. RESPONSABILIDADES DEL GARANTE BAJO ESTA GARANTÍA: Reparar o reemplazar, como lo decida el Garante, el compresor o componentes que estén defectuosos, se hayan dañado o hayan dejado de funcionar adecuadamente, durante el período de validez de la garantía
 8. RESPONSABILIDADES DEL COMPRADOR BAJO ESTA GARANTÍA:
 - A. Suministrar prueba fechada de compra y la historia de mantenimiento del producto.
 - B. Entregar o enviar los compresores de aire portátiles o componentes al Centro de Servicio autorizado Campbell Hausfeld más cercano. Los gastos de flete, de haberlos, deben ser pagados por el comprador.
 - C. Tener cuidado al utilizar el producto, tal como se indica(n) en el (los) manual(es) del propietario.
 9. CUÁNDO EFECTUARÁ EL GARANTE LA REPARACIÓN O REEMPLAZO CUBIERTO BAJO ESTA GARANTÍA: La reparación o reemplazo dependerá del flujo normal de trabajo del centro de servicio y de la disponibilidad de repuestos.
- Esta garantía limitada es válida sólo en los EE.UU., Canadá y México y otorga derechos legales específicos. Usted también puede tener otros derechos que varían de un Estado a otro. o de un país a otro.
-

Free Manuals Download Website

<http://myh66.com>

<http://usermanuals.us>

<http://www.somanuals.com>

<http://www.4manuals.cc>

<http://www.manual-lib.com>

<http://www.404manual.com>

<http://www.luxmanual.com>

<http://aubethermostatmanual.com>

Golf course search by state

<http://golfingnear.com>

Email search by domain

<http://emailbydomain.com>

Auto manuals search

<http://auto.somanuals.com>

TV manuals search

<http://tv.somanuals.com>