



MAJESTIC
FIREPLACES

Vent-Free Fireboxes

Models: UVSTR36, UVCVR36

INSTALLER/CONSUMER SAFETY INFORMATION

DO NOT INSTALL THE APPLIANCE IN THIS FIREBOX, UNLESS THIS FIREBOX MEETS THE MINIMUM DIMENSIONS REQUIRED FOR THE INSTALLATION.

WARNING: If the information in this manual is not followed exactly, a fire or explosion may result causing property damage, personal injury or loss of life.

FOR USE ONLY WITH A LISTED GAS-FIRED, UNVENTED, DECORATIVE ROOM HEATER NOT TO EXCEED 40,000 BTU/H

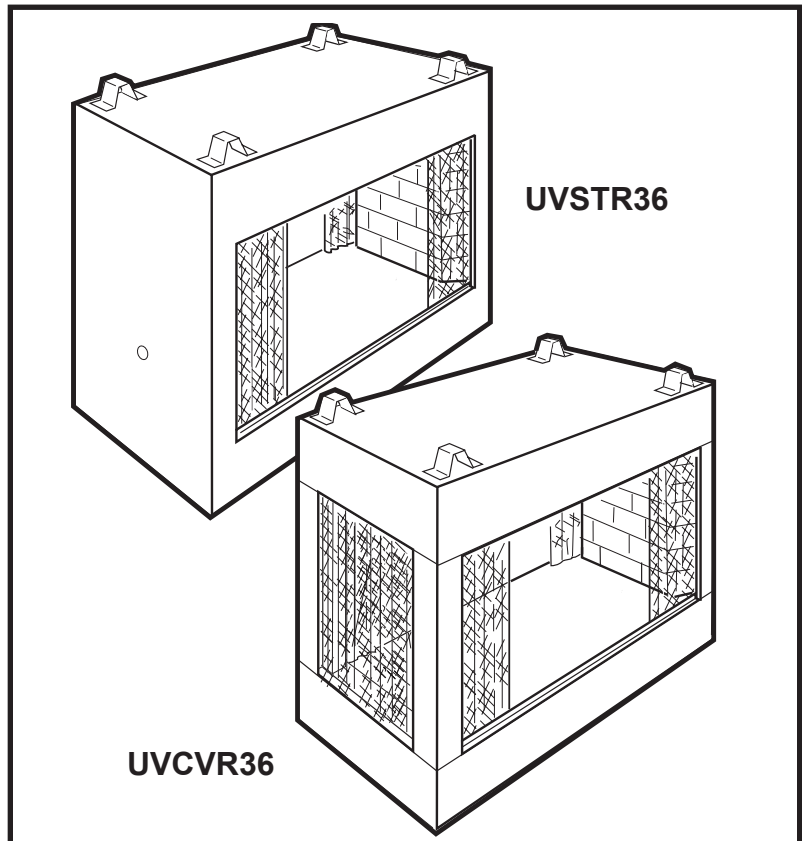
DO NOT BUILD A WOOD FIRE.

DUE TO HIGH TEMPERATURES, THE APPLIANCE SHOULD BE LOCATED OUT OF TRAFFIC AND AWAY FROM FURNITURE AND DRAPERIES.

Do not attempt to modify or alter the construction of the appliance or its components. Any modification or alteration of construction may void the warranty of these units.

Do not store or use gasoline or other flammable vapors and liquids in the vicinity of this or any other appliance. Improper maintenance or service can cause injury or property damage. Refer to this manual. For additional information, consult a qualified installer, service agency, or the gas supplier.

Carefully review the instructions supplied with the decorative type unvented room heater for the minimum fireplace size requirement.



Homeowner's Installation and Operating Manual

These Ventless Fireboxes are design certified to ANSI 21.91.2001 and are for use with any ANSI Z21.11.2 Unvented Room Heaters.



INSTALLER: Leave this manual with the appliance.
CONSUMER: Retain this manual for future reference.

7412960 10/06 Rev. 4

Description

The UVSTR36 and UVCVR36 models are ventless fireboxes designed for installation with any ventless gas log set for a see-through application and certified to ANSI Z21.11.2 standards. THESE UNITS ARE DESIGNED FOR A MAXIMUM OF 40,000 BTU. Optional hoods are available. Refer to page 13.

For Your Safety

- Do not place clothing or other flammable material on or near the appliance.
- Children and adults should be alerted to the hazards of high surface temperature and should stay away to avoid burns or clothing ignition.
- Young children should be carefully supervised when they are in the same room as the appliance.

Table of Contents

| | |
|--|----|
| Description and Available Models | 2 |
| General Information | 3 |
| Specifications and Framing | 4 |
| Clearances | 5 |
| Installation | 6 |
| Maintenance | 10 |
| Replacement Parts | 11 |
| Accessories | 13 |
| Warranty | 15 |

General Information

DO NOT BURN WOOD OR OTHER MATERIALS IN THESE FIREBOXES.

General Information

The installation must conform with local building codes or, in the absence of local codes, with the National Fuel Gas Code, ANSI Z223.1/NFPA 54 (latest edition) and with the National Electrical Code, ANSI/NFPA70 (latest edition).

In the Commonwealth of Massachusetts, all gas fitting and installation of this heater shall only be done by a licensed gas fitter or licensed plumber.

NOTE: Installation and repair should be done by a qualified service person. The firebox should be inspected before use and at least annually by a qualified service person. More frequent cleaning may be required due to excessive lint from carpeting, bedding material, etc. It is imperative that control compartment, burners, and circulating air passageways of the firebox be kept clean.

Any safety screen or guard removed for servicing the firebox must be replaced prior to operating the firebox.

Provide adequate combustion and ventilation air.

The flow of combustion and ventilation air MUST NOT be obstructed.

Provide adequate clearance around air openings into the combustion chamber and adequate accessibility clearance for servicing and proper operation. NEVER obstruct the opening of the firebox.

These models may NOT be installed in a bedroom or bathroom.

Glass doors are NOT available for these fireboxes.

WARNING: Check with your electronics manufacturer before installing a television or other electronic device above this fireplace.

Installation Precautions

This Majestic Fireplaces firebox and its components have been tested and will operate safely when installed in accordance with this installation manual. Read all instructions before starting installation, then follow these instructions carefully during installation to maximize firebox benefit and safety. Report to your dealer any parts damaged in shipment.

This firebox is a highly engineered system. Unless you use CFM Corporation components which have been designed for the system, you may create a possible fire hazard.

CFM Corporation warranty will be voided by, and CFM Corporation disclaims any responsibility for, the following actions:

- **Installation of any damaged firebox.**
- **Modification of the firebox or any of the component parts thereof.**
- **Installation other than as instructed by CFM Corporation.**
- **Installation and/or use of any component part or accessory not manufactured or approved by CFM Corporation in combination or assembly with a Majestic Fireplaces firebox, notwithstanding any independent testing laboratory or other third party approval of such component part or accessory.**

Any such action may create a possible fire hazard. Consult your local building codes.

Proposition 65 Warning: Fuels used in gas, wood-burning or oil fired appliances, and the products of combustion of such fuels, contain chemicals known to the State of California to cause cancer, birth defects and other reproductive harm.

California Health & Safety Code Sec. 25249.6

Fireplace Screen

The fireplace screen must be in place when the firebox is operating, and unless other provisions for combustion air are made, the screen must have openings for the introduction for combustion air.



WARNING: Be sure to read complete Vent Free Gas Log Heater and Vent-Free Fireplace Installation and Operating Instructions before installing this product.

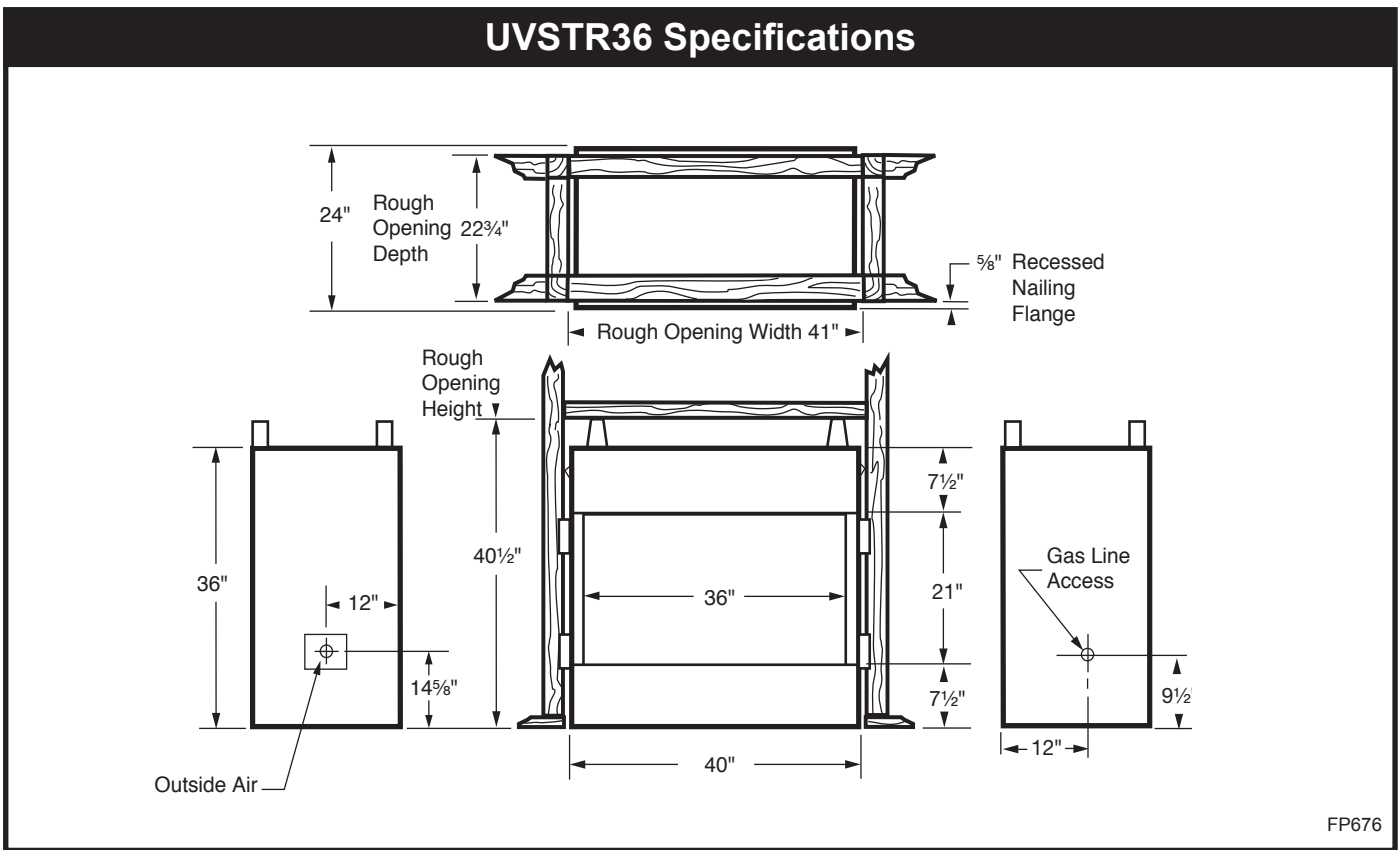


Fig. 1 UVSTR36 Series specification and framing dimensions.

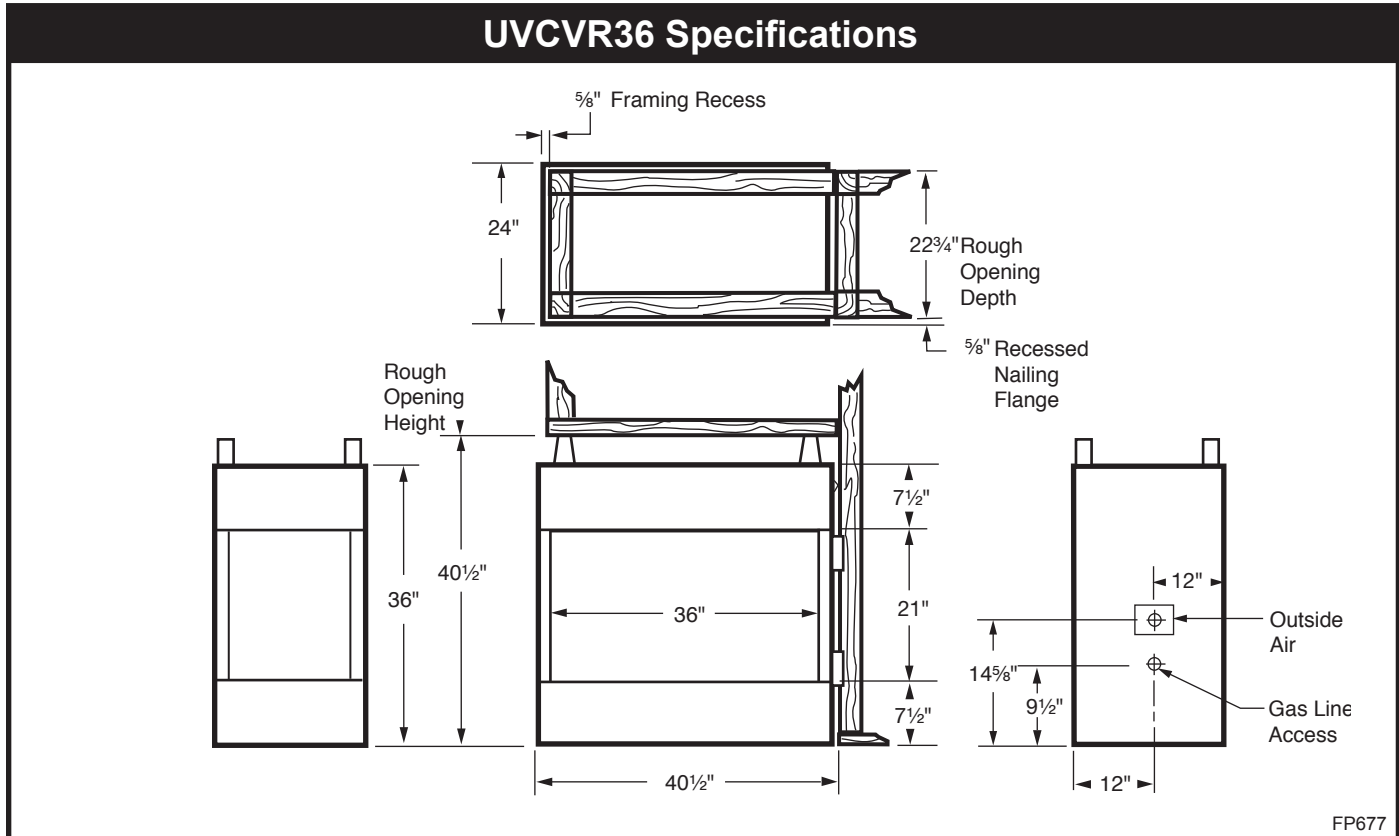
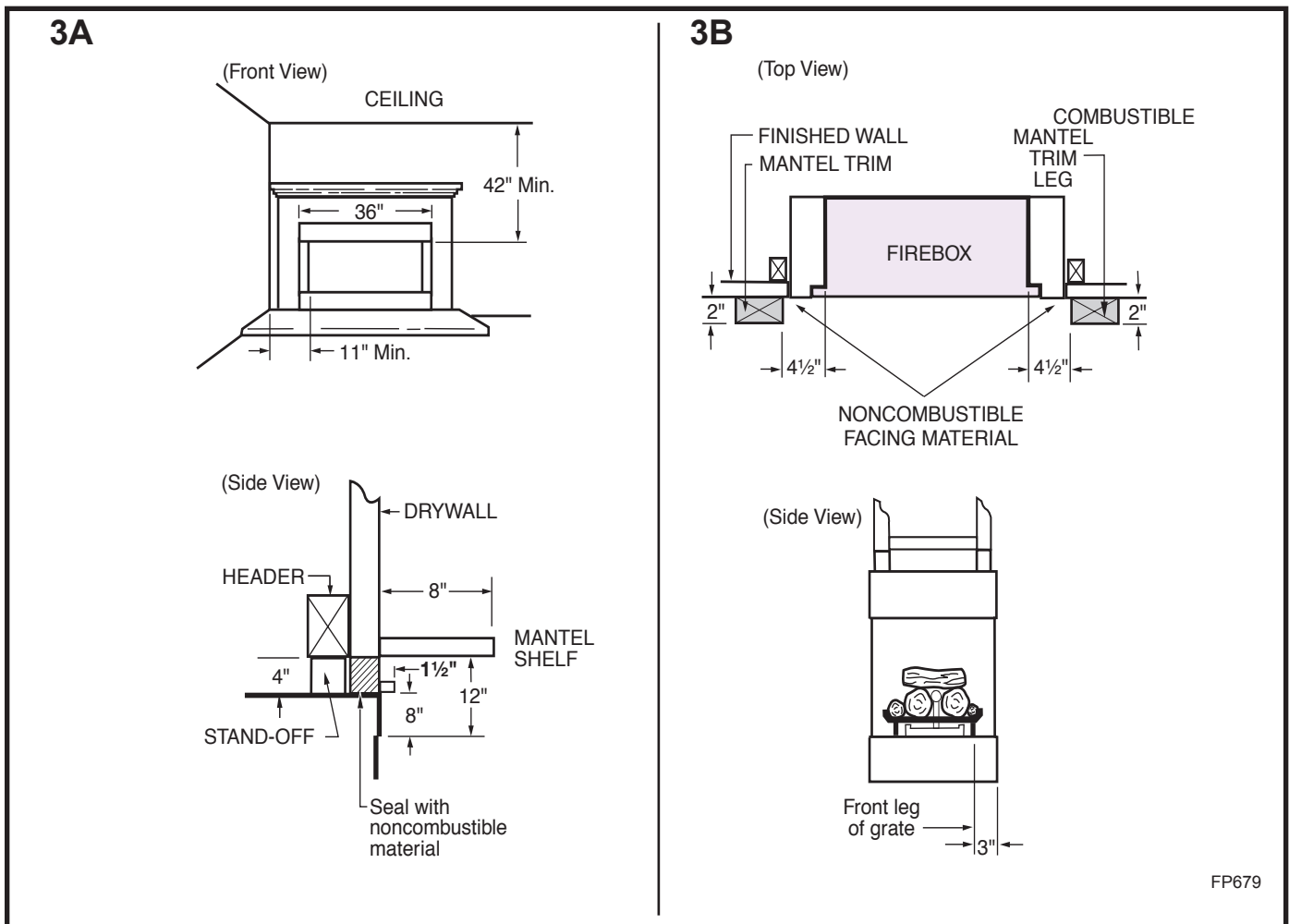


Fig. 2 UVCVR36 Series specification and framing dimensions.



FP679

Fig. 3 Clearances to combustibles.

Minimum Clearances

Sidewall Clearances:

The clearance from the side of the firebox to any combustible wall should not be less than 11" . (Fig. 3A)

Ceiling Clearances:

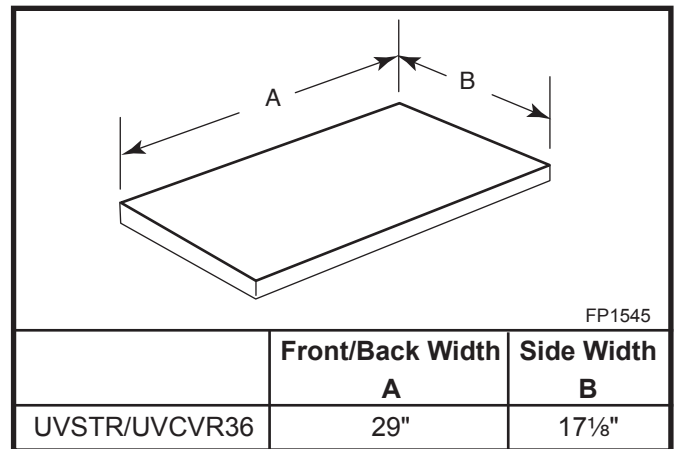
The ceiling height should not be less than 42" from the top of the fireplace opening. (Fig. 3A)

Mantel Clearances:

If a combustible mantel is installed, it must meet the clearance requirements detailed in Figure 3A. A mantel breastplate can be installed at a minimum height of 8" with a maximum projection of 1 1/2".

Grate Clearance:

The minimum clearance between the front legs of the grate and front edge of the fireplace is 3" . (Fig. 3B)



FP1545

| | Front/Back Width A | Side Width B |
|---------------|-----------------------|-----------------|
| UVSTR/UVCVR36 | 29" | 17 1/8" |

Fig. 4 Hearth dimensions.

Installation

Planning

In planning the installation for the firebox it is necessary to determine where the unit is to be installed and whether optional accessories are desired. Gas supply piping should also be planned.

These models may NOT be installed in a bedroom or bathroom.

Glass doors are NOT available for these fireboxes.

The firebox can be mounted on any of the following surfaces:

- A flat hard combustible surface.
- A raised platform of combustible or noncombustible material.
- A concrete block or other solid object placed beneath each of the four corners of the appliance.

If the firebox is installed directly on carpeting, tile or other combustible material other than wood flooring, it should be installed on a metal or wood panel extending the full width and depth of the unit.

At this point, you should have decided what components to include in your installation, and where the firebox is to be located. If this has not been done, stop and consult your dealer for planning assistance.

Framing

Firebox framing can be built before or after the firebox is set in place. Framing should be positioned to accommodate wall covering and firebox facing material. The firebox framing should be constructed of 2 x 4 or heavier lumber. The framing headers may rest on the top of the firebox standoffs. Refer to Figs. 1 and 2 for firebox framing dimensions.

Anchor Firebox in Position

To prevent shifting of the firebox and to maintain sealing (described later), anchor the firebox. Two methods are possible for these fireboxes.

One method is to use the eight fastening tabs (four with cove model) provided with the firebox. (Fig. 5) The firebox may be secured to the vertical framing members with these tabs and nails or other suitable fasteners.

The second method uses the standoffs at the front of the firebox. A nail may be installed through the standoffs and into the header to stabilize the top of the firebox. (Fig. 5)

Installing Outside Air Kit

An outside air kit may be installed in all UVSTR/CVR Series fireboxes. If desired, or if local codes mandate the use of an air kit, then an AKU2 is required to complete the installation (from air kit to out-of-doors). If the outside air kit is to be used, the AKU2 **MUST** be installed **BEFORE** the fireplace is enclosed. Refer to the AKU2 instructions for field installation.

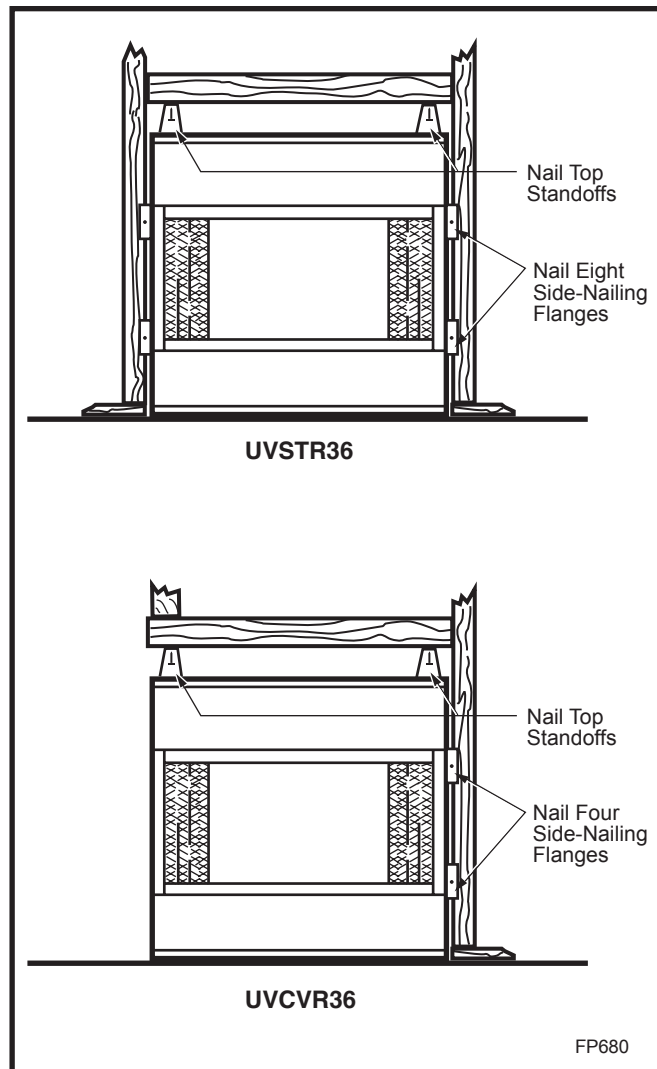


Fig. 5 Adjustable drywall strip (nailing flange).

Connect the Gas Line

Gas access holes are provided on both sides of the firebox.

Check gas valve type. Use only the gas type indicated on the gas log rating plate. If the gas listed on the plate is not your type of gas supply, **DO NOT INSTALL**. Contact your Dealer for the proper model.

Always use an external regulator for all LP fireboxes to reduce the supply tank pressure to a maximum 14" w.c. This is in addition to the regulator fitted to the vent-free heater.



WARNING: Connection directly to an un-regulated LP tank can cause an explosion.

For final connection of the gas log heater to the gas line, see Section 5 and Figure 6.

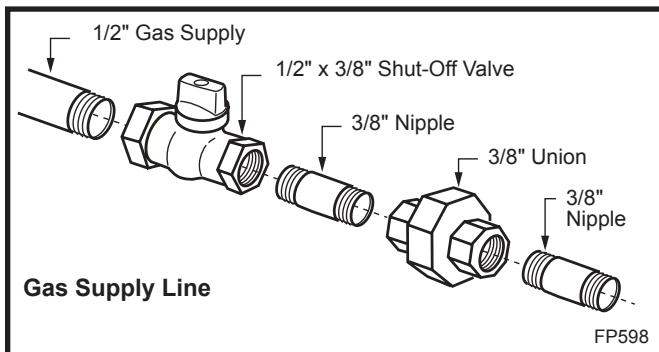


Fig. 6 Typical gas supply installation.

Install Gas Log Heater

1. Connect the shutoff valve, union and any required approved fittings (See NOTE below) between the valve and the gas line.

Access to the gas line on the UV Series firebox is made through the left or right side of the firebox. Locate the appropriate gas line in the outer casing of the firebox and remove the insulation from the gas line tube.

From the inside of the firebox, locate the knockout on the firebrick - be sure you are on the appropriate or gas line side of the firebox. Using a flat-bladed screwdriver or small chisel and hammer, carefully tap around the knockout until it loosens and falls out.

2. Install the Vent-Free Gas Log Heater exactly as described in the instructions for the heater. If for any reason, you do not have these instructions, contact your dealer or manufacturer for another copy.

NOTE: The gas line connection to the log set can be made with properly tinned 3/8" copper tubing, 1/2" rigid pipe, or an approved flex connector. Because some municipalities have additional local codes, it is always best to consult your local authority.

U.S. INSTALLATIONS – Follow local codes and the National Fuel Gas Code ANSI Z223.1/NFPA 54.



Always check for gas leaks with a mild soap and water solution. Do not use an open flame for leak testing.

When using copper or flex connector use only approved fittings. **Always provide a union** so that gas line can be easily disconnected for burner or fan servicing. See gas specification for pressure details and ratings.

Cold Climate Insulation

In cold climates, insulation of the enclosure around the firebox is suggested to avoid problems with cold air.

Insulating the enclosure around the firebox is recommended, but not a requirement

The following steps are suggested to minimize cold air problems.

Insulate the base of the firebox with a noncombustible insulation. This step is particularly important for outside wall installations over concrete slab floor construction. If a platform is used to raise the firebox, the insulation should be placed onto the platform before the firebox is set. (Fig. 7)

Refer to Page 5, Figure 3 for minimum clearances to combustibles.

Inspect joints of the firebox as well as the points of sealing between the firebox and the finishing materials.

When a firebox is installed in a chase or on an outside wall, the enclosure should be insulated like any other outside wall of the home. Plywood or hardboard may be placed on the standoffs and insulation placed on this surface. (Fig. 8)

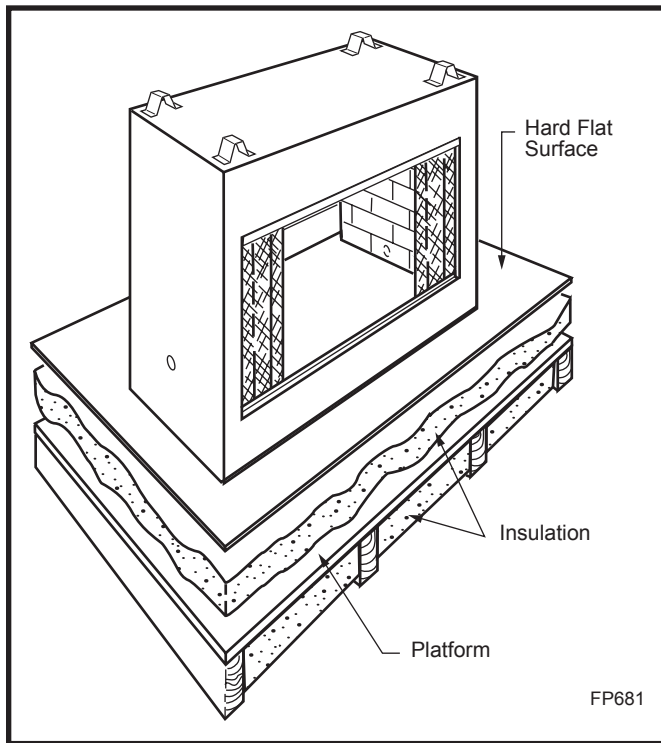


Fig. 7 Insulation between firebox and platform.

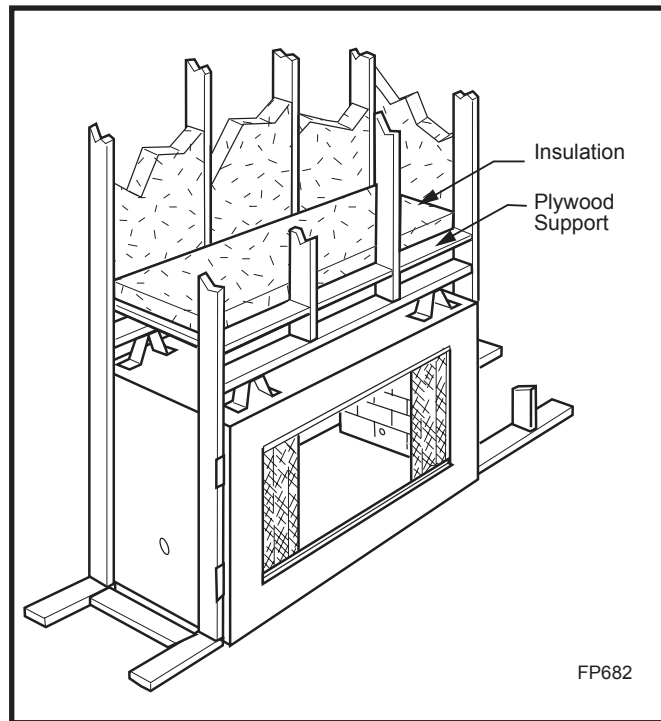


Fig. 8 Additional insulating methods. UVSTR36 shown.

Finishing

See Page 5, Figure 3 for allowable finishing materials and clearances to combustibles.

All joints (top, bottom and sides), where the wall or decorative facing material meets the firebox surround must be completely sealed with a noncombustible material. Refer to Figures 9-12.

Hearth Extension

A hearth extension may be used but is not required for these fireboxes.

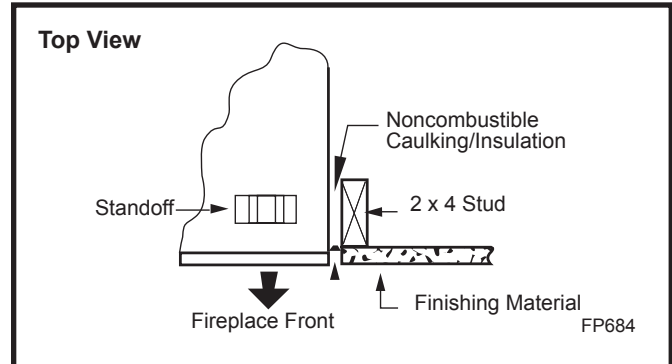


Fig. 9 Seal spaces between firebox and finishing materials.

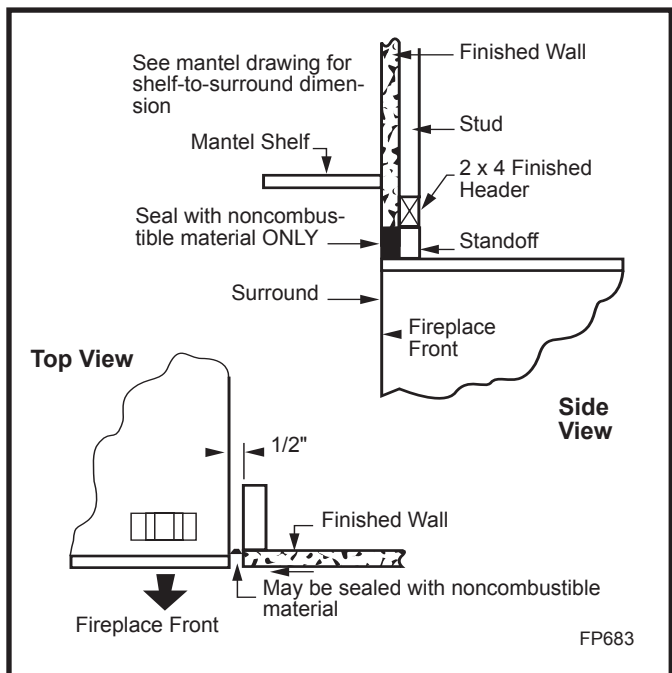


Fig. 10 Surround flush with finished wall.

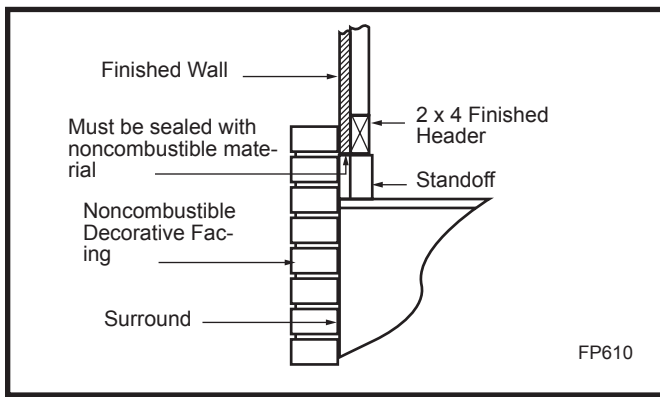


Fig. 11 Appliance surround flush with finish wall.

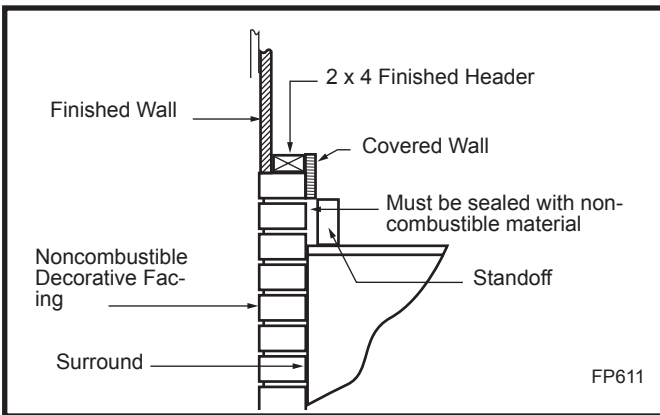


Fig. 12 Facing on firebox flush with finished wall.

Install Hood

A 2" or 4" Hood can be purchased for the UVSTR36 and the UVCVR36. A Hood must be installed if the mantel falls within the dimensions and location shown in Figure 3. Failure to do so may create a fire hazard.

WARNING: When the black surround is covered by a brick surface, (Fig. 13), use an extended hood. The hood should extend out to the brick surface (Refer to Figs. 13 and 14) and be attached to the firebox. The maximum brick to noncombustible surface that may extend out past the black surround surface is 4¼".

The size of the Hood required depends on BTU ratings and clearances. See the Accessories section on Page 13 for details.

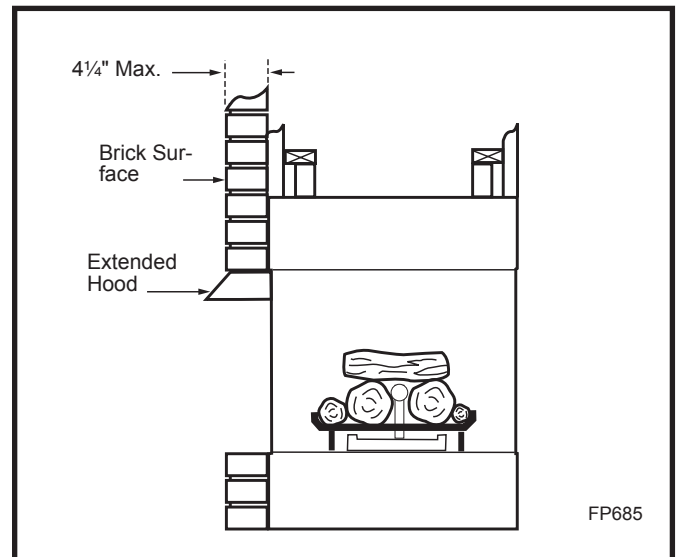


Fig. 13 Side view of firebox with extended hood.

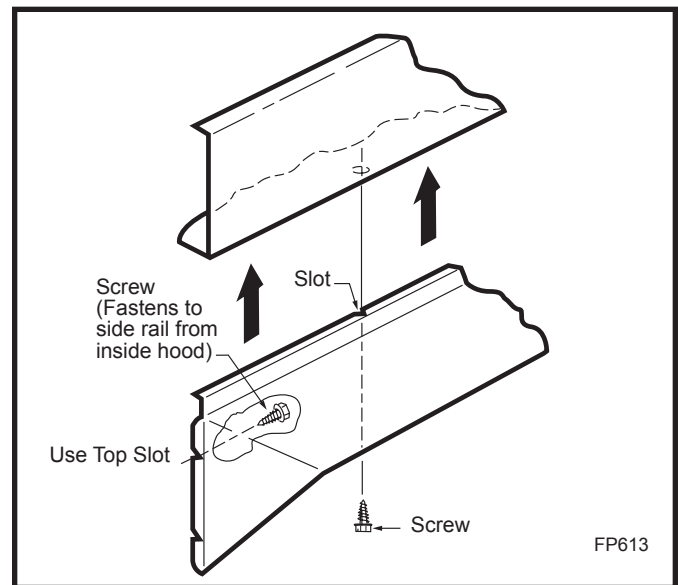


Fig. 14 Hood location.

Maintenance

Keep the control compartment, logs and burner area surrounding the logs clean by carefully vacuuming or brushing at least twice a year or as necessary.

THE LOGS CAN GET VERY HOT – HANDLE ONLY WHEN COOL.

Always turn off the gas to the pilot before cleaning. For relighting, refer to the lighting instructions located on the Rating Plate of the gas log set.

Never obstruct the flow of combustion and ventilation air. Keep the front of the appliance clear of all obstacles and materials.

Leave at least a 36" clearance from the front of the firebox to any room furnishings.

Contact CFM Corporation for questions concerning prices and policies covering replacement parts. Parts may be ordered through your Majestic Fireplaces distributor or dealer.

You will need the following information when ordering replacement parts:

1. The appliance model number.
2. The serial number.
3. A description of the part.

Should you need additional information beyond what your dealer can furnish, contact:

CFM Corporation
410 Admiral Meadowvale Blvd.
Mississauga, Ontario
Canada L5N 8A3

Firebox

Model and serial numbers are listed on the rating plate (located on right side of combustion chamber).

Record your model and serial numbers here for future reference:

Model # _____

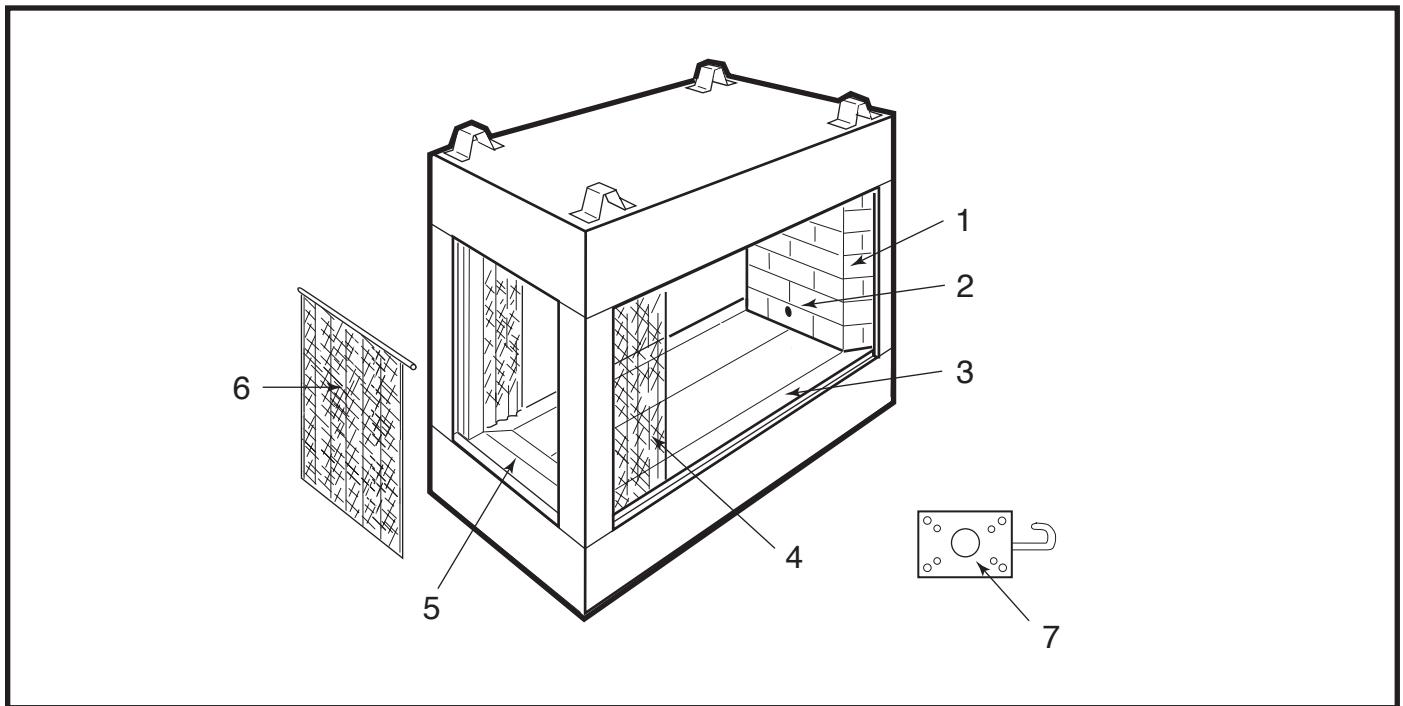
Serial # _____

Vent-free Log Heater

Record your model and serial numbers here for future reference:

Model # _____

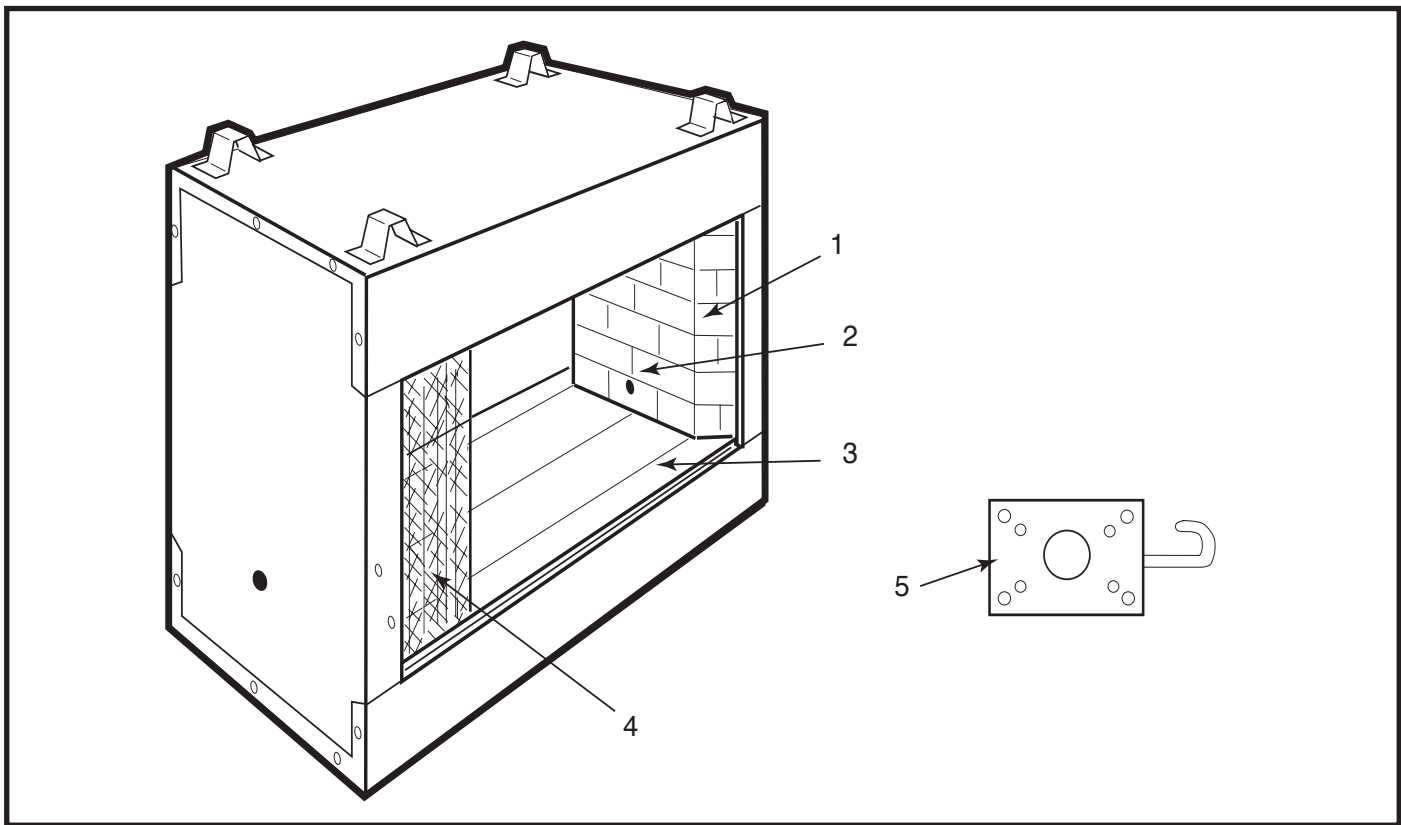
Serial # _____



CFM Corporation reserves the right to make changes in design, materials, specifications, prices and discontinue colors and products at any time, without notice.

UVCVR Vent Free Firebox

| Ref. | Description | UVCVR |
|------|-----------------------------------|----------|
| 1. | Brick - Filler | 3079148 |
| 2. | Brick - Side | 3079147 |
| 3. | Brick - Hearth | 3087102 |
| 4. | Screen Assembly (Screens and Rod) | 3036118 |
| 5. | Brick - Hearth End | 3090102 |
| 6. | Screen Assembly - End | 3080137 |
| 7. | O.S.A. Assy. | 20003212 |



CFM Corporation reserves the right to make changes in design, materials, specifications, prices and discontinue colors and products at any time, without notice.

UVSTR Vent Free Firebox

| Ref. | Description | UVSTR |
|------|-----------------------------------|----------|
| 1. | Brick - Filler | 3079148 |
| 2. | Brick - Side | 3079147 |
| 3. | Brick - Hearth | 3087102 |
| 4. | Screen Assembly (Screens and Rod) | 3049121 |
| 5. | O.S.A. Assy | 20003212 |

Accessories

The following accessories for these appliances are available from your local Majestic Fireplaces distributor. **Each accessory comes with a separate installation instruction for mounting to the particular firebox.** Be sure to read each instruction thoroughly before installing.

See your Majestic Fireplaces distributor or dealer for other finishing options such as marble and mantels — available in a wide selection of styles.

| Accessory | Description | Model Number | |
|-------------|---|--------------|-----------------------|
| | | Black Finish | Polished Brass Finish |
| Outside Air | Completes connection from air kit to out-of-doors Termination | AKU2 | |
| 2" Hood | For heater up to 40,000 BTU's with a mantel 8" wide by 28" high | UV36BH2 | UV36PH2 |
| 4" Hood | For heater up to 40,000 BTU's with a mantel 8" wide by 12" high | UV36BH4 | UV36PH4 |
| 4" Hood | Extended Hood for brick facings and heater up to 40,000 BTUs and mantel 8" wide by 12" high | UV36BH4E | UV36PH4E |
| 4" Hood | Glass Hood for heater up to 40,000 BTUs and mantel 8" wide by 12" high | UV36GH4 | -- |

CAUTION: This firebox is a highly engineered system, and, as such, must be operated only with CFM Corporation approved components. If you use an unapproved component to make any modifications, you may create a possible fire hazard and will void CFM Corporation warranty. In addition, such action may void the coverage provided by the owner's insurance.

LIMITED LIFETIME WARRANTY

PRODUCT COVERED BY THIS WARRANTY

All Vermont Castings gas stoves, gas inserts, and gas fireplaces, and all Majestic brand gas fireplaces equipped with an Insta-Flame Ceramic Burner, or standard steel tube burner.

BASIC WARRANTY

CFM Corporation (hereinafter referred to collectively as the Company) warrants that your new Vermont Castings or Majestic Gas Fireplace/Stove is free from manufacturing and material defects for a period of one year from the date of purchase, subject to the following conditions and limitations.

EXTENDED LIFETIME WARRANTY

The heat exchanger, where applicable, and combustion chamber of every Vermont Castings or Majestic gas product is warranted for life against through wall perforation. All appliances equipped with an Insta-Flame Ceramic Burner have limited lifetime coverage on the ceramic burner plaque. Warrantees are made to the original owner subject to proof of purchase and the conditions and limitations listed on this Warranty Document

COMPONENT WARRANTY

CAST IRON: All external and internal cast iron parts are warranted for a period of three years.

Note: On porcelain enamel finished external parts and accessories The Company offers no Warranty on chipping of enamel surfaces. Inspect all product prior to accepting it for any damage to the enamel.

The salt air environment of coastal areas or a high humidity environment can be corrosive to the porcelain enamel finish. These conditions can cause rusting of the cast iron beneath the porcelain enamel finish, which will cause the finish to flake off.

Dye lot variations with replacement parts and/or accessories can occur and are not covered by warranty.

GLASS DOORS: Glass doors are covered for a period of one year. Glass doors are not warranted for breakage due to misuse or accident. Glass doors are not covered for discoloration or burned in stains due to environmental issues, or improper cleaning and maintenance.

BRASS PLATED PARTS AND ACCESSORIES: Brass parts should be cleaned with Lemon oil only. Brass cleaners cannot be used. Mortar mix and masonry cleaners may corrode the brass finish. The Company will not be responsible for, nor will it warrant any brass parts which are damaged by external chemicals or down draft conditions.

GAS VALVES: Gas valves are covered for a period of one year

ELECTRONIC AND MECHANICAL COMPONENTS: Electronic and mechanical components of the burner assembly are covered for one year. All steel tube burners are warranted for one year.

ACCESSORIES: Unless otherwise noted all components and CFM Corporation company supplied accessories are covered for a period of one year.

CONDITIONS AND LIMITATIONS

- This new Vermont Castings or Majestic product must be installed by a competent, authorized, service contractor. A licensed technician, as prescribed by the local jurisdiction must perform any installation/service work. It must be installed and operated at all times in accordance with the Installation and Operating instructions furnished with the product. Any alteration, willful abuse, accident, or misuse of the product shall nullify this warranty.
- This warranty is non-transferable, and is made to the original owner, provided that the purchase was made through an authorized supplier of the Company.
- The customer must pay for any Authorized Dealer in-home travel fees or service charges for in-home repair work. It is the dealers option whether the repair work will be done in the customer's home or in the dealer's shop.
- If upon inspection, the damage is found to be the fault of the manufacturer, repairs will be authorized at no charge to the customer parts and/or labor.

- Any part and/or component replaced under the provisions of this warranty is covered for six months or the remainder of the original warranty, whichever is longest.
- This warranty is limited to the repair of or replacement of part(s) found to be defective in material or workmanship, provided that such part(s) have been subjected to normal conditions of use and service, after said defect is confirmed by the Company's inspection.
- The company may, at its discretion, fully discharge all obligations with respect to this warranty by refunding the wholesale price of the defective part(s)
- Any installation, labor, construction, transportation, or other related costs/expenses arising from defective part(s), repair, replacement, or otherwise of same, will not be covered by this warranty, nor shall the Company assume responsibility for same. Further, the Company will not be responsible for any incidental, indirect, or consequential damages except as provided by law.
- SOME STATES DO NOT ALLOW FOR THE EXCLUSION OR LIMITATIONS OF INCIDENTAL AND CONSEQUENTIAL DAMAGES OR LIMITATIONS ON HOW LONG AN IMPLIED WARRANTY LASTS, SO THE ABOVE LIMITATIONS MAY NOT APPLY TO YOUR CIRCUMSTANCES. THIS WARRANTY GIVES YOU SPECIFIC RIGHTS AND YOU MAY HAVE OTHER RIGHTS WHICH VARY FROM STATE TO STATE.
- All other warranties-expressed or implied- with respect to the product, its components and accessories, or any obligations/liabilities on the part of the Company are hereby expressly excluded.
- The Company neither assumes, nor authorizes any third party to assume on its behalf, any other liabilities with respect to the sale of this Vermont Castings or Majestic product
- The warranties as outlined within this document do not apply to chimney components or other non CFM Corporation accessories used in conjunction with the installation of this product..
- Damage to the unit while in transit is not covered by this warranty but is subject to claim against the common carrier. Contact the dealer from whom you purchased your fireplace/stove (do not operate the appliance as this might negate the ability to process the claim with the carrier).
- The Company will not be responsible for:
 - a) Down drafts or spillage caused by environmental conditions such as near-by trees, buildings, roof tops, hills, or mountains.
 - b) Inadequate ventilation or negative air pressure caused by mechanical systems such as furnaces, fans, clothes dryers, etc.
- This warranty is void if:
 - a) The fireplace has been operated in atmospheres contaminated by chlorine, fluorine, or other damaging chemicals.
 - b) The fireplace has been subjected to prolonged periods of dampness or condensation
 - c) Any damages to the fireplace, combustion chamber, heat exchanger or other components due to water, or weather damage, which is the result of but not limited to, improper chimney/venting installation.
 - d) Any alteration, willful abuse, accident, or misuse of the product has occurred.

IF WARRANTY SERVICE IS NEEDED...

- 1) Contact your supplier. Make sure you have your warranty, your sales receipt, and the model/serial number of your CFM Corporation product.
- 2) DO NOT ATTEMPT TO DO ANY SERVICE WORK YOURSELF.

NATIONAL
FIREPLACE
INSTITUTE®



CERTIFIED
www.nficertified.org

We recommend that our gas hearth products be installed and serviced by professionals who are certified in the U.S. by the National Fireplace Institute® (NFI) as NFI Gas Specialists.

CFM Corporation

2695 Meadowvale Blvd. • Mississauga, Ontario, Canada L5N 8A3
800-668-5323 • www.cfmcorp.com

Free Manuals Download Website

<http://myh66.com>

<http://usermanuals.us>

<http://www.somanuals.com>

<http://www.4manuals.cc>

<http://www.manual-lib.com>

<http://www.404manual.com>

<http://www.luxmanual.com>

<http://aubethermostatmanual.com>

Golf course search by state

<http://golfingnear.com>

Email search by domain

<http://emailbydomain.com>

Auto manuals search

<http://auto.somanuals.com>

TV manuals search

<http://tv.somanuals.com>