



# MXD40

## INSTALLATION/OWNERS MANUAL

AM/FM/CD Marine Receiver with Detach Face



## Preparation

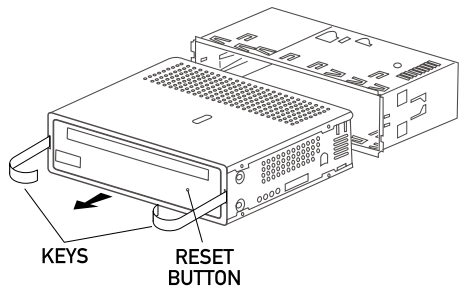
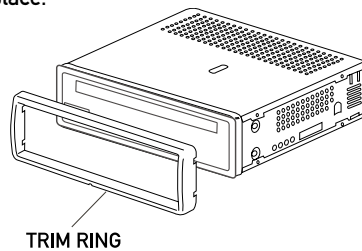
Please read entire manual before installation.

### Before You Start

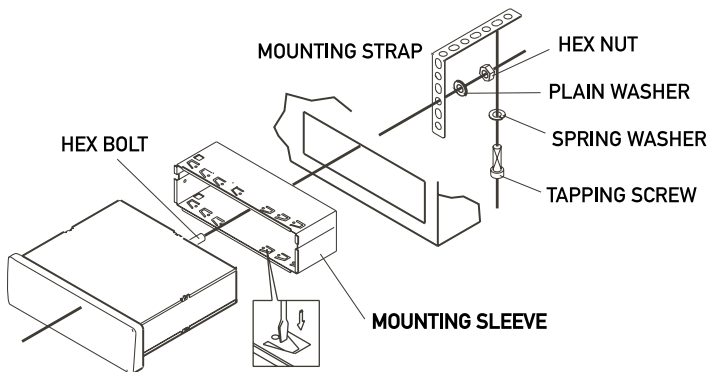
- Disconnect negative battery terminal. (consult a qualified technician for instructions)
- Avoid installing the unit where it would be subject to high temperatures, such as from direct sunlight, or where it would be subject to dust, dirt or excessive vibration.

### Getting Started

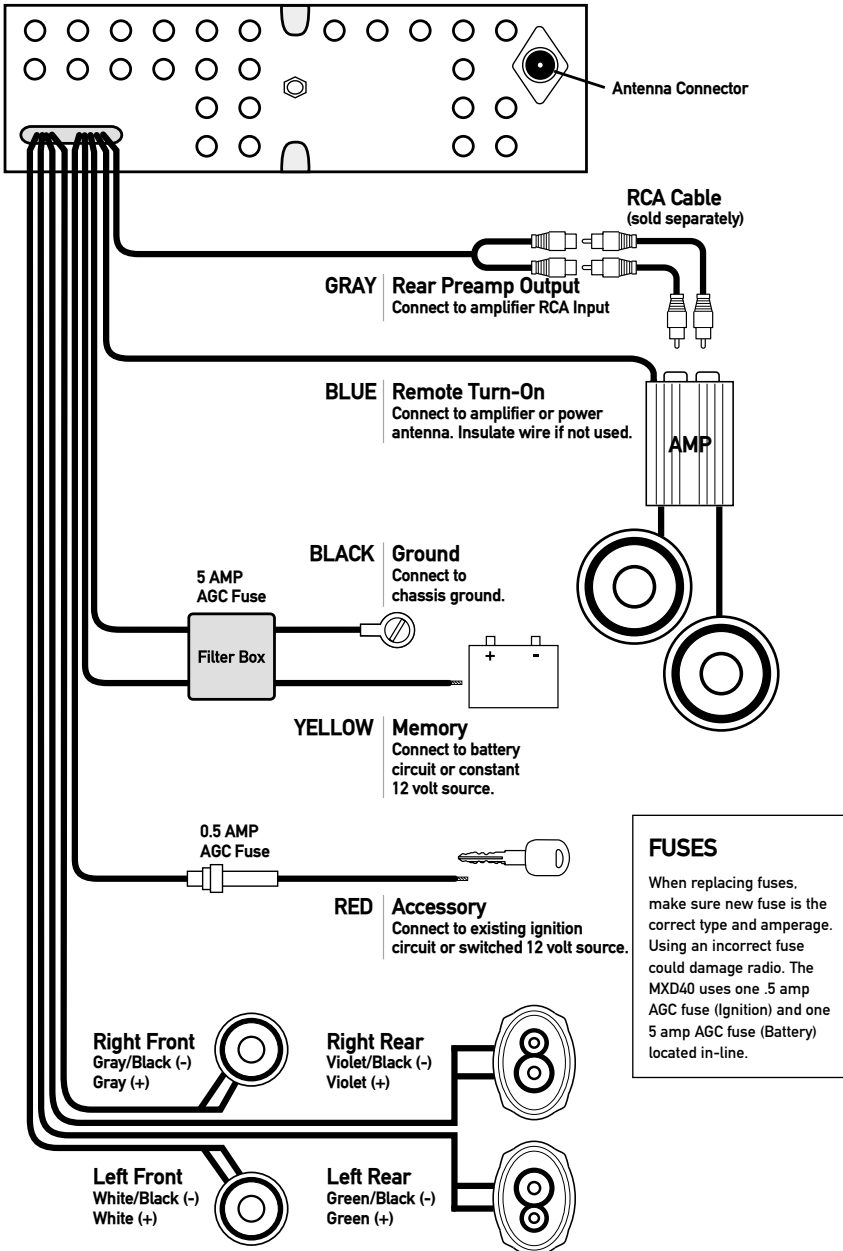
- Remove 2 transit screws located on top of the unit.
- Insert the supplied keys into the slots as shown, and slide the unit out of the mounting sleeve.
- Install mounting sleeve into opening, bending tabs to secure.
- Connect wiring harness and antenna. (consult a qualified technician if you are unsure).
- Test for correct operation and slide into mounting sleeve to secure.
- Snap trim ring into place.



### TYPICAL MOUNTING METHOD

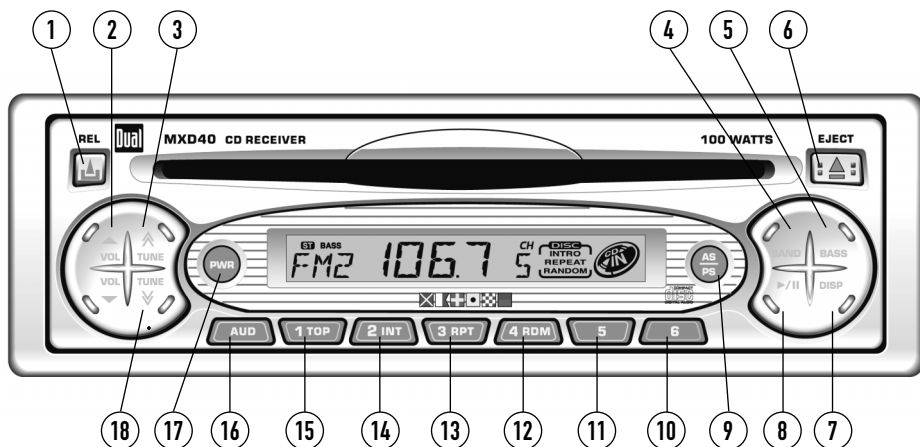


# Wiring Diagram





## Control Locations



- |                          |                      |
|--------------------------|----------------------|
| ① Release                | ⑩ Preset 6           |
| ② Volume                 | ⑪ Preset 5           |
| ③ Tune/Track Up          | ⑫ Preset 4/CD Random |
| ④ Band                   | ⑬ Preset 3/CD Repeat |
| ⑤ Bass Boost             | ⑭ Preset 2/CD Intro  |
| ⑥ Eject                  | ⑮ Preset 1/CD Top    |
| ⑦ Display                | ⑯ Audio              |
| ⑧ Play/Pause             | ⑰ Power              |
| ⑨ Auto Store/Preset Scan | ⑱ Tune/Track Down    |



The MXD40 Marine Receiver features UV resistant faceplate construction and clear-coated circuit boards for long lasting protection against the elements in the marine environment. Both chassis and mounting sleeve include an EDP (Electro-Deposit Plating) process for increased corrosion resistance.

## General Operation

<b>Faceplate Removal</b>	<p>Press <b>REL</b> and pull away from the left side to remove. To re-install, insert right side of faceplate first then push left side to secure.</p> <p>*For semi-permanent faceplate installation, remove trim ring and install supplied Phillips head #1 screw through left side of mounting frame into faceplate.</p>
<b>Power On/Off</b>	<p>Press <b>PWR</b> to turn the unit on. Inserting a CD will turn the unit on automatically. Press <b>PWR</b> to turn the unit off.</p>
<b>CD Mode</b>	<p>Insert a CD or press <b>▶/  </b> to begin or resume playback.</p>
<b>Tuner Mode</b>	<p>Press <b>PWR</b> or <b>BAND</b> to begin or resume tuner operation.</p>
<b>Bass Boost</b>	<p>Press <b>BASS</b> to activate and deactivate bass boost curve. Activating this feature will enhance the bass frequencies when listening to music at low volumes.</p>
<b>Volume</b>	<p>Adjust volume using <b>VOL ▲</b> or <b>VOL ▼</b> (00-39).</p>
<b>Display</b>	<p>Press <b>DISP</b> to display the clock. The radio frequency (tuner mode) or CD track/elapsed time (CD player mode) show by default.</p>
<b>Set the Clock</b>	<p>Press <b>DISP</b> to display the clock, then release. Press and hold <b>DISP</b> then press <b>TUNE ≡</b> to adjust the hours and <b>TUNE ≡</b> to adjust the minutes. Release <b>DISP</b> to save the selected time.</p>



## General Operation

**Reset** Press and hold for more than 2 seconds to **RESET** the unit upon initial installation. The **RESET** button is located behind the faceplate.

**Audio** Press **AUD** to select between Volume (default), Bass, Treble, Balance & Fader.









**Bass** Press **AUD** until **BA** appears  
Press **VOL** ▼ or ▲ to adjust  
(6 maximum / -6 minimum)

**Treble** Press **AUD** until **TR** appears  
Press **VOL** ▼ or ▲ to adjust  
(6 maximum / -6 minimum)

**Balance** Press **AUD** until **B** appears  
Press **VOL** ▼ (**LEFT**) or ▲ (**RIGHT**) to adjust  
(BL 16/BR 16) B 00 represents equal balance.








**Fader** Press **AUD** until **F** appears  
Press **VOL** ▲ (**FRONT**) or ▼ (**REAR**) to adjust  
(FF 16/FR 16) F 00 represents equal balance.

## Tuner Operation

<b>Seek Tuning</b>	Press <b>TUNE</b>  or  momentarily to seek the next strong station.
<b>Manual Tuning</b>	Press <b>TUNE</b>  or  for more than 2 seconds, then press <b>TUNE</b>  or  momentarily to move radio frequency up or down one step at a time. Press and hold to advance quickly. If tuning is not adjusted for 2 seconds, the unit will return to seek tuning mode (default).
<b>Band</b>	Press <b>BAND</b> to select between FM1, FM2, FM3 and AM1, AM2 bands.
<b>Storing and Recalling Station Presets</b>	Up to 18 FM stations and 12 AM stations can be stored. To store a station, select the desired band and station. Press and hold the desired preset button for more than 2 seconds. When stored, the preset number will appear in the display. The station can be recalled anytime by pressing the corresponding preset button.
<b>Automatically Store Stations</b>	Press <b>AS/PS</b> for more than 2 seconds to automatically store the six strongest stations in the current band.
<b>Preset Scan</b>	Press <b>AS/PS</b> for less than 2 seconds to scan presets 1-6 on the current band, pausing for 5 seconds at each. Press <b>AS/PS</b> again to cancel.



## **CD Player Operation**

<b>Insert CD</b>	With the label facing up, insert a standard 5" CD into the CD slot. The CD will automatically begin playback.
<b>Eject CD</b>	Press the <b>EJECT</b> button to stop and eject the CD. The unit will change to tuner mode.
<b>Track Select</b>	Press <b>TRACK</b>  to skip to the beginning of the next track. Press <b>TRACK</b>  to return to the beginning of the current track. Pressing <b>TRACK</b>  again skips to the beginning of the previous track.
<b>Fast Forward and Reverse</b>	Press and hold <b>TRACK</b>  or <b>TRACK</b>  to fast forward or reverse a track.
<b>Pause</b>	Press  to temporarily stop CD playback. Press  again to resume playback.
<b>Intro</b>	Press <b>INT</b> to play the first 10 seconds of each track. Press <b>INT</b> to cancel.
<b>Repeat</b>	Press <b>RPT</b> to continuously repeat selected track. Press <b>RPT</b> to cancel.
<b>Random</b>	Press <b>RDM</b> to play all tracks in random order. Press <b>RDM</b> again to cancel.
<b>Top</b>	Press <b>TOP</b> to begin playback from track 1.
<b>CD-R Compatibility</b>	Some CD-Rs may be incompatible with this unit, depending on media type and recording method. This model does not support CD-RWs.





## Limited One-Year Warranty

This warranty gives you specific legal rights. You may also have other rights which vary from state to state.

Namsung America Inc. warrants this product to the original purchaser to be free from defects in material and workmanship, under normal conditions, for a period of one year from the date of the original purchase.

Namsung America agrees, at our option, during the warranty period, to repair any defect in material or workmanship or to furnish an equal new or renewed product in exchange without charges, subject to verification of the defect or malfunction and proof of the date of purchase.

During the One-Year Warranty Period: For One Year from the date of purchase, your product will be replaced with a new, renewed or comparable product (whichever is deemed necessary) if it becomes defective or inoperative. This is done without charge to you. Replacement products are warranted for the balance of the original warranty period.

**Who is covered?** This warranty is extended to the original retail purchaser for products purchased and used in the U.S.A., in the 48 contiguous states ONLY.

**What is covered?** This warranty covers all defects in material and workmanship in this product. The following are not covered: installation/removal costs, damage resulting from accident, misuse, abuse, neglect, product modification, improper installation, incorrect line voltage, unauthorized repair or failure to follow instructions supplied with the product, or damage occurring during return shipment of the product.

**What to do?** If the product requires warranty service, you must prepay the initial shipping charges. DUAL will pay the return shipping charges if the product is returned to an address within the USA.

Namsung America Inc.  
Attn: Returns Center  
21318 64th Ave. South  
Kent, WA 98032 U.S.A.  
Toll Free: 1-866-626-7863

**Exclusion of Certain Damages:** This warranty is exclusive and in lieu of any and all other warranties, expressed or implied, including without limitation the implied warranties of merchantability and fitness for a particular purpose and any obligation, liability, right, claim or remedy in contract or tort, whether or not arising from the company's negligence, actual or imputed. No person or representative is authorized to assume for the company any other liability in connection with the sale of this product. In no event shall the company be liable for indirect, incidental or consequential damages.



## Specifications

<b>CD Player</b>	Signal-to-noise: <b>&gt;86dB</b> Frequency response: <b>20Hz-20kHz, ±3dB</b> Channel separation @ 1kHz: <b>&gt;65dB</b> D/A converter: <b>16 Bit</b>
<b>FM Tuner</b>	Tuning range: <b>87.5MHz-107.9MHz</b> FM mono sensitivity: <b>12dBf</b> 50dB quieting sensitivity (stereo): <b>16dBf</b> Stereo separation @ 1kHz: <b>40dB</b> Frequency response: <b>30Hz-13kHz, ±3dB</b>
<b>AM Tuner</b>	Tuning range: <b>530kHz-1710kHz</b> AM sensitivity: <b>30uV</b> Frequency response: <b>80Hz-2kHz, ±3dB</b>
<b>General</b>	Total system power: <b>100 Watts Peak</b> Power output: <b>25Wx4 @ 14.4 VDC</b> Power supply: <b>11-16 VDC, negative ground</b> Speaker output impedance: <b>4 ohms</b> Fuse: <b>.5 amp fast blow AGC, 5 amp fast blow AGC</b> Dimensions: <b>7" x 7" x 2" (178 x 178 x 51 mm)</b>

Specifications subject to change without notice



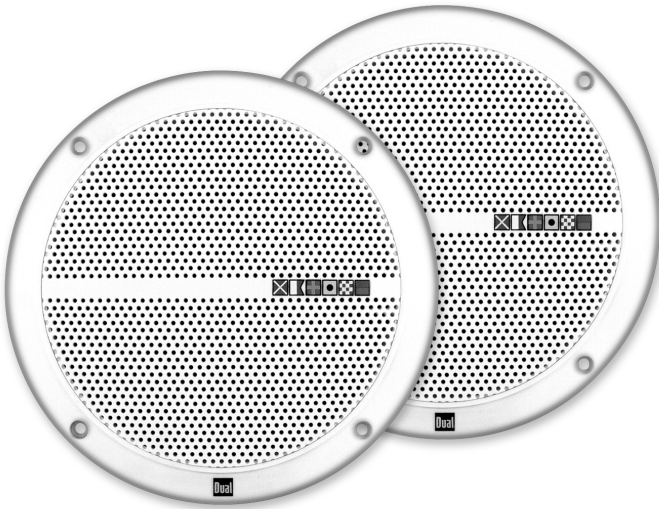
## Troubleshooting

Problem	Cause	Action
<b>Unit will not turn on (no power)</b>	Yellow wire not connected or incorrect voltage	Check connections for proper voltage (11~16VDC)
	Red wire not connected or incorrect voltage	
	Black wire not connected	Check connection to ground
	Fuse blown	Replace fuse
<b>Unit has power (but no sound)</b>	Speaker wires not connected	Check connections at speakers
	One or more speaker wires touching each other or touching chassis ground	Insulate all bare speaker wires from each other and chassis ground
<b>Unit blows fuses</b>	Yellow or red wire touching chassis ground	Check for pinched wire
	Speaker wires touching chassis ground	Check for pinched wire
	Incorrect fuse rating	Use fuse with correct rating
<b>Excessive skipping</b>	Unit is not mounted correctly or backstrap is not secure	Check mounting sleeve and backstrap support
	Physical defect in media (CD or CD-R)	Check media for scratches
<b>Error 1 appears on display</b>	High internal temperature	Turn unit off for 1 hour
<b>Error 2 appears on display</b>	Load/Eject operation error	Press eject or RESET
<b>Error 3 appears on display</b>	Focus adjustment error	Clean or replace media
<b>Error 4 appears on display</b>	Tracking auto adjustment error	Clean or replace media
<b>Error 6 appears on display</b>	Sled operation error	Press eject or RESET
<b>Error 7 appears on display</b>	Focus search operation error	Press eject or RESET
<b>Error 8 appears on display</b>	CLV (PLL) operation error	Press eject or RESET
<b>Error 9 appears on display</b>	TOC data read error	Clean or replace media



Namsung America Inc.  
21318 64th Ave. South  
Kent, WA 98032  
Toll Free: 1-866-626-7863

©2003 Namsung America, Inc.  
EVOK0603-V01



# DMP65

---

## INSTALLATION/OWNERS MANUAL

6.5" Dual Cone Marine Speakers





# Preparation/Installation

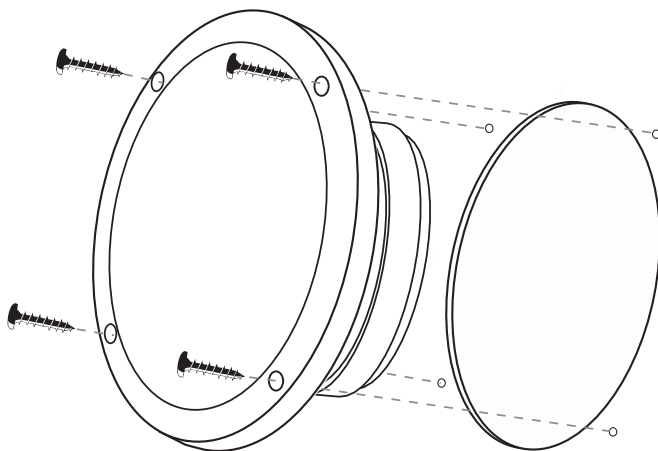
Please read entire manual before installation.

### Before You Start

- Disconnect negative battery terminal.  
(consult a qualified technician for instructions)
- Use extreme caution when drilling holes to avoid damaging fuel lines, hydraulic lines or existing wiring.

### Getting Started

- Determine where the speakers will be mounted. Ensure an area large enough for the speaker to mount evenly. Be sure the mounting location is deep enough for the speaker to fit.
- Using an appropriate tool, cut a 5.13" diameter mounting hole. Route speaker wires and connect to speakers, observing speaker polarity.
- Install speaker into opening using supplied hardware and test for correct operation.



**TYPICAL MOUNTING METHOD**



## Limited One-Year Warranty

This warranty gives you specific legal rights. You may also have other rights which vary from state to state.

Namsung America Inc. warrants this product to the original purchaser to be free from defects in material and workmanship, under normal conditions, for a period of one year from the date of the original purchase.

Namsung America agrees, at our option, during the warranty period, to repair any defect in material or workmanship or to furnish an equal new or renewed product in exchange without charges, subject to verification of the defect or malfunction and proof of the date of purchase.

During the One-Year Warranty Period: For One Year from the date of purchase, your product will be replaced with a new, renewed or comparable product (whichever is deemed necessary) if it becomes defective or inoperative. This is done without charge to you. Replacement products are warranted for the balance of the original warranty period.

**Who is covered?** This warranty is extended to the original retail purchaser for products purchased and used in the U.S.A., in the 48 contiguous states ONLY.

**What is covered?** This warranty covers all defects in material and workmanship in this product. The following are not covered: installation/removal costs, damage resulting from accident, misuse, abuse, neglect, product modification, improper installation, incorrect line voltage, unauthorized repair or failure to follow instructions supplied with the product, or damage occurring during return shipment of the product.

**What to do?** If the product requires warranty service, you must prepay the initial shipping charges. DUAL will pay the return shipping charges if the product is returned to an address within the USA.

Namsung America Inc.  
Attn: Returns Center  
21318 64th Ave. South  
Kent, WA 98032 U.S.A.  
Toll Free: 1-866-626-7863

**Exclusion of Certain Damages:** This warranty is exclusive and in lieu of any and all other warranties, expressed or implied, including without limitation the implied warranties of merchantability and fitness for a particular purpose and any obligation, liability, right, claim or remedy in contract or tort, whether or not arising from the company's negligence, actual or imputed. No person or representative is authorized to assume for the company any other liability in connection with the sale of this product. In no event shall the company be liable for indirect, incidental or consequential damages.



## DMP65 SPECIFICATIONS

---

# Specifications

<b>Outside Diameter</b>	7.13"
<b>Mounting Depth</b>	2.5"
<b>Mounting Height</b>	.88"
<b>Cut-out Diameter</b>	5.13"
<b>Frequency Response</b>	45Hz-18kHz, $\pm 3$ dB
<b>Sensitivity</b>	90dB 1W/1M
<b>Impedance</b>	4 ohms
<b>RMS Power</b>	20 Watts
<b>Peak Power</b>	60 Watts
	Specifications subject to change without notice



Namsung America Inc.  
21318 64th Ave. South  
Kent, WA 98032  
Toll Free: 1-866-626-7863

©2003 Namsung America, Inc.  
EVOK0603-V01



## Free Manuals Download Website

<http://myh66.com>

<http://usermanuals.us>

<http://www.somanuals.com>

<http://www.4manuals.cc>

<http://www.manual-lib.com>

<http://www.404manual.com>

<http://www.luxmanual.com>

<http://aubethermostatmanual.com>

Golf course search by state

<http://golfingnear.com>

Email search by domain

<http://emailbydomain.com>

Auto manuals search

<http://auto.somanuals.com>

TV manuals search

<http://tv.somanuals.com>