



XC4100

INSTALLATION/OWNERS MANUAL

AM/FM/CASSETTE Receiver





XC4100 INSTALLATION

Preparation

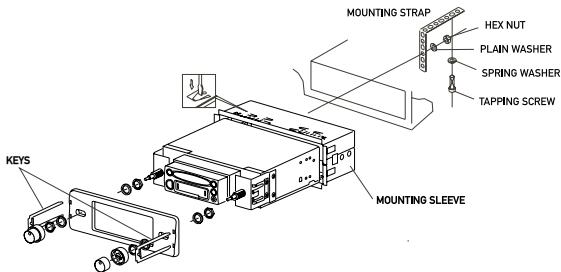
Please read entire manual before installation.

Before You Start

- Disconnect negative battery terminal.
(consult a qualified technician for instructions)
- Avoid installing the unit where it would be subject to high temperatures, such as from direct sunlight, or where it would be subject to dust, dirt or excessive vibration.

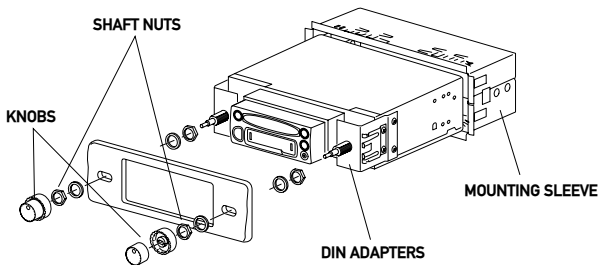
Getting Started

- Insert the supplied keys into the slots as shown, and slide the unit out of the mounting sleeve.
- DIN mounting procedure:
Install mounting sleeve into dash opening, bending tabs to secure.
- 2-Shaft mounting procedure:
Remove knobs, faceplate and DIN mounting adapters from unit.
Install unit into kit or dash opening from behind. Adjust rear shaft nuts to correct depth. Install faceplate and knobs.
- Certain vehicles may require an installation kit and/or wiring harness adapter (sold separately).

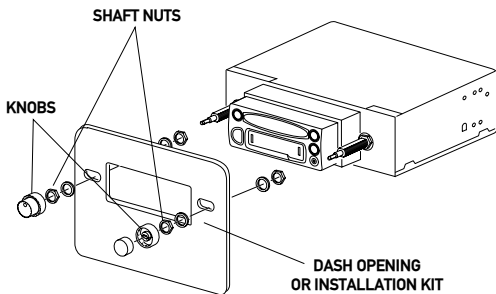


Installation

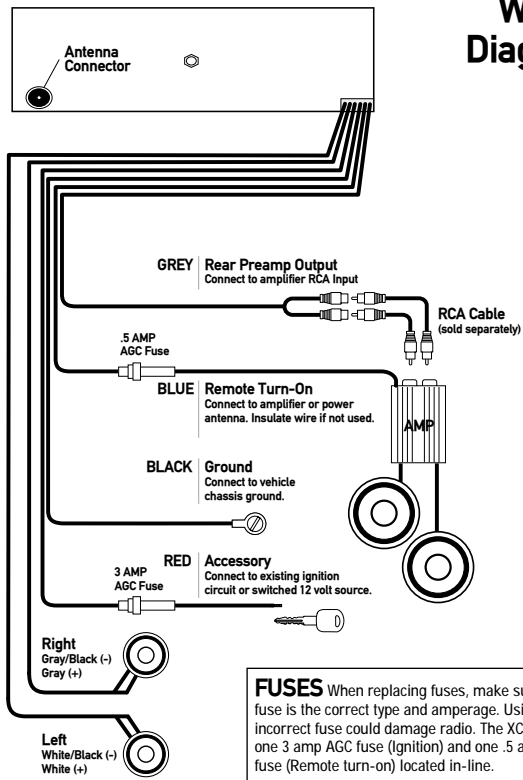
Typical DIN Mounting



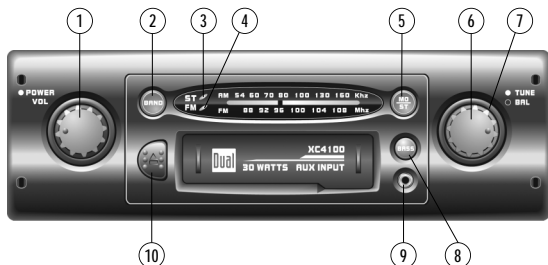
Typical 2-Shaft Mounting



Wiring Diagram



Control Locations



- | | |
|--------------------|----------------------|
| ① Power/Volume | ⑥ Tuning |
| ② Band | ⑦ Balance |
| ③ Stereo Indicator | ⑧ Bass Boost |
| ④ FM Indicator | ⑨ Auxiliary Input |
| ⑤ Mono/Stereo | ⑩ Eject/Fast Forward |

General Operation

- | | |
|-----------------------|---|
| Power On/Off | Turn POWER knob clockwise to turn the unit on. Turn POWER knob counter-clockwise until a click is heard to turn the unit off. |
| Cassette Mode | Insert a cassette to begin playback. |
| Tuner Mode | Turn POWER knob clockwise or eject cassette to begin or resume tuner operation. |
| Auxiliary Mode | Insert a standard 3.5 mm (line or headphone output) plug into the auxiliary input to listen to a portable CD or MP3 player. |



General Operation (continued)

Bass Boost	Press BASS to activate and deactivate bass boost curve. Activating this feature will enhance the bass frequencies when listening to music at low volumes.
Volume	Adjust volume by turning VOL knob clockwise or counter-clockwise.
Balance	Adjust balance by turning BAL knob clockwise or counter-clockwise.

Tuner Operation

Tuning	Turn TUNE knob to select desired station.
FM Mono/Stereo	Press MO/ST during FM tuner operation to select mono or stereo reception of the broadcast signal. The FM stereo LED indicator illuminates during FM stereo reception.
Band	Press BAND to select between FM and AM bands. The FM LED indicator illuminates when FM is selected.

Cassette Player Operation

Insert Cassette	Insert a standard audio cassette into the cassette slot. The cassette will automatically begin playback.
Eject	Press the EJECT button all the way in to stop and eject the cassette. The unit will change to tuner mode.
Fast Forward	Press the EJECT button half way in to fast forward. Press EJECT again to resume playback.



Limited One-Year Warranty

This warranty gives you specific legal rights. You may also have other rights which vary from state to state.

Namsung America Inc. warrants this product to the original purchaser to be free from defects in material and workmanship, under normal conditions, for a period of one year from the date of the original purchase.

Namsung America agrees, at our option, during the warranty period, to repair any defect in material or workmanship or to furnish an equal new or renewed product in exchange without charges, subject to verification of the defect or malfunction and proof of the date of purchase.

During the One-Year Warranty Period: For One Year from the date of purchase, your product will be replaced with a new, renewed or comparable product (whichever is deemed necessary) if it becomes defective or inoperative. This is done without charge to you. Replacement products are warranted for the balance of the original warranty period.

Who is covered? This warranty is extended to the original retail purchaser for products purchased and used in the U.S.A., in the 48 contiguous states ONLY.

What is covered? This warranty covers all defects in material and workmanship in this product. The following are not covered:

installation/removal costs, damage resulting from accident, misuse, abuse, neglect, product modification, improper installation, incorrect line voltage, unauthorized repair or failure to follow instructions supplied with the product, or damage occurring during return shipment of the product.

What to do? If the product requires warranty service, you must prepay the initial shipping charges. DUAL will pay the return shipping charges if the product is returned to an address within the USA.

Namsung America Inc.
Attn: Returns Center
21318 64th Ave. South
Kent, WA 98032 U.S.A.
Toll Free: 1-866-626-7863

Exclusion of Certain Damages: This warranty is exclusive and in lieu of any and all other warranties, expressed or implied, including without limitation the implied warranties of merchantability and fitness for a particular purpose and any obligation, liability, right, claim or remedy in contract or tort, whether or not arising from the company's negligence, actual or imputed. No person or representative is authorized to assume for the company any other liability in connection with the sale of this product. In no event shall the company be liable for indirect, incidental or consequential damages.

Specifications

Cassette Player	Signal-to-noise: >40dB Frequency response: 60Hz-6.3kHz, ±3dB
FM Tuner	Tuning range: 87.5MHz-107.9MHz Frequency response: 30Hz-13kHz, ±3dB
AM Tuner	Tuning range: 530kHz-170kHz Frequency response: 80Hz-2kHz, ±3dB
General	Total system power: 30 Watts Peak Power output: 15Wx2 @ 14.4 VDC Power supply: 11-16 VDC, negative ground Speaker output impedance: 4 ohms Fuses: 3 amp fast blow AGC, .5 amp fast blow AGC Dimensions: 7.5" x 7" x 2.38" (191 x 178 x 60 mm)

Specifications subject to change without notice



Namsung America Inc.
21318 64th Ave. South
Kent, WA 98032
Toll Free: 1-866-626-7863

©2003 Namsung America, Inc.
EVOK0403-V01

Free Manuals Download Website

<http://myh66.com>

<http://usermanuals.us>

<http://www.somanuals.com>

<http://www.4manuals.cc>

<http://www.manual-lib.com>

<http://www.404manual.com>

<http://www.luxmanual.com>

<http://aubethermostatmanual.com>

Golf course search by state

<http://golfingnear.com>

Email search by domain

<http://emailbydomain.com>

Auto manuals search

<http://auto.somanuals.com>

TV manuals search

<http://tv.somanuals.com>