



XDVD8130

INSTALLATION/OWNER'S MANUAL

DVD Multimedia Receiver with 2.5" TFT Display



Safety Note:

The DVD video display of the in-dash unit will not operate while the vehicle is moving. This is a safety feature to prevent driver distraction. In-dash DVD video functions will only operate when vehicle is in Park and the parking brake is engaged. It is illegal in most states for the driver to view video while the vehicle is in motion.

Table of Contents

	Page
DVD Region Management	2
Safety Information/Precautions	3
Mounting/Wiring	4-7
Control Locations - Receiver	8
Control Locations - Remote	9
General Operation	10-12
General Setup	13
AM/FM Tuner Operation	14
DVD Setup Menu	15-19
DVD Operation	20-22
CD Operation	23-24
MP3/WMA Operation	25
DVD/MP3/WMA Information	26-27
Navigation/Auxiliary Modes	28
Warranty	29
Troubleshooting	30
Specifications	31

DVD Region Management

Some DVD discs can be played only in certain playback modes according to the intentions of the software. As the XDVD8130 plays discs according to their intentions, some functions may not work as intended. Please be sure to read the instructions provided with each disc. This player has been designed to play back DVD software that has been encoded for specific region areas. It cannot play back DVD software encoded for other region areas than the region areas for which it has been designed.

The XDVD8130 will play discs labeled "Region 1" or "All".

DVD region codes:

- 1 - USA, Canada
- 2 - Japan, Europe, South Africa, Middle East
- 3 - Rep. of Korea, Taiwan, Hong Kong, Parts of Southeast Asia
- 4 - Australia, New Zealand, Mexico, South America
- 5 - Eastern Europe, Russia, India, Africa
- 6 - China



Safety Information

Please read all instructions carefully before attempting to install or operate.

Due to its technical nature, it is highly recommended that your DUAL XDVD8130 is installed by a professional installer or an authorized dealer. This product is only for use in vehicles with 12VDC negative ground only.

Safety Notes:

The DVD video display of the in-dash unit will not operate while the vehicle is moving. This is a safety feature to prevent driver distraction. In-dash DVD video functions will only operate when vehicle is in Park and the parking brake is engaged. It is illegal in most states for the driver to view video while the vehicle is in motion.

To prevent damage or injury:

1. Make sure to ground the unit securely to the vehicle chassis ground.
2. Do not remove the top or bottom covers of the unit.
3. Do not install the unit in a spot exposed to direct sunlight or excessive heat or the possibility of water splashing.
4. Do not subject the unit to excessive shock.
5. When replacing a fuse, only use a new one with the prescribed rating. Using a fuse with the wrong rating may cause the unit to malfunction.
6. To prevent short circuits when replacing a fuse, disconnect the wiring harness first.
7. Use only the provided hardware and wire harness.
8. You cannot view video while the vehicle is moving. Find a safe place to park and engage the parking brake.
9. If you experience problems during installation, consult your nearest DUAL dealer.
10. If the unit malfunctions, press the reset button first. If the problem still persists, consult your nearest DUAL dealer or call tech assistance @ 1-866-382-5476.
11. To clean the monitor, wipe only with a dry silicone cloth or soft cloth. Do not use a stiff cloth, or volatile solvents such as paint thinner and alcohol. They can scratch the surface of the panel and/or remove the printing.
12. When the temperature of the unit falls (as in winter), the liquid crystal inside the screen will become darker than usual. Normal brightness will return after using the monitor for a while.

Additional notes:

1. When extending the ignition, battery or ground cables, make sure to use automotive-grade cables or other cables with an area of 0.75mm (AWG 18) or more to prevent voltage drops.
2. Do not touch the liquid crystal fluid if the LCD is damaged or broken. The liquid crystal fluid may be hazardous to your health or fatal. If the liquid crystal fluid from the LCD contacts your body or clothing, wash it off with soap immediately.

Preparation

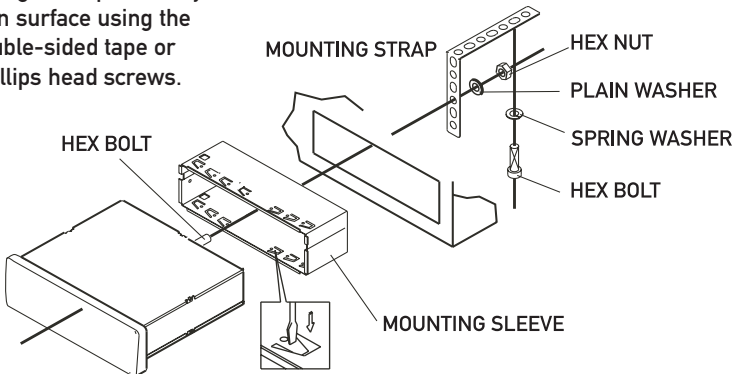
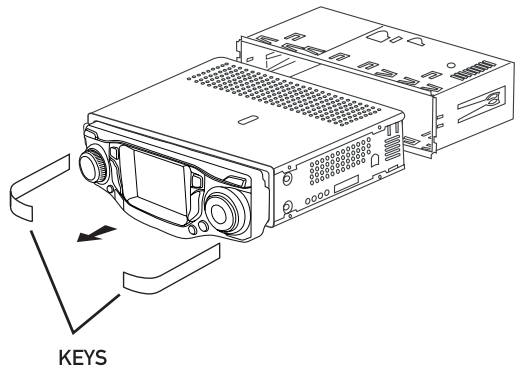
Please read entire manual before installation.

Before You Start

- Disconnect negative battery terminal. Consult a qualified technician for instructions.
- Avoid installing the unit where it would be subject to high temperatures, such as from direct sunlight, or where it would be subject to dust, dirt or excessive vibration.

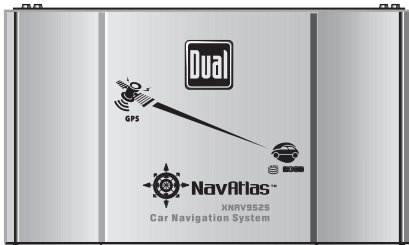
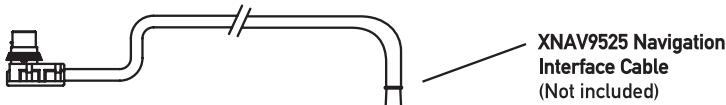
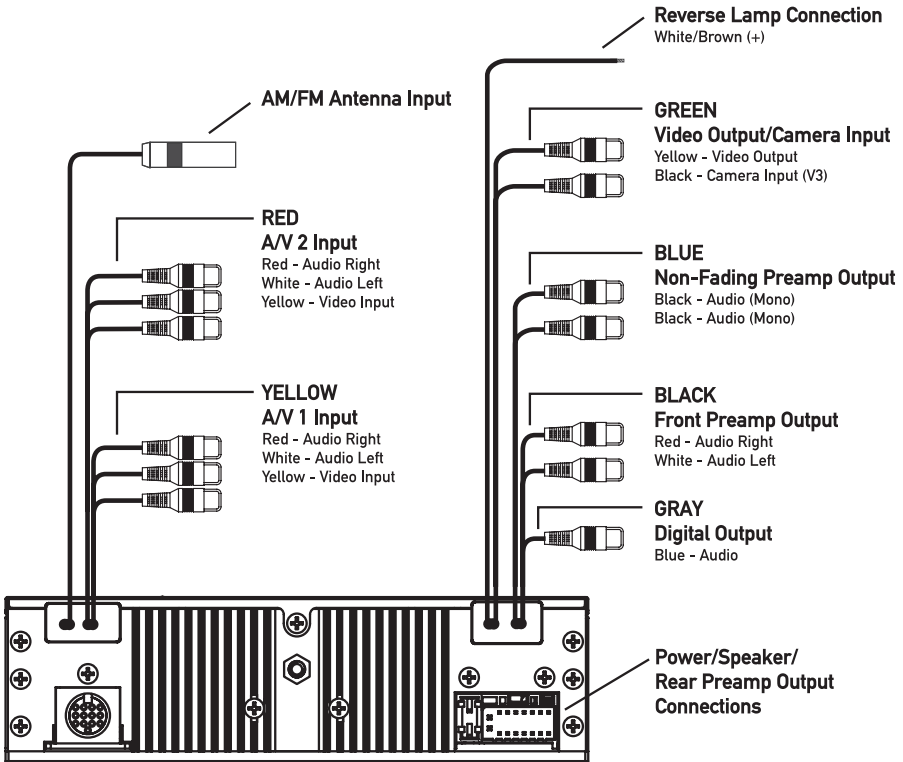
Getting Started

- Remove trim ring from unit.
- Insert the supplied keys into the slots as shown, and slide the unit out of the mounting sleeve.
- Install mounting sleeve into opening, bending tabs to secure.
- Connect wiring harness and antenna as shown on pages 5-6. Consult a qualified technician if you are unsure.
- Certain vehicles may require an installation kit and/or wiring harness adapter (sold separately).
- Test for correct operation and slide into mounting sleeve to secure.
- Snap trim ring into place.
- Mount the iplug™ adapter to any smooth clean surface using the supplied double-sided tape or #2 x 3/8" Phillips head screws.



TYPICAL FRONT-LOAD DIN MOUNTING METHOD

Wiring Diagram - Inputs/Outputs

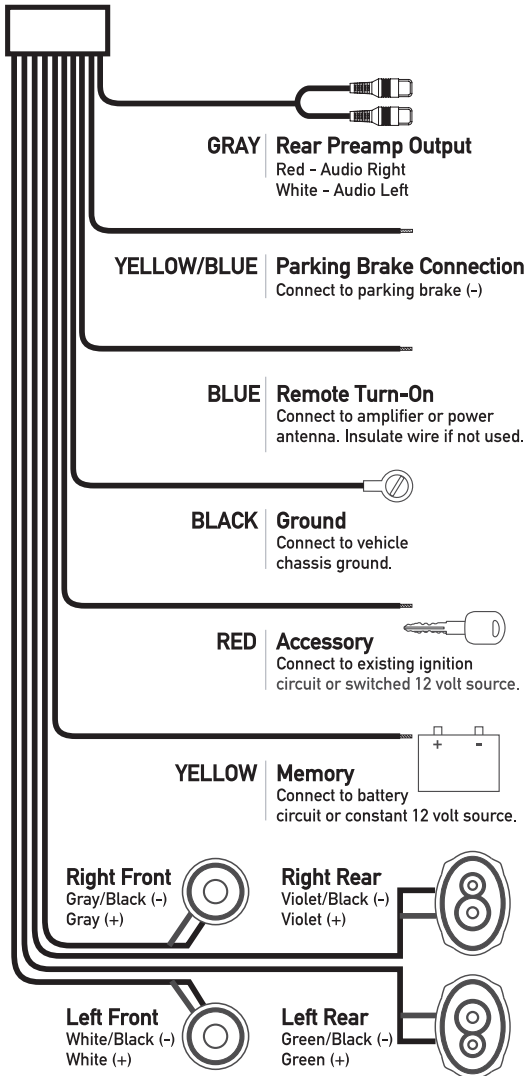


FUSE

When replacing the fuse, make sure new fuse is the correct type and amperage. Using an incorrect fuse could damage the radio. The XDVD8130 uses one 10 amp ATM fuse located beside the wiring connector.

XNAV9525 20GB Navigation System (Sold separately - not included)

Wiring Diagram - Power/Speakers



Wiring Notes:

Connecting the parking brake lead (Yellow/Blue -)

The Yellow/Blue lead **MUST** be connected for the in-dash monitor to operate properly. The DVD video display of the in-dash unit will not operate while the vehicle is moving. This is a safety feature to prevent driver distraction. In-dash DVD video functions will only operate when vehicle is in Park and the parking brake is engaged. It is illegal in most states for the driver to view video while the vehicle is in motion. This wire must be connected in accordance with all local, state and federal laws in your area.

Connecting the reverse lamp lead (White/Brown +)

The White/Brown lead connects to the vehicle reverse lamp circuit (optional). When reverse gear is selected, the unit will automatically switch to V3 mode and display the image on screen. This will allow the driver to view images from a back-up camera (optional) connected to the dedicated V3 camera input.

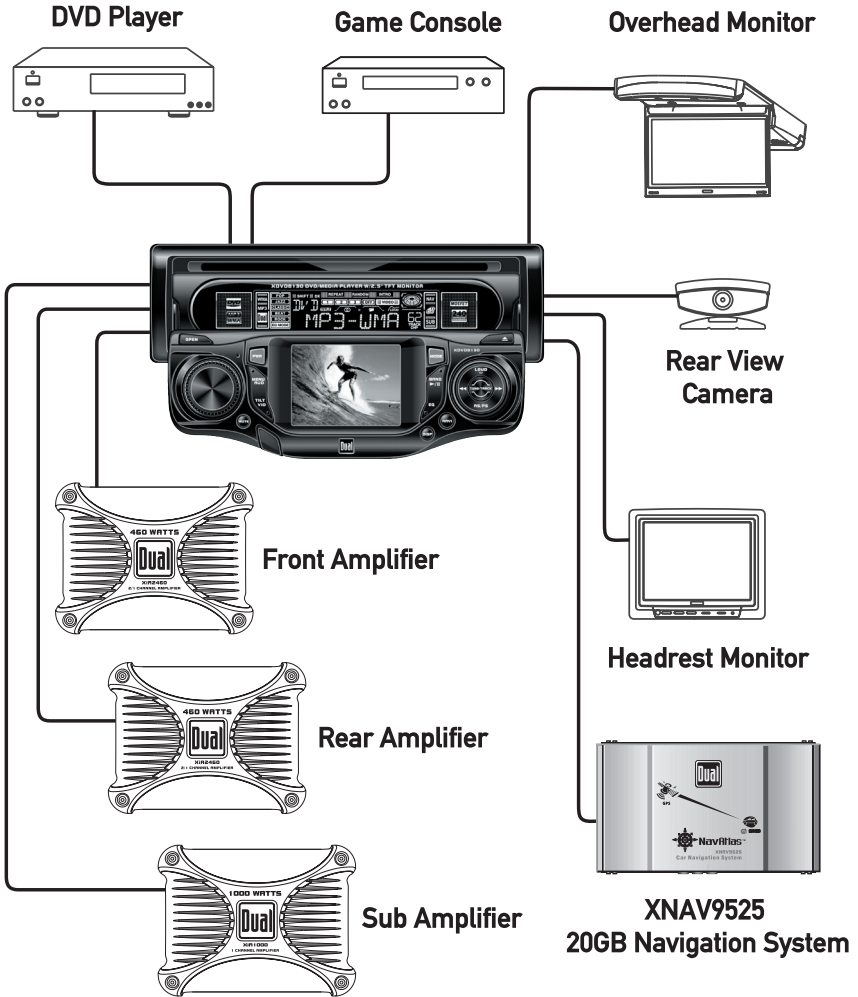
Speaker Connections

Do not connect any speaker leads to chassis ground or each other as severe damage will occur. Use 4 ohm speakers with a 60 watt (minimum) power rating only.

Fuses

When replacing a fuse, make sure new fuse is the correct type and amperage. Using an incorrect fuse could damage the unit. To prevent accidental shorts, insulate any unused wires.

Wiring Diagram - Optional A/V Connections



The diagram above illustrates the connection capabilities of the XDVD8130. Two separate Audio/Video inputs allow the connection of a DVD player or game console. The video output provides signal to external monitors - such as an overhead or headrest type. A rear view camera can be connected to provide assistance when backing up your vehicle. Visit your local DUAL dealer for more details.

* All items shown above are optional and sold separately.

Control Locations - Receiver



- | | |
|-----------------------|---------------------------|
| ① Open | ⑪ Eject |
| ② Rotary Volume | ⑫ Tune/Track Up |
| ③ Reset | ⑬ Auto Store/Preset Scan |
| ④ Power | ⑭ Navigation Mode |
| ⑤ Menu/Audio | ⑮ EQ |
| ⑥ TFT LCD | ⑯ Display |
| ⑦ Band/Play/Pause | ⑰ Infrared Sensor |
| ⑧ Mode | ⑱ Tilt Control/Video Mode |
| ⑨ Tune/Track Down | |
| ⑩ Loudness/Sub On/Off | |

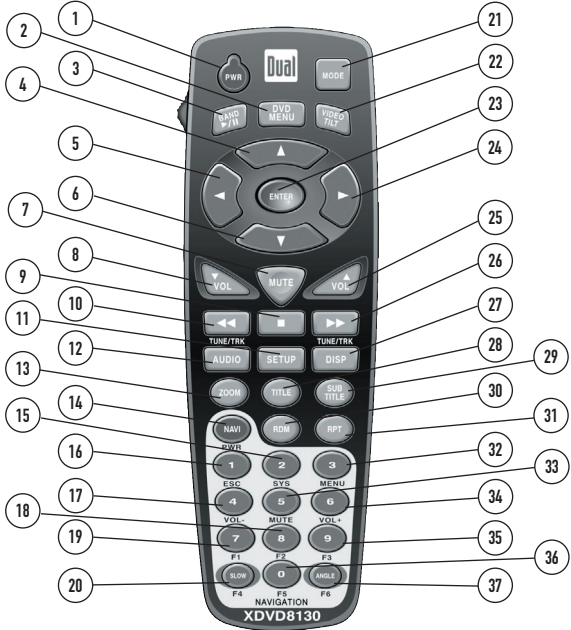
Caution

- Due to its highly technological design, the XDVD8130 faceplate is NOT removable. Do not attempt to remove the faceplate.
- This model incorporates a motorized moving monitor. Before final installation, make sure the monitor will not obstruct the dash or shifter.
- Upon installation, do not attempt to move the monitor by hand. Use the **OPEN** button on the faceplate only.

Mode Select



Control Locations - Remote




- | | | |
|----------------------------|----------------------------|--------------------------|
| 1 XDVD8130 Power | 14 XNAV9525 Power* | 26 Tune/Track/Chapter Up |
| 2 DVD Menu | 15 Preset #2/System* | 27 Display |
| 3 Band/Play/Pause | 16 Preset #1/Escapе* | 28 Title |
| 4 4-Way Up | 17 Preset #4/Volume Down* | 29 Subtitle |
| 5 4-Way Left | 18 Key #8/Function 2* | 30 Random |
| 6 4-Way Down | 19 Key #7/Function 1* | 31 Repeat |
| 7 Mute | 20 Slow/Function 4* | 32 Preset #3/Menu* |
| 8 Volume Down | 21 Mode | 33 Preset #5/Mute* |
| 9 Stop | 22 Tilt Control/Video Mode | 34 Preset #6/Volume Up* |
| 10 Tune/Track/Chapter Down | 23 Enter | 35 Key #9/Function 3* |
| 11 Setup | 24 4-Way Right | 36 Key #0/Function 5* |
| 12 Audio | 25 Volume Up | 37 Angle/Function 6* |
| 13 Zoom | | |

* Dedicated DUAL XNAV9525 functions

General Operation

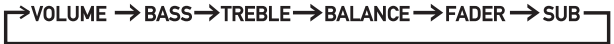
Power On/Off	Press PWR or any other button (except EJECT or OPEN) to turn the unit on. Inserting a disc will turn the unit on automatically. Press PWR to turn the unit off.
Reset	Press RESET the unit upon initial installation or if abnormal operation occurs. Refer to page 8 for the reset button location.
Mode	Press MODE to select between tuner, DVD player and auxiliary input. Modes of operation are indicated in the display.
Video (AUX)	Press VID to select between OFF, AV1, AV2 and V3 modes. Modes of operation are indicated in the display. The auxiliary A/V inputs can be selected from any mode (except DVD mode). This allows video to be displayed while listening to the AM/FM tuner (only when the vehicle is in Park and the parking brake is applied), for instance.
Notes	<ul style="list-style-type: none"> • The vehicle must be in park and the parking brake applied to view video on the in-dash monitor. • As a safety feature, “Picture Off For Your Safety” will appear on the display for 5 seconds anytime the vehicle's parking brake is not engaged. DVD, AV1 and AV2 audio can be heard while the vehicle is in motion. • The video display of the in-dash unit will not operate while the vehicle is moving. This is a safety feature to prevent driver distraction. In-dash video functions will only operate when vehicle is in Park and the parking brake is engaged. It is illegal in most states for the driver to view video while the vehicle is in motion. Refer to local laws in your area.
Tilt Control (monitor angle)	The angle of the monitor can be adjusted to provide the best view. To adjust, press TILT for more than 2 seconds. “Tilt Cont” will momentarily appear in the TFT display. Use the rotary encoder or the VOL ▲ ▼ buttons to adjust the angle. If the tilt is not adjusted for 5 seconds, the unit will return to normal operation.
Volume	Adjust volume using rotary encoder or the VOL ▲ ▼ buttons (00-46).

General Operation

Programmable Turn-On Volume	Press and hold PWR for 3 seconds to program currently selected volume level. "ON VOL" and the current volume level will momentarily appear in the display. The unit will return to this volume level anytime the unit turned on.
Loudness	Press LOUD to activate and deactivate loudness contour curve.
Subwoofer Output	Press and hold LOUD  for more than 2 seconds to activate the subwoofer output. The SUB icon will illuminate in the display anytime the subwoofer output is active.
Preset EQ Curves	Press EQ to select between POP, JAZZ, CLASSIC, BEAT, ROCK and OFF (default) equalization curves. Any adjustment to the Bass or Treble settings automatically cancels the current EQ curve (if one is selected).
Display	Press DISP to select between clock and radio frequency (tuner mode), clock and playback information (CD/MP3/WMA mode), or clock and AUX (AUX mode). Press and hold DISP for more than 2 seconds to select between clock and playback information (DVD mode).
Set the Clock	With the unit on, press and hold DISP until clock begins to flash, then release. Press ◀◀ to adjust the hours and ▶▶ to adjust the minutes. Press DISP momentarily to save the selected time. The clock can not be set in DVD mode.
12/24-hour Clock	The clock will display 12-hour AM/PM time in USA frequency spacing mode (PM 10:00). In European frequency spacing mode, the clock will display 24-hour time (22:00).
Programmable Display Priority	Press and hold DISP then press ▶▶ to select function display priority (default). "FUNC" will momentarily appear in the display. Radio frequency, disc playback information, or AUX is displayed by default. The clock is accessed by pressing DISP momentarily. Press and hold DISP then press ◀◀ to select time display priority. "TIME" will momentarily appear in the display. Clock will be displayed by default. Radio frequency, disc playback information, or AUX is displayed by pressing DISP momentarily.

General Operation - Audio Settings

Audio Adjustments Press **AUD** to select between Volume (default), Bass, Treble, Balance, Fader & Subwoofer (if activated).



Bass Press **AUD** until **BAS** appears
 Rotate encoder left/right or use the **VOL ▲ ▼** to adjust
 (-6 minimum / +6 maximum)

Treble Press **AUD** until **TRE** appears
 Rotate encoder left/right or use the **VOL ▲ ▼** to adjust
 (-6 minimum / +6 maximum)

Balance Press **AUD** until **BAL** appears
 Rotate encoder left/right or use the **VOL ▲ ▼** to adjust
 (BALL.12-BAL 00-BALR.12)
 BAL 00 represents equal balance

Fader Press **AUD** until **FAD** appears
 Rotate encoder left/right or use the **VOL ▲ ▼** to adjust
 (FADF.12-FAD 00-FADR.12)
 FAD 00 represents equal fader.

Subwoofer Output Level (When activated) Press **AUD** until **SUB** appears
 Rotate encoder left/right or use the **VOL ▲ ▼** to adjust
 (00 minimum / 12 maximum) Default output level is SUB 06.

Source Audio Memory Individual Bass and Treble settings are retained in memory for AM, FM, DVD and AUX modes. This allows you to save the Bass and Treble settings separately for each mode.

Example:

FM tuner mode can have Bass +3 and Treble -1 while DVD mode can have Bass +2 and Treble +2.

Note:

Any adjustment to the Bass or Treble settings automatically cancels the current EQ curve (if one is selected).

Mute Press **MUTE** to silence the audio. "MUTE" will flash in the display. Press **MUTE** or another button (except **OPEN** or **EJECT**) to cancel.

General Operation - Setup Menu

Audio/Video Menu	<p>Press MENU/AUD for more than 3 seconds to access the Audio/Video setup menu and adjust the following settings:</p> <div style="border: 1px solid black; padding: 5px; margin: 10px 0;"> <p style="text-align: center;">Beep - Rear View - Bright - Contrast - Color - Tint - SCR Saver</p> <p style="text-align: center;">↑</p> <p style="text-align: center;">Bass C-Freq. - Bass Q-Factor - Treble C-Freq. - Freq. OSD</p> </div>
Beep Confirmation	<p>Press MENU/AUD until Beep appears. Rotate encoder to turn the confirmation beep on or off.</p>
Rear View Image	<p>Press MENU/AUD until Rear View appears. Rotate encoder to select the V3 input to be mirrored (On) or normal (Off).</p>
TFT Brightness	<p>Press MENU/AUD until Bright appears. Rotate encoder to adjust (01 minimum / 30 maximum).</p>
TFT Contrast	<p>Press MENU/AUD until Contrast appears. Rotate encoder to adjust (01 minimum / 30 maximum).</p>
TFT Color	<p>Press MENU/AUD until Color appears. Rotate encoder to adjust (01 minimum / 30 maximum).</p>
TFT Tint	<p>Press MENU/AUD until Tint appears. Rotate encoder to adjust (01 minimum / 30 maximum).</p>
Note	<p>Color and Tint adjustments only affect AV1 and AV2 auxiliary inputs.</p>
TFT Screen Saver	<p>Press MENU/AUD until SCR Saver appears. Rotate encoder to turn the screen saver on or off.</p>
Bass Control Center Frequency	<p>Press MENU/AUD until Bass C-Freq. appears. Rotate encoder to select between 60Hz, 80Hz, 100Hz or 200Hz.</p>
Bass Control Q-Factor	<p>Press MENU/AUD until Bass Q-Factor appears. Rotate encoder to select between 1, 1.25, 1.5 or 2.</p>
Treble Control Center Frequency	<p>Press MENU/AUD until Treble C-Freq. appears. Rotate encoder to select between 10kHz, 12.5kHz, 15kHz or 17.5kHz.</p>
Tuner Frequency OSD	<p>Press MENU/AUD until Freq. OSD appears. Rotate encoder to select turn the frequency OSD on or off.</p>

AM/FM Tuner Operation

Seek Tuning	Press TUNE ◀◀ or TUNE ▶▶ momentarily to seek the next strong station.
Manual Tuning	Press TUNE ◀◀ or TUNE ▶▶ for more than 2 seconds, then release. "MANU" will momentarily appear in the display. Press TUNE ◀◀ or TUNE ▶▶ momentarily to move radio frequency up or down one step at a time. Press and hold to advance quickly. If tuning is not adjusted for 5 seconds, the unit will return to seek tuning mode (default) and "AUTO" will momentarily appear in the display.
Band	Press BAND to select between FM1, FM2, FM3 and AM1, AM2 bands.
Frequency Spacing	Press and hold BAND then press TUNE ◀◀ to select European frequency spacing. Press and hold BAND then press TUNE ▶▶ to select USA frequency spacing (default).
Storing and Recalling Station Presets	Up to 18 FM stations and 12 AM stations can be stored. To store a station, select the desired band and station. Press and hold the desired preset button (1-6) on the remote control for more than 2 seconds. When stored, the preset number will appear in the display. The station can be recalled anytime by pressing the corresponding preset button on the remote control.
Automatically Store Stations	Press AS/PS for more than 2 seconds to automatically store the six strongest stations in the current band. Automatic Local tuning is activated during the initial band scan.
Preset Scan	Press AS/PS for less than 2 seconds to scan presets 1-6 on the current band, pausing for 5 seconds at each. Press AS/PS again to cancel.

DVD Setup Menu

Access DVD Setup Menu

With a disc inserted, press **SETUP** to access DVD setup menu. Press **◀** or **▶** to select between menu pages and **▲/▼/◀/▶** to adjust settings and or levels. When selectable, the menu item will be highlighted in blue. The current setting is indicated by a **▶**.

Press **ENTER** to select/confirm each setting.

Exit Setup Menu

Press **SETUP** to save settings and exit the setup menu. Press **▶/||** to save settings and return to DVD playback.

Notes

Some DVD discs can be played only in certain playback modes according to the intentions of the software. As the XDVD8130 plays discs according to their intentions, some functions may not work as intended. Please be sure to read the instructions provided with each disc.

Language Setup Page

Press **◀** or **▶** to select **LANGUAGE** setup page and **▼** to select options.

OSD Menu Language

Press **▲** or **▼** to select your desired OSD menu language.

Disc Audio

Press **▲** or **▼** to select your desired disc audio language.

Disc Subtitle

Press **▲** or **▼** to select your desired disc subtitle language.

Disc Menu

Press **▲** or **▼** to select your desired disc menu language.

Language Setup Page



General Operation - DVD Setup Menu

- | | |
|---|--|
| <p><u>Display Setup Page</u></p>

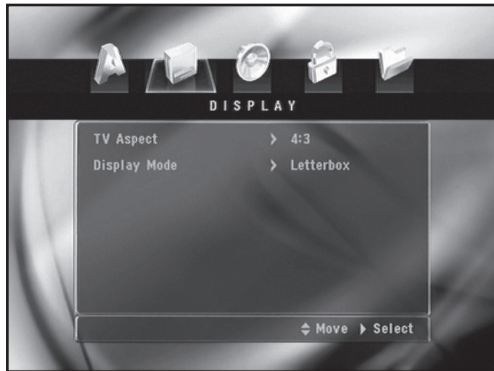
<p>TV Aspect</p>

<p>Display Mode</p> | <p>Press ◀ or ▶ to select DISPLAY setup page and ▼ to select options.</p>

<p>Press ▲ or ▼ to select 4:3 or 16:9. This option also affects the composite video output signal.</p>

<p>Press ▲ or ▼ to select Letterbox or Panscan. This option is only available when the aspect ratio is set to 4:3.</p> |
|---|--|

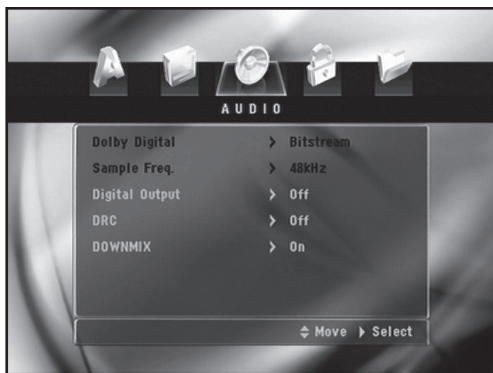
Display Setup Page



General Operation - DVD Setup Menu

<u>Audio Setup Page</u>	Press ◀ or ▶ to select AUDIO setup page and ▼ to select options.
Dolby Digital	Press ▲ or ▼ to select Bitstream or PCM . This option is only available when the Digital Output is turned on.
Sample Freq.	Press ▲ or ▼ to select 48kHz or 96kHz sampling frequency. This option is only available when the Digital Output is turned on.
Digital Output	Press ▲ or ▼ to select On or Off . The Digital Output must be turned on to select the Dolby Digital and Sampling Frequencies.
DRC (Dynamic Range Compression)	Press ▲ or ▼ to select On or Off .
Downmix	Press ▲ or ▼ to select On or Off .

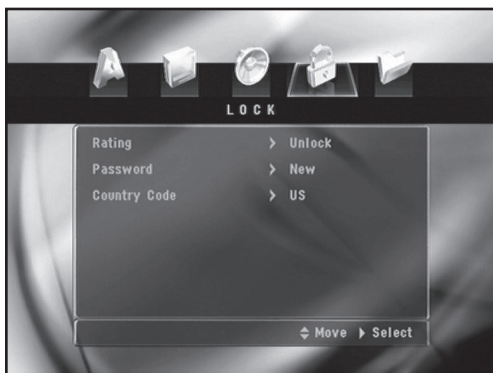
Audio Setup Page



DVD Setup Menu

<u>Lock Setup Page</u>	Press ◀ or ▶ to select LOCK setup page and ▼ to select options.
Rating (Parental Control)	Press ▲ or ▼ to select desired parental control level (default setting is Unlock). The Unlock setting provides no parental control. After a password is set, a password is required to change the parental controls setting. See below for details.
Password (Initial Setup)	Press ▲ or ▼ to select New . Enter a 4-digit password and press ENTER . Enter the 4-digit password again and press ENTER to VERIFY the password.
Password (Change Password)	Press ▲ or ▼ to select Change . Enter the current 4-digit password and press ENTER . Enter a new 4-digit password and press ENTER . Enter the 4-digit password again and press ENTER to VERIFY the new password.
Country Code	Press ▲ or ▼ to select County Code . A password is required to change the County Code. Enter the current password and press ENTER to confirm. If there is no stored password, enter a 4-digit password and press ENTER .

Lock Setup Page



DVD Setup Menu

Others Setup Page

Press ◀ or ▶ to select **OTHERS** setup page and ▼ to select options.

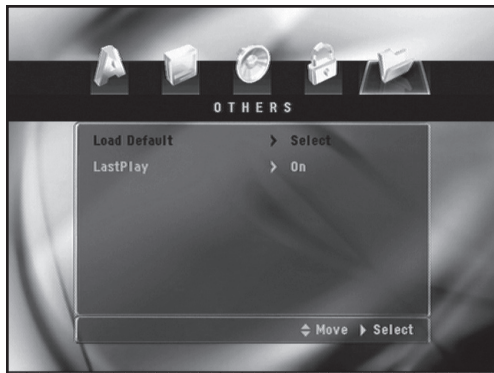
Load Default (Factory Settings)

Press ▶ to load default factory settings. The DVD must be fully stopped before loading the default factory settings. See page 20 for details.

Last Play

Press ▲ or ▼ to select **On** or **Off**. Selecting **Last Play On** will remember the DVD playback position (for up to 10 DVDs) after the DVD has been ejected and re-inserted.

Others Setup Page



DVD Operation

Insert Disc	Press EJECT to allow the rear panel to slide down. With the label facing up, insert a disc at least half way into the disc slot. The disc will auto-load and the rear panel will close. Some discs will play automatically when inserted.
Eject Disc	Press EJECT to allow the rear panel to slide down and eject the disc. If the disc is not removed within 10 seconds, the unit will reload the disc automatically. The unit does not have to be turned on.
Playback Start	In general, pressing ▶/ or ENTER will start disc playback. Some discs will play automatically when inserted. “⊘” may appear on the display during operation. “⊘” means that feature or operation is not permitted by the DVD player at this time.
Playback Stop	Press ■ momentarily. The unit will return to the start-up logo and display ■ . If ▶/ is pressed, the unit will resume operation from the last position in memory.
Playback Full Stop	Press ■ two times. The unit will return to the start-up logo and display ■ . If ▶/ is pressed, the unit will resume operation from the beginning of the disc.
Pause	Press ▶/ to temporarily stop playback. Press ▶/ to resume playback.
Chapter Select	Press ▶▶ to skip to the beginning of the next chapter. Press ◀◀ to return to the beginning of the current chapter. Pressing ◀◀ again skips to the beginning of the previous chapter.
Fast Forward and Reverse	Press ◀◀ or ▶▶ for more than 2 seconds to fast forward or fast reverse in 2, 4, 16 and 100 times modes. Press ▶/ to cancel fast forward or fast reverse. There is no audio output during the fast forward or reverse modes.

DVD Operation

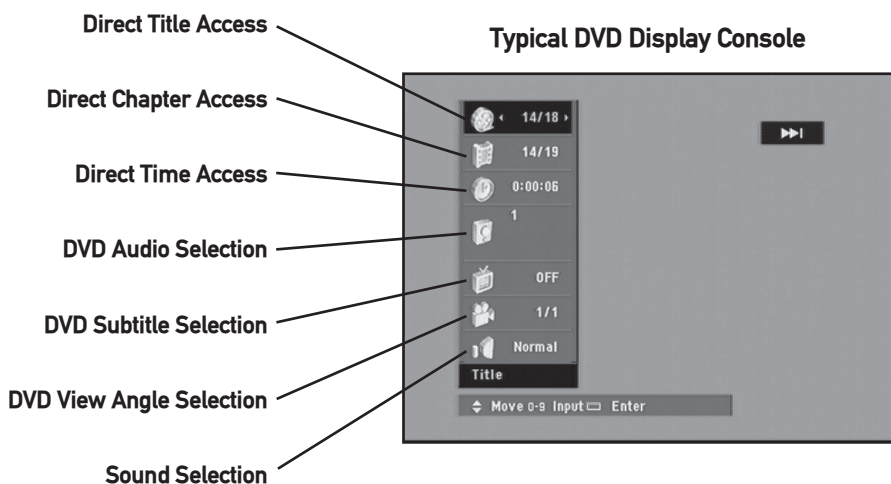
Slow	<p>Press SLOW to activate slow playback. Slow playback speed includes ▶ 1/32, 1/16, 1/8, 1/4, and 1/2. Press ▶/ to resume normal playback. There is no audio output during slow playback mode.</p>
Zoom	<p>Press ZOOM to increase the image size from 400% to 1600%. Press ▲/▼/◀/▶ while zooming to scroll the image.</p>
Repeat	<p>Press RPT once to repeat the current chapter. Press RPT twice to repeat the current title. Press RPT again to cancel repeat function.</p>
DVD Main Menu	<p>Press DVD MENU to select DVD main menu (root menu). Press ▲/▼/◀/▶ to select between menu settings and ENTER to select/confirm.</p>
Title Menu	<p>Press TITLE to show available titles. Press ▲/▼/◀/▶ to select between titles and ENTER to select/confirm.</p>
Selecting DVD Audio Language	<p>Press AUDIO while playing to switch between available audio languages.</p>
Selecting DVD Subtitle Language	<p>Press SUBTITLE while playing to switch between available subtitle languages.</p>
Selecting DVD View Angles	<p>Press ANGLE while playing to switch between available viewing angles.</p>

Notes:

The audio language, subtitle language and view angle features are only available when they are included on the disc. The language and subtitle functions may not work with some discs and they may require some time when selecting between them.

DVD Operation

DVD Display Console	Press DISP to access the DVD display console. Highlight desired menu item using ▲ or ▼ .
Direct Title Access	Press ◀ or ▶ to select desired title and press ENTER to select/confirm.
Direct Chapter Access	Press ◀ or ▶ to select desired chapter and press ENTER to select/confirm.
Optional Direct Title/Chapter Select Method	Enter desired title/chapter using the 1~0 buttons on the remote.
Direct Time Access	Enter desired time using the 1~0 buttons on the remote and press ENTER to select/confirm.
DVD Audio Language	Press ◀ or ▶ to select desired disc audio language.
DVD Subtitle Language	Press ◀ or ▶ to select desired disc subtitle language.
DVD View Angle	Press ◀ or ▶ to select desired disc angle.
Sound	Press ◀ or ▶ to select between NORMAL or 3D SURROUND .



CD Operation

Play	Insert a standard size CD into the disc slot. The CD will automatically begin playback when inserted. The currently playing track is shown in blue and highlighted in black.
Stop	Press ■ momentarily; the unit will stop and display ■ ■ ■ . Press ▶/ to resume operation from the last position in memory.
Full Stop	Press ■ two times; the unit will stop and display ■ . Press ▶/ to resume operation from the beginning of the disc.
Pause	Press ▶/ to temporarily stop playback. Press ▶/ to resume playback.
Track Select	Press ▶▶ to skip to the beginning of the next track. Press ◀◀ to return to the beginning of the current track. Pressing ◀◀ again skips to the beginning of the previous track.
Optional Track Select Method	Press ▲/▼ to select desired track and press ENTER to select/confirm.
Direct Track Access	Enter the desired track using the 1~0 buttons on the remote.
Fast Forward and Reverse	Press ◀◀ or ▶▶ for more than 2 seconds to fast forward or fast reverse in 2, 4, and 8 times modes. Press ▶/ to cancel fast forward or fast reverse.
Track Repeat	Press RPT to repeat the current track. Press RPT again to cancel repeat function.
Track Random	Press RDM to play all tracks in random order. Press RDM again to cancel. Random mode is retained in memory when selecting between modes and when the unit is turned on/off.
Note	Last Play On must be selected to retain Random mode. See page 19 for details.

CD Operation

Program Play

Press ▲ or ▼ to select desired track; press ► to highlight the additions/deletions column.



Press to add a single track to the Program playlist. Press **ENTER** to confirm.



Press to add all tracks to the Program playlist. Press **ENTER** to confirm.



Press to delete a single track from the Program playlist. Press **ENTER** to confirm.

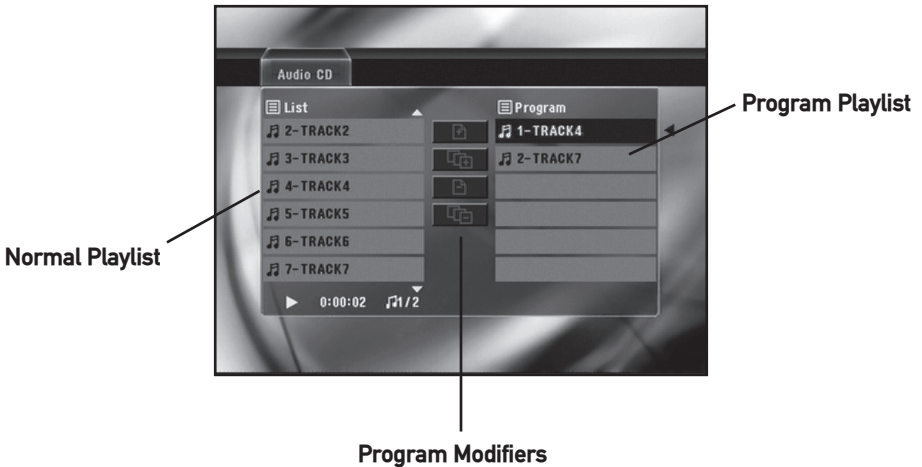


Press to delete all tracks from the Program playlist. Press **ENTER** to confirm.

Start Program Play

Press ► to highlight the Program playlist. Select desired starting track and press **ENTER** to start Program play.

Typical CD Playback Mode



MP3/WMA Operation

Playing an MP3/WMA disc

When an MP3/WMA encoded disc is first inserted, playback will automatically begin with the first file in the root folder or first folder (if there are no files in the root folder).

The current folder/filename information is displayed at the bottom of the screen.

MP3/WMA operation is similar to normal CD operation. See page 23 for details.



Press to navigate up one level.

Folder/File Repeat

Press **RPT** for more than 2 seconds to repeat the current folder. Press **RPT** again to repeat the current file. Press **RPT** again to cancel repeat function.

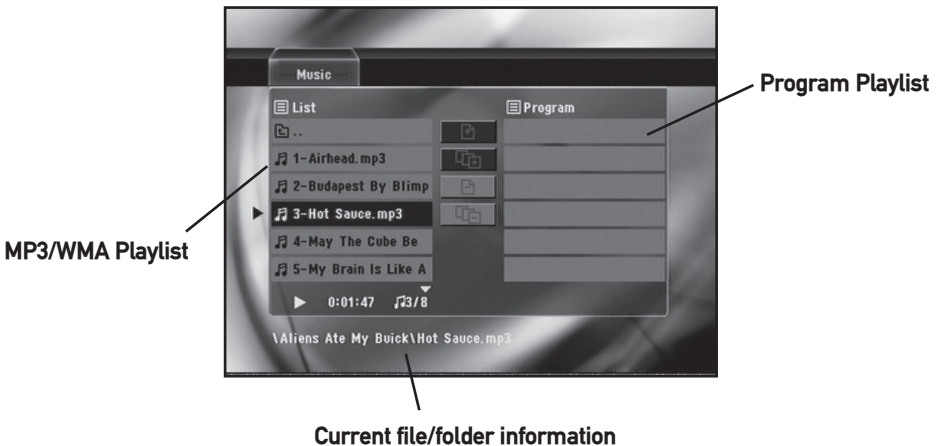
Track Random

Press **RDM** to play all files in the current folder in random order. Press **RDM** again to cancel. Random mode is retained in memory when selecting between modes and when the unit is turned on/off.

Note

Last Play On must be selected to retain Random mode. See page 19 for details.

Typical MP3/WMA Playback Mode



DVD/MP3/WMA Information

Media Compatibility

The following types of discs/files are compatible:

- CD-ROM (ISO), CD-R, CD-RW, DVD+R/RW, DVD-R/RW
- CD-DA , DVD Video
- MP3 data
- WMA data

The following types of discs/files are not compatible:

- WMA files that are protected by DRM (Digital Rights Management).
- WMA lossless format
- Discs recorded with Track At Once or packet writing
- MP3 PRO format
- MP3 playlists
- WAV format
- WMV format
- JPG format
- DivX format
- AVI format
- MPG format

Some recordable DVDs and CDs may be incompatible with this unit, depending on media type and recording method.

Playback Order

MP3/WMA playback sequence is based on recorded order of files and begins in the root folder of the disc. Any empty folders or folders that do not include MP3/WMA files are skipped. This unit may not play files in the order they were recorded in. Refer to your recording software's user's manual for more information.

Compatible Recording Formats

- ISO9660 level 1
- ISO9660 level 2
- Yellow Book MODE 1
- Yellow Book MODE 2 FORM 1
- Multi session
- Maximum files - 199
- Maximum folder levels - 8
- MPEG-1/2 Audio Layer-3

DVD/MP3/WMA Information

Additional MP3/WMA Information	<p>An internal buffer provides ESP (Electronic Skip Protection) to virtually eliminate skipping.</p> <p>When playing a disc recorded with regular audio files (CD-DA or .WAV) and MP3/WMA files, the unit will play the MP3/WMA files only.</p> <p>Only MP3 files with filename extension (.mp3) can be played. Only WMA files with filename extension (.wma) can be played.</p> <p>Do not attempt to play discs which contain non-MP3/WMA files with the MP3/WMA extension.</p>
Sampling Frequency Rates	<p>MP3 32kHz ~ 48kHz</p>
WMA	<p>32kHz ~ 48kHz</p>
Transfer Bit rates	<p>MP3 40kbps ~ 320kbps constant Variable bit rates</p>
WMA	<p>40kbps ~ 192 kbps constant Variable bit rates</p>
Notes	<p>Some files may not play or be displayed correctly, depending on sampling rates and bit rates. When playing discs recorded with both .mp3 and .wma files, only the MP3 icon and "MP3" will be shown in the rear LCD.</p>
MP3/WMA Tag Display	<p>This model will not display MP3/WMA tag information.</p>
Recommended Settings	<p>For best results, use the following settings when burning an MP3 disc: 128kbps or higher constant bit rate 44.1kHz or higher sampling frequency</p> <p>For best results, use the following settings when burning a WMA disc: 64kbps or higher constant bit rate 32kHz or higher sampling frequency</p>

Navigation/Auxiliary Input Modes

NAVI Mode Press **NAVI** to select navigation mode (only available when connected to the XNAV9525 navigation system). The voice guidance and MP3 audio is routed to the left front channel by default. When a voice command is executed, the audio will mute to allow the voice command to be heard.

Press **NAVI** for more than 2 seconds to select between viewing the navigation map and current video source. This option allows the navigation to operate while viewing the CD, MP3 or WMA OSD menu.

The voice guidance and MP3 audio can be routed to all channels if desired. Press and hold **NAVI**, then press **LOUD** to select between the left front and all channels. "ALL CH" will momentarily appear in the display. Refer to the XNAV9525 owner's manual for more information.

AUX Mode Select **AUX** mode first using the **MODE** button. Press **VID** to select between OFF, AV1, AV2 and V3 modes. Modes of operation are indicated in the display.

Selecting **OFF** turns off the TFT display (if the Screen Saver is also turned off). See page 13 for details.

- Notes**
- The vehicle must be in park and the parking brake applied to view video on the in-dash monitor.
 - As a safety feature, "Picture Off For Your Safety" will appear on the display for 5 seconds anytime the vehicle's parking brake is not engaged. AV1 and AV2 audio can be heard while the vehicle is in motion.

External Video Output The selected AV source can be viewed on an external monitor (sold separately).

V3 CAM (Rear Camera Input) When reverse gear is selected (and the White/Brown lead is connected to the reverse lamp circuit), the XDVD8130 will automatically select V3 mode to allow the driver to monitor a video camera (sold separately) connected to the V3 input.

The V3 image can be displayed normal or mirrored. See page 13 for more details.

Limited One Year Warranty

This warranty gives you specific legal rights. You may also have other rights which vary from state to state.

Dual Electronics Corp. warrants this product to the original purchaser to be free from defects in material and workmanship for a period of one year from the date of the original purchase.

Dual Electronics Corp. agrees, at our option, during the warranty period, to repair any defect in material or workmanship or to furnish an equal new, renewed or comparable product (whichever is deemed necessary) in exchange without charges, subject to verification of the defect or malfunction and proof of the date of purchase. Subsequent replacement products are warranted for the balance of the original warranty period.

Who is covered? This warranty is extended to the original retail purchaser for products purchased and used in the U.S.A.

What is covered? This warranty covers all defects in material and workmanship in this product. The following are not covered: installation/removal costs, damage resulting from accident, misuse, abuse, neglect, product modification, improper installation, incorrect line voltage, unauthorized repair or failure to follow instructions supplied with the product, or damage occurring during return shipment of the product.

What to do?

1. Before you call for service, check the troubleshooting guide in your owner's manual. A slight adjustment of any custom controls may save you a service call.
2. If you require service during the warranty period, you must carefully pack the product (preferably in the original package) and ship it by prepaid transportation with a copy of the original receipt from the retailer to an authorized service center.
3. Please describe your problem in writing and include your name, a return UPS shipping address (P.O. Box not acceptable), and a daytime phone number with your shipment.
4. For more information and for the location of the nearest authorized service center please contact us by one of the following methods:

- Call us toll-free at 1-866-382-5476
- E-mail us at cs@dualav.com

Exclusion of Certain Damages: This warranty is exclusive and in lieu of any and all other warranties, expressed or implied, including without limitation the implied warranties of merchantability and fitness for a particular purpose and any obligation, liability, right, claim or remedy in contract or tort, whether or not arising from the company's negligence, actual or imputed. No person or representative is authorized to assume for the company any other liability in connection with the sale of this product. In no event shall the company be liable for indirect, incidental or consequential damages.

Troubleshooting

Problem	Cause	Action
Unit will not turn on (no power)	Yellow wire not connected or incorrect voltage Red wire not connected or incorrect voltage	Check connections for proper voltage (11~16VDC)
	Black wire not connected	Check connection to ground
	Fuse blown	Replace fuse
Unit has power (but no sound)	Speaker wires not connected	Check connections at speakers
	One or more speaker wires touching each other or touching chassis ground	Insulate all bare speaker wires from each other and chassis ground
Unit blows fuse	Yellow or red wire touching chassis ground	Check for pinched wire
	Speaker wires touching chassis ground	Check for pinched wire
	Incorrect fuse rating	Use fuse with correct rating
Unit has audio (but no video)	Parking brake safety circuit not connected Parking brake not applied	Check connections at parking brake Apply parking brake
No subwoofer output or low subwoofer output	Subwoofer mode is not active Subwoofer output level is turned down	Activate subwoofer mode - see page 11 Increase subwoofer output level
No V3 video display (when in reverse)	Reverse circuit not connected Vehicle is not in reverse	Check connections at reverse lamp Select reverse gear
IR remote does not work	Dead batteries Remote set to control wrong model	Replace batteries Select XDVD8130 - see page 9
Excessive skipping	Unit is not mounted correctly or backstrap is not secure	Check mounting sleeve and backstrap support
	Physical defect in media	Check media for scratches
ERROR-01 appears on display	Disc mechanism error	Press eject or RESET
ERROR-02 appears on display	Focus error or disc is in upside down	Press eject or RESET
ERROR-03 appears on display	Region code error	Use only DVDs labeled "Region 1" or "All" only
Unit will not accept a disc	Disc mechanism position out of alignment	Press EJECT for 3 seconds to reset disc mechanism position
	Disc mechanism transit screws still in place	Remove 2 transit screws located on top of the unit

Copyright Notes

This product incorporates copyright protection technology that is protected by method claims of certain U.S. patents and other intellectual property rights owned by Macrovision Corporation and other rights owners. Use of this copyright protection technology must be authorized by Macrovision Corporation, and is intended for home and other limited viewing uses only unless otherwise authorized by Macrovision Corporation. Reverse engineering or disassembly is prohibited.

Manufactured under license from Dolby Laboratories. "Dolby" and the double-D symbol are trademarks of Dolby Laboratories.

Windows Media and the Windows logo are trademarks, or registered trademarks of Microsoft Corporation in the United States and/or other countries.

Specifications

DVD Player	Frequency response: 10Hz-20kHz Channel separation @ 1kHz: >65dB D/A converter: 24 Bit
FM Tuner	Tuning range: 87.5MHz-107.9MHz Usable sensitivity: 8.5dBf 50dB quieting sensitivity: 10dBf Stereo separation @ 1kHz: 40dB Frequency response: 30Hz-13kHz
AM Tuner	Tuning range: 530kHz-1710kHz Usable sensitivity: 22uV Frequency response: 30Hz-2.2kHz
Monitor	Panel size: 2.5" (63.5 mm) diagonal measurement View angle (up/down/left/right): 15/40/50/50 Resolution: 480 x R.G.B x 234 Brightness (cd/m ²): 250 Contrast ratio: 150:1 Elements: 336.960
General	Operating voltage: 11-16 VDC, negative ground Speaker output impedance: 4~8 ohms Line output voltage: 2 Volts Line output impedance: 200 ohms Chassis dimensions: 7" x 6.5" x 2" (178 x 165 x 51 mm) Faceplate dimensions: 6.69" x 1.25" x 2.38" (170 x 32 x 60 mm)

Design and specifications subject to change without notice.



CEA-2006 Power Standard Specifications (reference: 14.4VDC +/- 0.2V, 20Hz~20kHz)

Power Output: 17 Watts RMS x 4 channels at 4 ohms and $\leq 1\%$ THD+N
Signal to Noise Ratio: 80dBA (reference: 1 watt into 4 ohms)



Dual Electronics Corp.
Toll Free: 1-866-382-5476

www.dualav.com

©2006 Dual Electronics Corp. All rights reserved.
NSA0206-V01

Download from Www.Somanuals.com. All Manuals Search And Download.

Free Manuals Download Website

<http://myh66.com>

<http://usermanuals.us>

<http://www.somanuals.com>

<http://www.4manuals.cc>

<http://www.manual-lib.com>

<http://www.404manual.com>

<http://www.luxmanual.com>

<http://aubethermostatmanual.com>

Golf course search by state

<http://golfingnear.com>

Email search by domain

<http://emailbydomain.com>

Auto manuals search

<http://auto.somanuals.com>

TV manuals search

<http://tv.somanuals.com>