

# MXC22

## INSTALLATION/OWNER'S MANUAL

AM/FM/Cassette Marine Receiver





## Preparation

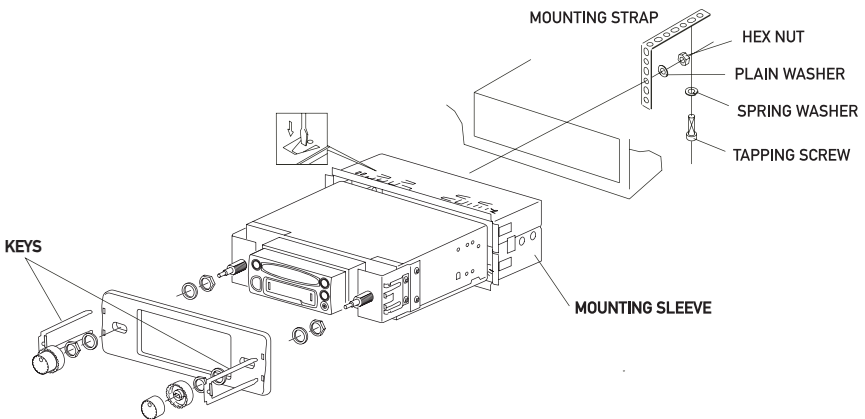
Please read entire manual before installation.

### Before You Start

- Disconnect negative battery terminal.  
(consult a qualified technician for instructions)
- Avoid installing the unit where it would be subject to high temperatures, such as from direct sunlight, or where it would be subject to dust, dirt or excessive vibration.

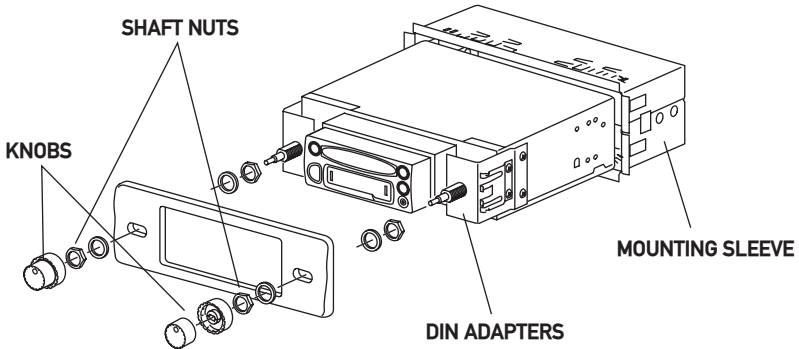
### Getting Started

- Insert the supplied keys into the slots as shown, and slide the unit out of the mounting sleeve.
- DIN mounting procedure:  
Install mounting sleeve into radio opening, bending tabs to secure.
- 2-Shaft mounting procedure:  
Remove knobs, faceplate and DIN mounting adapters from unit.  
Install unit into kit or radio opening from behind. Adjust rear shaft nuts to correct depth. Install faceplate and knobs.
- Certain applications may require an installation kit and/or wiring harness adapter (sold separately).

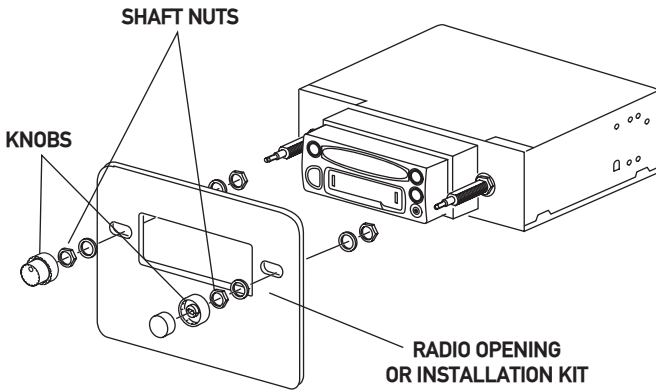


# Installation

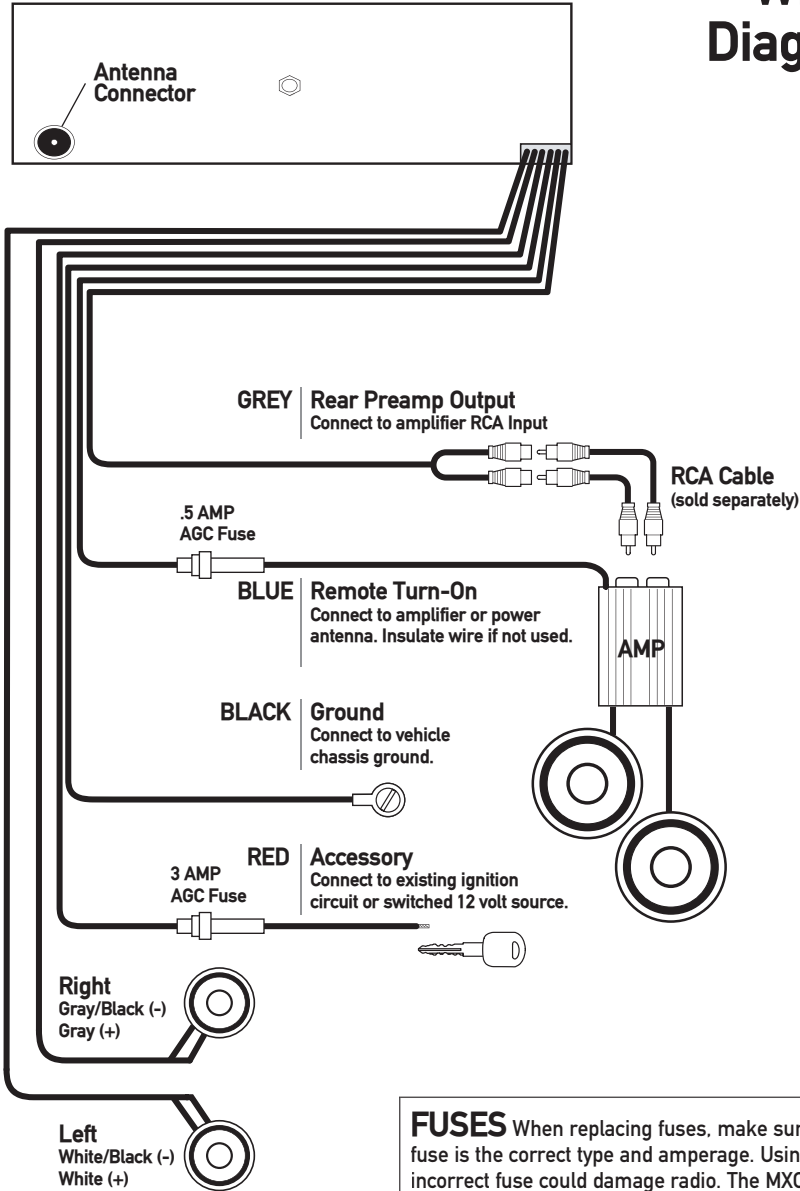
## Typical DIN Mounting



## Typical 2-Shaft Mounting

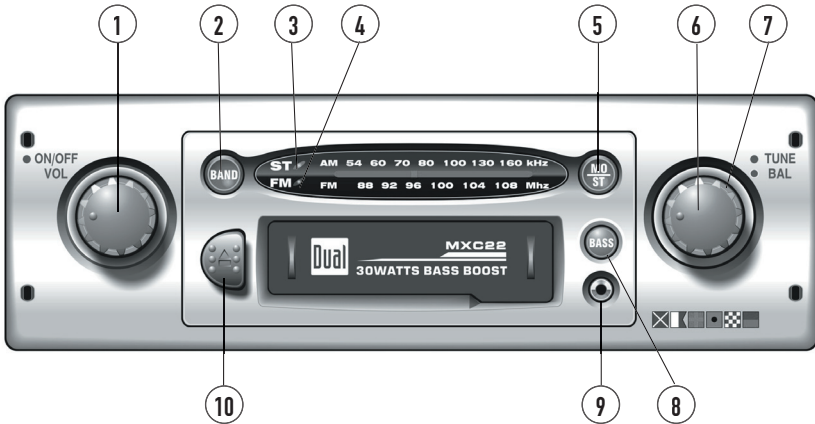


## Wiring Diagram



**FUSES** When replacing fuses, make sure new fuse is the correct type and amperage. Using an incorrect fuse could damage radio. The MXC22 uses one 3 amp AGC fuse (Ignition) and one .5 amp AGC fuse (Remote turn-on) located in-line.

## Control Locations



- |                    |                      |
|--------------------|----------------------|
| ① Power/Volume     | ⑥ Tuning             |
| ② Band             | ⑦ Balance            |
| ③ Stereo Indicator | ⑧ Bass Boost         |
| ④ FM Indicator     | ⑨ Auxiliary Input    |
| ⑤ Mono/Stereo      | ⑩ Eject/Fast Forward |

## General Operation

### Power On/Off

Turn **POWER** knob clockwise to turn the unit on. Turn **POWER** knob counter-clockwise until a click is heard to turn the unit off.

### Cassette Mode

Insert a cassette to begin playback.

### Tuner Mode

Turn **POWER** knob clockwise or eject cassette to begin or resume tuner operation.

### Auxiliary Mode

Insert a standard 3.5 mm (line or headphone output) plug into the auxiliary input to listen to a portable CD or MP3 player.



## **General Operation** (continued)

<b>Bass Boost</b>	Press <b>BASS</b> to activate and deactivate bass boost curve. Activating this feature will enhance the bass frequencies when listening to music at low volumes.
<b>Volume</b>	Adjust volume by turning <b>VOL</b> knob clockwise or counter-clockwise.
<b>Balance</b>	Adjust balance by turning <b>BAL</b> knob clockwise or counter-clockwise.

## **Tuner Operation**

<b>Tuning</b>	Turn <b>TUNE</b> knob to select desired station.
<b>FM Mono/Stereo</b>	Press <b>MO/ST</b> during FM tuner operation to select mono or stereo reception of the broadcast signal. The FM stereo LED indicator illuminates during FM stereo reception.
<b>Band</b>	Press <b>BAND</b> to select between FM and AM bands. The FM LED indicator illuminates when FM is selected.

## **Cassette Player Operation**

<b>Insert Cassette</b>	Insert a standard audio cassette into the cassette slot. The cassette will automatically begin playback.
<b>Eject</b>	Press the <b>EJECT</b> button all the way in to stop and eject the cassette. The unit will change to tuner mode.
<b>Fast Forward</b>	Press the <b>EJECT</b> button half way in to fast forward. Press <b>EJECT</b> again to resume playback.

# Limited One Year Warranty

This warranty gives you specific legal rights. You may also have other rights which vary from state to state.

Dual Electronics Corp. warrants this product to the original purchaser to be free from defects in material and workmanship for a period of one year from the date of the original purchase.

Dual Electronics Corp. agrees, at our option, during the warranty period, to repair any defect in material or workmanship or to furnish an equal new, renewed or comparable product (whichever is deemed necessary) in exchange without charges, subject to verification of the defect or malfunction and proof of the date of purchase. Subsequent replacement products are warranted for the balance of the original warranty period.

**Who is covered?** This warranty is extended to the original retail purchaser for products purchased and used in the U.S.A.

**What is covered?** This warranty covers all defects in material and workmanship in this product. The following are not covered: installation/removal costs, damage resulting from accident, misuse, abuse, neglect, product modification, improper installation, incorrect line voltage, unauthorized repair or failure to follow instructions supplied with the product, or damage occurring during return shipment of the product.

## What to do?

1. Before you call for service, check the troubleshooting guide in your owner's manual. A slight adjustment of any custom controls or connections discussed in your instruction booklet may save you a service call.
2. If you require service during the warranty period, you must carefully pack the product (preferably in the original package) and ship it by prepaid transportation with a copy of the original receipt from the retailer to an authorized service center.
3. Please describe your problem in writing and include your name, a return UPS shipping address (P.O. Box not acceptable), and a daytime phone number with your shipment.
4. For more information and for the location of the nearest authorized service center please contact us by one of the following methods:

Call us toll-free at 1-866-382-5476  
Email us at [cs@dualav.com](mailto:cs@dualav.com)

**Exclusion of Certain Damages:** This warranty is exclusive and in lieu of any and all other warranties, expressed or implied, including without limitation the implied warranties of merchantability and fitness for a particular purpose and any obligation, liability, right, claim or remedy in contract or tort, whether or not arising from the company's negligence, actual or imputed. No person or representative is authorized to assume for the company any other liability in connection with the sale of this product. In no event shall the company be

# Specifications

<b>Cassette Player</b>	Signal-to-noise: <b>&gt;40dB</b> Frequency response: <b>60Hz-6.3kHz, ±3dB</b>
<b>FM Tuner</b>	Tuning range: <b>87.5MHz-107.9MHz</b> Frequency response: <b>30Hz-13kHz, ±3dB</b>
<b>AM Tuner</b>	Tuning range: <b>530kHz-170kHz</b> Frequency response: <b>80Hz-2kHz, ±3dB</b>
<b>General</b>	Total system power: <b>30 Watts Peak</b> Power output: <b>15Wx2 @ 14.4 VDC</b> Power supply: <b>11-16 VDC, negative ground</b> Speaker output impedance: <b>4 ohms</b> Fuses: <b>3 amp fast blow AGC, .5 amp fast blow AGC</b> Dimensions: <b>7.5" x 7" x 2.38" (191 x 178 x 60 mm)</b>

Design and specifications subject to change without notice



Dual Electronics Corp.  
21318 64th Ave. South  
Kent, WA 98032  
Toll Free: 1-866-382-5476

[www.dualav.com](http://www.dualav.com)

©2005 Dual Electronics Corporation. All rights reserved.  
NSA0705-V01



## Free Manuals Download Website

<http://myh66.com>

<http://usermanuals.us>

<http://www.somanuals.com>

<http://www.4manuals.cc>

<http://www.manual-lib.com>

<http://www.404manual.com>

<http://www.luxmanual.com>

<http://aubethermostatmanual.com>

Golf course search by state

<http://golfingnear.com>

Email search by domain

<http://emailbydomain.com>

Auto manuals search

<http://auto.somanuals.com>

TV manuals search

<http://tv.somanuals.com>