



# XD5125

---

## INSTALLATION/OWNER'S MANUAL

### AM/FM/CD Receiver

COMPACT  
**disc**  
DIGITAL AUDIO





# Preparation

Please read entire manual before installation.

### Before You Start

- Disconnect negative battery terminal. Consult a qualified technician for instructions.
- Avoid installing the unit where it would be subject to high temperatures, such as from direct sunlight, or where it would be subject to dust, dirt or excessive vibration.

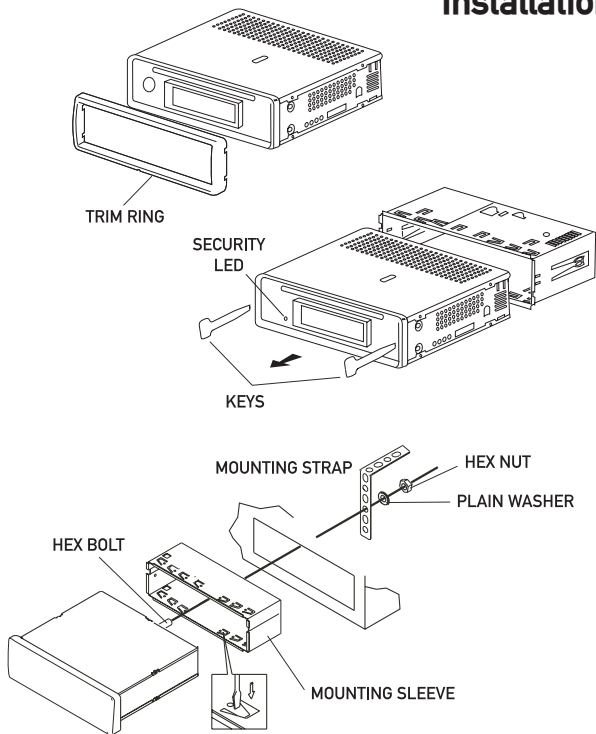
### Getting Started

- Remove 2 transit screws located on top of the unit.
- Remove trim ring by pulling up gently in the center.
- Insert the supplied keys into the slots as shown, and slide the unit out of the mounting sleeve.
- Install mounting sleeve into opening, bending tabs to secure.
- Connect wiring harness and antenna. Consult a qualified technician if you are unsure.
- Certain vehicles may require an installation kit and/or wiring harness adapter (sold separately).
- Test for correct operation and slide into mounting sleeve to secure.
- Snap trim ring into place.

# XD5125 INSTALLATION



## Installation

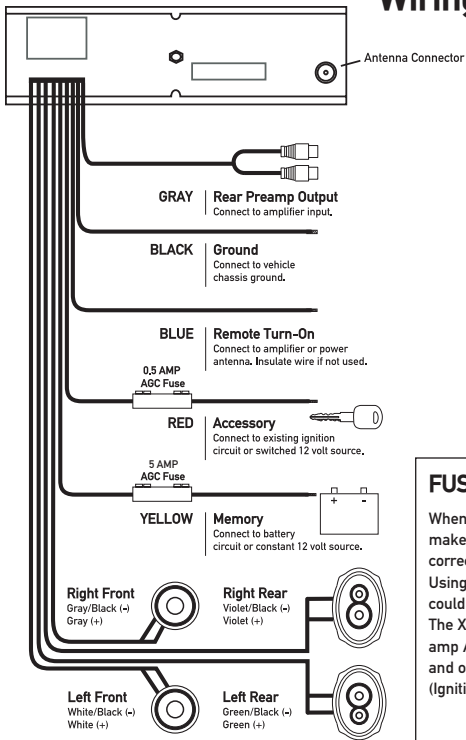


### TYPICAL MOUNTING METHOD



## XD5125 INSTALLATION

### Wiring Diagram

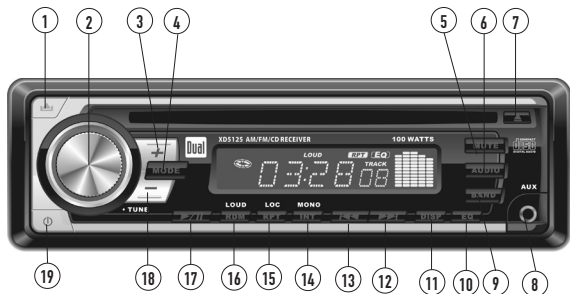


#### FUSES

When replacing fuses, make sure new fuse is the correct type and amperage. Using an incorrect fuse could damage the radio. The XD5125 uses one 5 amp AGC fuse (Battery) and one 0.5 amp AGC fuse (Ignition) located in-line.

\* Caution - Do not attach any speaker leads to ground as severe damage will occur.

## Control Locations



- |                   |                            |
|-------------------|----------------------------|
| ① Release         | ⑩ EQ                       |
| ② Tuning          | ⑪ Display                  |
| ③ Volume Up       | ⑫ Track Up                 |
| ④ Mode            | ⑬ Track Down               |
| ⑤ Mute            | ⑭ Mono/Stereo/CD Intro     |
| ⑥ Audio           | ⑮ Local/Distance/CD Repeat |
| ⑦ Eject           | ⑯ Loudness/CD Random       |
| ⑧ Auxiliary Input | ⑰ Play/Pause               |
| ⑨ Band            | ⑱ Volume Down              |
|                   | ⑲ Power                    |



# General Operation

<b>Faceplate Removal</b>	Press <b>RELEASE</b> and pull away from the left side to remove. To re-install, insert right side of faceplate first then push left side to secure.
<b>Power On/Off</b>	Press <b>POWER</b> to turn the unit on. Inserting a CD will turn the unit on automatically. Press <b>POWER</b> to turn the unit off.
<b>Mode</b>	Press <b>MODE</b> to select between AM/FM, CD player or auxiliary input. Modes of operation are indicated in the display.  <b>Note:</b> CD only appears when a CD is inserted.
<b>Loudness</b>	Press <b>LOUD</b> to activate and deactivate bass boost curve. Activating this feature will enhance the bass frequencies when listening to music at all volumes.  <b>Note:</b> The instructions above apply to Tuner and Auxiliary input modes. To activate/deactivate the Loudness feature while in CD mode, press and hold <b>LOUD</b> for more than 2 seconds.
<b>Volume</b>	Press <b>VOLUME +</b> or <b>VOLUME -</b> to adjust volume (0-63).
<b>Mute</b>	Press <b>MUTE</b> to silence the audio. Press <b>MUTE</b> again to cancel.
<b>Display</b>	Press <b>DISP</b> to display the clock for five seconds. The radio frequency (tuner mode) or CD elapsed time/track (CD player mode) show by default.
<b>Auxiliary Input</b>	Insert 3.5 mm plug to connect your portable audio device.

## General Operation

### Set the Clock

Press and hold **DISP** until the clock begins to flash, then release. Press **TRACK I◀◀** to adjust the hours and **TRACK ▶▶I** to adjust the minutes. Press **DISP** momentarily to save the selected time.

### Preset EQ Curves

Press **EQ** to select between **POP**, **CLASSIC**, **ROCK** and **OFF** (default) equalization curves. The Bass and Treble settings are not adjustable when an EQ curve is selected.

### Audio

Press **AUDIO** to select between Volume (default), Bass, Treble, Balance & Fader.

→VOLUME →BASS→TREBLE→BALANCE→FADER

### Bass

Press **AUDIO** until **BAS** appears.  
Press **VOL -** or **+** to adjust.  
(-7 minimum / 7 maximum)

### Treble

Press **AUDIO** until **TRE** appears.  
Press **VOL -** or **+** to adjust.  
(-7 minimum / 7 maximum)

### Balance

Press **AUDIO** until **BAL** appears.  
Press **VOL - (LEFT)** or **+(RIGHT)** to adjust.  
(BA.L 10/BA.R 10) BAL 0 represents equal balance.

### Fader

Press **AUDIO** until **FAD** appears.  
Press **VOL - (FRONT)** or **+(REAR)** to adjust.  
(FA.F 10/FA.R 10) FAD 0 represents equal fader.



### Tuner Operation

<b>Tuning</b>	Turn the rotary encoder to tune the unit up or down and select the desired station.
<b>FM Mono/Stereo</b>	Press <b>MONO</b> during FM tuner operation to select mono or stereo (default) reception of the broadcast signal.
<b>Local/Distance</b>	Press <b>LOC</b> during FM tuner operation to activate local tuning for strong station reception only. Press <b>LOC</b> again to cancel and resume Distance tuning (default).
<b>Band</b>	Press <b>BAND</b> to select between FM and AM bands.



## CD Player Operation

<b>Insert CD</b>	With the label facing up, insert a disc into the CD slot. The CD will automatically begin playback.
<b>Eject CD</b>	Press the <b>EJECT</b> button to stop and eject CD. The unit will change to tuner mode. If the disc is not removed within 10 seconds, the unit will reload the disc.
<b>Track Select</b>	Press <b>TRACK ►►</b> to skip to the beginning of the next track. Press <b>TRACK ◄◄</b> to return to the beginning of the current track. Pressing <b>TRACK ◄◄</b> again skips to the beginning of the previous track.
<b>Fast Forward and Reverse</b>	Press and hold <b>TRACK ►►</b> or <b>TRACK ◄◄</b> to fast forward or reverse a track.
<b>Pause</b>	Press <b>►/  </b> to temporarily stop CD playback. Press <b>►/  </b> again to resume playback.
<b>Intro</b>	Press <b>INT</b> to play the first 10 seconds of each track. Press <b>INT</b> to cancel.
<b>Repeat</b>	Press <b>RPT</b> to continuously repeat selected track. Press <b>RPT</b> to cancel.
<b>Random</b>	Press <b>RDM</b> to play all tracks in random order. Press <b>RDM</b> again to cancel.
<b>Loudness</b>	Press <b>LOUD</b> for more than two seconds to activate/deactivate the Loudness feature during CD play.
<b>CD-R/CD-RW Compatibility</b>	Some CD-Rs and CD-RWs may be incompatible with this unit, depending on media type and recording method.



## XD5125 WARRANTY

# Limited One Year Warranty

This warranty gives you specific legal rights. You may also have other rights which vary from state to state.

Dual Electronics Corp. warrants this product to the original purchaser to be free from defects in material and workmanship for a period of one year from the date of the original purchase.

Dual Electronics Corp. agrees, at our option, during the warranty period, to repair any defect in material or workmanship or to furnish an equal new, renewed or comparable product (whichever is deemed necessary) in exchange without charges, subject to verification of the defect or malfunction and proof of the date of purchase. Subsequent replacement products are warranted for the balance of the original warranty period.

**Who is covered?** This warranty is extended to the original retail purchaser for products purchased and used in the U.S.A.

**What is covered?** This warranty covers all defects in material and workmanship in this product. The following are not covered: installation/removal costs, damage resulting from accident, misuse, abuse, neglect, product modification, improper installation, incorrect line voltage, unauthorized repair or failure to follow instructions supplied with the product, or damage occurring during return shipment of the product.

### What to do?

1. Before you call for service, check the troubleshooting guide in your owner's manual. A slight adjustment of any custom controls may save you a service call.
2. If you require service during the warranty period, you must carefully pack the product (preferably in the original package) and ship it by prepaid transportation with a copy of the original receipt from the retailer to an authorized service center.
3. Please describe your problem in writing and include your name, a return UPS shipping address (P.O. Box not acceptable), and a daytime phone number with your shipment.
4. For more information and for the location of the nearest authorized service center please contact us by one of the following methods:
  - Call us toll-free at 1-866-382-5476
  - E-mail us at [cs@dualav.com](mailto:cs@dualav.com)

**Exclusion of Certain Damages:** This warranty is exclusive and in lieu of any and all other warranties, expressed or implied, including without limitation the implied warranties of merchantability and fitness for a particular purpose and any obligation, liability, right, claim or remedy in contract or tort, whether or not arising from the company's negligence, actual or imputed. No person or representative is authorized to assume for the company any other liability in connection with the sale of this product. In no event shall the company be liable for indirect, incidental or consequential damages.

## Specifications

<b>CD Player</b>	<p>Frequency response: <b>20Hz-20kHz</b>            Channel separation @ 1kHz: <b>&gt;50dB</b>            D/A converter: <b>1 Bit</b></p>
<b>FM Tuner</b>	<p>Tuning range: <b>87.5MHz-107.9MHz</b>            Usable sensitivity: <b>15dBf</b>            50dB quieting sensitivity: <b>23dBf</b>            Stereo separation @ 1kHz: <b>25dB</b>            Frequency response: <b>80Hz-10kHz</b></p>
<b>AM Tuner</b>	<p>Tuning range: <b>530kHz-1720kHz</b>            AM sensitivity: <b>30uV</b>            Frequency response: <b>80Hz-1.8kHz</b></p>
<b>General</b>	<p>Operating voltage: <b>11-16 VDC, negative ground</b>            Speaker output impedance: <b>4~8 ohms</b>            Fuses: <b>0.5 amp fast blow AGC, 5 amp fast blow AGC</b>            Dimensions: <b>7" x 7" x 2" (178 x 178 x 51 mm)</b></p> <p>Design and specifications subject to change without notice.</p>



### CEA-2006 Power Standard Specifications (reference: 14.4VDC +/- 0.2V, 20Hz~20kHz)

Power Output: 5 Watts RMS x 4 channels at 4 ohms and  $\leq 1\%$  THD+N  
 Signal to Noise Ratio: 80dBA (reference: 1 watt into 4 ohms)



## XD5125 OPERATION

# Troubleshooting

Problem	Cause	Action
Unit will not turn on (no power)	Yellow or red wire not connected or incorrect voltage	Check connections for proper voltage (11~16VDC)
	Black wire not connected	Check connection to ground
	Fuse blown	Replace fuse
Unit has power (but no sound)	Speaker wires not connected	Check connections at speakers
	One or more speaker wires touching each other or touching chassis ground	Insulate all bare speaker wires from each other and chassis ground
Unit blows fuses	Yellow or red wire touching chassis ground	Check for pinched wire
	Speaker wires touching chassis ground	Check for pinched wire
	Incorrect fuse rating	Use fuse with correct rating
Excessive skipping	Unit is not mounted correctly or backstrap is not secure	Check mounting sleeve and backstrap support
	Physical defect in media (CD, CD-R or CD-RW)	Check media for scratches
Err appears on display	Load/Eject operation error or disc is in upside down	Press eject

Dual Electronics Corp.  
Toll Free: 1-866-382-5476

[www.dualav.com](http://www.dualav.com)

©2007 Dual Electronics Corp. All rights reserved.

Download from [Www.Somanuals.com](http://Www.Somanuals.com). All Manuals Search And Download.

## Free Manuals Download Website

<http://myh66.com>

<http://usermanuals.us>

<http://www.somanuals.com>

<http://www.4manuals.cc>

<http://www.manual-lib.com>

<http://www.404manual.com>

<http://www.luxmanual.com>

<http://aubethermostatmanual.com>

Golf course search by state

<http://golfingnear.com>

Email search by domain

<http://emailbydomain.com>

Auto manuals search

<http://auto.somanuals.com>

TV manuals search

<http://tv.somanuals.com>