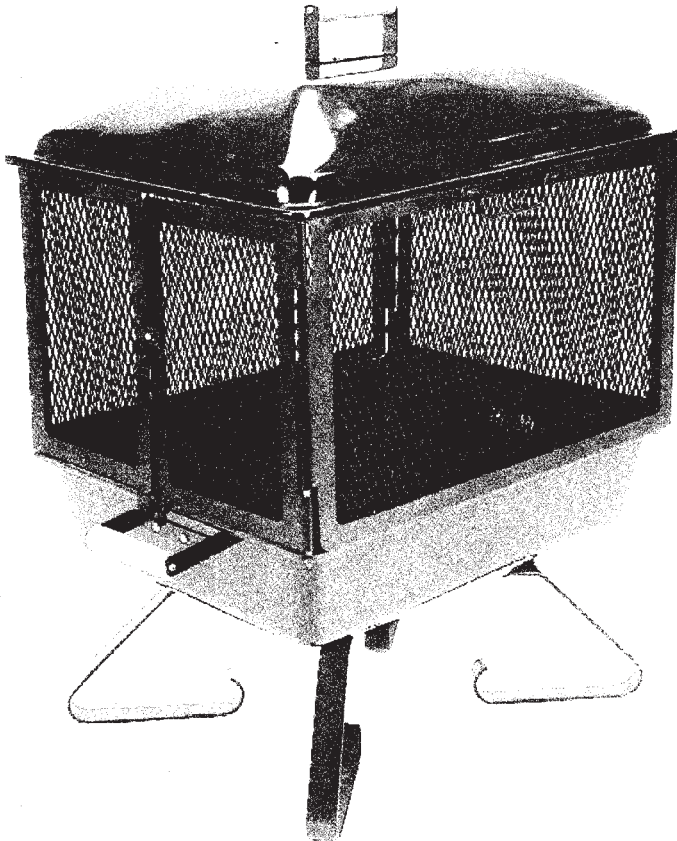




Assembly and Instruction Manual



Outdoor Fireplace
model 5067-700



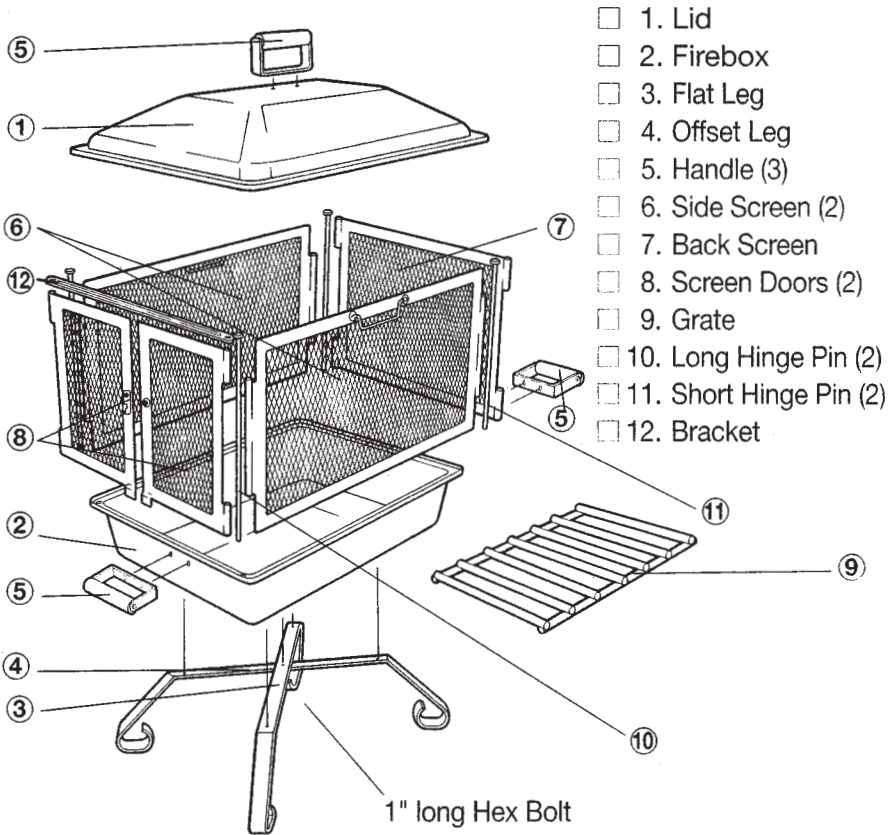
FOLLOW INSTRUCTIONS AND WARNINGS TO AVOID FIRE, SERIOUS INJURY OR DEATH.

⚠ WARNING

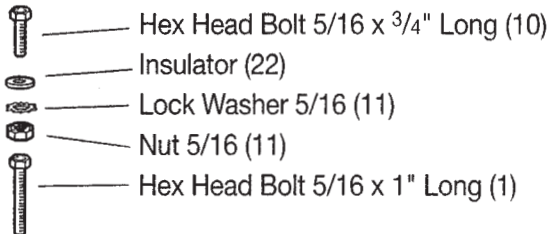
- Outdoor use only. Never use in enclosed area. Use in unventilated areas will endanger your life.
- Keep away from all combustible materials including gasoline and other flammable liquids and vapors.
- Use on a level, noncombustible surface only. Keep away from house, garage, balconies, or eave overhangs.
- Keep out of reach of children.
- Be sure screen is in place while in use and do not use in windy conditions.
- Do not overfill firebox nor use to burn leaves or trash.
- Exercise same care you would with an open fire.
- Never leave unit unattended when hot or in use.
- Completely extinguish fire before leaving.
- Use gloves when handling or moving. Ashes can remain warm for a long time after extinguishing.
- Dispose of cold ashes properly.
- Do not modify in any way nor use with parts not expressly approved by Coleman.

Parts Check List

- Check package for all parts needed for assembly.



Nuts, Bolts and Washers:



- Check all items for shipping damage. Call Coleman at 1-800-835-3278 or TDD: 316-832-8707 if you have any problems.

Assembly

1. Carefully unpack all parts from shipping box.
2. Assemble handles to lid and firebox as shown in **Figure 1**.
Be careful not to overtighten bolts against porcelain surfaces which could crack if bolts are too tight.

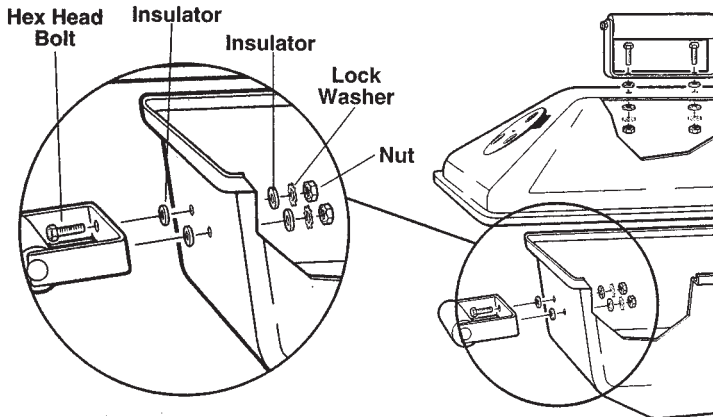


Figure 1

3. Assemble flat leg to firebox with two hex head bolts, insulators, lock washers and nuts in proper sequence shown in **Figure 2**.

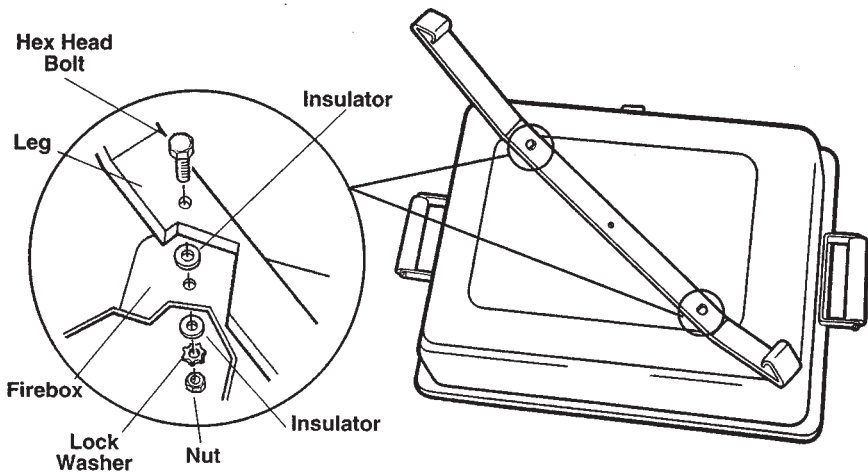


Figure 2

Then assemble leg with center offset to firebox with the 1"-long bolt in center hole and two 1/2"-long bolts in corners. (Figure 3).

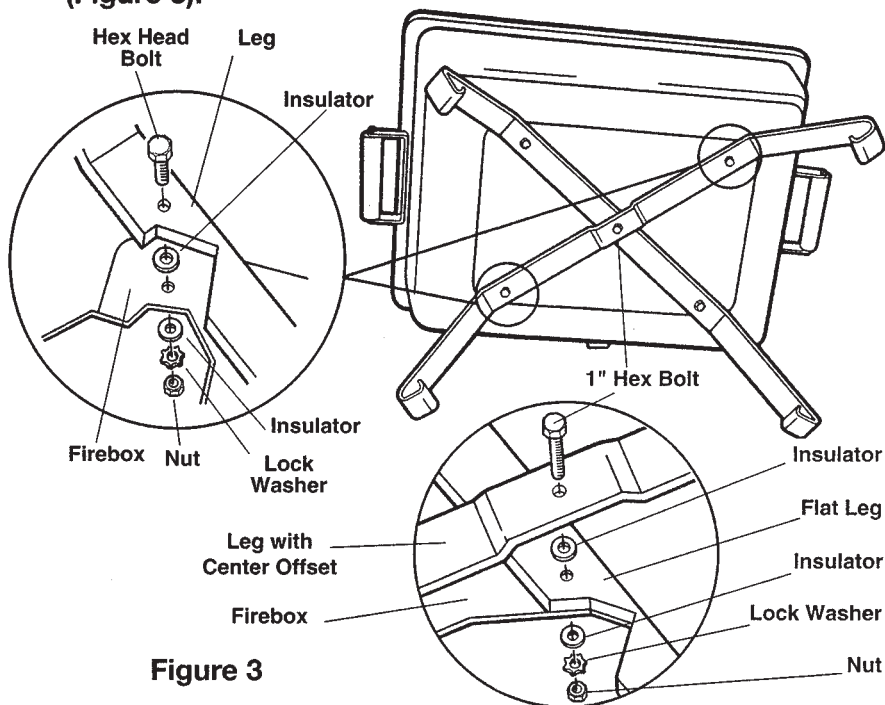


Figure 3

4. Insert hinge pins through bracket and screen components, as shown in **Figure 4**. Please note long hinge pins belong with front doors and short hinge pins belong with rear panel.

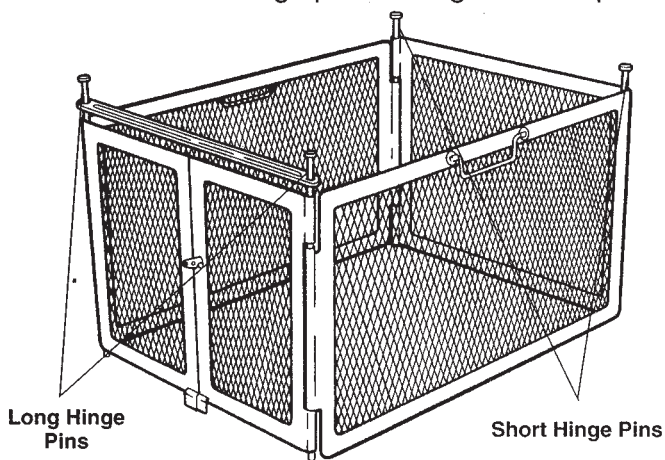


Figure 4

5. Rest grate in firebox. (Figure 5).

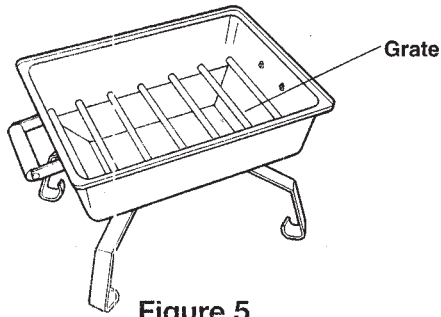


Figure 5

6. Place assembled screen onto firebox, fitting front door hinges through holes. (Figure 6).

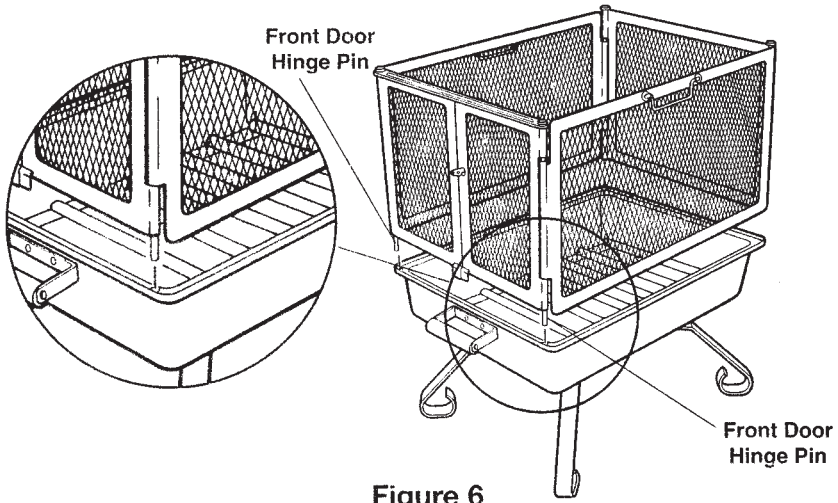


Figure 6

7. Place lid on top of screen. (Figure 7).

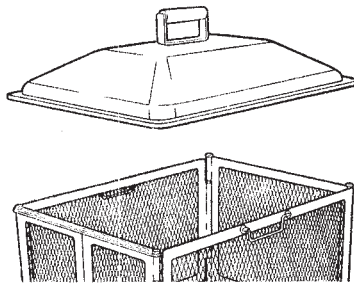


Figure 7

Set Up and Use

⚠ WARNING

Never leave unit unattended when hot or in use. Keep out of reach of children. Outdoor use only. Never use in enclosed area. Use in unventilated areas will endanger your life.

1. Place unit on a level, noncombustible surface. Keep well away from house, garage, balconies or eave overhangs.
2. Place wood into firebox carefully.
3. Install screen.
4. Ignite wood.
5. Install lid.

⚠ WARNING

To avoid serious burns, use heavy gloves when opening doors to add wood to existing fire.

After Use

1. Completely extinguish fire before leaving.

⚠ WARNING

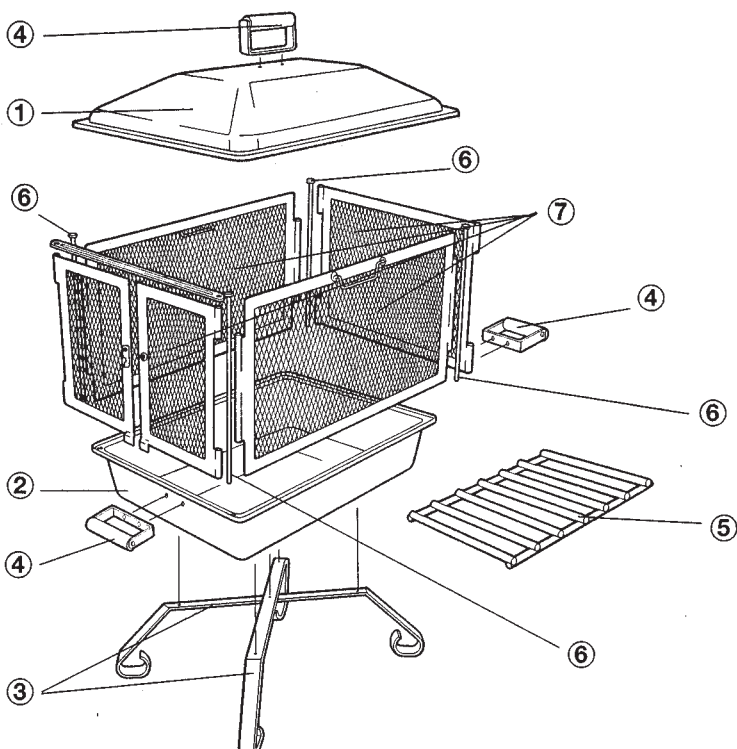
To avoid burns — use heavy gloves to remove screen.

2. Extinguish fire by removing screen assembly and placing lid over firebox.
3. Do not use water to douse the fire as this may crack the porcelain finish.
4. Dispose of cold ashes properly.
5. Be careful — fire may be out but firebox can still be hot. Handle carefully.

Storage

1. For long term storage, remove pins from screen components and lay parts in firebox.
2. Place lid over firebox and either store in shed or place tarp over entire unit.

Replacement Parts



| I.D. NO. | PART NO. | DESCRIPTION | I.D. NO. | PART NO. | DESCRIPTION |
|----------|-----------|-----------------------|----------|-----------|-----------------|
| 1 | 5067-2341 | Lid | 5 | 5067-3151 | Grate |
| 2 | 5067-1011 | Firebox | 6 | 5067-3211 | Pins (4) |
| 3 | 5067-1101 | Legs (2) | 7 | 5067-2421 | Screen Assembly |
| 4 | 5067-4121 | Handle w/bolts & nuts | | | |

Coleman means
QUALITY
 Always has. Always will.

The Coleman Co., Inc.
 3600 N. Hydraulic
 Wichita, KS 67219 U.S.A.
 1-800-835-3278
 TDD: 316-832-8707

Free Manuals Download Website

<http://myh66.com>

<http://usermanuals.us>

<http://www.somanuals.com>

<http://www.4manuals.cc>

<http://www.manual-lib.com>

<http://www.404manual.com>

<http://www.luxmanual.com>

<http://aubethermostatmanual.com>

Golf course search by state

<http://golfingnear.com>

Email search by domain

<http://emailbydomain.com>

Auto manuals search

<http://auto.somanuals.com>

TV manuals search

<http://tv.somanuals.com>