

**dacor**  
The Life of the Kitchen.®

## INSTALLATION INSTRUCTIONS

### PREFERENCE® WALL MOUNT RANGE HOOD

For use with model: PHW

GOEDEKERS  
Trusted since 1951

GOEDEKER'S  
Trusted since 1951

# TABLE OF CONTENTS

<b>Before You Begin</b> .....	1	<b>Installation Instructions</b> .....	6-11
<b>Important Safety Instructions</b> .....	1-3	Install the Electrical Connection.....	6
What You Need to Know About Safety Instructions.....	1	Install the Chimney Mounting Bracket.....	6
General Safety Precautions.....	2	Install Blower Mounting Bracket.....	6
<b>Product Specifications</b> .....	3	Install the Duct Work.....	7
General Specifications.....	3	Hanging the Blower Assembly.....	8
Dimensions.....	3	Electrical Connection.....	9
<b>Preparing for Installation</b> .....	4-5	Install the Chimney.....	9
Verify the Package Contents.....	4	Install the Hood.....	10
Location Planning.....	4	Verify Proper Operation.....	11
Electrical Power Supply.....	5	Installation Checklist.....	11
Plan the Duct Work Installation.....	5	<b>Notes</b> .....	12-13

## BEFORE YOU BEGIN...

### Important:

- **Installer:** In the interest of safety and to minimize problems, read these installation instructions completely and carefully before you begin the installation process. Leave these installation instructions with the customer.
- **Customer:** Keep these installation instructions for future reference and the local electrical inspector's use.

- If you have questions or problems with installation, contact your Dacor dealer or the Dacor Customer Service Team.

#### Dacor Customer Service

Phone: (800) 793-0093.  
Email: customerservice@Dacor.com  
Web site: www.Dacor.com

**Save these instructions for the building inspector's use and for future reference by the owner.**

## IMPORTANT SAFETY INSTRUCTIONS

### What You Need to Know About Safety Instructions

- The **Important Safety Instructions** and warnings in these instructions are not meant to cover all possible problems and conditions that can occur. Use common sense and caution when installing, maintaining or operating this or any other appliance.
- Always contact the Dacor Customer Service Team about problems and conditions that you don't understand.

### Safety Symbols and Labels

#### **DANGER**

Immediate hazards that **WILL** result in severe personal injury or death.

#### **WARNING**

Hazards or unsafe practices that **COULD** result in severe personal injury or death.

#### **CAUTION**

Hazards or unsafe practices that **COULD** result in minor personal injury or property damage.

#### **DANGER**

To avoid the possibility of explosion or fire, do not store or use combustible, flammable or explosive vapors and liquids (such as gasoline) inside or in the vicinity of this or any other appliance. Also keep items that could explode, such as aerosol cans away from cooktop burners, ovens and range hoods. Do not store flammable or explosive materials in adjacent cabinets or areas.

# IMPORTANT SAFETY INSTRUCTIONS

## General Safety Precautions

To reduce the risk of fire, electric shock, serious injury or death when using your range hood, follow basic safety precautions, including the following:

### **WARNING**

1. Do not install or operate this hood if it has been damaged, dropped, has damaged electrical conduit or wires or is not working properly. If the product is damaged when received, immediately contact the dealer or builder.
2. Use this range hood only for its intended purpose as outlined in the use and care manual. Do not use this range hood to vent hazardous or explosive materials or vapors. If you have questions, contact the manufacturer.
3. The customer should not install, repair or replace any part of the range hood unless specifically recommended in the literature accompanying it. A qualified service technician should perform all other service. Contact the nearest Dacor Customer Service Team at (800) 793-0093, or at [www.Dacor.com](http://www.Dacor.com) for examination, repair or adjustment.
4. Keep all packaging materials away from children. Plastic bags can cause suffocation.
5. This range hood must be installed and grounded by a qualified installer according to these installation instructions. All installation work and electrical wiring must be performed in accordance with all applicable codes and standards, including fire-rated construction.
6. Install or locate this appliance only in accordance with these installation instructions and the requirements specified by the manufacturer of the cooktop or range. Improper installation, adjustment, alteration, service or maintenance can cause serious personal injury or property damage.
7. Do not use an extension cord or adapter plug with this appliance.
8. Sufficient air is needed for proper combustion and exhausting of gases through the flue (chimney) of fuel burning equipment to prevent back drafting. Follow the heating equipment manufacturer's guidelines and safety standards such as those published by the National Fire Protection Association (NFPA), and the American Society for Heating, Refrigeration and Air Conditioning Engineers (ASHRAE) and the local code authorities.
9. When cutting or drilling into the wall or ceiling, do not damage electrical wiring and other hidden utilities.
10. The installer must show the customer the location of the fuse or junction box so that the customer knows where and how to turn the power off.
11. Before installing or servicing the range hood, switch power off at the fuse or junction box and lock the electrical panel door to prevent power from being switched on accidentally. When the electrical panel cannot be locked, securely fasten a prominent warning device, such as a tag, to the service panel.
12. Read the use and care manual completely before using this appliance.
13. Do not tamper with the controls.
14. Never allow the filters to become blocked or clogged. Do not allow foreign objects, such as cigarettes or napkins, to be sucked into the hood.
15. Clean the filters and all grease-laden surfaces often to prevent grease fires and maintain performance.
16. If the cooktop and range hood are near a window, use an appropriate window treatment. Avoid long drapes or other window coverings that could blow over the cooktop and hood, resulting in a fire hazard.
17. Always run the blower whenever the cooktop is operating.
18. Never leave the range or cooktop unattended when a burner (or element) is in use. Boil-overs and greasy spills may smoke and/or ignite.
19. Do not leave children alone or unattended in the area where the cooktop and range hood are in use. Never allow children to sit or stand on an appliance. Do not let children play with a range, cooktop or range hood. Do not store items of interest to children above or around the cooktop, range or range hood.
20. A minimum of two people are required to safely install this appliance. Do not attempt to lift the glass hood assembly alone.

# IMPORTANT SAFETY INSTRUCTIONS

## ⚠ WARNING

21. TO REDUCE THE RISK OF INJURY TO PERSONS IN THE EVENT OF A RANGE TOP GREASE FIRE:

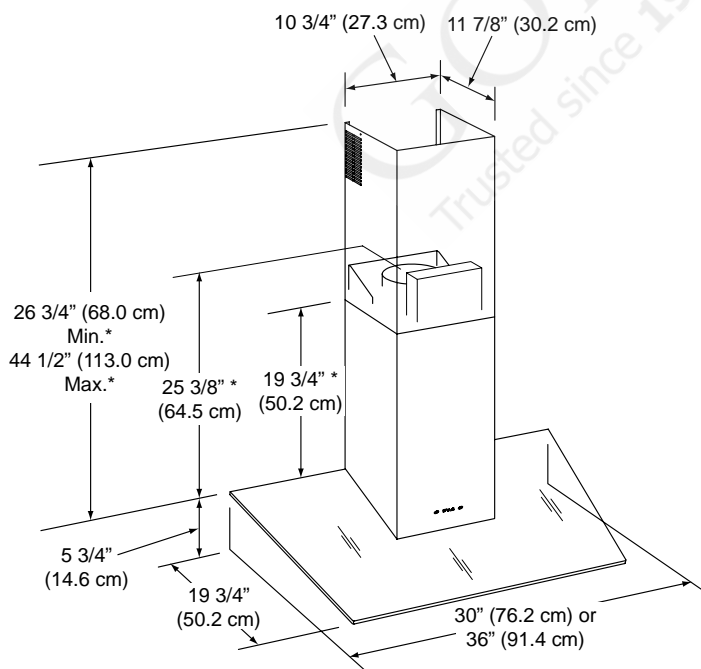
- SMOTHER FLAMES with a close-fitting lid, cookie sheet or metal tray, then turn off the burner. BE CAREFUL TO PREVENT BURNS. If the flames do not go out immediately, EVACUATE AND CALL THE FIRE DEPARTMENT.
- NEVER PICK UP A FLAMING PAN - you may be burned.
- DO NOT USE WATER, including wet dish cloths or towels - a violent steam explosion may result.
- Use a fire extinguisher ONLY if:
  - You have a Class ABC extinguisher, and you already know how to operate it.
  - The fire is small and contained in the area where it started.
  - The fire department is being called.
  - You can fight the fire with your back to an exit.

# PRODUCT SPECIFICATIONS

## Dimensions

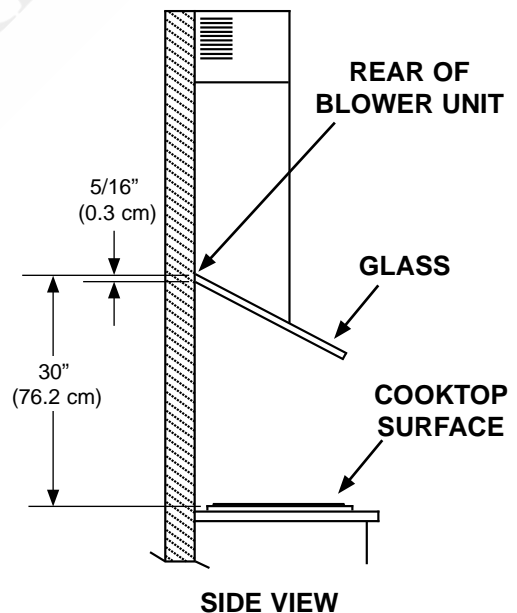
### ⚠ WARNING

The minimum installed distance from the rear of blower unit base to the cooktop surface must be no less than 30" inches (76.2 cm), 26 inches (66.0 cm) for an electric cooktop. The minimum specified distance may be higher for the particular range or cooktop in use. Check the manufacturers specifications for the cooktop or range.



\* Glass thickness not included

Tolerances: +1/16", -0, unless otherwise stated



## General Specifications

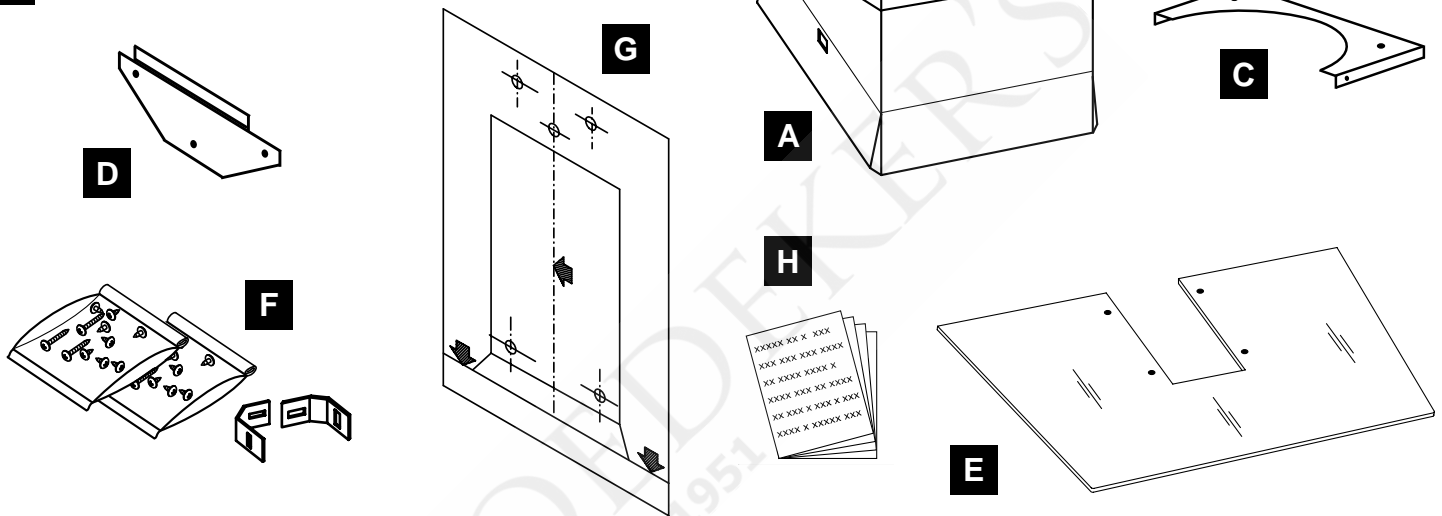
Blower	600 cfm with electronic speed control
Blower Speeds	4
Light	120 Vac, 50W halogen (1)
Filters	Mesh type, dishwasher safe (2)
Exhaust	8-inch
Finish	430 stainless steel with tempered glass hood
Power Required.	120 Vac, 60 Hz, 3.5 A
Circuit Required	120 Vac, 60 Hz, 15 A

# PREPARING FOR INSTALLATION

## Verify the Package Contents

Unpack the parts box and verify that all required components have been provided. If any item is missing or damaged, please contact the dealer immediately. Do not install a damaged or incomplete appliance.

- A** Blower assembly with filters
- B** Chimney assembly (2 piece)
- C** Chimney mounting bracket
- D** Blower assembly mounting bracket
- E** Tempered glass hood\*
- F** Mounting and assembly hardware
- G** Mounting hardware template
- H** Use and care manual



\* The glass hood comes in different colors and sizes. See the use and care manual maintenance section for part numbers.

## Location Planning

Carefully check the location where the hood is to be installed. The hood should be placed for convenient access. Make certain that electrical power can be provided in the selected location.

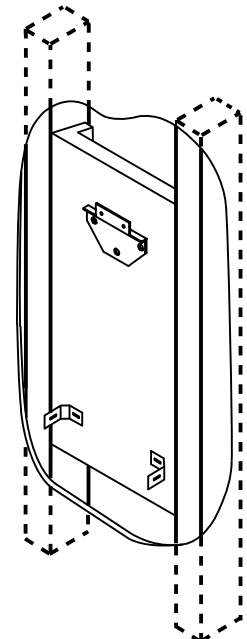
Plan the installation so that all minimum dimensions are met or exceeded (see page 3). Dimensions shown provide minimum clearances, unless otherwise noted.

All contact surfaces between the hood and any cabinets or walls must be solid and at right angles.

Install the range hood and cooking appliance(s) so that they can be removed if service is required.

Make sure you have everything necessary for proper installation before proceeding with the installation.

**NOTE:** The mounting hardware included with the hardware packet is suitable for mounting to brick and masonry only. If mounting the range hood to drywall, Dacor strongly recommends the using an anchoring system designed for use with drywall. In addition, Dacor strongly recommends that you install a reinforced mounting block between the studs behind all hood mounting locations.



# PREPARING FOR INSTALLATION

## Electrical Power Supply

### **⚠ WARNING**

- Observe all governing codes and ordinances during planning and installation. Contact your local building department for further information.

## Electrical Specifications

It is the owner's responsibility to ensure that the electrical connection of this appliance is performed by a qualified electrician. The electrical installation, including minimum supply wire size and grounding, must be in accordance with the National Electric code ANSI/NFPA\* (or latest revision) and local codes and ordinances.

\*A copy of the standard may be obtained from:

National Fire Protection Association  
1 Batterymarch Park  
Quincy, Massachusetts 02269-9101

This hood requires a dedicated 120 Vac, 60Hz, 15 A circuit.

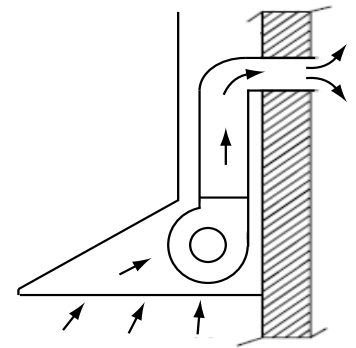
## Plan the Duct Work Installation

### **⚠ WARNING**

- To reduce the risk of fire and to properly exhaust air, be sure to duct air outside the house or building. Do not vent exhaust air into spaces within walls or ceilings or into attics, crawl spaces or garages.
- Tape all duct joints securely to prevent combustion by-products, smoke or odors from entering the home. Doing so will also improve system efficiency.
- Do not exhaust more than one vent into a single duct run.
- Use only duct work constructed of materials deemed acceptable by state, municipal and local codes.
- Range hoods may interrupt the proper flow of smoke and combustion gases from furnaces, gas water heaters and fireplaces. To avoid drawing lethal gases into the home, follow the manufactures recommendation for these devices and consult NFPA and ASHRAE recommendations.

- All duct work materials (including screws and duct tape) must be purchased separately by the customer.
- The hood exhaust connects to an 8-inch round duct. You can increase the duct size over the duct run if desired. To prevent a back draft, never decrease the duct size over the run.
- Do not rely on duct tape alone to seal duct joints. Fasten all connections with sheet metal screws and tape all joints with certified silver tape or duct tape. Use sheet metal screws as require to support the duct weight.

- To prevent back-drafts, a damper at the duct outlet may also be required.
- When planning new duct work, always look for the shortest, most direct route to the outside. Venting can be done through the roof or directly through the back wall to the outside.



- Make sure duct work does not interfere with floor joists or wall studs.

## Calculating the Maximum Duct Run Length

The maximum straight duct length for the hood is 100 feet. For each elbow and transition added to the duct work, a certain number of feet must be subtracted from the maximum straight length to compensate for wind resistance. To determine the length the duct work cannot exceed, subtract all of the equivalent lengths of the elbows and transitions listed below from 100 feet.

### Duct Work Equivalent Lengths

DUCT PIECE	SUBTRACT
90° elbow	15 feet
45° elbow	9 feet
3 1/4" x 10" to 8" round	1 foot
Wall cap with damper	30 feet
Roof cap	30 feet

### Duct Work Design Tips

- Wherever possible, reduce the number of transitions and turns to as few sharp angles as possible. Two staggered 45° angles are better than one 90°. Keep turns as far away from the hood exhaust as possible, with as much space between each bend as possible.
- For best performance, use round duct instead of rectangular, especially when elbows are required.
- If multiple elbows are used, try to keep a minimum of 24" of straight duct between them. Avoid "S" or "back to back" configurations of adjacent elbows.
- In regions where the weather gets extremely cold, thermal breaks, such as a short section of non-metallic duct, should be used to avoid indoor heat loss. The break should be located as close to the pass through point to the outside as possible.
- Do not use flexible metal duct.
- Do not use duct work that is smaller in cross-sectional area than the recommended size duct (8" round).

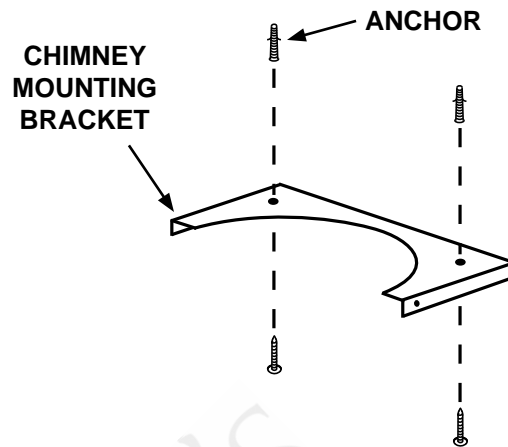


# INSTALLATION INSTRUCTIONS

## **⚠ WARNING**

- Do not install the range hood unless the electrical service provided meets the range hood specifications.
- Observe all governing codes and ordinances during planning and installation. Contact your local building department for further information.
- A qualified technician must complete the installation of this built-in appliance. The owner is responsible to make sure the hood is properly installed.
- To avoid an electric shock hazard and property damage, locate electric wires and water pipes and avoid drilling in the vicinity.

4. Locate the chimney mounting bracket and position it against the ceiling as shown. Center it on the vertical center line drawn on the wall.



## Install the Electrical Connection

### **⚠ WARNING**

- The electrical service to the range hood should be installed only by a licensed electrician.

The electrical connection box must be:

- Connected to a 120VAC, 60Hz dedicated, grounded, circuit protected by a 15 amp circuit breaker or time delay fuse.
- Located a minimum of 17 inches above the bottom of the range hood.

5. Mark the ceiling in two places through the holes in the top of the bracket. Remove the bracket from the ceiling.
6. Drill 5/16" holes through the two spots marked on the ceiling.
7. Insert the two of the provided wall anchors into the holes on the ceiling.
8. Place the chimney mounting bracket against the ceiling and attach it using two included 1 1/2" screws.

## Install the Chimney Mounting Bracket

1. Determine the vertical center line for the range hood. The center line for the hood is usually the same as the center line of the range or cooktop.
2. Using a pencil, mark the vertical center line on the wall from where the bottom of hood will be located to where the top of the chimney will be located.
3. Draw a horizontal line 9 inches long at 90° to the vertical center line where the bottom of the hood will be located. The minimum allowable distance is 30" above the cooktop.

## Install Blower Mounting Bracket

1. Find the mounting bracket template in the shipping box. Put the template against the wall and line up the horizontal line drawn on the wall with the horizontal line on the template.
2. Line up the vertical line drawn on the wall with the center line on the template. Iron out all creases and folds and tape the template to the wall using tape that will not damage the wall finish.
3. Using a sharp object, mark the wall through the template at the center of the three blower mounting bracket hole positions (near the top) and the position of the two "L" brackets, near the bottom.
4. Remove the template.

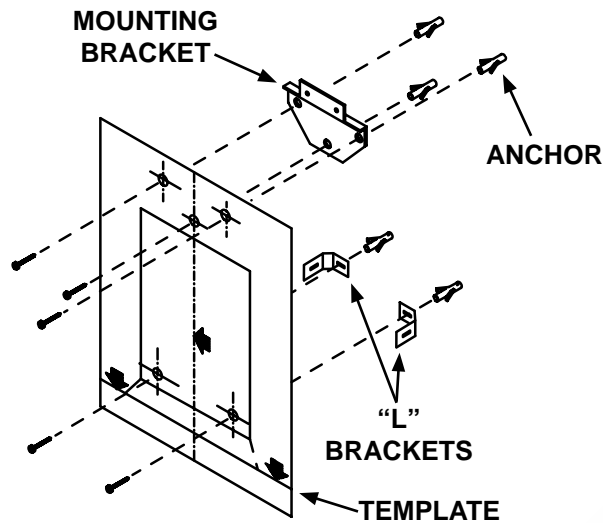


# INSTALLATION INSTRUCTIONS

## 5. Drill the mounting holes...

If mounting the hood to brick or masonry:

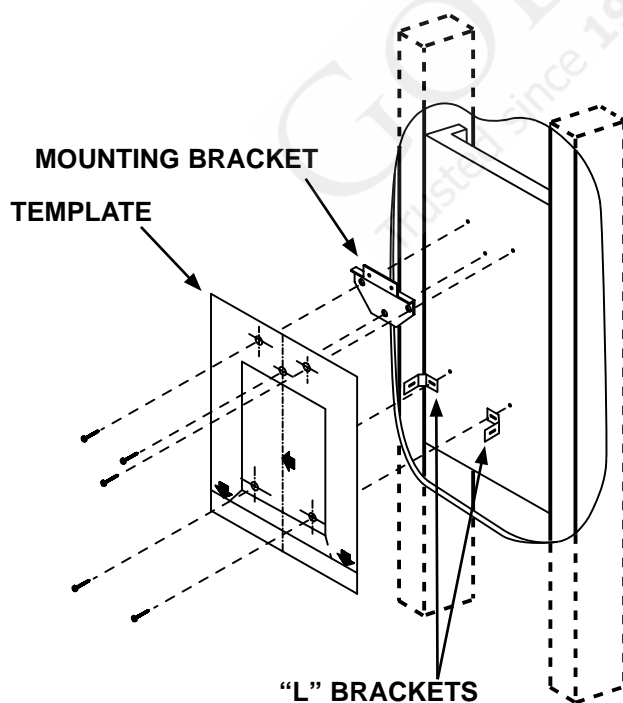
- Drill five 5/16" X 1 1/2" holes in the locations marked.
- Insert five of the provided wall anchors into the five holes. The anchors provided are for attaching the hood to masonry or brick only.



### MOUNTING TO BRICK OR MASONRY

If mounting the hood to drywall:

- Drill five appropriate sized holes for the mounting hardware being used. The drywall mounting hardware must be purchased separately.



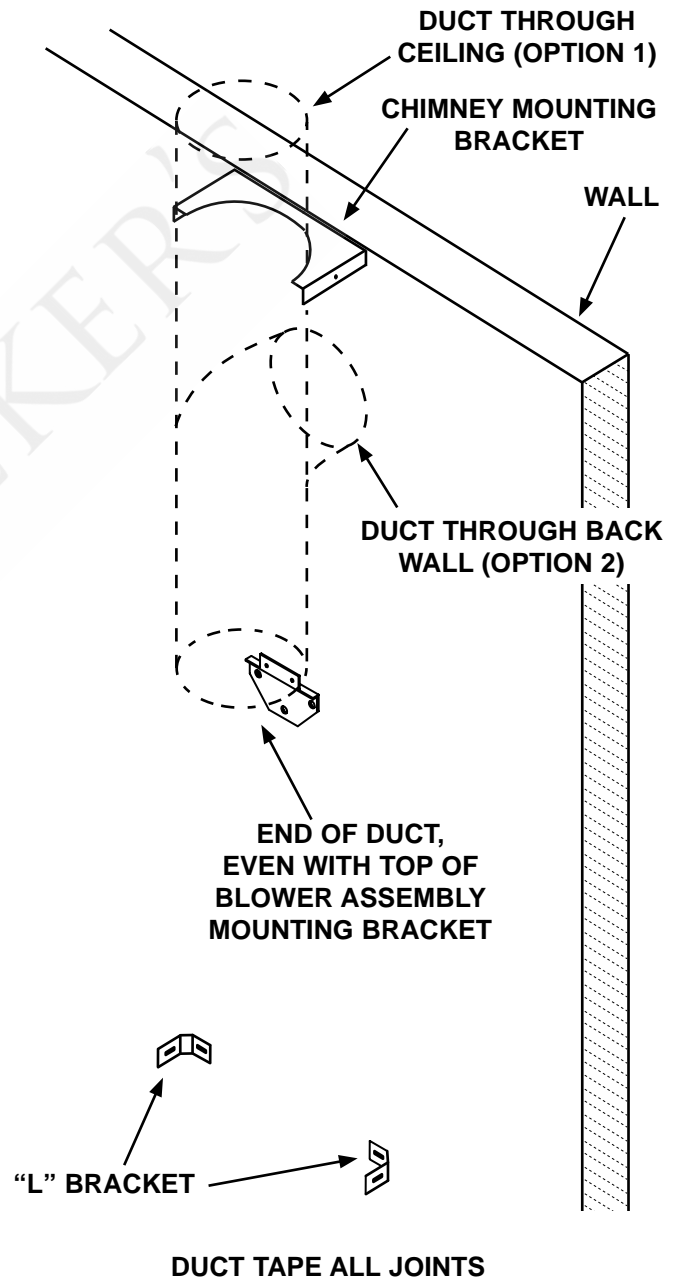
### MOUNTING TO DRYWALL OR PLASTER

## 6. Attach the blower assembly mounting bracket and the “L” brackets securely to the wall (5 places).

## Install the Duct Work

### IMPORTANT - The installed duct work must:

- Be centered on the vertical center line drawn on the wall.
- Fit flush into the half circle on the chimney mounting bracket, if the duct work is to enter the chimney through the ceiling rather than through the back wall.
- Extend down as far as the top of the blower assembly mounting bracket.



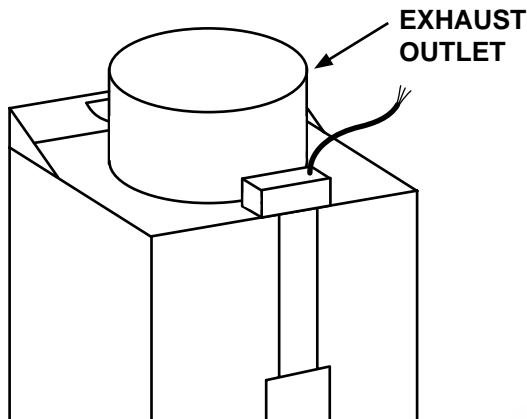
# INSTALLATION INSTRUCTIONS

## Hanging the Blower Assembly

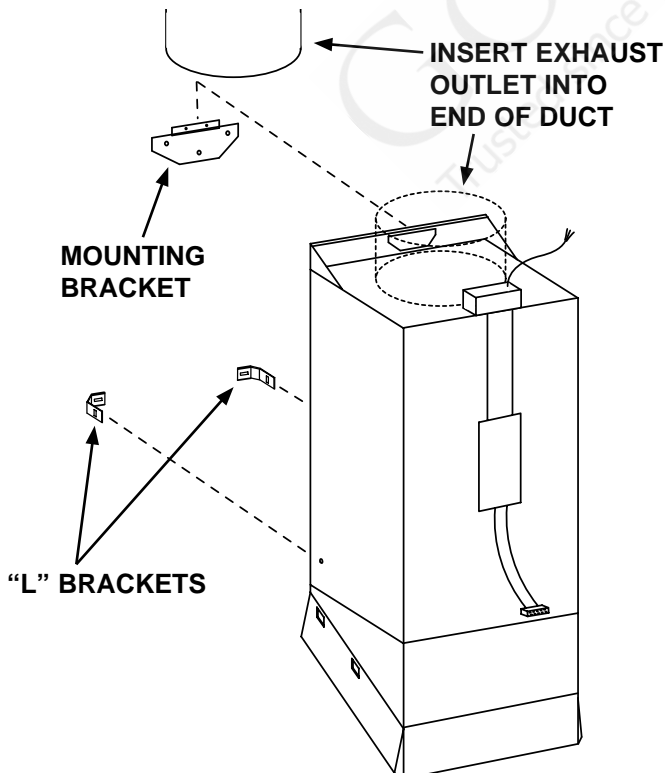
### WARNING

- Do not use screws to attach the duct work to the exhaust outlet. Use duct tape only. Screws may prevent the damper flaps on the top of the hood from opening.

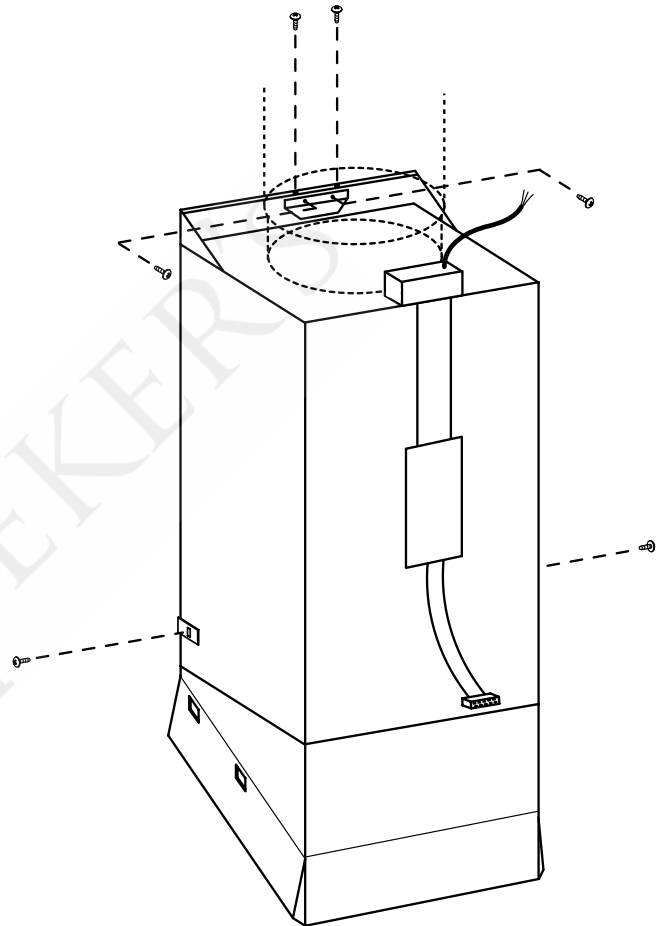
1. Inside the exhaust outlet on the top of the blower assembly, there are metal or plastic damper flaps. The flaps close to help prevent back-drafts when the blower is turned off. Remove the shipping tape and make sure the flaps open and close freely before proceeding.



2. Lift the blower assembly up and put the mounting hole on the top over the mounting bracket, while inserting the exhaust outlet into the end of the duct system. Gently lower the blower assembly onto the lip of the mounting bracket. Slide the bottom part of the blower assembly between the two "L" brackets.



3. Insert two provided machine screws into the two holes above the mounting bracket on the blower assembly and tighten into place.
4. Insert two machine screws through the front of the mounting bracket and tighten into place.
5. Insert two machine screws through the side of both "L" brackets and tighten into place.



6. Attach the end of the duct system to the exhaust outlet with duct tape.

# INSTALLATION INSTRUCTIONS

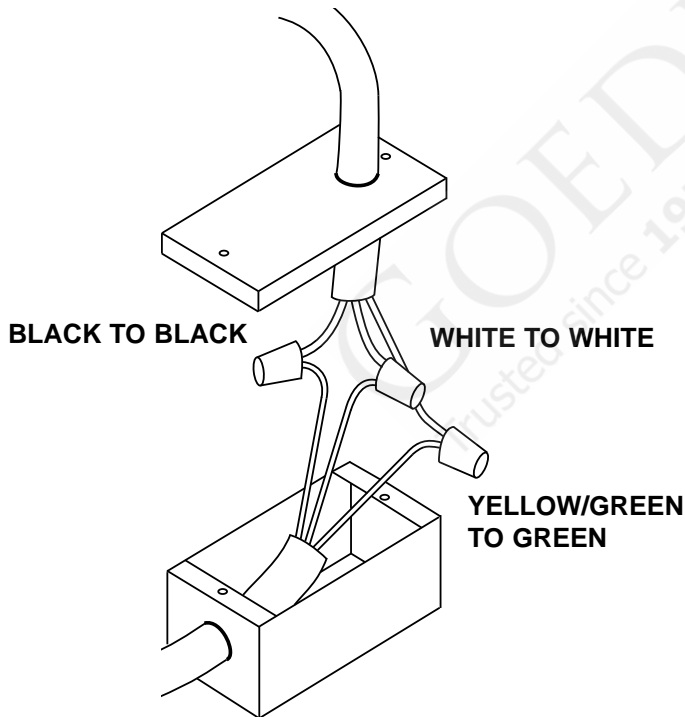
## Electrical Connection

### WARNINGS

- To avoid electrical shock or fire hazard, make sure the power supply at the fuse or junction box is turned off before proceeding with final installation.
- Improper connection of the hood electrical wiring may create an electric shock or fire hazard and may result in damage to the hoods electrical system.
- Do not ground the hood to the neutral (white) power supply wire. Connect the hood ground wire to a separate, properly grounded wire installed by a licensed electrician.

**Connect the power supply wires to the wires coming out of the top of the hood junction box on the blower assembly:**

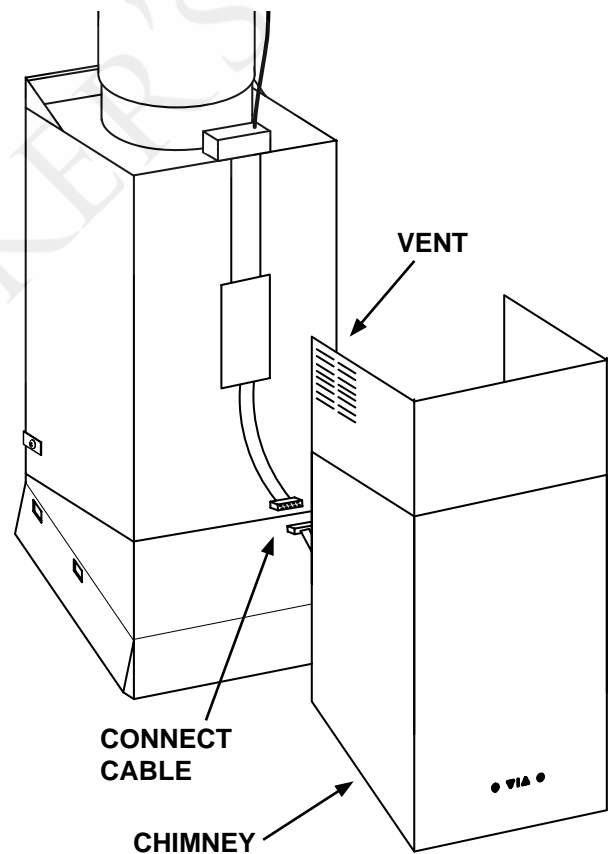
1. Connect the white wire from the hood to the neutral (white) power supply wire.
2. Connect the black wire from the hood to the hot (black) power supply wire.
3. Connect the green and yellow wire from the hood to the house ground (green) wire from the junction box.



## Install the Chimney

**IMPORTANT:** Be careful not to pinch the electrical wires while installing the chimney.

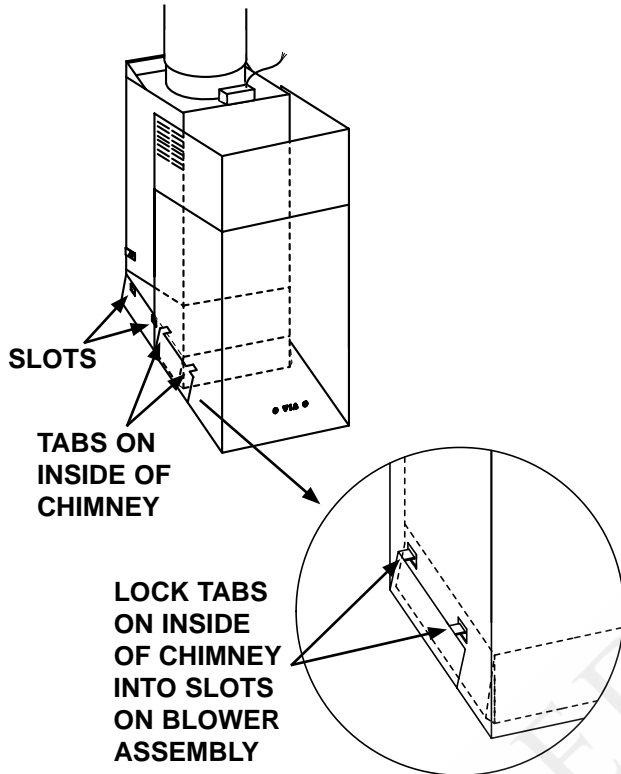
1. Remove the protective plastic covering from both pieces of the chimney assembly. Do not remove the protective tape strips from the inside of the chimney. They protect the telescoping pieces from scratching during installation.
2. Carefully slide both sections together so that only the vents on the top section show.
3. Hold the chimney vertically with the vents up, close to the blower assembly.
4. Connect the control panel cable on the chimney to the cable on the front of the blower assembly.



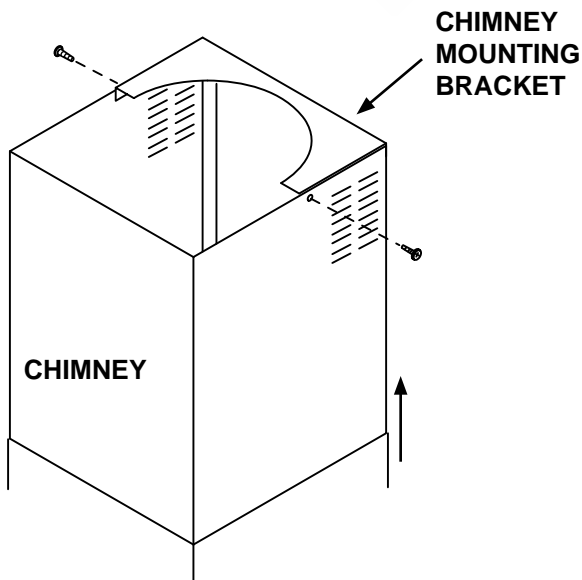
# INSTALLATION INSTRUCTIONS

## Chimney Installation (cont.)

- Carefully put the chimney over the blower assembly, taking care not to scratch the surfaces. Make sure the wiring is tucked in behind the chimney.
- Lock the tabs inside the chimney bottom into the slots on the bottom of the blower assembly.



- Slide the top of the chimney up toward the ceiling. Line up the holes on the side of the chimney, near the vents, with the holes on the side of the chimney mounting bracket.
- Attach the top of the chimney to the mounting bracket using two sheet metal screws, one on each side.

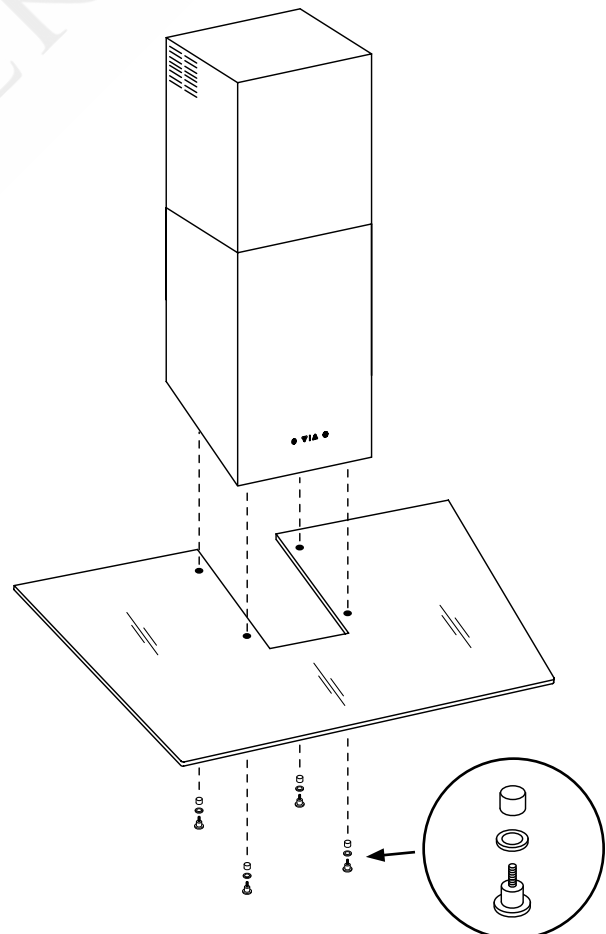


## Install the Hood

### **⚠ WARNING**

- Attaching the glass range hood requires two people. Do not attempt to lift the hood without assistance.

- Locate the hood mounting hardware. It consists of:
  - 4 thumb screws
  - 4 plastic washers
  - 4 plastic spacers
- For easier hood installation, assemble all the thumb screw hardware before lifting the hood into position.
  - Hold each thumb screw with the threads up.
  - Put the plastic washer on the thumb screw.
  - Put the plastic spacer over the end.
- Lift the glass hood into place. Line up the holes on the glass with the mounting holes on the bottom of the blower assembly.
- Insert all four thumb screws into the bottom of the glass and tighten into place.



# INSTALLATION INSTRUCTIONS

## Verify Proper Operation

1. Turn on power at the junction or fuse box.
2. If the control panel is not lit, turn on the main power switch located next to the light fixture on the underside of the hood.
3. Touch the light key. Verify that all the lights come on.
4. Touch the light key again to turn the lights off.
5. Touch the blower “+” key once and release. Verify that one light is showing on the blower speed indicator and that the blower is on at low speed.
6. Touch and release the blower “+” repeatedly, three times. Verify that with each touch of the key the number of lights on the blower speed indicator increases and that the blower speed increases.
7. Touch and hold the blower “-” key until the blower turns off.

### If the hood fails to operate properly:

- Verify that power is supplied to the hood.
- Check the electrical connections to ensure that the installation has been completed correctly.
- Repeat the above test.
- If the appliance still does not work, contact the Dacor Customer Service Team at (800) 793-0093.

Do not attempt to repair the appliance yourself. Dacor is not responsible for service required to correct a faulty installation.

## Installation Checklist

### **WARNING**

- To ensure a safe and proper installation, the following checklist should be completed by the installer to ensure that no part of the installation has been overlooked.
  - Proper installation is the responsibility of the homeowner. The importance of proper installation of your Dacor range hood cannot be overemphasized.
- Is the blower assembly mounting bracket properly attached to the wall according to the instructions on page 6?
  - Is the blower assembly tightly secured to the mounting bracket with the machine screws (see page 8)?
  - Is the duct work completely installed? Are all joints attached with sheet metal screws and wrapped with duct tape (see pages 5 and 7)?
  - Is the range hood wired and grounded according to these instructions and in accordance with all applicable electrical codes (see pages 5 and 9)?
  - Is the tempered glass hood attached to the blower assembly as specified in this manual (see page 10)?
  - Are the filters properly installed according to the use and care manual?
  - Has proper operation been verified?
  - Have any problems been noted on the warranty card or during the on-line activation? Has the warranty been activated on-line or the warranty card been filled out completely and mailed?

# NOTES

GOEDEKER'S  
Trusted since 1951

GOEDEKER'S  
Trusted since 1951



GOEDEKER'S  
Trusted since 1951

**Specifications contained within are subject to change without notice.  
No liability is assumed by Dacor for changes in specifications.**

## Free Manuals Download Website

<http://myh66.com>

<http://usermanuals.us>

<http://www.somanuals.com>

<http://www.4manuals.cc>

<http://www.manual-lib.com>

<http://www.404manual.com>

<http://www.luxmanual.com>

<http://aubethermostatmanual.com>

Golf course search by state

<http://golfingnear.com>

Email search by domain

<http://emailbydomain.com>

Auto manuals search

<http://auto.somanuals.com>

TV manuals search

<http://tv.somanuals.com>