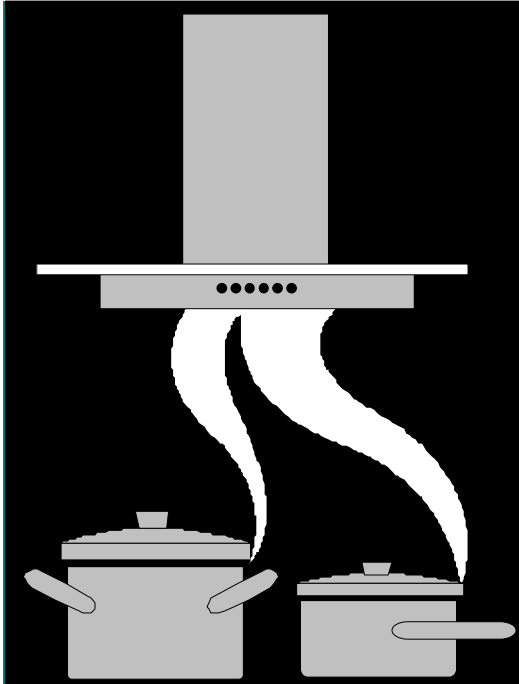


OWNER'S MANUAL.



You can rely on Defy



PREMIUM ISLAND HOOD

PLEASE READ THESE INSTRUCTIONS
CAREFULLY
BEFORE INSTALLING AND OPERATING.

MODEL.

**DCH262
900 PREMIUM ISLAND HOOD
GLASS**

The manufacturer strives for continuous improvements. For this reason, the text and illustrations in this book are subject to change without notice.

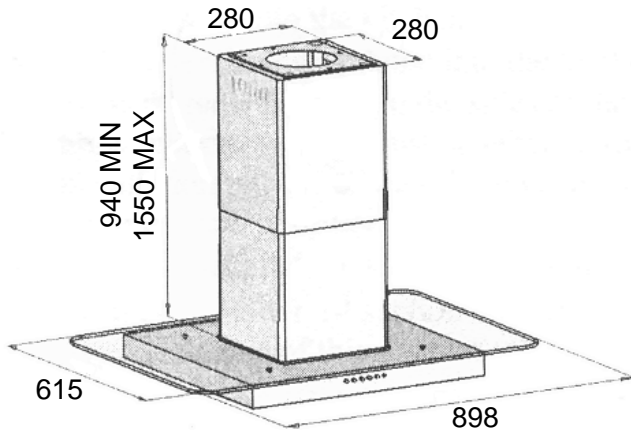
Part Number 065966

INDEX

- 2 Description.
- 2 Before use.
- 2 Safety advice.
- 2 Electrical connection.
- 3 Preparing for installation.
- 3 Recirculating filtered air.
- 3 Venting air to the outside.
- 4 Installation.
- 5 Grease filters.
- 5 Optional carbon pad filters
- 6 Operation.
- 6 Replacing the light bulbs.
- 7 Maintenance and cleaning.
- 8 Owner's responsibility.
- 8 Problem check.
- 8 Service.
- 9 Warranty.

www.defy.co.za

Description.



- The extractor hood fan extracts the kitchen vapours and passes them through the grease filters.
- The grease filter absorbs the solid particles in the cooking vapours, keeping the kitchen almost free of grease.

Before use.

Before using your new extractor hood for the first time, please read this manual carefully. It contains important information concerning your personal safety as well as on the use and care of the extractor hood.

- Remove all packaging (except the protective film on the two chimney sections) and dispose of it in an environmentally friendly manner.
- If the extractor hood is damaged in any way, do not use it. Report the damage to your dealer, who will take the necessary corrective action. (Refer to Owner's responsibility on page 8 of this manual).

Safety advice.

- This extractor hood complies with all relevant safety regulations.
- The extractor hood is not intended for use by young children or infirm persons without supervision.

- Never operate the extractor hood without a grease filter.
- Never leave cooking fat or oil unattended. Overheated fat or oil can easily catch fire.
- Do not flambé food directly under the extractor hood. The flames pose the risk of the grease filter catching fire. (see page 7 under maintenance and cleaning)
- Restrictions apply to the use of the extractor hood over a solid fuel or gas stove. (See Preparing for installation on page 3).
- Switch off the power at the mains in the event of a fault or when cleaning the extractor hood
- Do not touch any part of the light fittings while they are in use as they get very hot and could cause severe burns.

Electrical connection.

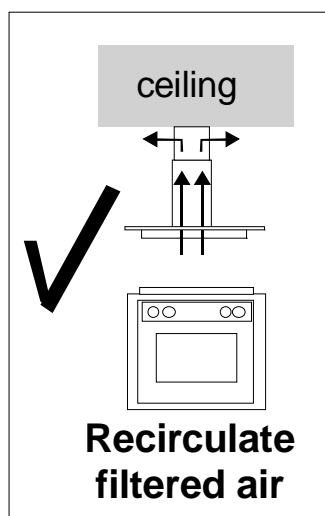
- The extractor hood uses a 220-250V/50Hz power supply.
- If the mains power cord is damaged, it must be replaced by a qualified electrician.
- The power cord is located in the chimney area. Should you require an installation with no visible wiring, a 15 amp earthed plug socket should be accessible in the ceiling above the extractor hood. (A qualified electrician should provide this facility).
- **The extractor hood must be earthed. The manufacturer and the seller do not accept responsibility for any damage due to incorrect electrical connection.**
- **This extractor hood may not be used with a battery inverter power supply.**

Preparing for installation.

- The extractor hood has the ability to:
- Recirculate the filtered air back into the kitchen. Use this method where you cannot vent through the ceiling
- Or to vent the filtered air through the ceiling and to the outside.
- Decide on which option best suits you before commencing with the installation.

1 Recirculating filtered air.

- The extractor hood filters out solid particles before the air is recirculated, via the vents on the side of the upper chimney, into the kitchen.
- Care must be taken during installation not to obstruct these vents.
- No ducting is required for this type of installation.



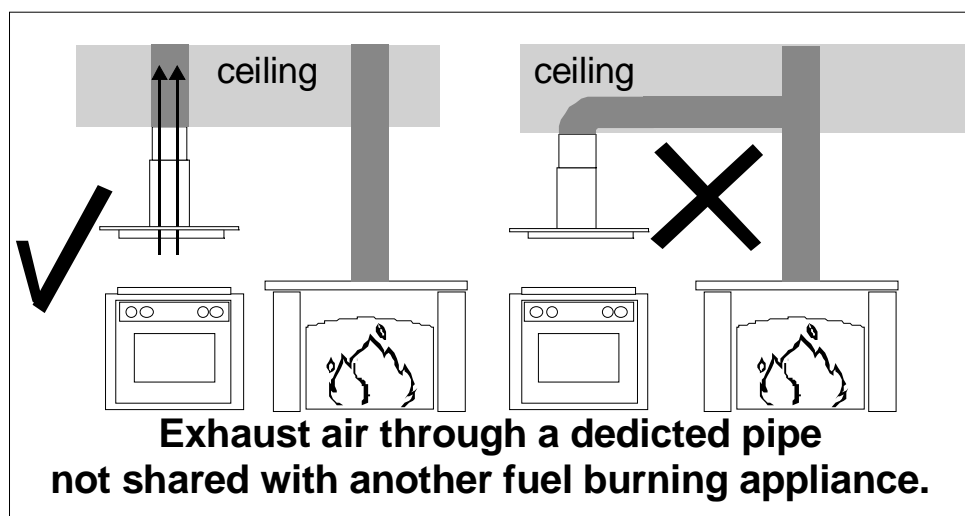
2 Venting air to the outside.

When discharging the air into a ventilation shaft or directly through the wall into the open, please take note of the following:

- Exhaust air from the extractor hood must not be directed into a flue or chimney which is used for exhausting the fumes or smoke from other appliances burning gas or fuels.
- Please ensure that regulations concerning the discharge of exhaust air have been fulfilled. (SABS IEC 60335-2-31).

For optimum extractor hood efficiency use a short, smooth, round air exhaust pipe with as few bends as possible. A 150mm diameter exhaust pipe is recommended. Long box section, narrowed or bent pipes will hinder performance and increase noise levels.

- **Connecting a 150 mm diameter pipe:** Mount the pipe directly onto the air outlet on the extractor hood.
- **Connecting a 125 mm or 100mm diameter pipe:** Attach a reducing connector (available from a specialist retailer) to the air pipe and then attach to the exhaust-air duct.



Installation.

Note:The extractor hood is intended to hang from a horizontal ceiling capable of supporting the weight of the hood. (approximately 40 kg)

Step 1

- Carefully unpack the extractor hood and component parts.
- With the assistance of a qualified installer, mount the top extension adaptor to the ceiling above the cooking surface.
- Cut a hole in the ceiling (*where applicable*) to accept a power supply cord with a fitted plug and an outlet pipe

Step 2

- Fit and secure the square tubes into the four recesses on the extractor hood, as shown, using the M8 bolts supplied.

Step 3

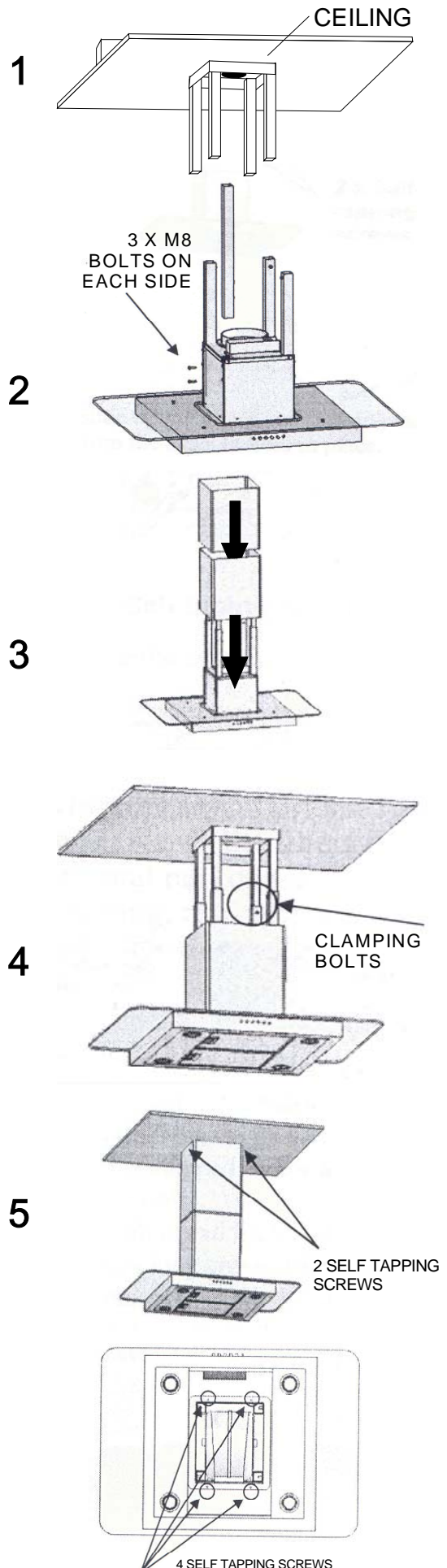
- Slide the lower chimney duct onto the extractor hood as shown.
- Slide the top chimney duct (the one with the louvers) into the lower chimney duct.

Step 4

- Remove the grease filters and lift the extractor hood assembly and slot it into the top extension adaptor.
- Adjust to a suitable height. (**minimum 750mm above the cooking surface**).
- Tighten the clamping bolts to hold the extractor in place.
- Connect the outlet pipe if required and insert the fitted plug into the 15A socket.

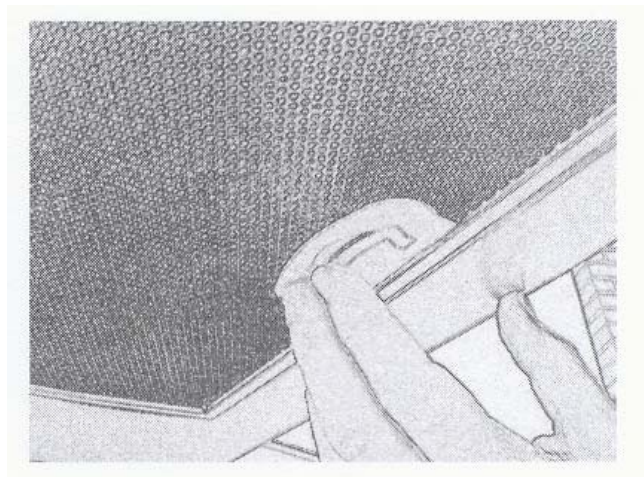
Step 5

- Slide the upper chimney duct into place against the ceiling.
- Fasten from the side.
- Fasten the lower chimney duct to the extractor hood from underneath the extractor as shown.
- Replace the grease filters.



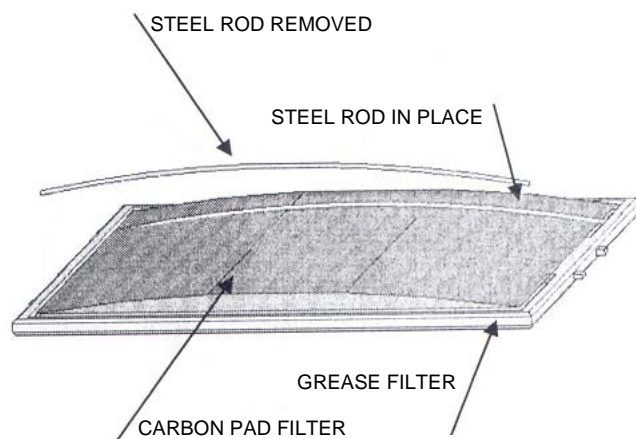
Grease filters.

- Remove the plastic outer protective lining on the grease filters before fitting them to the extractor hood.
- To fit the filters, engage the two lugs at the rear of each filter into the rectangular slots of the extractor hood frame, lift the filter and press the handle catch inwards .
- Engage the filter and release the catch.
- To remove the filter, for cleaning purposes, reverse the procedure described above.



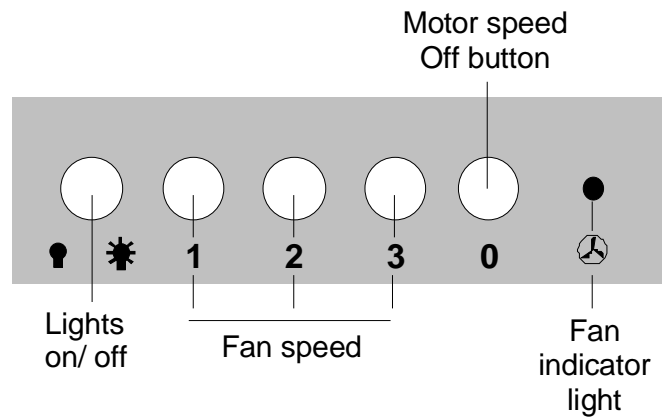
Optional Carbon pad filters.

- Carbon pad filters assist in removing any unwanted cooking odours from the atmosphere.
- If your installation ducts filtered air to the outside, the carbon pad filters are not required.
- Should you require them, factory approved, carbon pad filters and installation kits may be purchased from your nearest Defy service Centre or their authorised agents.



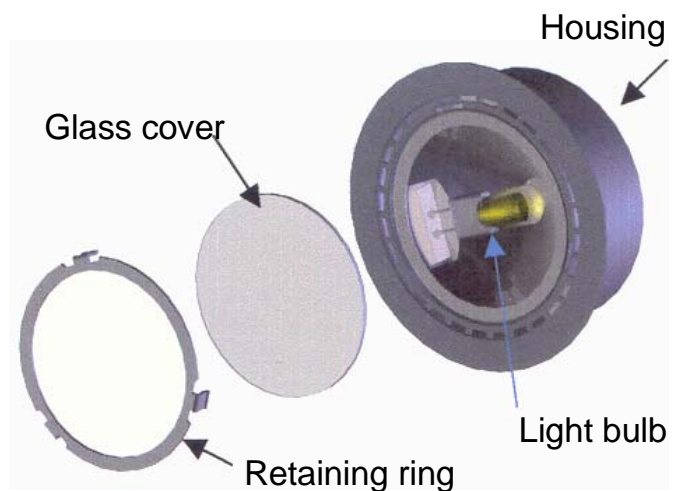
Operation.

- Select the fan speed you require.
- Push button '3' for high extraction level.
- Push button '2' for medium.
- Push button '1' for low.
- The fan indicator light will glow when the fan is operating.
- To switch the fan off, push the motor speed OFF button '0'.
- If required, you may illuminate the cooking area by switching the hood lights on.
- Leave the hood running for a short period after the cooking has been completed to clear any smoke and odours.



Replacing the light bulbs.

- Switch off the electricity supply.
- **If the bulb has recently failed, it might still be very hot. Allow the glass cover to cool before attempting to replace the bulb.**
- Hold the glass cover and unclip the retaining ring. Be careful not to let the glass cover fall.
- Replace the light bulb with a commercially available OSRAM 12V 10W or equivalent bulb.
- Fit the glass cover and replace the retaining ring.
- Switch on the electricity supply.



Maintenance and cleaning.

Important:

Before cleaning any part of the hood, switch the power off at the mains.

Cleaning the metal grease filters.

- In normal operation (1 to 2 hours daily), the metal grease filters must be cleaned every 8 to 10 weeks.
- The filters may be washed in a dishwasher, however they may discolour slightly.
- When hand cleaning the filters, soak them in hot, soapy water to loosen the grease.
- Brush with a stiff nylon brush.
- Rinse clean and allow to air dry before re-fitting.
- **If cleaning is not carried out in accordance with the instructions, the accumulated grease could, over time, become a fire risk.**

General cleaning.

Stainless steel is not adversely affected by normal household use but because of its reputation for durability, it is sometimes assumed to be indestructible, and therefore subjected to misuse or even abuse. Care should be taken to avoid such 'abnormal use'.

Cleaning materials.

Do use:

- A moist lint free soft cloth or synthetic sponge.
- Soap, or mild liquid detergent.
- A mild window cleaner.
- Diluted ammonia in warm water.
- A nylon bristle brush.
- Cleaners labelled "Suitable for stainless steel".

Do not use:

- A steam cleaner.
- Acid, alcohol, soda, chloride or spirit based cleaners.
- Coarse abrasive cleaning powders.
- Metallic scourers, steel wool, metal scrapers, or plastic scouring pads.
- Wire brushes or emery paper.
- So called "silver cleaners".

Cleaning procedure

- Frequent cleaning is recommended rather than an occasional aggressive clean.
- Routine cleaning will preserve the corrosion resistance and the appearance of the stainless steel for many years.
- Clean the stainless steel as often as necessary (i.e. when it is noticeably dull or dirty) and use the simplest cleaning method that will effectively do the job.
- Use clean water, or a mild detergent solution applied with a soft cloth or sponge. Rinse well and wipe dry.
- Always wipe in the direction of the brushed texture on the stainless steel.
- Periodically apply a fine film of dedicated stainless steel cleaner or baby oil to the canopy of the extractor hood to add lustre and sparkle to the steel.

Owner's responsibility.

NOTE: Since the following are not factory faults, they are the owner's responsibility.

- Damage to exterior finish.
- Breakage of glass and other components.
- Replacement of the light bulbs.
- Damage through improper use or installation.

Problem check.

Before calling a service technician to assist with a problem please check:

- The main distribution board. See if a circuit breaker has tripped or a fuse has blown.
- The wall socket.
- Have the filters been cleaned?
- Is the chimney blocked?

Remember that you may be charged for a service call even during the warranty period if the fault is due to or caused by any of the above.

Service.

- **If you have followed the instructions and still have a problem, contact the nearest Defy Service Centre.**
- (See list at right of page).

Other areas are serviced by over 200 authorised service agents. Consult the nearest regional service centre for details.

.BLOEMFONTEIN

160 Long Street, Hilton,
Bloemfontein 9301.
Tel. 051 400 3900
Bloemfontein.Service@defy.co.za

CAPE TOWN

5A Marconi Rd.
Montague Gardens, 7441.
Tel. 021 551 8314
CapeTown.Service@defy.co.za

DURBAN

35 Intersite Avenue,
Umgeni Business Park, Durban 4051.
Tel. 031 268 3300
Durban.Service@defy.co.za

EAST LONDON

16 Bowls Rd. Arcadia,
East London 5201.
Tel. 043 743 7100
EastLondon.Service@defy.co.za

JOHANNESBURG

Commercial Head Office,
Administration, Distribution, National Groups,
Tel. Sales, Contracts and Credit.
Cnr. Mimetes & Kruger Sts. Denver ext.12
Johannesburg. 2094.
Tel. 011 621 0200 or 011 621 0300
Gauteng.Service@defy.co.za

POLOKWANE

87 Nelson Mandela Drive.
Superbia 0699.
Tel. 0152 92 1166 / 7 / 8 / 9.
Polokwane.Service@defy.co.za

PORT ELIZABETH

112 Patterson Road,
North End, Port Elizabeth 6001.
Tel. 041 401 6400
PortElizabeth.Service@defy.co.za

PRETORIA

Block A1 Old Mutual Industrial Park.
Cnr. D.F.Malan Drive & Moot Str.
Hermanstad. 0082.
Tel. 012 377 0061

Warranty.

This certificate is issued by DEFY APPLIANCES LIMITED manufacturers of Defy and Ocean products, hereinafter the Company, to the original purchaser only, of the appliance described on the certificate and shall constitute the only warranty given in respect of this appliance.

The Company warrants to the original purchaser that for a period of TWO YEARS from date of purchase the appliance is free from defect under normal domestic use, both in workmanship and material, subject to the following conditions.

1. Repair or replacement of any part of this appliance, found by the Company to be defective, shall be at the election of the Company. The Company reserves the right to effect such service through any of its Service Divisions or Authorised Service Dealers. The cost of such service shall be borne by the Company in full, provided that the appliance is located no further than 50 km from a Company Service Centre or an Authorised Service Dealer. Where the appliance is located beyond the 50 km radius, the purchaser shall be liable for the standard travelling charges, as determined by the Company.

CARRY IN SERVICE Microwave ovens, Compact cookers and small appliances are repaired in our service centres and are not collected from the customers home. Faulty units should be delivered to the purchasing dealer or to the nearest Company Service Centre for warranty repairs.

2. Rusted or corroded plates, vitreous enamelware, fuses and lamps are specifically excluded from these warranties. It is an express condition of these warranties that the purchaser takes due care and attention in the use and maintenance of the appliance. Abuse, misuse in conflict with operating instructions, connection to incorrect voltages and subjection to commercial use shall release the Company from its obligations.

3. This warranty shall become void and cease to operate if the appliance is dismantled by, or any repairs to the appliance are effected by any persons not duly authorised by the Company, or if substitute parts not approved by the Company are used in the appliance, or if the serial number of the appliance is removed.

4. The Company shall not be responsible for damages resulting from fire, flood, civil disturbances or any Act of God. The Company shall not, in terms of these warranties be responsible nor held liable for any consequential loss or damage of any kind caused by or due to the failure or malfunction of the appliance.

5. The Company shall not be responsible for transportation or other costs other than those incurred within the provisions of Point 1 of this Certificate.

6. These warranties shall not apply to the appliance if it is purchased or used beyond the borders of the Republic of South Africa, Namibia, Botswana, Swaziland and Lesotho.

7. Where service is requested under warranty and no fault or defect can be found by the Company, all costs incurred will be for the purchaser's account.

8. This Certificate as well as your invoice will serve as proof of purchase. For the purpose of warranty, it will be essential to produce this Certificate and invoice. Failure to do so, will render the purchaser liable for service costs.

KEEP THIS CERTIFICATE AND SALES INVOICE AS PROOF OF PURCHASE FOR WARRANTY PURPOSES.

Free Manuals Download Website

<http://myh66.com>

<http://usermanuals.us>

<http://www.somanuals.com>

<http://www.4manuals.cc>

<http://www.manual-lib.com>

<http://www.404manual.com>

<http://www.luxmanual.com>

<http://aubethermostatmanual.com>

Golf course search by state

<http://golfingnear.com>

Email search by domain

<http://emailbydomain.com>

Auto manuals search

<http://auto.somanuals.com>

TV manuals search

<http://tv.somanuals.com>