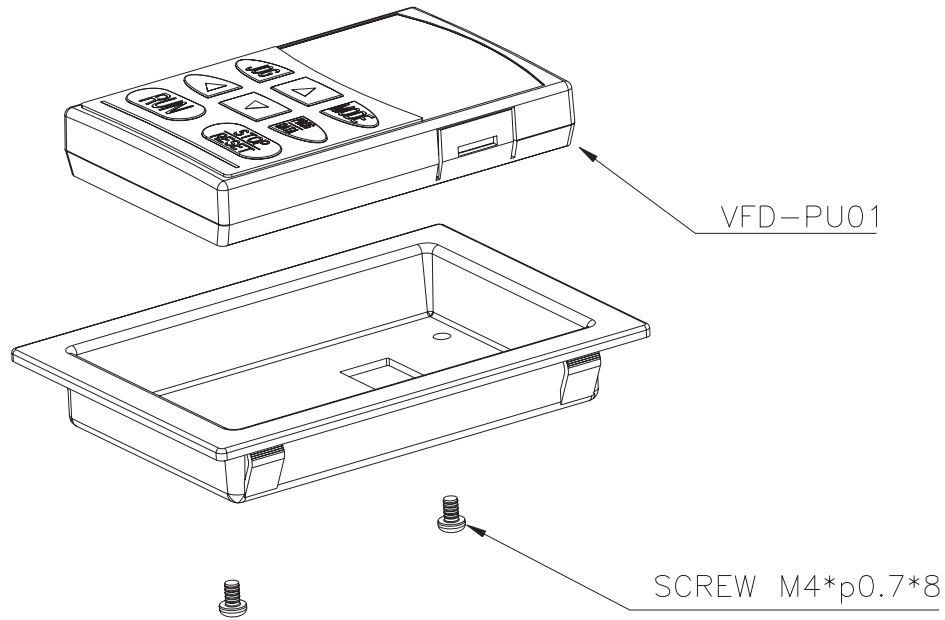


RPA-01 REMOTE PANEL ADAPTER

FOR VFD-PU01 Assembling Instruction

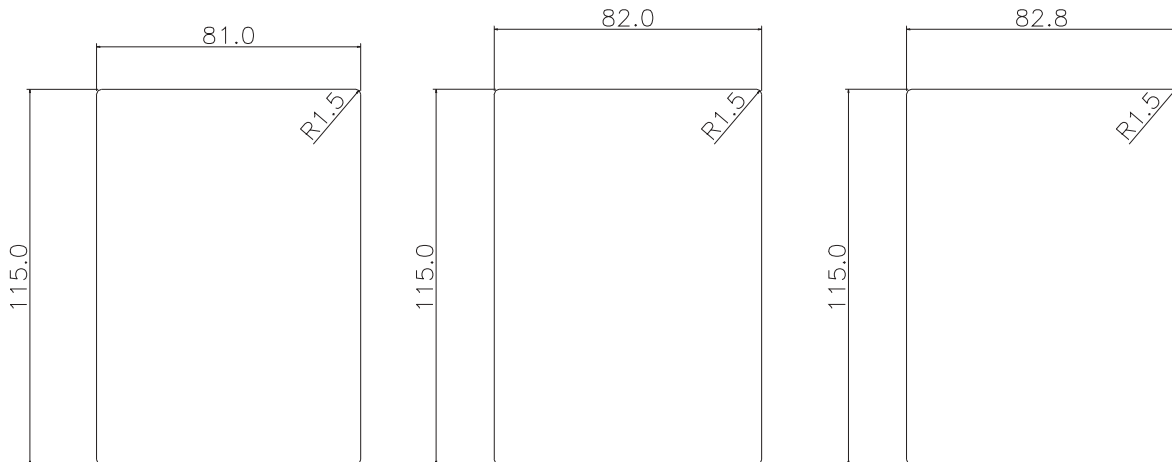


It is recommended to drill a hole according to the height of the keypad.

t = 1.0 mm to 1.4 mm

t = 1.6 mm to 2.0 mm

t = 2.2 mm to 3.0 mm



5011607600



RP01

Free Manuals Download Website

<http://myh66.com>

<http://usermanuals.us>

<http://www.somanuals.com>

<http://www.4manuals.cc>

<http://www.manual-lib.com>

<http://www.404manual.com>

<http://www.luxmanual.com>

<http://aubethermostatmanual.com>

Golf course search by state

<http://golfingnear.com>

Email search by domain

<http://emailbydomain.com>

Auto manuals search

<http://auto.somanuals.com>

TV manuals search

<http://tv.somanuals.com>