

Planar Transformer & Inductor

E/E 18

Power Capacity 50 to 100W

Core size (LxHxW) : 22x9x22 Unit : mm

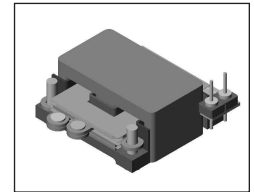
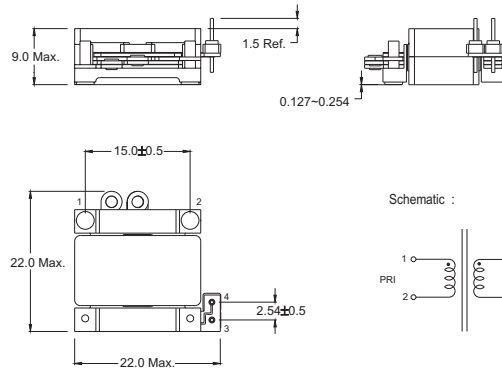
Frequency Range : 100K~500KHz

Features

- This low profile planar inductor is developed for a high power density DC-DC converter.

Mechanical Dimension:

Unit: mm



Electrical Characteristics:

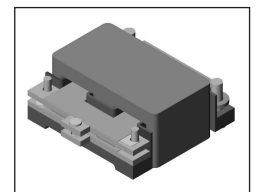
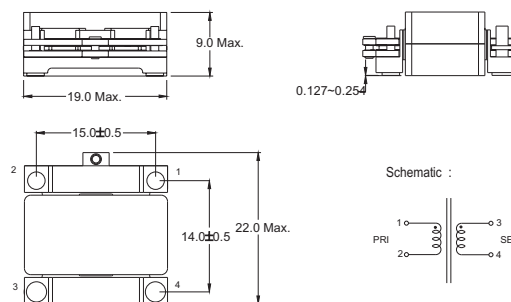
INDUCTOR									
PART NO.	INDUCTANCE		OPERATING FREQUENCY	TURN RATIO (1-2) TO (4-3)	DIELECTRIC STRENGTH		AMBIENT TEMPERATURE	WEIGHT	CURRENT UP TO
	L(1-2)	L(4-3)			PRI TO SEC	WDGS TO CORE			
PLI1810-001	1.44uH±25%	12.96uH±25%	400KHz	3 : 9	1500Vdc	500Vdc	- 10°C to +55°C	7.4gr	35 A

Features

- This planar inductor is suitable for forward converter's output inductor and it has a winding for auxiliary feed to input side.

Mechanical Dimension:

Unit: mm



Electrical Characteristics:

TRANSFORMER									
PART NO.	INDUCTANCE		OPERATING FREQUENCY	TURN RATIO (1-2) TO (4-3)	DUTY CYCLE	DIELECTRIC STRENGTH		AMBIENT TEMPERATURE	WEIGHT
	L(1-2)	L(4-3)				PRI TO SEC	WDGS TO CORE		
PLI1810-002	172.8uH±25%	10.8 uH±25%	400KHz	8 : 2	0.5 Max.	1500Vdc	500Vdc	-10°C to +55°C	7.8gr



DELTA ELECTRONICS, INC.

(TAOYUAN PLANT CPBG) 252, SAN YING ROAD, KUEISAN INDUSTRIAL ZONE, TAOYUAN SHIEN, 333, TAIWAN, R.O.C.

TEL: 886-3-3591968; FAX: 886-3-3591991

<http://www.deltawww.com>

Free Manuals Download Website

<http://myh66.com>

<http://usermanuals.us>

<http://www.somanuals.com>

<http://www.4manuals.cc>

<http://www.manual-lib.com>

<http://www.404manual.com>

<http://www.luxmanual.com>

<http://aubethermostatmanual.com>

Golf course search by state

<http://golfingnear.com>

Email search by domain

<http://emailbydomain.com>

Auto manuals search

<http://auto.somanuals.com>

TV manuals search

<http://tv.somanuals.com>