

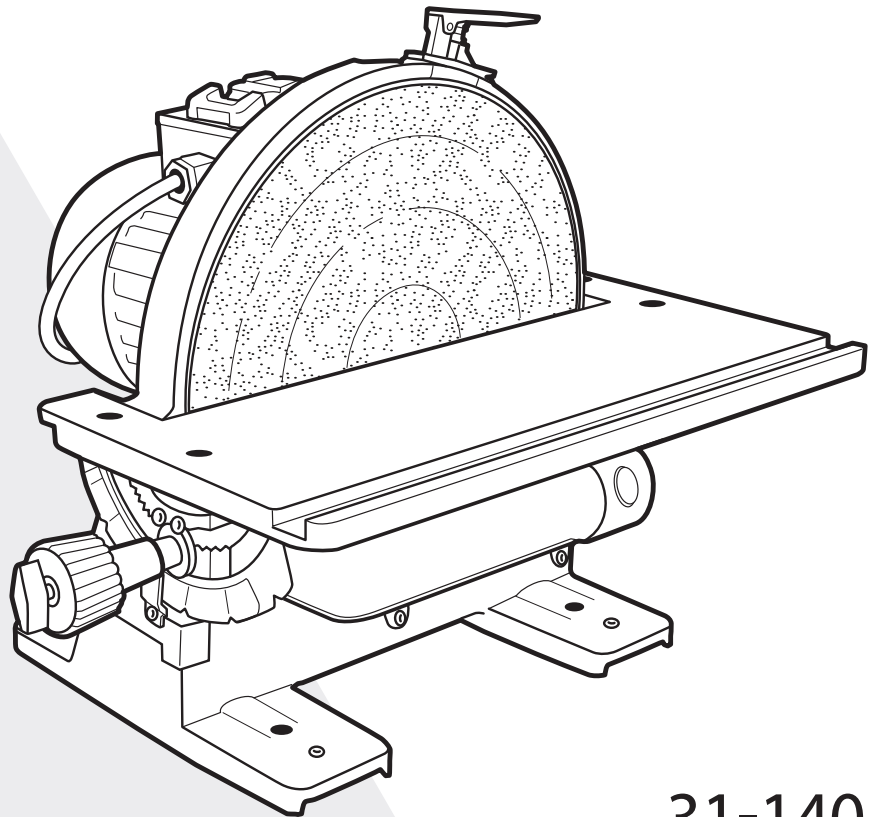


POWER EQUIPMENT CORPORATION

## 12 IN. DISC SANDER WITH INTEGRAL DUST COLLECTION

Ponceuse à disque de 30,5 cm avec  
dispositif de dépoussiérage intégré

Lijadora de disco de 30,50 cm con  
recolector de polvo integrado



Français (14)

Español (27)

[www.DeltaMachinery.com](http://www.DeltaMachinery.com)

Operating Instructions and Parts Manual  
Manuel d'utilisation  
Manual de instrucciones

INSTRUCTIVO DE OPERACIÓN, CENTROS  
DE SERVICIO Y PÓLIZA DE GARANTÍA.

**▲ ADVERTENCIA:** LÉASE ESTE INSTRUCTIVO  
ANTES DE USAR EL PRODUCTO.

31-140



# TABLE OF CONTENTS

<b>IMPORTANT SAFETY INSTRUCTIONS</b> .....	2	<b>OPERATION</b> .....	9
<b>SAFETY GUIDELINES - DEFINITIONS</b> .....	3	Starting and Stopping.....	9
<b>GENERAL SAFETY RULES</b> .....	3	Removing the Safety Key to Lock the Sander.....	9
<b>POWER CONNECTIONS</b> .....	5	Using the Manual Disc Brake.....	9
<b>MOTOR SPECIFICATIONS</b> .....	5	Angled and End Sanding Using The Miter Gauge .....	10
<b>GROUNDING INSTRUCTIONS</b> .....	5	Bevel Sanding Using the Table Tilt .....	10
<b>EXTENSION CORDS</b> .....	6	<b>ADJUSTMENTS</b> .....	11
<b>FEATURES AND COMPONENTS</b> .....	6	Adjust Miter Gauge Slot Alignment .....	11
<b>FUNCTIONAL DESCRIPTION</b> .....	7	Squaring the Table to the Sanding Disc.....	11
<b>PRODUCT SPECIFICATIONS</b> .....	7	<b>RECOMMENDED MAINTENANCE</b> .....	12
<b>UNPACKING</b> .....	7	Lubrication .....	12
<b>ASSEMBLY</b> .....	8	Routine Inspection .....	12
Install Brake Lever Assembly .....	8	Replacing Sanding Disc .....	12
Secure Tool to Supporting Surface .....	8	<b>ACCESSORIES</b> .....	12
Connect to Dust Hose to Dust Collector System.....	8	<b>WARRANTY</b> .....	13
		<b>REPLACEMENT PARTS</b> .....	13
		<b>SERVICE AND REPAIRS</b> .....	13
		<b>FRANÇAIS</b> .....	14
		<b>ESPAÑOL</b> .....	27

## IMPORTANT SAFETY INSTRUCTIONS

**⚠ WARNING:** READ AND UNDERSTAND ALL WARNINGS AND OPERATING INSTRUCTIONS BEFORE USING THIS EQUIPMENT. Failure to follow all instructions listed below, may result in electric shock, fire, and/or serious personal injury or property damage.

Woodworking can be dangerous if safe and proper operating procedures are not followed. As with all machinery, there are certain hazards involved with the operation of the product. Using the machine with respect and caution will considerably lessen the possibility of personal injury. However, if normal safety precautions are overlooked or ignored, personal injury to the operator may result. Safety equipment such as guards, push sticks, hold-downs, featherboards, goggles, dust masks and hearing protection can reduce your potential for injury. But even the best guard won't make up for poor judgment, carelessness or inattention. **Always use common sense** and exercise caution in the workshop. If a procedure feels dangerous, don't try it. Figure out an alternative procedure that feels safer. **REMEMBER:** Your personal safety is your responsibility. For additional information please visit our website [www.DeltaMachinery.com](http://www.DeltaMachinery.com).



**⚠ WARNING:** This machine was designed for certain applications only. DELTA® Power Equipment Corporation strongly recommends that this machine not be modified and/or used for any application other than that for which it was designed. If you have any questions relative to a particular application, DO NOT use the machine until you have first contacted DELTA® to determine if it can or should be performed on the product.

If you have any questions relative to its application DO NOT use the product until you have written DELTA® Power Equipment Corporation and we have advised you. Contact us online at [www.DeltaMachinery.com](http://www.DeltaMachinery.com) or by mail at Technical Service Manager, DELTA® Power Equipment Corporation, 99 Roush Street, Anderson, South Carolina 29625.

Information regarding the safe and proper operation of this tool is available from the following sources:

- Power Tool Institute, 1300 Sumner Avenue, Cleveland, OH 44115-2851 or online at [www.powertoolinstitute.com](http://www.powertoolinstitute.com)
- National Safety Council, 1121 Spring Lake Drive, Itasca, IL 60143-3201
- American National Standards Institute, 25 West 43rd Street, 4 floor, New York, NY 10036 [www.ansi.org](http://www.ansi.org) - ANSI O1.1 Safety Requirements for Woodworking Machines
- U.S. Department of Labor regulations [www.osha.gov](http://www.osha.gov)

# SAFETY GUIDELINES - DEFINITIONS

This manual contains information that is important for you to know and understand. This information relates to protecting YOUR SAFETY and PREVENTING EQUIPMENT PROBLEMS. To help you recognize this information, we use the symbols below. Please read the manual and pay attention to these sections.

**⚠ DANGER:** Indicates an imminently hazardous situation which, if not avoided, will result in death or serious injury.

**⚠ WARNING:** Indicates a potentially hazardous situation which, if not avoided, could result in death or serious injury.

**⚠ CAUTION:** Indicates a potentially hazardous situation which, if not avoided, may result in minor or moderate injury.

**CAUTION** Used without the safety alert symbol indicates potentially hazardous situation which, if not avoided, may result in property damage.

## GENERAL SAFETY RULES

**⚠ WARNING:** WARNING FAILURE TO FOLLOW THESE RULES MAY RESULT IN SERIOUS PERSONAL INJURY.

- **FOR YOUR OWN SAFETY, READ AND UNDERSTAND THE INSTRUCTION MANUAL BEFORE OPERATING THE UNIT.** Learn the unit's application and limitations as well as the specific hazards peculiar to it.
- **KEEP WORK AREA CLEAN.** Cluttered areas and benches invite accidents.
- **DON'T USE IN DANGEROUS ENVIRONMENT.** Don't use this unit in damp or wet locations, or expose it to rain. Keep work area well-lighted.
- **KEEP CHILDREN AND VISITORS AWAY.** All children and visitors should be kept a safe distance from work area.
- **DISCONNECT UNIT** before servicing.
- **CHECK DAMAGED PARTS.** Before further use of the unit, properly repair or replace any part that is damaged.

**⚠ WARNING:** FAILURE TO FOLLOW THESE RULES MAY RESULT IN SERIOUS INJURY.

1. Read and understand the warnings posted on the machine and in this manual. Failure to comply with all of these warnings may cause serious injury.
2. Replace the warning labels if they become obscured or removed.
3. This Disc Sander is designed and intended for use by properly trained and experienced personnel only. If you are not familiar with the proper and safe operation of an edge sander, do not use until proper training and knowledge have been obtained.
4. Do not use this machine for other than its intended use. If used for other purposes, DELTA® Power Equipment Company, Inc. disclaims any real or implied warranty and holds itself harmless from any injury that may result from that use.
5. Always wear approved safety glasses/face shields while using this disc sander.
6. Before operating this sander, remove tie, rings, watches and other jewelry, and roll sleeves up past the elbows. Remove all loose clothing and confine long hair. Non-slip footwear or anti-skid floor strips are recommended. Do not wear gloves.
7. Wear ear protectors (plugs or muffs) during extended periods of operation.
8. Some dust created by power sanding, sawing, grinding, drilling and other construction activities contain chemicals known to cause cancer, birth defects or other reproductive harm. Some examples of these chemicals are:
  - Lead from lead based paint.
  - Crystalline silica from bricks, cement and other masonry products.
  - Arsenic and chromium from chemically treated lumber.
9. Do not operate this machine while tired or under the influence of drugs, alcohol or any medication.
10. Make certain the switch is in the OFF position before connecting the machine to the power source.
11. Make certain the machine is properly grounded.
12. Make all machine adjustments or maintenance with the machine unplugged from the power source.
13. Form a habit of checking to see that all extra equipment such as adjusting keys, wrenches, scrap, stock, and cleaning rags are removed away from the machine before turning on.
14. Keep safety guards in place at all times when the

**Your risk of exposure varies, depending on how often you do this type of work.** To reduce your exposure to these chemicals, work in a well-ventilated area and work with approved safety equipment, such as face or dust masks that are specifically designed to filter out microscopic particles.

*continued on page 4*

machine is in use. If removed for maintenance purposes, use extreme caution and replace the guards immediately when maintenance is complete.

15. Make sure the sander is firmly secured before use.
16. Check damaged parts. Before further use of the machine, a guard or other part that is damaged should be carefully checked to determine that it will operate properly and perform its intended function. Check for alignment of moving parts, binding of moving parts, breakage of parts, mounting and any other conditions that may affect its operation. A guard or other part that is damaged should be properly repaired or replaced.
17. Provide for adequate space surrounding work area and non-glare, overhead lighting.
18. Keep the floor around the machine clean and free of scrap material, oil and grease.
19. Keep visitors a safe distance from the work area. Keep children away.
20. Make your workshop child proof with padlocks, master switches or by removing starter keys.
21. Give your work undivided attention. Looking around, carrying on a conversation and "horse-play" are careless acts that can result in serious injury.
22. Maintain a balanced stance at all times so that you do not fall or lean against the sanding disc or other moving parts. Do not overreach or use excessive force to perform any machine operation.
23. Use the right tool at the correct speed and feed rate. Do not force a tool or attachment to do a job for

which it was not designed. The right tool will do the job better and safer.

24. Use recommended accessories; improper accessories may be hazardous.
25. Maintain machinery with care. Follow instructions for lubricating and changing accessories.
26. Turn off the machine before cleaning. Use a brush or compressed air to remove dust or debris — do not use your hands.
27. Do not stand on the machine. Serious injury could occur if the machine tips over.
28. Never leave the machine running unattended. Turn the power off and do not leave the machine until it comes to a complete stop.
29. At all times hold the stock firmly.
30. Do not use this sander for other than its intended use. If used for other purposes, DELTA® Power Equipment Corporation disclaims any real or implied warranty and holds itself harmless for any injury or damage which may result from that use.

Familiarize yourself with the following safety notices used in this manual:

**⚠ CAUTION:**

This means that if precautions are not heeded, it may result in minor injury and/or possible machine damage.

**⚠ WARNING:**

This means that if precautions are not heeded, it may result in serious injury or possibly even death.

**SAVE THESE INSTRUCTIONS.**  
Refer to them often and use them to instruct others.

## POWER CONNECTIONS

A separate electrical circuit should be used for your machines. This circuit should not be less than #12 wire and should be protected with a 20 Amp time lag fuse. If an extension cord is used, use only 3-wire extension cords which have 3-prong grounding type plugs and matching receptacle which will accept the machine's plug. Before connecting the machine to the power line, make sure the switch (s) is in the "OFF" position and be sure that the electric current is of the same characteristics as indicated on the machine. All line connections should make good contact. Running on low voltage will damage the machine.

**⚠ DANGER:** DO NOT EXPOSE THE MACHINE TO RAIN OR OPERATE THE MACHINE IN DAMP LOCATIONS.

## MOTOR SPECIFICATIONS

Your machine is wired for 115 volts, 60 HZ alternating current. Before connecting the machine to the power source, make sure the switch is in the "OFF" position.

## GROUNDING INSTRUCTIONS

**⚠ DANGER:** THIS MACHINE MUST BE GROUNDED WHILE IN USE TO PROTECT THE OPERATOR FROM ELECTRIC SHOCK.

### 1. All grounded, cord-connected machines:

In the event of a malfunction or breakdown, grounding provides a path of least resistance for electric current to reduce the risk of electric shock. This machine is equipped with an electric cord having an equipment-grounding conductor and a grounding plug. The plug must be plugged into a matching outlet that is properly installed and grounded in accordance with all local codes and ordinances.

Do not modify the plug provided - if it will not fit the outlet, have the proper outlet installed by a qualified electrician.

Improper connection of the equipment-grounding conductor can result in risk of electric shock. The conductor with insulation having an outer surface that is green with or without yellow stripes is the equipment-grounding conductor. If repair or replacement of the electric cord or plug is necessary, do not connect the equipment-grounding conductor to a live terminal.

Check with a qualified electrician or service personnel if the grounding instructions are not completely understood, or if in doubt as to whether the machine is properly grounded.

Use only 3-wire extension cords that have 3-prong grounding type plugs and matching 3-conductor receptacles that accept the machine's plug, as shown in Fig. A.

Repair or replace damaged or worn cord immediately.

**⚠ DANGER:** IN ALL CASES, MAKE CERTAIN THE RECEPTACLE IN QUESTION IS PROPERLY GROUNDED. IF YOU ARE NOT SURE, HAVE A QUALIFIED ELECTRICIAN CHECK THE RECEPTACLE.

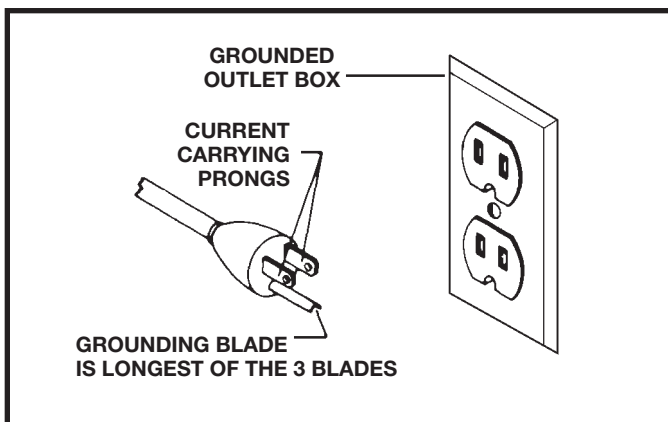


FIG. A

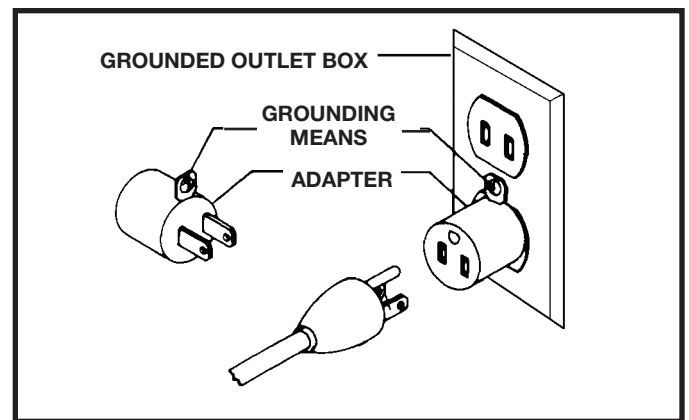


FIG. B

## EXTENSION CORDS

**⚠CAUTION:** Use proper extension cords. Make sure your extension cord is in good condition and is a 3-wire extension cord which has a 3-prong grounding type plug and matching receptacle which will accept the machine's plug. When using an extension cord, be sure to use one heavy enough to carry the current of the machine. An undersized cord will cause a drop in line voltage, resulting in loss of power and overheating. The table shows the correct gauge to use depending on the cord length. If in doubt, use the next heavier gauge. The smaller the gauge number, the heavier the cord.

MINIMUM GAUGE EXTENSION CORD			
RECOMMENDED SIZES FOR USE WITH STATIONARY ELECTRIC MACHINES			
Ampere Rating	Volts	Total Length of Cord in Feet	Gauge of Extension Cord
0-6	120	up to 25	18 AWG
0-6	120	25-50	16 AWG
0-6	120	50-100	16 AWG
0-6	120	100-150	14 AWG
6-10	120	up to 25	18 AWG
6-10	120	25-50	16 AWG
6-10	120	50-100	14 AWG
6-10	120	100-150	12 AWG
10-12	120	up to 25	16 AWG
10-12	120	25-50	16 AWG
10-12	120	50-100	14 AWG
10-12	120	100-150	12 AWG
12-16	120	up to 25	14 AWG
12-16	120	25-50	12 AWG
12-16	120	GREATER THAN 50 FEET NOT RECOMMENDED	

FIG. C

## KEY FEATURES AND COMPONENTS

- A. Cast iron tilting table
- B. Disc plate
- C. Sanding disc
- D. 2 1/4" dust port
- E. Power switch
- F. Table locking wing nut
- G. Miter gauge slot
- H. Disc brake
- I. 1/2 HP, 120V motor
- J. Safety key
- K. Table tilt adjustment knob

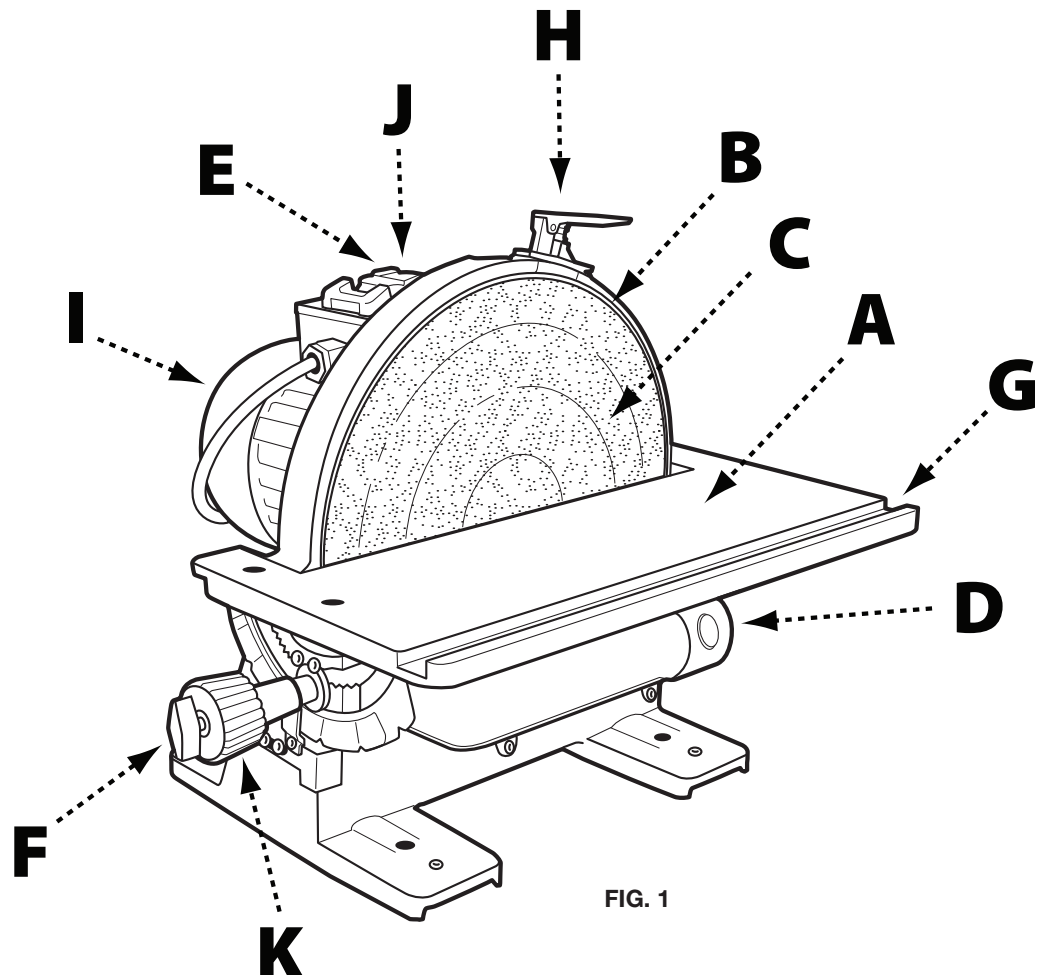


FIG. 1

# FUNCTIONAL DESCRIPTION

The DELTA® 12" Disc Sander is designed for sanding or polishing flat or beveled surfaces on wood and plastic materials.

# PRODUCT SPECIFICATIONS

Speed:	1725 RPM
Disc Diameter:	12"
Table Tilt:	+45° to -45°
Height:	15"
Width:	17 ¼"
Shipping Weight:	81 lbs
Motor:	½ HP, 120 V, 1 Phase, 60 HZ
Table Size:	17 ¼" x 6 ¼"
Dust Collection Outlet:	2 ¼"
Miter Gauge Groove:	3/8" x 3/4"
Length:	17 ¾"
Weight:	72 lbs

# UNPACKING

**⚠ WARNING:** The machine is heavy, be careful when removing it from the shipping container! Failure to comply may cause serious injury and/or damage to the sander and/or property!

Your DELTA® 12" Disc Sander comes packed in a single container. Use a safety strap to avoid tip-over when lifting machine. Check shipping carton and machine for damage before unpacking.

Open the shipping container. Carefully remove packaging materials, parts and machine from shipping carton. Always check for and remove protective shipping materials around motors and moving parts. Lay out all parts on a clean work surface and check that all parts are present and in good condition:

## DESCRIPTION (QUANTITY)

- 12" disc sander (1)
- Dust collection hose with 2 ¼" port adaptor (1)
- Brake lever assembly (1)
- Miter gauge
- 2.5mm Allen wrench (1)
- 4mm Allen wrench (1)

Compare the items to inventory figures; verify that all items are accounted for before discarding the shipping box. Report any missing or damaged parts to your distributor or dealer. Prior to tool assembly and use, read this manual thoroughly to familiarize yourself with proper assembly, maintenance and safety procedures.

Remove any protective materials and coatings from all of the parts and the disc sander. The protective coatings can be removed by spraying WD-40 on them and wiping it off with a soft cloth. This may need redone several times before all of the protective coatings are removed completely

**⚠ WARNING:** If any parts are missing, do not attempt to plug in the power cord and turn "ON" the machine. The machine should only be turned "ON" after all the parts have been obtained and installed correctly.



# ASSEMBLY

## INSTALL BRAKE LEVER ASSEMBLY

- Refer to Figure 2 and remove the 2 hex screws (A) from the disc housing using the 2.5mm Allen wrench supplied.
- Align the screw holes in the brake lever assembly (B) with the holes in the disc housing and secure using the hex screws removed in Step 1.

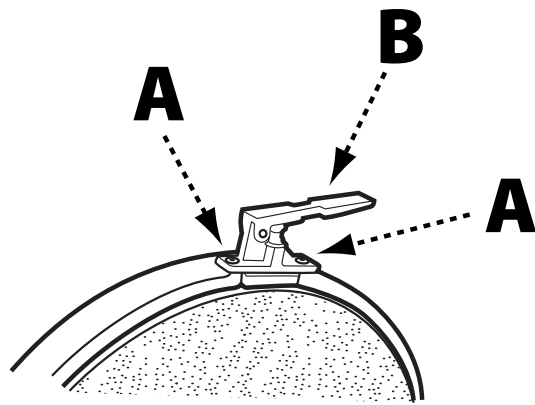


FIGURE 2

## SECURE TOOL TO SUPPORTING SURFACE

**Important:** If during operation there is any tendency for the sander to tip over, slide or walk on the supporting surface, the sander must be secured to the supporting surface.

To secure the sander to the supporting surface, use screws or bolts and nuts through the four holes (A) as shown in Figure 3.

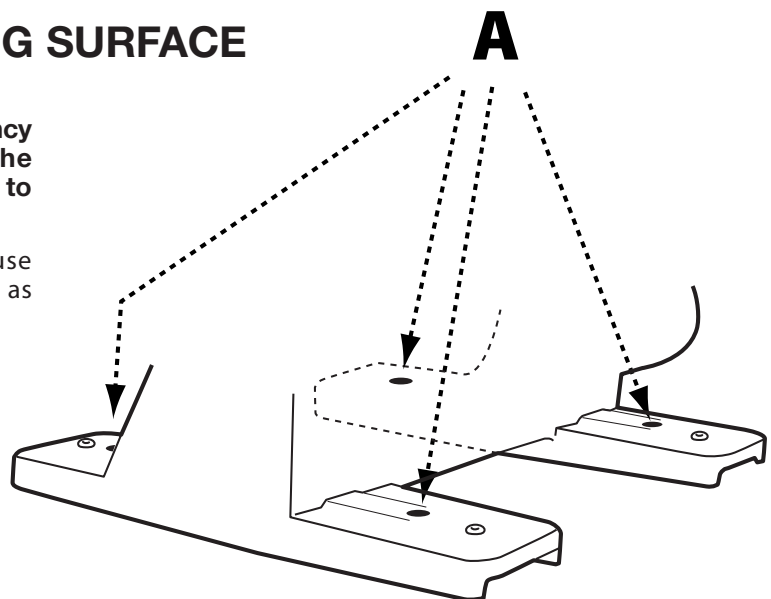


FIGURE 3

## CONNECT DUST HOSE TO DUST COLLECTOR SYSTEM

The 12" Disc Sander has an efficient, integral fan which provides excellent dust collection. It is recommended that the machine be attached to a dust collector using the 2 1/4" dust port (A) shown in Figure 4.

If a dust collector is not available, insert one end of the supplied dust hose (B) into the dust port and place the other end of the dust hose into a garbage can or other receptacle.

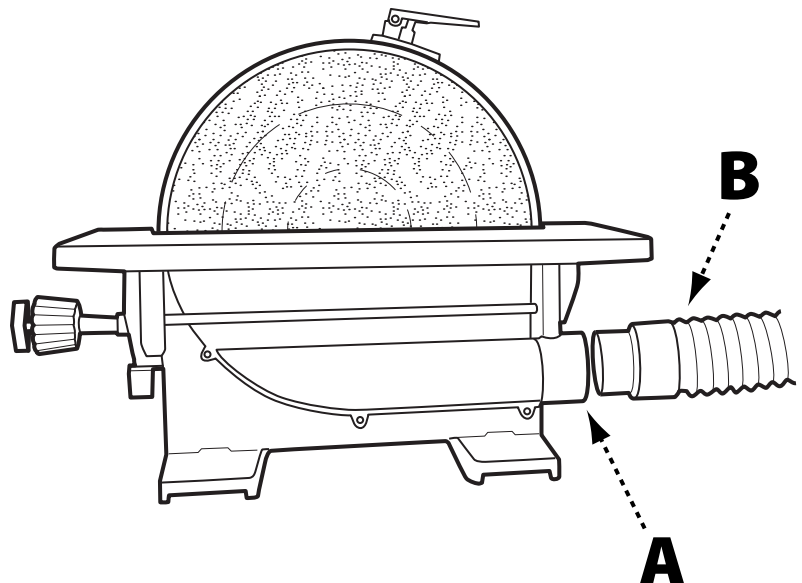


FIGURE 4



# OPERATION

## STARTING AND STOPPING SANDER

**⚠ CAUTION:** Failure to read and understand the instructions, warnings and safety guidelines provided in this manual may lead to serious injury and / or damage to machine or the work piece.

**⚠ CAUTION:** Be sure the sanding disc is securely installed onto the disc plate.

**⚠ CAUTION:** Make sure the table tilt locking levers are secured and that the table is locked in place at the desired angle or tilt.

**⚠ CAUTION:** Make sure the machine is installed on a flat, sturdy and stable surface able to support the weight of the machine and the work piece to be sanded.

**NOTE:** The DELTA® 12" Disc Sander uses a Safety Key (A), shown in Figure 5. The Safety Key must be in place in order to operate the machine. Before attempting to turn on the sander, ensure the Safety Key is installed.

- The ON/OFF switch (B) is located on the top of the motor. To turn the sander "ON", move the switch toward rear of sander.
- To turn the sander "OFF", move switch to the front position as shown.

**NOTE:** The sanding disc on this sander rotates counterclockwise. In order to prevent injury and produce good results, always sand on the left side of the table only. Never work on the right side of the table where the disc is rotating up as it is difficult to control the work piece.

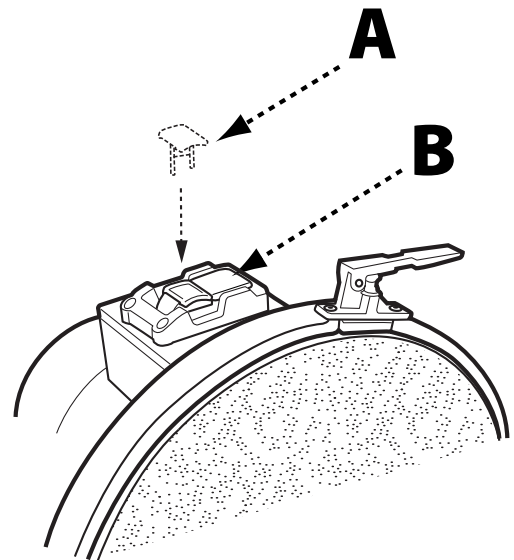


FIGURE 5

## REMOVING THE SAFETY KEY TO LOCK SANDER

When the tool is not in use, the switch should be locked in the "OFF" position. This can be done by grasping the Safety Key (A), shown in Figure 5, and pulling it out of the switch. With the Safety Key removed the switch

will not operate. Should the Safety Key be removed while the machine is running, the switch can be turned "OFF" once, but cannot be restarted without inserting the Safety Key.

## USING THE MANUAL DISC BRAKE

**⚠ WARNING:** Apply the brake when the switch is in the "off" position only. Applying the brake while switch is in the "on" position may damage the machine.

This 12" Disc Sander is equipped with a manual disc brake that brings the sanding disc to a safe stop once the power switch has been turned to the "OFF" position. The manual disc brake should only be used once the sander has been turned off. To apply the manual disc brake, press down on brake lever (A) as shown in Figure 6.

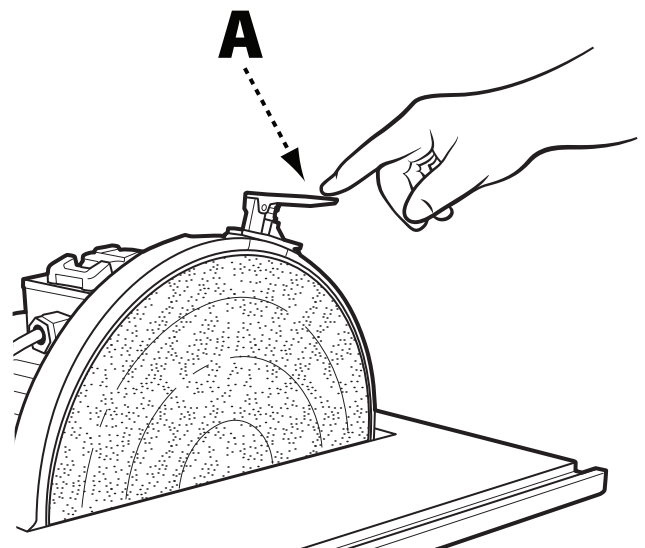


FIGURE 6

# OPERATION

## ANGLED AND END SANDING USING THE MITER GAUGE

The majority of work performed on the DELTA® 12" Disc Sander is usually accomplished using the table as a support. For accurate sanding of angled and end-grain surfaces, as shown in Figure 7, your disc sander comes with an adjustable miter gauge (A) and 3/8" x 3/4" t-slot (B) machined into the table. To use the provided miter gauge for angled or end-grain sanding, do the following:

**⚠ CAUTION:** make certain machine is disconnected from power source before making adjustments.

- Slide the miter gauge into the t-slot.
- Loosen the miter adjustment handle (C) by rotating it to the left and adjust the miter gauge to the desired sanding angle. Tighten the miter adjustment handle.

- Ensure the workpiece is positioned along the miter gauge before turning the machine on and starting to work.

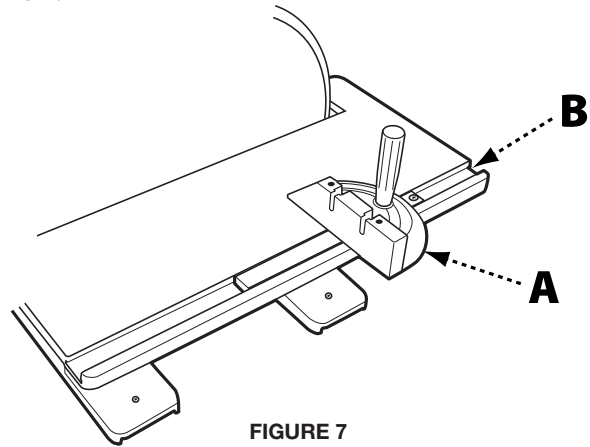


FIGURE 7

## BEVEL SANDING USING THE TABLE TILT

**⚠ CAUTION:** Make certain machine is disconnected from power source before making adjustments.

The table can be tilted up to 45 degrees up or down. A scale (A), Figure 8, and pointer (B) are provided to indicate the degree of tilt. Ball-indent positive stops on the tilt adjustment indicator are located at 0°, 35°, and 45°.

To tilt the table up or down, loosen table locking wing nut (C) and rotate the knob (D). As the knob is rotated, the table will pivot either up or down. Turning the knob clockwise will make the table tilt downward. Turning the knob counterclockwise will tilt the table upward. Pivot the table until desired angle is established. Then tighten table locking wing nut.

**⚠ WARNING:** Regardless of which position the table is tilted, the table edge (E), shown in Figure 10, must be no more than 1/16" from the sanding disc to avoid trapping the work or fingers between the table and sanding disc. To adjust the position of the table relative to the sanding disc, see "adjusting miter gauge slot alignment" on page 11.

**⚠ WARNING:** We suggest that all bevel sanding applications be performed with the table tilted down as shown in Figure 9; however, if there is a need to tilt the table up, the workpiece must be securely fastened or clamped to a fixture or jig to prevent the workpiece from being torn from hands and becoming trapped between the table and sanding disc. See Figure 10.

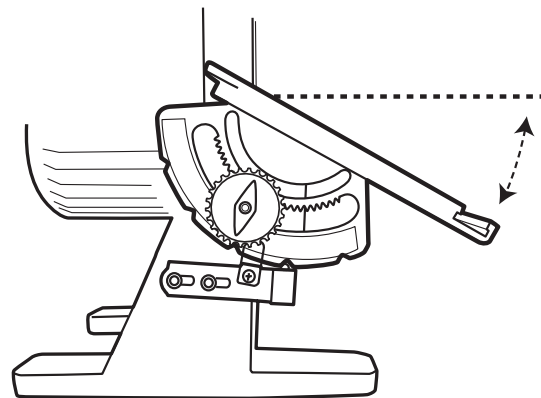


FIGURE 9

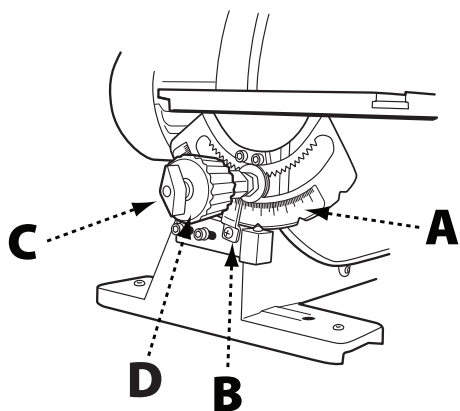


FIGURE 8

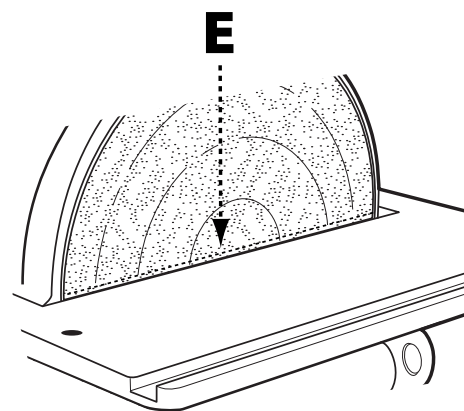


FIGURE 10

# ADJUSTMENTS

## ADJUSTING MITER GAGE SLOT ALIGNMENT

**⚠ CAUTION:** Make certain machine is disconnected from power source before making adjustments.

- Check to see if the miter gage slot (A), shown in Figure 11, is parallel with the disc by placing a combination square in the miter gage slot with one end of the square against the disc as shown.
- Using a pencil, make a mark on the abrasive disc where the square contacts the disc.
- Rotate the disc 180° and check the distance between the disc and miter gauge slot at the opposite end of the table. If an adjustment is necessary, proceed as follows:

**NOTE:** When making the following adjustment, ensure the table locking wing nut is tightened.

- Using the supplied hex wrench, loosen the four screws (B) indicated in Figure 12, which secure the table to the trunnions.
- Adjust the table by moving it in or out until the miter gage slot is equidistant from the disc at both ends of the table.
- Tighten the four screws securing the table to the trunnions.

**⚠ WARNING:** To avoid trapping the work or fingers between the table and sanding disc, the table edge should be positioned a maximum of 1/16" from the sanding disc.

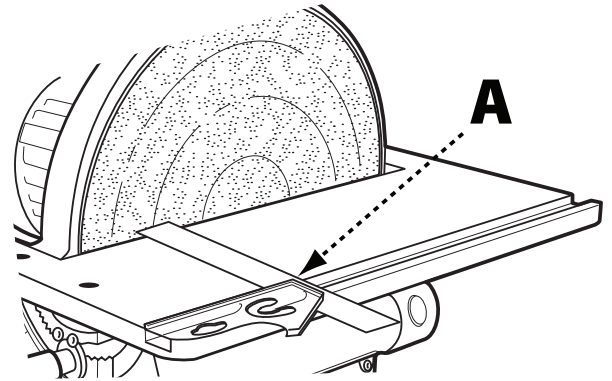


FIGURE 11

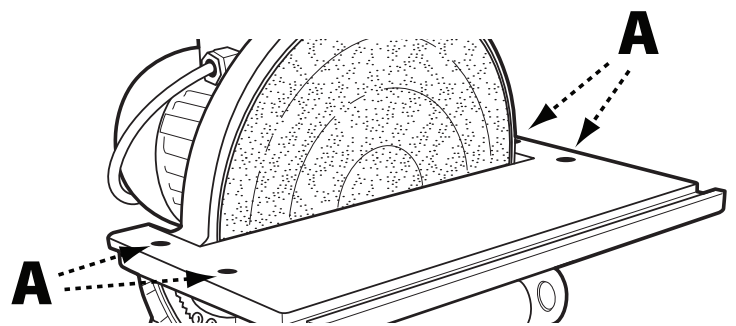


FIGURE 12

## SQUARING TABLE TO THE SANDING DISC

**⚠ CAUTION:** Make certain machine is disconnected from power source before making adjustments.

- Referring to Figure 13, ensure table tilt indicator (A) is set to 0°.
- Place an accurate square on the table with one end of the square against the disc. If the table is not square to the disc, proceed as follows:
- Loosen the table locking wing nut (B).
- Locate the 0° set screw which is located beneath the table and loosen the retaining nut on the set screw.
- Rotate the 0° set screw and re-measure using the square, repeating until the table is square with the abrasive disc.
- Once the table is square, retighten the retaining nut on the 0° set screw.
- Tighten table locking wing nut.
- Re-calibrate table tilt indicator by loosening the indicator retaining screw and positioning the tilt indicator to the 0° mark on the scale.
- Tighten indicator retaining screw.

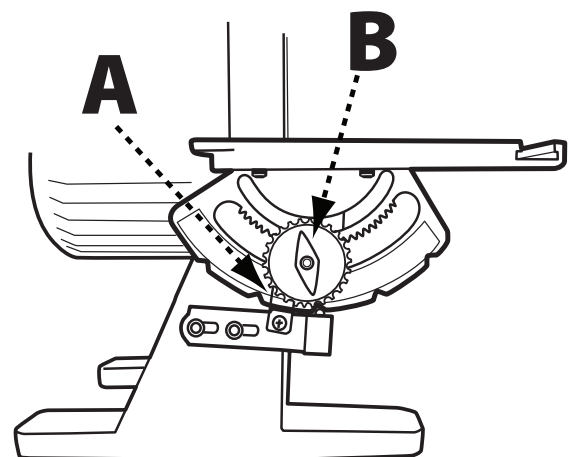


FIGURE 13

# RECOMMENDED MAINTENANCE

**NOTE:** Disconnect machine from power source before performing any maintenance.

## LUBRICATION

All bearings are sealed and permanently lubricated. No further lubrication is needed.

## ROUTINE INSPECTION

It is recommended that you periodically inspect your spindle sander as a precautionary action. During this time, check for the following:

- Inspect all hardware, fittings and fasteners that may have loosened due to vibration and re-tighten as needed.
- Check for dust and/or wood particles that may have accumulated on or in the machine. Check all dust collection fittings – re-tighten as needed.
- Inspect the ON/OFF SWITCH for damage before each use. Periodically inspect the power cord and plug for damage. If necessary replace the power cord and the plug at the first signs of visible damage.

## REPLACING THE SANDING DISC

**⚠ CAUTION:** Make certain machine is disconnected from power source.

- To remove sanding disc (A), simply peel old abrasive disc from machine as shown.
- To install a new abrasive disc, make sure the disc plate (B) is clean, dry, and free from any oil, grease, or old adhesive.
- Peel back half the adhesive backing from the new disc and slide between the table and disc plate so that the half without the backing is aligned with the top half of the disc plate.
- Press top half of sanding disc onto top half of disc plate.
- Manually rotate disc plate one-half turn, remove remainder of adhesive backing and firmly press sanding disc onto disc plate.

**⚠ WARNING:** Make certain the sanding disc is securely in position before connecting machine to a power source.

# ACCESSORIES

A complete line of accessories is available from your DELTA® Supplier, DELTA® Factory Service Centers, and DELTA® Authorized Service Centers. Please visit our Web Site [www.DeltaMachinery.com](http://www.DeltaMachinery.com) for an online catalog or for the name of your nearest supplier.

**⚠ WARNING:** Since accessories other than those offered by DELTA® have not been tested with this product, use of such accessories could be hazardous. For safest operation, only DELTA® recommended accessories should be used with this product.

# WARRANTY

To register your tool for warranty service visit our website at [www.DeltaMachinery.com](http://www.DeltaMachinery.com).

## Five Year Limited New Product Warranty

DELTA® will repair or replace, at its expense and at its option, any new DELTA® machine, machine part, or machine accessory which in normal use has proven to be defective in workmanship or material, provided that the customer returns the product prepaid to a DELTA® factory service center or authorized service station with proof of purchase of the product within five years and provides DELTA® with reasonable opportunity to verify the alleged defect by inspection. For all refurbished DELTA® product, the warranty period is 180 days. DELTA® will not be responsible for any asserted defect which has resulted from normal wear, misuse, abuse or repair or alteration made or specifically authorized by anyone other than an authorized DELTA® service facility or representative. Under no circumstances will DELTA® be liable for incidental or consequential damages resulting from defective products. Some states do not allow the exclusion or limitation of incidental or consequential damages, so the above limitation or exclusion may not apply to you. This warranty is DELTA®'s sole warranty and sets forth the customer's exclusive remedy, with respect to defective products; all other warranties, express or implied, whether of merchantability, fitness for purpose, or otherwise, are expressly disclaimed by DELTA®. For further detail of warranty coverage and warranty repair information, visit [www.DeltaMachinery.com](http://www.DeltaMachinery.com) or call 1-800-223-7278. This warranty gives you specific legal rights and you may have other rights which vary in certain states or provinces.

**LATIN AMERICA:** This warranty does not apply to products sold in Latin America. For products sold in Latin America, see country specific warranty information contained in the packaging, call the local company or see website for warranty information.

## PARTS, SERVICE OR WARRANTY ASSISTANCE

All DELTA® Machines and accessories are manufactured to high quality standards and are serviced by a network of DELTA® Factory Service Centers and DELTA® Authorized Service Centers. To obtain additional information regarding your DELTA® quality product or to obtain parts, service, warranty assistance, or the location of the nearest service center, please call 1-800-223-7278.

### REPLACEMENT PARTS

Use only identical replacement parts. For a parts list or to order parts, visit our website at [www.DeltaMachinery.com](http://www.DeltaMachinery.com). You can also order parts from your nearest factory-owned branch, Authorized Warranty Service Center or by calling Technical Service Manager at 1-800-223-7278 to receive personalized support from one of our highly-trained representatives.

### FREE WARNING LABEL REPLACEMENT

If your warning labels become illegible or are missing, call 1-800-223-7278 for a free replacement.



### SERVICE AND REPAIRS

All quality tools will eventually require servicing and/or replacement of parts. For information about DELTA® Power Equipment Corporation, its factory-owned branches, or to locate an Authorized Warranty Service Center, visit our website at [www.DeltaMachinery.com](http://www.DeltaMachinery.com) or call our Customer Care Center at 1-800-223-7278. All repairs made by our service centers are fully guaranteed against defective material and workmanship. We cannot guarantee repairs made or attempted by others. By calling this number you can also find answers to most frequently asked questions.

You can also write to us for information at DELTA® Power Equipment Corporation, 99 Roush Street, Anderson, South Carolina 29625 - Attention: Technical Service Manager. Be sure to include all of the information shown on the nameplate of your tool (model number, type, serial number, date code, etc.)

# CONSIGNES DE SÉCURITÉ IMPORTANTES

**⚠ AVERTISSEMENT :** **NEZ-VOUS D'AVOIR BIEN LU ET COMPRIS TOUTES LES MISES EN GARDE ET LES CONSIGNES D'UTILISATION AVANT D'UTILISER CET ÉQUIPEMENT.** Le fait de ne pas respecter toutes les instructions ci-dessous, peut avoir pour conséquence : choc électrique, incendie et/ou blessures graves ou dégâts matériels.



Le travail du bois peut être dangereux si des procédures d'utilisation sécuritaires et adéquates ne sont pas respectées. Comme c'est le cas pour toute pièce de machinerie, l'utilisation de ce produit comporte certains dangers. En utilisant cet appareil selon les directives et avec prudence, vous réduirez de façon importante les risques de blessures corporelles. Cependant, si les précautions normales de sécurité sont négligées ou ignorées, la personne qui utilise l'appareil pourrait être blessée. L'équipement de protection comme les gardes, les poussoirs, les dispositifs de retenue, les planches de protection, les lunettes de sécurité, les masques antipoussière et la protection pour l'ouïe peut réduire le risque de blessure. Cependant, même le meilleur dispositif de protection ne peut compenser un mauvais jugement, un manque de prudence ou de l'inattention. **Ayez toujours recours à votre bon sens** et soyez prudent dans l'atelier. Si une manœuvre a l'air dangereuse, ne l'effectuez pas. Essayez plutôt de trouver un moyen plus facile. **RAPPELEZ-VOUS** : Vous êtes responsable de votre propre sécurité. Pour des renseignements complémentaires, rendez-vous sur notre site web à l'adresse [www.DeltaMachinery.com](http://www.DeltaMachinery.com).

**⚠ AVERTISSEMENT :** L'appareil a été conçu seulement pour certains types d'utilisation. DELTA<sup>MD</sup> Power Equipment Corporation recommande fortement que cet appareil ne soit ni modifié ni utilisé à toute autre fin que celles pour lesquelles il a été conçu. Si vous avez des questions sur un type d'utilisation en particulier, N'UTILISEZ PAS l'appareil avant d'avoir d'abord contacté DELTA<sup>MD</sup> pour déterminer si elle peut ou si elle devrait être réalisée avec ce produit.

Si vous avez des questions sur son utilisation, N'UTILISEZ PAS le produit tant que vous n'avez pas écrit à DELTA<sup>MD</sup> Power Equipment Corporation et obtenu une réponse de leur part. Contactez-nous en ligne sur [www.DeltaMachinery.com](http://www.DeltaMachinery.com) ou par courrier à l'adresse suivante : responsable du service technique, DELTA<sup>MD</sup> Power Equipment Corporation, 99 Roush Street, Anderson, South Carolina 29625.

- Des renseignements au sujet de l'utilisation sécuritaire et appropriée de cet appareil sont disponibles auprès des sources suivantes :
- Power Tool Institute, 1300 Sumner Avenue, Cleveland, OH 44115-2851 ou en ligne à l'adresse [www.powertoolinstitute.com](http://www.powertoolinstitute.com)
- National Safety Council, 1121 Spring Lake Drive, Itasca, IL 60143-3201
- American National Standards Institute, 25 West 43rd Street, 4 floor, New York, NY 10036 ou en ligne à l'adresse [www.ansi.org](http://www.ansi.org) - ANSI 01.1 Safety Requirements for Woodworking Machines
- Réglementation du Département américain du travail (OSHA) à l'adresse [www.osha.gov](http://www.osha.gov)

## CONSIGNES DE SÉCURITÉ - DÉFINITIONS

Ce manuel contient des informations qu'il est important de connaître et de comprendre. Ces informations ont pour but d'assurer VOTRE SÉCURITÉ et de PRÉVENIR LES PROBLÈMES D'ÉQUIPEMENT. Pour vous aider à reconnaître ces informations, nous utilisons les symboles ci-dessous. Veuillez lire le manuel et prêter attention à ces sections-là.

**⚠ DANGER:** Indique une situation extrêmement dangereuse qui, si elle n'est pas évitée, entraînera la mort ou une blessure grave.

**⚠ AVERTISSEMENT :** Indique une situation potentiellement dangereuse qui, si elle n'est pas évitée, pourrait entraîner la mort ou une blessure grave.

**⚠ ATTENTION:** Indique une situation potentiellement dangereuse qui, si elle n'est pas évitée, peut entraîner une blessure mineure ou modérée.

**ATTENTION:** Utilisé sans le symbole d'avertissement, indique une situation potentiellement dangereuse qui, si elle n'est pas évitée, peut endommager l'appareil.



# RÈGLES DE SÉCURITÉ GÉNÉRALES

**⚠ AVERTISSEMENT :** LE NON-RESPECT DE CES RÈGLES PEUT ENTRAÎNER DES BLESSURES PERSONNELLES GRAVES.

- **POUR VOTRE PROPRE SÉCURITÉ, ASSUREZ-VOUS D'AVOIR BIEN LU ET COMPRIS LE MANUEL D'UTILISATION AVANT DE FAIRE FONCTIONNER L'APPAREIL.** Apprenez à connaître son domaine d'utilisation et ses limites, ainsi que les dangers qui lui sont rattachés.
- **MAINTENEZ L'AIRE DE TRAVAIL PROPRE.** Les aires et les bancs de travail encombrés sont propices aux accidents.
- **NE PAS UTILISER DANS UN ENVIRONNEMENT DANGEREUX.** N'utilisez pas cet appareil dans un endroit humide ou mouillé, et ne l'exposez pas à la pluie. Gardez votre lieu de travail bien éclairé.
- **MAINTENEZ LES ENFANTS ET LES VISITEURS À L'ÉCART.** Tous les enfants et visiteurs doivent demeurer à une distance sécuritaire de l'aire de travail.
- **DÉBRANCHEZ L'APPAREIL** avant toute opération d'entretien.
- **VÉRIFIEZ LA PRÉSENCE DE PARTIES ENDOMMAGÉES.** Avant d'utiliser l'appareil, assurez-vous de bien réparer ou remplacer toute partie endommagée.

**⚠ AVERTISSEMENT :** LE NON-RESPECT DE CES RÈGLES PEUT ENTRAÎNER DES BLESSURES GRAVES.

1. Assurez-vous de lire et comprendre les avertissements affichés sur l'appareil et dans ce manuel. Le non-respect de tous ces avertissements peut entraîner des blessures graves.
  2. Remplacer les étiquettes d'avertissement si elles sont masquées ou si elles ont été retirées.
  3. Cette ponceuse à disque est conçue pour l'utilisation par un personnel qualifié et expérimenté seulement. Si vous n'avez pas l'habitude d'utiliser correctement et en toute sécurité une ponceuse de contour, ne vous en servez pas avant d'avoir acquis les connaissances et la formation appropriées.
  4. Ne pas utiliser cet appareil pour autre chose que son usage prévu. S'il est utilisé à d'autres fins, DELTA<sup>MD</sup> Power Equipment Company, Inc. décline toute garantie réelle ou implicite et se dégage de toute responsabilité pour toute blessure qui pourrait résulter de cette utilisation.
  5. Portez toujours des lunettes/masque de protection agréés durant l'utilisation de cette ponceuse à disque.
  6. Avant d'utiliser cette ponceuse, enlevez cravate, bagues, montres et autres bijoux, et retrousses vos manches au-dessus du coude. Retirez tous les vêtements amples et retenez les cheveux longs. Il est recommandé de porter des chaussures antidérapantes ou de poser des bandes de plancher antidérapantes. Ne pas porter de gants.
  7. Portez des protecteurs pour l'ouïe (bouchons ou manchons) pendant les longues périodes d'utilisation.
  8. Certaines poussières produites par les activités de ponçage, de sciage, de meulage, de perçage ainsi que d'autres activités de construction peuvent contenir des produits chimiques pouvant causer le cancer, des anomalies congénitales ou d'autres problèmes liés aux fonctions reproductrices. En voici des exemples :
    - Plomb de peintures à base de plomb;
    - Silice cristalline de briques, de ciment et d'autres produits de maçonnerie;
    - Arsenic et chrome de bois de sciage traité chimiquement.
- Votre risque à ces expositions varie, selon la fréquence à laquelle vous effectuez ce genre d'activité.** Pour réduire l'exposition à ces produits chimiques, travaillez dans un endroit bien ventilé et avec de l'équipement de protection approuvé, comme les masques antipoussières spécialement conçus pour filtrer les particules microscopiques
9. Ne pas utiliser cet appareil en état de fatigue ou avec les facultés affaiblies par la drogue, l'alcool ou les médicaments.
  - 10 Avant de brancher l'appareil sur la source d'alimentation, assurez-vous que le commutateur est en position « OFF » (« Arrêt »).
  11. Assurez-vous que la machine est correctement mise à la terre.
  12. Faites les réglages de la machine ou son entretien que lorsque celle-ci est débranchée de la source d'alimentation.
  13. Prenez l'habitude de vérifier que tout l'équipement supplémentaire comme les clés de réglage, les clés à molette, la ferraille, le matériel et les chiffons de nettoyage a été éloigné de la machine avant de la mettre en marche.
  14. Gardez les dispositifs de protection en place en tout temps lorsque l'appareil est utilisé. Faites preuve d'une extrême prudence s'ils sont enlevés à des fins d'entretien et remettez-les en place dès la fin de l'entretien.
  15. Assurez-vous de la stabilité de la ponceuse avant de l'utiliser.
  16. Vérifiez si des parties sont endommagées. Avant d'utiliser l'appareil, il faut vérifier soigneusement le dispositif de protection ou toute autre partie endommagée afin de s'assurer que l'appareil fonctionnera correctement et remplira sa fonction prévue. Vérifiez l'alignement des pièces mobiles



- et leurs joints, tout bris de pièce et du cadrage et toute autre condition qui pourrait en modifier le fonctionnement. Toute garde ou autre partie endommagée doit être réparée ou remplacée sans délai.
17. Prévoyez un espace suffisant autour de la zone de travail et un éclairage en plongée non éblouissant.
  18. Gardez le plancher autour de l'appareil propre et exempt de débris, d'huile et de graisse.
  19. Gardez les visiteurs à une distance sécuritaire de la zone de travail. Tenez les enfants à distance.
  20. Sécurisez votre atelier pour les enfants avec des cadenas, des commutateurs principaux ou en retirant les clés de mise en marche.
  21. Concentrez-vous uniquement sur le travail. Regarder aux alentours, tenir une conversation et faire du « chahut » sont des actes négligents qui peuvent entraîner des blessures graves.
  22. Ayez toujours une posture stable afin de ne pas tomber et de ne pas vous appuyer contre le disque de ponçage ou d'autres éléments en mouvement. Évitez de vous pencher trop en avant ou de forcer de manière excessive en utilisant l'appareil.
  23. Utilisez l'outil approprié à la bonne vitesse et au bon débit. Ne forcez pas un outil ou un accessoire à effectuer une tâche pour laquelle il n'a pas été conçu. Le bon outil fera mieux le travail et sera plus sécuritaire.
  24. Utilisez les pièces recommandées. Les accessoires inadéquats peuvent être dangereux.
  25. Entretenez les appareils avec soin. Suivez les indications pour la lubrification et le changement d'accessoires.

26. Débranchez l'appareil avant le nettoyage. Utilisez une brosse ou de l'air comprimé pour enlever la poussière ou des débris; n'utilisez pas vos mains.
27. Ne vous tenez pas debout sur l'appareil. Des blessures graves pourraient se produire si l'appareil se renverse.
28. Ne jamais laisser l'appareil sans surveillance lorsqu'il est en marche. Débranchez l'appareil et ne le laissez pas sans surveillance jusqu'à son arrêt complet.
29. Tenez la poignée fermement en tout temps.
30. N'utilisez pas cette ponceuse pour d'autres fins que celles pour lesquelles elle est prévue. Si elle est utilisée à d'autres fins, DELTAMD Power Equipment Company Inc. décline toute garantie réelle ou implicite et se dégage de toute responsabilité pour toute blessure qui pourrait résulter de cette utilisation.

Familiarisez-vous avec les règles de sécurité enseignées dans ce manuel :

#### **⚠ ATTENTION :**

Cela signifie que le non-respect des précautions peut entraîner des blessures superficielles et/ou endommager l'appareil.

#### **⚠ AVERTISSEMENT :**

Cela signifie que le non-respect des précautions peut causer des blessures graves pouvant même entraîner la mort.

## **CONSERVER CES CONSIGNES.**

**Consultez-les souvent et utilisez-les pour enseigner aux autres.**

## RACCORDEMENTS

Un circuit électrique séparé devrait être utilisé pour vos appareils. Les fils du circuit doivent être au moins de calibre 12 et être protégés par un fusible à action différée de 20 ampères. Si vous utilisez une rallonge, ne prenez que des rallonges à trois fils avec des fiches de mise à la terre à trois broches et le réceptacle correspondant qui acceptera la fiche de l'appareil. Avant de brancher l'appareil sur l'alimentation, assurez-vous que le commutateur est en position « OFF » (« Arrêt ») et que le courant électrique que vous allez utiliser possède les mêmes caractéristiques que celui indiqué sur l'appareil. Tous les raccordements doivent établir un bon contact. Une utilisation en basse tension endommagera l'appareil.

**⚠ DANGER: NE PAS UTILISER L'APPAREIL DANS UN ENDROIT HUMIDE OU MOUILLÉ ET NE PAS L'EXPOSER À LA PLUIE.**

## SPÉCIFICATIONS DU MOTEUR

Votre appareil est câblé pour un courant alternatif de 115 Volts, 60 Hz. Avant de raccorder l'appareil à la source d'alimentation, assurez-vous que l'interrupteur est positionné sur « OFF » (ARRÊT).

## CONSIGNES DE MISE À LA TERRE

**⚠ DANGER: CET APPAREIL DOIT ÊTRE MIS À LA TERRE LORSQU'IL EST UTILISÉ POUR PROTÉGER L'OPÉRATEUR CONTRE L'ÉLECTROCUTION.**

### 1. Pour tous les appareils raccordés à un cordon d'alimentation et mis à la terre :

En cas de mauvais fonctionnement ou de panne, la mise à la terre fournit un chemin de moindre résistance au courant électrique visant à réduire le risque d'électrocution. Cet appareil est équipé d'un cordon électrique possédant un conducteur de terre et une fiche de terre. La fiche doit être branchée sur une prise correspondante qui est correctement installée et mise à la terre, conformément à tous les codes et les règlements locaux.

Ne pas modifier la fiche prévue. Si elle n'entre pas dans la prise, faire installer une prise appropriée par un électricien agréé.

Le raccordement inapproprié du conducteur de terre de l'équipement peut provoquer l'électrocution. Le fil conducteur avec un isolant comportant une surface extérieure verte, avec ou sans rayures jaunes, est le conducteur de terre. Si la réparation ou le remplacement du cordon électrique ou de la fiche s'avère nécessaire, ne pas raccorder le conducteur de terre de l'équipement à une borne sous tension.

Si les consignes de mise à la terre ne sont pas complètement comprises ou en cas de doute concernant la mise à la terre de l'appareil, se renseigner auprès d'un électricien ou du personnel de service agréés.

Utiliser uniquement des rallonges à trois fils avec des fiches de mise à la terre à trois broches et des réceptacles adaptés à la fiche de l'appareil, comme indiqué à la Fig. A.

Réparer ou remplacer immédiatement tout cordon endommagé ou usé.

**⚠ DANGER: DANS TOUS LES CAS, ASSUREZ-VOUS QUE LE RÉCEPTACLE EN QUESTION EST BIEN RELIÉ À LA TERRE. SI VOUS N'ÊTES PAS CERTAIN, FAITES VÉRIFIER LE RÉCEPTACLE PAR UN ÉLECTRICIEN QUALIFIÉ.**

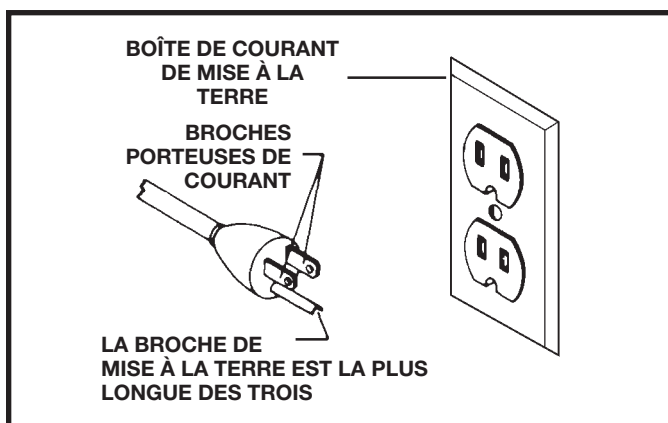


FIG. A

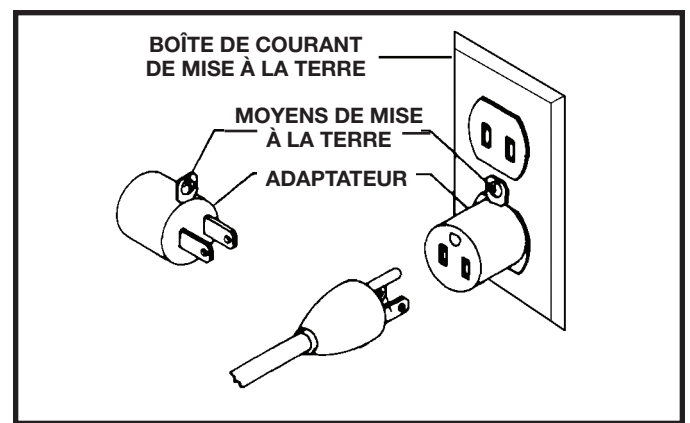


FIG. B

## RALLONGES

**⚠ ATTENTION :** Utiliser des rallonges appropriées. S'assurer que la rallonge est en bon état et qu'il s'agit d'une rallonge à trois fils avec une fiche de mise à la terre à trois broches et d'un réceptacle correspondant à la fiche de l'appareil. Lorsque vous utilisez une rallonge, assurez-vous qu'elle soit de calibre suffisamment élevé pour assurer l'alimentation de l'appareil. Une rallonge d'un calibre trop petit provoquera une chute de tension, entraînant une perte de puissance et une surchauffe. Le tableau indique le bon calibre à utiliser en fonction de la longueur de la rallonge. En cas de doute, utiliser le calibre immédiatement supérieur. Plus le numéro de calibre est petit, plus le cordon est épais.

CALIBRE MINIMUM POUR RALLONGE			
CALIBRES RECOMMANDÉS POUR UTILISATION SUR DES APPAREILS ÉLECTRIQUES STATIONNAIRES			
Ampérage	Volts	Longueur totale du cordon en pieds	Calibre de la rallonge
0 À 6	120	JUSQU'À 25 PI	18 AWG
0 À 6	120	25 À 50 (7,62 À 15,24 M)	16 AWG
0 À 6	120	50 À 100 (15,24 À 30,48 M)	16 AWG
0 À 6	120	100 À 150 (30,48 À 45,72 M)	14 AWG
6 À 10	120	JUSQU'À 25 PI	18 AWG
6 À 10	120	25 À 50 (7,62 À 15,24 M)	16 AWG
6 À 10	120	50 À 100 (15,24 À 30,48 M)	14 AWG
6 À 10	120	100 À 150 (30,48 À 45,72 M)	12 AWG
10 À 12	120	JUSQU'À 25 PI	16 AWG
10 À 12	120	25 À 50 (7,62 À 15,24 M)	16 AWG
10 À 12	120	50 À 100 (15,24 À 30,48 M)	14 AWG
10 À 12	120	100 À 150 (30,48 À 45,72 M)	12 AWG
12 À 16	120	JUSQU'À 25 PI	14 AWG
12 À 16	120	25 À 50 (7,62 À 15,24 M)	12 AWG
12 À 16	120	UNE LONGUEUR DE PLUS DE 50 PI N'EST PAS RECOMMANDÉE.	

FIG. C

## CARACTÉRISTIQUES ET COMPOSANTES IMPORTANTES

- A. Table en fonte inclinable
- B. Support de disque
- C. Disque de ponçage
- D. Sortie de poussière de 5,71 cm
- E. Interrupteur
- F. Papillon de serrage de la table
- G. Rainure pour guide à onglets
- H. Frein à disque
- I. Moteur de 1/2 HP, 120 V
- J. Clé de sécurité
- K. Bouton de réglage de l'inclinaison de la table

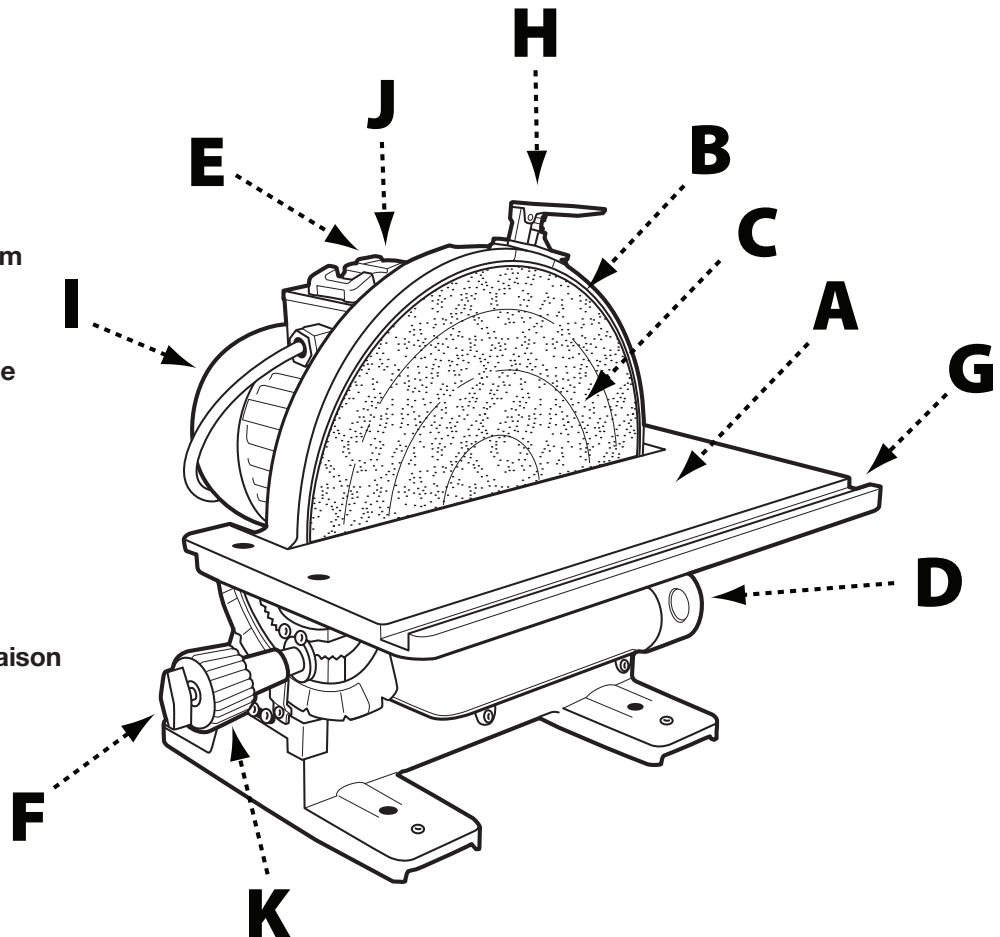


FIG. 1

# DESCRIPTION FONCTIONNELLE

La ponceuse à disque DELTA<sup>MD</sup> de 30,5 cm est conçue pour poncer ou polir les surfaces plates ou inclinées sur des matériaux en bois et en plastique.

## SPÉCIFICATIONS DU PRODUIT

Vitesse :	1725 tr/min
Diamètre du disque :	30,5 cm
Inclinaison de la table :	de + 45 ° à - 45 °
Hauteur :	38,10 cm
Largeur :	43,81 cm
Poids à l'expédition :	36,74 kg
Moteur :	1/2 HP, 120 V, 1 Phase, 60 Hz
Dimension de la table :	43,81 cm par 15,87 cm
Orifice de dépoussiérage :	5,71 cm
Rainure pour guide à onglets :	0,95 cm par 1,90 cm
Longueur :	45,08 cm
Poids :	32,65 kg

## DÉBALLAGE

**▲ AVERTISSEMENT :** L'appareil est lourd, soyez prudent lorsque vous le retirez de l'emballage d'expédition! Le non-respect des indications peut entraîner des blessures graves et/ou endommager la ponceuse et/ou le matériel!

Votre ponceuse à disque DELTA<sup>MD</sup> de 30,5 cm est livrée dans un emballage unique. Placez une sangle de sécurité autour de l'appareil pour éviter qu'il ne bascule lors du levage. Vérifiez la présence de dommages sur le carton d'expédition et l'appareil avant de le déballer.

Ouvrez l'emballage d'expédition. Enlevez soigneusement les matériaux d'emballage, les pièces et l'appareil de l'emballage d'expédition. Toujours vérifier et retirer les matériaux d'emballage de protection autour des moteurs et des pièces mobiles. Étalez toutes les pièces sur une surface de travail propre et vérifiez que toutes les pièces sont présentes et en bon état :

### DESCRIPTION (QUANTITÉ)

- Ponceuse à disque de 30,5 cm (1)
- Tuyau de dépoussiérage avec sortie de poussière de 5,71 cm adaptateur (1)
- Ensemble de levier de frein (1)
- Guide à onglets
- Clé Allen de 2,5 mm (1)
- Clé Allen de 4 mm (1)

Comparez les articles avec la liste d'inventaire. Vérifiez la présence de tous les éléments avant de jeter la boîte d'expédition. Signalez toute pièce manquante ou endommagée à votre distributeur ou à votre revendeur. Avant de passer à l'assemblage de l'appareil et à son utilisation, lisez attentivement le présent manuel pour vous familiariser avec les procédures d'assemblage, d'entretien et de sécurité appropriées.

Retirez tout matériau de protection et tout emballage de l'ensemble des éléments et de la ponceuse à disque. Les enduits de protection peuvent être enlevés en les pulvérisant de WD-40 et en les essuyant avec un chiffon doux. Il peut être nécessaire de répéter cette étape plusieurs fois pour enlever l'intégralité des enduits de protection.

**▲ AVERTISSEMENT :** S'il y a des pièces manquantes, n'essayez pas de brancher le cordon d'alimentation et de mettre l'appareil en marche (« ON »). L'appareil doit seulement être mis en marche (« ON ») quand toutes les pièces auront été obtenues et correctement installées.

# ASSEMBLAGE

## INSTALLATION DE L'ENSEMBLE DE LEVIER DE FREIN

- Référez-vous à la Figure 2 et retirez les 2 vis à 6 pans (A) du support de disque en utilisant la clé Allen de 2,5 mm fournie.
- Alignez les trous de vis de l'ensemble de levier de frein (B) avec ceux du support de disque et fixez ces deux parties en utilisant les vis à 6 pans que vous avez retirées à l'étape 1.

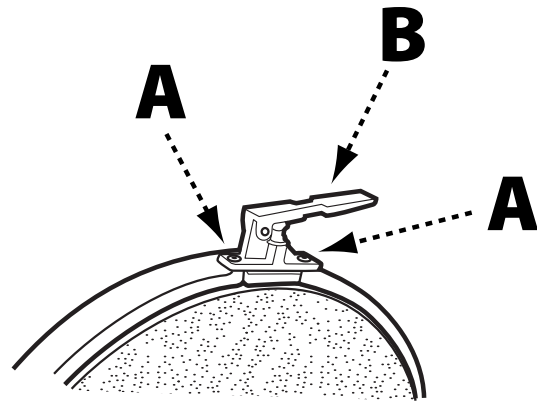


FIGURE 2

## POSITIONNEMENT DE L'OUTIL SUR LA SURFACE D'APPUI

**Important :** Pendant l'utilisation, si la ponceuse a tendance à basculer, glisser ou se déplacer, celle-ci doit être solidement fixée sur la surface d'appui.

Pour fixer la ponceuse sur la surface d'appui, placez des vis ou des boulons et des écrous dans les quatre trous (A) comme indiqué à la Figure 3.

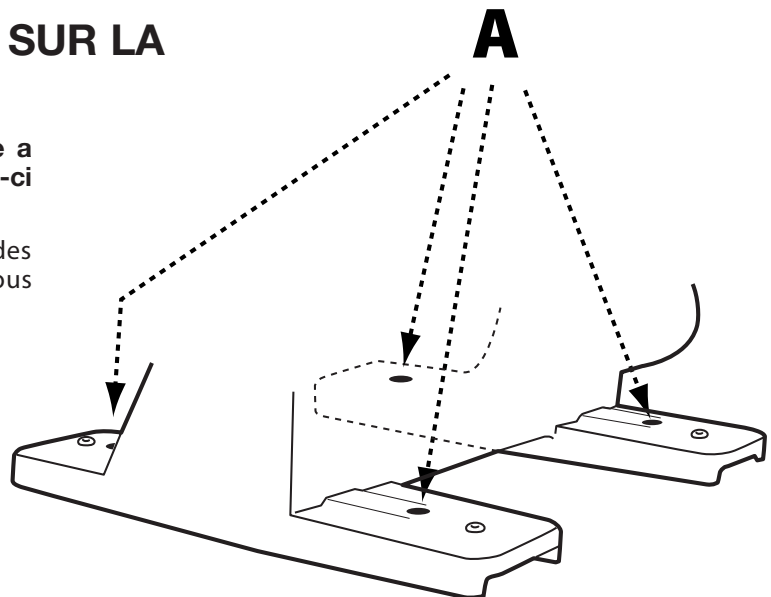


FIGURE 3

## CONNEXION DU TUYAU DE DÉPOUSSIÉRAGE AU SYSTÈME DE DEPOUSSIÉRAGE

La ponceuse à disque de 30,5 cm a un ventilateur intégré efficace qui permet une excellente récupération de la poussière. Il est recommandé de connecter l'appareil à un dispositif de dépoussiérage avec la sortie de poussière de 5,71 cm (A) comme indiqué à la Figure 4.

Si vous ne possédez pas de dispositif de dépoussiérage, insérez une extrémité du tuyau fourni (B) dans la sortie de poussière et placez l'autre extrémité du tuyau dans une poubelle ou tout autre récipient.

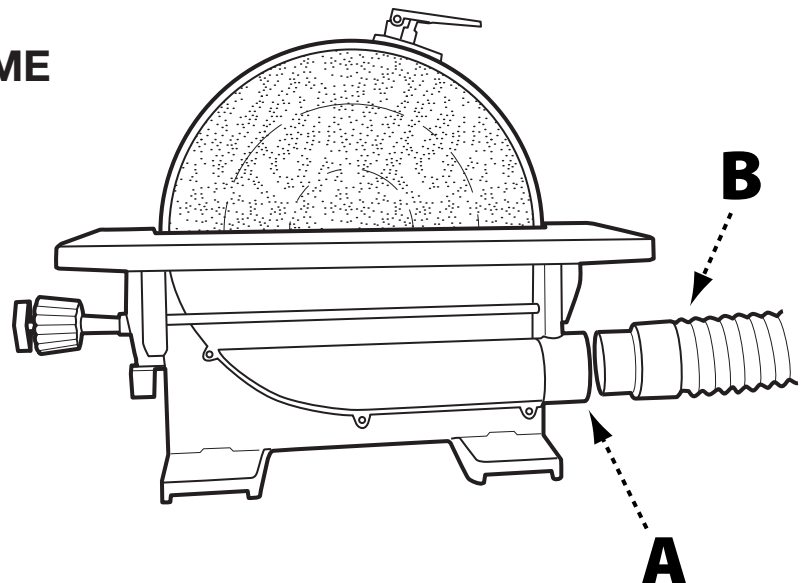


FIGURE 4

# FONCTIONNEMENT

## DÉMARRAGE ET ARRÊT DE LA PONCEUSE

**⚠ ATTENTION :** Le fait de ne pas lire et comprendre les instructions, les avertissements et les consignes de sécurité fournis dans ce manuel peut causer de graves blessures et/ou des dommages à l'appareil ou à la pièce en cours d'usinage.

**⚠ ATTENTION :** Assurez-vous que le disque de ponçage est bien installé sur le support de disque.

**⚠ ATTENTION :** Assurez-vous que les poignées de blocages de l'inclinaison de la table sont bien serrées et que la position de la table est verrouillée selon l'angle ou l'inclinaison désirés.

**⚠ ATTENTION :** Assurez-vous que l'appareil est installé sur une surface plane, robuste et stable capable de supporter le poids de l'appareil et de la pièce à poncer.

**REMARQUE :** La ponceuse à disque DELTA<sup>MD</sup> de 30,5 cm utilise une clé de sécurité (A), comme il est indiqué à la Figure 5. La clé de sécurité doit être enclenchée pour pouvoir utiliser l'appareil. Avant de procéder au démarrage de la ponceuse, vérifiez que la clé de sécurité est installée.

- L'interrupteur ON/OFF (MARCHE/ARRÊT) (B) est situé sur le dessus du moteur. Pour démarrer la ponceuse (« ON »), déplacez l'interrupteur vers l'arrière de la ponceuse.
- Pour arrêter la ponceuse (« OFF »), déplacez l'interrupteur vers l'avant comme indiqué.

**REMARQUE :** Le disque de ponçage de la ponceuse tourne dans le sens inverse des aiguilles d'une montre. Afin d'éviter les blessures et de produire les meilleurs résultats, ne poncer que sur le côté gauche de la table. Ne travaillez jamais du côté droit de la table, là où le disque tourne vers le haut, car il est difficile de contrôler la pièce à travailler.

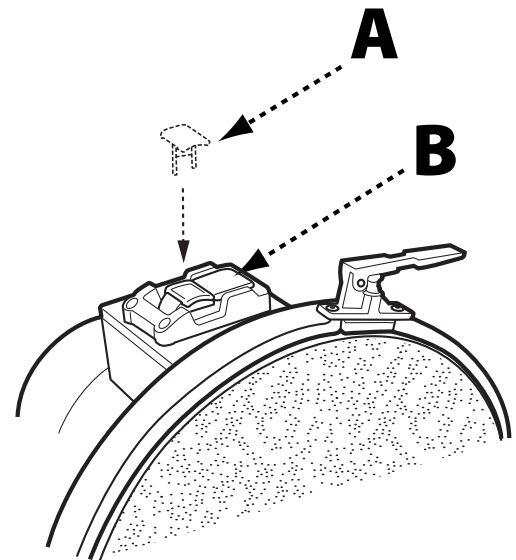


FIGURE 5

## RETRAIT DE LA CLÉ DE SÉCURITÉ POUR VERROUILLER LA PONCEUSE

Lorsque l'appareil n'est pas utilisé, l'interrupteur doit être verrouillé sur la position « OFF » (ARRÊT). Ceci peut être effectué en saisissant la clé de sécurité (A), comme indiqué à la Figure 5, et en la retirant de l'interrupteur. Une fois la clé de sécurité retirée, l'interrupteur ne

fonctionnera plus. Si la clé de sécurité est retirée durant le fonctionnement de l'appareil, l'interrupteur pourra être positionné sur « OFF » (ARRÊT) une seule fois, mais ne pourra être redémarré qu'en insérant la clé de sécurité.

## UTILISATION DU FREIN À DISQUE MANUEL

**⚠ AVERTISSEMENT :** Posez le frein seulement quand l'interrupteur est positionné sur « OFF » (ARRÊT). Poser le frein quand l'interrupteur est positionné sur « ON » (MARCHE) peut endommager l'appareil.

Cette ponceuse à disque de 30,5 cm est équipée d'un frein à disque manuel qui assure un arrêt du disque de ponçage en toute sécurité une fois l'interrupteur positionné sur « OFF » (ARRÊT). Le frein à disque doit être utilisé qu'une fois la ponceuse est éteinte. Pour poser le frein à disque manuel, poussez le levier de frein vers le bas (A) comme indiqué à la Figure 6.

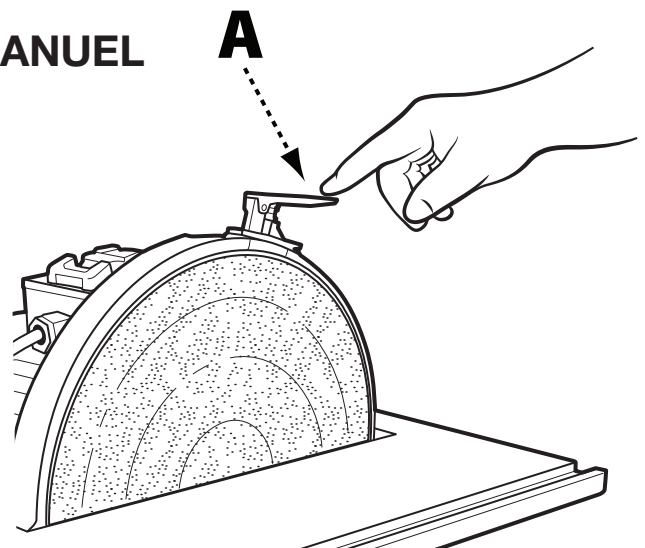


FIGURE 6



# FUNCTIONNEMENT

## UTILISATION DU GUIDE À ONGLETS POUR LE PONÇAGE INCLINÉ ET LE PONÇAGE DE BOIS DE BOUT

La plupart des travaux accomplis avec la ponceuse à disque de 30,5 cm DELTA<sup>MD</sup> sont généralement réalisés en se servant de la table comme support. Pour un ponçage précis de surfaces inclinées ou de bois de bout, comme indiqué à la Figure 7, votre disque de ponçage est accompagné d'un guide à onglets ajustables (A) et d'une rainure en « T » de 0,95 cm par 1,90 cm (B) usinée dans la table. Pour utiliser le guide à onglets fourni pour les surfaces inclinées ou de bois de bout, procédez comme suit :

tournant vers la gauche et ajustez le guide à onglets selon l'angle de ponçage désiré. Resserrez la poignée de réglage de l'onglet.

- Assurez-vous que la pièce est positionnée contre le guide à onglets avant de démarrer l'appareil et de commencer à travailler.

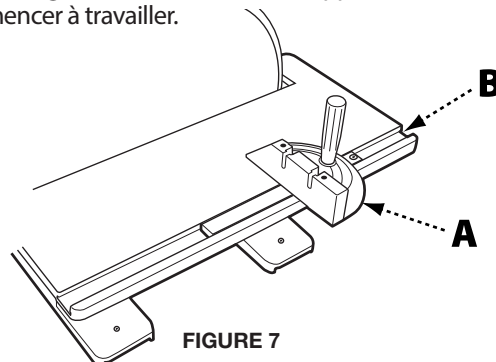


FIGURE 7

**ATTENTION :** Assurez-vous que l'appareil est débranché avant de réaliser les réglages.

- Faites glisser le guide à onglets dans la rainure en « T ».
- Relâchez la poignée de réglage de l'onglet (C) en la

## UTILISATION DE L'INCLINAISON DE LA TABLE POUR UN PONÇAGE EN BISEAU

**ATTENTION :** Assurez-vous que l'appareil est débranché avant de réaliser les réglages.

La table peut s'incliner jusqu'à 45 degrés vers le haut ou vers le bas. Un niveau (A), Figure 8, et une aiguille (B) sont fournis pour indiquer le degré d'inclinaison. Des butées fixes sont localisées sur l'indicateur de réglage de l'inclinaison à 0°, 35° et 45°.

Pour incliner la table vers le haut ou vers le bas, desserrez le papillon de serrage de la table (C) et tournez le bouton (D). Une fois le bouton tourné, la table pivotera vers le haut ou vers le bas. En tournant le bouton dans le sens des aiguilles d'une montre, la table s'inclinera vers le bas. En tournant le bouton dans le sens inverse des aiguilles d'une montre, la table s'inclinera vers le haut. Faites pivoter la table jusqu'à obtenir l'angle désiré. Resserrez ensuite le papillon de serrage de la table.

**AVERTISSEMENT :** Quelle que soit la position dans laquelle la table est inclinée, le bord de la table (E), indiqué à la Figure 10, ne doit pas être à une distance de plus de 15 mm du disque de ponçage pour éviter de coincer la pièce ou de se coincer les doigts entre la table et le disque de ponçage. Pour régler la position de la table par rapport au disque de ponçage, passez à la section

« réglage de l'alignement de la rainure pour guide à onglets » à la page 23.

**AVERTISSEMENT :** Nous conseillons d'effectuer tous les ponçages en biseau en inclinant la table vers le bas comme indiqué à la Figure 9; cependant, si l'inclinaison vers le haut est nécessaire, la pièce à travailler doit être fermement attachée ou fixée à une installation ou un gabarit pour empêcher la pièce d'être arrachée des mains et de se retrouver coincée entre la table et le disque de ponçage. Voir Figure 10.

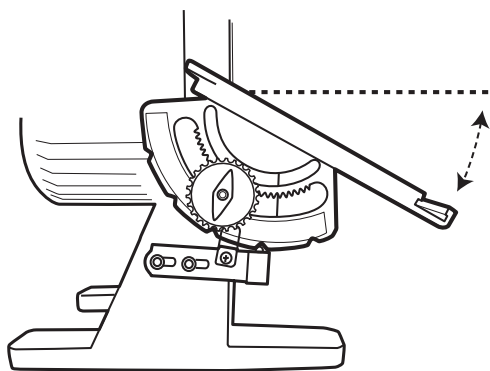


FIGURE 9

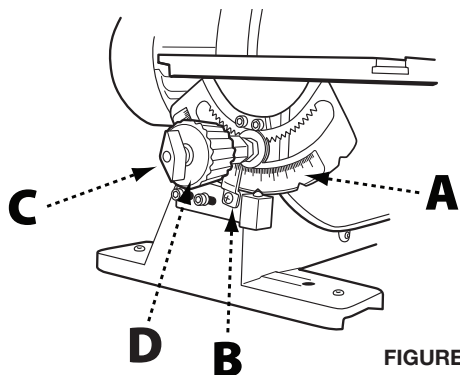


FIGURE 8

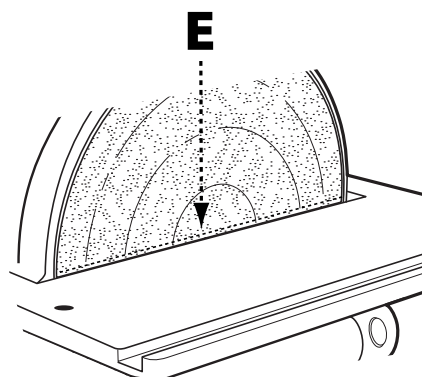


FIGURE 10



# AJUSTEMENTS

## RÉGLAGE DE L'ALIGNEMENT DE LA RAINURE POUR GUIDE À ONGLETS

**⚠ ATTENTION :** Assurez-vous que l'appareil est débranché avant de réaliser les réglages.

- Vérifiez que la rainure du guide à onglets (A), indiquée à la Figure 11, est parallèle au disque en positionnant une équerre combinée dans la rainure pour guide à onglets avec une des extrémités de l'équerre contre le disque comme indiqué.
- Faites un repère au crayon sur le disque de ponçage à l'endroit où l'équerre touche le disque.
- Faites tourner le disque à 180° et vérifiez la distance entre le disque et la rainure du guide à onglets à l'extrémité opposée de la table. Si un réglage est nécessaire, procédez comme suit :

**REMARQUE :** En réalisant les réglages ci-dessous, assurez-vous que le papillon de serrage de la table est bien serré.

- En utilisant la clé à 6 pans fournie, desserrez les quatre vis (B) qui fixent la table aux tourillons, comme indiqué à la Figure 12.
- Ajustez la table en l'entrant ou en la sortant jusqu'à ce que le guide à onglets soit équidistant du disque à chaque extrémité de la table.
- Resserrez les quatre vis reliant la table aux tourillons.

**⚠ AVERTISSEMENT :** Pour éviter de coincer la pièce à travailler ou de se coincer les doigts entre la table et le disque de ponçage, le bord de la table doit être séparé de 15 mm maximum du disque de ponçage.

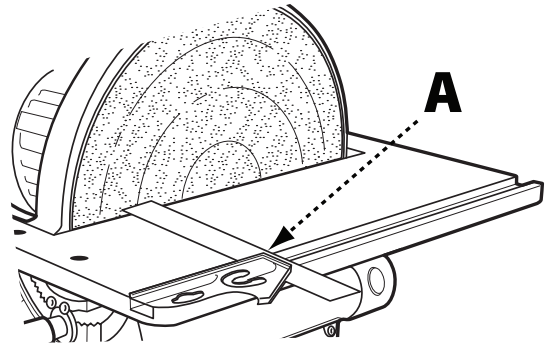


FIGURE 11

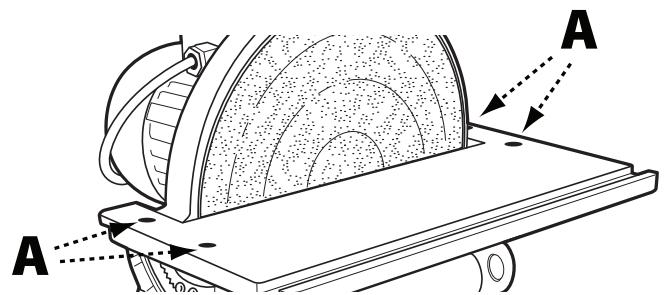


FIGURE 12

## AJUSTER LA TABLE PERPENDICULAIREMENT AU DISQUE DE PONÇAGE

**⚠ ATTENTION :** Assurez-vous que l'appareil est débranché avant de réaliser les réglages.

- En vous aidant de la Figure 13, assurez-vous que l'indicateur d'inclinaison de la table (A) est positionné sur 0°.
- Placez une équerre précise sur la table en positionnant un des côtés de l'équerre contre le disque. Si la table n'est pas perpendiculaire au disque, procédez comme suit :
- Relâchez le papillon de serrage de la table (B).
- Localisez la vis de fixation de 0° située sous la table et desserrez l'écrou de la vis de fixation.
- Tournez la vis de fixation de 0° et prenez à nouveau les mesures en utilisant l'équerre, en répétant l'opération jusqu'à ce que la table soit perpendiculaire au disque de ponçage.
- Une fois que la table est perpendiculaire, resserrez l'écrou de serrage de la vis de fixation de 0°.
- Resserrez le papillon de serrage de la table.
- Calibrez de nouveau l'indicateur d'inclinaison de la table en desserrant la vis de fixation de l'indicateur et en positionnant l'indicateur d'inclinaison sur le repère 0° de la règle graduée.
- Resserrez la vis de fixation de l'indicateur.

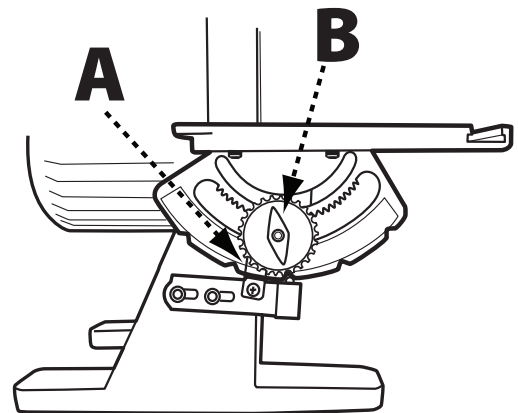


FIGURE 13

# RECOMMANDATIONS D'ENTRETIEN

**REMARQUE :** Débranchez l'appareil de la source d'alimentation avant d'effectuer toute opération d'entretien.

## GRAISSAGE

Tous les roulements sont étanches et sont graissés de façon permanente. Aucun autre graissage n'est nécessaire.

## INSPECTION DE ROUTINE

Il est recommandé de vérifier périodiquement votre ponceuse à broche à titre préventif. Ce faisant, vérifiez les points suivants :

- Inspectez tous les matériels, raccords et attaches susceptibles de se relâcher en raison des vibrations et resserrez-les si nécessaire.
- Vérifiez si de la poussière et/ou des particules de bois se sont accumulées sur ou dans l'appareil. Vérifiez tous les raccords de dépoussiérage, et resserrez-les au besoin.
- Avant chaque utilisation, inspectez l'interrupteur ON/OFF (MARCHE/ARRÊT) pour vérifier qu'il n'est pas endommagé. Inspectez périodiquement le cordon d'alimentation et la fiche pour vérifier qu'ils ne sont pas endommagés. Si nécessaire, remplacez le cordon d'alimentation et la fiche aux premiers signes visibles de dommages.

## REPLACEMENT DU DISQUE DE PONÇAGE

**⚠ ATTENTION :** Assurez-vous que l'appareil est débranché de la source d'alimentation.

- Pour retirer le disque de ponçage (A), tirez simplement sur l'ancien disque de ponçage de l'appareil comme indiqué.
- Pour mettre en place un nouveau disque de ponçage, assurez-vous que le support de disque (B) est propre, sec, et dépourvu d'huile, de graisse ou de traces adhésives.
- Retirez la moitié du papier de protection du nouveau disque et glissez-le entre la table et le support de disque afin que la moitié non recouverte soit alignée avec la moitié supérieure du support de disque.
- Pressez la moitié supérieure du disque de ponçage contre la moitié supérieure du support de disque.
- Faites faire un demi-tour, manuellement, au support de disque, retirez les traces d'adhésif restantes et pressez fermement le disque de ponçage contre le support de disque.

**⚠ AVERTISSEMENT :** Avant de brancher l'appareil à la source d'alimentation, assurez-vous que le disque de ponçage est bien positionné.

## ACCESSOIRES

Une gamme complète d'accessoires peut être obtenue auprès de votre fournisseur DELTA<sup>MD</sup>, des centres de service du fabricant DELTA<sup>MD</sup>, des centres de service du fabricant DELTA<sup>MD</sup>, et des centres de services agréés DELTA<sup>MD</sup>. Rendez-vous sur notre site Web [www.DeltaMachinery.com](http://www.DeltaMachinery.com) pour obtenir un catalogue en ligne ou pour connaître le nom du fournisseur le plus près de chez vous.

**⚠ AVERTISSEMENT :** Étant donné que les accessoires autres que ceux offerts par DELTA<sup>MD</sup> n'ont pas été testés avec ce produit, leur utilisation pourrait s'avérer dangereuse. Pour assurer une utilisation plus sécuritaire, seuls les accessoires recommandés par DELTA<sup>MD</sup> devraient être utilisés avec ce produit.

## GARANTIE

Pour l'enregistrement de votre outil auprès du service de la garantie, rendez-vous sur notre site à l'adresse [www.DeltaMachinery.com](http://www.DeltaMachinery.com).

### Garantie limitée de cinq ans pour les produits neufs

DELTA<sup>MD</sup> réparera ou remplacera, à ses frais et à sa discrétion, tout nouvel appareil, pièce ou accessoire de l'appareil de DELTA<sup>MD</sup> qui, pour une usure normale, est jugé défectueux en raison d'un défaut de fabrication ou de matériau, à condition que le client retourne le produit prépayé à un centre de service du fabricant ou à un centre de service autorisé DELTA<sup>MD</sup> avec une preuve d'achat du produit dans les cinq ans après l'achat et offre à DELTA<sup>MD</sup> une occasion raisonnable de vérifier le défaut allégué au moyen d'une inspection. Pour tous les produits DELTA<sup>MD</sup> reconditionnés, la durée de garantie est de 180 jours. DELTA<sup>MD</sup> ne peut être tenu responsable de tout défaut confirmé issu de l'usure normale, d'une mauvaise utilisation, d'abus ou de réparations ou d'altérations faites ou expressément autorisées par quiconque autre qu'un centre de service ou un représentant de DELTA<sup>MD</sup> autorisé. En aucun cas, DELTA<sup>MD</sup> ne pourra être tenu pour responsable des dommages directs ou indirects résultant de produits défectueux. Certains États ne permettant pas l'exclusion ou la limitation des dommages directs ou indirects, la limitation ou exclusion peut ne pas s'appliquer à votre cas. Cette garantie est la seule garantie de DELTA<sup>MD</sup>, et elle devient le recours exclusif du client en ce qui concerne les produits défectueux; toute autre garantie, expresse ou implicite, que ce soit de la valeur marchande, de la capacité de remplir une fonction ou autre, est expressément exclue par DELTA<sup>MD</sup>. Pour plus de renseignements sur la couverture de la garantie et des informations sur les réparations sous garantie, rendez-vous sur notre site à l'adresse [www.DeltaMachinery.com](http://www.DeltaMachinery.com) ou appelez le 1 800 223-7278. Cette garantie vous donne des droits légaux spécifiques et vous pouvez avoir d'autres droits qui sont différents selon les États ou provinces.

**AMÉRIQUE LATINE :** La présente garantie ne s'applique pas aux produits vendus en Amérique latine. Pour les produits vendus en Amérique latine, veuillez consulter les renseignements au sujet de la garantie pour un pays particulier figurant sur l'emballage, appeler la compagnie locale ou consulter notre site Web pour plus de renseignements au sujet de la garantie.

## AIDE POUR LES PIÈCES, LE SERVICE OU LA GARANTIE

Tous les appareils et accessoires DELTA<sup>MD</sup> sont fabriqués selon des normes de qualité élevées et sont soutenus par un réseau de centres de service du fabricant DELTA<sup>MD</sup> et des centres de services DELTA<sup>MD</sup> autorisés. Pour en savoir davantage sur votre produit de qualité DELTA<sup>MD</sup> ou pour obtenir des pièces, du service, de l'aide concernant la garantie ou l'emplacement du centre de service le plus près de chez vous, veuillez composer le 1 800 223-7278.

### PIÈCES DE RECHANGE

Utilisez uniquement des pièces de rechange identiques. Pour obtenir une liste de pièces ou commander des pièces, rendez-vous sur notre site à l'adresse [www.DeltaMachinery.com](http://www.DeltaMachinery.com). Vous pouvez aussi commander des pièces auprès de votre représentant local, du centre de service de garantie autorisé ou en appelant le responsable du service technique au 1 800 223-7278 pour recevoir une assistance personnalisée de la part d'un de nos représentants hautement qualifié.

### REMPACEMENT GRATUIT DES ÉTIQUETTES DE MISE EN GARDE

Si vos étiquettes de mise en garde sont devenues illisibles ou si vous les avez perdues, composez le 1 800 223-7278 pour un remplacement gratuit.



### SERVICE ET RÉPARATIONS

Tous les outils de qualité auront besoin de service et/ou d'un remplacement de pièces à un moment donné. Pour des renseignements au sujet de DELTA<sup>MD</sup> Power Equipment Corporation, ses filiales en usine ou pour trouver un centre de service de garantie autorisé, rendez-vous sur notre site à l'adresse [www.DeltaMachinery.com](http://www.DeltaMachinery.com) ou appelez notre service à la clientèle au 1 800 223-7278. Toutes les réparations réalisées par nos centres de service sont entièrement garanties contre les défauts de matériau et de fabrication. Nous ne pouvons garantir les réparations réalisées ou tentées par d'autres. En appelant ce numéro, vous pouvez également obtenir des réponses aux questions les plus fréquemment posées.

Pour obtenir plus de renseignements, vous pouvez aussi nous écrire à l'adresse DELTA<sup>MD</sup> Power Equipment Corporation, 99 Roush Street, Anderson, SC 29625 - Attention : Responsable du service technique. Assurez-vous de fournir tous les renseignements présents sur la plaque de votre outil (numéro de modèle, type, numéro de série, code de date, etc.)

# INSTRUCCIONES IMPORTANTES DE SEGURIDAD

**⚠ ADVERTENCIA:** **LEA Y COMPRENDA TODAS LAS ADVERTENCIAS E INSTRUCCIONES DE OPERACIÓN ANTES DE USAR ESTE EQUIPO.** No cumplir con todas las

instrucciones enumeradas a continuación puede causar una descarga eléctrica, incendios y/o lesiones personales graves o daños a la propiedad.



Trabajar con madera puede ser peligroso si no se observan procedimientos de operación seguros y adecuados. Tal como sucede con toda maquinaria, existen determinados peligros asociados con la operación del producto. Utilizar esta máquina con respeto y cautela disminuirá considerablemente la posibilidad de lesiones personales. Sin embargo, no observar o ignorar las precauciones normales de seguridad podría causarle lesiones personales al operador. El equipo de seguridad, como los protectores, las varillas para empujar, los sujetadores, las tablas con canto biselado, las gafas protectoras, las máscaras para polvo y la protección auditiva pueden evitar el riesgo de lesionarse. Sin embargo, incluso el mejor protector no compensará la falta de sentido común, el descuido ni la distracción. **Siempre aplique el sentido común** y actúe con cautela en el taller. Si un procedimiento parece peligroso, no lo intente. Busque un procedimiento alternativo que parezca más seguro. **RECUERDE:** Su seguridad personal es su responsabilidad. Para obtener información adicional, visite nuestro sitio web en [www.DeltaMachinery.com](http://www.DeltaMachinery.com).

Esta máquina fue diseñada para determinadas aplicaciones únicamente. DELTA® Power Equipment Corporation **⚠ ADVERTENCIA:** recomienda encarecidamente que esta máquina no sea modificada ni utilizada para un uso que no sea para el cual fue diseñada. Si tiene alguna pregunta relacionada con un uso en particular, NO utilice la máquina antes de haber contactado a DELTA® para determinar si puede o debe ser usada en el producto.

Si tiene alguna pregunta relacionada con su uso, NO utilice el producto hasta que haya escrito a DELTA® Power Equipment Corporation y que le hayamos dado el asesoramiento adecuado. Comuníquese con nosotros por Internet en [www.DeltaMachinery.com](http://www.DeltaMachinery.com) o por correo postal a Technical Service Manager, DELTA® Power Equipment Corporation, 99 Roush Street, Anderson, South Carolina 29625.

- La información relacionada con la operación segura y adecuada de esta herramienta está disponible en las siguientes fuentes:
- Power Tool Institute, 1300 Sumner Avenue, Cleveland, OH 44115-2851 o en Internet en [www.powertoolinstitute.com](http://www.powertoolinstitute.com)
- National Safety Council, 1121 Spring Lake Drive, Itasca, IL 60143-3201
- American National Standards Institute, 25 West 43rd Street, 4 floor, New York, NY 10036 [www.ansi.org](http://www.ansi.org) - ANSI 01.1  
Requisitos de seguridad para máquinas que trabajan con madera
- Reglamentaciones del Departamento del Trabajo de EE. UU.: [www.osha.gov](http://www.osha.gov)

## NORMAS DE SEGURIDAD: DEFINICIONES

Este manual contiene información que es importante que usted conozca y comprenda. Esta información está relacionada con la protección de SU SEGURIDAD y la PREVENCIÓN DE PROBLEMAS CON EL EQUIPO. Para ayudarle a reconocer esta información, utilizamos los símbolos que figuran a continuación. Lea este manual y preste atención a estas secciones.

**⚠ PELIGRO:** Indica una situación peligrosa inminente que, de no evitarse, causará la muerte o lesiones graves.

**⚠ ADVERTENCIA:** Indica una situación potencialmente peligrosa que, de no evitarse, podría causar la muerte o lesiones graves.

**⚠ PRECAUCIÓN:** Indica una situación potencialmente peligrosa que, de no evitarse, puede causar lesiones menores o moderadas.

**⚠ PRECAUCIÓN:** Usado sin el símbolo de alerta de seguridad indica una situación potencialmente peligrosa que, de no evitarse, puede causar daños a la propiedad.

# REGLAS GENERALES DE SEGURIDAD

**⚠ ADVERTENCIA:** OBSERVAR ESTAS REGLAS DE SEGURIDAD PUEDE OCASIONAR LESIONES PERSONALES GRAVES.

- **POR SU PROPIA SEGURIDAD, LEA Y COMPRENDA EL MANUAL DE INSTRUCCIONES ANTES DE OPERAR LA UNIDAD.** Conozca los usos y las limitaciones de la unidad, así como los peligros específicos propios de la misma.
- **MANTENGA LIMPIA EL ÁREA DE TRABAJO.** Las áreas y los bancos desordenados pueden provocar accidentes.
- **NO USE EN ENTORNOS PELIGROSOS.** No use esta unidad en lugares húmedos o mojados, ni la esponja a la lluvia. Mantenga el área de trabajo bien iluminada.
- **MANTENGA ALEJADOS A LOS NIÑOS Y VISITANTES.** Todos los niños y visitantes deben mantenerse a una distancia prudente del área de trabajo.
- **DESCONECTE LA UNIDAD** antes de efectuarle tareas de mantenimiento.
- **CONTROLE LAS PIEZAS DAÑADAS.** Antes de seguir usando la unidad, repare o reemplace de forma adecuada cualquier pieza que esté dañada.

**⚠ ADVERTENCIA:** NO OBSERVAR ESTAS REGLAS DE SEGURIDAD PUEDE OCASIONAR LESIONES GRAVES.

1. Lea y comprenda los carteles de advertencia de la máquina y de este manual. No cumplir con todas estas advertencias puede causar lesiones graves.
  2. Reemplace las etiquetas de advertencia si se tornan borrosas o se desprenden.
  3. Esta lijadora de disco ha sido diseñada para su uso por parte de personal debidamente entrenado y con la experiencia requerida únicamente. Si no está familiarizado con el funcionamiento seguro y adecuado de una lijadora de bordes, no la utilice hasta haber recibido la capacitación adecuada y el conocimiento correspondiente.
  4. No utilice esta máquina para otra cosa que no sea su uso previsto. Si se utiliza para otros propósitos, DELTA® Power Equipment Company, Inc. se exime de cualquier garantía real o implícita y se mantiene indemne ante cualquier lesión que pueda derivarse de dicho uso.
  5. Siempre use lentes de seguridad/protectores de rostro aprobados mientras utiliza esta lijadora de disco.
  6. Antes de operar esta lijadora, sáquese corbatas, anillos, relojes y cualquier otra alhaja, y arremánguese más arriba del codo. Quítese toda la ropa suelta y sujétese el cabello largo. Se recomienda el uso de calzado y franjas de piso antideslizantes. No use guantes.
  7. Use protectores auditivos (tapones u orejeras) durante períodos de operación extensos.
  8. Parte del polvo creado por el lijado, el aserrado, el amolado, el barrenado y otras actividades de construcción contiene productos químicos que se sabe que causan cáncer, defectos congénitos y otros daños reproductivos. Algunos ejemplos de estos productos químicos son
    - plomo de pinturas a base de plomo;
    - sílice cristalina de ladrillos, cemento y otros productos de albañilería;
    - arsénico y cromo de madera tratada químicamente.
- Su riesgo de exposición varía dependiendo de la frecuencia con la que realice este tipo de trabajo.** Para reducir su exposición a estos productos químicos, trabaje en un área bien ventilada y trabaje con equipos de seguridad aprobados, como máscaras faciales y para polvo que estén específicamente diseñadas para no dejar pasar las partículas microscópicas.
9. No opere esta máquina cuando esté cansado o bajo los efectos de drogas, alcohol o cualquier medicamento.
  10. Asegúrese de que el interruptor esté en la posición OFF (APAGADO) antes de conectar la máquina a una fuente de alimentación.
  11. Asegúrese de que la máquina esté conectada a tierra de forma adecuada.
  12. Desenchufe la máquina de la fuente de alimentación para realizar todos los ajustes y el mantenimiento de la misma.
  13. Cree el hábito de verificar que todos los equipos adicionales, como llaves de ajuste, llaves, descartes, material y paños de limpieza, se alejen de la máquina antes de encenderla.
  14. Mantenga los protectores de seguridad en su lugar en todo momento cuando la máquina esté en uso. Si se quitan por razones de mantenimiento, aplique extrema precaución y vuelva a colocar los protectores inmediatamente cuando se complete el mantenimiento.
  15. Asegúrese de que la lijadora esté firmemente sujeta antes de proceder a su uso.
  16. Examine las piezas dañadas. Antes de seguir utilizando la máquina, debe examinarse cuidadosamente si el protector u otra pieza están dañados, para determinar que funcionarán adecuadamente y desempeñarán su función prevista. Examine la alineación de las piezas móviles, la unión de las piezas móviles, si hay piezas rotas, el montaje y cualquier otra condición que pueda afectar su funcionamiento. Los protectores o las otras piezas

- que estén dañados deben repararse o reemplazarse adecuadamente.
17. Provea un espacio adecuado alrededor del área de trabajo e iluminación superior antirreflejo.
  18. Mantenga el piso alrededor de la máquina limpio y libre de descartes de material, aceite y grasa.
  19. Mantenga a los visitantes a una distancia prudente del área de trabajo. Mantenga alejados a los niños.
  20. Haga su taller a prueba de niños, mediante candados, interruptores generales o sacando las llaves de encendido.
  21. Preste absoluta atención a su trabajo. Mirar alrededor, mantener una conversación y hacer "payasadas" son acciones negligentes que pueden ocasionar lesiones graves.
  22. Mantenga una postura equilibrada en todo momento para evitar caerse o recostarse contra el disco abrasivo u otras partes en movimiento. No se extralimite o use fuerza en exceso para realizar cualquier operación con la máquina.
  23. Utilice la herramienta correcta, a la velocidad y tasa de alimentación adecuadas. No fuerce una herramienta o acoplamiento para que realicen un trabajo para el cual no fueron diseñados. La herramienta adecuada realizará mejor el trabajo y de manera más segura.
  24. Utilice los accesorios recomendados; los accesorios incorrectos podrían ser peligrosos.
  25. Realice el mantenimiento de la maquinaria con cuidado. Siga las instrucciones para lubricar y cambiar los accesorios.

26. Apague la máquina antes de limpiarla. Utilice un cepillo o aire comprimido para quitar el polvo o la suciedad; no utilice las manos.
27. No se pare sobre la máquina. Si la máquina se vuelca, podrían ocurrir lesiones graves.
28. Nunca deje la máquina funcionando sin supervisión. Apáguela y no deje la máquina hasta que se haya detenido completamente.
29. Sujete el material con firmeza en todo momento.
30. No utilice esta lijadora para otra cosa que no sea su uso previsto. Si se utiliza para otros propósitos, DELTA® Power Equipment Company, Inc. se exime de cualquier garantía real o implícita y se mantiene indemne ante cualquier lesión o daño que pueda derivarse de dicho uso.

Familiarícese con las siguientes advertencias de seguridad que se usan en este manual:

#### **⚠ PRECAUCIÓN:**

Significa que si no se le presta atención a las precauciones, existe el riesgo de lesiones menores y/o daño posible a la máquina.

#### **⚠ ADVERTENCIA:**

Significa que si no se le presta atención a las precauciones, existe el riesgo de lesiones graves, incluso de muerte.

**GUARDE ESTAS INSTRUCCIONES.**  
Consúltelas con frecuencia y utilícelas para instruir a otros.



## CONEXIONES DE ALIMENTACIÓN

Se debe utilizar un circuito eléctrico por separado para sus máquinas. Este circuito no debe ser inferior a un cable calibre 12 y debe estar protegido con un fusible con retardo de tiempo de 20 amperes. Si se utiliza un alargador eléctrico, use únicamente alargadores eléctricos trifilares con enchufes del tipo que tienen 3 clavijas con conexión a tierra y un tomacorriente equivalente que acepte el enchufe de la máquina. Antes de conectar la máquina a la línea de alimentación, cerciórese de que el interruptor esté en la posición "OFF" (APAGADO) y verifique que la corriente eléctrica sea de las mismas características que se indican en la máquina. Todas las conexiones a la línea deben hacer buen contacto. Hacerla funcionar en baja tensión dañará la máquina..

**⚠ PELIGRO:** NO EXPONGA LA MÁQUINA A LA LLUVIA NI LA OPERE EN LUGARES HÚMEDOS

## ESPECIFICACIONES DEL MOTOR

El sistema de cables de su máquina ha sido configurado para 115 voltios, 60 HZ CA. Antes de conectar la máquina a la fuente de suministro de energía, asegúrese de que el interruptor esté en la posición apagada ["OFF"].

## INSTRUCCIONES DE CONEXIÓN A TIERRA

**⚠ PELIGRO:** ESTA MÁQUINA DEBE ESTAR CONECTADA A TIERRA MIENTRAS ESTÉ EN USO PARA PROTEGER AL OPERADOR DE UNA DESCARGA ELÉCTRICA..

### 1. Todas las máquinas conectadas con cables y con conexión a tierra:

En caso de mal funcionamiento o avería, la conexión a tierra proporciona un pasaje de menor resistencia para la corriente eléctrica para reducir el riesgo de descarga eléctrica. Esta máquina está equipada con un cable eléctrico, que tiene un conductor que conecta el equipo a tierra y un enchufe de conexión a tierra. El enchufe debe estar enchufado en un tomacorriente equivalente, que esté instalado y conectado a tierra correctamente, según todos los códigos y ordenanzas locales.

No modifique el enchufe suministrado; si no calza en el tomacorriente, haga instalar el tomacorriente adecuado por un electricista certificado.

Conectar incorrectamente el conductor que conecta el equipo a tierra puede provocar riesgo de descarga eléctrica. El conductor con aislamiento que tiene una superficie exterior verde con o sin rayas amarillas es el conductor que conecta el equipo a tierra. Si es necesario reparar o reemplazar el cable eléctrico o el enchufe, no conecte el conductor que conecta el equipo a tierra a una terminal activa.

Consulte con un electricista certificado o con el personal de servicio de mantenimiento si no comprende completamente las instrucciones de conexión a tierra o si tiene dudas sobre si la máquina está conectada a tierra adecuadamente.

Utilice únicamente alargadores eléctricos trifilares con enchufes del tipo que tienen tres clavijas y un tomacorriente equivalente de 3 conductores que acepten el enchufe de la máquina, como se muestra en la figura A.

Repáre o reemplace inmediatamente el cable que esté dañado o deteriorado.

**EN TODOS LOS CASOS, ASEGÚRESE DE QUE EL TOMACORRIENTE EN CUESTIÓN ESTÉ CONECTADO A TIERRA CORRECTAMENTE. SI NO ESTÁ SEGURO, HAGA QUE UN ELECTRICISTA certificado VERIFIQUE EL TOMACORRIENTE.**

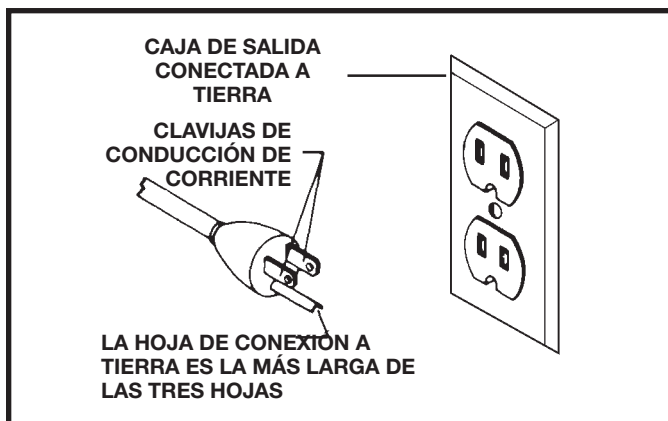


FIG. A

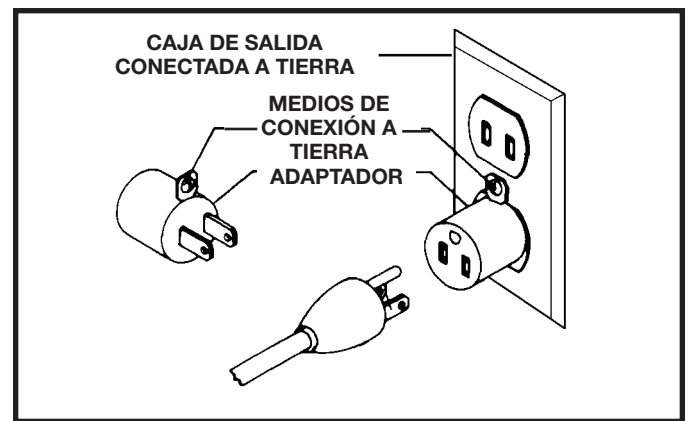


FIG. B



## ALARGADORES ELÉCTRICOS

**⚠ PRECAUCIÓN:** Utilice los alargadores eléctricos adecuados. Cerciérese de que los alargadores eléctricos estén en buenas condiciones y de que sean del tipo de alargadores eléctricos con 3 cables que tienen un enchufe con conexión a tierra con 3 clavijas y un tomacorriente equivalente que acepte el enchufe de la máquina. Cuando utilice un alargador eléctrico, asegúrese de que sea lo suficientemente resistente para soportar la corriente de la máquina. Un cable inferior causará una disminución en el voltaje de la línea, lo cual genera pérdida de potencia y recalentamiento. La tabla muestra el calibre correcto que se debe usar dependiendo del largo del cable. Si tiene dudas, utilice el siguiente calibre más resistente. Cuanto menor es el número del calibre, más resistente es el cable.

ALARGADOR ELÉCTRICO DE CALIBRE MÍNIMO			
TAMAÑOS RECOMENDADOS PARA UTILIZAR CON MÁQUINAS ELÉCTRICAS FIJAS			
Amperaje	Voltios	Largo total del cable en metros	Calibre del alargador eléctrico
0-6	120	hasta 7.6	18 AWG
0-6	120	25-50	16 AWG
0-6	120	50-100	16 AWG
0-6	120	100-150	14 AWG
6-10	120	hasta 7.6	18 AWG
6-10	120	25-50	16 AWG
6-10	120	50-100	14 AWG
6-10	120	100-150	12 AWG
10-12	120	hasta 7.6	16 AWG
10-12	120	25-50	16 AWG
10-12	120	50-100	14 AWG
10-12	120	100-150	12 AWG
12-16	120	hasta 7.6	14 AWG
12-16	120	25-50	12 AWG
12-16	120	NO SE RECOMIENDA UNA LONGITUD MAYOR A 15.2 METROS	

FIG. D

## CARACTERÍSTICAS Y COMPONENTES CLAVE

- A. Mesa inclinable de hierro forjado
- B. Placa para el disco
- C. Disco abrasivo
- D. Abertura de salida de polvo de 5,70 cm
- E. Interruptor
- F. Tuerca mariposa de bloqueo de mesa
- G. Ranura de guía de inglete
- H. Freno del disco
- I. Motor de ½ HP, 120V
- J. Llave de seguridad
- K. Perilla de ajuste de inclinación de mesa

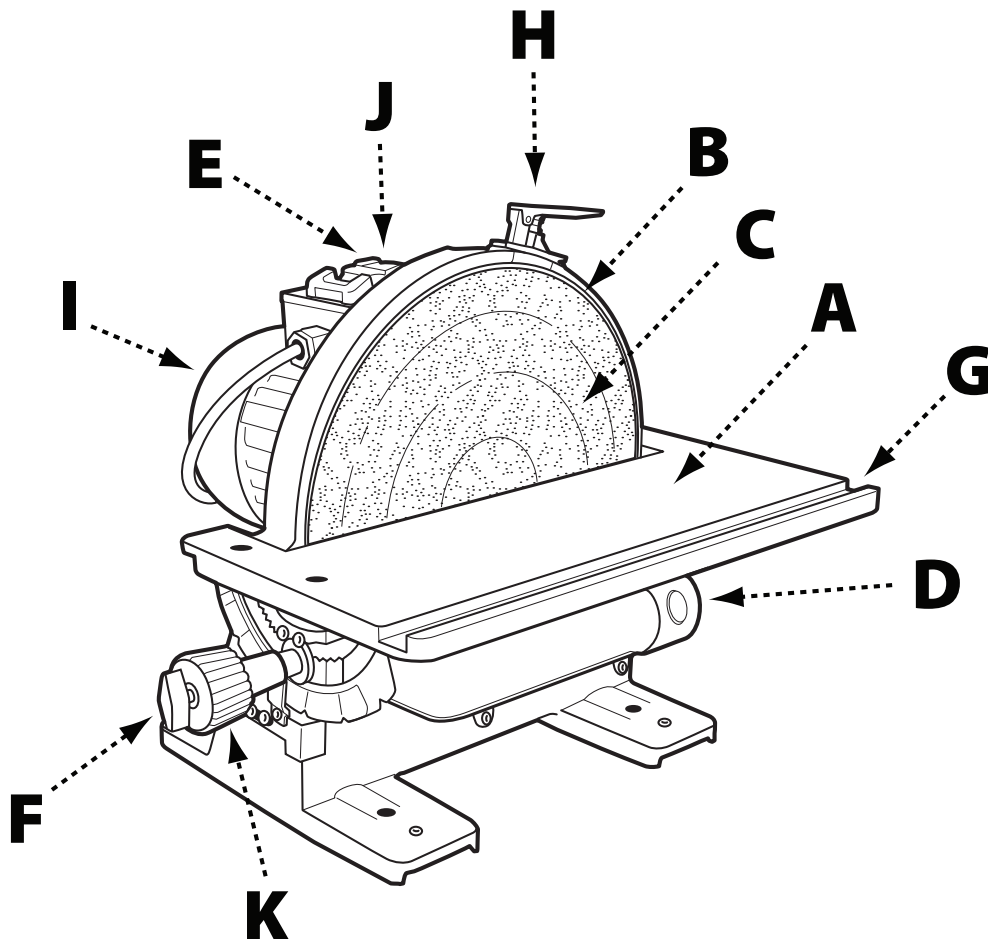


FIG. 1

# DESCRIPCIÓN FUNCIONAL

La lijadora de disco de 30,50 centímetros DELTA® está diseñada para lijar y lustrar superficies planas o biseladas sobre materiales plásticos o de madera.

## ESPECIFICACIONES DEL PRODUCTO

Velocidad:	1725 RPM
Diámetro del disco:	30,50 cm
Inclinación de la mesa:	+45° a -45°
Altura:	38 cm
Ancho:	43,80 cm
Peso de envío:	36,74 Kg.
Motor:	½ HP, 120 V, Monofásico, 60 HZ
Tamaño de la mesa:	43,80 cm x 15,8 cm
Salida de recolección de polvo:	5,70 cm
Ranura de guía de inglete:	0,95 cm x 1,90 cm
Largo:	45 cm
Peso:	32,50 Kg.

## DESEMBALAJE

**⚠ ADVERTENCIA:** La máquina es pesada, ¡tenga cuidado cuando la extraiga del contenedor de envío! ¡No realizar esto podría causar lesiones graves y/o daño a la lijadora y/o propiedad!

Su lijadora de disco de 30,50 cm DELTA® viene embalada en un contenedor único. Utilice una correa de seguridad para evitar que la máquina se de vuelta cuando la levante. Compruebe la caja de envío y la máquina en búsqueda de daños antes de proceder a su desembalaje.

Abra el contenedor de envío. Retire cuidadosamente los materiales de embalaje, las piezas y la máquina de la caja de envío. Siempre compruebe y retire los materiales de protección para el envío alrededor de motores y piezas móviles. Despliegue todas las piezas sobre una superficie de trabajo limpia y compruebe que estén todas las piezas y en buenas condiciones:

### DESCRIPCIÓN (CANTIDAD)

- Lijadora de disco de 30,50 cm (1)
- Manguera recolectora de polvo con abertura de salida de 5,70 cm adaptador (1)
- Conjunto de palanca de freno (1)
- Guía de inglete
- Llave Allen de 2,5 mm (1)
- Llave Allen de 4,0 mm (1)

Compare los artículos con los que aparecen en las figuras del inventario. Verifique que todas las piezas estén presentes antes de deshacerse de la caja de envío. Informe acerca de cualquier pieza extraviada o dañada a su agente o distribuidor. Antes del montaje de la herramienta y su uso, lea meticulosamente este manual para familiarizarse con el montaje, mantenimiento adecuado y los procedimientos de seguridad.

Retire cualquier material de protección y los recubrimientos de todas las piezas y de la lijadora de disco. Se podrá retirar el recubrimiento de protección rociando WD-40 sobre el mismo, y limpiándolo con un paño suave. Esto podría precisar que se repita en varias ocasiones antes de que todo el recubrimiento protector sea removido por completo

**⚠ ADVERTENCIA:** Si falta una pieza, no enchufe el cable de alimentación ni encienda ("ON") la máquina. Se deberá únicamente encender la máquina ("ON") después de que todas las piezas hayan sido obtenidas e instaladas de modo correcto.

# ASSEMBLAGE

## INSTALACIÓN DEL CONJUNTO DE PALANCA DE FRENO

- Consulte la Figura 2 y retire los 2 tornillos hexagonales (A) del compartimiento del disco utilizando la llave Allen de 2,5 mm provista.
- Alinee los orificios del tornillo en el conjunto de la palanca de freno (B) con los orificios en el compartimiento del disco y asegúrelos usando los tornillos hexagonales que retiró en el Paso 1.

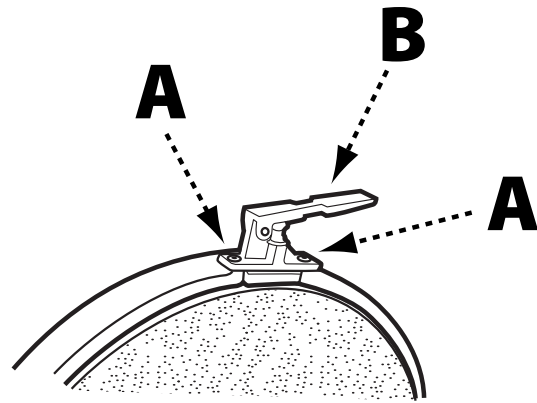


FIGURE 2

## CÓMO ASEGURAR LA HERRAMIENTA A LA SUPERFICIE DE SOPORTE

**Importante:** Si durante la operación la lijadora tiende a voltearse, deslizarse o moverse sobre la superficie de soporte, la lijadora deberá ser asegurada a dicha superficie.

Para asegurar la lijadora a la superficie de soporte, use tornillos o pernos y tuercas en los cuatro orificios (A) como se muestra en la Figura 3

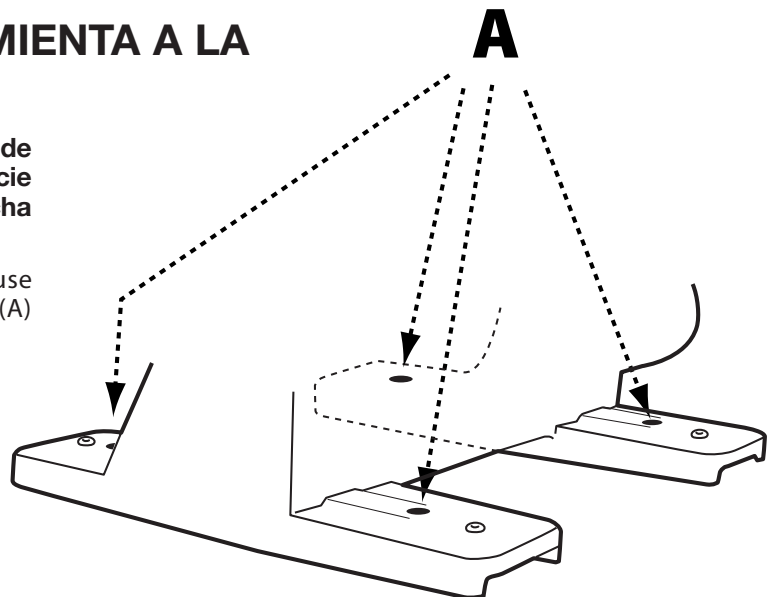


FIGURE 3

## CONECTE LA MANGUERA PARA POLVO AL SISTEMA RECOLECTOR DE POLVO

La lijadora de disco de 30,50 cm tiene un ventilador integrado eficiente que provee una recolección de polvo excelente. Se recomienda que la máquina sea conectada a un recolector de polvo utilizando una abertura de salida de polvo de 5,70 cm (A) que se muestra en la Figura 4.

Si no hay un recolector de polvo disponible, inserte un extremo de la manguera para polvo suministrada (B) dentro de la abertura de salida de polvo y coloque el otro extremo de la manguera para polvo dentro de un cubo para basura u otro recipiente.

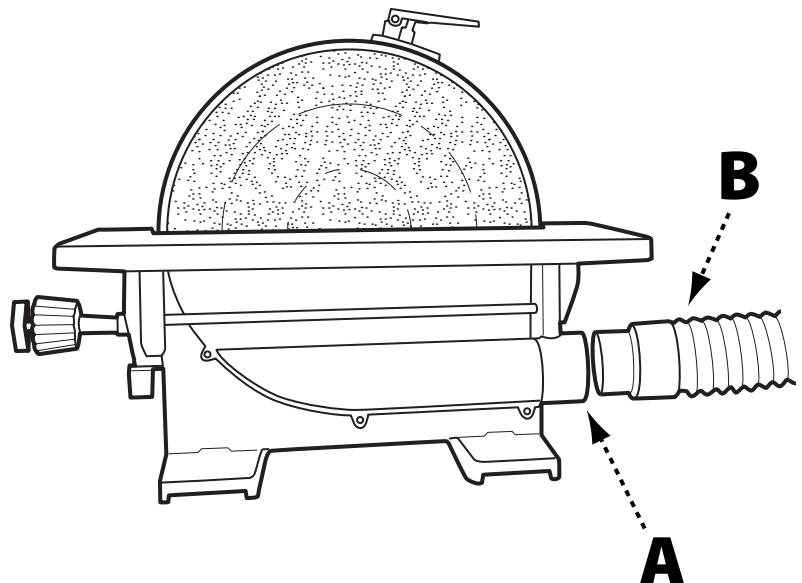


FIGURE 4

# OPERACIÓN

## INICIO Y DETENCIÓN DE LA LIJADORA

**⚠ PRECAUCIÓN:** No leer ni comprender las instrucciones, advertencias y directrices de seguridad provistas en este manual puede llevar a lesiones graves y/o daño a la máquina o el trabajo.

**⚠ PRECAUCIÓN:** Asegúrese de que el disco abrasivo esté correctamente instalado sobre la placa para el disco.

**⚠ PRECAUCIÓN:** Asegúrese de que las palancas de bloqueo de inclinación de la mesa estén aseguradas y que la mesa esté bloqueada en su lugar al ángulo o inclinación deseados.

**⚠ PRECAUCIÓN:** Asegúrese de que la máquina esté instalada sobre una superficie plana, robusta y estable, capaz de soportar el peso de la máquina y la pieza de trabajo a ser lijada.

**NOTA:** La lijadora de disco de 30,50 cm DELTA® tiene una llave de seguridad (A), que se muestra en la Figura 5. La llave de seguridad deberá estar en su lugar para operar la máquina. Antes de proceder a arrancar la lijadora, asegúrese de que la llave de seguridad esté colocada.

- El interruptor de Encendido/Apagado ("ON/OFF") se ubica arriba del motor. Para encender la lijadora ("ON"), mueva el interruptor hacia atrás como se muestra.
- Para apagar la lijadora ("OFF"), mueva el interruptor hacia adelante como se muestra.

**NOTA:** El disco abrasivo en esta lijadora rota en dirección contraria a la de las agujas del reloj. Para prevenir lesiones y obtener buenos resultados, siempre lije sobre el lado izquierdo de la mesa únicamente. Jamás trabaje sobre el lado derecho de la mesa donde el disco rota hacia arriba y es difícil controlar la pieza de trabajo.

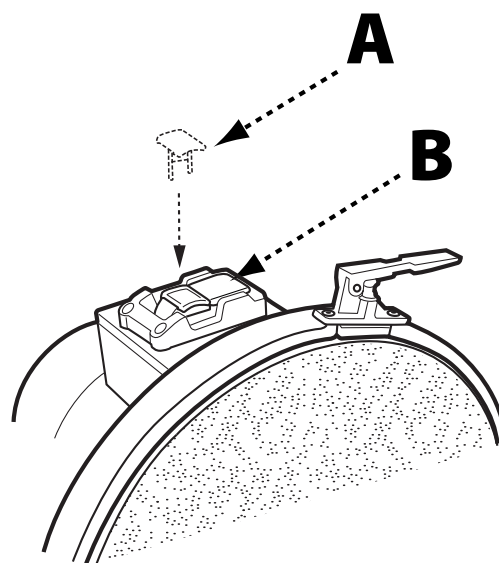


FIGURE 5

## RETIRO DE LA LLAVE DE SEGURIDAD PARA BLOQUEAR LA LIJADORA

Cuando la herramienta no esté en uso, el interruptor deberá estar en la posición de apagado ("OFF"). Esto puede lograrse quitando la llave de seguridad del interruptor (A), como se muestra en la Figura 5. Una vez retirada la llave de seguridad, el interruptor no

funcionará. Si se retira la llave de seguridad mientras la máquina está en funcionamiento, el interruptor podrá llevarse a la posición de apagado ("OFF") una vez, pero no podrá reiniciarse sin antes insertar la llave de seguridad.

## USO DEL FRENO DE DISCO MANUAL

**⚠ ADVERTENCIA:** Aplique el freno cuando el interruptor esté en la posición de apagado ("OFF") únicamente. La aplicación del freno mientras el interruptor está en la posición de encendido ("ON") puede dañar la máquina.

Esta lijadora de disco de 30,50 cm está equipada con un freno de disco manual que detiene el disco abrasivo una vez que el interruptor de potencia está en la posición de apagado ("OFF"). El freno de disco manual se deberá usar únicamente una vez apagada la lijadora. Para aplicar el disco de freno manual, tire hacia abajo de la palanca de freno (A) como se muestra en la Figura 6.

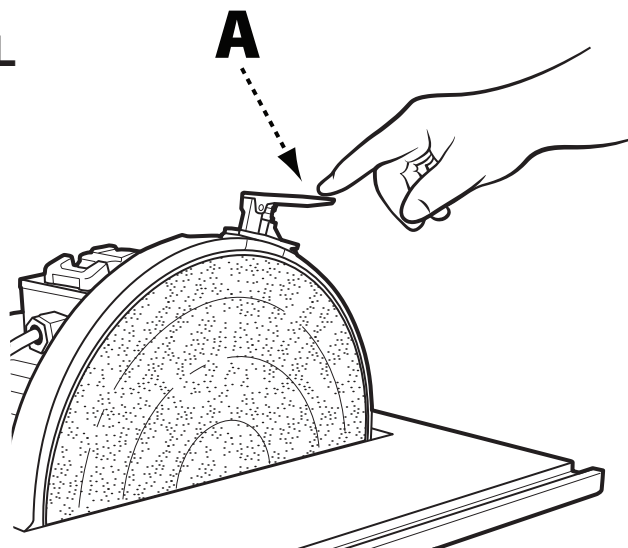


FIGURE 6

# OPERACIÓN

## LIJADO DE ÁREAS ANGULOSAS Y DE BORDES CON GUÍA DE INGLETE

La mayoría del trabajo realizado en la lijadora de disco de 30,50 cm DELTA® se logrará mediante el uso de la mesa como soporte. Para un lijado preciso de superficies angulares y de madera de testa, como se muestra en la Figura 7, su lijadora de disco viene con una guía de inglete ajustable (A) y una ranura en T de 9,5 mm x 19,1 mm (B) colocada en la mesa. Para usar la guía de inglete para lijar en ángulo o madera de testa, haga lo siguiente:

**⚠ PRECAUCIÓN:** Asegúrese de que la máquina esté desconectada del suministro de energía antes de realizar los ajustes.

- Deslice la guía de inglete dentro de la ranura en T.
- Afloje la palanca de ajuste de inglete (C) girándola hacia la izquierda y ajuste la guía de inglete al ángulo

de lijado deseado. Ajuste la palanca de ajuste del inglete.

- Asegúrese de que la pieza de trabajo esté colocada a lo largo de la guía de inglete antes de encender la máquina e iniciar el trabajo.

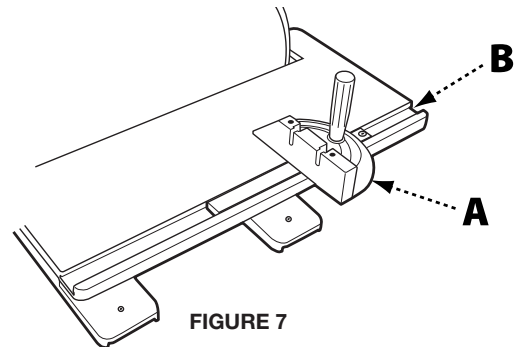


FIGURE 7

## LIJADO A BISEL USANDO LA INCLINACIÓN DE LA MESA

**⚠ PRECAUCIÓN:** Asegúrese de que la máquina esté desconectada del suministro de energía antes de realizar los ajustes.

La mesa puede inclinarse 45 grados hacia arriba o abajo. Se proveen una escala (A), Figura 8, y un indicador (B) para mostrar el grado de inclinación. Las detenciones positivas de indentación por bola sobre el indicador de ajuste de inclinación se ubican a 0°, 35°, y 45°.

Para inclinar la mesa hacia arriba o abajo, afloje la tuerca mariposa de bloqueo (C) y gire la perilla (D). Al girar la perilla, la tabla basculará hacia arriba o abajo. Al girar la perilla en dirección de las agujas del reloj asegúrese de que la inclinación de la mesa esté en posición descendente. Al girar la perilla en dirección opuesta a la de las agujas del reloj la mesa se inclinará hacia arriba. Deje que la mesa bascule hasta que se establezca el ángulo deseado. Luego ajuste la tuerca mariposa de bloqueo de la mesa.

**⚠ ADVERTENCIA:** Sin importar la posición en que la mesa quede inclinada, el borde de la mesa (E), se muestra en la Figura 10, no deberá estar a más de 1,58 mm del disco abrasivo para evitar que el trabajo o los dedos queden atrapados entre la mesa y el disco abrasivo. Para ajustar la posición de la mesa en relación al disco

abrasivo, consulte la sección “Ajuste de alineación de la ranura de la guía de inglete” en la página 35.

**⚠ ADVERTENCIA:** Sugerimos que las aplicaciones de todo lijado a bisel sean realizadas con la pesa inclinada hacia abajo como se muestra en la Figura 9. Sin embargo, si existiese necesidad de inclinar la mesa hacia arriba, la pieza de trabajo deberá ser adecuadamente sujeta a una base o plantilla para prevenir que la pieza sea arrebataada de las manos y se atasque entre la mesa y el disco abrasivo. Vea la Figura 10.

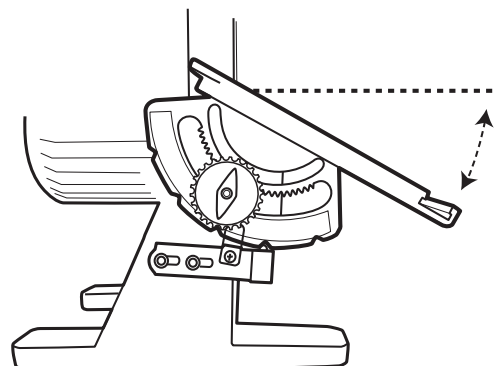


FIGURE 9

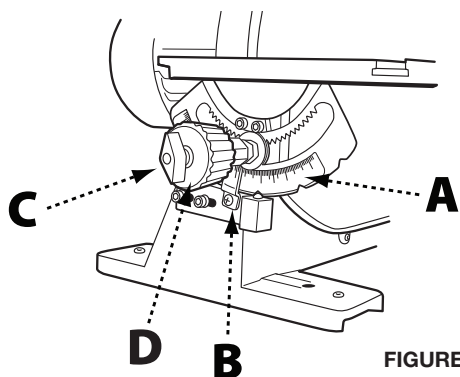


FIGURE 8

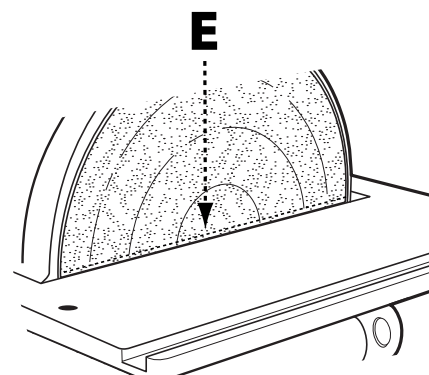


FIGURE 10

# AJUSTES

## AJUSTE DE ALINEACIÓN DE LA RANURA DE LA GUÍA DE INGLETE

**⚠ PRECAUCIÓN:** Asegúrese de que la máquina esté desconectada del suministro de energía antes de realizar los ajustes.

- Compruebe si la ranura de la guía de inglete (A), que se muestra en la Figura 11, está paralela al disco colocando una escuadra de combinación en la ranura de la guía de inglete con un extremo de la escuadra contra el disco, como se muestra.
- Utilice un lápiz, realice una marca sobre el disco abrasivo donde la escuadra toca el disco.
- Rote el disco 180° y compruebe la distancia entre el disco y la ranura de la guía de inglete en el extremo opuesto de la mesa. Si fuese necesario realizar un ajuste, proceda como se indica a continuación:

**NOTA:** Cuando realice el siguiente ajuste, asegúrese de que la tuerca mariposa de bloqueo de la mesa esté ajustada.

- Use la llave hexagonal suministrada, afloje los cuatro tornillos (B) que se muestran en la Figura 12, que mantienen la mesa asegurada con los muñones.
- Ajuste la mesa moviéndola hacia dentro y fuera hasta que la ranura de la guía del inglete esté equidistante del disco en ambos extremos de la mesa.
- Ajuste los cuatro tornillos asegurando la mesa a los muñones.

**⚠ ADVERTENCIA:** Para evitar que el trabajo o los dedos queden atrapados entre la mesa y el disco abrasivo, el borde de la mesa deberá colocarse a un máximo de 1,58 mm del disco abrasivo.

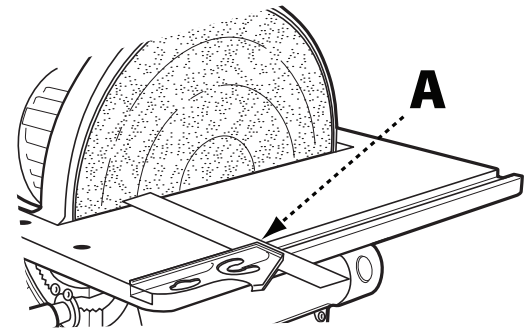


FIGURE 11

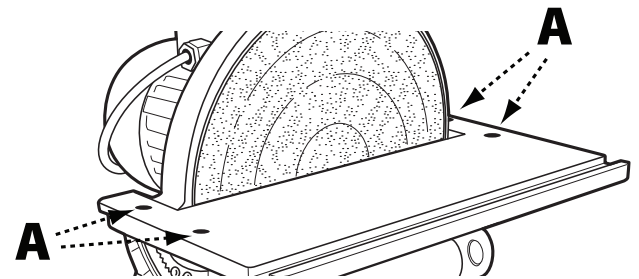


FIGURE 12

## COLOCACIÓN DE LA MESA EN ESCUADRA CON RESPECTO AL DISCO ABRASIVO

**⚠ PRECAUCIÓN:** Asegúrese de que la máquina esté desconectada del suministro de potencia antes de realizar los ajustes.

- Consulte la Figura 13, asegúrese de que el indicador de inclinación de la mesa (A) esté a 0°.
- Coloque una escuadra de modo preciso en la mesa con un extremo de la escuadra contra el disco. Si la mesa no está en escuadra con respecto al disco, proceda como se indica debajo:
- Afloje la tuerca mariposa de bloqueo de la mesa (B).
- Ubique el tornillo de ajuste a 0° que se encuentra debajo de la mesa y afloje la tuerca de sujeción en el tornillo de ajuste.
- Gire el tornillo de ajuste a 0° y vuelva a medir usando la escuadra, repita hasta que la mesa esté en posición de escuadra con respecto al disco abrasivo.
- Una vez que la mesa esté en escuadra, vuelva a ajustar la tuerca de sujeción en el tornillo de ajuste a 0°.
- Ajuste la tuerca mariposa de bloqueo de la mesa.
- Vuelva a calibrar el indicador de inclinación de la mesa aflojando el tornillo de sujeción del indicador y colocando el indicador de inclinación en la marca de 0° en la escala.
- Ajuste el tornillo de fijación del indicador.

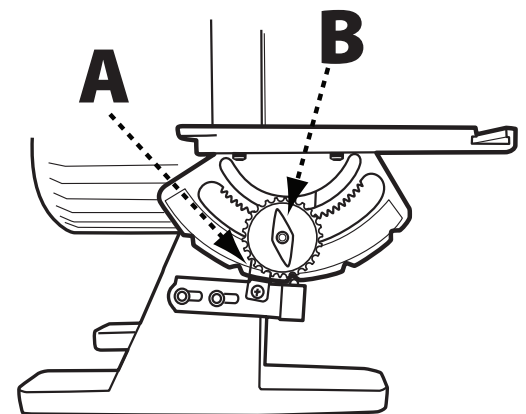


FIGURE 13



# MANTENIMIENTO RECOMENDADO

**NOTA:** Desconecte la máquina del suministro de potencia antes de realizar cualquier tipo de mantenimiento.

## LUBRICACIÓN

Todos los rodamientos están sellados y lubricados de modo permanente. No requieren de otro tipo de lubricación.

## INSPECCIÓN DE RUTINA

Se le recomienda que inspeccione de modo periódico su lijadora de eje como medida preventiva. En dicho momento, compruebe lo siguiente:

- Inspeccione todos los tornillos y tuercas, accesorios y sujeciones que pueden haberse aflojado debido a la vibración, y vuelva a ajustarlos de ser necesario.
- Compruebe que no se hayan acumulado partículas de polvo y/o madera sobre o dentro de la máquina. Compruebe todos los accesorios de recolección de polvo. Vuelva a ajustar aquellos que así lo precisen.
- Inspeccione el interruptor de ENCENDIDO/APAGADO ("ON/OFF") en busca de daños antes de cada uso. Inspeccione de modo periódico el cable de suministro de energía y el enchufe en busca de daños. De ser necesario reemplace el cable de suministro de energía y/o el enchufe no bien descubra los primeros signos de daño visible

## REEMPLAZO DEL DISCO ABRASIVO

**⚠ PRECAUCIÓN:** Asegúrese de que la máquina esté desconectada del suministro de energía.

- Para quitar el disco abrasivo (A), simplemente retire el viejo disco abrasivo de la máquina como se muestra.
- Para instalar un nuevo disco abrasivo, asegúrese de que la placa del disco (B) esté limpia, seca, y libre de grasa, aceite o adhesivo viejo.
- Retire la mitad de la película adhesiva posterior del disco nuevo y deslícelo entre la mesa y la placa del disco para que la mitad sin la película posterior se alinee con la mitad superior de la placa de disco.
- Presione la mitad superior del disco abrasivo sobre la mitad superior de la placa de disco.
- Déle medio giro a la placa de disco de modo manual, retire el resto de la película adhesiva posterior y presione firmemente el disco abrasivo sobre la placa de disco.

**⚠ ADVERTENCIA:** Asegúrese de que el disco abrasivo esté en la posición correcta antes de conectar la máquina a la fuente de suministro de energía.

## ACCESORIOS

Puede obtener una línea completa de accesorios a través de su proveedor de DELTA®, los centros de servicio de fábrica de DELTA® y los puntos de servicio autorizados de DELTA®. Visite nuestro sitio web [www.DeltaMachinery.com](http://www.DeltaMachinery.com) para obtener un catálogo por Internet o el nombre de su proveedor más cercano.

**⚠ ADVERTENCIA:** Debido a que los accesorios que no ofrece DELTA® no han sido probados con este producto, el uso de dichos accesorios puede ser peligroso. Para obtener una operación segura, se deben utilizar con este producto únicamente los accesorios recomendados por DELTA®.

## GARANTÍA

Para registrar su herramienta a fin de recibir el servicio de garantía, visite nuestro sitio web en [www.DeltaMachinery.com](http://www.DeltaMachinery.com).

### Garantía de producto nuevo limitada a cinco años

DELTA® reparará o sustituirá, a su cargo y opción, cualquier nueva máquina, repuesto o accesorio de la máquina DELTA® que, en condiciones normales de utilización, ha demostrado ser defectuoso en mano de obra o material, siempre que el cliente devuelva el producto prepago a un Centro de servicio de fábrica DELTA® o a una estación de servicio autorizada con el comprobante de compra del producto dentro de un plazo de cinco años y le proporcione a DELTA® la oportunidad razonable para verificar el presunto defecto mediante inspección. El período de garantía para todo producto DELTA® reacondicionado es de 180 días. DELTA® no será responsable por ningún defecto encontrado que sea resultado del desgaste normal, mal uso, abuso o reparación o alteración realizada o autorizada específicamente por ninguna parte que no sea un Centro de servicio DELTA® autorizado o representante. Bajo ninguna circunstancia DELTA® será responsable por daños fortuitos o consecuentes derivados de productos defectuosos. Algunos estados no permiten la exclusión o limitación de daños incidentales o consecuentes, por lo que la limitación o exclusión anterior podría no aplicarse a usted. Esta es la única garantía de DELTA® y establece el recurso exclusivo del cliente, con respecto a productos defectuosos; todas las demás garantías, expresas o implícitas, ya sea de comerciabilidad, adecuación para un propósito o de otro tipo, están expresamente excluidas por DELTA®. Para obtener más detalles sobre la cobertura de la garantía e información de la garantía de reparación, visite [www.DeltaMachinery.com](http://www.DeltaMachinery.com) o llame al 1-800-223-7278. Esta garantía le otorga derechos legales específicos y usted puede tener otros derechos que varían en ciertos estados o provincias.

**AMÉRICA LATINA:** Esta garantía no se aplica a los productos vendidos en América Latina. Para los productos vendidos en América Latina, vea la información de garantía específica del país contenida en el embalaje, llame a la empresa local o consulte el sitio web para obtener información de garantía.



## ASISTENCIA SOBRE GARANTÍA, SERVICIO O PIEZAS

Todas las máquinas y accesorios DELTA<sup>®</sup> están fabricados en cumplimiento de altos estándares de calidad y reciben el servicio técnico de una red de centros de servicio de fábrica de DELTA<sup>®</sup> y centros de servicio autorizados de DELTA<sup>®</sup>. Para obtener información adicional sobre su producto de calidad DELTA<sup>®</sup>, obtener asistencia sobre garantía, servicio o piezas, o para localizar el centro de servicio más cercano, llame al 1-800-223-7278.

### PIEZAS DE REPUESTO

Utilice solamente piezas de repuesto idénticas. Para obtener una lista de las piezas o para hacer un pedido de piezas, visite nuestro sitio web en [www.DeltaMachinery.com](http://www.DeltaMachinery.com). También puede hacer un pedido de piezas desde su sucursal de la fábrica más cercana, el centro autorizado de servicio de garantía, o puede llamar al gerente de servicio técnico al número 1-800-223-7278 para recibir asistencia personalizada por parte de uno de nuestros expertos representantes.

### REEMPLAZO GRATUITO DE LA ETIQUETA DE ADVERTENCIA

Si le faltan las etiquetas de advertencia o si se encuentran ilegibles, llame al 1-800-223-7278 para que se las reemplacen de manera gratuita.



### SERVICIO TÉCNICO Y REPARACIONES

Todas las herramientas de calidad en algún momento necesitarán servicio técnico o reemplazo de las piezas. Para obtener información sobre DELTA<sup>®</sup> Power Equipment Corporation, sus sucursales de fábrica o para localizar un centro autorizado de servicio de garantía, visite nuestro sitio web en [www.DeltaMachinery.com](http://www.DeltaMachinery.com) o llame a nuestro centro de atención al cliente al 1-800-223-7278. Todas las reparaciones realizadas en nuestros centros de servicio tienen garantía completa contra materiales o mano de obra defectuosos. La garantía no cubre las reparaciones realizadas por terceros. También puede encontrar respuestas a las preguntas más frecuentes, llamando al número que aparece arriba.

También nos puede escribir para obtener información a: DELTA<sup>®</sup> Power Equipment Corporation, 99 Roush Street, Anderson, SC 29625 - Attention: Technical Service Manager. Asegúrese de incluir toda la información que figura en la placa de identificación de su herramienta (número de modelo, tipo, número de serie, código de fecha, etc.)







**DELTA<sup>®</sup>**  
**POWER EQUIPMENT CORPORATION**

99 Roush Street  
Anderson, South Carolina 29625  
(800) 223-7278  
[www.DeltaMachinery.com](http://www.DeltaMachinery.com)

Copyright © 2013 DELTA<sup>®</sup> Power Equipment Corporation DPEC001142 - 12-10-13

Revised: 12-5-2014



## Free Manuals Download Website

<http://myh66.com>

<http://usermanuals.us>

<http://www.somanuals.com>

<http://www.4manuals.cc>

<http://www.manual-lib.com>

<http://www.404manual.com>

<http://www.luxmanual.com>

<http://aubethermostatmanual.com>

Golf course search by state

<http://golfingnear.com>

Email search by domain

<http://emailbydomain.com>

Auto manuals search

<http://auto.somanuals.com>

TV manuals search

<http://tv.somanuals.com>