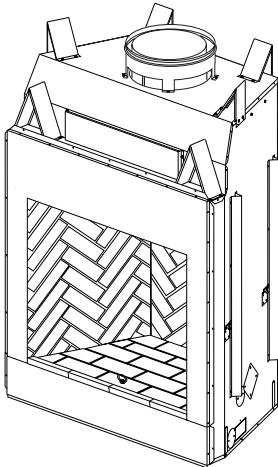




**HEARTH PRODUCTS**

**OUTDOOR WOOD BURNING FIREPLACE**

**OWNER'S OPERATION AND INSTALLATION MANUAL**



We recommend that our products be installed and serviced by professionals who are certified in the U.S. by NFI (National Fireplace Institute).  
[www.nficertified.org](http://www.nficertified.org)

**(V)JM36, (V)JM42,  
(V)JM50 SERIES, WCM-36J,  
WCM-42J AND WCM-50J  
WOOD BURNING MASONRY  
FIREPLACES WITH INSULATION**

### **SAVE THIS BOOK**

This book is valuable. In addition to instructing you on how to install and maintain your appliance, it also contains information that will enable you to obtain replacement parts or accessory items when needed. Keep it with your other important papers.

This fireplace is approved for use as a wood burning fireplace or for use with a vented gas log approved to ANS Z21.60, Z21.84 or RGA 2-72 standards or for use with a vent-free gas log heater approved to ANS Z21.11.2 standard.

This wood burning fireplace complies with UL127-CAN/ULS-S610-M87 standard as a **FACTORY BUILT APPLIANCE**.

**FOR CANADA:** The authority having jurisdiction (such as the municipal building department, fire department, etc.) should be contacted before installation to determine the need to obtain a permit.

**INSTALLER:** Leave this manual with the appliance.  
**CONSUMER:** Retain this manual for future reference.

For more information, visit [www.desatech.com](http://www.desatech.com)

**⚠ WARNING: Improper installation, adjustment, alteration, service or maintenance can cause injury, property damage or loss of life. Refer to this manual for assistance or additional information. Consult a qualified installer or local distributor.**

## TABLE OF CONTENTS

Safety .....	2	Glass Door Installation .....	29
Specifications .....	3	Operation and Maintenance Guidelines .....	31
Fireplace Installation.....	6	Technical Service.....	33
Venting Installation .....	8	Replacement Parts .....	33
Optional Gas Line Installation.....	13	Parts .....	34
Brick Installation .....	14	Accessories .....	37

## SAFETY

**IMPORTANT: Check local codes before installing this fireplace.**

Before beginning the installation of the fireplace, read these instructions through completely.

- This DESA Heating, LLC fireplace and its components are safe when installed according to this installation manual. Unless you use DESA Heating, LLC components, which have been designed and tested for the fireplace system, you may cause a fire hazard.
- The DESA Heating, LLC warranty will be voided by and DESA Heating, LLC disclaims any responsibility for the following actions.
  - a. Modification of the fireplace, components, doors, air inlet system and damper control.
  - b. Use of any component part not manufactured or approved by DESA Heating, LLC in combination with a DESA Heating, LLC fireplace system.

Proper installation is the most important step in ensuring safe and continuous operation of the fireplace. Consult the local building codes as to the particular requirements concerned with the installation of all factory built fireplaces.

**⚠ WARNING: Do not install a fireplace insert in this box unless the manufacturer's instructions with the insert specifically state this fireplace has been tested for use with this insert.**

### FOR YOUR SAFETY

- Do not store or use gasoline or any other flammable vapors or liquids in the vicinity of this or any other appliance.
- Due to high temperatures, the appliance should be located out of traffic and away from furniture and draperies.
- Do not place clothing or other flammable materials on or near the appliance.
- Never leave children unattended when a fire is burning in the fireplace.

**⚠ WARNING: Use solid wood or processed solid fuel firelogs only. When processed wood fuel fire logs are used, do not poke or stir the logs while they are burning. Use only fire logs that have been evaluated for the application in fireplace and refer to fire log warnings and caution markings on packaging prior to use.**

**This fireplace is not intended to be used as a substitute for a furnace to heat an entire home. Use for supplemental heat only.**

# SPECIFICATIONS

## 36" MODELS

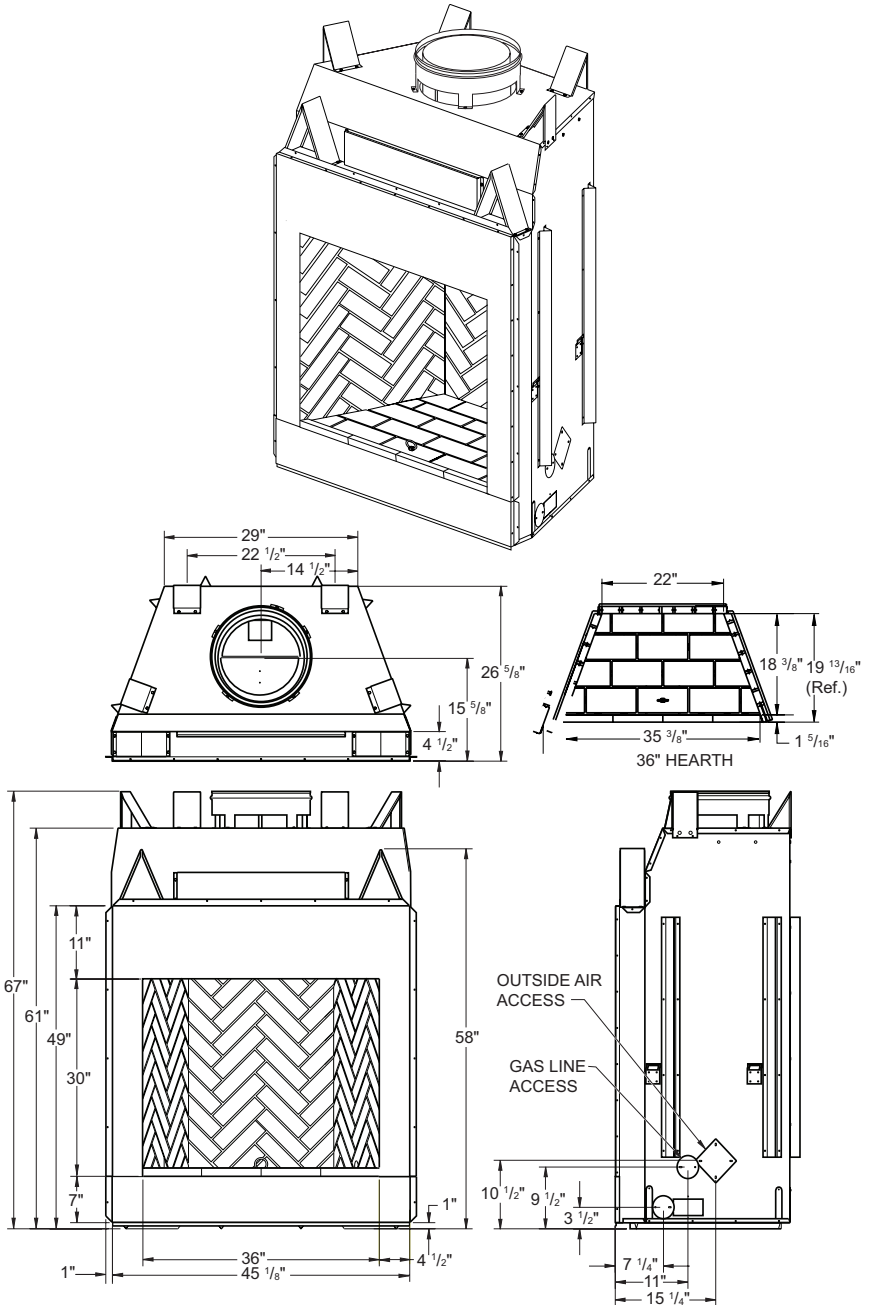


Figure 1 - 36" Models (V)JM36 Series and WCM-36J

# SPECIFICATIONS *Continued*

## 42" MODELS

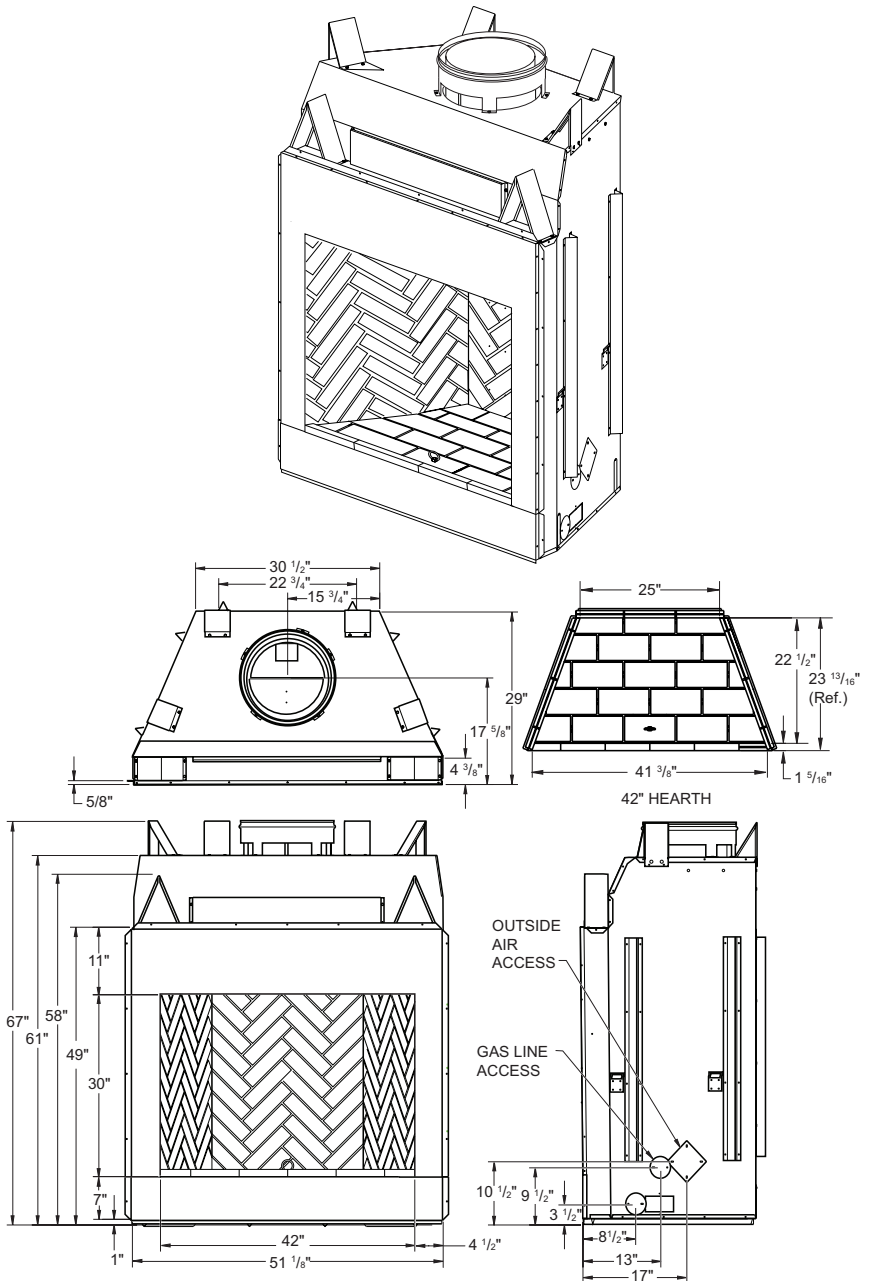


Figure 2 - 42" Models (V)JM42 Series and WCM-42J

# SPECIFICATIONS *Continued*

## 50" MODELS

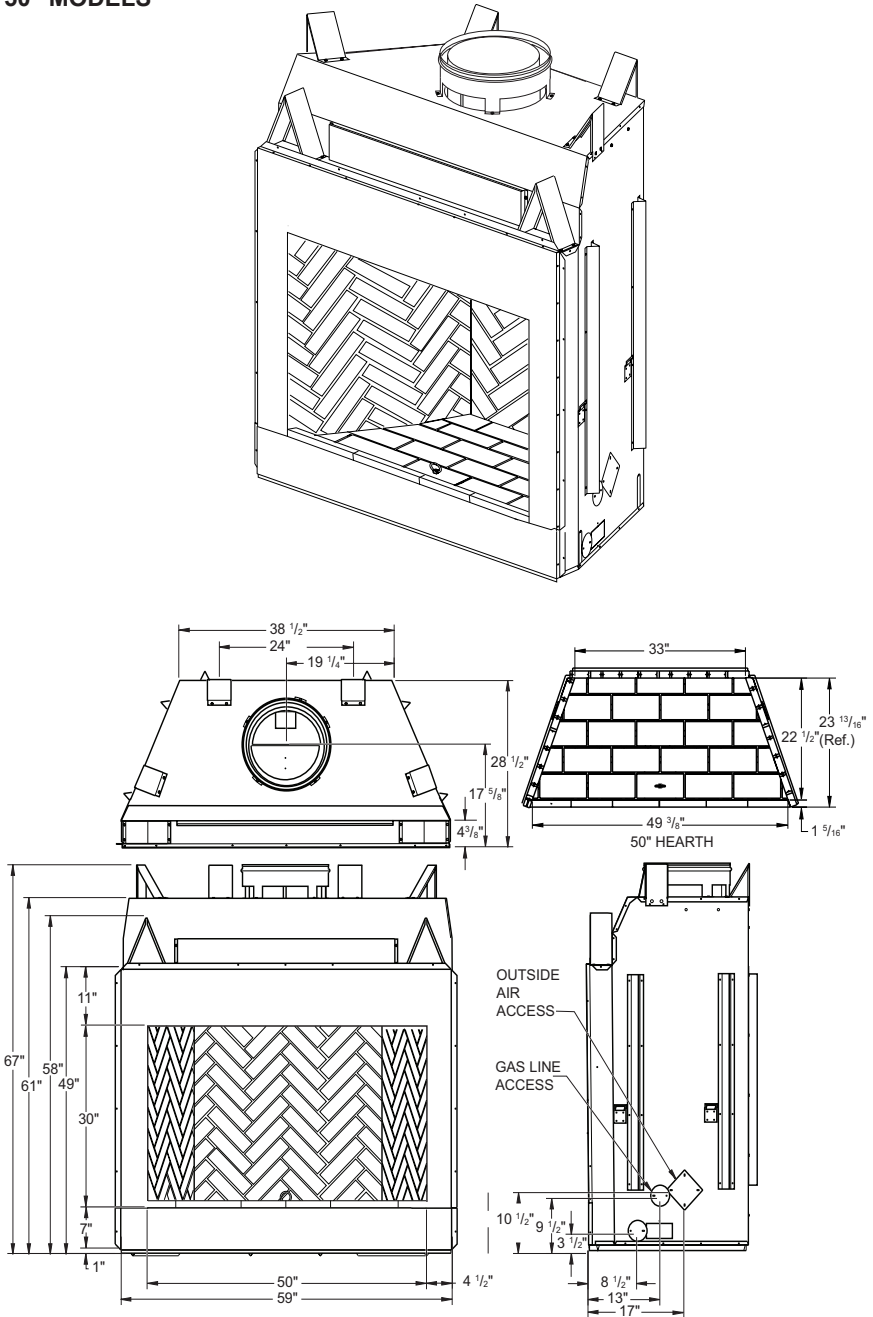


Figure 3 - 50" Models (V)JM50 Series and WCM-50J

# FIREPLACE INSTALLATION

## SELECTING LOCATION

To determine the safest and most efficient location for the fireplace, you must take into consideration the following guidelines:

1. The location must allow for proper clearances (see Figures 4 and 5).
2. Consider a location where fireplace will not be affected by drafts, air conditioning ducts, windows or doors.
3. A location that avoids cutting of joists or roof rafters will make installation easier.
4. An outside air kit is available with this fireplace (see *Optional Outside Air Kit* on page 8).

## MINIMUM CLEARANCE TO COMBUSTIBLES

Back and sides of fireplace	1 1/2" min.*
Front of fireplace	48" min.
Floor**	0" min.
Perpendicular wall to opening	18" min.
36" Models	12" min.
Top spacers	0" min.
Mantel clearances	see <i>Mantels</i> , page 7
Chimney outer pipe surface	2" min.
36" Model	1" min.

\* Not required at nailing flanges

\*\* See step 2 of *Framing*

**WARNING: Do not pack required air spaces with insulation or other materials.**

## Minimum/Maximum Chimney Height for Residential Installation

Minimum height of chimney, measured from base of fireplace to flue gas outlet of termination, is 16 feet for straight flue or a flue with one elbow set. Maximum distance between elbows is 6 feet. For systems with two elbow sets, minimum height is 22 feet. Maximum height of any system is 50 feet. This measurement includes fireplace, chimney sections and height of termination assembly at level of the flue gas outlet (see Figure 15, page 11).

## Minimum/Maximum Chimney Height for Outdoor Installation

Minimum height of chimney, measured from base of fireplace to flue gas outlet of termination, is 9.5 feet (minimum of 4 feet of chimney pipe sections required for outdoor installation).

## FRAMING

1. Frame opening for fireplace using dimensions shown in Figures 4 and 5.
2. If fireplace is to be installed directly on carpeting, tile (other than ceramic) or any combustible material other than wood flooring, fireplace must be installed upon a metal or wood panel extending full width and depth of fireplace.
3. Set fireplace directly in front of this opening and slide unit back until nailing flanges touch side framing.
4. Check level of the fireplace and shim with sheet metal if necessary.
5. Before securing fireplace to prepared framing, ember protector (provided) must be placed between hearth extension (not supplied) and under bottom front edge of fireplace to protect against glowing embers falling through. If fireplace is to be installed on a raised platform, a Z-type ember protector (not supplied) must be fabricated to fit your required platform height. Ember protector should extend under fireplace a minimum of 1 1/2". Ember protector should be made of galvanized sheet metal (28 gauge minimum to prevent corrosion).
6. Using screws or nails, secure fireplace to framing through flanges located on sides of fireplace.

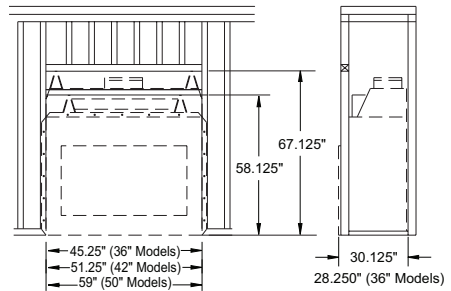


Figure 4 - Framing Dimensions

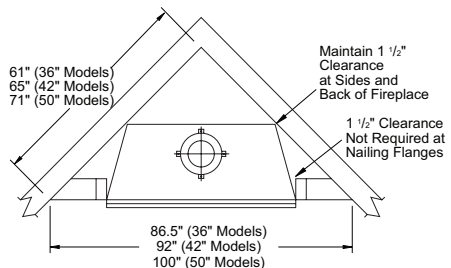


Figure 5 - Corner Installation

# FIREPLACE INSTALLATION

Continued

*Note: For outdoor installations, fireplace enclosure must allow for adequate drainage and fresh air ventilation. It is recommended that a sealed, corrosion resistant catch pan with provision for drainage be installed under fireplace within fireplace enclosure.*

## HEARTH EXTENSION

A hearth extension projecting a minimum of 20" in front of and a minimum of 12" beyond each side of fireplace opening is required to protect combustible floor construction in front of fireplace. Fabricate a hearth extension using a material which meets the following specifications: a layer of noncombustible, inorganic material having a thermal conductivity of  $K=0.84 \text{ BTU IN/FT, HR. F}$  (or less) at 1" thick. For example, if the material selected has a K factor of 0.25, such as glass fiber, the following formula would apply:

$$\frac{0.25 \times 1.0}{0.84} = 0.30" \text{ thickness required}$$

Thermal conductivity "K" of materials can be obtained from manufacturer or supplier of noncombustible material. If hearth extension is to be covered, use noncombustible material such as tile, slate, brick, concrete, metal, glass, marble, stone, etc. Provide a means to prevent hearth extension from shifting and seal gap between fireplace frame and hearth extension with a noncombustible material (see Figure 6).

**WARNING: Hearth extension is to be installed only as shown in Figure 6.**

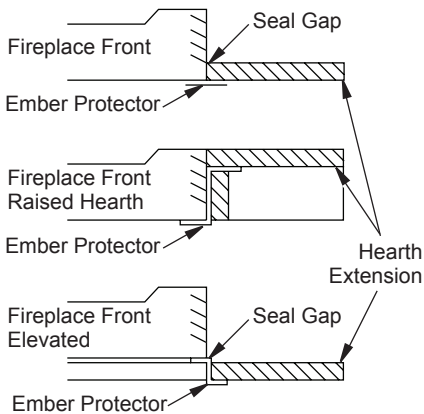


Figure 6 - Hearth Extension

## MANTELS

A mantel may be installed if desired (see Figure 7). Woodwork such as wood trims, mantels or any other combustible material projecting from front face must not be placed within 12" (36" Models) or 18" (42/50" Models) of fireplace opening. Combustible materials above 12" (36" Models) or 18" (42/50" Models) and projecting more than 1 1/2" from fireplace must not be placed less than 15" (36" Models) or 21" (42/50" Models) from the top opening of the fireplace (NFPA STD 211, Sec. 7-3.3.3).

Mantels or any other combustible material also may come up to side edge of black metal front face of fireplace as long as projections from front face fall within limit shown in Figure 7.

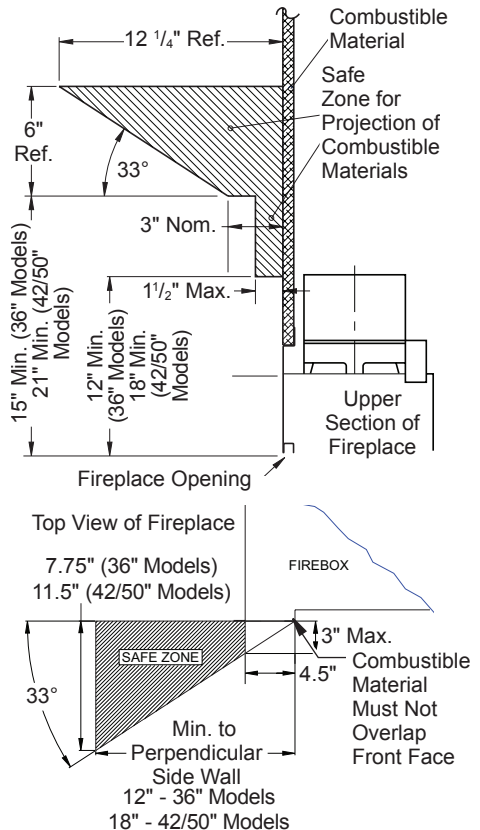


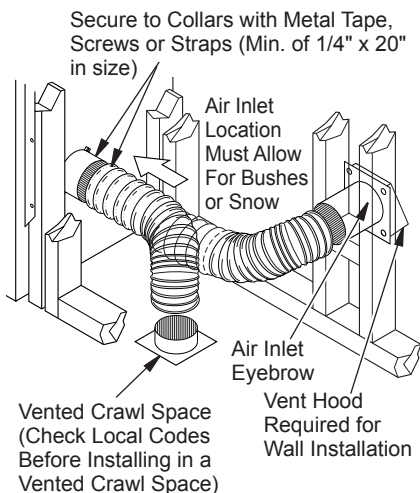
Figure 7 - Mantel Clearances to Combustible Material

# VENTING INSTALLATION

## OPTIONAL OUTSIDE AIR KIT (MODEL AK4/AK4F)

The installation of an outside air kit should be performed during the rough framing of the fireplace due to the nature of its location. Outside combustion air is accessed through a vented crawl space (AK4F) or through a sidewall (AK4).

**CAUTION: Combustion air inlet ducts shall not terminate in attic space.**



Secure to Collars with Metal Tape, Screws or Straps (Min. of 1/4" x 20" in size)

Air Inlet Location Must Allow For Bushes or Snow

Air Inlet Eyebrow

Vent Hood Required for Wall Installation

Vented Crawl Space (Check Local Codes Before Installing in a Vented Crawl Space)

Figure 8 - Outside Air Kit

## CHIMNEY PIPE

The DESA Heating, LLC chimney system consists of 12", 18", 24", 36" and 48" snap-lock, double-wall pipe segments, planned for maximum adaptability to individual site requirements. Actual lengths gained after fitting overlaps must be taken into consideration (lineal gain) and are given in the lineal gain chart (see Figure 9). Lineal Gain is the actual measurable length of a part after two or more parts are connected. For Canada, use chimney parts designated "HT".

**WARNING: The opening in the collar around the chimney at the top of the fireplace must not be obstructed. Never use blown insulation to fill the chimney enclosure.**

LINEAL GAIN		
PART NO.	DESCRIPTION	GAIN
Georgian	Fireplace	66 1/2"
12-12DM 12-12HT	Pipe Section	10 5/8"
18-12DM 18-12HT	Pipe Section	16 5/8"
24-12DM 24-12HT	Pipe Section	23 5/8"
36-12DM 36-12HT	Pipe Section	34 5/8"
48-12DM 48-12HT	Pipe Section	46 5/8"
RLT-12D RLT-12HT	Round Termination	7 3/4"*
STL-12D	Square Chase-Top with Slip Section	7" to 15"*

\* The lineal gain for the terminations is measured to the flue gas outlet height.

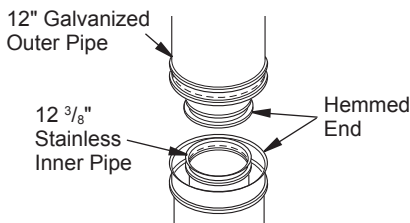


Figure 9 - Lineal Gain

## ASSEMBLY AND INSTALLATION OF DOUBLE WALL CHIMNEY SYSTEM

Each double wall chimney section consists of a galvanized outer pipe, a stainless steel inner flue pipe and a wire spacer. The pipe sections must be assembled independently as the chimney is installed. When connecting chimney directly to the fireplace, the inner flue pipe section must be installed first with the lanced side up. The outer pipe section can then be installed over the flue pipe section with the hemmed end up. Press down on each pipe section until the lances securely engage the hem on the fireplace starter. The wire will assure the proper spacing between the inner and outer pipe sections.

Continue to assemble chimney sections as outlined above, making sure that both the inner and outer pipe sections are locked together. When installing double wall snap-lock chimney together, it is important to assure the joint between the chimney sections is locked. Check by pulling chimney upward after locking. The chimney will not come apart



# VENTING INSTALLATION

*Continued*

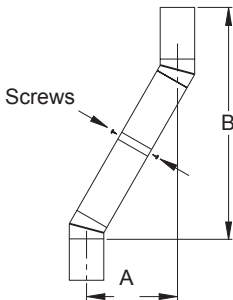
if properly locked. It is not necessary to add screws to keep the chimney together (exception, see Figure 10).

## USING ELBOW OFFSETS (30E-12DM)

1. To achieve desired offset, you may install combinations of 12", 18", 24", 36" and 48" length of double wall pipe (see offset chart and Figure 10).

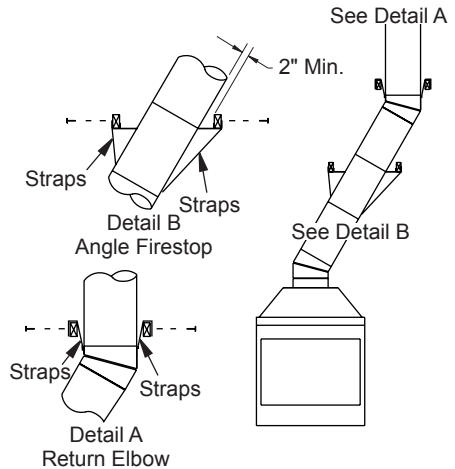
OFFSET A	RISE B	CHIMNEY LENGTH				
		12"	18"	24"	36"	48"
4 3/8"	16 3/8"	ELBOW SET ONLY				
9 3/4"	25 1/2"	1				
12 3/4"	30 3/4"		1			
15"	34 3/4"			1		
18"	40"	1	1			
21 1/4"	46 1/4"				1	
23 3/4"	49 1/4"		1	1		
27 3/4"	56 3/4"					1
30"	60 3/4"		1		1	
33"	66"					1
36"	71"		1			1
38 1/4"	75"					2
41 1/4"	80 1/4"	1	1		1	
45"	86 3/4"				2	
46 3/4"	89 1/2"	1	1			1
51"	97"				1	1
53 1/4"	101"				2	
56 1/4"	106 1/4"					2
59 1/4"	111 1/2"		1		1	1
61 3/4"	115 1/2"	1				2
64 3/4"	120 3/4"		1			2
68 1/4"	127"				2	1
70"	130"	1	1			2
74 1/4"	137 1/2"	1			2	1
76 3/4"	141 1/2"		1		2	1
79 3/4"	146 3/4"				4	

**OFFSET CHART (22-50 FT. SYSTEM HEIGHT)**



**Figure 10 - Elbow Offset**

2. Chimney weight above offset rests on return elbow. Straps must be securely nailed to rafters or joists (see Figure 11, details A and B).
3. Maximum length of pipe between supports (return elbow or 12S-12DM) is 6' of angle run. Maximum of two 6' angle run sections per chimney system (see Figure 12, page 10).
4. All pipe connections between the offset and return must be secured with two screws on the outer pipe only (see Figure 10). Do not penetrate the inner stainless.



**Figure 11 - Ceiling Support Pipe 12S-12DM**

# VENTING INSTALLATION

Continued

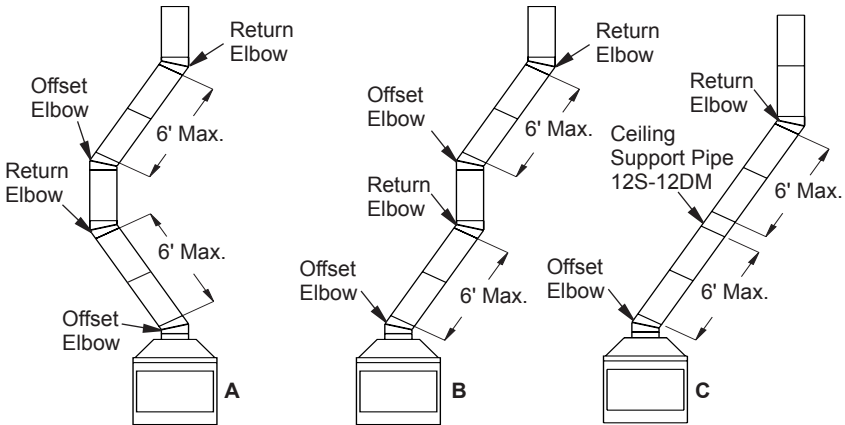


Figure 12 - Typical Offset Terminations

## FIRESTOP SPACERS (FS-10, 1100EFS-10DM FOR 36" MODELS)

Firestop spacers are required at each point where the chimney penetrates a floor space. Their purpose is to establish and maintain the required clearance between the chimney and the combustible materials. When the pipe passes through a framed opening into a living space above, the firestop must be placed onto the ceiling from below as shown in Figure 13.

They also provide complete separation from one floor space to another or attic space as required by most codes. When the double wall pipe passes through a framed opening into an attic space, the firestop must be placed into an attic floor as shown in Figure 14.

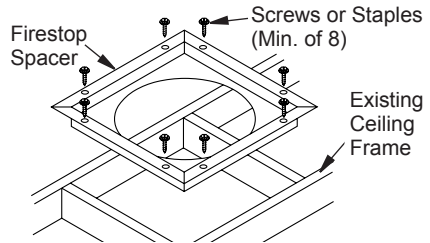


Figure 14 - Firestop Spacer with Attic Space Above Ceiling

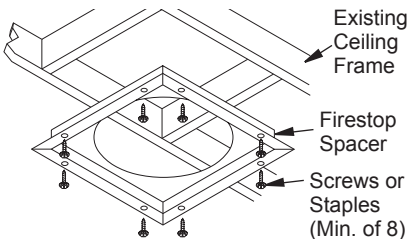


Figure 13 - Firestop Spacer with Living Space Above Ceiling

## PENETRATING THE ROOF

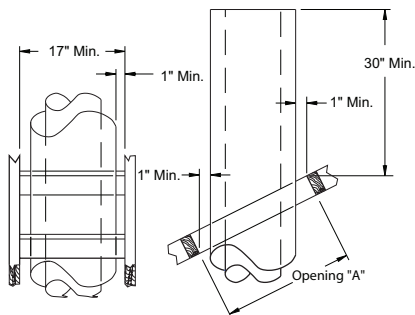
To maintain a 1" (36" Models) or 2" (42/50" Models) clearance to the pipe on a roof with a pitch, a rectangular opening must be cut.

1. Determine center point through which pipe will penetrate roof.
2. Determine center point of roof. Pitch is distance the roof drops over a given span, usually 12". A 6/12 pitch means that roof drops 6" for each 12" measured horizontally down from roof rafters.
3. Use roof opening chart (Figure 15, page 11) to determine correct opening length and flashing required.
4. Remove shingles around opening measured. Cut out this section.

# VENTING INSTALLATION

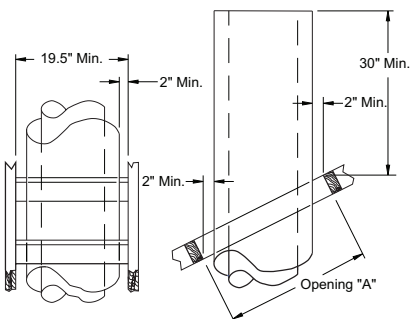
*Continued*

5. Add next sections of pipe until end penetrates roof line. Check to see that proper clearances are maintained. Extend chimney by adding sections of double wall pipe until pipe is minimum of 30" above highest point of roof cutout. Termination and chimney must extend a minimum of 36" above highest point where it passes through roof.



Pitch	Slope	Opening "A" Max.	Used Flashing Model No.
Flat	0°	17"	V6F-10DM
0-6/12	26.6°	19"	V6F-10DM
6/12-12/12	45.0°	24"	V12F-10DM

**Roof Opening 36" Models**



Pitch	Slope	Opening "A" Max.	Used Flashing Model No.
Flat	0°	19.5"	V6F-10DM
0-6/12	26.6°	22"	V6F-10DM
6/12-12/12	45.0°	27"	V12F-10DM

**Roof Opening 42" and 50" Models**

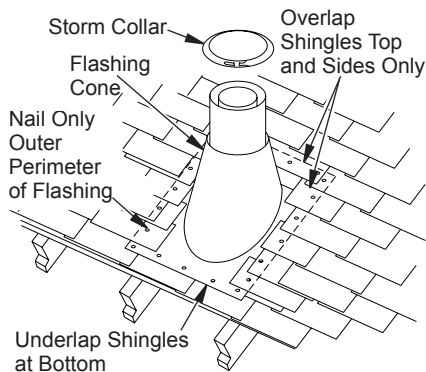
**Figure 15 - Roof Opening Measurements**

## FLASHING INSTALLATION (V6F-10DM OR V12F-10DM)

Determine the flashing to be used with the roof opening chart. Slide flashing over pipe until base is flat against roof. Replace as many shingles as needed to cover exposed area and flashing base. Secure in position by nailing through shingles (see Figure 16). DO NOT NAIL THROUGH FLASHING CONE.

### Installing Flashing on a Metal Roof

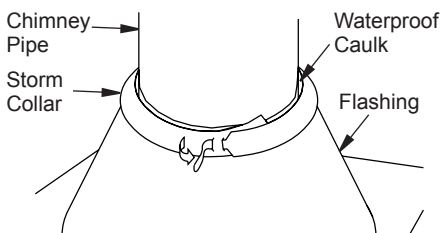
When installing the flashing on a metal roof, it is required that putty tape be used between the flashing and the roof. The flashing must be secured to the roof using #8 x 3/4" screws and then sealed with roof coating to prevent leakage through the screw holes. A roof coating must also be applied around the perimeter of the flashing to provide a proper seal.



**Figure 16 - Flashing Installation**

### Storm Collar Installation (SC2-1)

Place storm collar over pipe and slide down until it is snug against the open edge of the flashing (see Figure 17). Apply waterproof caulk around the perimeter of the collar to provide a proper seal.



**Figure 17 - Storm Collar**

# VENTING INSTALLATION

Continued

## Terminations/Spark Arrestor

The fireplace system must be terminated with the listed round top or chase terminations. In any case, refer to the installation instructions supplied with the termination.

**CAUTION:** Do not seal openings on the rooftop flashing. Follow the installation instructions provided with the termination being used.

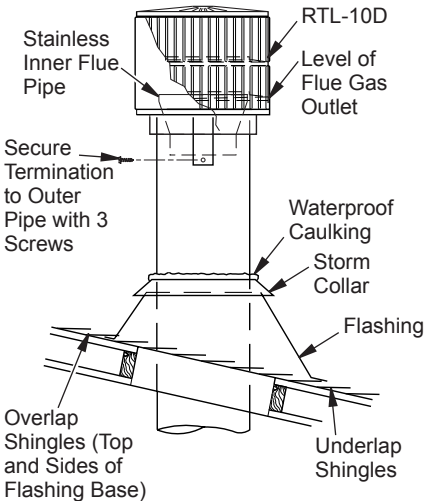


Figure 18 - Termination

## CHASE INSTALLATIONS

Instructions for chase installations are included with the chase style termination chosen. In a multiple chase installation, be sure to provide adequate distance between terminations to prevent smoke spillage from one termination to another. We suggest that terminations be separated at least 24", center to center and stacked at a vertical height difference of 18" (see Figure 19).

*Note: If a decorative shroud is to be installed, contact the manufacturer for specifications.*

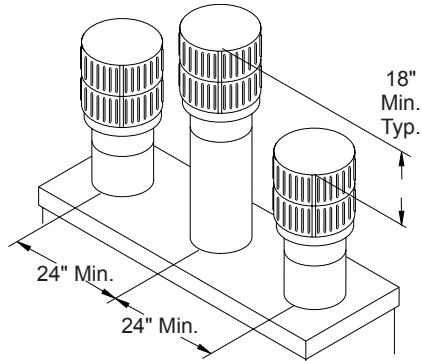


Figure 19 - Multiple Chase Installation

## 10 FOOT RULE

All flue gas outlet chimney terminations must extend a minimum of 3 feet in height above the highest point where it passes through the roof and must be at least 2 feet above the highest point of the roof that is within a horizontal distance of 10 feet (see Figure 20).

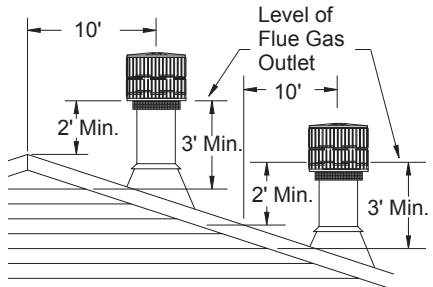


Figure 20 - 10 Foot Rule

## FINISHING THE FIREPLACE

Combustible materials, such as wallboard, gypsum board, sheet rock, drywall, plywood, etc. may make direct contact with sides and top around the fireplace face. It is important that combustible materials do not overlap the face itself. Brick, glass, tile or other noncombustible materials may overlap the front face provided they do not obstruct essential openings like louvered slots or any other opening. When overlapping with a noncombustible facing material, use only noncombustible mortar or adhesive.

## OPTIONAL GAS LINE INSTALLATION

Gas line hook up should be done by your supplier or a qualified service person.

*Note: Before you proceed, make sure your gas supply is turned off.*

Use only a 1/2" black iron pipe and appropriate fittings.

1. Remove knockout indentation on refractory or firebrick wall located above refractory hearth floor. Knockout indentation must be firmly tapped with any solid object such as a 1/2" dowel until it is released. Remove fragmented portions of refractory (see Figure 21).
2. Remove gas line cover plate located on either side of fireplace and pull out insulation from gas line conduit sleeve. Save insulation for reuse. Replace screws.
3. Run a 1/2" black iron gas line into fireplace through the rear at gas line conduit sleeve (if using a raised platform, add height). Provide sufficient gas line into fireplace chamber for fitting connection (see Figure 22).

*Note: Secure incoming gas line to wood framing to provide rigidity for threaded end.*

4. Repack insulation around gas line and into sleeve opening. Seal any gaps between gas line and refractory knockout hole with refractory cement or commercial furnace cement, Install the gas appliance or cap-off gas line if desired.

**CAUTION:** All gas piping and connections must be tested for leaks after the installation is completed. After ensuring that the gas valve is on, apply soap and water solution to all connections and joints. Bubbles forming show a leak. Correct all leaks at once. **DO NOT USE AN OPEN FLAME FOR LEAK TESTING AND DO NOT OPERATE ANY APPLIANCE IF A LEAK IS DETECTED. LEAK TESTING SHOULD BE DONE BY A QUALIFIED SERVICE PERSON.**

**WARNING:** Do not operate an unvented gas log set in this fireplace with the chimney removed.

If you install a decorative gas appliance (vented gas log), the decorative gas appliance must comply with the *Standard for Decorative Gas Appliance for Installation in Solid Fuel Burning Fireplaces, ANS Z21.60, Z21.84 or RG 2-72* and shall also be installed in accordance with the *National Fuel Gas Code, ANSI Z223NFPA 54 latest edition.*

**WARNING:** If the fireplace has been used for wood burning, the firebox and chimney must be cleaned of soot, creosote and ashes by a qualified chimney cleaner. Creosote will ignite if heavily heated.

**WARNING:** When using a decorative vented gas log, the damper must be removed or permanently locked in the fully open position and the glass doors must be in the fully open position.

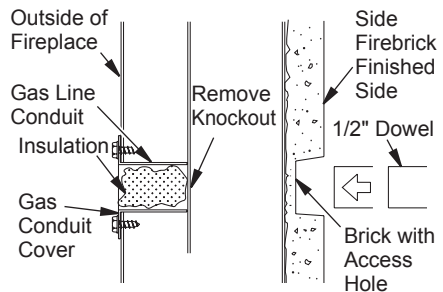


Figure 21 - Gas Line Access

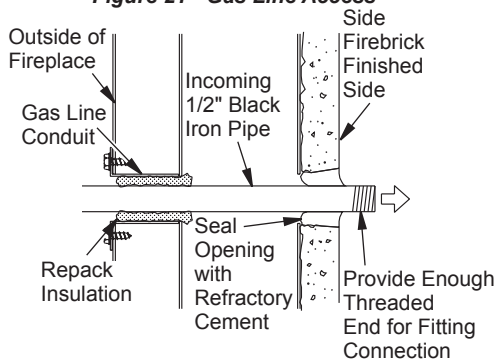


Figure 22 - Gas Line Installation

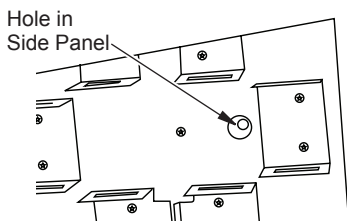
# BRICK INSTALLATION

## BRICK PANEL INSTALLATION

**IMPORTANT: Installation of brick should be done after the fireplace is placed in a permanent location.**

The brick housings are already installed on the panels. When installing brick housing panels into fireplace, wear gloves as edges may be sharp.

1. Beginning with left side panel, place panel, bottom edge first, at an angle into fireplace. Secure to bottom of fireplace with screws provided.
2. Install right side as left side in step 1 using screws provided.
3. Install back panel and secure back to sides and bottom of firebox with screws provided.
4. Using self-tapping screws and a drill, place screws into large holes in back and side panels (see *Parts*, page 34), through wire mesh and into firebox wrapper to secure.



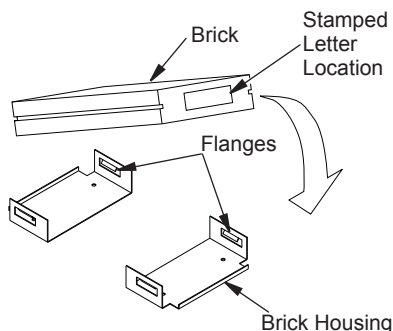
**Figure 23 - Hole in Side Panel to Attach to Firebox Wrapper**

## BRICK INSTALLATION

Each brick housing is stamped with a number (full size bricks are not stamped). These numbers will help identify the brick when installing. It is important to install these bricks exactly as instructed. Press brick firmly into brick housing until it snaps. Groove line on side of brick will come in contact with flange on the brick housing. This secures brick into housing (see Figure 24). Smaller bricks may require a small portion of furnace cement applied to back of brick to secure it until grouting has been completed.

Bricks are packaged in separate boxes. The brick matrixes on pages 15 through 27 show how bricks are packaged and placed for each size fireplace and the number of bricks per box. There are 2 extra full bricks included in Hearth Brick package.

Install bricks one section at a time starting with hearth panel followed by the rear panel, left panel and right panel. It is important to install the bricks in sequence. Please note, full size bricks are NOT stamped.

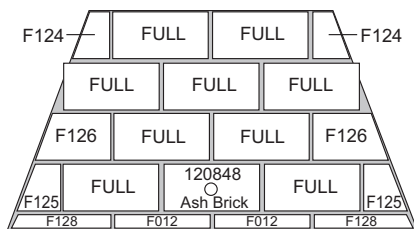


**Figure 24 - Installing Brick**

# BRICK INSTALLATION

Continued

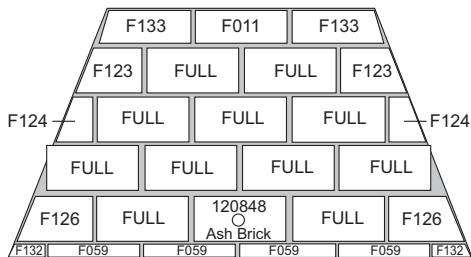
## HEARTH BRICK MATRIX



36" Hearth

RED	IVORY	QTY
FULL	FULL	11*
(112140-01)	(112140-05)	
ASH BRICK	ASH BRICK	1
(120848-01)	(120848-03)	
F012R	F012W	2
F124R	F124W	2
F125R	F125W	2
F126R	F126W	2
F128R	F128W	2

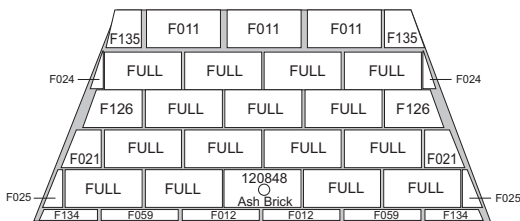
\* Includes 2 extra bricks.



42" Hearth

RED	IVORY	QTY
FULL	FULL	13*
(112140-01)	(112140-05)	
ASH BRICK	ASH BRICK	1
(120848-01)	(120848-03)	
F011R	F011W	1
F059R	F059W	4
F123R	F123W	2
F124R	F124W	2
F126R	F126W	2
F132R	F132W	2
F133R	F133W	2

\* Includes 2 extra bricks.



50" Hearth

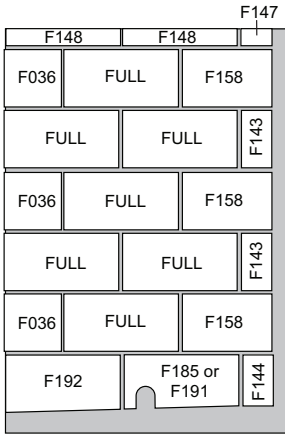
RED	IVORY	QTY
FULL	FULL	17*
(112140-01)	(112140-05)	
ASH BRICK	ASH BRICK	1
(120848-01)	(120848-03)	
F011R	F011W	3
F012R	F012W	2
F021R	F021W	2
F024R	F024W	2
F025R	F025W	2
F059R	F059W	2
F126R	F126W	2
F134R	F134W	2
F135R	F135W	2

\* Includes 2 extra bricks.

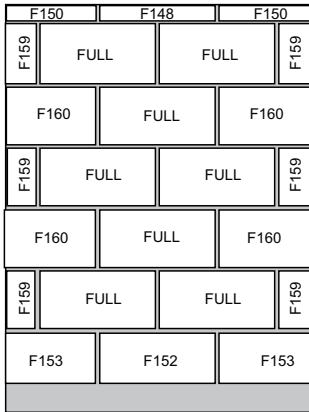
# BRICK INSTALLATION

Continued

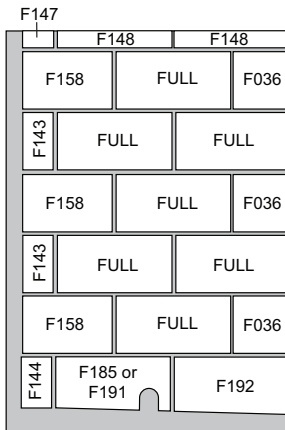
## 36" FULL STACKED BRICK MATRIX



LEFT REFRACTORY		
RED	IVORY	QTY
FULL	FULL	7
(112140-01)	(112140-05)	
F036R	F036W	3
F143R	F143W	2
F144R	F144W	1
F147R	F147W	1
F148R	F148W	2
F158R	F158W	3
F185R	F185W	1
F191R	F191W	1
F192R	F192W	1



REAR REFRACTORY		
RED	IVORY	QTY
FULL	FULL	8
(112140-01)	(112140-05)	
F148R	F148W	1
F150R	F150W	2
F152R	F152W	1
F153R	F153W	2
F159R	F159W	6
F160R	F160W	4



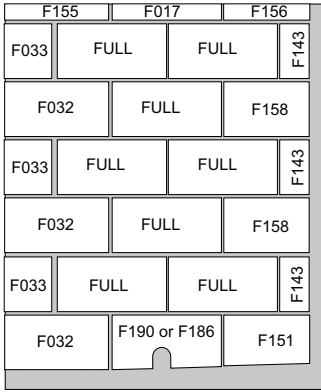
RIGHT REFRACTORY		
RED	IVORY	QTY
FULL	FULL	7
(112140-01)	(112140-05)	
F036R	F036W	3
F143R	F143W	2
F144R	F144W	1
F147R	F147W	1
F148R	F148W	2
F158R	F158W	3
F185R	F185W	1
F191R	F195W	1
F192R	F192W	1



# BRICK INSTALLATION

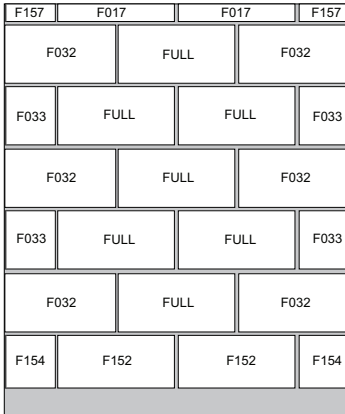
Continued

## 42" FULL STACKED BRICK MATRIX



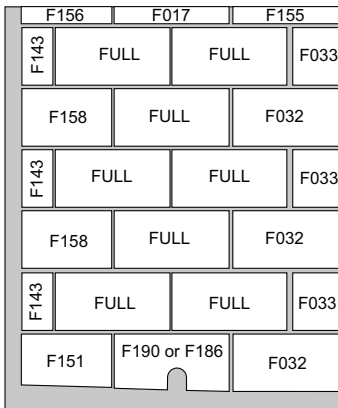
### LEFT REFRACTORY

<u>RED</u>	<u>IVORY</u>	<u>QTY</u>
FULL	FULL	8
(112140-01)	(112140-05)	
F017R	F017W	1
F032R	F032W	3
F033R	F033W	3
F143R	F143W	3
F151R	F151W	1
F155R	F155W	1
F156R	F156W	1
F158R	F158W	2
F186R	F186W	1
F190R	F190W	1



### REAR REFRACTORY

<u>RED</u>	<u>IVORY</u>	<u>QTY</u>
FULL	FULL	7
(112140-01)	(112140-05)	
F017R	F017W	2
F032R	F032W	6
F033R	F033W	4
F152R	F152W	2
F154R	F154W	2
F157R	F157W	2



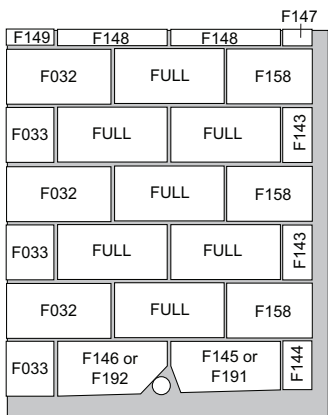
### RIGHT REFRACTORY

<u>RED</u>	<u>IVORY</u>	<u>QTY</u>
FULL	FULL	8
(112140-01)	(112140-05)	
F017R	F017W	1
F032R	F032W	3
F033R	F033W	3
F143R	F143W	3
F151R	F151W	1
F155R	F155W	1
F156R	F156W	1
F158R	F158W	2
F186R	F186W	1
F190R	F190W	1

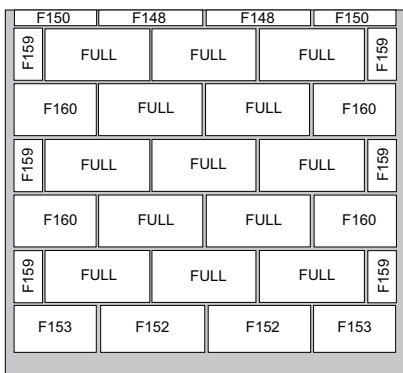
# BRICK INSTALLATION

Continued

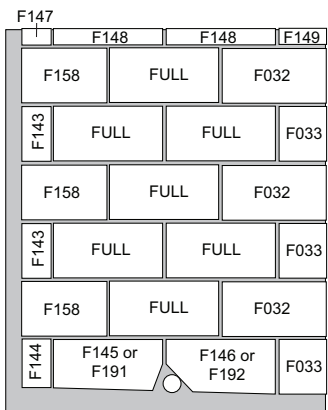
## 50" FULL STACKED BRICK MATRIX



LEFT REFRACTORY		
RED	IVORY	QTY
FULL (112140-01)	FULL (112140-05)	7
F032R	F032W	3
F033R	F033W	3
F143R	F143W	2
F144R	F144W	1
F145R	F145W	1
F146R	F146W	1
F147R	F147W	1
F148R	F148W	2
F149R	F149W	1
F158R	F158W	3
F191R	F191W	1
F192R	F191W	1



REAR REFRACTORY		
RED	IVORY	QTY
FULL (112140-01)	FULL (112140-05)	13
F148R	F148W	2
F150R	F150W	2
F152R	F152W	2
F153R	F153W	2
F159R	F159W	6
F160R	F160W	4

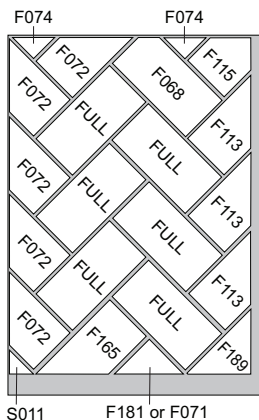


RIGHT REFRACTORY		
RED	IVORY	QTY
FULL (112140-01)	FULL (112140-05)	7
F032R	F032W	3
F033R	F033W	3
F143R	F143W	2
F144R	F144W	1
F145R	F145W	1
F146R	F146W	1
F147R	F147W	1
F148R	F148W	2
F149R	F149W	1
F158R	F158W	3
F191R	F191W	1
F192R	F192W	1

# BRICK INSTALLATION

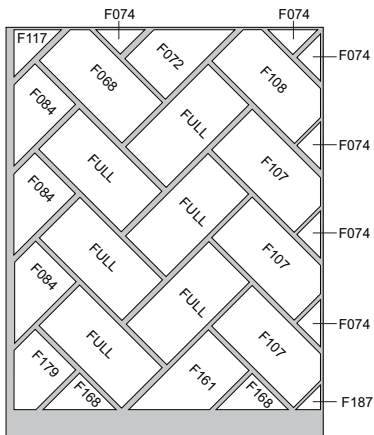
Continued

## 36" FULL HERRINGBONE BRICK MATRIX



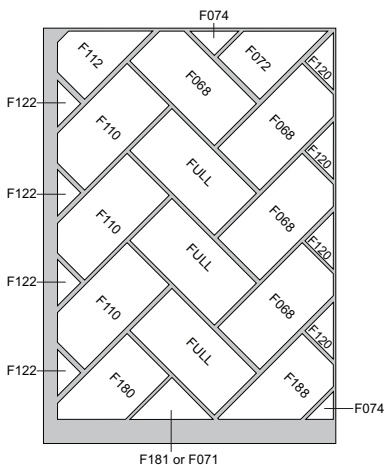
### LEFT REFRACTORY

<u>RED</u>	<u>IVORY</u>	<u>QTY</u>
FULL	FULL	6
(112140-01)	(112140-05)	
F068R	F068W	1
F071R	F071W	1
F072R	F072W	5
F074R	F074W	2
F113R	F113W	3
F115R	F115W	1
F165R	F165W	1
F181R	F181W	1
F189R	F189W	1
S011R	S011W	1



### REAR REFRACTORY

<u>RED</u>	<u>IVORY</u>	<u>QTY</u>
FULL	FULL	6
(112140-01)	(112140-05)	
F068R	F068W	1
F072R	F072W	1
F074R	F074W	6
F084R	F084W	3
F107R	F107W	3
F108R	F108W	1
F117R	F117W	1
F161R	F161W	1
F168R	F168W	2
F179R	F179W	1
F187R	F187W	1



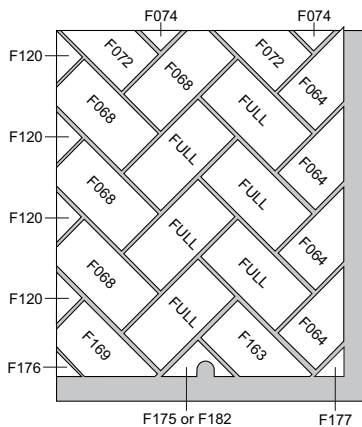
### RIGHT REFRACTORY

<u>RED</u>	<u>IVORY</u>	<u>QTY</u>
FULL	FULL	3
(112140-01)	(112140-05)	
F068R	F068W	4
F071R	F071W	1
F072R	F072W	1
F074R	F074W	2
F110R	F110W	3
F112R	F112W	1
F120R	F120W	4
F122R	F122W	4
F180R	F180W	1
F181R	F181W	1
F188R	F188W	1

# BRICK INSTALLATION

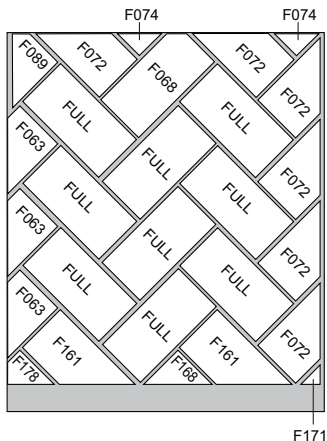
Continued

## 42" FULL HERRINGBONE BRICK MATRIX



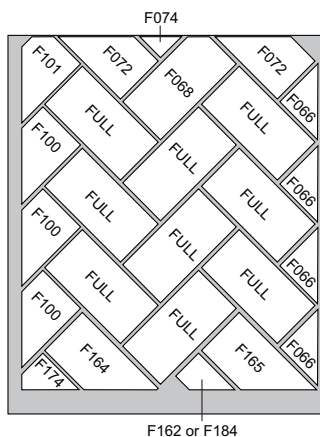
### LEFT REFRACTORY

<u>RED</u>	<u>IVORY</u>	<u>QTY</u>
FULL (112140-01)	FULL (112140-05)	6
F064R	F064W	4
F068R	F068W	4
F072R	F072W	2
F074R	F074W	2
F120R	F120W	4
F163R	F163W	1
F169R	F169W	1
F175R	F175W	1
F176R	F176W	1
F177R	F177W	1
F182R	F182W	1



### REAR REFRACTORY

<u>RED</u>	<u>IVORY</u>	<u>QTY</u>
FULL (112140-01)	FULL (112140-05)	9
F063R	F063W	3
F068R	F068W	1
F072R	F072W	6
F074R	F074W	2
F089R	F089W	1
F161R	F161W	2
F168R	F168W	1
F171R	F171W	1
F178R	F178W	1



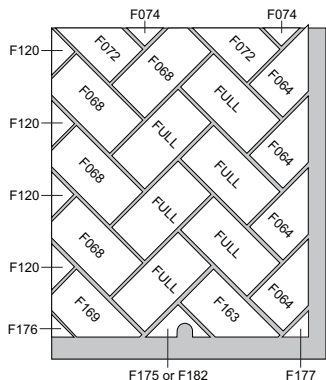
### RIGHT REFRACTORY

<u>RED</u>	<u>IVORY</u>	<u>QTY</u>
FULL (112140-01)	FULL (112140-05)	9
F068R	F068W	1
F071R	F071W	4
F072R	F072W	2
F074R	F074W	1
F100R	F100W	3
F101R	F101W	1
F162R	F162W	1
F164R	F164W	1
F165R	F165W	1
F174R	F174W	1

# BRICK INSTALLATION

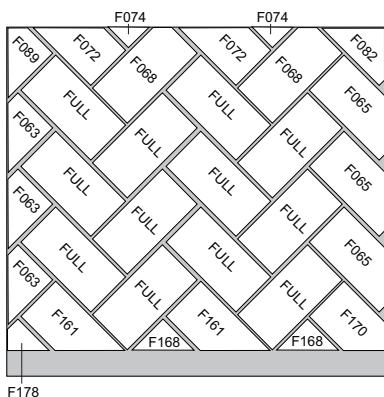
Continued

## 50" FULL HERRINGBONE BRICK MATRIX



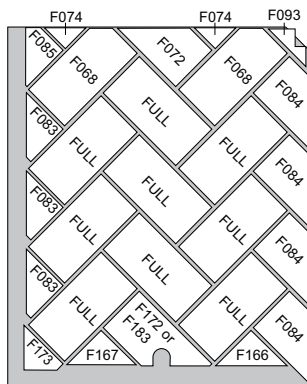
### LEFT REFRACTORY

<u>RED</u>	<u>IVORY</u>	<u>QTY</u>
FULL (112140-01)	FULL (112140-05)	6
F064R	F064W	4
F068R	F068W	4
F072R	F072W	2
F074R	F074W	2
F120R	F120W	4
F163R	F163W	1
F169R	F169W	1
F175R	F175W	1
F176R	F176W	1
F177R	F177W	1
F182R	F182W	1



### REAR REFRACTORY

<u>RED</u>	<u>IVORY</u>	<u>QTY</u>
FULL (112140-01)	FULL (112140-05)	12
F063R	F063W	3
F065R	F065W	3
F068R	F068W	2
F072R	F072W	2
F074R	F074W	2
F082R	F082W	1
F089R	F089W	1
F161R	F161W	2
F168R	F168W	2
F170R	F170W	1
F178R	F178W	1



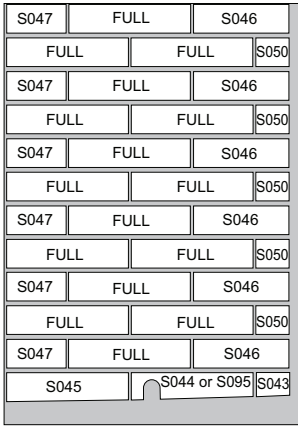
### RIGHT REFRACTORY

<u>RED</u>	<u>IVORY</u>	<u>QTY</u>
FULL (112140-01)	FULL (112140-05)	9
F068R	F068W	2
F072R	F072W	1
F074R	F074W	2
F083R	F083W	3
F084R	F084W	4
F085R	F085W	1
F093R	F093W	1
F166R	F166W	1
F167R	F167W	1
F172R	F172W	1
F173R	F173W	1
F183R	F183W	1

# BRICK INSTALLATION

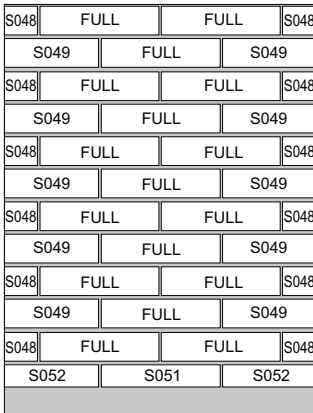
Continued

## 36" SPLIT STACKED BRICK MATRIX



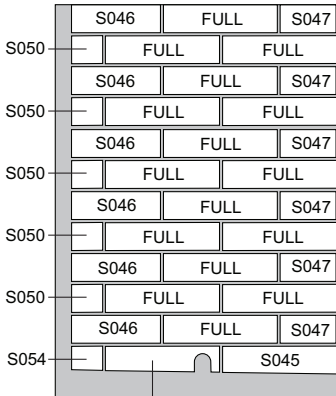
### LEFT REFRACTORY

RED	IVORY	QTY
FULL	FULL	16
(112140-02) (112140-06)		
S043R	S043W	1
S044R	S044W	1
S045R	S045W	1
S046R	S046W	6
S047R	S047W	6
S050R	S050W	5
S095R	S095W	1



### REAR REFRACTORY

RED	IVORY	QTY
FULL	FULL	17
(112140-02) (112140-06)		
S048R	S048W	12
S049R	S049W	10
S051R	S051W	1
S052R	S052W	2



### RIGHT REFRACTORY

RED	IVORY	QTY
FULL	FULL	16
(112140-02) (112140-06)		
S044R	S044W	1
S045R	S045W	1
S046R	S046W	6
S047R	S047W	6
S050R	S050W	5
S054R	S054W	1
S095R	S095W	1

S044 or S095

# BRICK INSTALLATION

Continued

## 42" SPLIT STACKED BRICK MATRIX

S077	FULL	FULL		S050
S076	FULL	S046		
S077	FULL	FULL		S050
S076	FULL	S046		
S077	FULL	FULL		S050
S076	FULL	S046		
S077	FULL	FULL		S050
S076	FULL	S046		
S077	FULL	FULL		S050
S076	FULL	S046		
S077	FULL	FULL		S050
S076	FULL	S046		
S077	FULL	FULL		S050
S076		S045 or S081	S080	

### LEFT REFRACTORY

<u>RED</u>	<u>IVORY</u>	<u>QTY</u>
FULL (112140-02)	FULL (112140-06)	17
S045R	S045W	1
S046R	S046W	5
S050R	S050W	6
S076R	S076W	6
S077R	S077W	6
S080R	S080W	1
S081R	S081W	1

S076	FULL	S076	
S077	FULL	FULL	S077
S076	FULL	S076	
S077	FULL	FULL	S077
S076	FULL	S076	
S077	FULL	FULL	S077
S076	FULL	S076	
S077	FULL	FULL	S077
S076	FULL	S076	
S077	FULL	FULL	S077
S076	FULL	S076	
S077	FULL	FULL	S077
S076	FULL	S076	
S078	S051	S051	S078

### REAR REFRACTORY

<u>RED</u>	<u>IVORY</u>	<u>QTY</u>
FULL (112140-02)	FULL (112140-06)	16
S051R	S051W	2
S076R	S076W	12
S077R	S077W	10
S078R	S078W	2

S050	FULL	FULL	S077
S046	FULL	S076	
S050	FULL	FULL	S077
S046	FULL	S076	
S050	FULL	FULL	S077
S046	FULL	S076	
S050	FULL	FULL	S077
S046	FULL	S076	
S050	FULL	FULL	S077
S046	FULL	S076	
S050	FULL	FULL	S077
S046	FULL	S076	
S050	FULL	FULL	S077
S082	S045 or S081	S076	

### RIGHT REFRACTORY

<u>RED</u>	<u>IVORY</u>	<u>QTY</u>
FULL (112140-02)	FULL (112140-06)	17
S045R	S045W	1
S046R	S046W	5
S050R	S050W	6
S076R	S076W	6
S077R	S077W	6
S081R	S081W	1
S082R	S082W	1

# BRICK INSTALLATION

Continued

## 50" SPLIT STACKED BRICK MATRIX

S076	FULL	S046	
S077	FULL	FULL	S050
S076	FULL	S046	
S077	FULL	FULL	S050
S076	FULL	S046	
S077	FULL	FULL	S050
S076	FULL	S046	
S077	FULL	FULL	S050
S076	FULL	S046	
S077	FULL	FULL	S050
S076	FULL	S046	
S077	S045 or S096	S095	S043

### LEFT REFRACTORY

RED	IVORY	QTY
FULL	FULL	16
(112140-02)	(112140-06)	
S043R	S043W	1
S045R	S045W	1
S046R	S046W	6
S050R	S050W	5
S076R	S076W	6
S077R	S077W	6
S095R	S095W	1
S096R	S096W	1

S048	FULL	FULL	FULL	S048
S049	FULL	FULL	S049	
S048	FULL	FULL	FULL	S048
S049	FULL	FULL	S049	
S048	FULL	FULL	FULL	S048
S049	FULL	FULL	S049	
S048	FULL	FULL	FULL	S048
S049	FULL	FULL	S049	
S048	FULL	FULL	FULL	S048
S049	FULL	FULL	S049	
S048	FULL	FULL	FULL	S048
S049	FULL	FULL	S049	
S048	FULL	FULL	FULL	S048
S052	S051	S051	S052	

### REAR REFRACTORY

RED	IVORY	QTY
FULL	FULL	28
(112140-02)	(112140-06)	
S048R	S048W	12
S049R	S049W	10
S051R	S051W	2
S052R	S052W	2

S046	FULL	S076	
S050	FULL	FULL	S077
S046	FULL	S076	
S050	FULL	FULL	S077
S046	FULL	S076	
S050	FULL	FULL	S077
S046	FULL	S076	
S050	FULL	FULL	S077
S046	FULL	S076	
S050	FULL	FULL	S077
S046	FULL	S076	
S054	S095	S045 or S096	S077

### RIGHT REFRACTORY

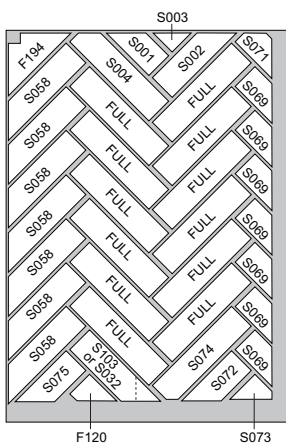
RED	IVORY	QTY
FULL	FULL	16
(112140-02)	(112140-06)	
S045R	S045W	1
S046R	S046W	6
S050R	S050W	5
S054R	S054W	1
S076R	S076W	6
S077R	S077W	6
S095R	S095W	1
S096R	S096W	1



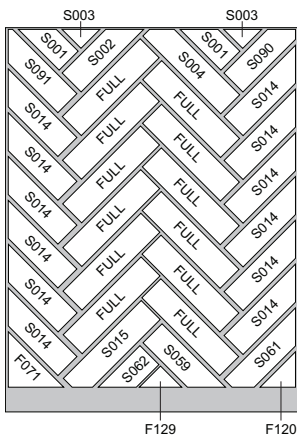
# BRICK INSTALLATION

Continued

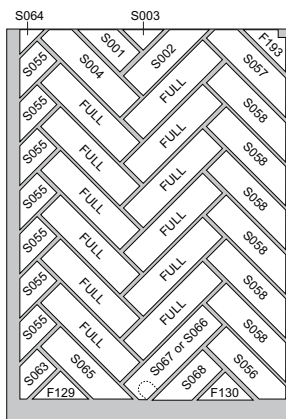
## 36" SPLIT HERRINGBONE BRICK MATRIX



LEFT REFRACTORY		
RED	IVORY	QTY
FULL	FULL	12
(112140-02)	(112140-06)	
S001R	S001W	1
S002R	S002W	1
S003R	S003W	1
S004R	S004W	1
S032R	S032W	1
S058R	S058W	7
S069R	S069W	7
S071R	S071W	1
S072R	S072W	1
S073R	S073W	1
S074R	S074W	1
S075R	S075W	1
S103R	S103W	1
F120R	F120W	1
F194R	F194W	1



REAR REFRACTORY		
RED	IVORY	QTY
FULL	FULL	12
(112140-02)	(112140-06)	
S001R	S001W	2
S002R	S002W	1
S003R	S003W	2
S004R	S004W	1
S014R	S014W	12
S015R	S015W	1
S059R	S059W	1
S061R	S061W	1
S062R	S062W	1
S090R	S090W	1
S091R	S091W	1
F071R	F071W	1
F120R	F120W	1
F129R	F129W	1



RIGHT REFRACTORY		
RED	IVORY	QTY
FULL	FULL	12
(112140-02)	(112140-06)	
S001R	S001W	1
S002R	S002W	1
S003R	S003W	1
S004R	S004W	1
S055R	S055W	7
S056R	S056W	1
S057R	S057W	1
S058R	S058W	6
S063R	S063W	1
S064R	S064W	1
S065R	S065W	1
S066R	S066W	1
S067R	S067W	1
S068R	S068W	1
F129R	F129W	1
F130R	F130W	1
F193R	F193W	1





# BRICK INSTALLATION

*Continued*

## GROUTING INSTRUCTIONS

Material provided:

1 or 2 - 10 lb. bags of cement (depending on model)

1 or 2 - 10 lb. bags of sand (depending on model)

Material required:

1 - Piping bag

1 - Joints striker

1 - Heavy duty mixing bucket

1 - Trowel

1. Moisten brick surface with damp sponge or spray bottle just prior to application. When bricks are wet, any excess grout mixture on bricks will easily wipe off.
2. In a heavy duty mixing bucket, pour seven (7) cups of water. Add 5 lbs. (half of a bag) of sand and 5 lbs. (half of a bag) of cement. Mix together well using a power drill with mixing wand attachment.
3. The overall length of piping bag should be about 16". If the bag is longer than 16", cut it down to size by removing end with larger opening. This will make the bag easier to handle.
4. Put 2 to 3 cups of grout mixture into piping bag making sure the smaller opening is downward and over a moist towel to avoid spilling. Place a wet towel over the bucket making sure it is directly on the surface of grout mixture. This will keep the mixture moist and it will not dry out before use.
5. Begin grouting by first doing a "Filler Pass". This is done by filling the joint about 3/4 full with grout mixture. It is important to work with only 6 bricks at a time so grout doesn't have time to set up before striking.
6. Complete a "Finishing Pass" around 6 bricks you just put filler pass around. This is done by slowly filling in remainder of the joint with a thick amount of grout mixture. Mixture should be a little higher than the brick surface.
7. Using a trowel, remove excess grout mixture by moving trowel in the direction of the joint. Grout mixture in the joint should now be flush with brick surface.

8. Using a joint striker, force grout mixture into joint and sweep back and forth until grout is smooth and round. If grout becomes too shallow, add more grout mixture with piping bag and strike again.
9. Continue procedure around each group of 6 bricks until an entire panel is finished.
10. Using trowel, scrape in direction of joints to remove any grout that may have collected around bricks during striking. If desired, take a moist sponge and lightly sweep over bricks to remove any grout that may have gotten on bricks. **DO NOT PRESS HARD OR RUB IN A CIRCULAR MOTION.** This will press the grout into brick and turn brick a different color.

**Allow 72 hours before operating fireplace.**



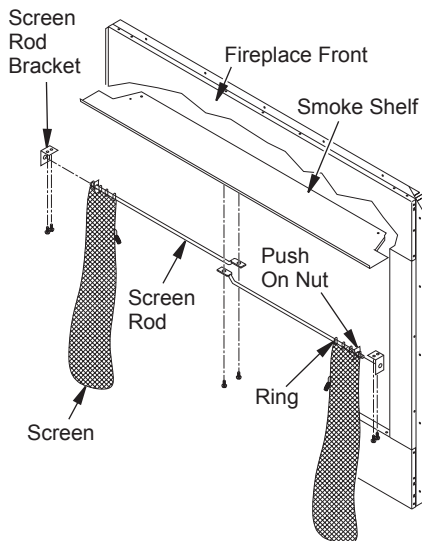
**Figure 25 - Grouting Brick**

# BRICK INSTALLATION

*Continued*

## INSTALLING FIREPLACE SCREEN

1. Mount screen rod brackets on left and right side of smoke shelf with #8 x 1/2" screws provided (see Figure 26).
2. Slide round end of screen rod into rings at top of screen. Attach one push-on nut to end of rod before attaching last ring of screen.
3. Insert round end of rod into rod bracket on left side of fireplace.
4. Mount flat end of screen rod with #10 x 5/8" to center of smoke shelf (see Figure 26).
5. Install other screen rod in same manner.



**Figure 26 - Installing Fireplace Screen**

## GLASS DOOR INSTALLATION

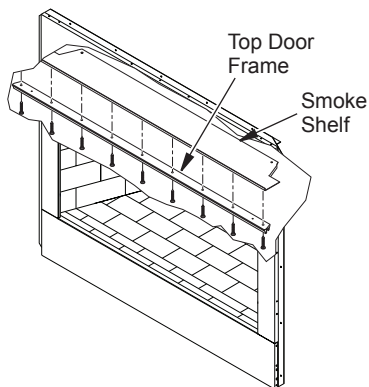
### DOOR FRAME MODELS

**BDMO36E/G/C, BDMO42E/G/C AND  
BDMO50E/G/C**

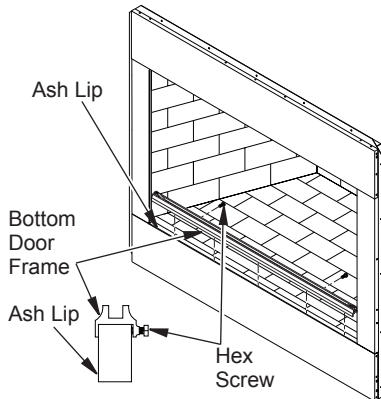
#### Installation

1. Remove screws from smoke shelf (see Figure 27).
2. Mount top door frame and secure with screws provided (see Figure 27).
3. Place bottom door frame on top of ash lip at front of fireplace (see Figure 28).

4. Using a 7/16" open end or adjustable wrench, secure bottom door frame to brick with two hex screws provided (see Figure 28).



**Figure 27 - Installing Top Door Frame**



**Figure 28 - Installing Bottom Door Frame**

# GLASS DOOR INSTALLATION

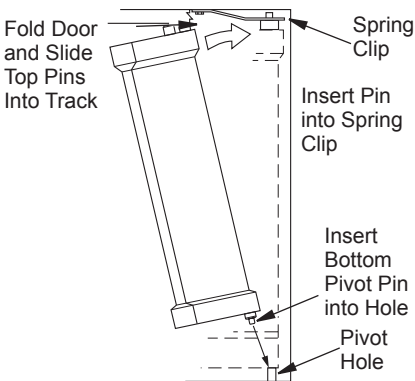
*Continued*

## INSTALLING GLASS DOORS

Spring clips have been installed. Some adjustments may be needed. Install doors using the following steps:

1. With bifold doors completely folded, insert bottom pivot pin into pivot hole located near bottom corner of front face opening and swing door to vertical position making sure top pins slide into door track. Door is installed when top door pin snaps into spring clip.
2. Repeat step 1 for remaining door.

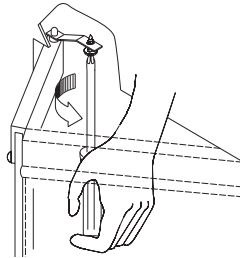
If you find the doors do not close properly or do not appear level or straight, proceed with section on door adjustment,



**Figure 29 - Installing Bi-Fold Doors**

## DOOR ADJUSTMENT

Remove doors and slightly loosen lower pivot clips and upper spring clips. Replace doors and fully close them. Use 1/8" shims (any material) to level doors. Once proper setting is achieved, carefully open doors enough so that you can access spring clips with a phillips screwdriver. Tighten screws. See Figure 30.



**Figure 30 - Adjusting Bi-Fold Doors**

## OPERATION AND MAINTENANCE GUIDELINES

### GLASS DOORS

Glass doors are optional with the fireplace. When fireplace is in operation, doors must be fully opened or fully closed position only or a fire hazard may be created (see Figure 31).

A fireplace equipped with glass doors operates much differently than a fireplace with an open front. A fireplace with glass doors has a limited amount of air for combustion.

Excessive heat within the fireplace can result if too large a fire is built or if combustion air gate is not completely open. The following tips should be followed to assure that both the fireplace and glass door retain their beauty and function properly. Both the flue damper and glass doors must be fully opened before starting fire. This will provide sufficient combustion air and maintain safe temperatures in firebox.

**IMPORTANT:** The glass must be allowed to warm slowly and evenly. The tempered glass will withstand a gradual temperature rise to 550° F, which is more than a normal fire will generate. Such materials as pitch/wax laden logs, very dry mill end lumber and large amounts of paper or cardboard boxes can create an excessively hot fire and should not be burned in this fireplace. Always keep the fire well back from the doors and never allow flames to contact the glass.

**⚠ WARNING:** Fireplaces equipped with glass doors should be operated only with doors fully opened or doors fully closed. Doors, if left partly open, may draw gas and flame out of the fireplace opening creating risks of both fire and smoke.

### Cleaning Glass

Clean glass with any commercial glass cleaner or soap and water. Do not use any abrasive material to clean glass. Do not clean glass with any cool water if glass is still hot from the fire and smoke.

A gas line or gas log lighter may be installed for the purpose of installing a vented or vent-free decorative gas appliance incorporating an automatic shutoff device and complying with the *Standard for Decorative Gas Appliances for Installation in Vented Fireplaces, ANSI Z21.60* or *American Gas Association draft requirements for Gas Fired Log Lighters for Wood Burning Fireplaces, Draft NO. 4* dated August, 1993.

If you wish to install an unvented (vent-free) gas log set, only unvented gas log sets which have been found to comply with the standard for unvented room heaters, ANSI Z21.11.2 are to be installed in this fireplace.

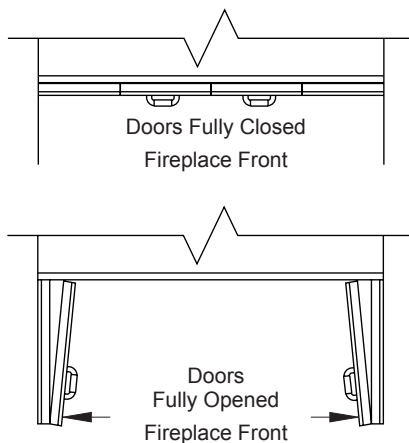


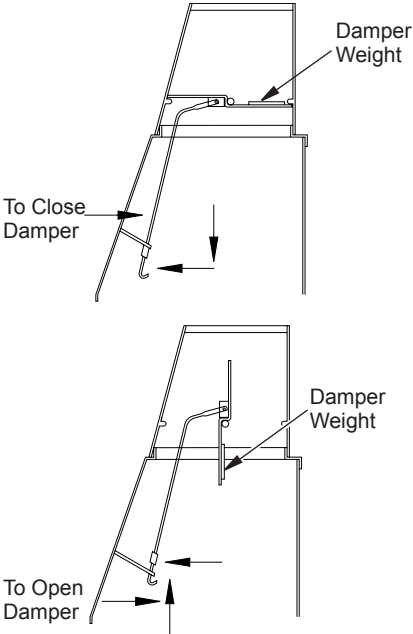
Figure 31 - Bi-Fold Glass Doors

# OPERATION AND MAINTENANCE GUIDELINES

*Continued*

## OUTSIDE AIR AND DAMPER HANDLE OPERATION

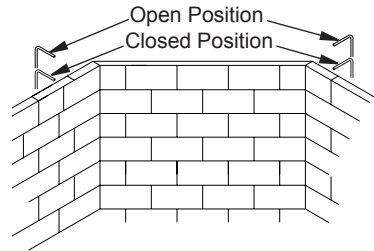
The damper handle, which opens and closes the damper blade, is located in the upper front face of the fireplace. Pushing the handle forward and up through the keyway slot will free damper blade to automatically open. Pushing the handle forward and down will lock damper blade closed (see Figure 32).



**Figure 32 - Operating Damper Handle**

The outside air kit lever is located at the left and right hand sides of fireplace (see Figure 33). Lifting lever up will free the outside air door to open. Pulling lever down will lock the door.

**⚠ WARNING: Risk of fire!**  
**Replace grate with DESA Heating, LLC grate only (see *Parts*, page 35). This grate has been designed to keep the operation of your fireplace safe and efficient.**



**Figure 33 - Outside Air Kit Lever**



## TECHNICAL SERVICE

You may have further questions about installation, operation, or troubleshooting. If so, contact DESA Heating, LLC at 1-866-672-6040.

When calling please have your model and serial numbers of your heater ready.

You can also visit DESA Heating, LLC's web site at [www.desatech.com](http://www.desatech.com).

## REPLACEMENT PARTS

*Note: Use only original replacement parts. This will protect your warranty coverage for parts replaced under warranty.*

### PARTS UNDER WARRANTY

Contact authorized dealers of this product. If they can't supply original replacement part(s), call DESA Heating, LLC at 1-866-672-6040.

When calling DESA Heating, LLC, have ready

- your name
- your address
- model and serial numbers of your firebox
- how firebox was malfunctioning
- type of gas used (propane/LP or natural gas)
- purchase date

Usually, we will ask you to return the part to the factory.

### PARTS NOT UNDER WARRANTY

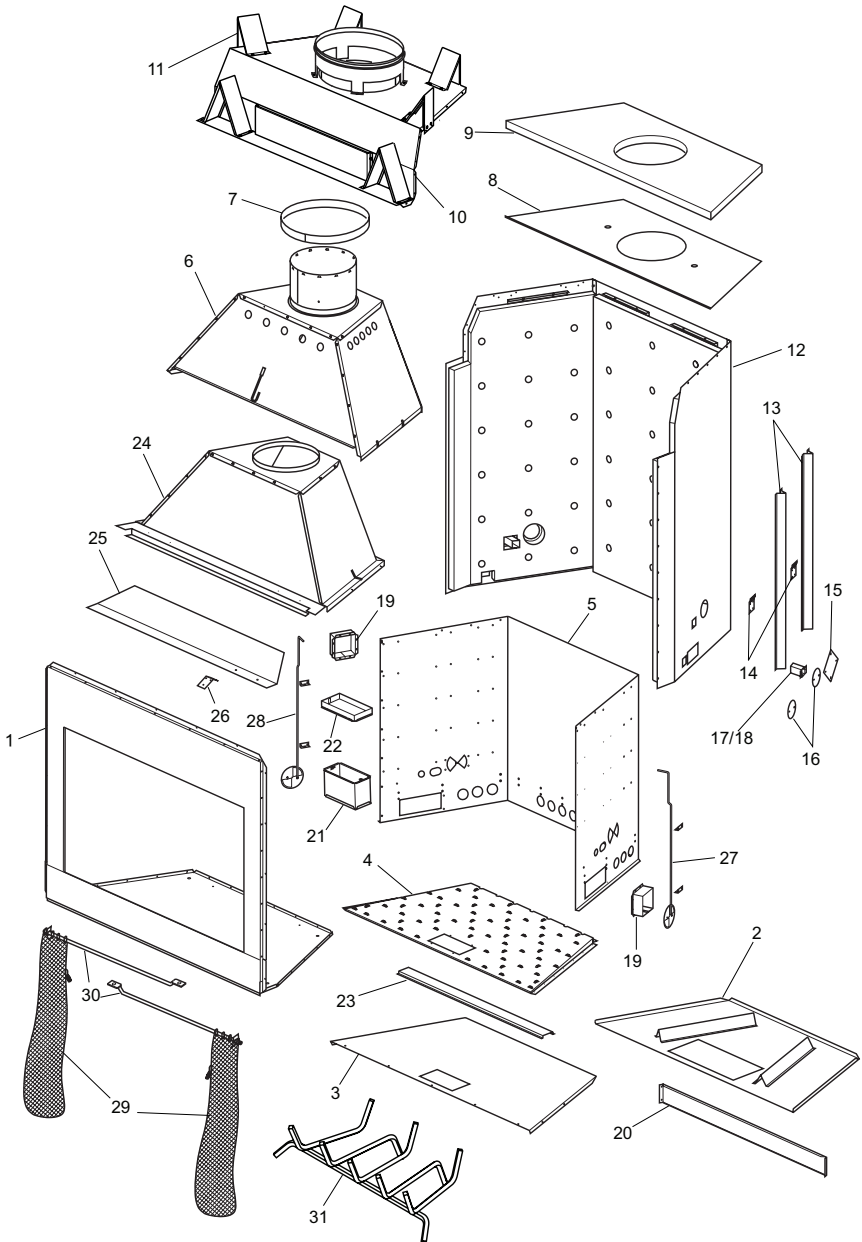
Contact authorized dealers of this product. If they can't supply original replacement part(s), call DESA Heating, LLC at 1-866-672-6040 for referral information. A list of authorized dealers can be found by visiting [www.desatech.com](http://www.desatech.com).

When calling DESA Heating, LLC, have ready

- model number of your firebox
- the replacement part number

# PARTS

MODELS (V)JM36(SR,SI,HR,HI), (V)JM42(SR,SI,HR,HI), (V)JM50(SR,SI,HR,HI),  
WCM-36J, WCM-42J, WCM-50J



## PARTS

This list contains replaceable parts used in your firebox. When ordering parts, follow the instructions listed under Replacement Parts on page 33 of this manual.

KEY NO.	PART NO.	DESCRIPTION	(VJM36, WCM-36J)			(VJM42, WCM-42J)			(VJM50, WCM-50J)			QTY.	
1	**	Face Assembly	•	•	•	•	•	•	•	•	•	1	
2	**	Firebox Bottom Assembly	•	•	•	•	•	•	•	•	•	1	
3	**	Firebox Bottom	•	•	•	•	•	•	•	•	•	1	
4	120827-01	Hearth Brick Panel, 36"	•									1	
	120827-02	Hearth Brick Panel, 42"		•								1	
	120827-03	Hearth Brick Panel, 50"			•							1	
5	**	Firebox Surround	•	•	•	•	•	•	•	•	•	1	
6	**	Outer Dome Assembly	•	•	•	•	•	•	•	•	•	1	
7	**	Insulation Pan Support	•	•	•	•	•	•	•	•	•	1	
8	**	Insulation Pan	•	•	•	•	•	•	•	•	•	1	
9	**	Top Insulation	•	•	•	•	•	•	•	•	•	1	
10	110285-03	Fireplace Top Assembly, 36"	•									1	
	110285-02	Fireplace Top Assembly, 42"		•								1	
	110285-01	Fireplace Top Assembly, 50"			•							1	
11	23490SA	Standoff	•	•	•	•	•	•	•	•	•	4	
12	**	Fireplace Surround Assembly	•	•	•	•	•	•	•	•	•	1	
13	109720-02	Clearance Spacer	•	•	•	•	•	•	•	•	•	6	
14	117891-01	Fireplace Handle Bracket	•	•	•	•	•	•	•	•	•	4	
15	20042	Outside Air Cover Plate	•	•	•	•	•	•	•	•	•	2	
16	21171	Gas Conduit Cover	•	•	•	•	•	•	•	•	•	4	
17	109752-01	Conduit One	•	•	•	•	•	•	•	•	•	2	
18	109752-02	Conduit Two	•	•	•	•	•	•	•	•	•	2	
19	109726-01	Air Duct	•	•	•	•	•	•	•	•	•	6	
20	**	Heat Shield Support	•	•	•	•	•	•	•	•	•	1	
21	**	Ash Box Assembly	•	•	•	•	•	•	•	•	•	1	
22	**	Ash Box Ring	•	•	•	•	•	•	•	•	•	1	
23	**	Hearth Support Brace	•	•	•	•	•	•	•	•	•	1	
24	**	Inner Dome Assembly	•	•	•	•	•	•	•	•	•	1	
25	**	Smoke Shield	•	•	•	•	•	•	•	•	•	1	
26	**	Damper Control Bracket	•	•	•	•	•	•	•	•	•	1	
27	**	Air Kit Door Assembly, Right	•	•	•	•	•	•	•	•	•	1	
28	**	Air Kit Door Assembly, Left	•	•	•	•	•	•	•	•	•	1	
29	117566-03	Screen	•									2	
	117566-01	Screen		•								2	
	117566-02	Screen			•							2	
30	117568-03	Screen Rod	•									2	
	117568-01	Screen Rod		•								2	
	117568-02	Screen Rod			•							2	
31	117544-03	Grate	•									1	
	117544-01	Grate		•								1	
	117544-02	Grate			•							1	
<b>PARTS AVAILABLE NOT SHOWN</b>													
	see page 36	Brick Panel Assemblies with Brick Housings (1 each, right, left, rear)	•	•	•	•	•	•	•	•	•	•	1

\*\* Not a field replaceable part.

## PARTS

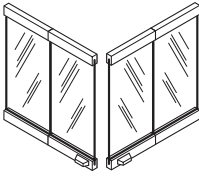
### MODELS (V)JM36(SR,SI,HR,HI), (V)JM42(SR,SI,HR,HI), (V)JM50(SR,SI,HR,HI)

This list contains replaceable parts used in your firebox. When ordering parts, follow the instructions listed under Replacement Parts on page 33 of this manual.

PART NO.	DESCRIPTION						QTY.
		(V)JM36S(R/I)	(V)JM36S(R/I)	(V)JM42H(R/I)	(V)JM42S(R/I)	(V)JM50H(R/I)	
122317-02	36" Full Stack Left Panel Assembly	•					1
122319-02	42" Full Stack Left Panel Assembly			•			1
122321-02	50" Full Stack Left Panel Assembly					•	1
122323-02	36" Full Herringbone Left Panel Assembly	•					1
122327-02	42" Full Herringbone Left Panel Assembly		•				1
122327-02	50" Full Herringbone Left Panel Assembly				•		1
122317-01	36" Full Stack Right Panel Assembly	•					1
122319-01	42" Full Stack Right Panel Assembly			•			1
122321-01	50" Full Stack Right Panel Assembly					•	1
122323-01	36" Full Herringbone Right Panel Assembly	•					1
122325-01	42" Full Herringbone Right Panel Assembly		•				1
122327-01	50" Full Herringbone Right Panel Assembly				•		1
122354-01	36" Full Stack Rear Panel Assembly	•					1
122354-02	42" Full Stack Rear Panel Assembly			•			1
122354-03	50" Full Stack Rear Panel Assembly					•	1
122356-01	36" Full Herringbone Rear Panel Assembly	•					1
122356-02	42" Full Herringbone Rear Panel Assembly		•				1
122356-03	50" Full Herringbone Rear Panel Assembly					•	1

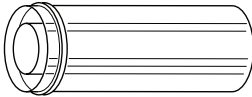
PART NO.	DESCRIPTION						QTY.
		MK-36SS-(R/I)	MK-36SH-(R/I)	MK-42SS-(R/I)	MK-42SH-(R/I)	MK-50SS-(R/I)	
120842-01	36" Split Stack Left Panel Assembly	•					1
120842-02	42" Split Stack Left Panel Assembly			•			1
120842-03	50" Split Stack Left Panel Assembly					•	1
120845-01	36" Split Herringbone Left Panel Assembly	•					1
120845-02	42" Split Herringbone Left Panel Assembly		•				1
120845-03	50" Split Herringbone Left Panel Assembly				•		1
120843-01	36" Split Stack Right Panel Assembly	•					1
120843-02	42" Split Stack Right Panel Assembly			•			1
120843-03	50" Split Stack Right Panel Assembly					•	1
120846-01	36" Split Herringbone Right Panel Assembly	•					1
120846-02	42" Split Herringbone Right Panel Assembly		•				1
120846-03	50" Split Herringbone Right Panel Assembly				•		1
120844-01	36" Split Stack Rear Panel Assembly	•					1
120844-02	42" Split Stack Rear Panel Assembly			•			1
120844-03	50" Split Stack Rear Panel Assembly					•	1
120847-01	36" Split Herringbone Rear Panel Assembly	•					1
120847-02	42" Split Herringbone Rear Panel Assembly		•				1
120847-03	50" Split Herringbone Rear Panel Assembly					•	1

## ACCESSORIES

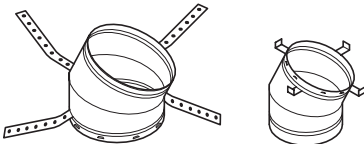


### BIFOLD GLASS MASONRY DOOR

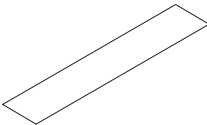
**BDMO36E** - 36" Ebony  
**BDMO36G** - 36" Pewter  
**BDMO36C** - 36" Oiled Bronze  
**BDMO42E** - 42" Ebony  
**BDMO42G** - 42" Pewter  
**BDMO42C** - 42" Oiled Bronze  
**BDMO50E** - 50" Ebony  
**BDMO50G** - 50" Pewter  
**BDMO50C** - 50" Oiled Bronze



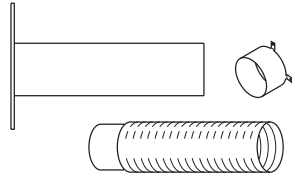
**DOUBLE WALL PIPE** - 12-12DM,  
 18-12DM, 24-12DM, 36-12DM, 48-12DM,  
 12-12HT, 18-12HT, 24-12HT, 36-12HT and  
 48-12HT



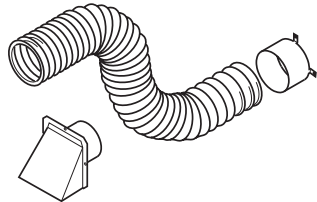
**30° OFFSET AND RETURN**  
**30E-12DM and 30E-12HT**



**EMBER PROTECTOR - 20093**



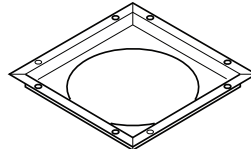
**OPTIONAL OUTSIDE AIR KIT FOR  
 FLOOR INSTALLATION - AK4F**



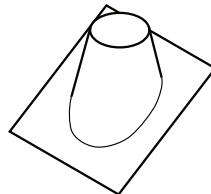
**OPTIONAL OUTSIDE AIR KIT FOR  
 SIDEWALL INSTALLATION - AK-4**



**STORM COLLAR - SC2-1**



**FIRESTOP SPACER - FS-10**  
**(1100EFS-10DM FOR 36" MODELS)**

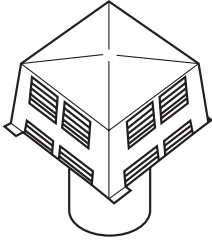


**ROOF FLASHING**

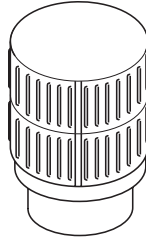
**V6F-10DM** - 0 to 6/12 Pitch  
**V12F-10DM** - 6/12 to 12/12 Pitch

## ACCESSORIES

*Continued*



**SQUARE CHASE-TOP  
TERMINATION - STL-12D**



**ROUND TOP TERMINATIONS  
RLT-12D AND RLT-12HT**





DESA Heating, LLC  
2701 Industrial Drive  
Bowling Green, KY 42101  
[www.desatech.com](http://www.desatech.com)  
1-866-672-6040



122273 01  
NOT A UPC

122273-01  
Rev. A  
11/07



## Free Manuals Download Website

<http://myh66.com>

<http://usermanuals.us>

<http://www.somanuals.com>

<http://www.4manuals.cc>

<http://www.manual-lib.com>

<http://www.404manual.com>

<http://www.luxmanual.com>

<http://aubethermostatmanual.com>

Golf course search by state

<http://golfingnear.com>

Email search by domain

<http://emailbydomain.com>

Auto manuals search

<http://auto.somanuals.com>

TV manuals search

<http://tv.somanuals.com>