

If you have questions or comments, contact us.
Pour toute question ou tout commentaire, nous contacter.
Si tiene dudas o comentarios, contáctenos.

1-800-4-DEWALT • www.dewalt.com

INSTRUCTION MANUAL
GUIDE D'UTILISATION
MANUAL DE INSTRUCCIONES

INSTRUCTIVO DE OPERACIÓN, CENTROS DE SERVICIO Y PÓLIZA
DE GARANTÍA. ADVERTENCIA: LEÁSE ESTE INSTRUCTIVO ANTES
DE USAR EL PRODUCTO.

DEWALT®

DW130V 1/2" (13mm) Spade Handle Drill VSR

Perceuse a poignée-bêche vsr DW130V de 13 mm (1/2")

DW130V Taladro reversible, con velocidad variable, con mango tipo pala,
de 13 mm (1/2 pulg.)

DeWALT Industrial Tool Co., 701 East Joppa Road, Baltimore, MD 21286
(AUG07) Form No. 654405-00 DW130V Copyright © 2002, 2004, 2007 DeWALT

The following are trademarks for one or more DeWALT power tools: the yellow and black color scheme; the "D" shaped air intake grill; the array of pyramids on the handgrip; the kit box configuration; and the array of lozenge-shaped humps on the surface of the tool.

Definitions: Safety Guidelines

The definitions below describe the level of severity for each signal word. Please read the manual and pay attention to these symbols.

▲ DANGER: Indicates an imminently hazardous situation which, if not avoided, will result in **death or serious injury**.

▲ WARNING: Indicates a potentially hazardous situation which, if not avoided, could result in **death or serious injury**.

▲ CAUTION: Indicates a potentially hazardous situation which, if not avoided, may result in **minor or moderate injury**.

CAUTION: Used without the safety alert symbol indicates a potentially hazardous situation which, if not avoided, may result in **property damage**.

IF YOU HAVE ANY QUESTIONS OR COMMENTS ABOUT THIS OR ANY DEWALT TOOL,
CALL US TOLL FREE AT: 1-800-4-DEWALT (1-800-433-9258)

General Safety Rules

▲ WARNING! Read all instructions. Failure to follow all instructions listed below may result in electric shock, fire and/or serious injury. The term "power tool" in all of the warnings listed below refers to your mains-operated (corded) power tool or battery-operated (cordless) power tool.

SAVE THESE INSTRUCTIONS

1) WORK AREA SAFETY

- Keep work area clean and well lit.** Cluttered or dark areas invite accidents.
- Do not operate power tools in explosive atmospheres, such as in the presence of flammable liquids, gases or dust.** Power tools create sparks which may ignite the dust or fumes.
- Keep children and bystanders away while operating a power tool.** Distractions can cause you to lose control.

2) ELECTRICAL SAFETY

- Power tool plugs must match the outlet. Never modify the plug in any way. Do not use any adapter plugs with earthed (grounded) power tools.** Unmodified plugs and matching outlets will reduce risk of electric shock
- Avoid body contact with earthed or grounded surfaces such as pipes, radiators, ranges and refrigerators.** There is an increased risk of electric shock if your body is earthed or grounded.
- Do not expose power tools to rain or wet conditions.** Water entering a power tool will increase the risk of electric shock
- Do not abuse the cord. Never use the cord for carrying, pulling or unplugging the power tool. Keep cord away from heat, oil, sharp edges or moving parts.** Damaged or entangled cords increase the risk of electric shock. Replace or repair damaged cords. Make sure your extension cord is in good condition. Use only 3-wire extension cords that have 3-prong grounding-type plugs and 3-pole receptacles that accept the tool's plug.
- When operating a power tool outdoors, use an extension cord suitable for outdoor use.** Use of a cord suitable for outdoor use reduces the risk of electric shock. When using an extension cord, be sure to use one heavy enough to carry the current your product will draw. An undersized cord will cause a drop in line voltage resulting in loss of power and overheating. The following table shows the correct size to use depending on cord length and nameplate ampere rating. If in doubt, use the next heavier gauge. The smaller the gauge number, the heavier the cord.

Volts	Minimum Gauge for Cord Sets				
	Total Length of Cord in Feet				
120V	0-25	26-50	51-100	101-150	
240V	0-50	51-100	101-200	201-300	
Ampere Rating		AWG			
More Than	Not more Than				
0	- 6	18	16	16	14
6	- 10	18	16	14	12
10	- 12	16	16	14	12
12	- 16	14	12	Not Recommended	

3) PERSONAL SAFETY

- Stay alert, watch what you are doing and use common sense when operating a power tool. Do not use a power tool while you are tired or under the influence of drugs, alcohol or medication.** A moment of inattention while operating power tools may result in serious personal injury.
- Use safety equipment. Always wear eye protection.** Safety equipment such as dust mask, non-skid safety shoes, hard hat, or hearing protection used for appropriate conditions will reduce personal injuries.
- Avoid accidental starting. Ensure the switch is in the off-position before plugging in.** Carrying power tools with your finger on the switch or plugging in power tools that have the switch on invites accidents.
- Remove any adjusting key or wrench before turning the power tool on.** A wrench or a key left attached to a rotating part of the power tool may result in personal injury.
- Do not overreach. Keep proper footing and balance at all times.** This enables better control of the power tool in unexpected situations.
- Dress properly. Do not wear loose clothing or jewellery. Keep your hair, clothing and gloves away from moving parts.** Loose clothes, jewellery or long hair can be caught in moving parts. Air vents often cover moving parts and should also be avoided.
- If devices are provided for the connection of dust extraction and collection facilities, ensure these are connected and properly used.** Use of these devices can reduce dust-related hazards.

4) POWER TOOL USE AND CARE

- Do not force the power tool. Use the correct power tool for your application.** The correct power tool will do the job better and safer at the rate for which it was designed.
- Do not use the power tool if the switch does not turn it on and off.** Any power tool that cannot be controlled with the switch is dangerous and must be repaired.
- Disconnect the plug from the power source and/or the battery pack from the power tool before making any adjustments, changing accessories, or storing power tools.** Such preventive safety measures reduce the risk of starting the power tool accidentally.
- Store idle power tools out of the reach of children and do not allow persons unfamiliar with the power tool or these instructions to operate the power tool.** Power tools are dangerous in the hands of untrained users.
- Maintain power tools. Check for misalignment or binding of moving parts, breakage of parts and any other condition that may affect the power tools operation. If damaged, have the power tool repaired before use.** Many accidents are caused by poorly maintained power tools.
- Keep cutting tools sharp and clean.** Properly maintained cutting tools with sharp cutting edges are less likely to bind and are easier to control.
- Use the power tool, accessories and tool bits etc., in accordance with these instructions and in the manner intended for the particular type of power tool, taking into account the working conditions and the work to be performed.** Use of the power tool for operations different from those intended could result in a hazardous situation.

5) SERVICE

- Have your power tool serviced by a qualified repair person using only identical replacement parts.** This will ensure that the safety of the power tool is maintained.

Additional Safety Instructions

- Use auxiliary handles supplied with the tool.** Loss of control can cause personal injury.
- Hold power tools by insulated gripping surfaces when performing an operation where the cutting tool may contact hidden wiring or its own cord.** Contact with a "live" wire will make exposed metal parts of the tool "live" and shock the operator.
- Accessories must be rated for at least the speed recommended on the tool warning label.** Wheels and other accessories running over rated speed can fly apart and cause injury. Accessory ratings must be above listed minimum wheel speed as shown on tool nameplate.
- Wear safety goggles or other eye protection.** Hammering and drilling operations cause chips to fly. Flying particles can cause permanent eye damage.
- Keep handles dry, clean, free from oil and grease. It is recommended to use rubber gloves.** This will enable better control of the tool.
- Do not overreach while operating the tool.** Maintain a balanced working stance at all times. When necessary, use only properly positioned, safe, platforms and scaffolding. WORK SAFE.
- Do not operate this tool for long periods of time.** Vibration caused by the operating action of this tool may cause permanent injury to fingers, hands, and arms. Use gloves to provide extra cushion, take frequent rest periods, and limit daily time of use.

▲ WARNING: ALWAYS use safety glasses. Everyday eyeglasses are NOT safety glasses. Also use face or dust mask if cutting operation is dusty. ALWAYS WEAR CERTIFIED SAFETY EQUIPMENT:

- ANSI Z87.1 eye protection (CAN/CSA Z94.3),
- ANSI S12.6 (S3.19) hearing protection,
- NIOSH/OSHA/MSHA respiratory protection.

▲ WARNING: Some dust created by power sanding, sawing, grinding, drilling, and other construction activities contains chemicals known to cause cancer, birth defects or other reproductive harm. Some examples of these chemicals are:

- lead from lead-based paints,
- crystalline silica from bricks and cement and other masonry products, and
- arsenic and chromium from chemically-treated lumber (CCA).

Your risk from these exposures varies, depending on how often you do this type of work. To reduce your exposure to these chemicals: work in a well ventilated area, and work with approved safety equipment, such as those dust masks that are specially designed to filter out microscopic particles.

- Avoid prolonged contact with dust from power sanding, sawing, grinding, drilling, and other construction activities.** Wear protective clothing and wash exposed areas with soap and water. Allowing dust to get into your mouth, eyes, or lay on the skin may promote absorption of harmful chemicals.

▲ WARNING: Use of this tool can generate and/or disburse dust, which may cause serious and permanent respiratory or other injury. Always use NIOSH/OSHA approved respiratory protection appropriate for the dust exposure. Direct particles away from face and body.

▲ WARNING: Always wear proper personal hearing protection that conforms to ANSI S12.6 (S3.19) during use. Under some conditions and duration of use, noise from this product may contribute to hearing loss.

▲ WARNING: Always use eye protection. All users and bystanders must wear eye protection that conforms to ANSI Z87.1.

- The label on your tool may include the following symbols. The symbols and their definitions are as follows:

V..... volts	A..... amperes
Hz..... hertz	W..... watts
min minutes	~ alternating current
— — — direct current	n _o no load speed
Ⓛ Class I Construction (grounded)	Ⓧ earthing terminal
	▲ safety alert symbol

FIG. 1

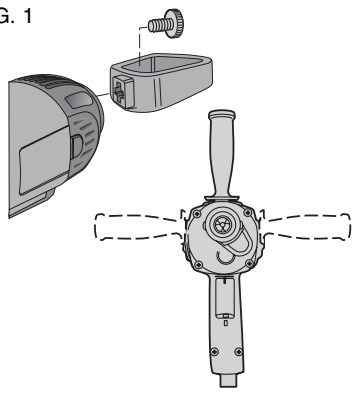


FIG. 2

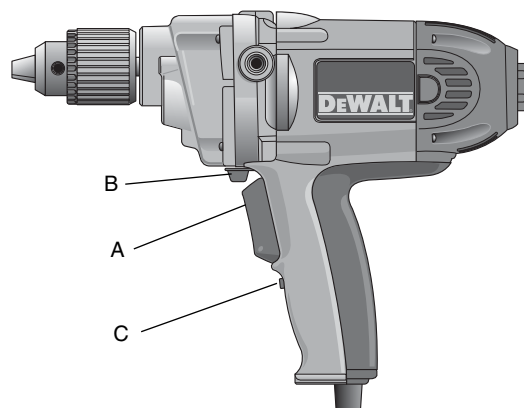


FIG. 3

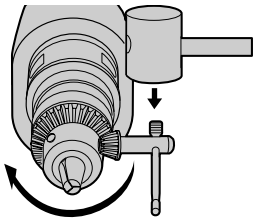
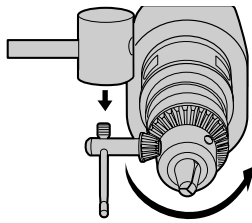


FIG. 4



□ Class II Construction/min..... revolutions or reciprocation
(double insulated) (double insulated)
BPM..... beats per minute per minute

SAVE THESE INSTRUCTIONS

Motor

Your DeWALT tool is powered by a DeWALT built motor. Be sure your power supply agrees with the nameplate marking. Voltage decrease of more than 10% will cause loss of power and overheating. All DeWALT tools are factory tested; if this tool does not operate, check the power supply.

Spade Handle Assembly (Fig. 1)

This spade handle can be attached either horizontally or vertically. Place the handle into the locating boss on the back of the drill and assemble with holding knob.

Side Handle (Fig. 1)

WARNING: To reduce the risk of personal injury, **ALWAYS** operate the tool with the side handle properly installed. Failure to do so may result in the side handle slipping during tool operation and subsequent loss of control. Hold tool with both hands to maximize control.

The side handle can be placed in either side of the drill or the top of the drill according to operator preference and available working clearance. The spade handle can be temporarily removed if working clearance at rear of tool is limited. Always replace spade handle when possible.

Switch (Fig. 2)

To start the drill, depress the trigger switch; to stop the drill, release the trigger.

A variable speed trigger switch (A) permits speed control—the farther the trigger is depressed, the higher the speed of the drill.

NOTE: Use lower speeds for starting holes without a center punch, drilling in metal or plastics, driving screws or drilling ceramics. Higher speeds are better for drilling wood and composition boards and using abrasive and polishing accessories.

The reversing lever (B) is used for withdrawing bits from tight holes and removing screws. It is located above the trigger switch. To reverse the motor, release the trigger switch **FIRST** and then push the lever to the right. After any reversing operations, return lever to forward position.

The locking feature (C) is for use when the drill is mounted in a drill stand or otherwise firmly held... **NOT BY HAND.**

Do not lock the switch "ON" when drilling by hand so that you can instantly release the trigger switch if the bit binds in the hole.

Be sure to release the switch locking button before disconnecting the plug from the power supply. Failure to do so will cause the tool to start immediately the next time it is plugged in. Damage or injury could result.

Chuck

To insert bit, open chuck jaws by turning collar with fingers and insert shank of bit about 3/4" (19mm) into chuck. Tighten chuck collar by hand. Place chuck key in each of the three holes and tighten in clockwise direction. It's important to tighten chuck with all three holes.

To release bit, turn chuck key counterclockwise in just one hole, then loosen the chuck by hand.

Chuck Removal (Fig. 3, 4)

- Place chuck key in chuck as shown in Figure 3. Using a wooden mallet or similar object, strike key sharply in a **CLOCKWISE** direction. This will loosen screw inside chuck.
- Open chuck jaws fully. Insert screwdriver into front of chuck between jaws to engage screw head. Remove screw by turning clockwise (left-hand thread).
- Place key in chuck as shown in Figure 4. Using a wooden mallet or similar object, strike key sharply in a **COUNTERCLOCKWISE** direction. This will loosen chuck so that it can be unscrewed by hand.

Drilling

- Use sharp drill bits only. For **WOOD**, use twist drill bits, spade bits, power auger bits, or hole saws. For **METAL**, use high-speed steel twist drill bits or hole saws. For **MASONRY**, such as brick, cement, cinder block etc., use carbide-tipped bits.
- Be sure the material to be drilled is anchored or clamped firmly. If drilling thin material, use a wood "back-up" block to prevent damage to the material.
- Always apply pressure in a straight line with the bit. Use enough pressure to keep drill biting, but do not push hard enough to stall the motor or deflect the bit.
- Hold drill firmly to control the twisting action of the drill. Use side handle.

CAUTION: Drill may stall if overloaded causing a sudden twist. Always expect the stall. Grip the drill firmly to control the twisting action and avoid injury.

5. **IF DRILL STALLS**, it is usually because it is being overloaded or improperly used. **RELEASE TRIGGER IMMEDIATELY**, remove drill bit from work, and determine cause of stalling. **DO NOT CLICK TRIGGER OFF AND ON IN AN ATTEMPT TO START A STALLED DRILL — THIS CAN DAMAGE THE DRILL.**

- To minimize stalling on breaking through the material, reduce pressure on drill and ease the bit through the last fractional part of the hole.
- Keep the motor running when pulling the bit back out of a drilled hole. This will help prevent jamming.

DRILLING IN WOOD

Holes in wood can be made with the same twist drills used for metal. These bits may overheat unless pulled out frequently to clear chips from the flutes. For larger holes, use spade bits, power auger bits, or hole saws. Work that is likely to splinter should be backed up with a block of wood.

DRILLING IN METALS

Use a cutting lubricant when drilling metals. The exceptions are cast iron and brass which should be drilled dry. The cutting lubricants that work best are sulphurised cutting oil or lard oil; bacon grease will also serve the purpose.

DRILLING IN MASONRY

Use carbide tipped masonry bits at low speeds. Keep even force on the drill but not so much that you crack the brittle materials. A smooth, even flow of dust indicates the proper drilling rate.

MAINTENANCE

WARNING: To reduce the risk of serious personal injury, turn tool off and disconnect tool from power source before making any adjustments or removing/installing attachments or accessories.

Cleaning

WARNING: Never use solvents or other harsh chemicals for cleaning the non-metallic parts of the tool. These chemicals may weaken the plastic materials used in these parts. Use a cloth dampened only with water and mild soap. Never let any liquid get inside the tool; never immerse any part of the tool into a liquid.

Lubrication

All bearings used are factory lubricated to last the life of the tool. All needle bearings used receive their lubrication from the grease in the gear case. Clean and relubricate gear case yearly or whenever servicing requires the gear case to be removed. Use type and quantity of grease shown on Parts Bulletin packed with your tool.

Gear case is removed by removing the four screws from the front of the tool. If the chuck is too large to permit removal of the two top screws, see instructions for chuck removal.

Motor Brushes

This DeWALT tool uses an advanced brush system which automatically stops the tool when the brushes wear out. This prevents serious damage to the motor.

Accessories

WARNING: Since accessories, other than those offered by DeWALT, have not been tested with this product, use of such accessories with this tool could be hazardous. To reduce the risk of injury, only DeWALT, recommended accessories should be used with this product.

Recommended accessories for use with your tool are available at extra cost from your local dealer or authorized service center. If you need assistance in locating any accessory, please contact DeWALT Industrial Tool Co., 701 East Joppa Road, Baltimore, MD 21286, call 1-800-4-DeWALT (1-800-433-9258) or visit our website www.dewalt.com.

For safety in use, the following accessories should be used only in sizes up to the maximums shown in the table below.

MAXIMUM RECOMMENDED CAPACITIES

Drill Capacity	1/2"	13mm
RPM	0-550	
Steel twist bit	1/2"	13 mm
Auger	1-1/2"	38 mm
Self-feed	3"	76 mm
Spade	1-1/2"	38 mm
Wood holesaw	5"	127 mm
Steel holesaw	4"	102 mm

ACCESSORY MUST BE RATED FOR USE AT SPEED EQUAL TO OR HIGHER THAN NAMEPLATE RPM OF TOOL WITH WHICH IT IS BEING USED.

Repairs

To assure product **SAFETY** and **RELIABILITY**, repairs, maintenance and adjustment (including brush inspection and replacement) should be performed by authorized service centers or other qualified service organizations, always using identical replacement parts.

Three Year Limited Warranty

DeWALT will repair, without charge, any defects due to faulty materials or workmanship for three years from the date of purchase. This warranty does not cover part failure due to normal wear or tool abuse. For further detail of warranty coverage and warranty repair information, visit www.dewalt.com or call 1-800-4-DeWALT (1-800-433-9258). This warranty does not apply to accessories or damage caused where repairs have been made or attempted by others. This warranty gives you specific legal rights and you may have other rights which vary in certain states or provinces.

In addition to the warranty, DeWALT tools are covered by our:

1 YEAR FREE SERVICE

DeWALT will maintain the tool and replace worn parts caused by normal use, for free, any time during the first year after purchase.

90 DAY MONEY BACK GUARANTEE

If you are not completely satisfied with the performance of your DeWALT Power Tool, Laser, or Nailer for any reason, you can return it within 90 days from the date of purchase with a receipt for a full refund — no questions asked.

LATIN AMERICA: This warranty does not apply to products sold in Latin America. For products sold in Latin America, see country specific warranty information contained either in the packaging, call the local company or see website for warranty information.

FREE WARNING LABEL REPLACEMENT: If your warning labels become illegible or are missing, call 1-800-4-DeWALT for a free replacement.



Définitions : lignes directrices en matière de sécurité

Les définitions ci-dessous décrivent le niveau de danger pour chaque mot-indicateur employé. Veuillez lire le mode d'emploi et porter une attention particulière à ces symboles.

▲DANGER : indique une situation dangereuse imminente qui, si elle n'est pas évitée, causera la mort ou des blessures graves.

▲AVERTISSEMENT : indique une situation potentiellement dangereuse qui, si elle n'est pas évitée, pourrait se solder par un décès ou des blessures graves.

▲MISE EN GARDE : indique une situation potentiellement dangereuse qui, si elle n'est pas évitée pourrait se solder par des blessures mineures ou modérées.

MISE EN GARDE : utilisé sans le symbole d'alerte à la sécurité, indique une situation potentiellement dangereuse qui, si elle n'est pas évitée pourrait se solder par des dommages à la propriété.

Règles générales de sécurité

AVERTISSEMENT : Lire toutes ces directives. Tout manquement aux directives suivantes pose des risques de choc électrique, d'incendie et/ou de blessure grave. Le terme « outil électrique » dans tous les avertissements ci-après se rapporte à votre outil électrique à alimentation sur secteur (avec fil) ou par piles (sans fil).

CONSERVER CES DIRECTIVES

1) SÉCURITÉ - AIRE DE TRAVAIL

- Maintenir l'aire de travail propre et bien éclairée.** Les lieux encombrés ou sombres sont propices aux accidents.
- Ne pas faire fonctionner un outil électrique dans une atmosphère explosive, en présence par exemple de poussières, gaz ou liquides inflammables.** Les outils électriques peuvent engendrer des étincelles qui pourraient enflammer toute émanation ou poussière ambiante.
- Tenir les enfants, ou toute autre personne, éloignés pendant l'utilisation d'un outil électrique.** Toute distraction pourrait vous faire perdre la maîtrise de ce dernier.

2) SÉCURITÉ – ÉLECTRICITÉ

- La fiche électrique de l'outil doit correspondre à la prise murale. Ne jamais modifier la fiche en aucune façon. Ne jamais utiliser de fiche d'adaptation avec un outil électrique mis à la terre.** L'utilisation de fiches d'origine et de prises appropriées réduira les risques de choc électrique.
- Éviter tout contact corporel avec des éléments mis à la terre comme tuyaux, radiateurs, cuisinières ou réfrigérateurs.** Les risques de choc électrique augmentent lorsque le corps est mis à la terre.
- Ne pas exposer les outils électriques à la pluie ou à l'humidité.** Toute pénétration d'un outil électrique par un liquide augmente les risques de choc électrique.
- Ne pas utiliser le cordon de façon abusive. Ne jamais utiliser le cordon pour transporter, tirer ou débrancher un outil électrique. Protéger le cordon de la chaleur, de l'huile et de tout bord tranchant ou pièce mobile.** Les cordons endommagés ou emmêlés augmentent les risques de choc électrique. Remplacer ou faire réparer tout cordon endommagé. S'assurer que la rallonge est en bon état. N'utiliser que des rallonges trifilaires munies de fiches tripolaires et des prises tripolaires acceptant la fiche de l'outil.
- Lors de l'utilisation d'un outil électrique à l'extérieur, n'utiliser que des rallonges conçues pour l'extérieur.** L'utilisation d'une rallonge conçue pour l'extérieur réduit les risques de choc électrique. En cas d'utilisation d'une rallonge, s'assurer que les valeurs nominales de la rallonge utilisée correspondent bien à celles de l'outil alimenté. L'usage d'une rallonge de calibre insuffisant causera une chute de tension entraînant perte de puissance et surchauffe. Le tableau ci-dessous illustre les calibres à utiliser selon la longueur de rallonge et l'intensité nominale indiquée sur la plaque signalétique. En cas de doutes, utiliser le calibre suivant. Plus le calibre est petit, plus la rallonge peut supporter de courant.

Volts	Calibre minimum pour une rallonge				
	Longueur totale de la rallonge en pieds				
120 V	0-25	26-50	51-100	101-150	
240 V	0-50	51-100	101-200	201-300	
Intensité nominale		AWG			
Plus de	Pas plus de				
0	- 6	18	16	16	14
6	- 10	18	16	14	12
10	- 12	16	16	14	12
12	- 16	14	12	Non recommandé	

3) SÉCURITÉ PERSONNELLE

- Rester vigilant en tout temps et faire preuve de jugement pendant l'utilisation d'un outil électrique. Ne pas utiliser d'outil électrique en cas de fatigue ou sous l'influence de drogues, d'alcool ou de médicaments.** Tout moment d'inattention pendant l'utilisation d'un outil électrique pose des risques de blessure grave.
- Utiliser le matériel de sécurité approprié. Toujours porter des lunettes de protection.** Le fait de porter un masque anti-poussières, des chaussures antidérapantes, un casque de sécurité ou des protecteurs auditifs lorsque la situation le requiert réduira les risques de blessure.
- Éviter tout démarrage accidentel. S'assurer que l'interrupteur est en position d'arrêt avant tout branchement.** Transporter un outil le doigt sur l'interrupteur ou brancher un outil électrique alors que l'interrupteur est en position de marche invite les accidents.
- Retirer toute clé de réglage avant de démarrer l'outil.** Une clé laissée sur une pièce rotative d'un outil électrique pose des risques de blessure.
- Ne pas effectuer de travaux hors de portée. Les pieds doivent rester bien ancrés au sol afin de maintenir son équilibre en tout temps.** Cela permet de mieux maîtriser l'outil électrique dans les situations imprévues.
- Porter des vêtements appropriés. Ne pas porter de vêtements amples ni de bijoux. Maintenir cheveux, vêtements et gants éloignés des pièces mobiles.** Vêtements amples, bijoux ou cheveux longs risquent de rester coincés dans ces pièces mobiles. Prendre des précautions autour des événements car ils recouvrent des pièces mobiles.
- Lorsque un dispositif de connexion à un système de dépoussiérage ou d'élimination est fourni, s'assurer qu'il est connecté et utilisé correctement.** L'utilisation de ces dispositifs peut réduire les risques engendrés par les poussières.

4) UTILISATION ET ENTRETIEN DES OUTILS ÉLECTRIQUES

- Ne pas forcer un outil électrique. Utiliser l'outil approprié au travail en cours.** L'outil approprié effectuera un meilleur travail, de façon plus sûre et à la vitesse pour laquelle il a été conçu.
- Ne pas utiliser un outil électrique dont l'interrupteur est défectueux.** Tout appareil dont l'interrupteur est défectueux est dangereux et doit être réparé.
- Débrancher la fiche du secteur et/ou le bloc-piles de l'outil électrique avant de faire tout réglage ou changement d'accessoire, ou avant de ranger ce dernier.** Ces mesures préventives réduisent les risques de démarrage accidentel de l'appareil.
- Après usage, ranger les outils électriques hors de la portée des enfants, et ne permettre à aucune personne n'étant pas familière avec un outil électrique (ou son manuel d'instruction) d'utiliser ce dernier.** Les outils peuvent être dangereux entre les mains des novices.
- Entretenir les outils électriques. Vérifier les pièces mobiles pour s'assurer qu'elles sont bien alignées et tournent librement, qu'elles sont en bon état et ne sont affectées d'aucune condition susceptible de nuire au bon fonctionnement de l'outil. En cas de dommage, faire réparer l'outil électrique avant toute nouvelle utilisation.** Bien des accidents sont causés par des outils mal entretenus.
- Maintenir tout outil de coupe bien aiguisé et propre.** Les outils de coupe bien entretenus et affûtés sont moins susceptibles de se coincer et sont plus faciles à contrôler.
- Utiliser un outil électrique, ses accessoires, mèches, etc., conformément aux présentes directives et suivant la manière prévue pour ce type particulier d'outil électrique, en tenant compte des conditions de travail et du travail à effectuer.** L'utilisation d'un outil électrique pour toute opération autre que celle pour laquelle il a été conçu est dangereuse.

5) RÉPARATION

- Faire entretenir les outils électriques par un réparateur qualifié en n'utilisant que des pièces de rechange identiques.** Cela permettra d'assurer l'intégrité de l'outil électrique et la sécurité de l'utilisateur.

Règles de sécurité additionnelles

- Utiliser les poignées auxiliaires fournies avec l'outil.** Une perte de maîtrise de l'outil peut entraîner des blessures corporelles.
- Tenir l'outil par sa surface de prise isolée dans une situation où l'outil de coupe peut entrer en contact avec un câblage caché ou avec son propre cordon d'alimentation.**

Tout contact avec un fil « sous tension » mettra « sous tension » les pièces métalliques exposées de l'outil et provoquera un choc électrique chez l'opérateur de l'outil.

- La vitesse des accessoires doit correspondre à la vitesse minimale recommandée indiquée sur l'étiquette d'avertissement de l'outil, car les meules et les accessoires qui sont réglés à une vitesse trop élevée peuvent se briser et occasionner des blessures lorsque des fragments de métal sont projetés.** S'assurer que l'intensité nominale des accessoires utilisés est supérieure à la vitesse minimum des meules indiquée sur la plaque signalétique.
- Porter des lunettes de sécurité ou une autre protection oculaire.** Le martelage et la perforation peuvent projeter des fragments. Les particules projetées peuvent endommager les yeux irrémédiablement.
- Maintenir les poignées sèches, propres, exemptes d'huile et de graisse. On recommande d'utiliser des gants de caoutchouc.** Cela permet de mieux maîtriser l'outil.
- Ne pas dépasser sa portée avec l'outil en fonctionnement.** Toujours demeurer dans une position stable et garder son équilibre. Au besoin, utiliser des plateformes et échafaudages bien installés et sécuritaires. TRAVAILLER EN TOUTE SÉCURITÉ.
- Ne pas faire fonctionner cet outil durant de longues périodes.** Les vibrations causées par le fonctionnement de cet outil peuvent provoquer des blessures permanentes aux doigts, aux mains et aux bras. Utiliser des gants pour amortir davantage les vibrations, prendre de fréquentes périodes de repos et limiter la durée quotidienne d'utilisation.

AVERTISSEMENT : TOUJOURS porter des lunettes de sécurité. Les lunettes de vue ne constituent PAS des lunettes de sécurité. Utiliser également un masque facial ou anti-poussière si l'opération de découpe génère de la poussière. TOUJOURS PORTER UN ÉQUIPEMENT DE PROTECTION HOMOLOGUÉ :

- protection oculaire conforme à la norme ANSI Z87.1 (CAN/CSA Z94.3),
- protection auditive conforme à la norme ANSI S12.6 (S3.19) et
- protection des voies respiratoires conformes aux normes NIOSH/OSHA/MSHA.

AVERTISSEMENT : Certains outils, tels que les sableuses électriques, les scies, les meules, les perceuses ou certains autres outils de construction, peuvent soulever de la poussière contenant des produits chimiques susceptibles d'entraîner le cancer, des malformations congénitales ou pouvant être nocifs pour le système reproductif. Parmi ces produits chimiques, on retrouve :

- le plomb dans les peintures à base de plomb;
- la silice cristalline dans les briques et le ciment et autres produits de maçonnerie;
- l'arsenic et le chrome dans le bois de sciage ayant subi un traitement chimique (CCA).

Le risque associé à de telles expositions peut varier selon la fréquence avec laquelle on effectue ces travaux. Pour réduire l'exposition à de tels produits, il faut travailler dans un endroit bien ventilé et utiliser l'équipement de sécurité approprié tel un masque anti-poussières spécialement conçu pour filtrer les particules microscopiques.

- Éviter tout contact prolongé avec la poussière soulevée par cet outil ou autres outils électriques.** Porter des vêtements de protection et nettoyer les parties exposées du corps avec de l'eau savonneuse. S'assurer de bien se protéger afin d'éviter d'absorber par la bouche, les yeux ou la peau des produits chimiques nocifs.

AVERTISSEMENT : Cet outil peut produire et répandre de la poussière susceptible de causer des dommages sérieux et permanents au système respiratoire. Toujours utiliser un appareil respiratoire anti-poussières approprié approuvé par le NIOSH ou l'OSHA. Diriger les particules dans le sens opposé du visage et du corps.

AVERTISSEMENT : TOUJOURS porter une protection auditive appropriée conformément à la norme ANSI S12.6 (S3.19) lors de l'utilisation du produit. Dans certaines conditions et selon la durée d'utilisation, le bruit émis par ce produit peut contribuer à une perte auditive.

AVERTISSEMENT : toujours utiliser une protection oculaire. Tous les utilisateurs et personnes à proximité doivent porter une protection oculaire conforme à la norme ANSI Z87.1.

- L'étiquette apposée sur l'outil peut afficher les symboles suivants. Ces symboles et leurs définitions sont les suivants :

V.....volts	A.....ampères
Hz.....hertz	W.....watts
min.....minutes	~courant alternatif
— — —courant continu	n_0vitesse à vide
ⓁConstruction de classe I (mis à la terre)	Ⓧborne de terre
ⓂConstruction de classe II (à double isolation)	⚠symbole d'alerte à la sécurité
BPM.....coups par minute	.../min.....rotations ou alternance par minute

CONSERVER CES MESURES

Moteur

Un moteur DEWALT actionne l'outil DEWALT. Veiller à ce que la tension d'alimentation soit conforme aux exigences de la plaque signalétique de l'outil. Une baisse de tension de plus de 10 p. 100 entraîne une perte de puissance et la surchauffe. Tous les outils DEWALT sont essayés avant de quitter l'usine. Lorsque celui-ci refuse de fonctionner, vérifier la source de courant électrique.

Installation de la poignée-bêche (Fig. 1)

La poignée-bêche peut être fixée horizontalement ou verticalement. Installer la poignée sur le bossage au dos de la perceuse et la fixer à l'aide des boutons de fixation.

Poignée latérale (Fig. 1)

AVERTISSEMENT : pour réduire le risque de blessures corporelles, TOUJOURS utiliser l'outil si la poignée latérale y est bien installée. Une mauvaise installation pourrait se solder par un glissement de la poignée latérale en cours de fonctionnement, puis une perte de maîtrise de l'outil. Tenir l'outil des deux mains pour obtenir une plus grande maîtrise de l'outil.

La poignée latérale peut être placée d'un côté comme de l'autre de la perceuse ou sur le dessus selon la préférence de l'utilisateur et l'espace de manœuvre disponible. La poignée-bêche peut être retirée temporairement si l'espace de manœuvre à l'arrière de l'outil est restreint. Toujours remettre la poignée-bêche lorsque c'est possible.

Interrupteur (Fig. 2)

Pour mettre la perceuse en marche, enfoncer l'interrupteur à détente; pour la mettre hors circuit, relâcher l'interrupteur à détente.

Le régulateur de vitesse (A) permet de contrôler la vitesse de l'outil. Plus on enfonce l'interrupteur à détente, plus l'outil fonctionne rapidement.

NOTE : Se servir des basses vitesses pour amorcer des trous sans poinçon ainsi que pour percer les métaux, les plastiques et la céramique, ainsi que pour enfoncer des vis. Les vitesses élevées conviennent mieux au perçage du bois et des panneaux d'agglomérés, ainsi qu'à l'utilisation d'accessoires pour le ponçage et le polissage.

L'inverseur de marche (B) sert à sortir les vis ou les forets coincés. Il se trouve au-dessus de l'interrupteur à détente. Pour actionner la marche arrière, il faut D'ABORD relâcher l'interrupteur à détente, puis faire glisser l'inverseur de marche vers la droite. Après les travaux en marche arrière, toujours remettre l'inverseur à la marche avant.

Utiliser le mécanisme de verrouillage (C) lorsque la perceuse est installée sur un support de perceuse ou maintenu fermement de toute autre façon... mais **PAS À LA MAIN**.

Ne pas verrouiller l'interrupteur en position de marche pour percer à la main de façon à pouvoir relâcher instantanément la gâchette si la mèche reste coincée dans le trou.

S'assurer de bien relâcher le mécanisme de verrouillage avant de débrancher la perceuse du secteur. Dans le cas contraire, l'outil démarrera immédiatement la prochaine fois qu'il sera branché, et posera des risques de blessure ou de dommage matériel.

Mandrin

Pour insérer une mèche, ouvrir les mâchoires du mandrin en faisant tourner la bague manuellement puis y insérer l'arbre de la mèche sur une longueur d'environ 19 mm (3/4 po). Resserrer la bague du mandrin manuellement. Mettre la clé du mandrin dans chacun des trois trous puis serrer vers la droite. Il est important de serrer le mandrin à l'aide des trois trous.

Pour relâcher la mèche, faire tourner la clé du mandrin vers la gauche dans un seul trou, puis desserrer le mandrin manuellement.

Retrait du mandrin (Fig. 3, 4)

1. Installer la clé du mandrin comme illustré en Figure 3. À l'aide d'un maillet en bois ou un objet similaire, donner un coup sec sur la clé VERS LA DROITE. Cela desserrera la vis dans le mandrin.
2. Ouvrir les mâchoires du mandrin à fond. Insérer un tournevis à l'avant du mandrin entre les mâchoires dans la tête de la vis. Dévisser la vis en tournant vers la droite (filetage à gauche).
3. Installer la clé du mandrin comme illustré en Figure 4. À l'aide d'un maillet en bois ou un objet similaire, donner un coup sec sur la clé VERS LA GAUCHE. Cela desserrera le mandrin et permettra de le dévisser manuellement.

Perçage

1. N'utiliser que des mèches bien aiguisées. Pour le BOIS, utiliser des forets à vrille, des forets à trois pointes, des forets à bois pour outil électrique ou des scies-cloches. Pour le MÉTAL, utiliser des forets hélicoïdaux en acier à coupe rapide ou des scies-cloches. Pour la MAÇONNERIE, par exemple les briques, le ciment, les blocs de béton, etc., utiliser des forets à pointe carburée.
 2. Assurez-vous que le matériau à percer est ancré ou fixé fermement. En cas de perçage dans un matériau fin, utiliser un bloc en bois pour éviter tout dommage au matériau.
 3. Toujours exercer une pression en ligne droite par rapport à la mèche. Exercer suffisamment de pression pour faire mordre la mèche mais ne pas trop appuyer pour éviter de bloquer le moteur ou de faire dévier la mèche.
 4. Tenir la perceuse fermement afin de maîtriser la torsion de celle-ci. Utiliser la poignée latérale.
- ⚠ MISE EN GARDE :** la perceuse est susceptible de se bloquer, en fonction d'une surcharge, produisant ainsi une torsion brusque. Il faut toujours prévoir l'éventualité d'un blocage. Empoigner fermement la perceuse pour maîtriser sa torsion et éviter ainsi une blessure.
5. **SI LA PERCEUSE SE BLOQUE**, le problème est généralement attribuable à une surcharge ou une mauvaise utilisation. **RELÂCHER IMMÉDIATEMENT LA DÉTENTE**, retirer la mèche du trou percé et déterminer la cause du blocage. **NE PAS APPUYER DE FAÇON RÉPÉTÉE SUR LA DÉTENTE POUR TENTER DE SUPPRIMER LE BLOCAGE, CAR CETTE PRATIQUE PEUT ENDOMMAGER LA PERCEUSE.**
 6. Pour éviter les blocages lorsque vous effectuez un perçage, réduire la pression sur la mèche et percer en douceur la dernière partie du trou.
 7. Faire tourner la perceuse pour retirer la mèche du trou percé. Cette pratique empêche la mèche de se coincer.

PERÇAGE DANS LE BOIS

Les forets hélicoïdaux à métal peuvent servir à percer le bois, mais il faut les retirer souvent du trou pour chasser les copeaux et rognures des goujures afin d'éviter qu'ils ne surchauffent. Pour percer de gros trous, utiliser les forets à langue d'aspic ou à simple spirale, ou des emporte-pièce. Adosser les matériaux friables à un bloc de bois quelconque.

PERÇAGE DANS LE MÉTAL

Utiliser de l'huile de coupe pour percer dans les métaux, sauf la fonte et le laiton qui se percent à sec. L'huile de coupe la plus efficace est l'huile sulfurisée ou l'huile de lard; la graisse de bacon est parfois suffisante.

PERÇAGE DANS LA MAÇONNERIE

Utiliser des forets à maçonnerie à basse vitesse. Exercer une pression constante, sans forcer afin d'éviter de casser les matériaux friables. Une production uniforme de poussière à débit moyen indique un perçage convenable.

ENTRETIEN

⚠ AVERTISSEMENT : pour réduire le risque de blessures corporelles graves, éteindre l'outil et le débrancher avant d'effectuer tout réglage, ou d'enlever ou d'installer des accessoires.

Nettoyage

⚠ AVERTISSEMENT : ne jamais utiliser de solvants ni d'autres produits chimiques puissants pour nettoyer les pièces non métalliques de l'outil. Ces produits chimiques peuvent affaiblir les matériaux de plastique utilisés dans ces pièces. Utiliser un chiffon humecté uniquement d'eau et de savon doux. Ne jamais laisser de liquide pénétrer dans l'outil et n'immerger aucune partie de l'outil dans un liquide.

Lubrification

Les roulements à billes et les paliers lisses de l'outil ont été lubrifiés en permanence à l'usine. La graisse du boîtier d'engrenages lubrifie les roulements à aiguilles. Il faut nettoyer et lubrifier de nouveau le boîtier d'engrenages annuellement ou lorsque l'entretien nécessite le retrait du boîtier d'engrenages. Utiliser le type et la quantité de graisse mentionnée dans la liste des pièces incluse dans l'emballage.

Pour enlever le boîtier d'engrenages, desserrer les quatre vis situées sur le devant de l'outil. Lorsque le mandrin est trop gros pour enlever les deux vis du haut, consulter la rubrique relative au retrait du mandrin.

Balais du moteur

Les outils DeWALT sont dotés d'un système perfectionné de vérification des balais qui arrête automatiquement l'outil lorsque les balais sont usés afin d'empêcher d'endommager le moteur.

Accessoires

⚠ AVERTISSEMENT : puisque les accessoires autres que ceux offerts par DeWALT n'ont pas été testés avec ce produit, leur utilisation pourrait s'avérer dangereuse. Pour réduire le risque de blessures, utiliser exclusivement les accessoires DeWALT recommandés avec le présent produit.

Les accessoires recommandés pour votre outil peuvent être achetés auprès du distributeur local ou d'un centre de réparation agréé. Si vous avez besoin d'assistance pour trouver un accessoire pour votre outil, veuillez contacter DeWALT Industrial Tool Co., 701 East Joppa Road, Baltimore, MD 21286, États-Unis, composer le 1(800) 4-DeWALT (1-800-433-9258) ou visiter notre site Web à www.dewalt.com.

Par mesure de sécurité, n'utiliser que les accessoires suivants et uniquement ceux ne dépassant pas les dimensions maximales recommandées.

CAPACITÉS MAXIMALES RECOMMANDÉES

Capacité de la perceuse Régime (trs/min)	1/2 po	13mm
Hélicoïdal pour l'acier	1/2 po	13 mm
À simple spirale	1-1/2 po	38 mm
À alimentation automatique	3 po	76 mm
À langue d'aspic	1-1/2 po	38 mm
Emporte-pièce pour le bois	5 po	127 mm
Emporte-pièce pour l'acier	4 po	102 mm

LA VITESSE NOMINALE DES ACCESSOIRES DOIT ÊTRE ÉGALE OU SUPÉRIEURE AU RÉGIME DE L'OUTIL (INDIQUÉ SUR LA PLAQUE SIGNALÉTIQUE DE CE DERNIER) AVEC LEQUEL ILS SONT UTILISÉS.

Réparations

Pour assurer la SÉCURITÉ D'EMPLOI et la FIABILITÉ de l'outil, n'en confier la réparation, l'entretien et les ajustements (y compris l'inspection et le remplacement des balais) qu'au personnel d'un centre de service DeWALT ou d'un atelier d'entretien autorisé n'utilisant que des pièces de rechange identiques.

Garantie limitée trois ans

DeWALT réparera gratuitement tous les problèmes dus à des défauts de matériau ou de fabrication pendant trois ans à compter de la date d'achat. Cette garantie ne couvre pas des défaillances de pièce dues à une usure normale ou à une mauvaise utilisation de l'outil. Pour plus de détails relatifs à la couverture de la garantie et aux réparations sous garantie, visiter le site Web www.dewalt.com ou composer le 1-800-4-DeWALT (1-800-433-9258). Cette garantie ne s'applique pas aux accessoires ni aux dommages causés par des réparations réalisées ou

tentées par des tiers. Cette garantie vous accorde des droits légaux spécifiques et il est possible que vous ayez d'autres droits qui varient d'un État ou d'une province à l'autre.

En plus de la garantie, les outils DeWALT sont couverts par notre :

SERVICE D'ENTRETIEN GRATUIT DE 1 AN

DeWALT entretiendra l'outil et remplacera les pièces usées par une utilisation normale et ce, gratuitement, à tout instant pendant la première année à compter de la date d'achat.

GARANTIE DE REMBOURSEMENT DE 90 JOURS

Si vous n'êtes pas entièrement satisfait des performances de votre outil électrique, laser ou de votre marteau-cloueur DeWALT pour quelque raison que ce soit, vous pouvez le retourner accompagné d'un reçu dans les 90 jours suivant la date d'achat et nous vous rembourserons entièrement - sans poser de questions.

AMÉRIQUE LATINE : cette garantie ne s'applique pas aux produits vendus en Amérique latine. Pour ceux-ci, veuillez consulter les informations relatives à la garantie spécifique présente dans l'emballage, appeler l'entreprise locale ou consulter le site Web pour les informations relatives à cette garantie.

REMPLACEMENT GRATUIT DES ÉTIQUETTES D'AVERTISSEMENT : si les étiquettes d'avertissement deviennent illisibles ou sont manquantes, composer le 1-800-4-DeWALT pour en obtenir le remplacement gratuit.



Definiciones: Normas de seguridad

Las siguientes definiciones describen el nivel de gravedad de cada palabra de señal. Lea el manual y preste atención a estos símbolos.

⚠ PELIGRO: indica una situación de peligro inminente que, si no se evita, provocará la muerte o lesiones graves.

⚠ ADVERTENCIA: indica una situación de peligro potencial que, si no se evita, podría provocar la muerte o lesiones graves.

⚠ PRECAUCIÓN: indica una situación de peligro potencial que, si no se evita, posiblemente provocaría lesiones leves o moderadas.

PRECAUCIÓN: cuando se utiliza sin el símbolo de alerta de seguridad indica una situación de peligro potencial que, si no se evita, puede provocar daños en la propiedad.

SI TIENE ALGUNA DUDA O COMENTARIO ACERCA DE ÉSTA U OTRA HERRAMIENTA DeWALT, LLÁMENOS AL NÚMERO GRATUITO: 1-800-4-DeWALT (1-800-433-9258).

Reglas de seguridad generales

⚠ ¡ADVERTENCIA! Lea todas las instrucciones. El incumplimiento con alguna de las instrucciones enumeradas más abajo puede resultar en descarga eléctrica, incendio y/o lesiones corporales serias. El uso del término "máquina herramienta" en las advertencias que se encuentran a continuación, se refiere a su máquina herramienta ya sea operada por la red de suministro (con cable de alimentación) o a batería (inalámbrica).

GUARDE ESTAS INSTRUCCIONES

1) SEGURIDAD EN EL ÁREA DE TRABAJO

- a) **Mantenga su área de trabajo limpia y bien iluminada.** Los accidentes abundan en las áreas de trabajo desordenadas u oscuras.
- b) **No opere máquinas herramienta en ambientes explosivos, tales como en presencia de líquidos, gases o polvos inflamables.** Las máquinas herramienta generan chispas que pueden inflamar el polvo o los gases.
- c) **No use máquinas herramienta en presencia de niños u otras personas circunstantes.** Las distracciones pueden hacerle perder el control.

2) SEGURIDAD ELÉCTRICA

- a) **Los enchufes de las máquinas herramienta deben poder acoplarse a la toma de corriente. Jamás modifique el enchufe de ninguna manera. No emplee adaptadores de enchufe con máquinas herramienta conectadas a tierra.** Los enchufes no modificados y las tomas de corriente que correspondan al enchufe reducirán el riesgo de descarga eléctrica.
- b) **Evite el contacto corporal con superficies conectadas a tierra, tales como tuberías, radiadores, cocinas y refrigeradores.** Existe un mayor riesgo de descarga eléctrica cuando su cuerpo está conectado a tierra.
- c) **No esponga máquinas herramienta a condiciones lluviosas o húmedas.** Si entra agua a la máquina herramienta, aumentará el riesgo de descarga eléctrica.
- d) **No abuse del cable. Jamás transporte, arrastre o desenchufe la máquina herramienta por el cable. Mantenga el cable alejado de fuentes de calor, aceite, bordes afilados o piezas en movimiento.** Los cables dañados o enredados aumentan el riesgo de descarga eléctrica. Cambie o repare aquellos cables que estén dañados. Verifique que su alargador esté en buenas condiciones. Utilice sólo alargadores de 3 hilos con enchufes de 3 patas, con conexión a tierra y tomas de corriente de 3 polos que acepten el enchufe de la herramienta.
- e) **Quando opere una máquina herramienta a la intemperie, use un alargador diseñado para uso a la intemperie.** El uso de un alargador diseñado para uso a la intemperie reduce el riesgo de descarga eléctrica. Cuando use un alargador, asegúrese de usar uno de un calibre suficiente como para cargar con la corriente que requerirá su producto. Un alargador de menor calibre causará una caída en el voltaje de la línea lo que resultará en pérdida de potencia y sobrecalentamiento. El siguiente cuadro muestra el tamaño correcto a utilizar, dependiendo del largo del cable y el amperaje nominal. En caso de duda, utilice el de mayor calibre. Mientras menor el número del calibre, mayor la capacidad del cable.

Calibre mínimo para los juegos de cables

Voltios	Largo total del cable en pies				
120 V	0-25	26-50	51-100	101-150	
240 V	0-50	51-100	101-200	201-300	
Capacidad nominal en amperios		AWG			
Más que	No más que				
0	- 6	18	16	16	14
6	- 10	18	16	14	12
10	- 12	16	16	14	12
12	- 16	14	12	No recomend	

3) SEGURIDAD PERSONAL

- a) **Manténgase alerta, fíjese en lo que está haciendo y utilice su sentido común cuando opere una máquina herramienta. No utilice una máquina herramienta si está cansado o bajo la influencia de drogas, alcohol o medicamentos.** Sólo hace falta

plásticos utilizados en estas piezas. Utilice un paño humedecido sólo con agua y jabón neutro. Nunca permita que penetre líquido dentro de la herramienta ni sumerja ninguna de las piezas en un líquido.

Lubricación

Todos los baleros de bolas y agujas empleados en esta herramienta se lubrican para toda su vida útil. Todos los baleros de agujas reciben lubricación de la grasa en la caja de engranes. Limpie y relubrique la caja de engranes anualmente o cuando sea que el servicio requiera sacar la caja de engranes. Utilice el tipo y la cantidad de grasa indicados en la lista de partes que viene empacada con su herramienta.

La caja de engranes se saca quitando los cuatro tornillos de la parte frontal de la herramienta. Si el portabrocas es demasiado grande para permitir quitar los dos tornillos de la parte superior, vea las instrucciones de remoción del portabrocas.

Carbones del motor

Esta herramienta DeWALT utiliza un avanzado sistema de carbones que apaga la herramienta automáticamente cuando los carbones se han desgastado. Esto evita daños serios al motor.

Accesorios

⚠ ADVERTENCIA: Debido a que no se han probado con este producto otros accesorios que no sean los que ofrece DeWALT, el uso de dichos accesorios con esta herramienta podría ser peligroso. Para reducir el riesgo de lesiones, con este producto deben usarse sólo los accesorios recomendados por DeWALT.

Los accesorios que se recomiendan para la herramienta están disponibles para la compra en su distribuidor local o en el centro de mantenimiento autorizado. Si necesita ayuda para localizar algún accesorio para su herramienta, comuníquese con DeWALT Industrial Tool Co., 701 East Joppa Road, Baltimore, MD 21286, llame al 1-800-4-DeWALT (1-800-433-9258) o visite nuestro sitio Web www.dewalt.com.

Para la seguridad en uso, los accesorios siguientes se deben utilizar solamente de tamaños hasta los máximos demostrados en la tabla abajo.

CAPACIDADES MAXIMAS RECOMENDADAS

Capacidad del taladro R.P.M.	12,7 mm	13mm
Brocas para metal	12,7 mm	1/2 pulg.
Brocas de poder	38,1 mm	1-1/2 pulg.
Alimentación	76,2 mm	3 pulg.
Espada	38,1 mm	1-1/2 pulg.
Brocas sierra p/madera	127 mm	5 pulg.
Brocas sierra p/metal	101,6 mm	4 pulg.

EL ACCESORIO DEBE ESTAR CLASIFICADO PARA UTILIZARSE A UNA VELOCIDAD IGUAL O MAYOR QUE LAS R.P.M. SEÑALADAS EN LA PLACA DE IDENTIFICACION DE LA HERRAMIENTA QUE SE ESTE EMPLEANDO.

Reparaciones

Para garantizar la SEGURIDAD y la CONFIABILIDAD, deberán hacerse reparaciones, mantenimiento y ajustes de esta herramienta en los centros autorizados de servicio DeWALT u otras organizaciones autorizadas. Estas organizaciones prestan servicio a las herramientas DeWALT y emplean siempre refacciones legítimas DeWALT.

Póliza de Garantía

IDENTIFICACIÓN DEL PRODUCTO:

Sello o firma del Distribuidor.

Nombre del producto: _____ Mod./Cat.: _____

Marca: _____ Núm. de serie: _____

(Datos para ser llenados por el distribuidor)

Fecha de compra y/o entrega del producto: _____

Nombre y domicilio del distribuidor donde se adquirió el producto:

Este producto está garantizado por un año a partir de la fecha de entrega, contra cualquier defecto en su funcionamiento, así como en materiales y mano de obra empleados para su fabricación. Nuestra garantía incluye la reparación o reposición del producto y/o componentes sin cargo alguno para el cliente, incluyendo mano de obra, así como los gastos de transportación razonablemente erogados derivados del cumplimiento de este certificado.

Para hacer efectiva esta garantía deberá presentar su herramienta y esta póliza sellada por el establecimiento comercial donde se adquirió el producto, de no contar con ésta, bastará la factura de compra.

EXCEPCIONES.

Esta garantía no será válida en los siguientes casos:

- Cuando el producto se hubiese utilizado en condiciones distintas a las normales;
- Cuando el producto no hubiese sido operado de acuerdo con el instructivo de uso que se acompaña;
- Cuando el producto hubiese sido alterado o reparado por personas distintas a las enlistadas al final de este certificado.

Anexo encontrará una relación de sucursales de servicio de fábrica, centros de servicio autorizados y franquiciados en la República Mexicana, donde podrá hacer efectiva su garantía y adquirir partes, refacciones y accesorios originales.

Garantía limitada de tres años

DeWALT reparará sin cargo cualquier defecto ocasionado por materiales defectuosos o mano de obra, durante tres años a partir de la fecha de compra. Esta garantía no cubre fallas en las piezas que resulten del desgaste normal de la herramienta o de su utilización inadecuada. Para obtener información detallada sobre la cobertura de la garantía y sobre reparaciones, visite nuestra página Web www.dewalt.com o llame al 1-800-4-DeWALT (1-800-433-9258). Esta garantía no se extiende a los accesorios o a los daños causados por terceros al intentar realizar reparaciones. Esta garantía le concede derechos legales específicos; usted goza también de otros derechos que varían según el estado o provincia.

Además de la garantía, las herramientas DeWALT están cubiertas por nuestro:

SERVICIO GRATUITO DE 1 AÑO

DeWALT realizará el mantenimiento de la herramienta y reemplazará las piezas gastadas tras el uso normal, sin costo alguno, en cualquier momento durante el primer año después de la compra.

GARANTÍA DE REEMBOLSO DE DINERO DE 90 DÍAS

Si por alguna razón no estuviera plenamente satisfecho con el rendimiento de la herramienta eléctrica, el láser o la clavadora DeWALT, puede devolver el producto dentro de los 90 días siguientes a la fecha de compra acompañado del recibo de compra. De esta manera, se le reintegrará el importe total del producto sin formularle pregunta alguna.

AMÉRICA LATINA: Esta garantía no se aplica a los productos que se venden en América Latina. Para los productos que se venden en América Latina, debe consultar la información de la garantía específica del país que viene en el empaque, llamar a la compañía local o visitar el sitio Web a fin de obtener esa información.

REEMPLAZO GRATUITO DE LAS ETIQUETAS DE ADVERTENCIA: si sus etiquetas de advertencia se tornan ilegibles o faltan, llame al 1-800-4-DeWALT para que se las reemplacen gratuitamente.

PARA REPARACIÓN Y SERVICIO DE SUS HERRAMIENTAS ELÉCTRICAS, FAVOR DE DIRIGIRSE AL CENTRO DE SERVICIO MÁS CERCANO

CULIACAN, SIN

Bldv.Emiliano Zapata 5400-1 Poniente
Col. San Rafael (667) 717 89 99

GUADALAJARA, JAL

Av. La Paz #1779 - Col. Americana Sector Juárez (33) 3825 6978

MEXICO, D.F.

Eje Central Lázaro Cárdenas No. 18
Local D, Col. Obrera (55) 5588 9377

MERIDA, YUC

Calle 63 #459-A - Col. Centro (999) 928 5038

MONTERREY, N.L.

Av. Francisco I. Madero 831 Poniente - Col. Centro (818) 375 23 13

PUEBLA, PUE

17 Norte #205 - Col. Centro (222) 246 3714

QUERETARO, QRO

Av. San Roque 274 - Col. San Gregorio (442) 2 17 63 14

SAN LUIS POTOSI, SLP

Av. Universidad 1525 - Col. San Luis (444) 814 2383

TORREON, COAH

Bldv. Independencia, 96 Pte. - Col. Centro (871) 716 5265

VERACRUZ, VER

Prolongación Díaz Mirón #4280 - Col. Remes (229) 921 7016

VILLAHERMOSA, TAB

Constitución 516-A - Col. Centro (993) 312 5111

PARA OTRAS LOCALIDADES:

Si se encuentra en México, por favor llame al (55) 5326 7100

Si se encuentra en U.S., por favor llame al
1-800-433-9258 (1-800 4-DeWALT)

Especificaciones	DW130V
Tensión de alimentación	120 V CA
Potencia nominal:	975 W
Frecuencia de operación:	50/60 Hz
Consumo de corriente:	9,0 A (NOM 6 A)
Rotación sin carga:	0-550/min

SOLAMENTE PARA PROPÓSITO DE MÉXICO:
IMPORTADO POR: DeWALT S.A. DE C.V.
BOSQUES DE CIDROS, ACCESO RADIATAS NO.42
3A. SECCIÓN DE BOSQUES DE LAS LOMAS
DELEGACIÓN CUAJIMALPA,
05120, MÉXICO, D.F.
TEL. (52) 555-326-7100
R.F.C.: BDE810626-1W7

Para servicio y ventas consulte
"HERRAMIENTAS ELECTRICAS"
en la sección amarilla.



Free Manuals Download Website

<http://myh66.com>

<http://usermanuals.us>

<http://www.somanuals.com>

<http://www.4manuals.cc>

<http://www.manual-lib.com>

<http://www.404manual.com>

<http://www.luxmanual.com>

<http://aubethermostatmanual.com>

Golf course search by state

<http://golfingnear.com>

Email search by domain

<http://emailbydomain.com>

Auto manuals search

<http://auto.somanuals.com>

TV manuals search

<http://tv.somanuals.com>