

If you have questions or comments, contact us.  
 Pour toute question ou tout commentaire, nous contacter.  
 Si tiene dudas o comentarios, contáctenos.  
**1-800-4-DEWALT • www.dewalt.com**

INSTRUMENTO DE OPERACIÓN, CENTROS DE SERVICIO Y PÓLIZA DE GARANTÍA. ADVERTENCIA: LEÁSE ESTE INSTRUCTIVO ANTES DE USAR EL PRODUCTO.

**INSTRUCTION MANUAL  
 GUIDE D'UTILISATION  
 MANUAL DE INSTRUCCIONES**

# DEWALT®

**DW616/DW618  
 Router System  
 Système de toupeuse  
 Sistema de rebajadora**

DeWALT Industrial Tool Co., 701 East Joppa Road, Baltimore, MD 21286  
 (MAR05) Form No. 631103-00 DW616, DW618 Copyright © 2003, 2005 DeWALT  
 The following are trademarks for one or more DeWALT power tools: the yellow and black color scheme; the "D" shaped air intake grill; the array of pyramids on the handgrip; the kit box configuration; and the array of lozenge-shaped humps on the surface of the tool.

IF YOU HAVE ANY QUESTIONS OR COMMENTS ABOUT THIS, OR ANY DeWALT TOOL, CALL US TOLL FREE AT 1-800-4-DEWALT (1-800-433-9258).

## SAVE THESE INSTRUCTIONS

### General Safety Instructions

**⚠ WARNING! Read and understand all instructions.** Failure to follow all instructions listed below, may result in electric shock, fire and/or serious personal injury.

### SAVE THESE INSTRUCTIONS

### Safety Instructions For All Tools

#### WORK AREA

- ⚠ **Keep your work area clean and well lit.** Cluttered benches and dark areas invite accidents.
- ⚠ **Do not operate power tools in explosive atmospheres, such as in the presence of flammable liquids, gases, or dust.** Power tools create sparks which may ignite the dust or fumes.
- ⚠ **Keep bystanders, children, and visitors away while operating a power tool.** Distractions can cause you to lose control.

#### ELECTRICAL SAFETY

- ⚠ **Grounded tools must be plugged into an outlet properly installed and grounded in accordance with all codes and ordinances. Never remove the grounding prong or modify the plug in any way. Do not use any adapter plugs. Check with a qualified electrician if you are in doubt as to whether the outlet is properly grounded.** If the tool should electrically malfunction or break down, grounding provides a low resistance path to carry electricity away from the user. This tool uses grounded construction (3 prong plug) to provide a means to transfer electrical energy safely away from the user in the event the tool electrically malfunctions, breaks down, or the tool case becomes live. Damage to, or loss of, one of the 3 plug blades; damage to the plug or cord, or failure to have the tool plugged into a verified and continuously grounded electrical system, may result in electric shock, serious injury, or death. To avoid these risks of injury, the tool must, at all times, be maintained and in proper working order (cord, plug blades) and plugged into a continuously grounded electrical system. (See also "Cleaning" in the Maintenance section.)
- ⚠ **Avoid body contact with grounded surfaces such as pipes, radiators, ranges and refrigerators.** There is an increased risk of electric shock if your body is grounded.
- ⚠ **Do not expose power tools to rain or wet conditions.** Water entering a power tool will increase the risk of electric shock.
- ⚠ **Do not abuse the cord. Never use the cord to carry tools or pull the plug from an outlet. Keep cord away from heat, oil, sharp edges or moving parts. Replace damaged cords immediately.** Damaged cords increase the risk of electric shock.
- ⚠ **When operating a power tool outside, use an outdoor extension cord marked "W-A" or "W."** These cords are rated for outdoor use and reduce the risk of electric shock.

#### EXTENSION CORDS

⚠ **Make sure your extension cord is in good condition. When using an extension cord, be sure to use one heavy enough to carry the current your product will draw.** A voltage decrease of more than 10% will cause a loss of power and overheating. An undersized cord will cause a drop in line voltage resulting in loss of power and overheating. The following table shows the correct size to use depending on cord length and nameplate ampere rating. If in doubt, use the next heavier gage. The smaller the gage number, the heavier the cord.

Minimum Gage for Cord Sets				
Volts		Total Length of Cord in Feet		
120V		0-25	26-50	51-100 101-150
240V		0-50	51-100	101-200 201-300
Ampere Rating		American Wire Gage		
More Than	Not more Than			
10	12	16	16	14 12
12	16	14	12	Not Recommended

#### PERSONAL SAFETY

- ⚠ **Stay alert, watch what you are doing and use common sense when operating a power tool. Do not use tool while tired or under the influence of drugs, alcohol, or medication.** A moment of inattention while operating power tools may result in serious personal injury.
- ⚠ **Dress properly. Do not wear loose clothing or jewelry. Contain long hair. Keep your hair, clothing, and gloves away from moving parts.** Loose clothes, jewelry, or long hair can be caught in moving parts. Air vents often cover moving parts and should also be avoided.
- ⚠ **Avoid accidental starting. Be sure switch is off before plugging in.** Carrying tools with your finger on the switch or plugging in tools that have the switch on invites accidents.
- ⚠ **Remove adjusting keys or wrenches before turning the tool on.** A wrench or key that is left attached to a rotating part of the tool may result in personal injury.
- ⚠ **Do not overreach. Keep proper footing and balance at all times.** Proper footing and balance enables better control of the tool in unexpected situations.
- ⚠ **Use safety equipment. Always wear eye protection.** Dust mask, non-skid safety shoes, hard hat, or hearing protection must be used for appropriate conditions.

#### TOOL USE AND CARE

- ⚠ **Use clamps or other practical ways to secure and support the workpiece to a stable platform.** Holding the work by hand or against your body is unstable and may lead to loss of control.
- ⚠ **Do not force tool. Use the correct tool for your application.** The correct tool will do the job better and safer and the rate for which it is designed.
- ⚠ **Do not use tool if switch does not turn it on or off.** Any tool that cannot be controlled with the switch is dangerous and must be repaired.
- ⚠ **Disconnect the plug from the power source before making any adjustments, changing accessories, or storing the tool.** Such preventative safety measures reduce the risk of starting the tool accidentally.
- ⚠ **Store idle tools out of reach of children and other untrained persons.** Tools are dangerous in the hands of untrained users.
- ⚠ **Maintain tools with care. Keep cutting tools sharp and clean.** Properly maintained tools, with sharp cutting edges are less likely to bind and are easier to control.
- ⚠ **Check for misalignment or binding of moving parts, breakage of parts, and any other condition that may affect the tools operation. If damaged, have the tool serviced before using.** Many accidents are caused by poorly maintained tools.
- ⚠ **Use only accessories that are recommended by the manufacturer for your model.** Accessories that may be suitable for one tool may become hazardous when used on another tool.

#### SERVICE

- ⚠ **Tool service must be performed only by qualified repair personnel.** Service or maintenance performed by unqualified personnel could result in a risk of injury.
- ⚠ **When servicing a tool, use only identical replacement parts. Follow instructions in the Maintenance section of this manual.** Use of unauthorized parts or failure to follow maintenance instructions may create a risk of electric shock or injury.

### Specific Safety Rules for Routers

- ⚠ **Hold tool by insulated gripping surfaces when performing an operation where the cutting tool may contact hidden wiring or its own cord.** Contact with a "live" wire will make exposed metal parts of the tool "live" and shock the operator.
- ⚠ **Metal cutting with router:** If using router for metal cutting, clean out tool often. Metal dust and chips often accumulate on interior surfaces and could create a risk of serious injury, electrical shock or death.

- ⚠ **Never run the motor unit when it is not inserted in one of the router bases.** The motor is not designed to be handheld.
- ⚠ **Keep handles dry, clean, and free from oil and grease.** This will enable better control of the tool.
- ⚠ **Keep hands away from cutting area. Never reach under the workpiece for any reason. Keep the router base firmly in contact with the workpiece when cutting. Hold the router only by the handles.** These precautions will reduce the risk of personal injury.
- ⚠ **Use sharp cutters.** Dull cutters may cause the router to swerve or stall under pressure.
- ⚠ **Never touch the bit immediately after use.** It may be extremely hot.
- ⚠ **Be sure that the motor has stopped completely before you lay the router down.** If the cutter head is still spinning when the tool is laid down, it could cause injury or damage.
- ⚠ **Be sure that the router bit is clear of the workpiece before starting the motor.** If the bit is in contact with the workpiece when the motor starts it could make the router jump, causing damage or injury.
- ⚠ **CAUTION: Wear appropriate hearing protection during use.** Under some conditions and duration of use, noise from this product may contribute to hearing loss.
- ⚠ **WARNING: Some dust created by power sanding, sawing, grinding, drilling, and other construction activities contains chemicals known to cause cancer, birth defects or other reproductive harm.** Some examples of these chemicals are:
  - lead from lead-based paint.
  - crystalline silica from bricks and cement and other masonry products.
  - arsenic and chromium from chemically-treated lumber (CCA).
 Your risk from these exposures varies, depending on how often you do this type of work. To reduce your exposure to these chemicals: work in a well ventilated area, and work with approved safety equipment, such as those dust masks that are specially designed to filter out microscopic particles.
- **Avoid prolonged contact with dust from power sanding, sawing, grinding, drilling, and other construction activities. Wear protective clothing and wash exposed areas with soap and water.** Allowing dust to get into your mouth, eyes, or lay on the skin may promote absorption of harmful chemicals.
- ⚠ **WARNING: Use of this tool can generate and/or disburse dust, which may cause serious and permanent respiratory or other injury. Always use NIOSH/OSHA approved respiratory protection appropriate for the dust exposure. Direct particles away from face and body.**
  - The label on your tool may include the following symbols. The symbols and definitions are as follows:
 

V .....	volts	~ .....	alternating current
A .....	amperes	—	direct current
Hz .....	hertz	n <sub>0</sub> .....	no load speed
W .....	watts	□ .....	Class II Construction
min .....	minutes	⊕ .....	earthing terminal
⚠ .....	safety alert symbol	.../min	...revolutions per minute

## FAMILIARIZATION

### Motor

Your DeWALT tool is powered by a DeWALT-built motor. Be sure your power supply agrees with the nameplate marking.  
 "120 V~" means your tool may be operated with alternating current only. Do not connect your tool to a direct current power supply. All DeWALT tools are factory tested; if this tool does not operate, check the power supply.

### Switch

To turn the tool on, push the toggle switch to the on position indicated on the tool. To turn the tool off, push the toggle switch to the off position indicated on the tool.

### Detachable Cord Set (Fig. 1)

Insert the detachable cordset plug so that the key (W) is aligned with the notch (V) in the socket. Turn the plug clockwise one quarter turn to lock.

⚠ **CAUTION: Always turn off the tool and remove the plug from the power supply before detaching the cordset from the tool.**

⚠ **CAUTION: Always leave the toggle switch in the off position when removing or attaching the cord from the motor. If the toggle switch is in the on position when the cordset is attached, the tool will start unexpectedly, causing loss of control, personal injury, and/or damage to the tool or workpiece.**

### SET-UP: FIXED BASE

#### Motor Quick Release (Fig. 2)

- ⚠ **CAUTION: Turn the router off and disconnect it from the power supply.**

  1. Open the locking lever (D) on the base.
  2. Grasp the base with one hand, depressing the quick release latches (A).
  3. With the other hand, grasp the top of the motor unit and lift it from the base.

#### Inserting the Motor into the Fixed Base (Fig. 3)

- ⚠ **CAUTION: Turn the router off and disconnect it from the power supply.**

  1. Open the locking lever (D) on the base.
  2. If the depth adjustment ring (B) is not on the motor, thread the depth adjustment ring (B) onto the motor until the ring is about halfway between the top and bottom of the motor as shown. Insert the motor into the base by aligning the groove on the motor (H) with the guide pins (X) on the base. Slide the motor down until the Depth Adjustment Ring snaps into the quick release latches (A).

**NOTE:** Guide pin grooves are located on either side of the motor so that it can be positioned in two orientations.

3. Adjust the depth of cut by turning the depth adjustment ring. See the heading **Adjusting the Depth of Cut** in the **OPERATION: FIXED BASE** section of this manual.
4. Close the locking lever (D) when the desired depth is achieved. For information on setting the cutting depth, see the heading **Adjusting the Depth of Cut** in the **OPERATION: FIXED BASE** section of this manual.

#### Locking Lever Adjustment (Fig. 4)

⚠ **CAUTION: Turn the router off and disconnect it from the power supply.**  
 You should be able to clamp the locking lever without excessive force. Excessive force may damage the base.  
 You should not be able to move the motor in the base when the locking lever is clamped. To adjust the locking lever's clamping force, open the locking lever (D) and turn the nut (Y) in small increments. Turning the nut clockwise tightens the lever, while turning the nut counterclockwise loosens the lever.

#### Centering the Subbase (Fig. 5)

⚠ **CAUTION: Turn the router off and disconnect it from the power supply.**  
 If you need to adjust, change, or replace the subbase, a centering tool is provided. The centering tool consists of a cone and a pin. To adjust the subbase, follow the steps below.

1. Loosen but do not remove the subbase screws so that the subbase can move freely.
2. Insert the pin into the collet and tighten the collet nut.
3. Insert the motor into the base and clamp the locking lever on the base.
4. Place the cone on the pin and lightly press down on the cone until it stops as shown. This will center the subbase.
5. While holding down on the cone, tighten the subbase screws.

## OPERATION: FIXED BASE

### Bit Installation and Removal (Fig. 6)

- ⚠ **CAUTION: Turn the router off and disconnect it from the power supply.**

  1. To install a bit, insert the round shank of the desired router bit into the loosened collet as far as it will go and then pull it out about 1/16". Using the wrench(es) provided, turn the collet nut (J) clockwise while holding the spindle shaft with the second wrench. [On the DW618, depress the spindle lock button (I) to hold the spindle shaft.]
  2. To remove a bit, hold the spindle shaft while turning the collet nut (J) counterclockwise with the wrench provided. [Hold the spindle by depressing the spindle lock button (I) on the DW618.] The self-releasing collet nut will turn approximately 3/4 of a turn and then become tight again. At this point the bit cannot be removed. Continue turning the collet nut counterclockwise. This lifts the collet, allowing the bit's removal.

### Collets

**NOTE:** Never tighten the collet without first installing a router bit in it. Tightening an empty collet, even by hand, can damage the collet.  
 Two collets are included with the motor: one 1/4" and one 1/2". To change collet sizes, unscrew the collet assembly as described above. Install the desired collet by reversing the procedure. The collet and the collet nut are connected. Do not attempt to remove the collet from the collet nut.

### Adjusting the Depth of Cut (Fig. 2, 3)

- ⚠ **CAUTION: Turn the router off and disconnect it from the power supply.**

  1. Select and install the desired bit. See the heading **Bit Installation and Removal**.
  2. Place the router on its base on the work piece.
  3. Open the locking lever (D) and turn the depth adjustment ring (B) until the bit just touches the work piece. Turning the ring clockwise raises the cutting head while turning it counterclockwise lowers the cutting head.
  4. Move the adjustable scale clockwise (C) so that 0 on the scale is located exactly above the pointer (Z) on the base.
  5. Turn the depth adjustment ring along with the adjustable scale to the desired depth. Note that each mark on the adjustable scale represents a depth change of 1/64" or .015" (.4mm).
  6. Close the locking lever (D).

### Using a Parallel Fence

A parallel fence (DW6913) is available from your local retailer or service center at extra cost. Follow the assembly instructions included with the fence. Insert the two bars through the edge guide holes in the router base. Adjust as needed for parallel routing.

## SET-UP: D-HANDLE BASE

### Motor Quick Release

- ⚠ **CAUTION: Turn the router off and disconnect it from the power supply.**

  1. Open the locking lever (D) on the base.
  2. Grasp the base with one hand while depressing the quick release latches (A).
  3. With the other hand, grasp the top of the motor unit and lift it from the base.

### Inserting the Motor into the D-Handle Base (Fig. 7)

- ⚠ **CAUTION: Turn the router off and disconnect it from the power supply.**

  1. Open the locking lever (D) on the base.
  2. Thread the depth adjustment ring (B) onto the motor until the ring is about halfway between the top and bottom of the motor. Insert the motor into the base by aligning the groove on the motor (H) with the guide pins (X) on the base. Slide the motor down until the depth adjustment ring snaps into the quick release latches (A).
  3. Close the locking lever when the desired depth is achieved. For information on setting cutting depth, see the heading **Adjusting the Depth of Cut** in the **OPERATION: D-HANDLE BASE** section of this manual.
  4. Be sure that the trigger switch (N) is released and the trigger lock button (O) is in the unlocked and off position.
  5. Unlock and disconnect the detachable cordset (L) from the motor.
  6. Connect the detachable cordset (L) to bottom of D-Handle and lock the cord.
  7. Connect the short cord (AA) from top of D-Handle to the motor as shown. Be sure the cord is locked.

- Place the toggle switch in the on position. This allows the trigger switch on the D-handle to control the router.

### Locking Lever Adjustment (Fig. 4)

**CAUTION:** Turn the router off and disconnect it from the power supply.

You should be able to clamp the locking lever without excessive force. Excessive force may damage the base.

You should not be able to move the motor in the base when the locking lever is clamped. To adjust the locking lever's clamping force, open the locking lever (D) and turn the nut (Y) in small increments. Turning the nut clockwise tightens the lever while turning the nut counterclockwise loosens the lever.

### Centering the Subbase (Fig. 5)

**CAUTION:** Turn the router off and disconnect it from the power supply.

If you need to adjust, change, or replace the subbase, a centering tool is provided. The centering tool consists of a cone and a pin. To adjust the subbase, follow the steps below.

- Loosen but do not remove the subbase screws so that the subbase can move freely.
- Insert the pin into the collet and tighten the collet nut.
- Insert the motor into the base and clamp the locking lever on the base.
- Place the cone on the pin and lightly press down on cone until it stops as shown. This will center the subbase.
- While holding down on the cone, tighten the subbase screws.

### OPERATION: D-HANDLE BASE

#### Knob Locations

Grip the D-Handle with one hand and place the other hand on the the knob. The D-Handle router base has two positions for the knob to accommodate right or left hand use.

**CAUTION:** Use both hands at all times to maintain control.

#### Trigger Lock

To lock the trigger, pull the trigger switch (N) completely, then push the trigger lock button (O). The router will remain on after you remove your finger from the trigger. To unlock the trigger lock button, pull the trigger and release. The lock button will pop out and the router will turn off.

#### Bit Installation and Removal (Fig. 6)

**CAUTION:** Turn the router off and disconnect it from the power supply.

- To install a bit, insert the round shank of the desired router bit into the loosened collet as far as it will go and then pull it out about 1/16". Using the wrench(es) provided, turn the collet nut (J) clockwise while holding the spindle shaft with the second wrench. [On the DW618, depress the spindle lock button (I) to hold the spindle shaft.]
- To remove a bit, hold the spindle shaft while turning the collet nut (J) counterclockwise with the wrench provided. [Hold the spindle by depressing the spindle lock button (I) on the DW618.] The self-releasing collet nut will turn approximately 3/4 of a turn and then become tight again. At this point the bit cannot be removed. Continue turning the collet nut counterclockwise. This lifts the collet, allowing the bit's removal.

#### Collets

**NOTE:** Never tighten the collet without first installing a router bit in it. Tightening an empty collet, even by hand, can damage the collet.

Two collets are included with the motor: one 1/4" and one 1/2". To change collet sizes, unscrew the collet assembly as described above. Install the desired collet by reversing the procedure. The collet and the collet nut are connected. Do not attempt to remove the collet from the collet nut.

#### Adjusting the Depth of Cut (Fig. 3)

**CAUTION:** Turn the router off and disconnect it from the power supply.

- Select and install the desired bit. See the heading **Bit Installation and Removal**.
- Place the router on its base on the work piece.
- Open the locking lever (D) and turn the depth adjustment ring (B) until the bit just touches the work piece. Turning the ring clockwise raises the cutting head while turning it counterclockwise lowers the cutting head.
- Move the adjustable scale clockwise so that 0 on the scale is located exactly above the pointer (Z) on the base.
- Turn the depth adjustment ring along with the adjustable scale to the desired depth. Note that each mark on the adjustable scale represents a depth change of 1/64" or .015" (.4mm).
- Close the locking lever (D).

#### Using a Parallel Fence

A parallel fence (DW6913) is available from your local retailer or service center at extra cost. Follow the assembly instructions included with the fence. Insert the two bars through the holes in the router base. Adjust as needed for parallel routing.

### SET-UP: PLUNGE BASE (Fig. 8)

#### Motor Quick Release

**CAUTION:** Turn the router off and disconnect it from the power supply.

- Open the locking lever (D) on the base.
- Grasp the top of the motor unit and lift it from the base.

#### Inserting the Motor into the Plunge Base

**CAUTION:** Turn the router off and disconnect it from the power supply.

- Remove the depth adjustment ring from the motor. It is not used with the plunge base.
- Open the locking lever (D) on the base to ensure that the motor properly seats.
- Ensure that the plunge lock lever (R) is locked.
- Align the flat of the motor's end cap (BB) with pillar (CC) and insert the motor into the plunge base until it stops.
- Close the locking lever (D).

### Locking Lever Adjustment (Fig. 4)

**CAUTION:** Turn the router off and disconnect it from the power supply.

You should be able to clamp the locking lever without excessive force. Excessive force may damage the base.

You should not be able to move the motor in the base when the locking lever is clamped. To adjust the locking lever's clamping force, open the locking lever (D) and turn the nut (Y) in small increments. Turning the nut clockwise tightens the lever, while turning the nut counterclockwise loosens the lever.

### Centering the Subbase (Fig. 5)

**CAUTION:** Turn the router off and disconnect it from the power supply.

If you need to adjust, change, or replace the subbase, a centering tool is provided. The centering tool consists of a cone and a pin. To adjust the subbase, follow the steps below.

- Loosen but do not remove the subbase screws so that the subbase can move freely.
- Insert the pin into the collet and tighten the collet nut.
- Insert the motor into the base and clamp the locking lever on the base.
- Place the cone on the pin and lightly press down on the cone until it stops as shown. This will center the subbase.
- While holding down on the cone, tighten the subbase screws.

### OPERATION: PLUNGE BASE

#### Bit Installation and Removal (Fig. 6)

**CAUTION:** Turn the router off and disconnect it from the power supply.

- To install a bit, insert the round shank of the desired router bit into the loosened collet as far as it will go and then pull it out about 1/16". Using the wrench(es) provided, turn the collet nut (J) clockwise while holding the spindle shaft with the second wrench. [On the DW618, depress the spindle lock button (I) to hold the spindle shaft.]
- To remove a bit, hold the spindle shaft while turning the collet nut (J) counterclockwise with the wrench provided. [Hold the spindle by depressing the spindle lock button (I) on the DW618.] The self-releasing collet nut will turn approximately 3/4 of a turn and then become tight again. At this point the bit cannot be removed. Continue turning the collet nut counterclockwise. This lifts the collet, allowing the bit's removal.

#### Collets

**NOTE:** Never tighten the collet without first installing a router bit in it. Tightening an empty collet, even by hand, can damage the collet.

Two collets are included with the motor: one 1/4" and one 1/2". To change collet sizes, unscrew the collet assembly as described above. Install the desired collet by reversing the procedure. The collet and the collet nut are connected. Do not attempt to remove the collet from the collet nut.

#### Adjusting the Plunge Routing Depth (Fig. 8)

**CAUTION:** Turn the router off and disconnect it from the power supply.

- Unlock the plunge mechanism by pushing up the plunge lock lever (R). Plunge the router down as far as it will go, allowing the bit to just touch the workpiece.
- Lock the plunge mechanism by pushing the plunge lock lever (R) down.
- Loosen the depth adjustment rod (Q) by turning the wingscrew (DD) counterclockwise.
- Slide the depth adjustment rod (Q) down so that it meets the lowest turret stop (P).
- Slide the tab (EE) on the depth adjustment rod down so that the top of it meets zero on the pillar scale (FF).
- Grasping the top, knurled section of the depth adjustment rod (Q), slide it up so that the tab (EE) aligns with the desired depth of cut on the pillar scale (FF).
- Tighten the wingscrew (DD) to hold the depth adjustment rod in place.
- Keeping both hands on the handles, unlock the plunge mechanism by pushing the plunge lock lever (R) up. The plunge mechanism and the motor will move up. When the router is plunged, the depth adjustment rod will hit the turret stop, allowing the router to reach exactly the desired depth.

### Fine Adjustment of Routing Depth

**CAUTION:** Turn the router off and disconnect it from the power supply.

The knurled knob (GG) at the bottom end of the depth adjustment rod can be used to make minor adjustments.

- To decrease the cutting depth, rotate the knob clockwise (looking down from the top of the router).
- To increase the cutting depth, rotate the knob counterclockwise (looking down from the top of the router).

**NOTE:** One complete rotation of the knob results in a change of about 5/128" or .04" (1 mm) in depth.

### Using the Rotating Turret Stop (Fig. 9)

The turret depth stop can be used to set 5 different depths. One of the turret stops is adjustable. To use the adjustable turret stop, loosen the nut (HH), then adjust the screw (II) to the desired height. Turning the screw counterclockwise will raise the screw which will decrease the cutting depth. The turret stop is useful for making deep cuts in several passes.

**WARNING:** Do not change the turret stop while the router is running. This will place your hands too near the cutter head.

### Cutting with the Plunge Base (Fig. 8)

**CAUTION:** Turn the router on before plunging the cutter head into the workpiece.

- Unlock the plunge lock lever (R).
- Plunge the router down until the bit reaches the set depth.
- Lock the plunge lock lever (R).
- Perform the cut.
- Unlock the plunge lock lever. This will allow the router bit to disengage the work.
- Turn the router off.

### Dust Extraction (Fig. 10)

**CAUTION:** Turn the router off and disconnect it from the power supply.

To connect the router to a vacuum cleaner for dust extraction, follow these steps:

- Remove the dust cap (T) by pulling straight up.
- Insert the dust extraction hose adapter (JJ) into the dust extraction port (KK) as shown.
- Insert the end of a standard vacuum cleaner tube (LL) into the hose adapter.
- When using dust extraction, be aware of the placement of the vacuum cleaner. Be sure that the vacuum cleaner is stable and that its hose will not interfere with the work.

### OPERATION: ALL BASES

#### Direction Of Feed (Fig. 11)

The direction of feed is very important when routing and can make the difference between a successful job and a ruined project. The figures at left show the proper direction of feed for some typical cuts. A general rule to follow is to move the router in a counterclockwise direction on an outside cut and a clockwise direction on an inside cut.

Shape the outside edge of a piece of stock by following these steps:

- Shape the end grain, left to right
- Shape the straight grain side moving left to right
- Cut the other end grain side
- Finish the remaining straight grain edge

#### Choosing Router Speed (DW618 only) (Fig. 12)

Refer to the chart above to choose a router speed. Turn the speed dial (G) to control router speed.

### MAINTENANCE

#### Cleaning

**WARNING:** Blowing dust and chips out of the motor housing using clean, dry compressed air is a necessary regular maintenance procedure. Dust and chips containing metal particles often accumulate on interior surfaces and could create an electrical shock or electrocution if not frequently cleaned out. ALWAYS WEAR SAFETY GLASSES.

**CAUTION:** Never use solvents or other harsh chemicals for cleaning the non-metallic parts of the tool. Use a clean, dry rag only.

**NOTE FOR PLUNGE BASE ONLY:** Use only a DRY cloth to wipe the plunge rods. These rods require no lubrication. Lubricants attract dust, reducing the performance of your tool.

#### Accessories

Recommended accessories for use with your tool are available at extra cost from your local dealer or authorized service center. If you need assistance in locating any accessory for your tool, call us toll free at: 1-800-4-DeWALT (1-800-433-9258) or contact DeWALT Industrial Tool Co., 701 East Joppa Road, Baltimore, MD 21286.

**CAUTION:** The use of any other accessory not recommended for use with this tool could be hazardous.

#### Repairs

To assure product SAFETY and RELIABILITY, repairs, maintenance and adjustment (including brush inspection and replacement) should be performed by authorized service centers or other qualified service personnel, always using identical replacement parts.

#### Three Year Limited Warranty

DeWALT will repair, without charge, any defects due to faulty materials or workmanship for three years from the date of purchase. This warranty does not cover part failure due to normal wear or tool abuse. For further detail of warranty coverage and warranty repair information, visit www.dewalt.com or call 1-800-4-DeWALT (1-800-433-9258). This warranty does not apply to accessories or damage caused where repairs have been made or attempted by others. This warranty gives you specific legal rights and you may have other rights which vary in certain states or provinces.

In addition to the warranty, DeWALT tools are covered by our:

#### 1 YEAR FREE SERVICE

DeWALT will maintain the tool and replace worn parts caused by normal use, for free, any time during the first year after purchase.

#### 90 DAY MONEY BACK GUARANTEE

If you are not completely satisfied with the performance of your DeWALT Power Tool, Laser, or Nailer for any reason, you can return it within 90 days from the date of purchase with a receipt for a full refund – no questions asked.

**RECONDITIONED PRODUCT:** Reconditioned product is covered under the 1 Year Free Service Warranty. The 90 Day Money Back Guarantee and the Three Year Limited Warranty do not apply to reconditioned product.

**FREE WARNING LABEL REPLACEMENT:** If your warning labels become illegible or are missing, call 1-800-4-DeWALT for a free replacement.

SI VOUS AVEZ DES QUESTIONS OU VOUS VOULEZ NOUS FAIRE PART DE VOS COMMENTAIRES CONCERNANT CET OUTIL OU TOUT AUTRE OUTIL DEWALT, COMPOSEZ SANS FRAIS LE 1 800 433-9258.

### CONSERVER CES DIRECTIVES!

#### MESURES DE SÉCURITÉ – GÉNÉRALITÉS

**AVERTISSEMENT! Lire et comprendre toutes les directives, car le non-respect des directives suivantes pourrait entraîner un risque de choc électrique, d'incendie ou de blessures graves.**

### CONSERVER CES DIRECTIVES

#### Consignes de sécurité concernant tous les outils

##### ZONE DE TRAVAIL

**⚠ Garder la zone de travail propre et bien éclairée; les établis encombrés et les endroits sombres sont propices aux accidents.**

**⚠ Ne pas utiliser les outils électriques dans une atmosphère explosive, comme à proximité de liquides, de gaz ou de poussières inflammables; le moteur peut créer des étincelles et enflammer les vapeurs ou les poussières environnantes.**

**⚠ Tenir les enfants, les visiteurs ou toute autre personne à l'écart lorsqu'on utilise un outil électrique; les distractions peuvent faire perdre la maîtrise de ce dernier.**

##### MESURES DE SÉCURITÉ - ÉLECTRICITÉ

**⚠ Les outils mis à la terre doivent être branchés dans une prise bien installée et mise à la terre conformément à tous les codes et règlements en vigueur. Ne jamais retirer la broche de terre ni modifier la fiche. Ne pas utiliser d'adaptateur. Vérifier auprès d'un électricien qualifié en cas de doute quant à la mise à la terre de la prise. En cas de défaillance électrique ou de bris de l'outil, la mise à la terre procure un chemin de faible résistance au courant qui autrement traverserait l'utilisateur. Pour éviter que l'utilisateur ne soit électrocuté en cas de défaillance, de bris ou de conductivité de l'outil, celui-ci est doté d'une fiche à trois broches afin d'assurer la mise à la terre. Il y a risque d'électrocution, de blessures graves ou de mort lorsqu'on utilise un outil dont une broche est endommagée ou absente ou dont la fiche ou le cordon est endommagé ou qui n'est pas branché dans une prise conforme mise continuellement à la terre. Pour éviter les risques de blessures, l'outil doit toujours être bien entretenu et en bon état de marche (cordons, broches de la fiche) et doit être branché dans une prise mise à la terre continuellement. (Voir également la rubrique « Nettoyage » dans la section Entretien.)**

**⚠ Éviter tout contact entre le corps et les éléments mis à la terre, comme les tuyaux, les radiateurs, les cuisinières et les réfrigérateurs, afin de réduire les risques de choc électrique.**

**⚠ Ne pas utiliser l'outil électrique dans des endroits mouillés, ni l'exposer à la pluie; l'infiltration d'eau à l'intérieur de l'outil augmente les risques de choc électrique.**

**⚠ Ne pas utiliser le cordon de manière abusive; on ne doit pas transporter l'outil en le tenant par le cordon, ou utiliser ce dernier pour le débrancher. On doit tenir le cordon à l'écart des sources de chaleur, de l'huile, des bords tranchants ou des pièces mobiles. Remplacer immédiatement les cordons endommagés, car ces derniers augmentent les risques de choc électrique.**

**⚠ Lorsqu'on utilise un outil électrique à l'extérieur, on ne doit utiliser que des rallonges conçues pour cet usage, comme celles de type « W-A » ou « W », afin de réduire les risques de choc électrique.**

##### RALLONGES

**⚠ S'assurer que la rallonge est en bon état; si on utilise une rallonge, s'assurer d'en choisir une qui est en mesure de porter le courant nécessaire à l'outil. Une baisse de tension de plus de 10 p. 100 peut entraîner une perte de puissance et la surchauffe. Une rallonge de calibre inférieur entraînera une chute de tension se traduisant par une perte de puissance et une surchauffe. Le tableau ci-dessous illustre les calibres que l'on doit utiliser selon la longueur de la rallonge et l'intensité nominale indiquée sur la plaque signalétique. En cas de doute, utiliser le calibre suivant. Plus le calibre est petit, plus la rallonge peut porter de courant.**

##### Calibre minimal des cordons de rallonge

##### Tension Longueur totale du cordon en mètres

120 V	De 0 à 7	De 7 à 15	De 15 à 30	De 30 à 45
240 V	De 0 à 7	De 7 à 15	De 15 à 39	De 30 à 45

##### Intensité (A)

Au moins		Au plus		Calibre moyen de fil	
10	- 12	16	16	14	12
12	- 16	14	12	Non recommandé	

#### SÉCURITÉ PERSONNELLE

**⚠ Rester vigilant en tout temps et faire preuve de jugement lorsqu'on utilise un outil électrique; ne pas utiliser l'outil lorsqu'on est fatigué ou sous l'influence de drogues, d'alcool ou de médicaments, car un moment d'inattention pourrait entraîner des blessures graves.**

**⚠ Porter des vêtements appropriés; ne pas porter de vêtements amples ni de bijoux. Couvrir ou attacher les cheveux longs. Garder les cheveux, les vêtements, les bijoux et les gants éloignés des pièces mobiles, car ceux-ci peuvent s'y coincer. Se tenir éloigné des événements puisque ces derniers pourraient camoufler des pièces mobiles.**

**⚠ Éviter les démarrages accidentels; s'assurer que l'interrupteur est en position d'arrêt avant de brancher l'outil. Ne pas transporter l'outil en laissant le doigt sur l'interrupteur ni le brancher lorsque l'interrupteur est en position de marche, car cela pourrait causer un accident.**

**⚠ Retirer les clés de réglage avant de démarrer l'outil; une clé laissée sur une pièce rotative peut entraîner des blessures.**

**⚠ Ne pas trop étendre les bras; les pieds doivent rester ancrés fermement au sol afin de maintenir son équilibre en tout temps et de mieux maîtriser l'outil dans des situations imprévues.**

**⚠ Utiliser le matériel de sécurité approprié; toujours porter des lunettes de protection. Porter un masque anti-poussières, des chaussures antidérapantes, un casque de sécurité ou des protecteurs auditifs lorsque la situation le requiert.**

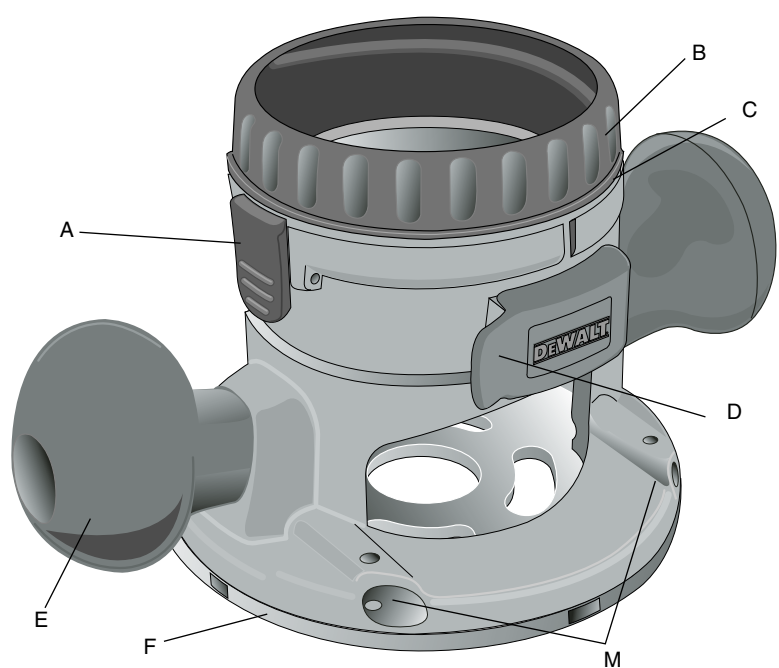
##### UTILISATION ET ENTRETIEN DE L'OUTIL

**⚠ Fixer et soutenir le matériel sur une plate-forme stable au moyen d'une bride de serrage ou de tout autre dispositif semblable; le matériel est instable lorsqu'on le retient manuellement ou qu'on l'appuie contre le corps, ce qui peut faire perdre la maîtrise de l'outil.**

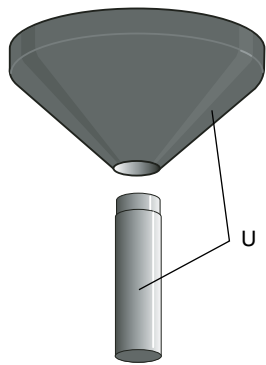
**⚠ Ne pas forcer l'outil ni l'utiliser pour des travaux autres que ceux pour lesquels il a été conçu. Pour obtenir de meilleurs résultats et prévenir les risques de blessure, laisser l'outil couper à la vitesse pour laquelle il a été conçu.**

**⚠ Ne pas utiliser l'outil lorsque l'interrupteur marche-arrêt ne fonctionne pas; tout outil qui ne peut être commandé au moyen de l'interrupteur est dangereux et doit être réparé.**

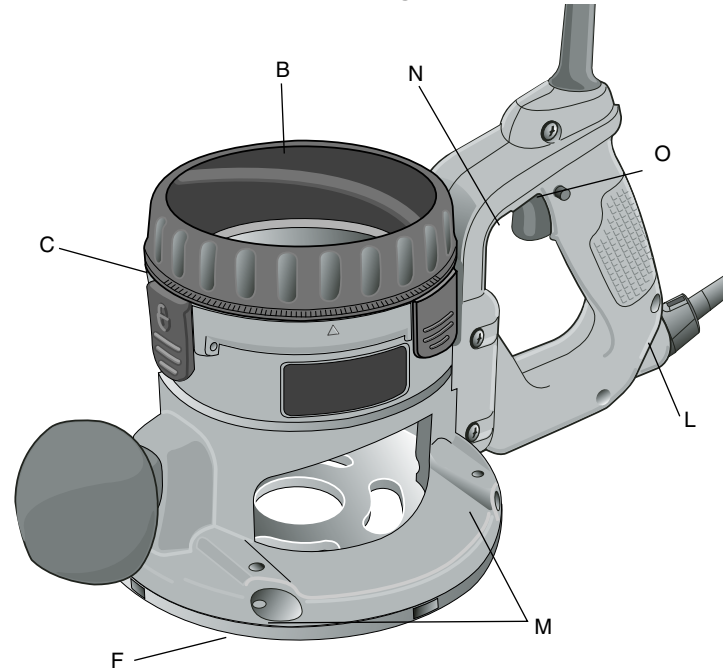
**Fixed Base - Base fixe - Base fija**



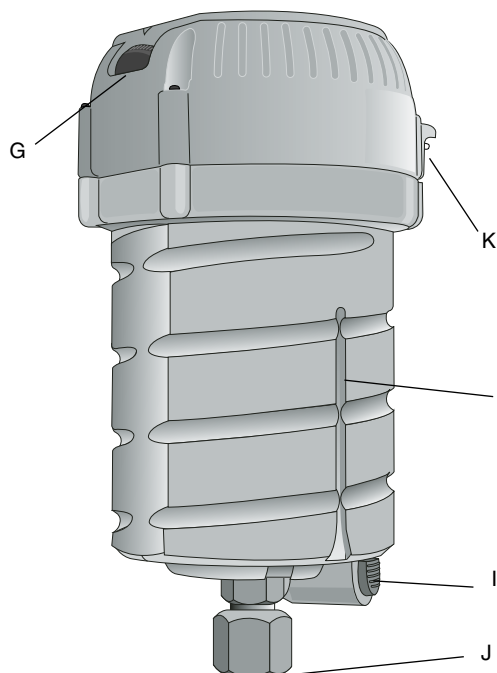
**Centering Tool  
Outil de centrage  
Herramienta de centrado**



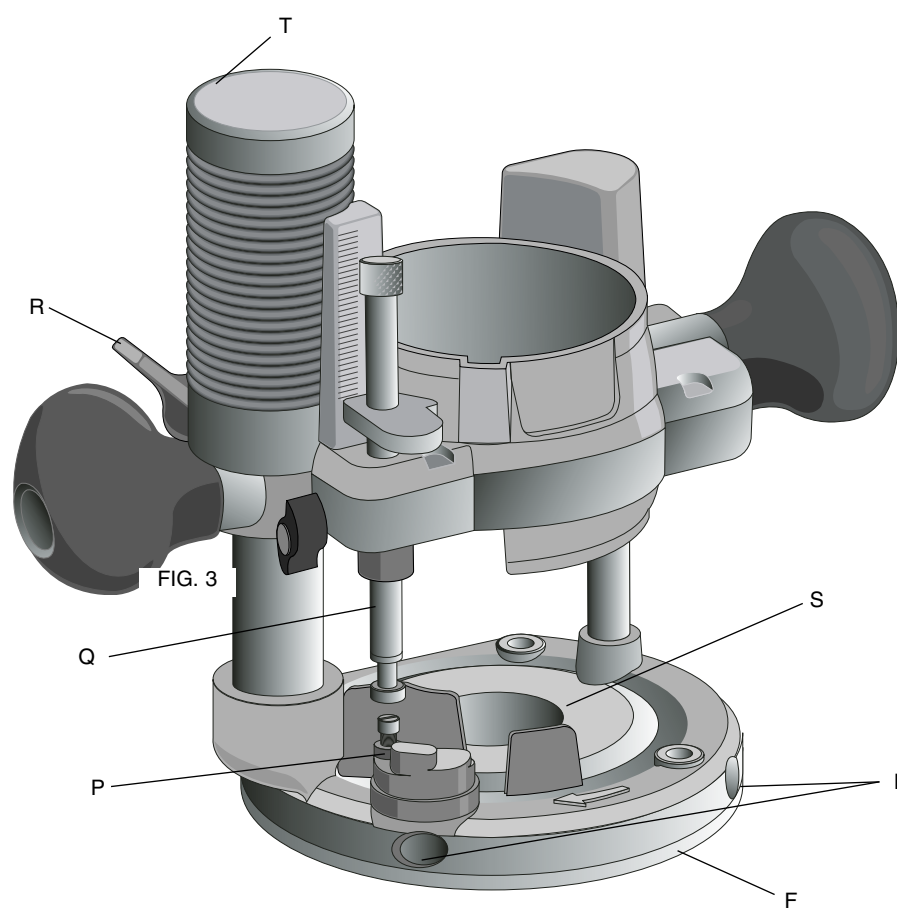
**D-Handle Base - Base de la poignée fermée  
Base con mango en D**



**Motor - Bloc moteur - Unidad del motor**



**Plunge Base - Base plongeante - Base para penetración**



- A. QUICK RELEASE LATCH
- B. DEPTH ADJUSTMENT RING
- C. ADJUSTABLE SCALE
- D. LOCKING LEVER
- E. HANDLE
- F. SUBBASE
- G. SPEED DIAL (618 ONLY)
- H. GUIDE PIN GROOVE
- I. SPINDLE LOCK BUTTON (618 ONLY)
- J. COLLET NUT
- K. TOGGLE SWITCH
- L. DETACHABLE CORDSET
- M. HOLES FOR UNIVERSAL EDGE GUIDE
- N. TRIGGER SWITCH
- O. TRIGGER LOCK BUTTON
- P. TURRET STOP
- Q. DEPTH ADJUSTMENT ROD
- R. PLUNGE LOCK LEVER
- S. DUST SHROUD
- T. DUST CAP
- U. CENTERING TOOL

- A. VERROU DE DÉBLOCAGE RAPIDE
- B. ANNEAU DE RÉGLAGE DE PROFONDEUR
- C. ÉCHELLE RÉGLABLE
- D. LEVIER DE VERROUILLAGE
- E. POIGNÉE
- F. SOUS-BASE
- G. BOUTON DE RÉGLAGE DES VITESSES (MODÈLE 618 SEULEMENT)
- H. RAINURE DE LA GOUPILLE DE GUIDAGE
- I. BOUTON DE VERROUILLAGE DE LA BROCHE (MODÈLE 618 SEULEMENT)
- J. ÉCROU DE LA DOUILLE DE SERRAGE
- K. COMMUTATEUR À BASCULE
- L. CORDON AMOVIBLE
- M. ORIFICES POUR BORD-GUIDE UNIVERSEL
- N. INTERRUPTEUR À GÂCHETTE
- O. BOUTON DE VERROUILLAGE DE LA GÂCHETTE
- P. BUTÉE DE LA TOURELLE
- Q. TIGE DE RÉGLAGE DE PROFONDEUR
- R. LEVIER DE VERROUILLAGE DE PLONGÉE
- S. ENVELOPPE ANTI-POUSSIÈRE
- T. CAPUCHON ANTI-POUSSIÈRE
- U. OUTIL DE CENTRAGE

- A. SEGURO DE LIBERACIÓN RÁPIDA
- B. ANILLO DE AJUSTE DE PROFUNDIDAD
- C. ESCALA AJUSTABLE
- D. PALANCA DE SEGURIDAD
- E. MANGO
- F. SUB BASE
- G. SELECTOR DE VELOCIDAD (ÚNICAMENTE 618)
- H. CANAL PARA PERNO GUÍA
- I. BOTÓN DEL SEGURO DE LA FLECHA
- J. TUERCA DE LA MORDAZA
- K. INTERRUPTOR DE CAMBIO
- L. CABLE DESMONTABLE
- M. ORIFICIOS PARA GUÍA UNIVERSAL PARA BORDES
- N. GATILLO INTERRUPTOR
- O. BOTÓN DE SEGURO DEL GATILLO
- P. TOPE DE TORRETA
- Q. VARILLA DE AJUSTE DE PROFUNDIDAD
- R. PALANCA DE SEGURO DE PENETRACIÓN
- S. CUBIERTA CONTRA POLVO
- T. TAPA DE POLVO
- U. HERRAMIENTA DE CENTRADO

FIG. 1

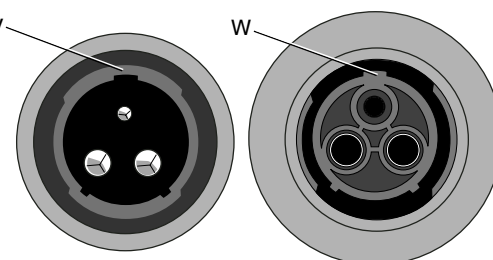


FIG. 2

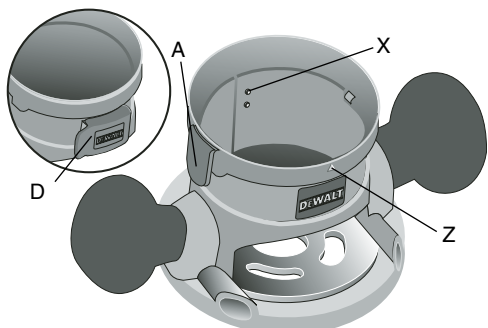


FIG. 3

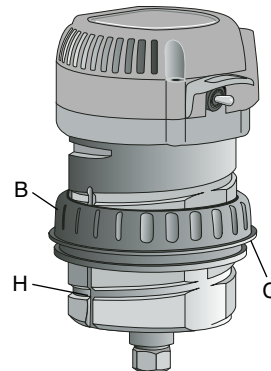


FIG. 4

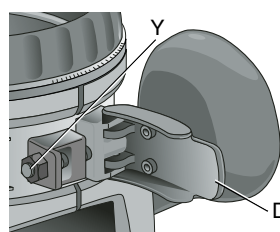


FIG. 5

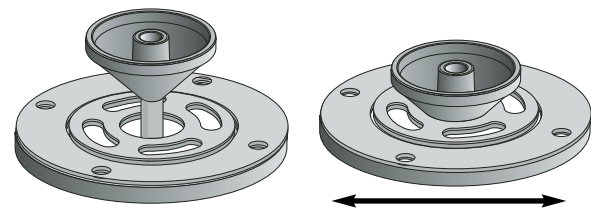


FIG. 6

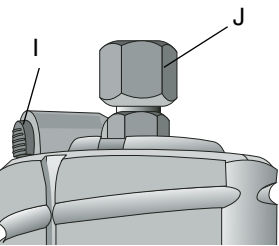


FIG. 7

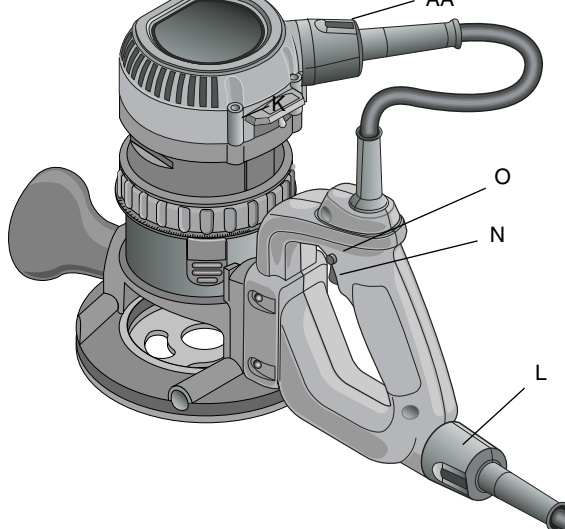


FIG. 8

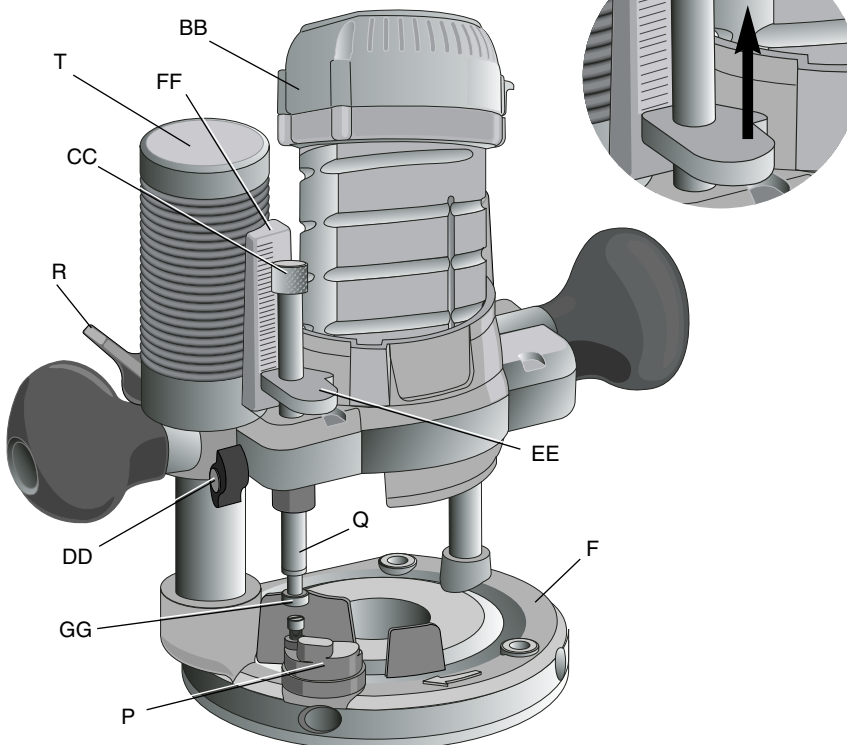


FIG. 9

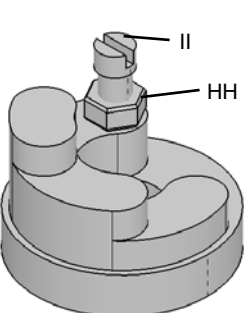


FIG. 10

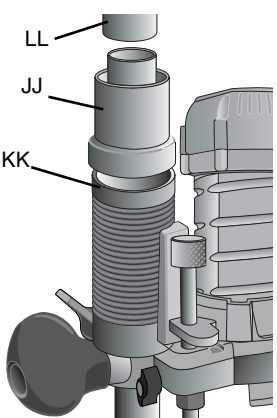


FIG. 11

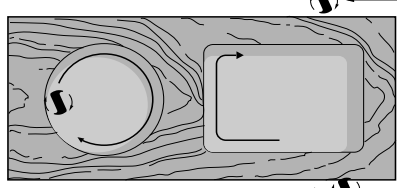
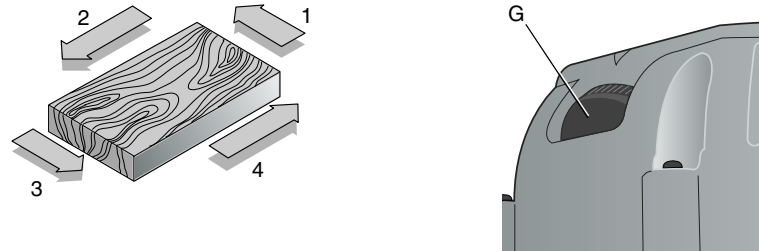


FIG. 12



SPEED SELECTION CHART							
Material	Cutter Diam.	Electronic Control Settings					
		Setting 1 8,000 rpm	Setting 2 12,000 rpm	Setting 3 14,000 rpm	Setting 4 18,000 rpm	Setting 5 21,000 rpm	Setting 6 24,000 rpm
Model # DW618 Hardwood, e.g., oak	Small (1/2")	-	-	O	X	XX	X
	Medium (1/2"-1 1/8")	-	-	O	XX	X	-
	Large (over-1 1/8")	X	XX	O	-	-	-
Softwood, e.g., pine	Small (1/2")	-	-	O	X	XX	XX
	Medium (1/2"-1 1/8")	-	O	X	XX	XX	XX
	Large (over-1 1/8")	X	XX	O	-	-	-
Plastic-laminated chipboard	Small (1/2")	-	-	O	X	XX	XX
	Medium (1/2"-1 1/8")	-	O	X	XX	XX	XX
	Large (over-1 1/8")	O	XX	X	-	-	-
Plastics/Solid Surface	Small (1/2")	-	O	X	X	XX	XX
	Medium (1/2"-1 1/8")	-	O	XX	XX	X	X
	Large (over-1 1/8")	X	XX	O	-	-	-

This table can serve only as a guide, since wood was a living material. Within the same species of timber hardness and density vary. Speed settings are approximate.

**KEY:** XX very good    X good    O Satisfactory    - not recommended

**⚠ Débrancher l'outil avant d'effectuer un réglage, de changer les accessoires ou de ranger l'outil**; ces mesures de sécurité préventives réduisent les risques de démarrage accidentel.

**⚠ Lorsqu'on n'utilise pas l'outil, le ranger hors de la portée des enfants ou des personnes non qualifiées**; les outils sont dangereux entre les mains de personnes inexpérimentées.

**⚠ Bien entretenir l'outil et s'assurer qu'il est toujours bien propre et aiguisé**; les outils bien entretenus et dont les bords sont bien tranchants sont moins susceptibles de rester coincés et sont plus faciles à maîtriser.

**⚠ Vérifier les pièces mobiles afin de s'assurer qu'elles sont bien alignées et qu'elles ne restent pas coincées**; vérifier également les pièces afin de s'assurer qu'il n'y a ni bris ni aucune autre condition susceptible de nuire au bon fonctionnement de l'outil; faire réparer l'outil si ce dernier est endommagé avant de s'en servir à nouveau, car les accidents sont souvent causés par des outils mal entretenus.

**⚠ N'utiliser que les accessoires recommandés par le fabricant pour le modèle concerné**; un accessoire destiné à un outil particulier peut devenir dangereux lorsqu'il est utilisé avec un autre.

#### ENTRETIEN

**⚠ L'outil doit être entretenu par le personnel qualifié seulement**; toute maintenance effectuée par une personne non qualifiée peut entraîner des risques de blessure.

**⚠ Lors de l'entretien, n'utiliser que des pièces de rechange identiques et suivre les directives de la section « Entretien » du présent guide afin de prévenir les risques de choc électrique ou de blessure.**

### Règles de sécurité spécifique concernant les toupies

**⚠ Tenir l'outil par les surfaces isolées prévues à cette fin lorsque l'outil risque d'entrer en contact avec des fils cachés ou le cordon, car de tels contacts peuvent mettre les pièces métalliques de l'outil sous tension, engendrant des risques de choc électrique.**

**⚠ Découpage du métal à la toupie : si la toupie sert à découper du métal, il faut la nettoyer souvent. La poussière de métal s'accumule souvent sur les surfaces intérieures et pourrait causer des blessures sérieuses, une électrocution ou la mort.**

**⚠ Ne jamais faire fonctionner le bloc moteur lorsqu'il n'est pas inséré dans l'une des bases de la toupie**; le moteur n'est pas conçu pour être tenu à la main.

**⚠ Maintenir les poignées sèches, propres et exemptes d'huile et de graisse afin de mieux maîtriser l'outil.**

**⚠ Garder les mains éloignées des zones de coupe; ne pas mettre les mains sous le matériel pour quelque raison que ce soit. S'assurer de bien maintenir la base de la toupie en contact avec la pièce lors de la coupe et de toujours tenir l'outil par les poignées seulement** afin de réduire les risques de blessure.

**⚠ Toujours utiliser une arête bien aiguisée, car les arêtes usées peuvent faire dévier la toupie ou faire caler le moteur lorsqu'on exerce trop de pression sur l'outil.**

**⚠ Ne jamais toucher à la mèche immédiatement après l'avoir utilisée, car elle peut être extrêmement chaude.**

**⚠ Attendre que le moteur s'arrête complètement avant de déposer la toupie. Si l'arête tranchante tourne encore lorsqu'on dépose l'outil, on risque de causer des dommages ou des blessures.**

**⚠ S'assurer que la mèche n'est pas en contact avec la pièce avant de démarrer le moteur, afin d'éviter de faire bondir la toupie et de causer des dommages ou des blessures.**

**⚠ MISE EN GARDE : Porter un dispositif de protection personnel anti-bruit approprié durant l'utilisation. Sous certaines conditions et pendant toute la durée de l'utilisation, le bruit émanant de ce produit pourrait contribuer à la perte d'audition.**

**⚠ AVERTISSEMENT : Certains outils électriques, tels que les sableuses, les scies, les meules, les perceuses ou certains autres outils de construction, peuvent produire de la poussière contenant des produits chimiques susceptibles d'entraîner le cancer, des malformations congénitales ou pouvant être nocifs pour le système reproductif. Parmi ces produits chimiques, on retrouve :**




- le plomb dans les peintures à base de plomb,
- la silice cristalline dans les briques et le ciment et autres produits de maçonnerie,
- l'arsenic et le chrome dans le bois de sciage ayant subi un traitement chimique (comme l'arséniate de cuivre et de chrome).

*Le risque associé à de telles expositions varie selon la fréquence avec laquelle on effectue ces travaux. Pour réduire l'exposition à de tels produits, il faut travailler dans un endroit bien aéré et utiliser le matériel de sécurité approprié, tel un masque anti-poussières spécialement conçu pour filtrer les particules microscopiques.*

- Éviter tout contact prolongé avec la poussière soulevée par cet outil ou autres outils électriques. Porter des vêtements de protection et nettoyer les parties exposées du corps avec de l'eau savonneuse.** S'assurer de bien se protéger afin d'éviter d'absorber par la bouche, les yeux ou la peau des produits chimiques nocifs.

**⚠ AVERTISSEMENT : Cet outil peut produire et répandre de la poussière susceptible de causer des dommages sérieux et permanents au système respiratoire. Toujours utiliser un appareil respiratoire anti-poussières approuvé par le NIOSH ou l'OSHA. Diriger les particules dans le sens opposé du visage et du corps.**

- L'étiquette apposée sur l'outil peut comprendre les symboles suivants. Voici les symboles et leurs définitions :

V .....	volts	A.....	ampères
Hz.....	hertz	W .....	watts
min .....	minutes	~ .....	courant alternatif
====	....courant direct	n o .....	régime sans charge
	.....construction de classe II		.....borne de mise à la terre
	.....symbole de risque de choc	.../min .....	tours par minute

## FAMILIARISATION

### Moteur

Cet outil est entraîné par un moteur DEWALT. S'assurer que l'intensité nominale du cordon d'alimentation correspond à celle indiquée sur la plaque signalétique; sur cette dernière, la mention « 120 V ~» signifie que l'outil ne doit être branché que dans une prise de courant alternatif; ne pas brancher l'outil dans une prise de courant continu. Tous les outils DEWALT sont soumis à des essais en usine; si cet outil ne fonctionne pas, on doit d'abord vérifier l'intensité nominale du cordon d'alimentation.

### Interrupteur

Pour mettre l'outil en marche, enfoncer le commutateur à bascule jusqu'à la position de marche (« ON ») indiquée sur l'outil; pour l'arrêter, enfoncer le commutateur jusqu'à la position d'arrêt (« OFF »), également indiquée sur l'outil.

### Cordon amovible (Fig. 1)

Insérer la fiche du cordon amovible de manière à aligner la clé (W) avec l'encoche (V) de la douille. Tourner la fiche d'un quart de tour vers la droite afin de la verrouiller.

**⚠ MISE EN GARDE : Toujours arrêter et débrancher l'outil de la source d'alimentation électrique avant de débrancher le cordon de l'outil.**

**⚠ MISE EN GARDE : Toujours régler le commutateur à bascule à la position d'arrêt (« OFF ») avant de retirer le cordon du moteur ou de le fixer à ce dernier. Si le commutateur est réglé à la position de marche (« ON ») lorsque le cordon est fixé au moteur, l'outil démarrera accidentellement, ce qui entraînera la perte de maîtrise de l'outil ou des blessures graves, ou endommagera l'outil ou la pièce.**

## INSTALLATION DE LA BASE FIXE

### Verrou de déblocage rapide du moteur (Fig. 2)

**⚠ MISE EN GARDE : Arrêter et débrancher la toupie de la source d'alimentation électrique.**

- Ouvrier le levier de verrouillage (D) situé sur la base.
- Saisir la base d'une main et enfoncer les verrous de déblocage rapide (A).
- Saisir le dessus du bloc moteur de l'autre main et le soulever hors de la base.

### Installation du moteur dans la base fixe (Fig. 3)

**⚠ MISE EN GARDE : Arrêter et débrancher la toupie de la source d'alimentation électrique.**

- Ouvrier le levier de verrouillage (D) situé sur la base.
- Si l'anneau de réglage de profondeur n'est pas déjà installé sur le moteur, fileter l'anneau (B) sur ce dernier jusqu'à ce que qu'il se trouve à mi-chemin entre le dessus et le dessous du moteur (voir l'illustration). Installer le moteur dans la base en alignant la rainure située sur le moteur (H) avec les goupilles de guidage (X) se trouvant sur la base. Glisser le moteur vers le bas jusqu'à ce que l'anneau de réglage de profondeur s'enclenche dans les verrous de déblocage rapide (A).

**REMARQUE:** Les rainures du moteur sont situées de chaque côté du moteur afin qu'on puisse l'orienter dans un sens ou dans l'autre.

- Régler la profondeur de coupe en tournant l'anneau de réglage de profondeur. Consulter la rubrique « Réglage de la profondeur de coupe » dans la section « FONCTIONNEMENT DE LA BASE FIXE » du présent guide.
- Fermer le levier de verrouillage (D) dès qu'on a atteint la profondeur voulue. Pour obtenir des renseignements sur le réglage de la profondeur de coupe, consulter la rubrique « Réglage de la profondeur de coupe » dans la section « FONCTIONNEMENT DE LA BASE FIXE » du présent guide.

### Réglage du levier de verrouillage (Fig. 4)

**⚠ MISE EN GARDE : Arrêter et débrancher la toupie de la source d'alimentation électrique.**

On doit pouvoir fixer solidement le levier de verrouillage sans exercer trop de pression; une pression excessive risque d'endommager la base. Le moteur doit rester immobile dans la base une fois le levier fixé. Pour régler la force de serrage du levier de verrouillage, ouvrir ce dernier (D) et tourner l'écrou (Y) par petits échelons; le tourner vers la droite pour serrer le levier, ou vers la gauche pour le desserrer.

### Centrage de la sous-base (Fig. 5)

**⚠ MISE EN GARDE : Arrêter et débrancher la toupie de la source d'alimentation électrique.**

Un outil de centrage est fourni afin de permettre à l'utilisateur de régler, de changer ou de remplacer la sous-base, le cas échéant. L'outil de centrage est doté d'un cône et d'une goupille. Pour régler la sous-base, suivre les étapes énumérées ci-dessous :

- Desserrer les vis de la sous-base sans les retirer afin de permettre à la sous-base de se déplacer librement;
- Insérer la goupille dans la douille de serrage et serrer l'écrou de la douille;
- Installer le moteur dans la base et fixer le levier de verrouillage sur la base;
- Mettre le cône sur la goupille et appuyer légèrement sur le cône jusqu'à ce qu'il s'immobilise (voir la figure), afin de centrer la sous-base;
- Appuyer sur le cône pour le retenir en place et serrer les vis de la sous-base.

## FONCTIONNEMENT DE LA BASE FIXE

### Installation et retrait de l'arête tranchante (Fig. 6)

**⚠ MISE EN GARDE : Arrêter et débrancher la toupie de la source d'alimentation électrique.**

- Pour installer l'arête, insérer sa tige circulaire dans la douille de serrage (celle-ci doit être desserrée), en l'enfonçant aussi loin que possible, puis la retirer sur environ 1 mm (1/16 po). Tourner l'écrou de la douille de serrage (J) vers la droite au moyen d'une ou de plusieurs clés fournies, en retenant l'arbre à broche au moyen de la deuxième clé. [Pour le modèle DW618, retenir l'arbre à broche en enfonçant le bouton de verrouillage de la broche (I).]
- Pour retirer l'arête tranchante, retenir l'arbre à broche et tourner l'écrou de la douille de serrage (J) vers la gauche au moyen de la clé fournie. [Pour le modèle DW618, retenir la broche en enfonçant son bouton de verrouillage (I).] L'écrou à autodéclenchement de la douille de serrage tourne sur environ trois-quarts de tour avant de se resserrer; il devient alors impossible de retirer l'arête. Continuer à tourner l'écrou vers la gauche afin de permettre à la douille de se soulever et de pouvoir ainsi retirer l'arête.

## Douilles de serrage

**REMARQUE :** Ne jamais serrer la douille avant d'y avoir d'abord inséré une arête; on risque d'endommager une douille sans arête, même lorsqu'on la serre manuellement.

Deux douilles sont fournies avec le moteur : une de 6,4 mm (1/4 po) et l'autre de 13 mm (1/2 po). Pour changer d'une douille à l'autre, dévisser son assemblage tel que décrit précédemment, puis insérer la douille voulue en suivant les étapes en sens inverse. La douille et son écrou sont rattachés; ne pas tenter de les séparer.

### Réglage de la profondeur de coupe (Fig. 2 & 3)

**⚠ MISE EN GARDE : Arrêter et débrancher la toupie de la source d'alimentation électrique.**

- Installer l'arête voulue. Consulter la rubrique « Installation et retrait de l'arête tranchante » du présent guide.
- Mettre la toupie sur sa base et déposer l'ensemble sur la pièce.
- Ouvrir le levier de verrouillage (D) et tourner l'anneau de réglage de profondeur (B) jusqu'à ce que l'arête touche à peine la pièce. Tourner l'anneau vers la droite pour soulever l'arête, ou vers la gauche pour l'abaisser.
- Déplacer l'échelle réglable (C) de manière à placer la marque « 0 » directement au-dessus de l'indicateur (Z) situé sur la base.
- Tourner l'anneau de réglage de profondeur et l'échelle réglable jusqu'à la profondeur voulue. Il est à noter que chaque marque indiquée sur l'échelle représente un écart de profondeur de 0,4 mm (1/64 po ou 0,015 po).
- Fermer le levier de verrouillage (D).

### Utilisation d'un guide parallèle

Le guide parallèle (modèle DW6913) est vendu séparément chez un dépositaire local ou dans un centre de service. Pour l'installer, suivre les directives d'assemblage fournies avec le guide parallèle. Insérer les deux barres dans les orifices du guide-bord situés dans la base de la toupie; les régler, au besoin, pour effectuer le touillage parallèle.

## INSTALLATION DE LA BASE DE LA POIGNÉE FERMÉE

### Verrou de déblocage rapide du moteur

**⚠ MISE EN GARDE : Arrêter et débrancher la toupie de la source d'alimentation électrique.**

- Ouvrir le levier de verrouillage (D) situé sur la base.
- Saisir la base d'une main et enfoncer les verrous de déblocage rapide (A).
- Saisir le dessus du bloc moteur de l'autre main et le soulever hors de la base.

### Installation du moteur dans la base de la poignée fermée (Fig. 7)

**⚠ MISE EN GARDE : Arrêter et débrancher la toupie de la source d'alimentation électrique.**

- Ouvrir le levier de verrouillage (D) situé sur la base.
- Fileter l'anneau de réglage de profondeur (B) sur le moteur jusqu'à ce que qu'il se trouve à mi-chemin entre le dessus et le dessous du moteur. Installer le moteur dans la base en alignant la rainure située sur le moteur (H) avec les goupilles de guidage (X) se trouvant sur la base. Glisser le moteur vers le bas jusqu'à ce que l'anneau de réglage de profondeur s'enclenche dans les verrous de déblocage rapide (A).
- Fermer le levier de verrouillage dès qu'on a atteint la profondeur voulue. Pour obtenir des renseignements sur le réglage de la profondeur de coupe, consulter la rubrique « Réglage de la profondeur de coupe » dans la section « FONCTIONNEMENT DE LA BASE DE LA POIGNÉE FERMÉE » du présent guide.
- S'assurer que l'interrupteur à gâchette (N) est relâché et que le bouton de verrouillage de la gâchette (O) est déverrouillé et réglé à la position d'arrêt.
- Déverrouiller et débrancher le cordon amovible (L) du moteur.
- Raccorder le cordon amovible (L) à la partie inférieure de la poignée fermée et verrouiller le cordon.
- Raccorder le cordon court (AA) situé sur la partie supérieure de la poignée fermée au moteur, tel qu'illustré; s'assurer que le cordon est bien verrouillé.
- Régler le commutateur à bascule à la position de marche (« ON ») afin de pouvoir maîtriser la toupie au moyen de l'interrupteur à gâchette situé sur la poignée fermée.

### Réglage du levier de verrouillage (Fig. 4)

**⚠ MISE EN GARDE : Arrêter et débrancher la toupie de la source d'alimentation électrique.**

On doit pouvoir fixer solidement le levier de verrouillage sans exercer trop de pression; une pression excessive risque d'endommager la base. Le moteur doit rester immobile dans la base une fois le levier fixé. Pour régler la force de serrage du levier de verrouillage, ouvrir ce dernier (D) et tourner l'écrou (Y) par petits échelons; le tourner vers la droite pour serrer le levier, ou vers la gauche pour le desserrer.

### Centrage de la sous-base (Fig. 5)

**⚠ MISE EN GARDE : Arrêter et débrancher la toupie de la source d'alimentation électrique.**
Un outil de centrage est fourni afin de permettre à l'utilisateur de régler, de changer ou de remplacer la sous-base, le cas échéant. L'outil de centrage est doté d'un cône et d'une goupille. Pour régler la sous-base, suivre les étapes énumérées ci-dessous :

- Desserrer les vis de la sous-base sans les retirer afin de permettre à la sous-base de se déplacer librement;
- Insérer la goupille dans la douille de serrage et serrer l'écrou de la douille;
- Installer le moteur dans la base et fixer le levier de verrouillage sur la base;
- Mettre le cône sur la goupille et appuyer légèrement sur le cône jusqu'à ce qu'il s'immobilise (voir la figure), afin de centrer la sous-base;
- Aspuyer sur le cône pour le retenir en place et serrer les vis de la sous-base.

## FONCTIONNEMENT DE LA BASE DE LA POIGNÉE FERMÉE

### Emplacement des boutons

Saisir la poignée fermée d'une main et mettre l'autre main sur la poignée arrondie. Le bouton de la base de la toupie à poignée fermée comporte deux positions afin d'accueillir les droitiers et les gauchers.

**⚠ MISE EN GARDE : Utiliser les deux mains en tout temps afin de bien maîtriser l'outil.**

### Bouton de verrouillage de la gâchette

Pour verrouiller la gâchette, tirer à fond sur son interrupteur (N), puis enfoncer le bouton de verrouillage de la gâchette (O). La toupie demeure sous tension lorsqu'on retire le doigt de la gâchette. Pour déverrouiller le bouton de verrouillage de la gâchette, tirer sur la gâchette et la relâcher afin de faire ressortir le bouton et d'arrêter la toupie.

### Installation et retrait de l'arête tranchante (Fig. 6)

**⚠ MISE EN GARDE : Arrêter et débrancher la toupie de la source d'alimentation électrique.**

- Pour installer l'arête, insérer sa tige circulaire dans la douille de serrage (celle-ci doit être desserrée), en l'enfonçant aussi loin que possible, puis la retirer sur environ 1 mm (1/16 po). Tourner l'écrou de la douille de serrage (J) vers la droite au moyen d'une ou de plusieurs clés fournies, en retenant l'arbre à broche au moyen de la deuxième clé. [Pour le modèle DW618, retenir l'arbre à broche en enfonçant le bouton de verrouillage de la broche (I).]
- Pour retirer l'arête, retenir l'arbre à broche et tourner l'écrou de la douille de serrage (J) vers la gauche au moyen de la clé fournie. [Pour le modèle DW618, retenir la broche en enfonçant son bouton de verrouillage (I).] L'écrou à autodéclenchement de la douille de serrage tourne sur environ trois-quarts de tour avant de se resserrer; il devient alors impossible de retirer l'arête. Continuer à tourner l'écrou vers la gauche afin de permettre à la douille de se soulever et de pouvoir ainsi retirer l'arête.

### Douilles de serrage

**REMARQUE :** Ne jamais serrer la douille avant d'y avoir d'abord inséré une arête; on risque d'endommager une douille sans arête, même lorsqu'on la serre manuellement.

Deux douilles sont fournies avec le moteur : une de 6,4 mm (1/4 po) et l'autre de 13 mm (1/2 po). Pour changer d'une douille à l'autre, dévisser son assemblage tel que décrit précédemment, puis insérer la douille voulue en suivant les étapes en sens inverse. La douille et son écrou sont rattachés; ne pas tenter de les séparer.

### Réglage de la profondeur de coupe (Fig. 3)

**⚠ MISE EN GARDE : Arrêter et débrancher la toupie de la source d'alimentation électrique.**

- Installer l'arête voulue. Consulter la rubrique « Installation et retrait de l'arête tranchante » du présent guide.
- Mettre la toupie sur sa base et déposer l'ensemble sur la pièce.
- Ouvrir le levier de verrouillage (D) et tourner l'anneau de réglage de profondeur (B) jusqu'à ce que l'arête touche à peine la pièce. Tourner l'anneau vers la droite pour soulever l'arête, ou vers la gauche pour l'abaisser.
- Déplacer l'échelle réglable de manière à placer la marque « 0 » directement au-dessus de l'indicateur (Z) situé sur la base.
- Tourner l'anneau de réglage de profondeur et l'échelle réglable jusqu'à la profondeur voulue. Il est à noter que chaque marque indiquée sur l'échelle représente un écart de profondeur de 0,4 mm (1/64 po ou 0,015 po).
- Fermer le levier de verrouillage (D).

### Utilisation d'un guide parallèle

Un guide parallèle (modèle DW6913) est vendu séparément chez un dépositaire local ou dans un centre de service. Pour l'installer, suivre les directives d'assemblage fournies avec le guide parallèle. Insérer les deux barres dans les orifices situés dans la base de la toupie; les régler, au besoin, pour effectuer le touillage parallèle.

## INSTALLATION DE LA BASE PLONGEANTE (Fig. 8)

### Verrou de déblocage rapide du moteur

**⚠ MISE EN GARDE : Arrêter et débrancher la toupie de la source d'alimentation électrique.**

- Ouvrier le levier de verrouillage (D) situé sur la base.
- Saisir le dessus du bloc moteur et le soulever hors de la base.

### Installation du moteur dans la base plongeante

**⚠ MISE EN GARDE : arrêter et débrancher la toupie de la source d'alimentation électrique.**

- Retirer l'anneau de réglage de profondeur hors du moteur (celle-ci ne doit pas être utilisée avec la base plongeante).
- Ouvrier le levier de verrouillage (D) de la base afin de s'assurer que le moteur est bien en place.
- S'assurer que le levier de verrouillage de la base de plongée (R) est verrouillé.
- Aligner la partie plate du capuchon d'extrémité du moteur (BB) avec la colonne (CC), puis installer le moteur dans la base plongeante, en le poussant jusqu'au fond.
- Fermer le levier de verrouillage (D).

### Réglage du levier de verrouillage (Fig. 4)

**⚠ MISE EN GARDE : Arrêter et débrancher la toupie de la source d'alimentation électrique.**

On doit pouvoir fixer solidement le levier de verrouillage sans exercer trop de pression; une pression excessive risque d'endommager la base. Le moteur doit rester immobile dans la base une fois le levier fixé. Pour régler la force de serrage du levier de verrouillage, ouvrir ce dernier (D) et tourner l'écrou (Y) par petits échelons; le tourner vers la droite pour serrer le levier, ou vers la gauche pour le desserrer.

### Centrage de la sous-base (Fig. 5)

**⚠ MISE EN GARDE : Arrêter et débrancher la toupie de la source d'alimentation électrique.**

Un outil de centrage est fourni afin de permettre à l'utilisateur de régler, de changer ou de remplacer la sous-base, le cas échéant. L'outil de centrage est doté d'un cône et d'une goupille. Pour régler la sous-base, suivre les étapes énumérées ci-dessous :

- Desserrer les vis de la sous-base sans les retirer afin de permettre à la sous-base de se déplacer librement;
- Insérer la goupille dans la douille de serrage et serrer l'écrou de la douille;
- Installer le moteur dans la base et fixer le levier de verrouillage sur la base;
- Mettre le cône sur la goupille et appuyer légèrement sur le cône jusqu'à ce qu'il s'immobilise (voir la figure), afin de centrer la sous-base;
- Appuyer sur le cône pour le retenir en place et serrer les vis de la sous-base.

TABLEAU DE SÉLECTION DES VITESSES							
Material	Diam. (outil de coupe)	Réglages électroniques					
		Réglage 1 8 000 tr/min	Réglage 2 12 000 tr/min	Réglage 3 14 000 tr/min	Réglage 4 18 000 tr/min	Réglage 5 21 000 tr/min	Réglage 6 24 000 tr/min
Model # DW618 Bois dur (p. ex., le chêne)	Petit*	–	–	O	X	XX	X
	Moyen**	–	–	O	XX	X	–
	Grand***	X	XX	O	–	–	–
Bois mou (p. ex., le pin)	Petit*	–	–	O	X	XX	XX
	Moyen**	–	O	X	XX	XX	XX
	Grand***	X	XX	O	–	–	–
Aggloméré plastifié	Petit*	–	–	O	X	XX	XX
	Moyen**	–	O	X	XX	XX	XX
	Grand***	O	XX	X	–	–	–
Plastique/surface solide	Petit*	–	O	X	X	XX	XX
	Moyen**	–	O	XX	XX	X	X
	Grand***	X	XX	O	–	–	–

Ce tableau n'est offert qu'à titre indicatif, puisque le bois est une matière vivante. Puisque la dureté et la densité de divers bois de même espèce peut varier, les réglages de vitesses sont approximatifs.

**LÉGENDE :** XX = très bon    X = bon    O = satisfaisant    – = non recommandé

\*Petit : 12,7 mm (1/2 po)  
\*\*Moyen : 12,7 à 3,2 mm (1/2 à 1-1/8 po)  
\*\*\*Grand : plus de 3,2 mm (1-1/8 po)

TABLA DE SELECCIÓN DE VELOCIDADES							
Material	Diámetro de cuchilla	Ajuste de control electrónico					
		Posición 1 8 000 rpm	Posición 2 12 000 rpm	Posición 3 14 000 rpm	Posición 4 18 000 rpm	Posición 5 21 000 rpm	Posición 6 24 000 rpm
Modelo # DW618 Madera dura, pe. encino	Pequeña (1/2")	–	–	O	X	XX	X
	Mediana (1/2"-11/8")	–	–	O	XX	X	–
	Grande (más de 1 1/8")	X	XX	O	–	–	–
Madera suave, pe. pino	Pequeña (1/2")	–	–	O	X	XX	XX
	Mediana (1/2"-11/8")	–	O	X	XX	XX	XX
	Grande (más de 1 1/8")	X	XX	O	–	–	–
Aglomerado c/laminado plástico	Pequeña (1/2")	–	–	O	X	XX	XX
	Mediana (1/2"-11/8")	–	O	X	XX	XX	XX
	Grande (más de 1 1/8")	O	XX	X	–	–	–
Plástico/superficie sólida	Pequeña (1/2")	–	O	X	X	XX	XX
	Mediana (1/2"-11/8")	–	O	XX	XX	X	X
	Grande (más de 1 1/8")	X	XX	O	–	–	–

Este vector puede servir solamente como guía, puesto que la madera era un material vivo. Dentro de la misma especie de la dureza y de la densidad de la madera varía. Las configuraciones de la velocidad son aproximadas.

**Llave:** XX = muy bueno    X = bon    O = satisfactorio    – = No recomendado

## FONCTIONNEMENT DE LA BASE PLONGEANTE

### Installation et retrait de l'arête tranchante (Fig. 6)

▲ **MISE EN GARDE** : Arrêter et débrancher la toupie de la source d'alimentation électrique.

- Pour installer l'arête, insérer sa tige circulaire dans la douille de serrage (celle-ci doit être desserrée), en l'enfonçant aussi loin que possible, puis la retirer sur environ 1 mm (1/16 po). Tourner l'écrou de la douille de serrage (J) vers la droite au moyen d'une ou de plusieurs clés fournies, en retenant l'arbre à broche au moyen de la deuxième clé. [Pour le modèle DW618, retenir l'arbre à broche en enfonçant le bouton de verrouillage de la broche (I).]
- Pour retirer l'arête, retenir l'arbre à broche et tourner l'écrou de la douille de serrage (J) vers la gauche au moyen de la clé fournie. [Pour le modèle DW618, retenir la broche en enfonçant son bouton de verrouillage (I).] L'écrou à autodéclenchement de la douille de serrage tourne sur environ trois-quarts de tour avant de se resserrer; il devient alors impossible de retirer l'arête. Continuer à tourner l'écrou vers la gauche afin de permettre à la douille de se soulever et de pouvoir ainsi retirer l'arête.

### Douilles de serrage

**REMARQUE** : Ne jamais serrer la douille avant d'y avoir d'abord inséré une arête; on risque d'endommager une douille sans arête, même lorsqu'on la serre manuellement.

Deux douilles sont fournies avec le moteur : une de 6,4 mm (1/4 po) et l'autre de 13 mm (1/2 po). Pour changer d'une douille à l'autre, dévisser son assemblage tel que décrit précédemment, puis insérer la douille voulue en suivant les étapes en sens inverse. La douille et son écrou sont rattachés; ne pas tenter de les séparer.

### Réglage de la profondeur de toupillage (Fig. 8)

▲ **MISE EN GARDE** : Arrêter et débrancher la toupie de la source d'alimentation électrique.

- Déverrouiller le mécanisme de plongée en poussant le levier de verrouillage de plongée (R) vers le haut et en poussant la toupie vers le bas, aussi loin que possible, jusqu'à ce que l'arête tranchante touche à peine la pièce.
- Verrouiller le mécanisme de plongée en poussant le levier de verrouillage de plongée (R) vers le bas.
- Desserrer la tige de réglage de profondeur (Q) en tournant la vis à oreilles (DD) vers la gauche.
- Faire glisser la tige de réglage de profondeur (Q) vers le bas, jusqu'à ce qu'elle entre en contact avec la butée de la tourelle située au point le plus bas (P).
- Faire glisser la languette (EE) de la tige de réglage de profondeur vers le bas, de manière à ce que sa partie supérieure soit alignée avec la marque « 0 » indiquée sur l'échelle de la colonne (FF).
- Saisir la section moulée supérieure de la tige de réglage de profondeur (Q), puis la faire glisser vers le haut de manière (EE) à aligner la languette avec la marque de profondeur de coupe voulue indiquée sur l'échelle de la colonne (FF).
- Serrer la vis à oreilles (DD) afin de retenir la tige en place.
- Saisir les poignées des deux mains et déverrouiller le mécanisme de plongée en poussant le levier de verrouillage de plongée (R) vers le haut. Le mécanisme de plongée et le moteur se déplaceront vers le haut. Une fois la toupie réglée en mode de plongée, la tige de réglage de profondeur entre en contact avec la butée de la tourelle, permettant à la toupie d'atteindre la profondeur choisie.

### Réglage exact de la profondeur de toupillage

▲ **MISE EN GARDE** : Arrêter et débrancher la toupie de la source d'alimentation électrique.

On peut utiliser le bouton moleté (GG) situé sur la partie inférieure de la tige de réglage de profondeur pour effectuer des réglages mineurs.

- Pour réduire la profondeur de coupe, tourner le bouton vers la droite (lorsqu'on regarde en bas à partir du haut de la toupie).
- Pour augmenter la profondeur de coupe, tourner le bouton vers la gauche.

**REMARQUE** : chaque tour complet du bouton équivaut à un écart de profondeur de 1 mm (5/128 po ou 0,04 po).

### Utilisation de la butée de la tourelle rotative (Fig. 9)

La butée de profondeur de la tourelle peut être utilisée pour régler la toupie à cinq profondeurs différentes; l'une des butées est réglable. Pour utiliser la butée réglable, desserrer l'écrou (HH) et régler la vis (II) à la hauteur voulue. Tourner la vis vers la gauche pour la soulever et réduire ainsi la profondeur de coupe. La butée est utile lorsqu'on veut effectuer une coupe profonde en plusieurs passes.

▲ **AVERTISSEMENT** : Ne pas changer la butée de la tourelle lorsque la toupie est en marche afin d'éviter de mettre les mains trop près de l'arête tranchante.

### Coupes effectuées au moyen de la base plongeante (Fig. 8)

▲ **MISE EN GARDE** : Mettre la toupie en marche avant de plonger la pointe de coupe dans la pièce, on doit.

- Déverrouiller le levier de verrouillage de plongée (R).
- Plonger la toupie vers le bas jusqu'à ce que l'arête tranchante ait atteint la profondeur choisie.
- Verrouiller le levier de verrouillage de plongée (R).
- Effectuer la coupe.
- Déverrouiller le levier afin de dégager l'arête de la pièce.
- Arrêter la toupie.

### Dépoussiérage (Fig. 10)

▲ **MISE EN GARDE** : Arrêter et débrancher la toupie de la source d'alimentation électrique.

Pour raccorder la toupie à un aspirateur en vue d'effectuer le dépoussiérage, on doit suivre les étapes énumérées ci-dessous :

- Retirer le capuchon anti-poussière (T) en le tirant vers le haut;
- Insérer l'adaptateur du tube d'aspiration (JJ) dans l'orifice d'aspiration (KK), tel qu'illustré;
- Glisser l'extrémité du tube de n'importe quel aspirateur ordinaire (LL) sur l'adaptateur (JJ).
- Lorsqu'on se sert de cette fonction de dépoussiérage, on doit s'assurer que l'aspirateur est placé sur une surface stable et que le tube ne gêne pas les travaux.

## FONCTIONNEMENT DE TOUTES LES BASES

### Sens d'avance (Fig. 11)

Le sens d'avance est très important lors du toupillage, car il détermine la réussite ou l'échec d'un projet. Les figures de gauche montrent le sens d'avance à respecter lorsqu'on effectue certaines coupes ordinaires. En règle générale, on doit déplacer la toupie dans le sens antihoraire (vers la gauche) pour effectuer une coupe extérieure ou dans le sens horaire (vers la droite) pour réaliser une coupe intérieure.

Pour découper le bord extérieur d'un morceau de bois, suivre les étapes suivantes :

- Découper le bois de bout de gauche à droite
- Découper le côté à fil droit de gauche à droite
- Couper l'autre côté du bois de bout
- Terminer le côté à fil droit restant

### Sélection de la vitesse de toupillage (modèle DW618 seulement) (Fig. 12)

Se reporter au tableau fourni ci-dessus pour choisir la vitesse de toupillage appropriée. Tourner le bouton de réglage des vitesses (G) pour maîtriser la vitesse de toupillage.

## ENTRETIEN

### Nettoyage

▲ **AVERTISSEMENT** : Il est nécessaire d'éliminer régulièrement la poussière dans le carter du moteur à l'aide d'un jet d'air comprimé. De la poussière contenant des particules résultant du meulage du métal s'accumule souvent sur les surfaces intérieures et peut entraîner un choc électrique si on ne l'élimine pas fréquemment. TOUJOURS PORTER DES LUNETTES DE SÉCURITÉ.

▲ **MISE EN GARDE** : Ne jamais utiliser des solvants ou autres produits chimiques forts pour nettoyer les parties non métalliques de l'outil. N'utiliser qu'un chiffon propre et sec.

**REMARQUE CONCERNANT LA BASE PLONGEANTE SEULEMENT** : essayer les tiges de plongée au moyen d'un linge SEC seulement. Ces tiges ne requièrent aucune lubrification; les lubrifiants attirent la poussière et réduisent le rendement de l'outil.

## Accessoires

Les accessoires recommandés pour chaque outil sont vendus séparément chez les dépositaires locaux ou dans les centres de service autorisés. Pour obtenir plus d'information sur les accessoires, composer le numéro sans frais 1 800 433-9258 ou communiquer avec DeWALT Industrial Tool Co., 701 East Joppa Road, Baltimore, MD 21286, aux États-Unis.

▲ **MISE EN GARDE** : L'usage d'un accessoire non recommandé peut présenter un danger.

## Réparations

Pour assurer la SÉCURITÉ et la FIABILITÉ de ce produit, toutes les opérations de réparation, d'entretien et de réglage doivent être effectuées dans un centre de service autorisé ou par du personnel qualifié (cela comprend l'inspection et le remplacement du balaï); on ne doit utiliser que des pièces de rechange identiques.

### Garantie limitée de trois ans

DeWALT réparera, sans frais, tout produit défectueux causé par un défaut de matériel ou de fabrication pour une période de trois ans à compter de la date d'achat. La présente garantie ne couvre pas les pièces dont la défectuosité a été causée par une usure normale ou l'usage abusif de l'outil. Pour obtenir de plus amples renseignements sur les pièces ou les réparations couvertes par la présente garantie, visiter le site [www.dewalt.com](http://www.dewalt.com) ou composer le 1 800 433-9258 (1 800 4-DeWALT). Cette garantie ne s'applique pas aux accessoires et ne vise pas les dommages causés par des réparations effectuées par un tiers. Cette garantie confère des droits légaux particuliers à l'acheteur, mais celui-ci pourrait aussi bénéficier d'autres droits variant d'un état ou d'une province à l'autre.

En plus de la présente garantie, les outils DeWALT sont couverts par notre :

#### CONTRAT D'ENTRETIEN GRATUIT D'UN AN

DeWALT entretiendra l'outil et remplacera les pièces usées au cours d'une utilisation normale et ce, gratuitement, pendant une période d'un an à compter de la date d'achat, et la

#### GARANTIE DE REMBOURSEMENT DE 90 JOURS

Si l'acheteur n'est pas entièrement satisfait, pour quelque raison que ce soit, du rendement de l'outil électrique, du laser ou de la cloueuse DeWALT, celui-ci peut le retourner, accompagné d'un reçu, dans les 90 jours à compter de la date d'achat, pour obtenir un remboursement intégral, sans aucun problème.

**PRODUIT RÉNOVÉ** : Tout produit rénové est couvert par une garantie gratuite d'entretien d'un an. Les garanties de remboursement sous 90 jours et garantie limitée de trois ans ne s'appliquent pas aux produits rénovés.

**REPLACEMENT GRATUIT DE L'ÉTIQUETTE D'AVERTISSEMENT** : en cas de perte ou d'endommagement des étiquettes d'avertissement, composer le 1 800 433-9258 afin d'en obtenir de nouvelles sans frais.

## ¡CONSERVE ESTAS INSTRUCCIONES!

### Instrucciones generales de seguridad

¡**ADVERTENCIA!** Lea y comprenda todas las instrucciones. El no cumplir con todas las advertencias a continuación podría resultar en el riesgo de un choque eléctrico, incendio o de lesiones graves.

### CONSERVE ESTAS INSTRUCCIONES

#### ÁREA DE TRABAJO

▲ **Conserve su área de trabajo limpia y bien iluminada.** Las bancas amontonadas y las zonas oscuras propician los accidentes.

▲ **No opere herramientas eléctricas en atmósferas explosivas, como en presencia de líquidos, gases o polvos inflamables.** Las herramientas eléctricas producen chispas que pueden originar la ignición de los polvos o los vapores.

▲ **Conserve a observadores, niños y visitantes alejados mientras opera una herramienta eléctrica.** Las distracciones pueden ocasionar que pierda el control.

#### SEGURIDAD ELÉCTRICA

▲ **Las herramientas con conexión a tierra deben conectarse a una toma de corriente instalada y aterrizada correctamente de conformidad con todos los códigos y regulaciones locales. Nunca elimine la pata de conexión a tierra ni modifique la clavija en ninguna manera. No utilice clavijas adaptadoras. Consulte con un electricista calificado si tiene dudas acerca de la conexión correcta a tierra de su toma de corriente.** En el caso que la herramienta tuviese una falla eléctrica, la puesta a tierra proporciona una vía de baja resistencia para alejar la electricidad del usuario. Esta herramienta emplea una clavija con toma de tierra (de tres patas) que ofrece una vía para garantizar la seguridad del usuario en caso de que la herramienta presentase disfunciones eléctricas o averías, o si se diera el caso de que la carcasa de la herramienta condujese la electricidad. El deterioro o la desaparición de alguna de las tres patas de la clavija; el deterioro de la clavija o del cable, o el hecho de enchufar la herramienta a un sistema eléctrico que no esté verificado, ni conectado continuamente a tierra, puede ser causa de electrocución, lesiones graves o incluso muerte. Para evitar el riesgo de lesiones, la herramienta debe recibir un mantenimiento adecuado y estar siempre en perfectas condiciones de trabajo (cable, patas de la clavija), así como enchufada a un sistema eléctrico continuamente conectado a tierra. (Consulte también el apartado "Limpieza," en la sección de Mantenimiento)

▲ **Evite el contacto corporal con superficies aterrizadas tales como tuberías, radiadores, hornos y refrigeradores.** Hay un gran riesgo de choque eléctrico si su cuerpo hace tierra.

▲ **No exponga las herramientas eléctricas a la lluvia o a condiciones de mucha humedad.** El agua que se introduce en las herramientas aumenta el riesgo de descargas eléctricas.

▲ **No maltrate el cable. Nunca tome el cable para transportar una herramienta ni para desconectarla de la toma de corriente. Consérvelo alejado de calor, aceite, bordes afilados o piezas móviles.** Cambie inmediatamente los cables dañados. Los cables dañados aumentan el riesgo de choque eléctrico.

▲ **Cuando opere una herramienta eléctrica a la intemperie, utilice una extensión marcada "W-A" o "W".** Estas extensiones están clasificadas para uso a la intemperie y para reducir el riesgo de choques eléctricos.

#### CABLES DE EXTENSION

▲ **Asegúrese que su extensión esté en buenas condiciones. Cuando utilice una extensión, asegúrese de emplear una con el calibre suficiente para soportar la corriente necesaria para su producto.** Disminuciones en el voltaje mayores a 10% provocarán la pérdida de potencia y sobre calentamiento. Una extensión con calibre menor al necesario causará una caída en el voltaje de la línea, resultando en pérdida de potencia y sobre calentamiento. El cuadro siguiente muestra los calibres correctos para usarse de acuerdo con la longitud de la extensión y el amperaje especificado. Si tiene dudas, utilice el calibre siguiente, más pesado. Cuanto más pequeño el número de calibre del alambre, mayor la capacidad del cable.

Volts	Calibre mínimo para cordones de extensión				
	Longitud total del cordón en metros				
120V	0-7,6	7,6-15,2	15,2-30,4	30,4-45,7	
240V	0-15,2	15,2-30,4	30,4-60,9	60,9-91,4	
AMPERAJE					
Más de	No más de	Calibre del cordón AWG			
10	-	12	16	16	14 12
12	-	16	14	12	No recomendado

#### SEGURIDAD PERSONAL

▲ **Esté alerta, concéntrese en lo que está haciendo. Recurra al sentido común cuando opere una herramienta eléctrica. No opere ninguna herramienta si se encuentra fatigado o bajo la influencia de drogas, alcohol o medicamentos.** Un momento de desatención mientras se operan herramientas eléctricas puede ocasionar lesiones graves.

▲ **Vístase de manera adecuada. No tenga puestas ropas o artículos de joyería flojos. Cubra su cabello si lo tiene largo. Conserve su cabello, sus ropas y guantes aleja-**

**dos de las piezas móviles.**
Las piezas de vestir flojas, las joyas y el cabello largo pueden resultar atrapados por las piezas móviles.

▲ **Evite el encendido accidental. Asegúrese que el interruptor esté en posición de apagado antes de conectar.**
Sostener una herramienta con el dedo en el interruptor o conec-tarla sin fijarse si el interruptor está en posición de encendido propicia los accidentes.

▲ **Retire las llaves de ajuste antes de encender la herramienta.**
Una llave que se deja en una pieza giratoria puede ocasionar lesiones personales.

▲ **No se sobreexienda. Conserve siempre los pies bien apoyados, al igual que el equi-librio.**
La posición correcta de los pies y el equilibrio permiten controlar mejor la her-ramienta en situaciones inesperadas.

▲ **Utilice equipo de seguridad. Siempre utilice protección en los ojos.**
Se deben utilizar mascarillas contra polvo, zapatos antiderrapantes, casco o protectores para los oídos para tener las condiciones apropiadas.

#### USO Y CUIDADOS DE LA HERRAMIENTA

▲ **Utilice prensas u otros medios prácticos para asegurar y apoyar la pieza de trabajo en una plataforma estable.**
Sujetar las piezas con la mano o contra su cuerpo es inestable y puede originar la pérdida de control.

▲ **No fuerce la herramienta. Utilice la herramienta apropiada para su aplicación.**
La her-ramienta apropiada hará el trabajo mejor y de manera más segura bajo las especifica-ciones para las que se diseñó.

▲ **No utilice la herramienta si el interruptor no enciende y apaga.**
Cualquier herramienta que no pueda controlarse por medio del interruptores peligrosa y debe repararse.

▲ **Desconecte la clavija de la toma de corriente antes de hacer cualquier ajuste, cam-bio de accesorios o de guardar la herramienta.**
Tales medidas de seguridad preventivas reducirán el riesgo de que la herramienta se encienda accidentalmente.

▲ **Guarde las herramientas fuera del alcance de los niños y de otras personas no capacitadas.**
Las herramientas son peligrosas en manos de personas no capacitadas.

▲ **Cuide sus herramientas. Conserve las herramientas de corte afiladas y limpias.**
Las herramientas que reciben un mantenimiento adecuado, con piezas de corte afiladas, difí-cilmente se atascan y son más fáciles de controlar.

▲ **Verifique la alineación de las piezas móviles, busque fracturas en las piezas y cua-lesquiera otras condiciones que puedan afectar la operación de las herramientas.**
Si está dañada, lleve su herramienta a servicio antes de usarla de nuevo. Muchos accidentes se deben a herramientas con mantenimiento pobre.

▲ **Solamente use accesorios que el fabricante recomiende para su modelo de her-ramienta.**
Los accesorios que estén diseñados para una herramienta, pueden volverse pe-li-grosos cuando se emplean con otra.

#### SERVICIO

▲ **El servicio a las herramientas lo debe efectuar únicamente personal calificado.**
El servicio o mantenimiento realizado por personal no calificado puede originar riesgos de lesiones.

▲ **Cuando efectúe servicio a una herramienta, utilice únicamente refacciones idénti-cas.**
Siga las instrucciones de la sección de Mantenimiento de este manual. El empleo de piezas no autorizadas o no seguir las instrucciones de mantenimiento puede originar riegos de choque eléctrico o lesiones.

## Instrucciones de seguridad específicas para rebajadoras

▲ **Sujete la herramienta por las superficies aislantes cuando efectúe una operación en la que la que la herramienta de corte pueda hacer contacto con cableado oculto o con su propio cable.**
El contacto con un cable “vivo” hará que las partes metálicas expuestas de la herramienta “vivan” y descarguen al operador.

▲ **Corte de metales con el router:**
si utiliza el router para cortar metal, limpie con frecuencia la herramienta.
El polvo metálico y las virutas se acumulan a menudo en las superficies inte-riores y pueden suponer un riesgo de lesiones graves, electrocución e incluso muerte.

▲ **Nunca encienda la unidad del motor cuando no esté insertada en una de las bases de la rebajadora.**
El motor no está diseñado para sujetarlo a mano.

▲ **Conserve los mangos secos, limpios y libres de aceite y grasa.**
Esto le permitirá controlar mejor la herramienta.

▲ **Conserve las manos alejadas de la zona de corte. Nunca las coloque por debajo de la pieza de trabajo por ningún motivo. Conserve la base de la rebajadora en contacto firme con la pieza de trabajo cuando corte.**
Sujete la rebajadora única-mente por los mangos.
Estas precauciones reducen los riesgos de lesiones perso-nales.

▲ **Utilice cuchillas afiladas.**
Las cuchillas sin filo pueden ocasionar que la rebajadora se atore bajo presión.

▲ **Nunca toque las fresas después de utilizar la herramienta.**
Las fresas podrían estar sumamente calientes.

▲ **Asegúrese que el motor haya parado por completo antes de poner la herramienta.**
Si el cabezal de corte aún está en movimiento, podría ocasionar daño o lesiones personales.

▲ **Antes de encender el motor asegúrese que la fresa de la rebajadora no esté en con-tacto con el material de trabajo.**
Si la fresa está haciendo contacto con la pieza de traba-jo, podría hacer saltar la rebajadora y ocasionar daño o lesiones personales.

▲ **PRECAUCIÓN: Utilice la protección auditiva apropiada durante el uso de esta her-ramienta.**
Bajo algunas condiciones y duración de uso, el ruido producido por este producto puede contribuir a la pérdida auditiva.

▲ **ADVERTENCIA:**
Parte del polvo originado al lijår, aserrar, esmerilar, taladrar y otras activi-dades constructivas contiene químicos que se sabe causan cáncer, defectos congénitos u otros daños reproductivos.
Algunos ejemplos de estos químicos son:




- plomo de pinturas con base de plomo.
- sílice cristalino de ladrillos, cemento y otros productos de mampostería.
- arsénico y cromo de madera tratada químicamente (CCA).

Su riesgo a estas exposiciones varía, dependiendo de la frecuencia con que efectúe este tipo de trabajos.
Para reducir la exposición a estos productos:
trabaje en un área bien ventilada, y utilice equipo de seguridad aprobado, como las mascarillas que están diseñadas especial-mente para filtrar partículas microscópicas.

- Evite el contacto prolongado con el polvo originado al lijår, aserrar, esmerilar, tal-adrar y otras actividades constructivas. Vista ropas protectoras y lave las áreas expuestas con jabón y agua.**
Permitir al polvo introducirse en su boca u ojos, o dejarlo sobre la piel, puede promover la absorción de químicos peligrosos.

▲ **ADVERTENCIA:**
La utilización de esta herramienta puede originar polvo o dispersarlo, lo que podría causar daños graves y permanentes al sistema respiratorio, así como otras lesiones.
Siempre use protección respiratoria aprobada por NIOSH/OSHA, apropiada para su uso en condiciones de exposición al polvo.
Procure que las partículas no se proyecten directa-mente sobre su rostro o su cuerpo.

- La etiqueta de su herramienta puede incluir los siguientes símbolos.
A continuación se indi-can los símbolos y sus definiciones:

V	.....volts	A	.....amperes
Hz	.....hertz	W	.....watts
min	.....minutos	~	.....corriente alterna
====	.....corriente directa	no	.....velocidad sin carga
	.....construcción Clase II		.....terminales de conexión a tierra
.../min	....revoluciones por minuto		.....símbolo de alerta de seguridad

## FAMILIARÍCESE

### Motor

Su herramienta DeWALT funciona con un motor DeWALT.
Asegúrese que la alimentación concuerde con las indicaciones de la placa de identificación.

“120 V~” significa que su herramienta debe operarse solamente con corriente alterna.
Nunca conecte su herramienta a una fuente de corriente directa.
Todas las herramientas DeWALT se prueban en la fábrica; si esta herramienta no funciona, revise la alimentación de corriente.

### Interruptor

Para encender la herramienta, oprima el interruptor hacia la posición de encendido, indicada en la herramienta.
Para apagar la herramienta, oprima el interruptor hacia la posición de apa-gado indicada en la herramienta.

### Cable desmontable

Inserte la clavija del cable desmontable de manera que la llave (W) quede alineada con la muesca (V) en la toma.
Gire la llave un cuarto de vuelta en el sentido de las manecillas del reloj.

▲ **PRECAUCIÓN:**
Apague siempre la herramienta y desconecte la clavija de la toma de cor-riente antes de desmontar el cable de la herramienta.

▲ **PRECAUCIÓN:**
Deje siempre el interruptor en la posición de apagado cuando ponga o quite el cable del motor.
Si el interruptor está en la posición de encendido cuando el cable está conectado, la herramienta podría arrancar inesperadamente, ocasionando la pérdida de con-trol, lesiones personales, y/o daños a la herramienta o a la pieza de trabajo.

## AJUSTE: BASE FIJA

### Motor de liberación rápida (Fig. 2)

▲ **PRECAUCIÓN:**
Apague la rebajadora y desconéctela de la toma de corriente.

- Abra la palanca del seguro (D) de la base.
- Sujete la base con una mano, oprimiendo los cerrojos de liberación rápida (A).
- Con la otra mano, sujete la parte superior de la unidad del motor y levántela de la base.

### Inserción del motor en la base fija (Fig. 3)

▲ **PRECAUCIÓN:**
Apague la rebajadora y desconéctela de la toma de corriente.

- Abra la palanca del seguro (D) de la base.
- Si el anillo de ajuste de profundidad (B) no está en el motor, enrósquelo en el motor hasta que quede a medio camino entre la parte superior y la parte inferior del motor, como se muestra. Inserte el motor en la base alineando el canal del motor (H) con los pernos guía (X) de la base. Deslice el motor hacia abajo hasta que el anillo de ajuste de profundidad asiente en los cerrojos de liberación rápida (A).

**NOTA:**
Los canales del motor se localizan a cada lado de éste, de manera que pueda orien-tarse hacia ambos lados.

- Ajuste la profundidad de corte girando el anillo de ajuste de profundidad. Consulte la sec-ción Ajuste de la profundidad de corte.
- Cierre la palanca del seguro (D) cuando haya logrado la profundidad deseada. Para obtener información sobre la manera de fijar la profundidad de corte, consulte Ajuste de la profundidad de corte en la sección **OPERACIÓN - BASE FIJA** de este manual.

### Ajuste de la palanca del seguro (Fig. 4)

▲ **PRECAUCIÓN:**
Apague la rebajadora y desconéctela de la toma de corriente.

Usted debe poder cerrar la palanca de seguridad sin hacer fuerza excesiva.
La fuerza excesiva puede dañar la base.
Usted no debe poder mover el motor en la base cuando la palanca de seguridad esté cerrada.
Para ajustar la fuerza con la que se cierra la palanca de seguridad, abra la palanca (D) y gire la tuerca (Y) en pequeños incrementos.
Para apretar la palanca, gire en el sentido de las manecillas del reloj, para aflojar la palanca, gire la tuerca en sentido opuesto a las manecillas del reloj.

### Centrado de la sub base (Fig. 5)

▲ **PRECAUCIÓN:**
Apague la rebajadora y desconéctela de la toma de corriente.

Si necesita ajustar, cambiar, o colocar de nuevo la sub base, le proporcionamos una her-ramienta de centrado.
La herramienta de centrado consiste de un cono y in perno.
Para ajust-ar la sub base, siga los pasos enumerados a continuación.

- Afloje pero no quite los tornillos de la sub base de manera que ésta se pueda mover libremente.
- Inserte el perno en la mordaza y apriete la tuerca de la mordaza.
- Inserte el motor en la base y fije la palanca de seguridad en la base.
- Coloque el cono en el perno y presione ligeramente hacia abajo en el cono hasta que se detenga como se muestra. Esto centrará la sub base.
- Mientras sujeta el cono abajo, apriete los tornillos de la sub base.

## OPERACIÓN: BASE FIJA

### Instalación y desmontaje de cuchillas (Fig. 6)

▲ **PRECAUCIÓN:**
Apague la rebajadora y desconéctela de la toma de corriente.

1. Para instalar una cuchilla, inserte el vástago cilíndrico de la cuchilla deseada en la mordaza floja tanto como sea posible y después tire de ella aproximadamente 1.5 mm. Usando la(s) llave(s) que se le proporciona(n), gire la tuerca de la mordaza (J) en el sentido de las manecillas del reloj mientras sujeta el eje de la flecha con la segunda llave. [En el 618, oprima el botón del seguro de la flecha (I) para sujetar el eje de la flecha.]

2. Para sacar una cuchilla, sujete la flecha mientras gira la tuerca de la mordaza (J) en sen-tido opuesto a las manecillas del reloj con la llave que se le proporciona. [Sujete la flecha oprimiendo el botón del seguro (I) en el modelo 618.]
La tuerca de liberación automática girará aproximadamente 3/4 de vuelta y entonces se apretará de nuevo.
En este punto la cuchilla ya no podrá sacarse.
Continúe girando la tuerca en sentido contrario de las agujas del reloj. Esto levanta la mordaza, permitiendo sacar la cuchilla.

### Mordazas

**NOTA:**
nunca apriete la mordaza sin antes haber instalado una cuchilla en ella.
Apretar una mordaza vacía, aún a mano, puede dañarla.

Se incluyen dos mordazas con el motor: una de 1/4" y otra de 1/2".
Para cambiar de mor-dazas, destornille el sub ensamble de la mordaza como se describe anteriormente.
Instale la mordaza que desee invirtiendo el procedimiento.
La mordaza y la tuerca de la mordaza están conectadas.
No intente separar la mordaza de la tuerca.

### Ajuste de la profundidad de corte (Fig. 2 &3)

▲ **PRECAUCIÓN:**
Apague la rebajadora y desconéctela de la toma de corriente.

- Seleccione e instale la cuchilla que desee. Consulte la sección **Instalación y Desmontaje de Cuchillas**.
- Coloque la rebajadora en su base sobre la pieza de trabajo.
- Abra la palanca del seguro (D) y gire el anillo de ajuste de profundidad (B) hasta que la cuchilla toque apenas la pieza de trabajo. Girar el anillo en el sentido de las manecillas del reloj levanta la cabeza de corte mientras que girarlo en sentido opuesto a las manecillas del reloj baja la cabeza de corte.
- Mueva la escala ajustable (C) de manera que el 0 quede por arriba del indicador (Z) de la base.
- Gire el anillo de ajuste de profundidad junto con la escala ajustable hasta la profundidad deseada. Note que cada marca en la escala ajustable representa un cambio en la pro-fundidad de 0.4 mm (1/64").
- Cierre la palanca del seguro (D).

### Uso de la guía paralela

Hay guías paralelas con el distribuidor o en el centro de servicio de su localidad con costo adi-cional.
Siga las instrucciones de ensamblaje incluidas con la guía.
Inserte las dos barras a través de los orificios para la guía en la base de la rebajadora.
Ajuste como se requiera para rebajado paralelo.

## OPERACIÓN: BASE CON MANGO EN D

### Liberación rápida del motor

▲ **PRECAUCIÓN:**
Apague la rebajadora y desconéctela de la toma de corriente.

- Abra la palanca del seguro (D) de la base.
- Sujete la base con una mano, oprimiendo los cerrojos de liberación rápida (A).
- Con la otra mano, sujete la parte superior de la unidad del motor y levántela de la base.

### Inserción del motor en la base con mango en D (Fig. 7)

▲ **PRECAUCIÓN:**
Apague la rebajadora y desconéctela de la toma de corriente.

- Abra la palanca del seguro (D) de la base.
- Enrosque el anillo de ajuste de profundidad (B) en el motor hasta que quede a medio camino entre la parte superior y la parte inferior del motor, como se muestra. Inserte el motor en la base alineando el canal del motor (H) con los pernos guía (X) de la base. Deslice el motor hacia abajo hasta que el anillo de ajuste de profundidad asiente en los cerrojos de liberación rápida (A).
- Cierre la palanca del seguro cuando haya logrado la profundidad deseada. Para obtener información sobre la manera de fijar la profundidad de corte, consulte **Ajuste de la Profundidad de Corte** en la sección **OPERACIÓN - BASE CON MANGO EN D** de este manual.
- Asegúrese de que el interruptor de gatillo (N) esté libre y el botón del seguro del gatillo esté en la posición desasegurada y de apagado.
- Desasegure y desconecte el cable desmontable (L) del motor.
- Conecte el cable desmontable (L) en la parte inferior del mango en D y asegúrelo.
- Conecte el cable corte (AA) de la parte superior del mango al motor como se muestra. Cerciórese de que el cable quede asegurado.
- Coloque el interruptor en la posición de encendido. Esto permitirá al gatillo en el mango en D controlar la rebajadora.

### Ajuste de la palanca del seguro (Fig. 4)

▲ **PRECAUCIÓN:**
Apague la rebajadora y desconéctela de la toma de corriente.

Usted debe poder cerrar la palanca de seguridad sin hacer fuerza excesiva.
La fuerza excesiva puede dañar la base.
Usted no debe poder mover el motor en la base cuando la palanca de seguridad esté cerrada.
Para ajustar la fuerza con la que se cierra la palanca de seguridad, abra la palanca (D) y gire la tuerca (Y) en pequeños incrementos.
Para apretar la palanca, gire en el sentido de las manecillas del reloj, para aflojar la palanca, gire la tuerca en sen-tido opuesto a las manecillas del reloj.

### Centrado de la sub base (Fig. 5)

▲ **PRECAUCIÓN:**
Apague la rebajadora y desconéctela de la toma de corriente.

Si necesita ajustar, cambiar, o colocar de nuevo la sub base, le proporcionamos una her-ramienta de centrado.
La herramienta de centrado consiste de un cono y in perno.
Para ajust-ar la sub base, siga los pasos enumerados a continuación.

- Afloje pero no quite los tornillos de la sub base de manera que ésta se pueda mover libre-mente.
- Inserte el perno en la mordaza y apriete la tuerca de la mordaza.
- Inserte el motor en la base y fije la palanca de seguridad en la base.
- Coloque el cono en el perno y presione ligeramente hacia abajo en el cono hasta que se detenga como se muestra a la derecha. Esto centrará la sub base.
- Mientras sujeta el cono abajo, apriete los tornillos de la sub base.

## OPERACIÓN: BASE EN D

### Localización de las perillas

Sujete el mango en d con una mano y coloque la otra mano en el mango redondo.
La base de la rebajadora con mango en D tiene dos posiciones posibles para acomodarse a uso dere-cho o izquierdo.

▲ **PRECAUCIÓN:**
Utilice ambas manos en todo momento para conservar el control.

### Seguro del gatillo

Para asegura r el gatillo, oprima completamente el gatillo interruptor (N) y después oprima el botón del seguro del gatillo (O).
La rebajadora permanecerá encendida después de que usted quite su dedo del gatillo.
Para desasegurar el botón del seguro del gatillo, oprima el gatillo y suéltelo.
El botón del seguro saldrá y la rebajadora se apagará.

### Instalación y desmontaje de cuchillas (Fig. 6)

▲ **PRECAUCIÓN:**
Apague la rebajadora y desconéctela de la toma de corriente.

- Para instalar una cuchilla, inserte el vástago cilíndrico de la cuchilla deseada en la mor-daza floja tanto como sea posible y después tire de ella aproximadamente 1.5 mm. Usando la(s) llave(s) que se le proporciona(n), gire la tuerca de la mordaza (J) en el sen-tido de las manecillas del reloj mientras sujeta el eje de la flecha con la segunda llave. [En el 618, oprima el botón del seguro de la flecha (I) para sujetar el eje de la flecha.]
- Para sacar una cuchilla, sujete la flecha mientras gira la tuerca de la mordaza (J) en sen-tido opuesto a las manecillas del reloj con la llave que se le proporciona. [Sujete la flecha oprimiendo el botón del seguro (I) en el modelo 618.]
La tuerca de liberación automática girará aproximadamente 3/4 de vuelta y entonces se apretará de nuevo.
En este punto la cuchilla ya no podrá sacarse.
Continúe girando la tuerca en sentido contrario de las agujas del reloj. Esto levanta la mordaza, permitiendo sacar la cuchilla.

### Mordazas

**NOTA:**
nunca apriete la mordaza sin antes haber instalado una cuchilla en ella.
Apretar una mordaza vacía, aún a mano, puede dañarla.

Se incluyen dos mordazas con el motor: una de 1/4" y otra de 1/2".
Para cambiar de mor-dazas, destornille el sub ensamble de la mordaza como se describe anteriormente.
Instale la mordaza que desee invirtiendo el procedimiento.
La mordaza y la tuerca de la mordaza están conectadas.
No intente separar la mordaza de la tuerca.

### Ajuste de la profundidad de corte (Fig. 3)

▲ **PRECAUCIÓN:**
Apague la rebajadora y desconéctela de la toma de corriente.

- Seleccione e instale la cuchilla que desee. Consulte la sección **Instalación y Desmontaje de Cuchillas**.
- Coloque la rebajadora en su base sobre la pieza de trabajo.
- Abra la palanca del seguro (D) y gire el anillo de ajuste de profundidad (B) hasta que la cuchilla toque apenas la pieza de trabajo. Girar el anillo en el sentido de las manecillas del reloj levanta la cabeza de corte mientras que girarlo en sentido opuesto a las manecillas del reloj baja la cabeza de corte.
- Mueva la escala ajustable (C) de manera que el 0 quede por arriba del indicador (Z) de la base.
- Gire el anillo de ajuste de profundidad junto con la escala ajustable hasta la profundidad deseada. Note que cada marca en la escala ajustable representa un cambio en la pro-fundidad de 0.4 mm (1/64").
- Cierre la palanca del seguro (D).

### Uso de la guía paralela

Hay guías paralelas (DW6913) con el distribuidor o en el centro de servicio de su localidad con costo adicional.
Siga las instrucciones de ensamblaje incluidas con la guía.
Inserte las dos barras a través de los orificios para la guía en la base de la rebajadora.
Ajuste como se requiera para rebajado paralelo.

## AJUSTE: BASE DE PENETRACIÓN (Fig. 8)

### Liberación rápida del motor

▲ **PRECAUCIÓN:**
Apague la rebajadora y desconéctela de la toma de corriente.

- Abra la palanca del seguro (D) de la base.
- Sujete la parte superior del motor y sáquelo de la base.

### Inserción del motor en la base de penetración

▲ **PRECAUCIÓN:**
Apague la rebajadora y desconéctela de la toma de corriente.

- Retire el anillo de ajuste de profundidad del motor. Este no se utiliza con la base de pen-etración.
- Abra la palanca del seguro (D) de la base para asegurar que el motor asiente debida-mente.
- Asegúrese de que la palanca del seguro de penetración (R) esté cerrada.

4. Haga coincidir la parte plana del extremo superior del motor (BB) con el pilar (CC) e inserte el motor en la base de penetración hasta que tope.

5. Cierre la palanca del seguro (D).

### Ajuste de la palanca del seguro (Fig. 4)

⚠ **PRECAUCIÓN:** Apague la rebajadora y desconéctela de la toma de corriente.

Usted debe poder cerrar la palanca de seguridad sin hacer fuerza excesiva. La fuerza excesiva puede dañar la base. Usted no debe poder mover el motor en la base cuando la palanca de seguridad esté cerrada. Para ajustar la fuerza con la que se cierra la palanca de seguridad, abra la palanca (D) y gire la tuerca (Y) en pequeños incrementos. Para apretar la palanca, gire en el sentido de las manecillas del reloj, para aflojar la palanca, gire la tuerca en sentido opuesto a las manecillas del reloj.

### Centrado de la sub base (Fig. 5)

⚠ **PRECAUCIÓN:** Apague la rebajadora y desconéctela de la toma de corriente.

Si necesita ajustar, cambiar, o colocar de nuevo la sub base, le proporcionamos una herramienta de centrado. La herramienta de centrado consiste de un cono y un perno. Para ajustar la sub base, siga los pasos enumerados a continuación.

1. Afloje pero no quite los tornillos de la sub base de manera que ésta se pueda mover libremente.
2. Inserte el perno en la mordaza y apriete la tuerca de la mordaza.
3. Inserte el motor en la base y fije la palanca de seguridad en la base.
4. Coloque el cono en el perno y presione ligeramente hacia abajo en el cono hasta que se detenga como se muestra a la derecha. Esto centrará la sub base.
5. Mientras sujeta el cono abajo, apriete los tornillos de la sub base.

## OPERACIÓN: BASE DE PENETRACIÓN

### Instalación y desmontaje de cuchillas (Fig. 6)

⚠ **PRECAUCIÓN:** Apague la rebajadora y desconéctela de la toma de corriente.

1. Para instalar una cuchilla, inserte el vástago cilíndrico de la cuchilla deseada en la mordaza floja tanto como sea posible y después tire de ella aproximadamente 1.5 mm. Usando la(s) llave(s) que se le proporciona(n), gire la tuerca de la mordaza (J) en el sentido de las manecillas del reloj mientras sujeta el eje de la flecha con la segunda llave. [En el 618, oprima el botón del seguro de la flecha (I) para sujetar el eje de la flecha.]
2. Para sacar una cuchilla, sujete la flecha mientras gira la tuerca de la mordaza (J) en sentido opuesto a las manecillas del reloj con la llave que se le proporciona. [Sujete la flecha oprimiendo el botón del seguro (I) en el modelo 618.] La tuerca de liberación automática girará aproximadamente 3/4 de vuelta y entonces se apretará de nuevo. En este punto la cuchilla ya no podrá sacarse. Continúe girando la tuerca en sentido contrario de las agujas del reloj. Esto levanta la mordaza, permitiendo sacar la cuchilla.

### Mordazas

**NOTA:** nunca apriete la mordaza sin antes haber instalado una cuchilla en ella. Apretar una mordaza vacía, aún a mano, puede dañarla.

Se incluyen dos mordazas con el motor: una de 1/4" y otra de 1/2". Para cambiar de mordazas, destornille el sub ensamble de la mordaza como se describe anteriormente. Instale la mordaza que desee invirtiendo el procedimiento. La mordaza y la tuerca de la mordaza están conectadas. No intente separar la mordaza de la tuerca.

### Ajuste de la profundidad de penetración (Fig. 8)

⚠ **PRECAUCIÓN:** Apague la rebajadora y desconéctela de la toma de corriente.

1. Desconecte el mecanismo de penetración empujando la palanca del seguro de penetración (R) hacia arriba. Baje la rebajadora tanto como sea posible, esperando a que la cuchilla haga contacto apenas con la superficie de trabajo.
2. Asegure el mecanismo de penetración empujando la palanca del seguro de penetración (R) hacia abajo.
3. Afloje la varilla de ajuste de profundidad (Q) girando la mariposa (DD) en sentido opuesto a las manecillas del reloj.
4. Deslice la varilla de ajuste de profundidad (Q) hacia abajo de manera que se encuentre con el tope de torreta más bajo (P).
5. Deslice la lengüeta (EE) hacia abajo de la varilla de ajuste de profundidad de manera que la parte superior de ella coincida con el cero en la escala del pilar (FF).
6. Sujetando la sección moleteada superior de la varilla de ajuste de profundidad (Q), deslicela hacia arriba de manera que la lengüeta (EE) coincida con la profundidad de corte deseada en la escala del pilar (EE).
7. Apriete la mariposa (DD) para sujetar la varilla de ajuste de profundidad en su lugar.
8. Con ambas manos en los mangos, desasegure el mecanismo de penetración empujando la palanca del seguro de penetración (R) hacia arriba. El mecanismo de penetración y el motor se moverán hacia arriba. Cuando la rebajadora esté abajo, la varilla de ajuste de profundidad hará contacto con el tope de torreta, permitiendo que la rebajadora alcance la profundidad deseada.

### Ajuste fino de la profundidad de rebajado

⚠ **PRECAUCIÓN:** Apague la rebajadora y desconéctela de la toma de corriente.

La perilla moleteada (GG) que se encuentra en la parte inferior de la varilla de ajuste de profundidad puede utilizarse para hacer ajustes menores.

1. Para disminuir la profundidad de corte, gire la perilla en el sentido de las manecillas del reloj (viendo hacia abajo desde la parte superior de la rebajadora).
2. Para aumentar la profundidad de corte, gire la perilla en sentido opuesto a las manecillas del reloj.

**NOTA:** Una vuelta completa de la perilla resulta en un cambio de aproximadamente 1 mm (5/128" o 0.04") en la profundidad.

### Uso de la torreta giratoria de tope (Fig. 9)

El tope de torreta puede utilizarse para fijar 5 profundidades diferentes. Uno de los topes de torreta es ajustable. Para usar el tope ajustable, afloje la tuerca (HH), después ajuste el tornillo (II) a la altura deseada. Al girar en sentido opuesto a las manecillas del reloj se sube el tornillo, lo que disminuirá la profundidad de corte. El tope de torreta es útil para hacer cortes profundos en varias pasadas.

⚠ **ADVERTENCIA:** No cambie el tope de torreta mientras la rebajadora esté en funcionamiento. Esto dejará sus manos demasiado cerca de la cabeza de corte.

### Corte con la base de penetración (Fig. 8)

⚠ **PRECAUCIÓN:** Encienda la rebajadora antes de que la cabeza de corte penetre en la pieza de trabajo.

1. Desasegure la palanca del seguro de penetración (R).
2. Baje el motor de la rebajadora hasta que la cuchilla alcance la profundidad ajustada.
3. Asegure la palanca del seguro de penetración (R).
4. Haga el corte.
5. Desasegure la palanca del seguro de penetración. Esto permitirá que la cuchilla de la rebajadora salga de la pieza de trabajo.
6. Apague la rebajadora.

### Extracción de polvo (Fig. 10)

⚠ **PRECAUCIÓN:** apague la rebajadora y desconéctela de la toma de corriente.

Para conectar la rebajadora a una aspiradora para extraer el polvo, siga estos pasos:

1. Quite la tapa para polvo (T) tirando hacia arriba.
2. Inserte el adaptador para extracción de polvo (II) en el puerto de extracción de polvo (JJ) como se muestra.
3. Inserte el extremo del tubo de una aspiradora (KK) en el adaptador para la manguera.
4. Cuando utilice la extracción de polvo, esté consciente de la colocación de la aspiradora. Asegúrese de que la aspiradora esté estable y de que la manguera no interfiera con la pieza de trabajo.

## OPERACIÓN: TODAS LAS BASES

### Dirección de alimentación (Fig. 11)

La dirección de alimentación es muy importante cuando rebaje y puede hacer la diferencia entre un trabajo exitoso y un proyecto arruinado. Los números muestran la dirección de alimentación apropiada para algunos cortes típicos. Una regla general a seguir es mover la rebajadora en sentido contrario a las manecillas del reloj para cortes exteriores y en el sentido de las manecillas del reloj para cortes interiores.

Para dar forma a los bordes de una pieza, siga estos pasos:

1. Dé forma al extremo rugoso, de izquierda a derecha
2. Dé forma a la cara lisa moviendo de izquierda a derecha
3. Corte el otro extremo rugoso.
4. Termine con el extremo liso que falta

### Selección de velocidad (únicamente DW618) (Fig. 12)

Consulte la tabla anterior para seleccionar una velocidad para la rebajadora. Gire el selector de velocidad (G) para controlar la velocidad de la rebajadora.

## MANTENIMIENTO

### Limpieza

⚠ **ADVERTENCIA:** El soplado del polvo y las virutas fuera de la carcasa del motor mediante aire comprimido limpio y seco es un procedimiento de mantenimiento periódico necesario. El polvo y las virutas, que contienen partículas metálicas, se acumulan a menudo en las superficies interiores y podrían ocasionar un accidente eléctrico o una electrocución si no se eliminan con frecuencia. UTILICE SIEMPRE LENTES DE SEGURIDAD.

⚠ **PRECAUCIÓN:** Nunca utilice disolventes ni otros productos químicos agresivos para limpiar las partes no metálicas de la herramienta. Utilice únicamente un trapo limpio y seco.

**NOTA PARA LA BASE DE PENETRACIÓN ÚNICAMENTE:** Utilice únicamente un trapo SECO para limpiar las varillas de penetración. Los lubricantes atraen el polvo, afectando el desempeño de su herramienta.

### Accesorios

Los accesorios recomendados para emplearse con su herramienta se encuentran a su disposición con costo extra con su distribuidor o centro de servicio locales.

Si necesita ayuda para localizar algún accesorio, comuníquese por favor al 1-800-4-DEWALT o a DEWALT Industrial Tool Co., 701 East Joppa Road, Baltimore, MD 21286.

⚠ **PRECAUCIÓN:** el uso de cualquier accesorio no recomendado puede ser peligroso.

### Reparaciones

Para garantizar la SEGURIDAD y la CONFIABILIDAD, deberán hacerse reparaciones, mantenimiento y ajustes de esta herramienta en los centros autorizados de servicio DEWALT u otras organizaciones autorizadas. Estas organizaciones prestan servicio a las herramientas DEWALT y emplean siempre refacciones legítimas DEWALT.

### Póliza de Garantía

IDENTIFICACIÓN DEL PRODUCTO:

Sello o firma del Distribuidor.

Nombre del producto: \_\_\_\_\_ Mod./Cat.: \_\_\_\_\_

Marca: \_\_\_\_\_ Núm. de serie: \_\_\_\_\_

(Datos para ser llenados por el distribuidor)

Fecha de compra y/o entrega del producto: \_\_\_\_\_

Nombre y domicilio del distribuidor donde se adquirió el producto: \_\_\_\_\_

Para hacer efectiva esta garantía deberá presentar su herramienta y esta póliza sellada por el establecimiento comercial donde se adquirió el producto, de no contar con ésta, bastará la factura de compra.

### EXCEPCIONES.

Esta garantía no será válida en los siguientes casos:

- Cuando el producto se hubiese utilizado en condiciones distintas a las normales;
- Cuando el producto no hubiese sido operado de acuerdo con el instructivo de uso que se acompaña;
- Cuando el producto hubiese sido alterado o reparado por personas distintas a las enlistadas al final de este certificado.

Anexo encontrará una relación de sucursales de servicio de fábrica, centros de servicio autorizados y franquiciados en la República Mexicana, donde podrá hacer efectiva su garantía y adquirir partes, refacciones y accesorios originales.

### Garantía limitada por tres años

DEWALT reparará, sin cargo, cualquier falla que surja de defectos en el material o la fabricación del producto, por hasta tres años a contar de la fecha de compra. Esta garantía no cubre fallas de las piezas causadas por su desgaste normal o abuso a la herramienta. Para mayores detalles sobre la cobertura de la garantía e información acerca de reparaciones realizadas bajo garantía, visítenos en [www.dewalt.com](http://www.dewalt.com) o diríjase al centro de servicio más cercano. Esta garantía no aplica a accesorios o a daños causados por reparaciones realizadas o intentadas por terceros. Esta garantía le otorga derechos legales específicos, además de los cuales puede tener otros dependiendo del estado o provincia en que se encuentre.

Además de la garantía, las herramientas DEWALT están cubiertas por:

#### 1 AÑO DE SERVICIO GRATUITO

DEWALT mantendrá la herramienta y reemplazará las piezas gastadas por su uso normal, sin cobro, en cualquier momento durante un año a contar de la fecha de compra.

#### GARANTÍA DE REEMBOLSO DE SU DINERO POR 90 DÍAS

Si no está completamente satisfecho con el desempeño de su máquina herramienta, láser o clavadora DEWALT, cualquiera sea el motivo, podrá devolverlo hasta 90 días de la fecha de compra con su recibo y obtener el reembolso completo de su dinero – sin necesidad de responder a ninguna pregunta.

**PRODUCTO REACONDICIONADO:** Los productos reacondicionados están cubiertos bajo la Garantía de 1 Año de Servicio Gratuito. La Garantía de 90 Días de Reembolso de su Dinero y la Garantía Limitada de Tres Años no aplican a productos reacondicionados.

**SUSTITUCIÓN GRATUITA DE LAS ETIQUETAS DE ADVERTENCIA:** Si las etiquetas de advertencia se vuelven ilegibles o se pierden, llame al 1-800-4-DEWALT para conseguir gratuitamente otras de repuesto.

#### PARA REPARACIÓN Y SERVICIO DE SUS HERRAMIENTAS ELÉCTRICAS, FAVOR DE DIRIGIRSE AL CENTRO DE SERVICIO MÁS CERCANO

<b>CULIACAN, SIN</b> Av. Nicolás Bravo #1063 Sur - Col. Industrial Bravo	(667) 7 12 42 11
<b>GUADALAJARA, JAL</b> Av. La Paz #1779 - Col. Americana Sector Juárez	(33) 3825 6978
<b>MEXICO, D.F.</b> Eje Central Lázaro Cárdenas No. 18 Local D, Col. Obrera	(55) 5588 9377
<b>MERIDA, YUC</b> Calle 63 #459-A - Col. Centro	(999) 928 5038
<b>MONTERREY, N.L.</b> Av. Francisco I. Madero No.831 - Col. Centro	(81) 8375 2313
<b>PUEBLA, PUE</b> 17 Norte #205 - Col. Centro	(222) 246 3714
<b>QUERETARO, QRO</b> Av. Madero 139 Pte. - Col. Centro	(442) 214 1660
<b>SAN LUIS POTOSI, SLP</b> Av. Universidad 1525 - Col. San Luis	(444) 814 2383
<b>TORREON, COAH</b> Blvd. Independencia, 96 Pte. - Col. Centro	(871) 716 5265
<b>VERACRUZ, VER</b> Prolongación Díaz Mirón #4280 - Col. Remes	(229) 921 7016
<b>VILLAHERMOSA, TAB</b> Constitución 516-A - Col. Centro	(993) 312 5111

**PARA OTRAS LOCALIDADES LLAME AL: (55) 5326 7100**

#### Información Técnica

<b>DW616</b>	
Tensión de alimentación:	120 V AC ~
Consumo de corriente:	11 A
Frecuencia de alimentación:	50/60 Hz
Potencia nominal:	1 300 W
Rotación sin carga:	24 500/min

<b>DW618</b>	
Tensión de alimentación:	120 V AC ~
Consumo de corriente:	12 A
Frecuencia de alimentación:	50/60 Hz
Potencia nominal:	1 675 W
Rotación sin carga:	8 000 - 24 000/min

IMPORTADOR: DEWALT S.A. DE C.V.  
BOSQUES DE CIDROS ACCESO RADIATAS NO. 42  
COL. BOSQUES DE LAS LOMAS, 3A. SECCIÓN, CP 05120  
DELEGACIÓN CUAJIMALPA, MÉXICO, D.F.  
TEL. 5 326 7100  
R.F.C.: BDE810626-1W7

Para servicio y ventas consulte  
"HERRAMIENTAS ELÉCTRICAS"  
en la sección amarilla.



## Free Manuals Download Website

<http://myh66.com>

<http://usermanuals.us>

<http://www.somanuals.com>

<http://www.4manuals.cc>

<http://www.manual-lib.com>

<http://www.404manual.com>

<http://www.luxmanual.com>

<http://aubethermostatmanual.com>

Golf course search by state

<http://golfingnear.com>

Email search by domain

<http://emailbydomain.com>

Auto manuals search

<http://auto.somanuals.com>

TV manuals search

<http://tv.somanuals.com>