



# ROUTER TABLE

RT300  
INSTRUCTION MANUAL

**GMC**<sup>®</sup>  
**GLOBAL MACHINERY COMPANY**

Black	Magenta	Code: RT300		
Cyan	Yellow	Date: 060907	Edition: 06	Op: BR

用本处所有显示的颜色打印包装材料。Print manuals using all links shown here.

# Contents

<b>Warranty</b>	<b>2</b>
<b>Introduction</b>	<b>3</b>
<b>Description of symbols</b>	<b>3</b>
<b>Specifications</b>	<b>3</b>
<b>Safety instructions</b>	<b>4</b>
<b>Additional safety rules for router tables</b>	<b>5</b>
<b>Assembly</b>	<b>6</b>
<b>Unpacking</b>	<b>7</b>
<b>Know your product</b>	<b>8</b>
<b>Attaching the legs</b>	<b>9</b>
<b>Attaching the switch box</b>	<b>9</b>
<b>Securing the table to a work bench</b>	<b>9</b>
<b>Attaching the fence to the table</b>	<b>9</b>
<b>Attaching the infeed and outfeed fence</b>	<b>10</b>
<b>Attaching the guard to the fence</b>	<b>10</b>
<b>Adjusting the mitre gauge</b>	<b>10</b>
<b>Mounting an R1200 router</b>	<b>10</b>
<b>Mounting a router other than the R1200</b>	<b>11</b>
<b>Attaching a table insert</b>	<b>11</b>
<b>Operation</b>	<b>12</b>
<b>Adjusting the depth of cut</b>	<b>12</b>
<b>Using the starting pin</b>	<b>12</b>
<b>Adjusting the fence</b>	<b>12</b>
<b>Direction of feed</b>	<b>12</b>
<b>Maintenance</b>	<b>13</b>

## Warranty Powertools

Whilst every effort is made to ensure your complete satisfaction with this tool, occasionally, due to the mass manufacturing techniques, a tool may not live up to our required level of performance and you may need the assistance of our service department.

This product is warranted for a 2-year period for home domestic use from the date of the original purchase. If found to be defective in materials or workmanship, the tool or the offending faulty component will be repaired or replaced free of charge with another of the same item. A small freight charge may apply. Proof of purchase is essential. We reserve the right to reject any claim where the purchase cannot be verified.

This warranty does not include damage or defects to the tool caused by or resulting from abuse, accidents, alterations or commercial or business use. It also does not cover any bonus items or included accessories. Only the powertool is covered under this warranty.

With continuing product development, changes may have occurred which render the product received slightly different to that shown in this instruction manual.

Please ensure that you store your receipt in a safe place.

Conditions apply to the above warranty. For full details of the warranty terms and conditions please refer to our website – [www.gmcompany.com](http://www.gmcompany.com)

For prompt service we suggest you log your service request online - [www.gmcservice.com.au](http://www.gmcservice.com.au), should you not have access to the internet, please contact our service department on 1300 880 001 (Australia) or 0800 445 721 (New Zealand).

## Introduction

Your new GMC power tool will more than satisfy your expectations. It has been manufactured under stringent GMC Quality Standards to meet superior performance criteria.

You will find your new tool easy and safe to operate, and, with proper care, it will give you many years of dependable service.

**CAUTION.** Carefully read through this entire Instruction Manual before using your new GMC Power Tool. Take special care to heed the Cautions and Warnings.

Your GMC power tool has many features that will make your job faster and easier. Safety, performance, and dependability have been given top priority in the development of this tool, making it easy to maintain and operate.

## Environmental protection



Recycle unwanted materials instead of disposing of them as waste. All tools, hoses and packaging should be sorted, taken to the local recycling centre and disposed of in an environmentally safe way.

## Description of symbols

The rating plate on your tool may show symbols. These represent important information about the product or instructions on its use.



Wear hearing protection.  
Wear eye protection.  
Wear breathing protection.

## Specifications

Table size:	360mm x 660mm
Table height:	350mm
Fence width:	610mm
Maximum cutter diameter:	52mm

## General safety instructions

To use this tool properly, you must observe the safety regulations, the assembly instructions and the operating instructions to be found in this Manual. All persons who use and service the machine have to be acquainted with this Manual and must be informed about its potential hazards. Children and infirm people must not use this tool. Children should be supervised at all times if they are in the area in which the tool is being used. It is also imperative that you observe the accident prevention regulations in force in your area. The same applies for general rules of occupational health and safety.

**WARNING.** When using power tools, basic safety precautions should always be taken to reduce the risk of fire, electric shock and personal injury. Also, please read and heed the advice given in the additional important safety instructions.

- 1. Keep the work area clean and tidy.** Cluttered work areas and benches invite accidents and injury.
- 2. Consider the environment in which you are working.** Do not use power tools in damp or wet locations. Keep the work area well lit. Do not expose power tools to rain. Do not use power tools in the presence of flammable liquids or gases.
- 3. Keep visitors away from the work area.** All visitors and onlookers, especially children and infirm persons, should be kept well away from where you are working. Do not let others in the vicinity make contact with the tool or extension cord.
- 4. Store tools safely.** When not in use, tools should be locked up out of reach.
- 5. Do not force the tool.** The tool will do the job better and safer working at the rate for which it was designed.
- 6. Use the correct tool for the job.** Do not force small tools or attachments to do the job best handled by a heavier duty tool. Never use a tool for a purpose for which it was not intended.
- 7. Dress correctly.** Do not wear loose clothing or jewellery. They can be caught in moving parts. Rubber gloves and non-slip footwear are recommended when working outdoors. If you have long hair, wear a protective hair covering.
- 8. Use safety accessories.** Safety glasses and earmuffs should always be worn. A face or dust mask is also required if the drilling operation creates dust.
- 9. Connect dust extraction equipment.** If devices are provided for the connection of dust extraction and collection facilities, ensure that these are connected and properly used.
- 10. Do not abuse the power cord.** Never pull the cord to disconnect the tool from the power point. Keep the cord away from heat, oil and sharp edges.
- 11. Secure the workpiece.** Use clamps or a vice to hold the workpiece. It is safer than using your hand and frees both hands to operate the tool.
- 12. Do not overreach.** Keep your footing secure and balanced at all times.
- 13. Look after your tools.** Keep tools sharp and clean for better and safer performance. Follow the instructions regarding lubrication and accessory changes. Inspect tool cords periodically and, if damaged, have them repaired by an authorised service facility. Inspect extension cords periodically and replace them if damaged. Keep tool handles dry, clean and free from oil and grease.
- 14. Disconnect idle tools.** Switch off the power and disconnect the plug from the power point before servicing, when changing accessories and when the tool is not in use.
- 15. Remove adjusting keys and wrenches.** Check to see that keys and adjusting wrenches are removed from the tool before switching on.
- 16. Avoid unintentional starting.** Always check that the switch is in the OFF position before plugging in the tool to the power supply. Do not carry a plugged in tool with your finger on the switch.

- 17. Use outdoor rated extension cords.** When a tool is used outdoors, use only extension cords that are intended for outdoor use and are so marked.
- 18. Stay alert.** Watch what you are doing. Use common sense. Do not operate a power tool when you are tired.
- 19. Check for damaged parts.** Before using a tool, check that there are no damaged parts. If a part is slightly damaged, carefully determine if it will operate properly and perform its intended function. Check for alignment of moving parts, binding of moving parts, breakage of parts, proper mounting and any other conditions that may affect the operation of the tool. A part that is damaged should be properly repaired or replaced by an authorised service facility, unless otherwise indicated in this Instruction Manual. Defective switches must be replaced by an authorised service facility. Do not use a tool if the switch does not turn the tool on and off correctly.
- 20. Guard against electric shock.** Prevent body contact with grounded objects such as water pipes, radiators, cookers and refrigerator enclosures.
- 21. Use only approved parts.** When servicing, use only identical replacement parts. Use an authorised service facility to fit replacement parts.

**WARNING.** The use of an accessory or attachment, other than those recommended in this Instruction Manual, may present a risk of personal injury.

### Additional safety rules for router tables

- Fully assemble and tighten all fasteners required for this table. Do not use the router table until it is fully assembled. Check the table and the router to make sure fasteners are still tight before each use.
- Make sure the router table is secured to a solid, flat and level surface, and will not tip during use.
- Make sure the router is not plugged into a power outlet when installing it on the table, making adjustments, or changing accessories. The router could start accidentally.
- Make sure the router is fully and securely attached to the router table. Periodically check connections for tightness. The router motor can vibrate loose during use and fall from the table.
- Do not use the router table without the guard. The guard assists in keeping hands away from unintended contact with the rotating bit.
- Never place your fingers near a spinning bit or under the guard when the router is plugged in. Never hold the workpiece on the outfeed side of the bit. Pressing the workpiece against the outfeed side can result in material binding and possible kickback.
- Use the router to cut and shape wood. Do not cut or shape metals. Make sure each workpiece is free of nails and other obstructions.
- Install the bit according to the instructions in the router manual. Make sure the bit is securely sealed in the collet before making any cuts. Do not use bits that have a cutting diameter that exceeds the clearance hole in the table insert.
- Do not use dull or damaged bits. Dull bits may cause the bit to break or the material to kickback. Damaged bits can snap during use.
- Never start the tool when the bit is engaged in the material. The cutting edge may grab the material and cause you to lose control of the workpiece.
- Use the router table to cut flat, straight, and squared materials. Do not cut warped, wobbly, or otherwise unstable material. If the material is slightly curved but otherwise stable, cut the material with the concave side against the table or fence. Cutting the material with the concave side up or away from the table may cause warped material to roll and kickback.
- Feed the material against the rotation of the bit. The bit rotates anti-clockwise as viewed from the top of the table. Feeding the work in the wrong direction will cause the workpiece to “climb” up on the bit pulling the workpiece and possibly your hands into the rotating bit.

- Guide the workpiece by the fence to maintain control. Do not place material between the router bit and fence while routing the edge. This will cause the material to become wedged, making kickback possible.
- Use push sticks, vertical and horizontally mounted feather boards and other jigs to hold the workpiece. Push sticks, feather boards and jigs eliminate the need to hold the workpiece near the spinning bit.
- Do not use the table as a work bench or work surface. Using it for purposes other than routing may cause damage and make it unsafe to use for routing. Do not stand on the table.

**Wear goggles**

**Wear earmuffs**

**Wear a breathing mask**

## **Assembly**

This router table is shipped disassembled and the parts have to be assembled prior to use.

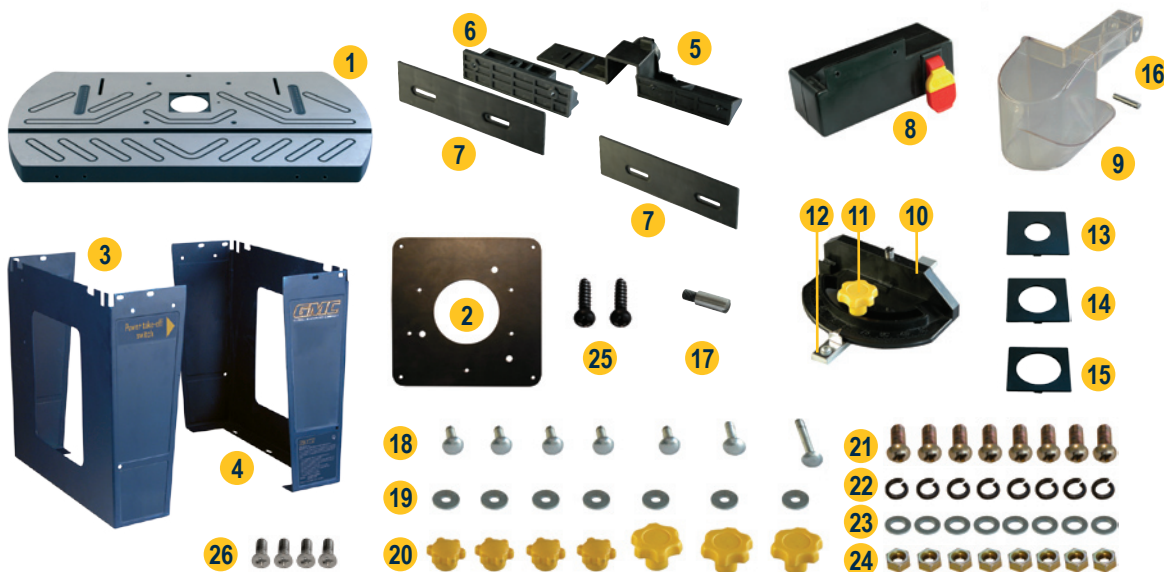
## Unpacking

Due to modern mass production techniques, it is unlikely that your GMC Power Tool is faulty or that a part is missing. If you find anything wrong, do not operate the tool until the parts have been replaced or the fault has been rectified. Failure to do so could result in serious personal injury.

Carefully remove all parts from the carton and check the contents against the following list:

1. Table top
2. Router plate
3. Left table leg
4. Right table leg
5. Rear fence

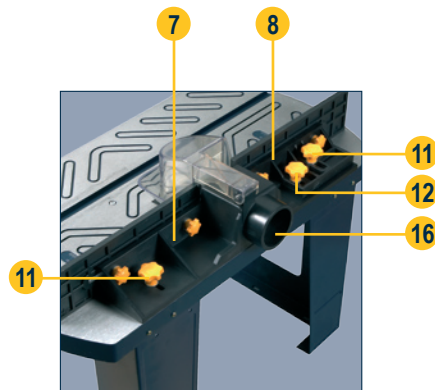
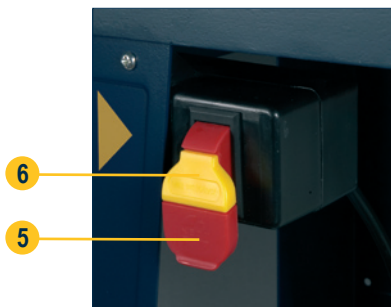
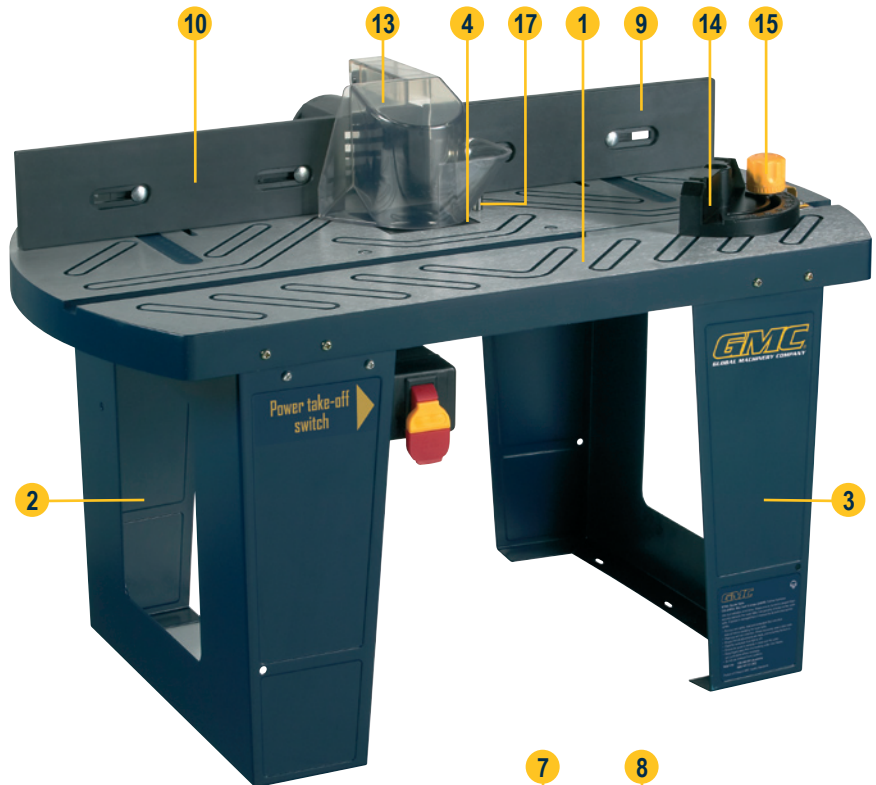
6. Adjustable fence bracket
7. Infeed/outfeed fence panels (2)
8. On/off switch box
9. Guard
10. Mitre gauge
11. Mitre gauge lock knob
12. Mitre gauge bar
13. 32mm table insert
14. 47mm table insert
15. 55mm table insert
16. Guard pin
17. Starting pin
18. Carriage bolts  
(1 large, 1 medium, 5 small)
19. Flat washers for carriage bolts (7)  
(1 flat washer already fitted to adjustable fence bracket)
20. Lock knobs (3 large, 4 small)  
(1 large knob already fitted to adjustable fence bracket)
21. Philips head screws (8)
22. Spring washers (8)
23. Flat washers (8)
24. Nuts (8)
25. Philips head screws for attaching switch box (2)
26. Router plate screws (4)



## Know your product

Before using the router table, familiarise yourself with all the operating features and safety requirements.

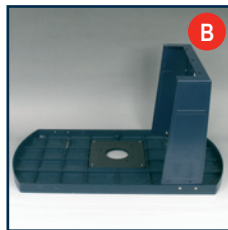
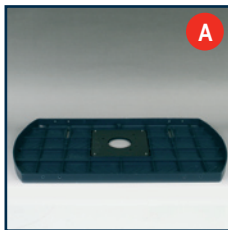
1. Table
2. Left table leg
3. Right table leg
4. Table inserts (x3)
5. On/off switch
6. Switch disabling insert
7. Rear fence
8. Adjustable fence bracket
9. Infeed fence
10. Outfeed fence
11. Fence locking knobs
12. Outfeed fence locking knob
13. Guard
14. Mitre gauge
15. Mitre gauge lock knob
16. Dust extraction port
17. Starting pin





## Attaching the legs

1. Place the table (1) upside down on a flat surface. The hole and slots in the table should be furthest away from you (fig. A).
2. Position the left table leg (2) on the right hand side and secure to the table using 4 Phillips head screws, spring washers, flat washers and nuts (fig. B).
3. Position the right table leg (3) on the left hand side and secure to the table using 4 screws, spring washers, flat washers and nuts.



4. Turn the table over and set it on its legs.

## Attaching the switch box

1. The switch box assembly fits behind the left leg near the top of the table.
2. Once the switch box is installed the on/off switch will be positioned on the right hand side of the left leg.
3. An electric cord and an electric outlet for the router are located at the rear of the switch box (fig. C).
4. Place the switch box behind the left leg.
5. Align the screw holes on the top of the switch box with the 2 holes at the top of the left leg.



6. Secure the switch box to the leg with the 2 Philips head screws (fig. D).
7. Move the switch up and down to make sure it moves freely (fig. E).



**Note.** The on/off switch features a switch disabling insert for greater safety when the tool is left unattended. The switch disabling insert must be in place before using the tool (fig. F).

## Securing the table to a work bench

1. Both table legs feature openings at the base of the legs for securing the router table to a suitable work bench.
2. The work bench should be level and strong enough to support the weight of the table and the router.
3. The work bench should be very stable to eliminate vibration when the router is operating.
4. Use appropriate fasteners and bolts to secure the router table to the work bench.

## Attaching the fence to the table

The rear fence (7) is slideable and attaches to the table through the two channel openings on the table. The infeed (9) and outfeed (10) fence attach to the rear fence.

1. Position the router table so you are facing the rear of the table.
2. Align the rear fence (7) over the channel openings in the table. The large dust extraction port in the fence should face the rear of the table.
3. Feed the long carriage bolt from the bottom of the table and insert it through the channel opening in the table and through the hole on the right side of the fence and through

the adjustable fence bracket. Secure the bolt with a flat washer and a large lock knob (fig. G).

4. Feed the medium carriage bolt through the channel opening on the left side of the table and through the opening on the left side of the fence. Secure the bolt with a flat washer and a large lock knob.



### Attaching the infeed and outfeed fence

1. Place one sliding panel along the front side of the fence and align the channel openings on the panel with the holes along the front of the fence.
2. Place a small carriage bolt through each of the two openings on the front of the panel and secure each bolt with a flat washer followed by a small lock knob (fig. H).
3. Repeat steps 1 and 2 to secure the second sliding panel to the fence.



### Attaching the guard to the fence

The guard (13) protects the operator from the cutting edge of the router bit. A pin secures the guard to a support on the fence. The guard will move freely when it is attached properly to the fence.

1. Place the arm of the guard (13) over the support base on the fence (7) (fig. I).
2. Align the openings on each side of the guard arm with the openings on the support base on the fence.



3. Slide the guard pin through both sides of the guard arm and the support base on the fence (fig. J). Tap gently on the pin if needed to insert it through the support base.



### Adjusting the mitre gauge

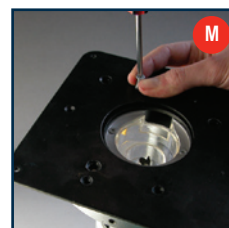
1. Place the mitre gauge bar into the channel that runs the full length of the table. The bar should run freely in this channel (fig. K).
2. To change the angle of the mitre gauge (14) loosen the mitre gauge lock knob (15) and move the gauge to the desired angle.
3. Tighten the lock knob to set the gauge at the selected angle.



### Mounting an R1200 router

The router plate supplied has been designed to suit the GMC R1200, R1250, R2050, MAG1500R and MAG2050R routers.

1. If the router plate is attached to the table remove it by loosening the 4 screws (fig. L).
2. Secure the router to the router plate using 3 x M6 countersink cross head screws (1 x 12mm (for the blind hole), 2 x 16mm) (fig. M).
3. Once the router is secured to the router plate place it under the table.



4. Secure the router plate to the table by feeding each of the 4 screws through the top of the table and into the router plate (fig. N).



5. The router is positioned on an angle when fitted into the table so that the handle with the variable speed dial is facing the right rear leg allowing easy access to the variable speed dial and plunge lock lever.

6. Make sure the switch on the front left leg is in the off position.

7. Plug the router power cord into the back of the switch box (fig. O). Secure the router power cord so that it will not interfere with the operation of the router.



6. Double check you have the tracing paper the correct way up so that the router when mounted from underneath lines up with the centre of the hole in the router plate and the marked holes you are about to drill through.

7. Carefully drill through the router plate at the points marked on your tracing paper.

8. Turn the router plate and countersink the holes to suit the screws you purchased.

9. Remove the tracing paper and secure the router to the router plate.

**WARNING.** Do not use your router table unless your router is fully secured in place.

### Attaching a table insert

Three table inserts (4) each with a different size opening are supplied with the router table. Change the table inserts as needed to accommodate the size of the router bit. The bit should not make contact with the table insert.

**WARNING.** Do not use bits that have a cutting diameter that exceeds the clearance hole in the table insert.

1. Select a table insert that has a clearance hole larger than the diameter of the bit being used.

2. Align the table insert with the square depression that surrounds the router opening in the table (fig. P).

3. Press gently and evenly on the table insert to secure it in the depression (fig. Q).



### Mounting a router other than the R1200

1. If there is no combination of screw holes in the router plate that match perfectly the mounting requirements of the router, it is necessary to drill extra holes.

2. Find the mounting screw holes in your router. This may be three or four holes pre-drilled for mounting into a power tool table, or it could be the base plastic non-scratch plate mounting screws.

3. Work out the type and depth of screw needed and purchase suitable countersunk-headed screws from your local screw stockist.

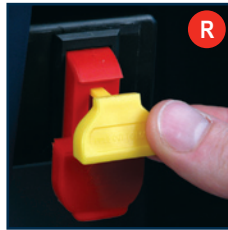
4. Mark out on a piece of tracing paper the screw positions relative to the centre of the router.

5. Turn the router plate upside down and stick the tracing paper upside down onto the plate with its centre coincidental to the centre of the hole in the plate.

## Operation

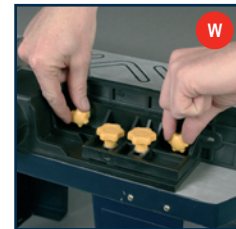
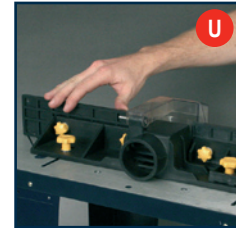
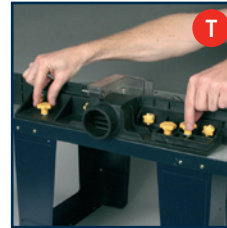
Once the router is properly installed and connected to the router table you can use the safety switch on the router table to turn the router on.

1. Insert the switch disabling insert (6) and ensure the switch is in the OFF position (fig. R).
2. Make sure the switch on the router is in the OFF position.
3. Make sure the router is plugged into the outlet on the router table switch box.
4. Plug the router table cord into a power socket.
5. Turn the router switch to the ON position and lock the switch on.
6. Flip the router table switch to the ON position to turn on and operate the router (fig. S).
7. Push the switch to the OFF position to turn off the router.



## Adjusting the fence

The fence can be adjusted in various ways to accommodate the size and shape of a particular workpiece.



1. To slide the fence backwards and forwards loosen the two fence locking knobs (fig. T). This will set the infeed fence (9) to support the workpiece (fig. U).
2. Loosen the outfeed fence locking knob (12) to move the outfeed fence forward or backward (fig. V). This will help support the workpiece after it has been cut.
3. Loosen the 4 lock knobs on the infeed and outfeed fence panels to slide the panels left and right (fig. W).

## Adjusting the depth of cut

The depth of cut affects the rate and quality of cut. The plunge lock lever on the router holds the router at the desired height and depth of cut.

Refer to instruction manual that came supplied with your router for details on how to adjust the depth of cut.

## Using the starting pin

The starting pin (17) is used to pivot a small workpiece. The starting pin fits into the threaded opening on the top of the table near the table insert. Turn the pin clockwise to insert it into the table. Turn the pin anti-clockwise to remove it from the table.

## Direction of feed

1. Feed the workpiece from right to left.
2. The material must be fed against the cutting edge of the router bit.
3. Ensure that the workpiece is tight against the fence.
4. Adjust the infeed fence so that it supports the uncut material and adjust the outfeed fence so that it supports the cut material, compensating for the removed stock.

## **Maintenance**

### **Cleaning**

1. Keep the tool's air vents unclogged and clean at all times.
2. Remove dust and dirt regularly. Cleaning is best done with a rag.
3. Re-lubricate all moving parts at regular intervals.
4. Never use caustic agents to clean plastic parts.

**CAUTION.** Do not use cleaning agents to clean the plastic parts of the router table. A mild detergent on a damp cloth is recommended. Water must never come into contact with the router table.

### **General inspection**

Regularly check that all the fixing screws are tight. They may vibrate loose over time.

### **Power cord maintenance**

If the supply cord needs replacing, the task must be carried out by the manufacturer, the manufacturer's agent, or an authorised service centre in order to avoid a safety hazard.

### **Repairs**

Only an authorised service centre should replace the cordset or effect other repairs. If the cordset is damaged or worn, have it repaired or replaced by an authorised service centre.





---

# GMC customer assist

---

If your product needs repairing, replacing, technical service or you simply need help or advice, please contact us on our Customer Assist Line 1300 880 001 (Australia) or 0800 445 721 (New Zealand).

For prompt service we suggest you log your service request online at [www.gmcservice.com.au](http://www.gmcservice.com.au). Should you not have access to the Internet, please contact our service department on 1300 880 001 (Australia) or 0800 445 721 (New Zealand). 7am – 7pm, 7days a week (AEST).

---

**Please note that if repair or replacement is required, you must provide a valid original purchase receipt.**

---

You will need the following details at hand to log your service request;

**Personal details:** First & Last name, address, pick up address, contact phone numbers, email address

**Product details:** Product number, date of purchase, retailer bought from, State & postcode, receipt number, reason for the request, copy of official purchase receipt

Attach your purchase receipt and save with this Manual for future reference.

Please refer to our website [www.gmcompany.com](http://www.gmcompany.com) for full GMC warranty Terms and Conditions.

Attach Your  
Receipt Here

**GMC**<sup>®</sup>  
**GLOBAL MACHINERY COMPANY**



## Free Manuals Download Website

<http://myh66.com>

<http://usermanuals.us>

<http://www.somanuals.com>

<http://www.4manuals.cc>

<http://www.manual-lib.com>

<http://www.404manual.com>

<http://www.luxmanual.com>

<http://aubethermostatmanual.com>

Golf course search by state

<http://golfingnear.com>

Email search by domain

<http://emailbydomain.com>

Auto manuals search

<http://auto.somanuals.com>

TV manuals search

<http://tv.somanuals.com>