

MR-350 GPS Installation Guide

(see reverse side for Safety and Legal Notices)

BEFORE YOU START:

A maximum roof thickness cannot exceed 3/8". **DO NOT** mount in an area where thickness of the roof is greater than 3/8".

Tools Required:

- Tape measure
 - Pencil
 - Center punch
 - Electric or air drill
 - 1/8" drill bit
 - 3/8" drill bit
 - 7/8" drill bit, or hole punch
 - 15/16" wrench
 - Heat gun (shrink tubing)
- Recommended Option:*
- Silicone sealant

STEP 1

Find a suitable location on the vehicle where you want to mount the MR-350. Use a tape measure to find the center or the location to drill, then mark with a center punch.

TIP: It may be easier to see the drill location if you apply some masking tape to the area first and mark with a pencil after measuring.

Things to consider before you drill a hole:

- a.) Will the cable reach your computer from this location?
- b.) Is the thickness of your roof 3/8" or less?
- c.) Will you have enough access in the interior to attach and tighten the mounting washer and nut?
- d.) Are there any metal supports, bracing or wiring in the area you could possibly be drilling into?
- e.) Is there at least 1" clearance between the inside headliner and roof interior to allow for concealment of the washer, the nut and the cable?



Some models the serial number may be placed here.

STEP 2

Drill a small 1/8" pilot hole first then double-check the location from the underside to confirm placement.

STEP 3

Increase the hole size with a 3/8" drill bit.

STEP 4

Drill the final hole size using a 7/8" drill bit or a hole punch. (Hole cannot be smaller than 7/8" or the MR-350 will seat flat and properly seal.)

STEP 5

Insert the MR-350 cable and receiver into the hole.

Recommended:

Apply a 1/4" bead of silicone sealant directly around the hole before insertion of the MR-350's threaded shaft.

STEP 6

From the underside, slide the provided flat washer, then "star" lock washer and the nut through the cable and thread onto the shaft. Use a 15/16" wrench to tighten the nut until snug – DO NOT over tighten.

Slide on the included 3" strip of heat-shrink tubing over the end of the PS/2 connector. Then attach the female PS/2 connector of your interface cable kit to the MR-350's PS/2.

NOTE: The pin configuration may NOT match with non-GlobalSat cable sets and could cause **DAMAGE** to your GPS receiver if connected. Use only GlobalSat approved cables and connectors with your MR-350.

STEP 7

Once securely inserted into each other, slide the 3" strip of shrink tubing over the two connectors and apply heat. After several seconds, the tubing should start to shrink around the two connectors together so they cannot be pulled apart.

STEP 8

Run the MR-350 cable behind the headliner, sidewall panels and carpeting to the location of where your computer will be. Things to consider when routing your cable:

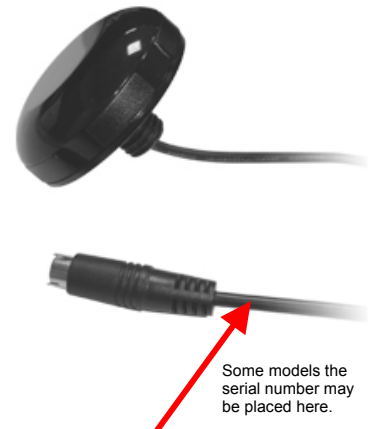
- a.) Do not allow the cable to come in contact with high heat sources, which could damage or melt the cable.
- b.) Keep cable clear from moving linkage such as break pedals, gas pedals, shifter linkage, park break cables and steering mechanisms.
- c.) Do not let cable rub on sharp edges.

Route cable as neatly as possible and keep excess cable secure.

STEP 9

Now you can complete the connection to your laptop, or other device. (Note: if you are using the USB interface cable kit, you will be required to load a driver, which is included with the USB cable kit.)

Configure your laptop (or other device) as you would normally to accept GPS data from the assigned COM port.



IMPORTANT NOTICE:

You must record your GPS serial number **BEFORE** installation. Without this serial number, you will not be able to register the unit and have access to technical support for the duration of the warranty period. The serial number can either be located on the underside of the unit, or on the cable near the connector

- 1.) Record your serial number here: _____
- 2.) Immediately register your GPS receiver by logging onto to: <http://usglobalsat.com/support/custadminlogin.asp>

SAFETY AND LEGAL NOTICES

Please read this section carefully before using the MR-350

Globalsat Technology Corporation, nor any of its associated branch offices, resellers or distributors, will not accept any responsibility or liability whatsoever for accidents resulting from failure to observe common sense precautions. Your personal judgment, traffic regulations, and common sense must always take precedence over any directions produced by GPS receiver, and/or any software used in conjunction.

WARNING: Make sure that the GPS receiver is secure and does not interfere with driving visibility and safety.

It is your responsibility as the vehicle operator to securely place the GPS unit and antenna so that they will not interfere with driving and prevent operations of any safety device (such as the Airbag) in your vehicle. Do not mount the devices in a place where the driver or passengers may receive injury during vehicle operation or collision. For your safety, take care to route all cables away from shifters, pedals, accessory controls and mechanisms.

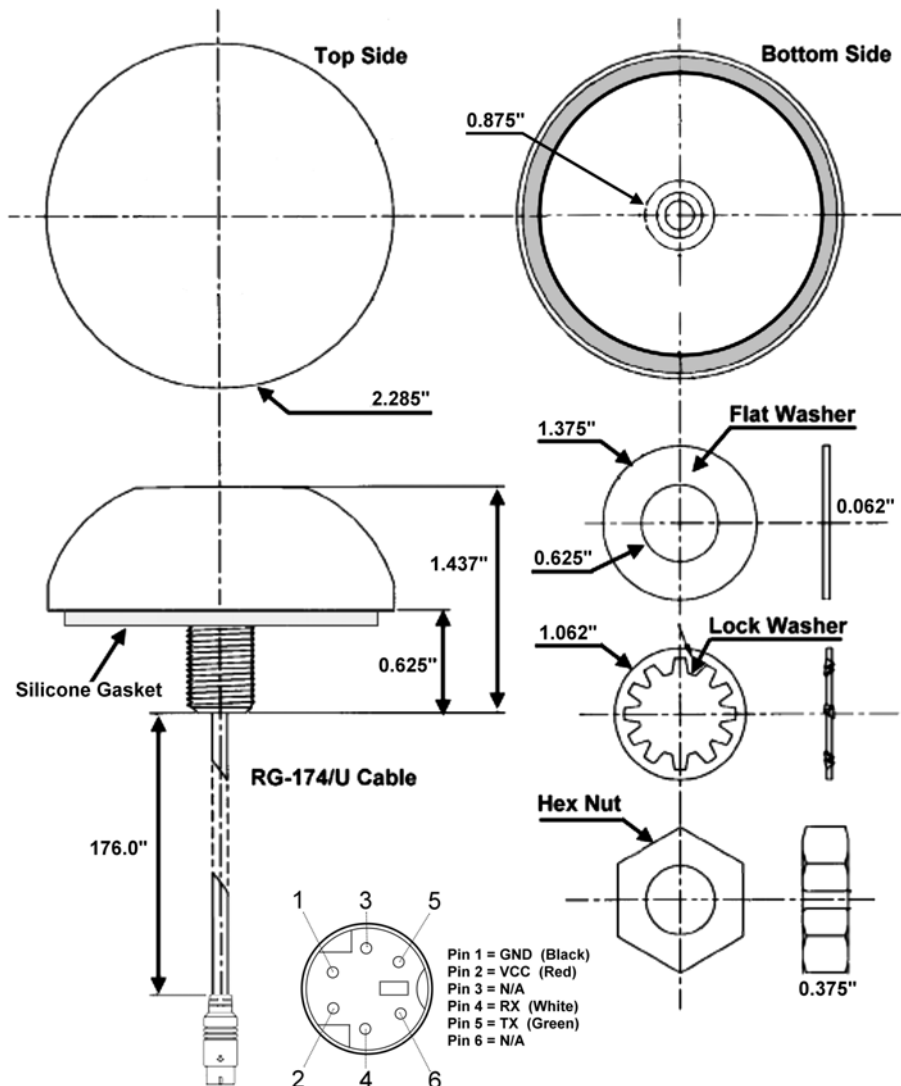
WARNING: Drive safely and use common sense.

It is your responsibility as the vehicle operator to drive safely, observe all traffic rules and above all use your own personal judgment while driving. If you feel that a route suggested by the navigation software instructs you to perform an unsafe or illegal maneuver, places you in an unsafe situation, or routes you into an area which you consider unsafe, do not follow the instructions.

WARNING: Keep your eyes on the road.

It is your responsibility as the vehicle operator to keep your eyes on the road and be an alert driver at all times, especially when the vehicle is moving. The vehicle's operator should not be distracted by the navigation equipment or software. Should there be a distraction with the ability to drive responsibly, please turn off the device. Should you want to look at the display for a prolonged time, park the car safely, while following all traffic regulations before looking at the display.

WARNING: To reduce the risk of fire or shock hazard, do not expose this product to rain or moisture. Do not remove covers or open housings, there are no user serviceable parts inside. Refer servicing to qualified personnel only.



Should you require technical support, you must first register your MR-350. Please go to our registration page at:

<http://usglobalsat.com/support/custadminlogin.asp>

If you already have an existing account with USGlobalsat, simply log-no to your existing account and add the MR-350 to your personal product list. If you're new, you'll need to create an account, then add the MR-350 to your product list.

Once logged into your account, you can generate a support "Trouble Ticket" so that a technician can contact you. This is the only way to obtain free technical support.

Free Manuals Download Website

<http://myh66.com>

<http://usermanuals.us>

<http://www.somanuals.com>

<http://www.4manuals.cc>

<http://www.manual-lib.com>

<http://www.404manual.com>

<http://www.luxmanual.com>

<http://aubethermostatmanual.com>

Golf course search by state

<http://golfingnear.com>

Email search by domain

<http://emailbydomain.com>

Auto manuals search

<http://auto.somanuals.com>

TV manuals search

<http://tv.somanuals.com>