

# Introduction



## Introduction:

Thank you for purchasing the Elation DMX-Branch/4.™ To optimize the performance of this product, please read these operating instructions carefully to familiarize yourself with the basic operations of this unit. The Elation® DMX-Branch/4™ is DMX signal splitter/booster combination. This unit has been tested at the factory before being shipped to you, there is no assembly required.

## Customer Support:

Elation® provides a customer support line, to provide set up help and to answer any question should you encounter problems during your set up or initial operation. You may also visit us on the web at [www.elationlighting.com](http://www.elationlighting.com) for any comments or suggestions.

Service Hours are Monday through Friday 10:00 a.m. to 5:00 p.m. Pacific Time.

Voice: (323) 582-3322

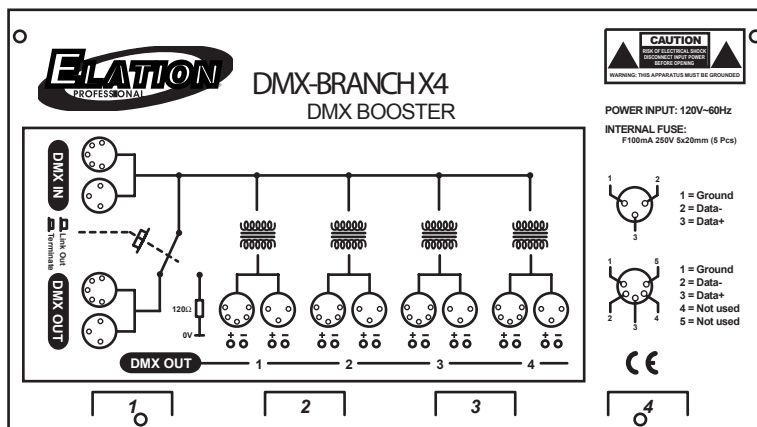
Fax: (323) 582-3108

E-mail: [support@elationlighting.com](mailto:support@elationlighting.com)

**Warning!** To prevent or reduce the risk of electrical shock or fire, do not expose this unit to rain or moisture.

**Caution!** There are no user serviceable parts inside this unit. Do not attempt any repairs yourself, doing so will void your manufactures warranty. In the unlikely event your unit may require service please contact your nearest Elation dealer.

Protect our environment, do not discard this cartoon in the trash. Please recycle when ever possible.



Optional 5-pin XLRs Available

## User Instructions

Elation Professional  
4295 Charter Street  
Los Angeles Ca. 90058  
[www.elationlighting.com](http://www.elationlighting.com)

Rev. 12/04

## DMX-Branch/4™ Warnings

- Do not spill water or other liquids in to or on to your unit.
- Be sure that the local power outlet match that or the required voltage for your unit.
- Do not attempt to operate this unit if the power cord has been frayed or broken. Please route your power cord out of the way of foot traffic.
- Do not attempt to remove or break off the ground prong from the electrical cord. This prong is used to reduce the risk of electrical shock and fire in case of an internal short.
- Disconnect from main power before making any type of connection.
- Do not remove the top cover under any conditions. There are no user serviceable parts inside.
- Disconnect the unit's main power when left unused for long periods of time.
- Never connect this unit to a dimmer pack
- Always be sure to mount this unit in area that will allow proper ventilation. Allow about 6" (15cm) between this device and a wall.
- Do not attempt to operate this unit, if it becomes damaged in any way.
- Never operate this unit when it's cover is removed.

## DMX-Branch/4™ General Instructions

Please read and understand the instructions in this manual carefully and thoroughly before attempting to operate this unit. These instructions contain important information regarding safety during use and maintenance. Please keep this manual with the unit, for future reference.

## DMX-Branch/4™ Introduction

Congratulations and thank you for purchasing the Elation® DMX-Branch/4. This unit is one of the finest pieces of its kind on the market today! The DMX-Branch/4 is a great inexpensive, DMX signal splitter. Typically a DMX signal should not be split but, the DMX-Branch/4™ allows you to split a DMX signal into four separate signal outputs. This unit will also boost your DMX signal for extensive cable runs that are usually associated with permanent installations. This unit is perfect for contractors, installers, and professional light companies.

This units is ready to be installed or hung and powered right out of the box. There is no assembly required. The DMX-Branch/4™ comes with a sets of rack mount ears and a set of rear hanging ears. Use these ears to mount your unit in a rack or to support it on truss or in a ceiling. The DMX-Branch/4™ is DMX signal splitter/booster combination. This unit not only allows you split the signal but also boost the signal output. The DMX-Branch/4™ can also be linked for extremely large installation. This unit comes standard with 3-pin male and female XLR connectors. Optional 5-pin male and female XLR connectors are available from Elation®. at a small additional cost. We ordering the 5 -pin connectors please ask for parts Z-XLR5IN and Z-XLR5OUT.

## DMX-Branch/4™ Set Up

### Unpacking:

Every DMX-Branch X4™ has been thoroughly tested and has been shipped in perfect operating order. Carefully check the shipping carton for damage that may have occurred during shipping. If the carton appears to be damaged, carefully inspect your fixture for any damage. In the case damage has been found please contact our toll free customer support number for further instructions.

### Power Supply:

Before plugging your unit in be sure the source voltage in your area matches the required voltage for your Elation® DMX Branch X4.™ The Elation® DMX-Branch X4™ is available in a 115v and 230v version. Because line voltage may vary from venue to venue, you should be sure to plug your power supply into a matching wall outlet before attempting to operate you controller.

### Data Cable (DMX Cable) Requirements:

Your fixture and your controller require a standard 3-pin XLR connector for data input and data output (Figure 1). If you are making your own cables be sure to use standard two conductor shielded cable (This cable may be purchased at almost all pro sound and lighting stores). Your cables should be made with a male and female XLR connector on either end of the cable. Also remember that DMX cable must be daisy chained and can not be “Y”ed or split.



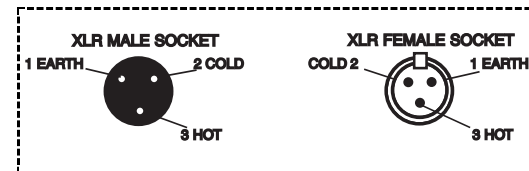
**Notice:** Do not use the ground lug on the XLR connector. Do not connect the cable’s shield conductor to the ground lug or allow the shield conductor to come in contact with the XLR’s outer casing. Grounding the shield could cause a short circuit and erratic behavior.



Figure 2

## DMX-Branch/4™ Set Up Cont.

**Notice:** Be sure to follow figures two and three when making your own cables. Do not use the ground lug on the XLR connector. Do not connect the cable’s shield conductor to the ground lug or allow the shield conductor to come in contact with the XLR’s outer casing. Grounding the shield could cause a short circuit and erratic behavior.



XLR Pin Configuration:
Pin 1 = Shield
Pin 2 = Data Compliment (negative)
Pin 3 = Data True (positive)

Figure 3

### Special Note: Line Termination.

When longer runs of cable are used, you may need to use a terminator on the last unit to avoid erratic behavior. A terminator is a 90-120 ohm 1/4 watt resistor which is connected between pins 2 and 3 of a male XLR connector (DATA + and DATA -). This unit is inserted in the female XLR connector of the last unit in your daisy chain to terminate the line. Using a cable terminator will decrease the possibilities of erratic behavior.



Termination reduces signal errors and avoids signal transmission problems and interference. It is always advisable to connect a DMX terminal. (Resistance 120 Ohm 1/4 W) between PIN 2 (DMX-) and PIN 3 (DMX +) of the last fixture.

Figure 4

### Linking:

The DMX Branch X4™ can be linked to another by using the DMX OUT jack on the side of the unit. Be sure to only use the output jack beside the input jack to link the DMX-Branch X4’s together. When linking units together be sure the terminate selector switch is in the out position (**Link Out**), when you are not using the output jack be sure the terminate switch is in the in position (**Terminate**).

## DMX-Branch/4™ Operation

Be sure the power is disconnected before making any type of connections. Connect the output signal from your DMX controller to the input jack of the DMX-Branch X4. Use the four output channels to send DMX signal to your DMX fixtures. Daisy-chain the DMX output. Remember that the pack is only place a DMX signal may be split. If you are not using the output jack to link DMX-Branch X4's together be sure the terminate switch is in the in position (**Terminate**).

### Indicators:

Each of the four output channels have a set LED indicators, a red and a green. Without an incoming DMX signal the red LEDs will function as a power indicator. When a DMX signal is applied the LED's will serve two functions:

1. These indicator will indicate pin polarity. A solid red LED will indicate pin 3 is hot (positive). A solid green LED will indicate pin 2 is hot (positive).
2. When shorted or bad cable is connected to a particular channel the LED will turn off. This is useful to immediately identify bad cables or lines.

## **Model: DMX-Branch X4™**

### **SPECIFICATIONS:**

Power:	110V/60Hz
Fuse:	5 x 100mA GMA ( <i>Internal</i> )
Working Position:	Any
Weight:	6.5 Lbs.
Size:	13" x 3 1/8" x 7 1/8"
Duty Cycle:	None

## Free Manuals Download Website

<http://myh66.com>

<http://usermanuals.us>

<http://www.somanuals.com>

<http://www.4manuals.cc>

<http://www.manual-lib.com>

<http://www.404manual.com>

<http://www.luxmanual.com>

<http://aubethermostatmanual.com>

Golf course search by state

<http://golfingnear.com>

Email search by domain

<http://emailbydomain.com>

Auto manuals search

<http://auto.somanuals.com>

TV manuals search

<http://tv.somanuals.com>