

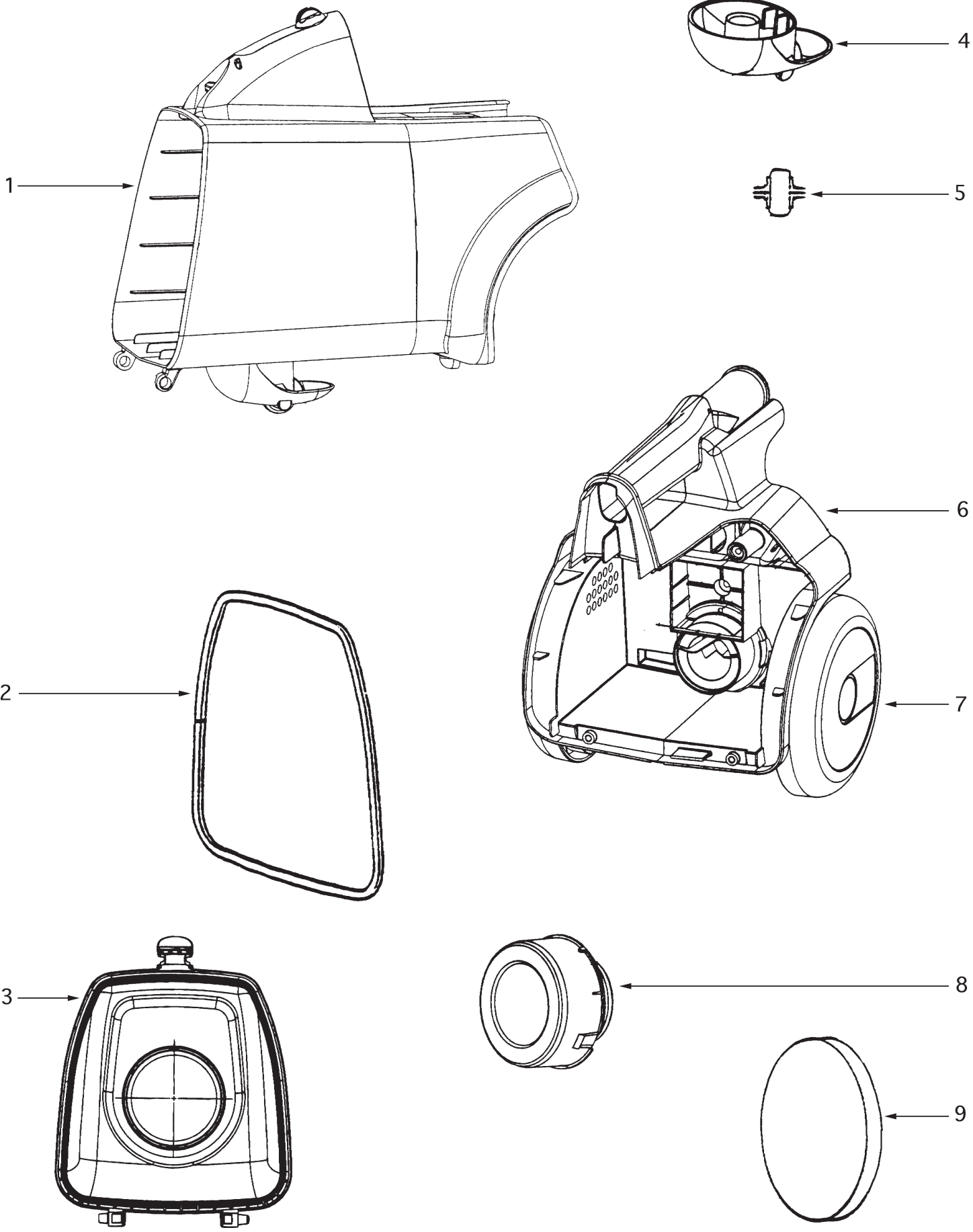
REPAIR PARTS LIST

S3686A

Date: May 9, 2001

THE EUREKA COMPANY
BLOOMINGTON, ILLINOIS 61701

MODEL S3686A
SANITAIRE MIGHTY MITE



S3686A

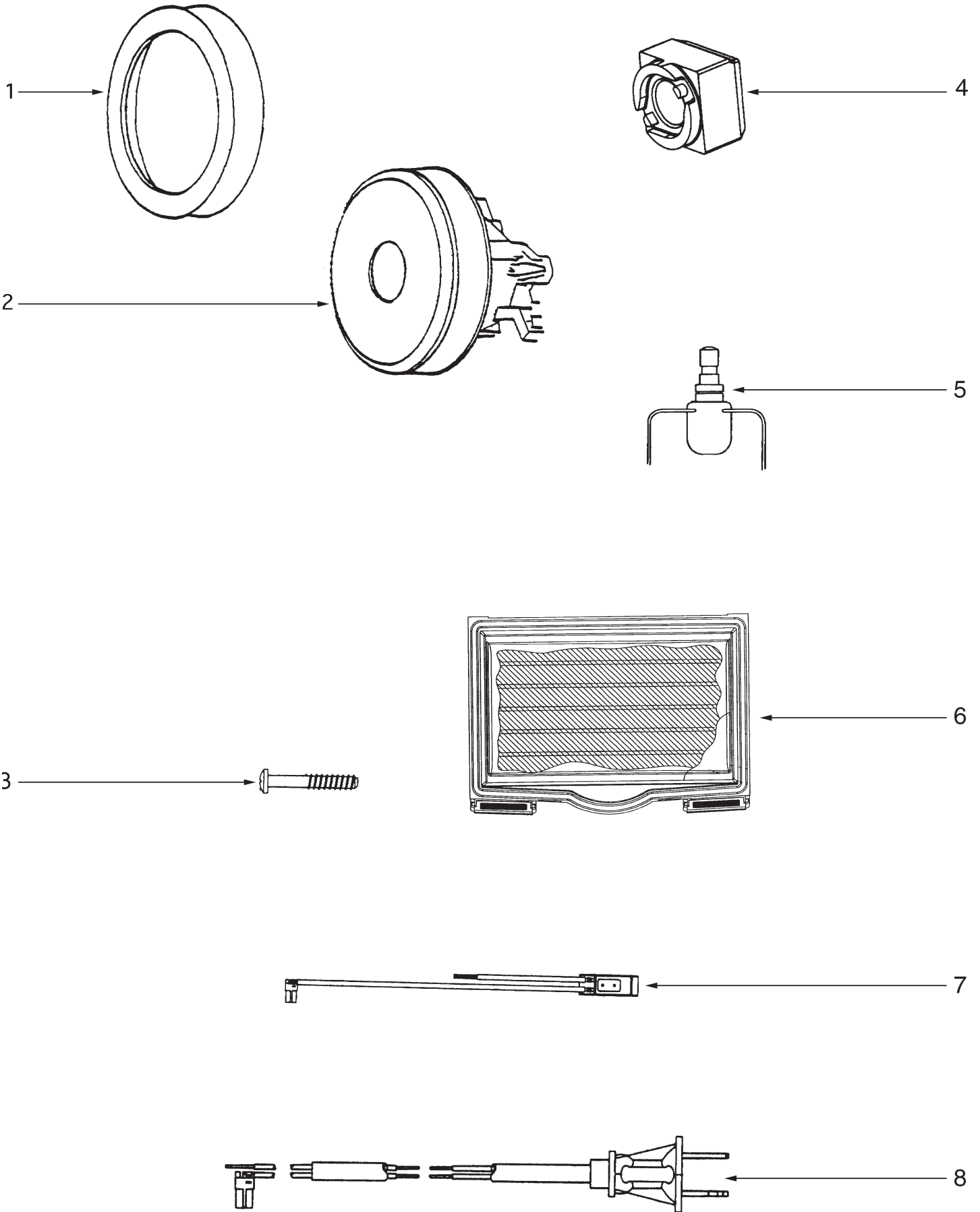
- | | | |
|----|-------------|---------------------------|
| 1. | 60487-25 | HOUSING ASSEMBLY* |
| 2. | 59046-1 | FRONT COVER GASKET |
| 3. | 38956-1SV | FRONT COVER ASSEMBLY** |
| 4. | 38805-1 | CASTER ASSEMBLY*** |
| 5. | 37409-1 | WHEEL & HUB ASSEMBLY |
| 6. | 28008B-2 | REAR HOUSING ASSEMBLY**** |
| 7. | 15409A-119N | REAR WHEEL |
| 8. | 27964-119N | EXTENSION TUBE |
| 9. | 38333 | FILTER |

* INCLUDES ITEMS 4 & 5

** INCLUDES ITEM 2

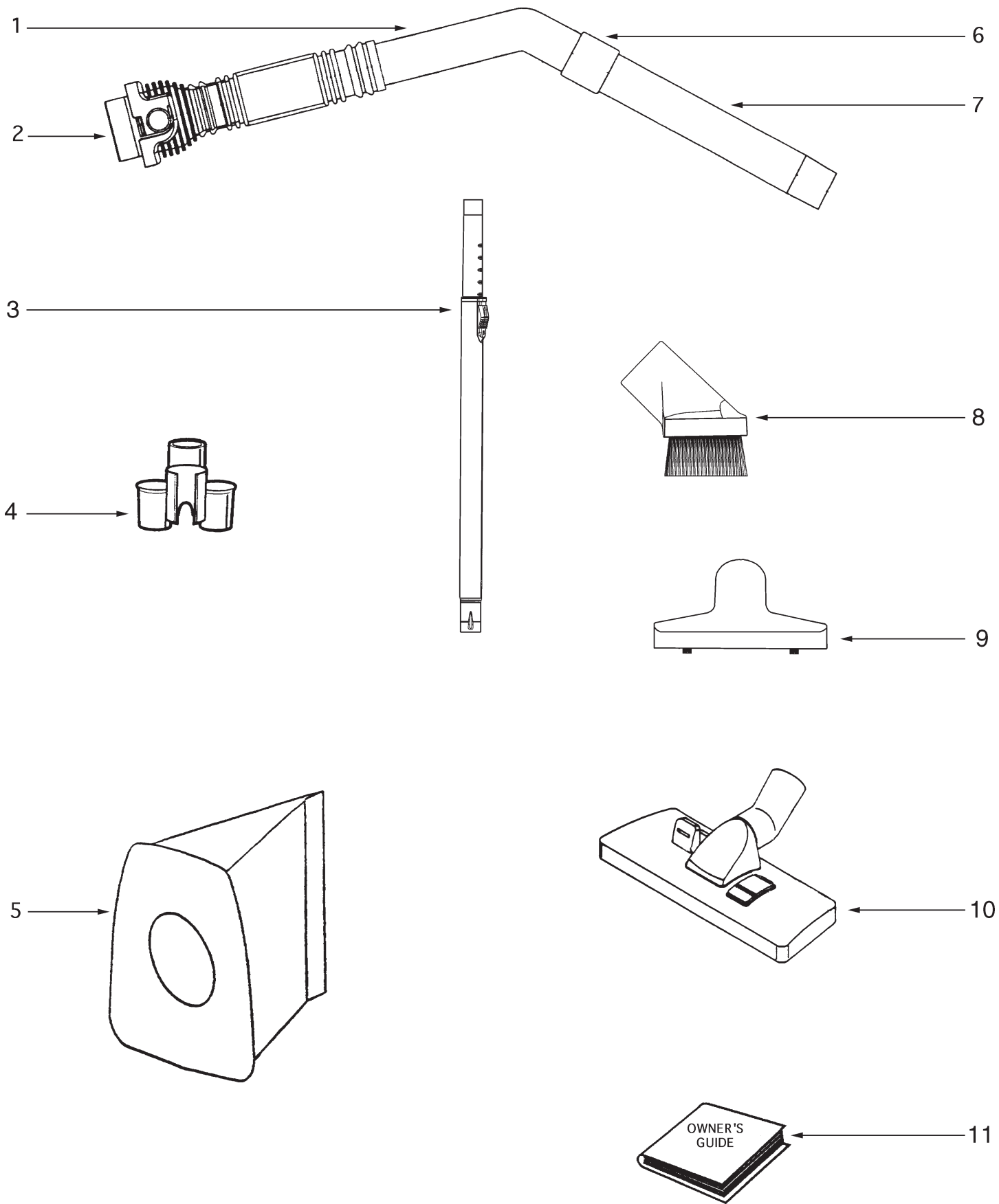
*** INCLUDES ITEM 5

**** INCLUDES ITEM 7



S3686A

- | | | |
|----|----------|--------------------------------|
| 1. | 28261 | MOTOR MOUNTING GASKET |
| 2. | 60865-3 | MOTOR ASSEMBLY |
| 3. | 60610 | SCREW - pkg of 10 |
| 4. | 28050 | MOTOR BUSHING |
| 5. | 28304A-2 | SWITCH ASSEMBLY |
| 6. | 60666 | HEPA FILTER |
| 7. | 39408-2 | THERMOSTAT & TERMINAL ASSEMBLY |
| 8. | 39409-3 | CORD & TERMINAL ASSEMBLY |

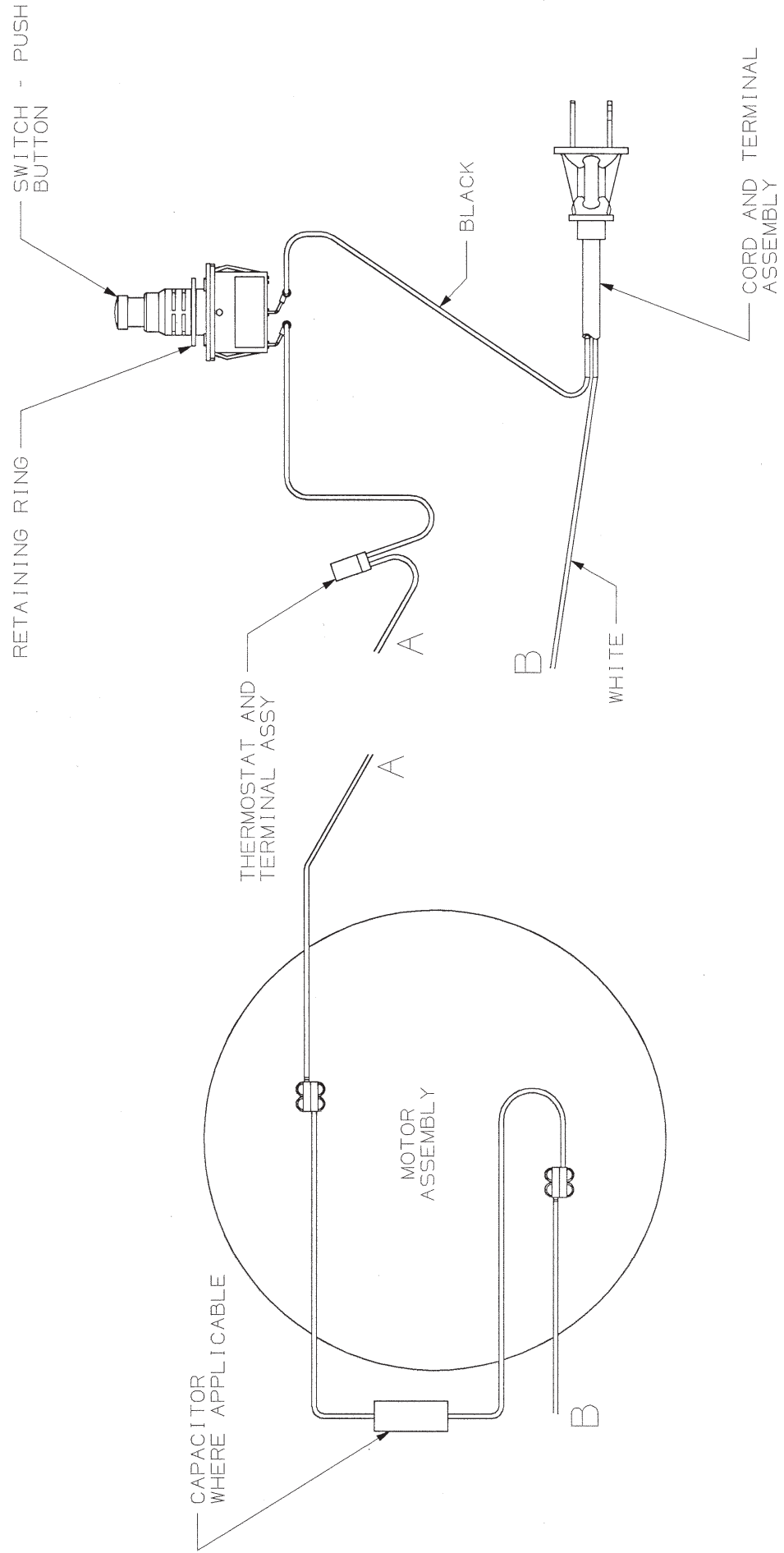


S3686A

- | | | |
|-----|------------|---|
| 1. | 60289-1 | HOSE ASSEMBLY COMPLETE* |
| 2. | 15355-119N | HOSE COUPLING |
| 3. | 60424 | TELESCOPIC WAND |
| 4. | 54910 | CLIP & TOOL |
| 5. | 60296 | DISPOSABLE BAG (STYLE MM FILTERAIRE) - pkg of 3 |
| 6. | 37653-3 | BLEEDER |
| 7. | 26193-3 | CURVED HANDLE ASSEMBLY |
| 8. | 60290-1 | DUSTING BRUSH |
| 9. | 38284-3 | UPHOLSTERY NOZZLE |
| 10. | 38702-2 | FLOOR & WALL BRUSH |
| 11. | 71373A | OWNER'S GUIDE |

* INCLUDES ITEMS 2, 6 & 7

39402



Free Manuals Download Website

<http://myh66.com>

<http://usermanuals.us>

<http://www.somanuals.com>

<http://www.4manuals.cc>

<http://www.manual-lib.com>

<http://www.404manual.com>

<http://www.luxmanual.com>

<http://aubethermostatmanual.com>

Golf course search by state

<http://golfingnear.com>

Email search by domain

<http://emailbydomain.com>

Auto manuals search

<http://auto.somanuals.com>

TV manuals search

<http://tv.somanuals.com>