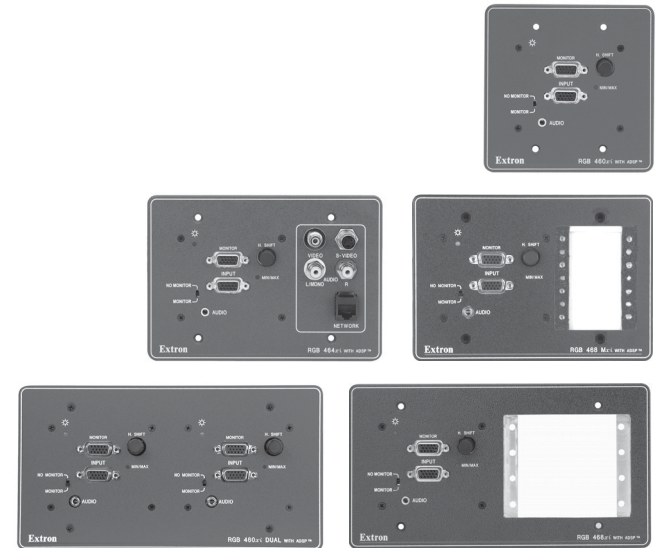


## User's Manual



### RGB 460<sub>xi</sub>, 460<sub>xi</sub> Dual, 464<sub>xi</sub>, 468<sub>xi</sub>, and 468 M<sub>xi</sub>

Wall and Floorbox Mountable Interfaces  
with Euro Channel versions

68-542-01 Rev. D  
Printed in the USA  
06 03



**Extron Electronics, USA**  
1230 South Lewis Street  
Anaheim, CA 92805  
USA  
714.491.1500  
Fax 714.491.1517

**Extron Electronics, Europe**  
Beeldschermweg 6C  
3821 AH Amersfoort  
The Netherlands  
+31.33.453.4040  
Fax +31.33.453.4050

**Extron Electronics, Asia**  
135 Joo Seng Road, #04-01  
PM Industrial Building  
Singapore 368363  
+65.6383.4400  
Fax +65.6383.4664

**Extron Electronics, Japan**  
Daisan DMJ Building 6F  
3-9-1 Kudan Minami  
Chiyoda-ku, Tokyo 102-0074 Japan  
+81.3.3511.7655  
Fax +81.3.3511.7656

# Precautions

## Safety Instructions • English



This symbol is intended to alert the user of important operating and maintenance (servicing) instructions in the literature provided with the equipment.



This symbol is intended to alert the user of the presence of uninsulated dangerous voltage within the product's enclosure that may present a risk of electric shock.

### Caution

**Read Instructions** • Read and understand all safety and operating instructions before using the equipment.

**Retain Instructions** • The safety instructions should be kept for future reference.

**Follow Warnings** • Follow all warnings and instructions marked on the equipment or in the user information.

**Avoid Attachments** • Do not use tools or attachments that are not recommended by the equipment manufacturer because they may be hazardous.

## Consignes de Sécurité • Français



Ce symbole sert à avertir l'utilisateur que la documentation fournie avec le matériel contient des instructions importantes concernant l'exploitation et la maintenance (réparation).



Ce symbole sert à avertir l'utilisateur de la présence dans le boîtier de l'appareil de tensions dangereuses non isolées posant des risques d'électrocution.

### Attention

**Lire les instructions** • Prendre connaissance de toutes les consignes de sécurité et d'exploitation avant d'utiliser le matériel.

**Conservser les instructions** • Ranger les consignes de sécurité afin de pouvoir les consulter à l'avenir.

**Respecter les avertissements** • Observer tous les avertissements et consignes marqués sur le matériel ou présentés dans la documentation utilisateur.

**Eviter les pièces de fixation** • Ne pas utiliser de pièces de fixation ni d'outils non recommandés par le fabricant du matériel car cela risquerait de poser certains dangers.

## Sicherheitsanleitungen • Deutsch



Dieses Symbol soll dem Benutzer in der im Lieferumfang enthaltenen Dokumentation besonders wichtige Hinweise zur Bedienung und Wartung (Instandhaltung) geben.



Dieses Symbol soll den Benutzer darauf aufmerksam machen, daß im Inneren des Gehäuses dieses Produktes gefährliche Spannungen, die nicht isoliert sind und die einen elektrischen Schock verursachen können, herrschen.

### Achtung

**Lesen der Anleitungen** • Bevor Sie das Gerät zum ersten Mal verwenden, sollten Sie alle Sicherheits- und Bedienungsanleitungen genau durchlesen und verstehen.

**Aufbewahren der Anleitungen** • Die Hinweise zur elektrischen Sicherheit des Produktes sollten Sie aufbewahren, damit Sie im Bedarfsfall darauf zurückgreifen können.

**Befolgen der Warnhinweise** • Befolgen Sie alle Warnhinweise und Anleitungen auf dem Gerät oder in der Benutzerdokumentation.

**Keine Zusatzgeräte** • Verwenden Sie keine Werkzeuge oder Zusatzgeräte, die nicht ausdrücklich vom Hersteller empfohlen wurden, da diese eine Gefahrenquelle darstellen können.

## Instrucciones de seguridad • Español



Este símbolo se utiliza para advertir al usuario sobre instrucciones importantes de operación y mantenimiento (o cambio de partes) que se desean destacar en el contenido de la documentación suministrada con los equipos.



Este símbolo se utiliza para advertir al usuario sobre la presencia de elementos con voltaje peligroso sin protección aislante, que puedan encontrarse dentro de la caja o alojamiento del producto, y que puedan representar riesgo de electrocución.

### Precaución

**Leer las instrucciones** • Leer y analizar todas las instrucciones de operación y seguridad, antes de usar el equipo.

**Conservar las instrucciones** • Conservar las instrucciones de seguridad para futura consulta.

**Obedecer las advertencias** • Todas las advertencias e instrucciones marcadas en el equipo o en la documentación del usuario, deben ser obedecidas.

**Evitar el uso de accesorios** • No usar herramientas o accesorios que no sean específicamente recomendados por el fabricante, ya que podrían implicar riesgos.

## Warning

**Power sources** • This equipment should be operated only from the power source indicated on the product. This equipment is intended to be used with a main power system with a grounded (neutral) conductor. The third (grounding) pin is a safety feature, do not attempt to bypass or disable it.

**Power disconnection** • To remove power from the equipment safely, remove all power cords from the rear of the equipment, or the desktop power module (if detachable), or from the power source receptacle (wall plug).

**Power cord protection** • Power cords should be routed so that they are not likely to be stepped on or pinched by items placed upon or against them.

**Servicing** • Refer all servicing to qualified service personnel. There are no user-serviceable parts inside. To prevent the risk of shock, do not attempt to service this equipment yourself because opening or removing covers may expose you to dangerous voltage or other hazards.

**Slots and openings** • If the equipment has slots or holes in the enclosure, these are provided to prevent overheating of sensitive components inside. These openings must never be blocked by other objects.

**Lithium battery** • There is a danger of explosion if battery is incorrectly replaced. Replace it only with the same or equivalent type recommended by the manufacturer. Dispose of used batteries according to the manufacturer's instructions.

## Avertissement

**Alimentations** • Ne faire fonctionner ce matériel qu'avec la source d'alimentation indiquée sur l'appareil. Ce matériel doit être utilisé avec une alimentation principale comportant un fil de terre (neutre). Le troisième contact (de mise à la terre) constitue un dispositif de sécurité : n'essayez pas de le contourner ni de le désactiver.

**Déconnexion de l'alimentation** • Pour mettre le matériel hors tension sans danger, déconnectez tous les cordons d'alimentation de l'arrière de l'appareil ou du module d'alimentation de bureau (s'il est amovible) ou encore de la prise secteur.

**Protection du cordon d'alimentation** • Acheminer les cordons d'alimentation de manière à ce que personne ne risque de marcher dessus et à ce qu'ils ne soient pas écrasés ou pincés par des objets.

**Réparation-maintenance** • Faire exécuter toutes les interventions de réparation-maintenance par un technicien qualifié. Aucun des éléments internes ne peut être réparé par l'utilisateur. Afin d'éviter tout danger d'électrocution, l'utilisateur ne doit pas essayer de procéder lui-même à des opérations car l'ouverture ou le retrait des couvercles risquent de l'exposer à de hautes tensions et autres dangers.

**Fentes et orifices** • Si le boîtier de l'appareil comporte des fentes ou des orifices, ceux-ci servent à empêcher les composants internes sensibles de surchauffer. Ces ouvertures ne doivent jamais être bloquées par des objets.

**Lithium Batterie** • Il y a danger d'explosion s'il y a un remplacement incorrect de la batterie. Remplacer uniquement avec une batterie du meme type ou d'un type équivalent recommandé par le constructeur. Mettre au reut les batteries usagées conformément aux instructions du fabricant.

## Vorsicht

**Stromquellen** • Dieses Gerät sollte nur über die auf dem Produkt angegebene Stromquelle betrieben werden. Dieses Gerät wurde für eine Verwendung mit einer Hauptstromleitung mit einem geerdeten (neutralen) Leiter konzipiert. Der dritte Kontakt ist für einen Erdschluß, und stellt eine Sicherheitsfunktion dar. Diese sollte nicht umgangen oder außer Betrieb gesetzt werden.

**Stromunterbrechung** • Um das Gerät auf sichere Weise vom Netz zu trennen, sollten Sie alle Netzkabel aus der Rückseite des Gerätes, aus der externen Stromversorgung (falls dies möglich ist) oder aus der Wandsteckdose ziehen.

**Schutz des Netzkabels** • Netzkabel sollten stets so verlegt werden, daß sie nicht im Weg liegen und niemand darauf treten kann oder Objekte darauf- oder unmittelbar dagegestellt werden können.

**Wartung** • Alle Wartungsmaßnahmen sollten nur von qualifiziertem Servicepersonal durchgeführt werden. Die internen Komponenten des Gerätes sind wartungsfrei. Zur Vermeidung eines elektrischen Schocks versuchen Sie in keinem Fall, dieses Gerät selbst öffnen, da beim Entfernen der Abdeckungen die Gefahr eines elektrischen Schlags und/oder andere Gefahren bestehen.

**Schlitze und Öffnungen** • Wenn das Gerät Schlitze oder Löcher im Gehäuse aufweist, dienen diese zur Vermeidung einer Überhitzung der empfindlichen Teile im Inneren. Diese Öffnungen dürfen niemals von anderen Objekten blockiert werden.

**Litium-Batterie** • Explosionsgefahr, falls die Batterie nicht richtig ersetzt wird. Ersetzen Sie verbrauchte Batterien nur durch den gleichen oder einen vergleichbaren Batterietyp, der auch vom Hersteller empfohlen wird. Entsorgen Sie verbrauchte Batterien bitte gemäß den Herstelleranweisungen.

## Advertencia

**Alimentación eléctrica** • Este equipo debe conectarse únicamente a la fuente/tipo de alimentación el mismo. La alimentación eléctrica indicada en el equipo de este equipo debe provenir de un sistema de distribución general con conductor neutro a tierra. La tercera pata (puesta a tierra) es una medida de seguridad, no puentearla ni eliminarla.

**Desconexión de alimentación eléctrica** • Para desconectar con seguridad la acometida de alimentación eléctrica al equipo, desenchufar todos los cables de alimentación en el panel trasero del equipo, o desenchufar el módulo de alimentación (si fuera independiente), o desenchufar el cable del receptáculo de la pared.

**Protección del cables de alimentación** • Los cables de alimentación eléctrica se deben instalar en lugares donde no sean pisados ni apretados por objetos que se puedan apoyar sobre ellos.

**Reparaciones/mantenimiento** • Solicitar siempre los servicios técnicos de personal calificado. En el interior no hay partes a las que el usuario deba acceder. Para evitar riesgo de electrocución, no intentar personalmente la reparación/ mantenimiento de este equipo, ya que al abrir o extraer las tapas puede quedar expuesto a voltajes peligrosos u otros riesgos.

**Ranuras y aberturas** • Si el equipo posee ranuras o orificios en su caja/alojamiento, es para evitar el sobrecalentamiento de componentes internos sensibles. Estas aberturas nunca se deben obstruir con otros objetos.

**Batería de litio** • Existe riesgo de explosión si esta batería se coloca en la posición incorrecta. Cambiar esta batería únicamente con el mismo tipo (o su equivalente) recomendado por el fabricante. Desachar las baterías usadas siguiendo las instrucciones del fabricante.

# FCC Class A Notice

*Note: This equipment has been tested and found to comply with the limits for a Class A digital device, pursuant to part 15 of the FCC Rules. These limits are designed to provide reasonable protection against harmful interference when the equipment is operated in a commercial environment. This equipment generates, uses and can radiate radio frequency energy and, if not installed and used in accordance with the instruction manual, may cause harmful interference to radio communications. Operation of this equipment in a residential area is likely to cause harmful interference, in which case the user will be required to correct the interference at his own expense.*

*Note: This unit was tested with shielded cables on the peripheral devices. Shielded cables must be used with the unit to ensure compliance.*

# Extron's Warranty

*Extron Electronics warrants this product against defects in materials and workmanship for a period of three years from the date of purchase. In the event of malfunction during the warranty period attributable directly to faulty workmanship and/or materials, Extron Electronics will, at its option, repair or replace said products or components, to whatever extent it shall deem necessary to restore said product to proper operating condition, provided that it is returned within the warranty period, with proof of purchase and description of malfunction to:*

**USA, Canada, South America, and Central America:**

Extron Electronics  
1230 South Lewis Street  
Anaheim, CA 92805, USA

**Asia:**

Extron Electronics, Asia  
135 Joo Seng Road, #04-01  
PM Industrial Bldg.  
Singapore 368363

**Europe, Africa, and the Middle East:**

Extron Electronics, Europe  
Beeldschermweg 6C  
3821 AH Amersfoort  
The Netherlands

**Japan:**

Extron Electronics, Japan  
Daisan DMJ Bldg. 6F,  
3-9-1 Kuda Minami  
Chiyoda-ku, Tokyo 102-0074  
Japan

*This Limited Warranty does not apply if the fault has been caused by misuse, improper handling care, electrical or mechanical abuse, abnormal operating conditions or non-Extron authorized modification to the product.*

*If it has been determined that the product is defective, please call Extron and ask for an Applications Engineer at (714) 491-1500 (USA), 31.33.453.4040 (Europe), 65.6383.4400 (Asia), or 81.3.3511.7655 (Japan) to receive an RA# (Return Authorization number). This will begin the repair process as quickly as possible.*

*Units must be returned insured, with shipping charges prepaid. If not insured, you assume the risk of loss or damage during shipment. Returned units must include the serial number and a description of the problem, as well as the name of the person to contact in case there are any questions.*

*Extron Electronics makes no further warranties either expressed or implied with respect to the product and its quality, performance, merchantability, or fitness for any particular use. In no event will Extron Electronics be liable for direct, indirect, or consequential damages resulting from any defect in this product even if Extron Electronics has been advised of such damage.*

*Please note that laws vary from state to state and country to country, and that some provisions of this warranty may not apply to you.*

# Table of Contents

---

<b>Chapter 1 • Introduction</b> .....	1-1
<b>About this Manual</b> .....	1-2
<b>About the RGB 460<math>\chi</math>i Series of Interfaces</b> .....	1-2
<b>Features</b> .....	1-2
<b>Chapter 2 • Installation and Operation</b> .....	2-1
<b>Installation Overview</b> .....	2-2
<b>UL Requirements</b> .....	2-2
<b>Interface Details</b> .....	2-3
Front panel features and cabling .....	2-3
Euro Channel and floorbox versions .....	2-6
Rear panel features and cabling .....	2-6
Pre-installation testing/troubleshooting .....	2-9
Mounting the optional AAP or MAAP device .....	2-11
<b>Application Examples</b> .....	2-12
<b>Appendix A • Specifications, Part Numbers, and Accessories</b> .....	A-1
<b>Specifications</b> .....	A-2
<b>Included Parts</b> .....	A-6
<b>Accessories</b> .....	A-7
<b>Cables</b> .....	A-7
<b>Optional Adapter Plates</b> .....	A-8

*All trademarks mentioned in this manual are the properties of their respective owners.*

68-542-01 **Rev. D**  
Printed in the USA  
06 03



# 1 Chapter One

## Introduction

About this Manual

About the RGB 460 $\chi$ i Series of Interfaces

Features

### About this Manual

This manual contains information about the Extron RGB 460*χ*i series of universal wall, furniture, and floorbox mountable interfaces, and on how to configure and operate them. “RGB 460*χ*i” or “interface” will be used to refer to all models interchangeably unless otherwise noted.

For information on installing the wallbox-mountable versions of these interfaces, refer to one of the available installation guides. For wall or furniture mount installations, with Euro Channel versions, refer to #68-636-03. For Steel City® floorbox installations, refer to #68-636-04. For MK box installations, refer to #68-636-02. For FSR floorbox installations, refer to #68-636-05.

### About the RGB 460*χ*i Series of Interfaces

The Extron RGB 460*χ*i (all), RGB 460*χ*i Dual, RGB 464*χ*i, RGB 468*χ*i, and RGB 468 M*χ*i are compact, wallbox or floorbox mountable computer video interfaces. Each interface comes in either a two-gang (RGB 460*χ*i), three-gang (RGB 464*χ*i and RGB 468 M*χ*i), or four-gang (RGB 460*χ*i Dual and RGB 468*χ*i) wall box size, except Steel City, MK, and FSR floorbox models. Optionally, the two-gang and four-gang (except for the RGB 460*χ*i Dual, MK, and FSR models) interfaces come in an EC version which mounts in a Euro Channel. The interfaces (except for the RGB 460*χ*i Dual, MK, and FSR models) are also wall/furniture mountable and come with a matching mud ring kit (part #70-086-xx). The interfaces have a 300 MHz (-3dB) video bandwidth.

Each interface accepts one computer video input (15-pin HD) and one stereo audio input, and all models include a 15-pin HD buffered local monitor output.

### Features

**Horizontal shifting control** — The displayed image may be shifted to the left or right by turning a front panel knob.

**Advanced Digital Sync Processing™ (ADSP™)** — ADSP allows sync processing operations, such as horizontal centering, to occur without affecting the signal’s sync timing. This allows horizontal centering to be applied to signals that are output to digital display devices such as LCD projectors, DLP projectors and plasma displays. An internal DIP switch provides another option, Digital Display Sync Processing™ (DDSP™), to ensure proper displays without altering sync pulse timing or width.

**Stereo audio** — Unbalanced stereo audio inputs can be output as balanced or unbalanced unamplified stereo audio.



# Chapter Two

## Installation and Operation

Installation Overview

UL Requirements

Interface Details

Application Examples

# Installation and Operation

## Installation Overview

**CAUTION** Installation and service must be performed by authorized personnel only. UL Listed electrical boxes are recommended. See "UL Requirements" in this chapter.

To install and set up an RGB 460xi series interface, follow these steps:

- 1 Turn all of the equipment off. Make sure that the computer, the interface, and the output devices (projector/monitor, speakers) are all turned off and disconnected from the power source.
- 2 If applicable, prepare the site (refer to the appropriate installation guide for information on your specific situation).
- 3 Attach the cables. See "Front panel features and cabling" and "Rear panel features and cabling" in this chapter.
- 4 Set the rear panel DIP switches. Use the "Rear panel features and cabling" section of this chapter as a guide.
- 5 Connect power cords and turn on the projector/monitor and audio device, the interface, and the computer.
- 6 The picture should now appear, and sound should be audible. If not, ensure that all devices are plugged in and receiving power. Check the cabling and the DIP switch settings, and make adjustments as needed.
- 7 Disconnect power from all the devices.
- 8 Mount the interface into the electrical box (refer to the RGB 400xi Series Installation Guide that addresses your specific requirements). If optional AAP devices are being installed (RGB 468xi or RGB 468 Mxi only), see the section on "Mounting the optional AAP or MAAP device" in this chapter.
- 9 Restore power to the devices.

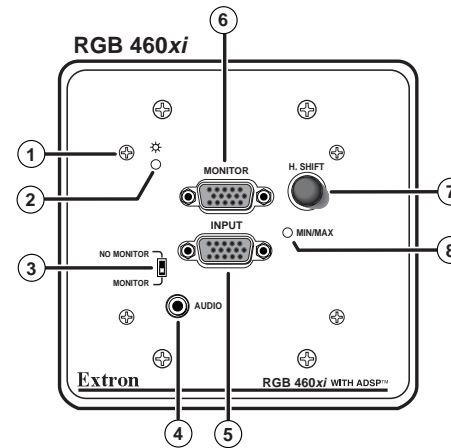
## UL Requirements

The following Underwriters Laboratories (UL) requirements listed pertain to the installation of the RGB 460xi series of interfaces into a wall or furniture.

1. These units are not to be used beyond their rated voltage range.
2. These units must be installed in UL listed junction boxes.
3. These units must be installed with conduit in accordance with the National Electrical Code.

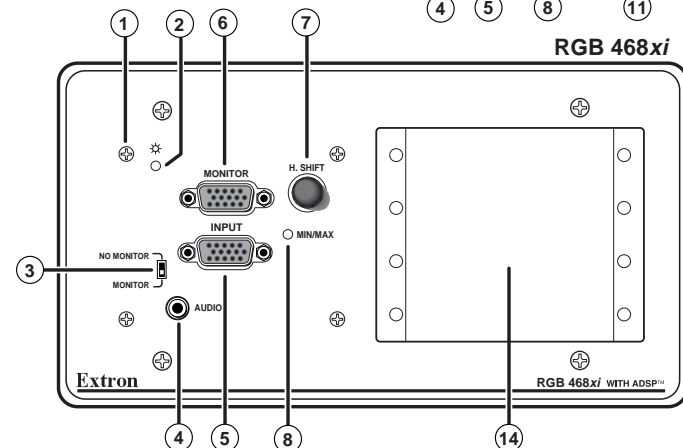
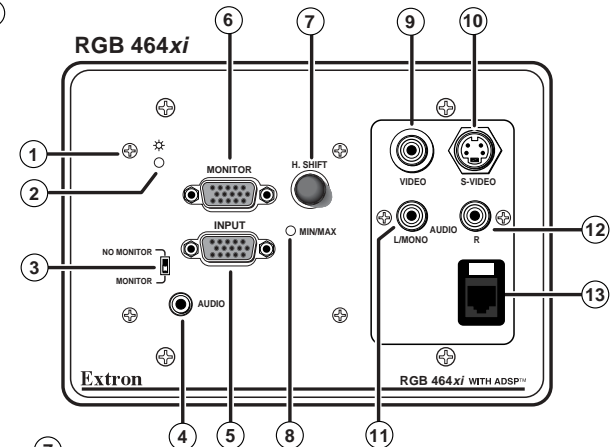
## Interface Details

### Front panel features and cabling



**NOTE** The RGB 460xi Dual (not pictured) consists of two RGB 460xi interfaces placed side-by-side on a 4-gang faceplate.

**NOTE** The RGB 468 Mxi (not pictured) is functionally identical to the RGB 468xi below, except it fits in a 3-gang box and accepts four mini-AAPs (MAAPs).



## Installation and Operation, cont'd

- ① **Faceplate screws** — These screws secure the faceplate to the rest of the interface.

**NOTE** Do not remove these faceplate screws while the interface is attached to the wall or the detached interface may fall down inside the wall.

- ② **Power/signal LED** — This LED lights

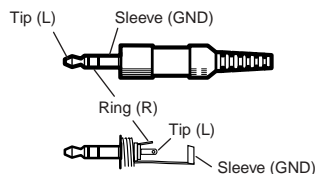
- yellow to indicate that the interface is receiving power.
- green to indicate that an active sync signal is present at the input and the interface is receiving power.

**NOTE** If the input signal has sync on green, the LED will not change from yellow to green

- ③ **No Monitor/Monitor switch** (video input termination) — Set this switch to select the video input impedance that provides the best picture:

- No Monitor (75 ohms) if no local monitor is connected or if the picture is too bright or blooming (unterminated).
- Monitor (high impedance) if a local monitor is connected, a laptop breakout cable is used, or if the picture is too dark.

- ④ **Audio input connector** — Plug a 3.5 mm stereo plug into this jack for unbalanced audio input. Wire the male plug as shown below.



### Audio input wiring

- ⑤ **Computer input connector** — Attach a cable from the computer to the interface via this female 15-pin HD connector.
- ⑥ **Buffered local monitor output connector** — Attach a cable from a local monitor to this female 15-pin HD connector.
- ⑦ **Horizontal shift control knob (H. Shift)** — While viewing the displayed image, rotate this control to move the image to the right or left on the screen. The Min/Max LED (⑧) will flash red whenever the minimum or maximum limit of this control is reached.

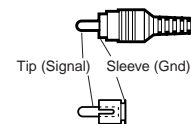
**NOTE** DDSP disables the horizontal shifting control.

- ⑧ **Min/Max LED** — This LED blinks red momentarily whenever the minimum or maximum limits of the horizontal shift control (⑦) have been reached. Continually turning the horizontal shift control knob in the same direction after the limit has been reached will cause the LED to continually blink.

- ⑨ **Composite video connector (RGB 464 $\chi$ i)** — This female RCA-to-BNC type connector provides pass-through capability for composite video input.

- ⑩ **S-video pass-through connector (RGB 464 $\chi$ i)** — Connect an S-video source to this 4-pin mini DIN pass-through connector.

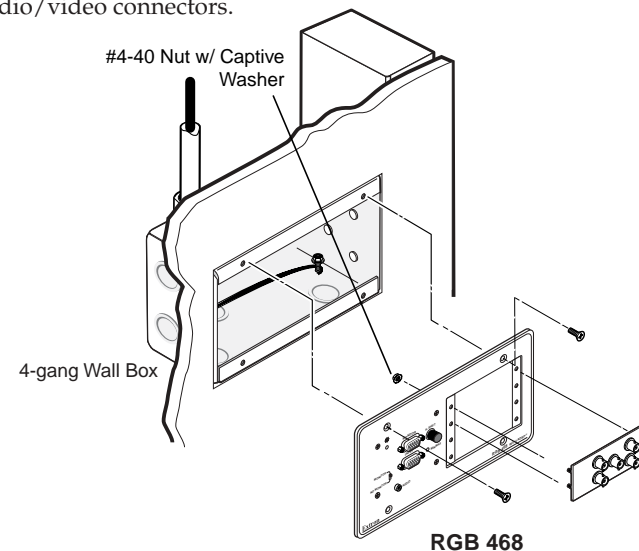
- ⑪ ⑫ **RCA audio connectors (RGB 464 $\chi$ i)** — Connect the left audio signal cable to the white RCA connector (L/Mono), and the right audio signal cable to the red RCA connector (R) for unbalanced stereo audio pass-through input. Wire the RCA plugs as shown at left.



**NOTE** When a mono audio signal is applied to the L/Mono input, the same signal will be output to both left and right audio outputs.

- ⑬ **Network connector (RGB 464 $\chi$ i)** — Connect a computer to this RJ-45 female connector for pass-through to a network.

- ⑭ **Opening for architectural adapter plates** — The RGB 468 $\chi$ i can accept up to four optional standard architectural adapter plates (AAPs) attached here. The RGB 468 M $\chi$ i (not pictured) can accept up to four optional mini architectural adapter plates (MAAPs) attached here. The adapter plates come in a variety of audio/video connectors.



## Installation and Operation, cont'd

Blank plates (two single-space and one double-space) are included with the interfaces to cover unused spaces. Adapter plates must be ordered separately (see "Optional Adapter Plates" in appendix A). They must also be attached to the faceplate and cabled before the interface is installed in the wall or furniture. The screws needed for installing the adapter plates are supplied (MAAPs), or built into the plates (AAPs), so no additional screws will be needed.

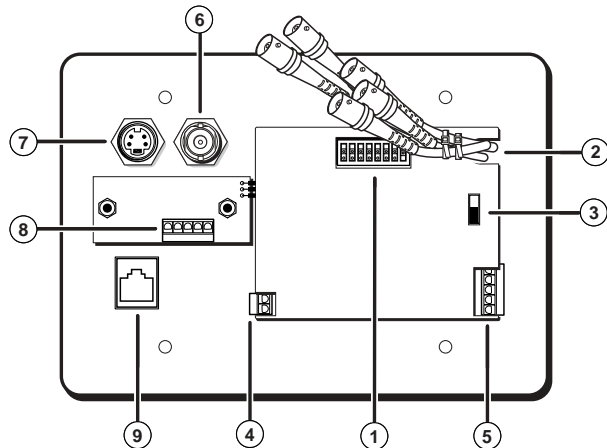
1. Remove the blank plates from the interface by unscrewing the hex screws (MAAPs), or nuts (AAPs) that fasten the plates to the faceplate.
2. Attach the adapter plates to the faceplate with the provided hex screws (MAAPs), or captive washers and #4-40 nuts (AAPs).
3. Attach the output cables to the rear connectors of the adapter plates. Soldering will be required for some connectors. Attach foil and braided shields to ground connections.

### Euro Channel and floorbox versions

The RGB 460 $\chi$ i and RGB 468 $\chi$ i are available in a Euro Channel (EC) version and the RGB 460 $\chi$ i is available in two floorbox models (MK and FSR) (see appendix A for part numbers).

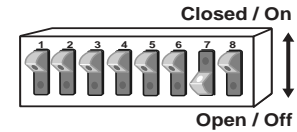
The front and rear panel features, cabling requirements, and testing/troubleshooting procedures are identical to the descriptions shown in this chapter for the wall box models. For installation instructions, see the RGB 400 $\chi$ i Series installation guide that addresses your specific requirements.

### Rear panel features and cabling



Rear panel of the RGB 464 $\chi$ i interface

- ① **DIP switches** — This bank of DIP switches, as illustrated below, controls sync on green output, composite sync output, DDSP (Digital Display Sync Processing), serration pulse output, vertical sync pulse width, and composite sync routing. Moving a switch up will set it to "On" and moving it down will set it to "Off".



**NOTE** The default for all DIP switches except for switch 7 is Off (down).

#### 1 — Sync on green

- Off — The interface outputs separate horizontal and vertical sync (on the H and V connectors) for RGBHV.
- On — The interface outputs sync on green (RGsB).

#### 2 — Composite sync

- Off — The interface outputs RGBHV or RGsB video.
- On — The interface outputs combined horizontal and vertical sync for RGsB.

#### 3 — DDSP (Digital Display Sync Processing)

This feature may be necessary for digital display devices such as LCD, DLP (digital light processing) and plasma displays. Use this option if the image is not displayed properly after other options, such as serration pulse and vertical sync pulse width, have been explored.

- Off — The interface performs sync processing operations, such as centering, with ADSP.
- On — The interface uses DDSP instead of ADSP. DDSP does not process the sync signal.

**NOTE** DDSP disables the horizontal shifting control.

#### 4 — Serration pulse

- Off — The interface does not output serration pulses.
- On — The interface outputs serration pulses in the vertical sync interval.



**5 — Vertical sync pulse width** — For some digital display devices, if no picture appears, the picture cuts in and out, or it is scrambled, try adjusting the output vertical sync pulse width or switching from ADSP to DDSP.

Off — The vertical sync pulse is wide.

On — The vertical sync pulse is narrow.

**6 — Negative sync** — This switch controls sync polarity.

Off — Output sync polarity follows (is the same as) input polarity.

On — Both the horizontal and the vertical sync signals are forced to negative polarity on output.

**7 & 8 — Composite sync routing** — These switches are used to route local monitor signals for Macintosh 13" monitors and all other Macintosh and VGA-type monitors.

7 = On *and*

8 = Off — Sync routing to 15-pin HD local monitor for all Macintosh (non-13") and VGA monitors (default setting).

7 = Off *and*

8 = On — Sync routing to 15-pin HD local monitor for proper sync routing to a Macintosh 13" monitor.

7 = On *and* 8 = On **or**

7 = Off *and* 8 = Off — Invalid combinations. They will not work with either computer type.

**2) RGB video output connectors** — Attach coaxial cables from the interface to the display device via these female BNC connectors. These BNCs are on red, green, blue, black, and yellow pigtail wires secured to the interface by the tie wraps.

For **RGBHV** output: **R** is red, **G** is green, **B** is blue, **H** is black, and **V** is yellow.

For **RGBS** output: **R** is red, **G** is green, **B** is blue, and **S** is black.

For **RGsB** output: **R** is red, **G** is green, and **B** is blue.

**3) Gain switch** — To compensate for cable resistance and capacitance, slide this switch to select the level of video gain that yields the sharpest picture.

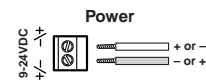
**Normal** (bottom position) — unity gain (no signal boost)

**Medium** (middle position) — mid-level peaking and gain

**Maximum** (top position) — maximum amount of peaking and gain — Select this for use with longer cables.

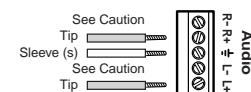
**NOTE** *If the signal cable between the interface and the output device is shorter than approximately 125 feet, and the gain switch is set to Medium or Maximum, the image may be overcompensated. If the edges of the image seem to exceed their boundaries, or if thin lines and sharp edges look thick and fuzzy, try changing the gain/peaking setting. The gain switch will be inaccessible after installation, so adjust the gain before installing the interface into a wall or furniture.*

**4) Power connector** — Connect a 9VDC to 24VDC power supply to this 3.5 mm, 2-pole, direct insertion captive screw connector. Wire the connector as shown here. Polarity is not important.

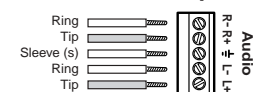


**5) Audio output connector** — Insert wires into and tighten the screws on this 3.5 mm, 5-pole, direct insertion captive screw connector for unbalanced or balanced audio output. Wire the connector as shown here.

### Unbalanced Output



### Balanced Output



**CAUTION** *Connect the sleeve to ground (Gnd). Connecting the sleeve to a negative (-) terminal will damage the audio output circuits.*

**6) Composite video pass-through RCA connector** — A male BNC connector attaches here.

**7) S-video pass-through 4-pin mini DIN connector** — A male 4-pin mini DIN connector attaches here.

**8) Balanced active audio connector** — Insert wires into and tighten the screws on this 3.5 mm, 5-pole, direct insertion captive screw connector for balanced active audio output. Wire the connector as shown above.

**9) Network pass-through RJ-45 connector** — If this connector is not required, a blank cover is supplied to fill this faceplate opening.

## Pre-installation testing/troubleshooting

Before installing the interface into the wall or furniture, test the system to verify that the connections and settings are correct.

Apply power to the interface. The power/signal LED on the interface will light yellow to indicate that the interface is receiving power.

## Installation and Operation, cont'd

If the LED does not light, check the wiring at both the interface and the power supply, and ensure that the power supply is connected to a power source.

**NOTE** *If the input signal has sync on green, the LED will not change from yellow to green.*

### If the image does not appear or there is no sound

1. Make sure that all the devices are powered on.
2. Ensure that the connectors are wired correctly at both ends of the cables. Audio cables must be wired for an unbalanced stereo input signal and for a balanced or an unbalanced stereo output signal.
3. If input is from a laptop computer and no picture appears, use a laptop breakout cable for the input connection. Check the computer's user's guide or contact Extron to determine if special commands are required to output video to the external video port. Also, many laptops' screens shut off after the external video port is activated.
4. Call the Extron S<sup>3</sup> Sales and Technical Support Hotline if the image still does not appear or there is no sound.

### If the image is not displayed correctly

1. If the picture is too bright or dark, or if the edges of the image seem to exceed their boundaries, or if thin lines and sharp edges look thick and fuzzy, change the gain setting.
2. If the picture appears and is stable, but it has ghosting or blooming, verify that the video input is properly terminated. If the problem is not resolved by changing the termination, try using a different input cable. Poor quality or damaged cable can cause ghosting or blooming.
3. If the picture still is not displayed correctly, call the Extron S<sup>3</sup> Sales and Technical Support Hotline.

### If the interface does not respond to horizontal shifting

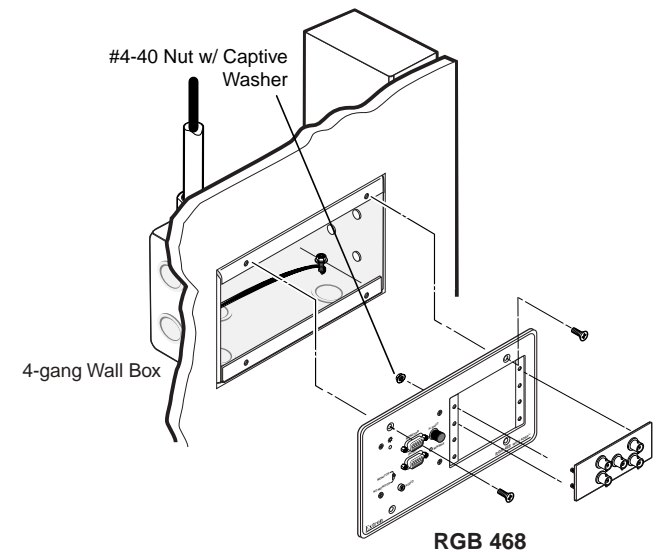
1. If the picture does not move on screen when the horizontal shift control knob is rotated, DDSP is in use. Set the DDSP DIP switch to Off.

Once the system has been cabled and tested, the interface can be installed in the wall or furniture. If optional AAP devices (RGB 468 $\chi$ i only), or MAAP devices (RGB 468 M $\chi$ i only), are being installed, see the following section "Mounting the optional AAP or MAAP device". To mount the interface to a wall box, refer to the RGB 400 $\chi$ i Series installation guide that addresses your specific requirements.

## Mounting the optional AAP or MAAP device

The interface and any optional architectural adapter plates (standard or mini) must be cabled before the interface is installed in a wall or furniture. The screws needed for installing the optional standard AAP devices are built into its front panel, and hex screws are provided with the MAAP devices, so no additional screws will be needed.

1. Before any cables are attached to the front of an AAP device, secure the optional AAP devices to the faceplate with the provided captive washers and #4-40 nuts (standard AAPs), or the 3/32" hex screws (MAAPs).



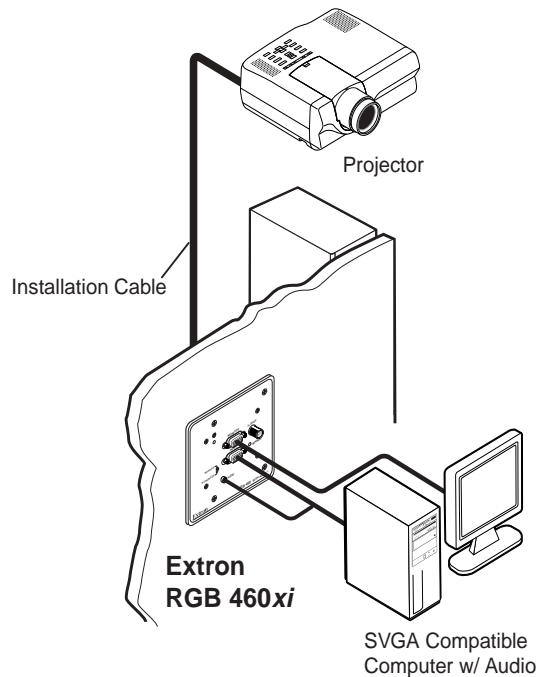
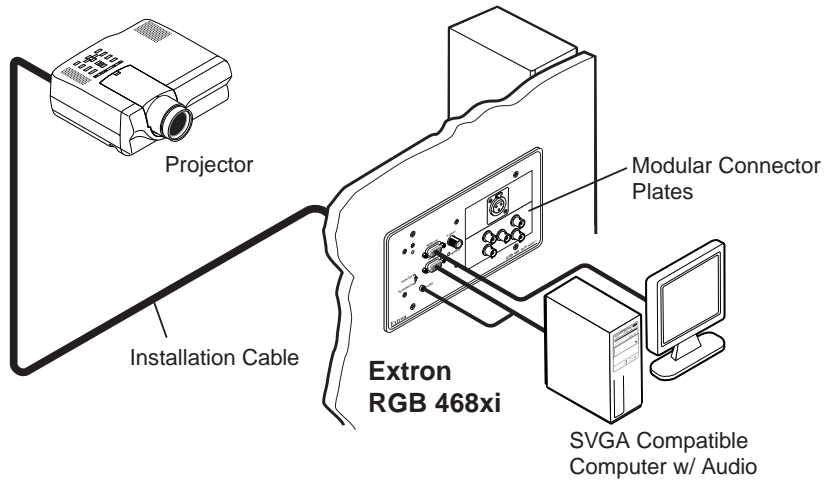
### Mounting the optional AAP device (standard AAP device shown)

2. Follow steps **3** through **9** in the "Installation Overview" section of this chapter. For step **8** (mounting the interface to the wall box), refer to the RGB 400 $\chi$ i Series installation guide that addresses your specific requirements.

Application Examples



RGB 460xi Series



# Appendix A

## Specifications, Part Numbers, and Accessories

Specifications

Included Parts

Accessories

Cables

Optional Adapter Plates

# Specifications, Accessories, Part Numbers

These specifications apply to all models unless otherwise noted.

## Specifications

### Video

Gain .....	Unity (0.7V), 15% with 3dB peaking (0.8V), 30% with 6dB peaking (0.9V)
Bandwidth .....	300 MHz (-3dB)

### Video input and loop through

Number/signal type	
RGB 460 $\chi$ i Dual .....	2 analog RGBHV, RGBS, RGsB
All other models .....	1 analog RGBHV, RGBS, RGsB
Connectors	
RGB 460 $\chi$ i /460 $\chi$ i EC/460 $\chi$ i FSR/464 $\chi$ i/468 $\chi$ i/468 M $\chi$ i/468 $\chi$ i EC	(1) 15-pin HD female buffered input connector and (1) 15-pin HD female local monitor loop through connector
RGB 460 $\chi$ i Dual .....	(2) 15-pin HD female buffered input connectors and (2) 15-pin HD female local monitor loop through connectors
Nominal level .....	0.7V p-p for RGB
Minimum/maximum levels .....	Analog: 0.3V to 1.45V p-p with no offset at unity gain
Impedance .....	75 ohms or Hi Z, switchable (set to 75 ohms if no local monitor is connected)
Horizontal frequency .....	15 kHz to 150 kHz (optimum 15 kHz to 62 kHz)
Vertical frequency .....	30 Hz to 170 Hz
Return loss .....	<-30dB @ 5 MHz

### Video output

Number/signal type	
RGB 460 $\chi$ i Dual .....	2 separate analog RGBHV, RGBS, RGsB
All other models .....	1 analog RGBHV, RGBS, RGsB
Connectors	
RGB 460 $\chi$ i Dual .....	2 x 5 BNC female on 2" to 2.5" cables
All other models .....	5 BNC female on 2" to 2.5" cables
Nominal level .....	0.7V p-p for RGB
Minimum/maximum levels .....	Analog: 0.7V to 0.9V p-p (switch selectable) w/peaking and 0.7V p-p input
Impedance .....	75 ohms
Return loss .....	<-30dB @ 5 MHz

### Sync

Input type .....	Autodetect RGBHV, RGBS, RGsB (accepts RGsB but does not strip from video)
Output type .....	RGBHV ..... at all times RGBS ..... switch selectable RGsB ..... switch selectable or pass-through
Input level .....	2.0V to 5.5V p-p with $\pm$ 0.2VDC offset max.
Output level .....	4.0V to 5.0V p-p
Input impedance .....	510 ohms
Output impedance .....	75 ohms
Max propagation delay .....	52 ns
Max rise/fall time .....	2.5 ns
Polarity .....	Positive or negative

### Audio — all models

Gain .....	Unbalanced output: 0dB, balanced output: +6dB
Response .....	20 Hz to 20 kHz, $\pm$ 0.5dB
THD + Noise .....	0.03% @1 kHz, 0.3% @ 20 kHz at nominal level
S/N .....	>90dB at rated maximum output (14dBu), balanced
Stereo channel separation .....	>90dB @ 1 kHz to 20 kHz

### Audio input — RGB 464 $\chi$ i

Number/signal type .....	2 stereo, unbalanced, 20 Hz to 20 kHz
Connectors .....	Ch. 1 ..... 3.5 mm stereo female jack (2 channel), unbalanced; tip (L), ring (R), sleeve (ground) Ch. 2 ..... 2 RCA female jacks
Impedance .....	>5 kohms unbalanced, DC coupled
Nominal level .....	-10dBV (316mV)
Maximum level .....	+8.5dBu (unbalanced) at 1%THD+N

### Audio input — RGB 460 $\chi$ i, RGB 460 $\chi$ i EC, RGB 460 $\chi$ i FSR, RGB 468 $\chi$ i, RGB 468 M $\chi$ i, RGB 460 $\chi$ i Dual

Number/signal type	
RGB 460 $\chi$ i Dual .....	2 separate, stereo, unbalanced, 20 Hz to 20 kHz
All other models .....	1 stereo, unbalanced, 20 Hz to 20 kHz

## Specifications, Accessories, Part Numbers, cont'd

### Connectors

RGB 460 $\chi$ i Dual .....	(2) 3.5 mm stereo female jacks (2 channel), unbalanced; tip (L), ring (R), sleeve (ground)
All other models .....	3.5 mm stereo female jack (2 channel), unbalanced; tip (L), ring (R), sleeve (ground)
Impedance .....	>5 kohms unbalanced, DC coupled
Nominal level .....	-10dBV (316mV)
Maximum level .....	+8.5dBu (unbalanced) at 1%THD+N

### Audio output — RGB 464 $\chi$ i

Number/signal type .....	2 buffered, stereo (2 channel), balanced/unbalanced
Connectors .....	3.5 mm captive screw connector, 5 pole
Impedance .....	50 ohms unbalanced, 100 ohms balanced
Gain error .....	$\pm$ 0.1dB channel to channel
Maximum level (600 ohm) .....	+14dBm, balanced at stated %THD+N

### Audio output — RGB 460 $\chi$ i, RGB 460 $\chi$ i EC, RGB 460 $\chi$ i FSR, RGB 468 $\chi$ i, RGB 468 M $\chi$ i, RGB 460 $\chi$ i Dual

Number/signal type .....	2 separate, buffered, stereo (2 channel), balanced/unbalanced
All other models .....	1 buffered, stereo (2 channel), balanced/unbalanced
Connectors .....	3.5 mm captive screw connector, 5 pole
Impedance .....	50 ohms, unbalanced, 100 ohms balanced
Gain error .....	$\pm$ 0.1dB channel to channel
Maximum level (600 ohm) .....	+14dBm, balanced at stated %THD+N

**NOTE** 0dBu = 0.775 volts (RMS).

### General

Power .....	100VAC to 240VAC, 50/60 Hz, 5 watts, external, auto-switchable; to a 9 to 24VDC, 0.20 A power supply. Product requires 0.2 A (minimum). (A 12VDC, 1 A power supply is included.)
Temperature/humidity .....	Storage -40° to +158°F (-40° to +70°C) / 10% to 90%, non condensing Operating +32° to +122°F (0° to +50°C) / 10% to 90%, non condensing
Rack mount .....	No

### RGB 460/464/468 $\chi$ i SC models

	Steel City AFM floorbox mountable
RGB 460 $\chi$ i MK .....	MK box mountable
RGB 460 $\chi$ i FSR .....	FSR box mountable
All other models .....	Wall or furniture mountable
Enclosure type .....	Metal
Enclosure dimensions	
RGB 460 $\chi$ i faceplate	4.5" H x 4.6" W x 0.1" D (2 gang) (11.4 cm H x 11.7 cm W x 0.3 cm D)
RGB 460 $\chi$ i MK faceplate ..	3.4" H x 5.7" W x 0.1" D (8.6 cm H x 14.5 cm W x 0.3 cm D)
RGB 460 $\chi$ i FSR faceplate .	4.5" H x 3.6" W x 0.1" D (11.4 cm H x 9.1 cm W x 0.3 cm D)
RGB 464 $\chi$ i/468 M $\chi$ i faceplate	4.5" H x 6.4" W x 0.1" D (3 gang) (11.4 cm H x 16.3 cm W x 0.3 cm D)
RGB 468 $\chi$ i/RGB 460 $\chi$ i Dual faceplate	4.5" H x 8.3" W x 0.1" D (4 gang) (11.4 cm H x 21.2 cm W x 0.3 cm D)
RGB 460 EC faceplates ....	3.2" H x 4.4" W x 0.1" D (8.0 cm H x 11.2 cm W x 0.3 cm D)
RGB 468 EC faceplates ....	3.2" H x 7.7" W x 0.1" D (8.0 cm H x 19.5 cm W x 0.3 cm D)
RGB 460 $\chi$ i SC-AFM2 faceplate	2.9" H x 3.5" W x 0.1" D (7.4 cm H x 8.9 cm W x 0.3 cm D)
RGB 460 $\chi$ i SC-AFM4 faceplate	2.9" H x 5.8" W x 0.1" D (7.4 cm H x 14.7 cm W x 0.3 cm D)
RGB 464 $\chi$ i SC-AFM6, RGB 468 $\chi$ i SC-AFM6 faceplate	2.9" H x 8.9" W x 0.1" D (7.4 cm H x 22.6 cm W x 0.3 cm D)
Interface enclosure for all models (RGB 460 $\chi$ i Dual includes two enclosures)	2.7" H x 3.3" W x 1.0" D (6.9 cm H x 8.4 cm W x 2.8 cm D) (Depth excludes front panel connectors and controls.)
Enclosure dimensions — SC-AFM8 adapter plate	4.4" H x 9.4" W x 0.1" D (11.2 cm H x 23.9 cm W x 0.3 cm D)
Product weight	
RGB 460 $\chi$ i SC-AFM2 .....	0.5 lbs (0.3 kg)

## Specifications, Accessories, Part Numbers, cont'd

RGB 460 $\chi$ i SC-AFM4,	
RGB 464 $\chi$ i SC-AFM6,	
RGB 468 $\chi$ i SC-AFM6 .....	0.8 lbs (0.4 kg)
SC-AFM8 .....	0.6 lbs (0.3 kg)
RGB 460 $\chi$ i, MK and FSR ..	0.5 lbs (0.2 kg)
RGB 464 $\chi$ i, RGB 468 $\chi$ i, RGB 468 M $\chi$ i	
	0.7 lbs (0.3 kg)
EC models .....	0.7 lbs (0.3 kg)
RGB 460 $\chi$ i Dual .....	1.0 lbs (0.5 kg)
Shipping weight (all models) ..	3 lbs (1.4 kg)
Vibration .....	ISTA/NSTA 1A in carton (International Safe Transit Association)
Listings .....	UL, CUL
Compliances .....	CE, FCC Class A, VCCI, AS/NZS, ICES
MTBF .....	30,000 hours
Warranty .....	3 years parts and labor

**NOTE** Specifications are subject to change without notice.

### Included Parts

These items are included in each order for an RGB 400 $\chi$ i series interface:

Included parts	Part number
RGB 460 $\chi$ i (gray, black, white)	60-373-01, -02, -03
or RGB 460 $\chi$ i Dual (gray, black, white)	60-373-11, -12, -13
or RGB 460 $\chi$ i EC (white faceplates)	60-373-10
or RGB 464 $\chi$ i (gray, black, white)	60-449-01, -02, -03
or RGB 468 $\chi$ i (gray, white, black)	60-375-01, -02, -03
or RGB 468 M $\chi$ i (white, black)	60-591-02, -03
or RGB 468 $\chi$ i EC (white)	60-375-10
& 2-gang mud ring kit	70-086-01, -11, -21
or 3-gang mud ring kit	70-086-02, -12, -22
or 4-gang mud ring kit	70-086-03, -13, -23
& 12VDC, .42A external power supply kit	70-159-01
& RGB 400 $\chi$ i Series User's Manual	68-542-01
& RGB 400 $\chi$ i Series Installation Guide	68-636-02, 03, 04, 05

**NOTE** For SC, MK, and FSR part numbers, refer to the installation guide for the appropriate product.

### Accessories

Wall/Junction boxes	Part number
2-gang J-box, 2.5" deep	980083
3-gang J-box, 2.5" deep	980084
4-gang J-box, 2.5" deep	980097

Audio connector	Part number
3.5 mm stereo plug	10-306-01

### Cables

Male-to-male VGA cables	Part number
VGA M6' MHR	26-238-01
VGA M3' MHRA (with audio)	26-490-01
VGA M6' MHRA (with audio)	26-490-02
VGA M12' MHRA (with audio)	26-490-03

Male-to-male 90° VGA cables	Part number
VGAM 90 MHRA 6' (with audio)	26-510-02

Laptop breakout cables	Part number
Mac 15-pin HD F adapter cable kit w/audio	70-156-01
13W3 15-pin HD F adapter cable kit w/audio	70-157-01

High-resolution cables	Part number
BNC-5-3'HR	26-260-15
BNC-5-6'HR	26-260-01
BNC-5-12'HR	26-260-02
BNC-5-25'HR	26-260-03
BNC-5-50'HR	26-260-04
BNC-5-75'HR	26-260-16
BNC-5-100'HR	26-260-05
BNC-5-3'HRP (plenum)	26-378-01

(Continued)

## Specifications, Accessories, Part Numbers, cont'd

High-resolution cables (cont'd)	Part number
BNC-5-6'HRP (plenum)	26-378-02
BNC-5-12'HRP (plenum)	26-378-03
BNC-5-25'HRP (plenum)	26-378-04
BNC-5-50'HRP (plenum)	26-378-05
BNC-5-75'HRP (plenum)	26-378-06
BNC-5-100'HRP (plenum)	26-378-07
Bulk installation cable (14-conductor, non-plenum), 500' HR	22-120-02
Bulk installation cable (17-conductor, plenum), 500' HR	22-111-03

### Optional Adapter Plates

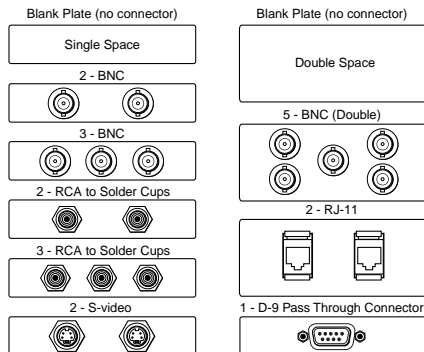
A variety of optional adapter plates for pass-through connections may be ordered for the RGB 468 $\chi$ i and RGB 468 M $\chi$ i interfaces.

The RGB 468 $\chi$ i can have up to 4 adapter plates installed, and the RGB 468 M $\chi$ i can have up to 4 mini adapter plates installed.

The following configurations of adapters could be installed in an RGB 468 $\chi$ i or an RGB 468 M $\chi$ i (mini adapter plates):

- four adapter plates with a "plate size" of one, or
- two adapter plates with a plate size of one and one adapter plate with a plate size of two, or
- two adapter plates with a plate size of two.

Please refer to the current Extron catalog for a complete listing of available AAPs and MAAPs.



**Architectural adapter plates (examples)**

## Free Manuals Download Website

<http://myh66.com>

<http://usermanuals.us>

<http://www.somanuals.com>

<http://www.4manuals.cc>

<http://www.manual-lib.com>

<http://www.404manual.com>

<http://www.luxmanual.com>

<http://aubethermostatmanual.com>

Golf course search by state

<http://golfingnear.com>

Email search by domain

<http://emailbydomain.com>

Auto manuals search

<http://auto.somanuals.com>

TV manuals search

<http://tv.somanuals.com>