



# Aquatic Rescue Command Center™

Model Number 78157

Please keep this instruction sheet for future reference, as it contains important information. Adult assembly is required.

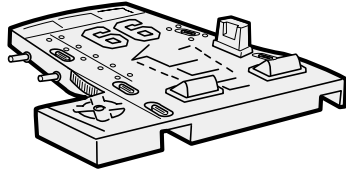


Figures sold separately and subject to availability.  
This toy is not designed for use in water.

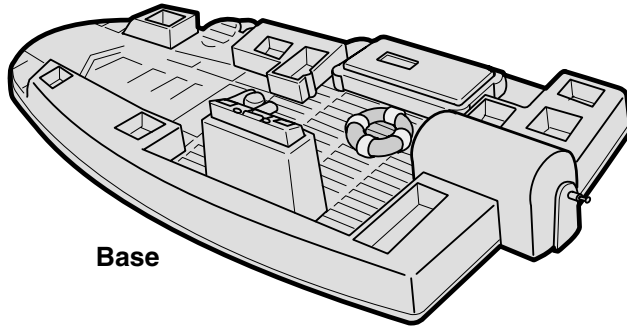
Download from [www.somanuals.com](http://www.somanuals.com). All Manuals Search And Download.

**Fisher-Price®**

# Parts



Bow Deck



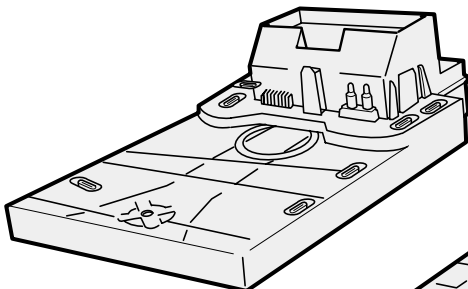
Base



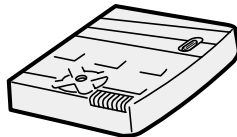
Propeller



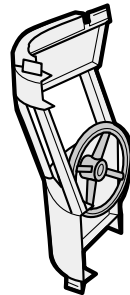
Boat Hook



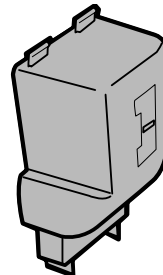
Midship Deck



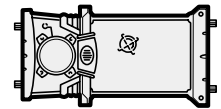
Stern Deck



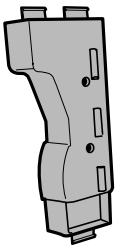
Wheelhouse



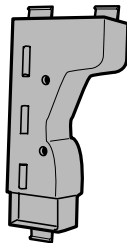
Deck Support G



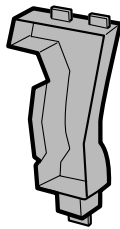
Map



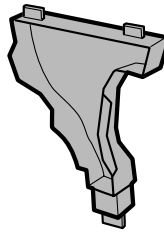
Deck Support A



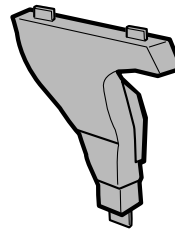
Deck Support B



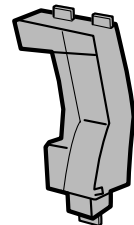
Deck Support C



Deck Support D



Deck Support E

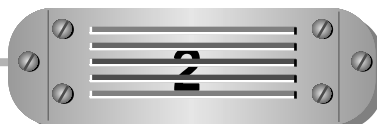


Deck Support F

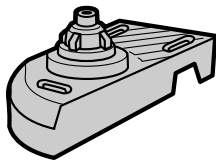


This product contains small parts in its unassembled state.  
Adult assembly is required.

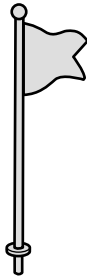
Not shown: Label Sheet



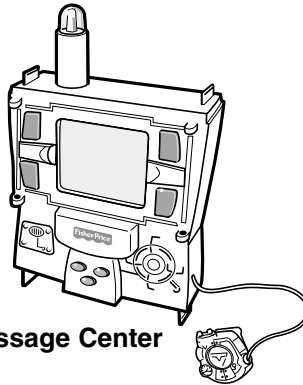
# Parts



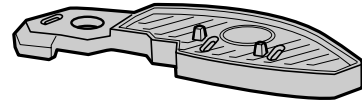
Wheelhouse Roof



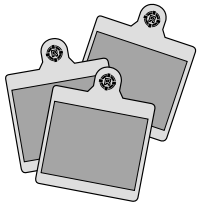
Flag



Message Center



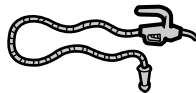
Landing Pad



3 Voice Tech™  
Video Cards



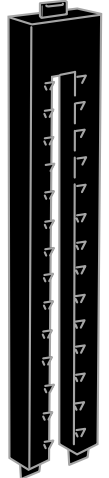
Search Light



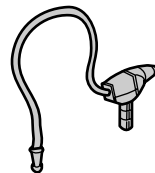
Fuel Hose



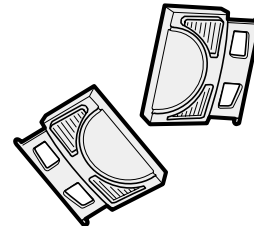
Elevator  
Platform



Elevator  
Column



Repair Wrench



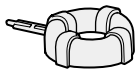
2 Video  
Screen Doors



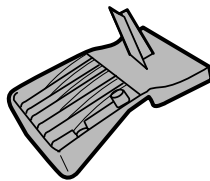
Rescue  
Launcher



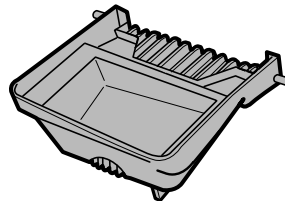
Buoy



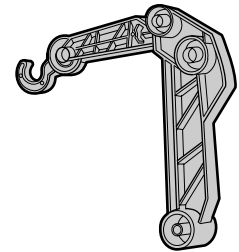
Life  
Preserver



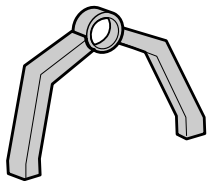
Docking Bay  
Door



Medical Platform



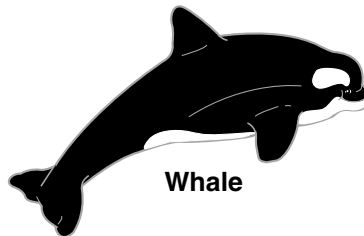
Crane Arm



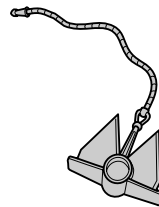
Rescue Platform  
Support



Rescue Platform



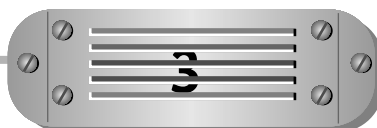
Whale



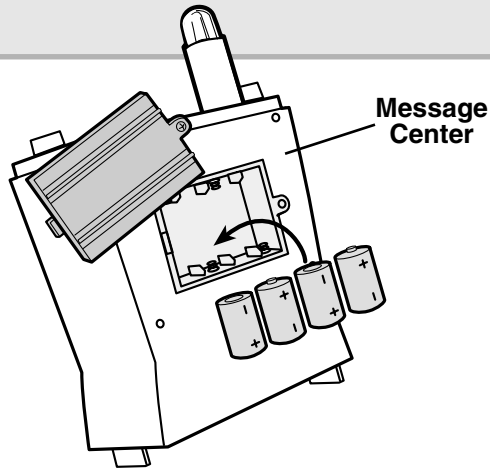
Anchor



Crane Base



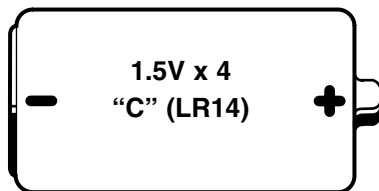
# Battery Installation



Requires four "C" (LR14) **alkaline** batteries for operation (not included). Tool required for battery installation: Phillips screwdriver (not included).

- Locate the battery compartment door on the back of the message center.
- Loosen the screw in the battery compartment door with a Phillips screwdriver.
- Remove the battery compartment door.
- Insert four "C" (LR14) **alkaline** batteries, as indicated inside the battery compartment.
- Fit the tab on the battery compartment door into the slot in the battery compartment. Close the battery compartment door and tighten the screw with a Phillips screwdriver. Do not over-tighten.

**Hint:** We recommend using **alkaline** batteries for longer battery life.



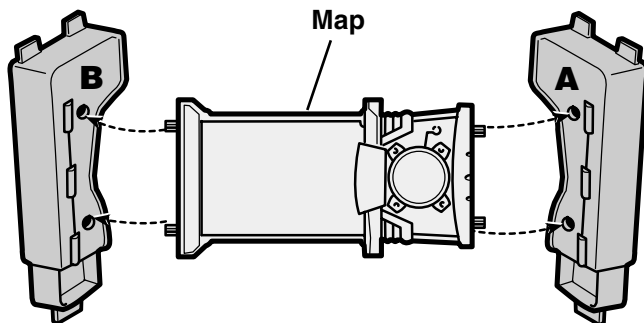
Shown Actual Size

## Battery Tips

- Do not mix old and new batteries.
- Do not mix different types of batteries: alkaline, standard (carbon-zinc) or rechargeable (nickel-cadmium).
- Remove the batteries during long periods of non-use. Always remove exhausted batteries from the toy. Battery leakage and corrosion can damage this toy. Dispose of batteries safely.
- Do not dispose of batteries in a fire. The batteries may explode or leak.
- Never short circuit the battery terminals.
- Non-rechargeable batteries are not to be recharged.
- Only batteries of the same or equivalent type as recommended in the "Battery Installation" instructions are to be used.
- If removable rechargeable batteries are used, they are only to be charged under adult supervision.
- Rechargeable batteries are to be removed from the toy before they are charged.
- If you use a battery charger, it should be examined regularly for damage to the cord, plug, enclosure and other parts. Do not use a damaged battery charger until it has been properly repaired.

# Building the Aquatic Rescue Command Center™

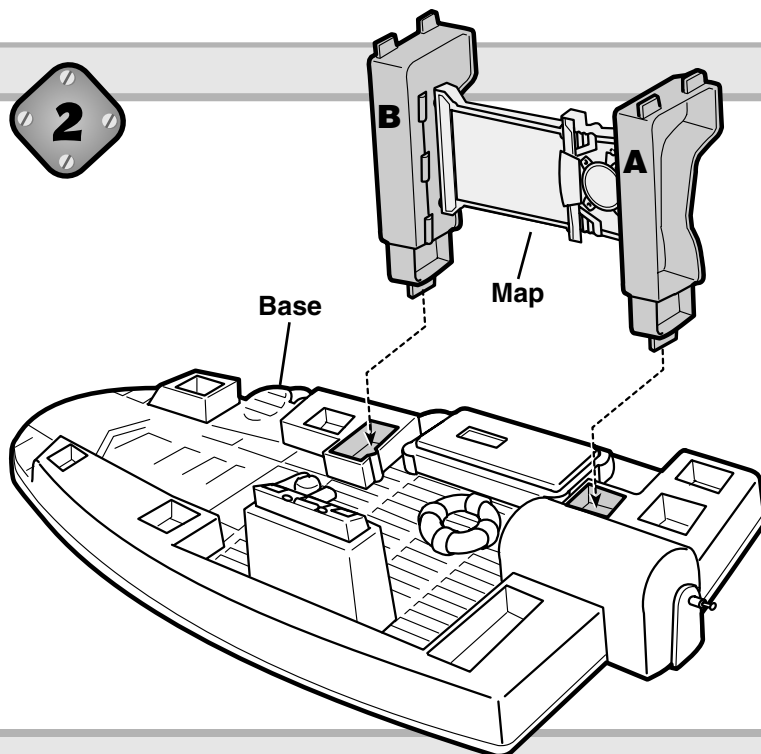
1



- Locate deck supports A and B. Note the markings on the supports.
- Insert the pegs on each end of the map into the holes on the inside of deck support A and deck support B.

**Hint:** You will need to hold these parts together, then proceed to the next step.

2

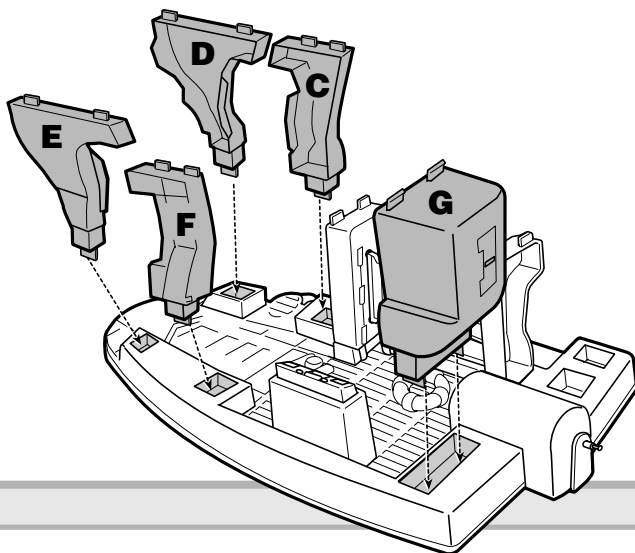


- With the base on a flat surface, note the A and B markings in the square slots.
- Insert and “snap” deck support A and deck support B into the matching base slots marked A and B.
- Pull up on each support to be sure each is secure in the base.

5

## Building the Aquatic Rescue Command Center™

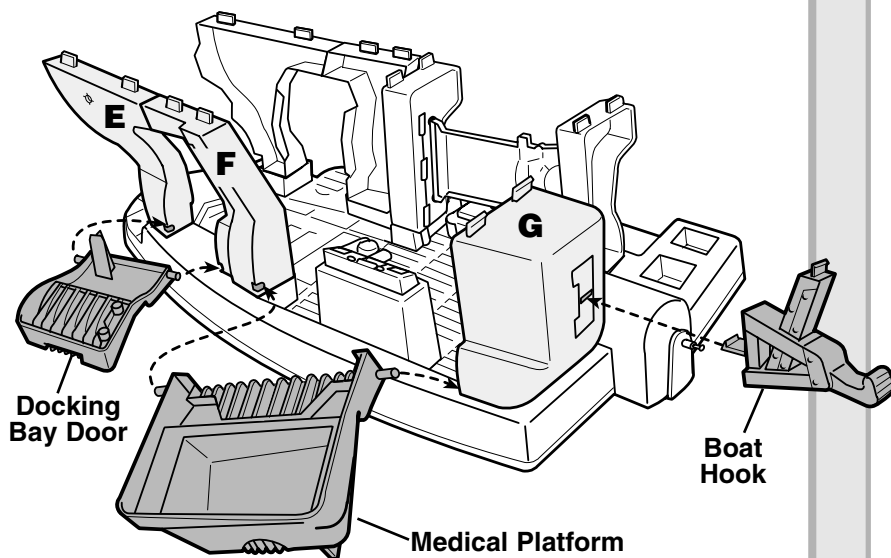
3



- Locate deck supports C, D, E, F, and G. Note the markings on the supports.
- Insert and “snap” deck supports C, D, E, F and G into the matching base slots.
- Pull up on each support to be sure each is secure in the base.

4

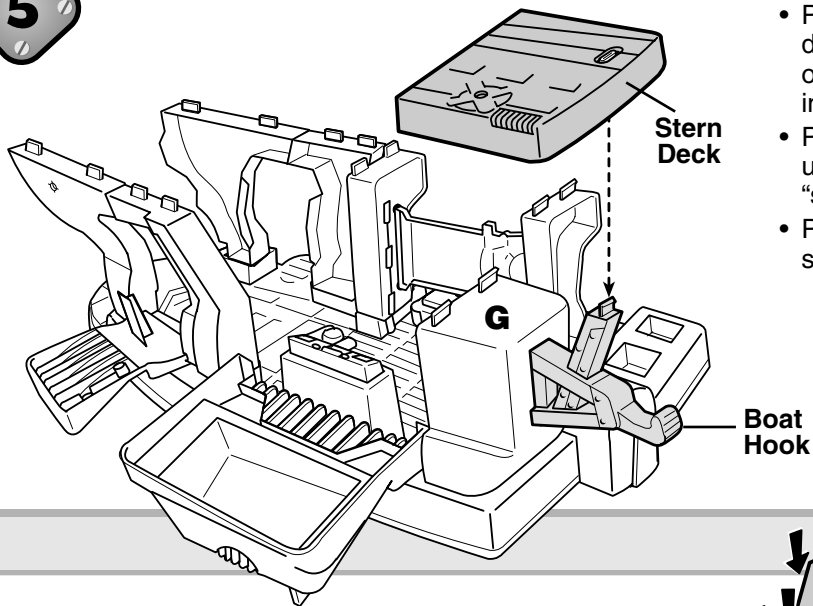
- Place the peg on the right side of the medical platform into the hole in deck support G. Fit the other medical platform peg into the slot in deck support F.
- Place the peg on the right side of the docking bay door into the hole in deck support F. Fit the other docking bay door peg into the slot in deck support E.
- Position the boat hook so that it curves up. Insert and “snap” the tab on the boat hook into the slot on the side of deck support G.



6

# Building the Aquatic Rescue Command Center™

5



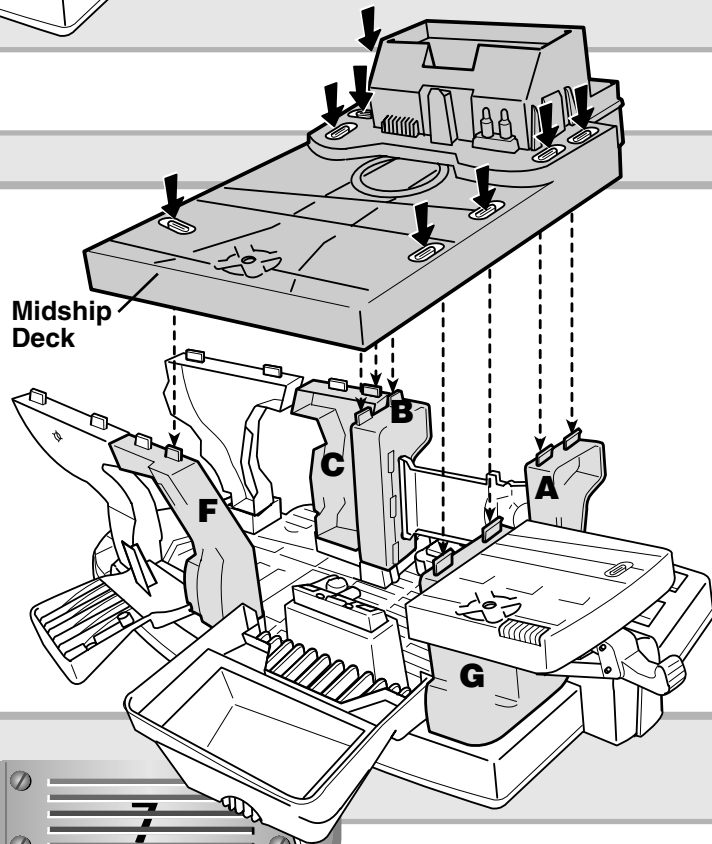
- Place the stern deck on top of deck support G so that the tab on the top of the stern deck fits into the slot on the stern deck.
- Push down on the stern deck until you hear the boat hook tab “snap” in place.
- Pull up on the stern deck to be sure it is secure.

6

- Place the midship deck on top of deck supports A, B, C, F and G. Fit the tabs on top of the deck supports into the eight slots in the midship deck.
- Push down on the midship deck near each slot to “snap” the tabs in place.

**Hint:** It may be easier to “snap” each tab in place if you hold the deck support with one hand while pushing down near the midship deck slot with the other hand.

- Pull up on the midship deck to be sure it is secure.



7

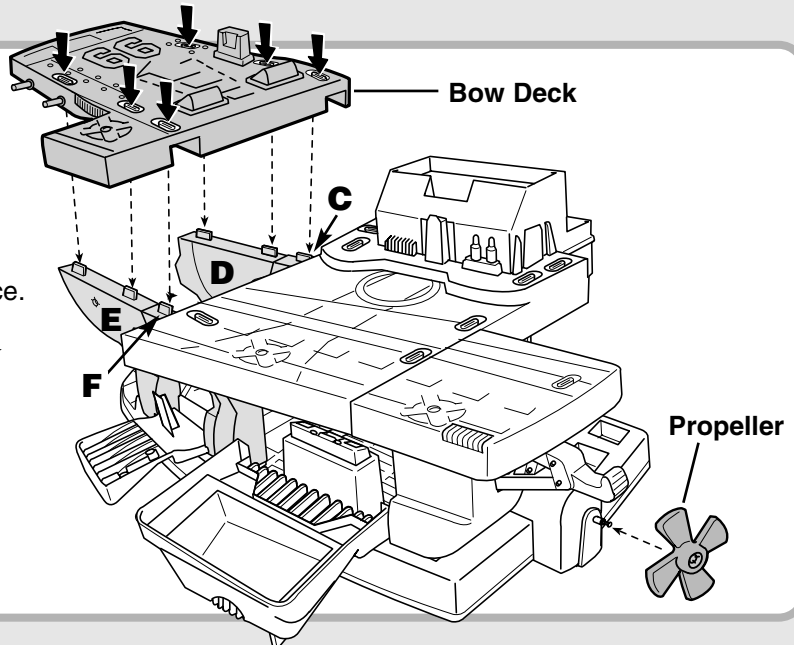
# Building the Aquatic Rescue Command Center™

7

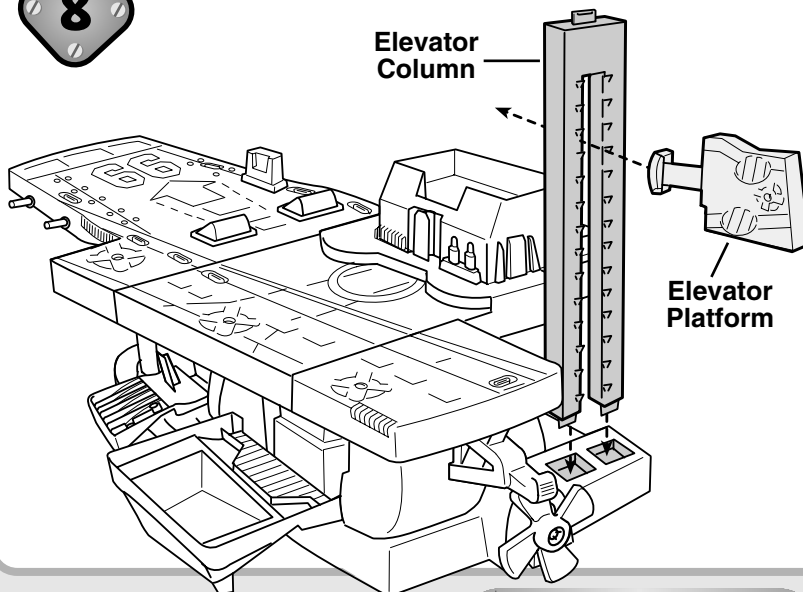
- Place the bow deck on top of deck supports C, D, E and F so that the tabs on the top of supports fit into the six slots on the bow deck.
- Push down on the bow deck near each slot to “snap” the tabs in place.

**Hint:** It may be easier to “snap” each tab in place if you hold the deck support with one hand while pushing down near the bow deck slot with the other hand.

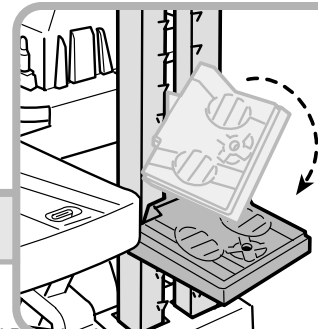
- Pull up on the bow deck to be sure it is secure.
- “Snap” the propeller onto the peg at the rear of the base.



8



- Position the elevator column with the ribbed side facing you.
- Position the elevator platform with the detailed side facing up.
- Tip the elevator platform to fit the tab through the slot in the elevator column.
- Turn the elevator platform so that the detail side faces up. The elevator platform should now stay in place within the elevator column.

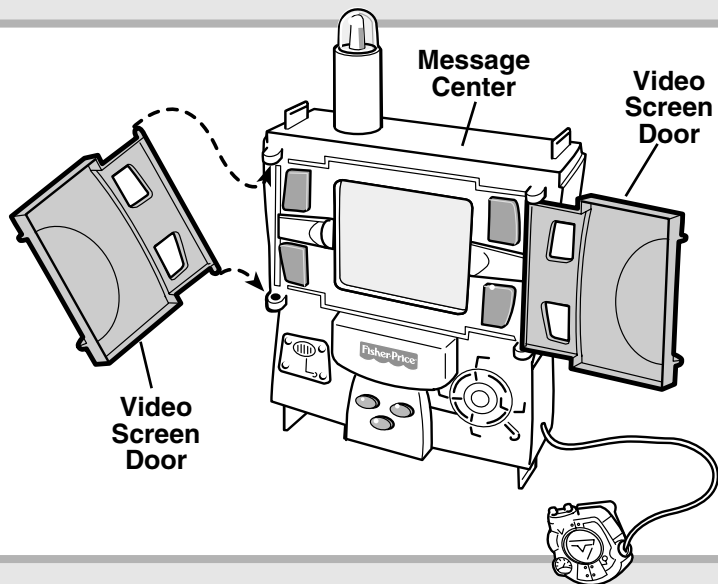




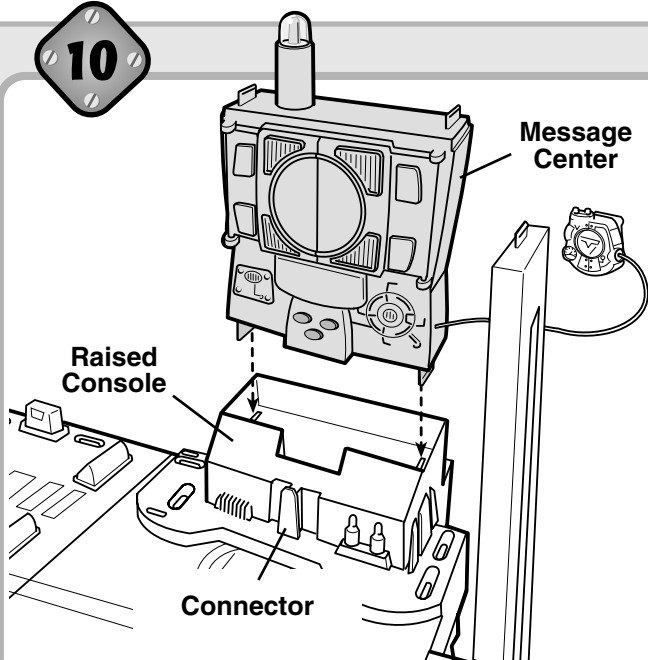
# Building the Aquatic Rescue Command Center™

9

- Locate one of the video screen doors.
- Fit the lower peg on the door into the lower hole in the message center as shown.
- Bend the door slightly to fit the other peg into the upper hole in the message center.
- Repeat this procedure to attach the other video screen door to the message center.

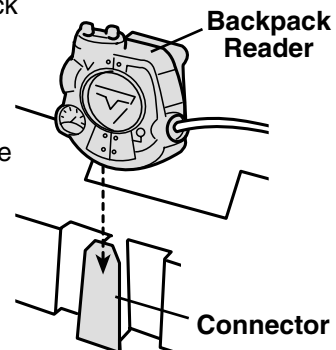


10



- With the message center video screen facing the deck, fit it into the raised console.
- Push down on the message center so both tabs "snap" in place in the raised console.
- Pull up on the message center to be sure it is secure.

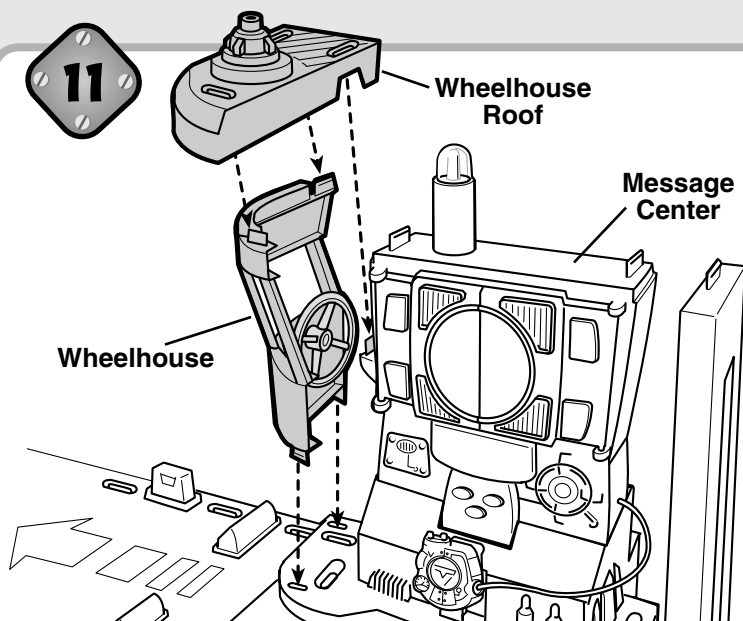
- Slide the backpack reader onto the connector on the raised console. The backpack reader stores here when not in use.



9

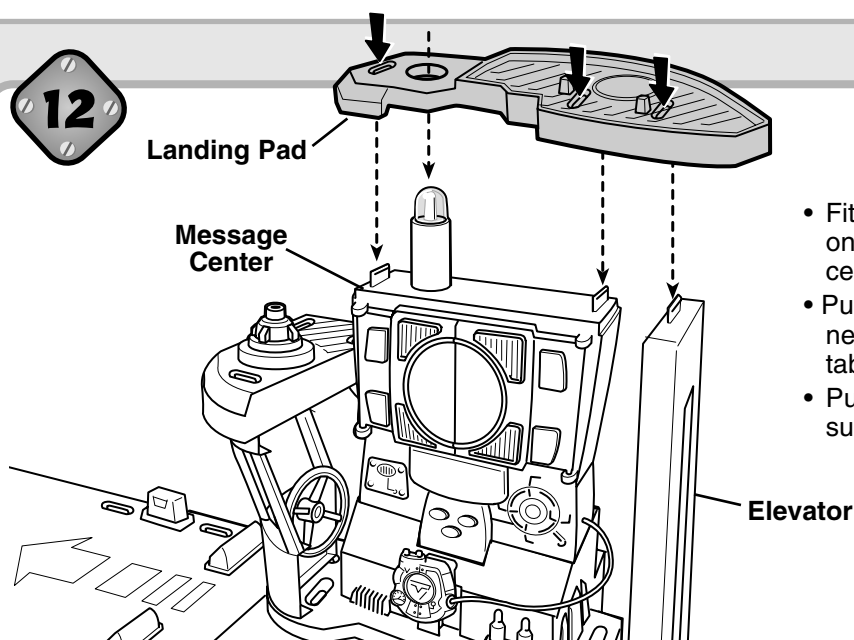
# Building the Aquatic Rescue Command Center™

11



- Fit the tabs on the bottom of the wheelhouse into the slots in the deck.
- Push down on the wheelhouse so that its tabs **"snap"** in place.
- Pull up on the wheelhouse to be sure it is secure.
- Position the slots in the wheelhouse roof over the tabs on top of the wheelhouse.
- Push down on the roof so that it **"snaps"** in place on the wheelhouse.

12



- Fit the slots on the landing pad onto the tabs on the message center and elevator.
- Push down on the landing pad near each slot to **"snap"** the tabs in place.
- Pull up on the landing pad to be sure it is secure.

10

# Building the Aquatic Rescue Command Center™

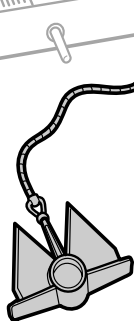
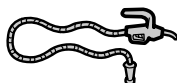
13

Insert and **“snap”** the flag into the hole on the wheelhouse roof.



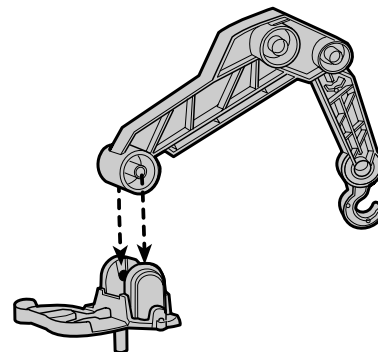
**“Snap”** the search light over the light bulb on top of the landing pad.

Insert and **“snap”** the fuel hose into the hole on the bow deck.

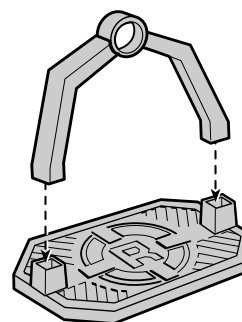


Insert and **“snap”** the anchor into the hole under the bow deck.

Insert and **“snap”** the repair wrench into the hole in the docking bay door.



With the hook end facing away from the base, **“snap”** the crane arm into the crane base.



Insert and **“snap”** the rescue platform support into the rescue platform.

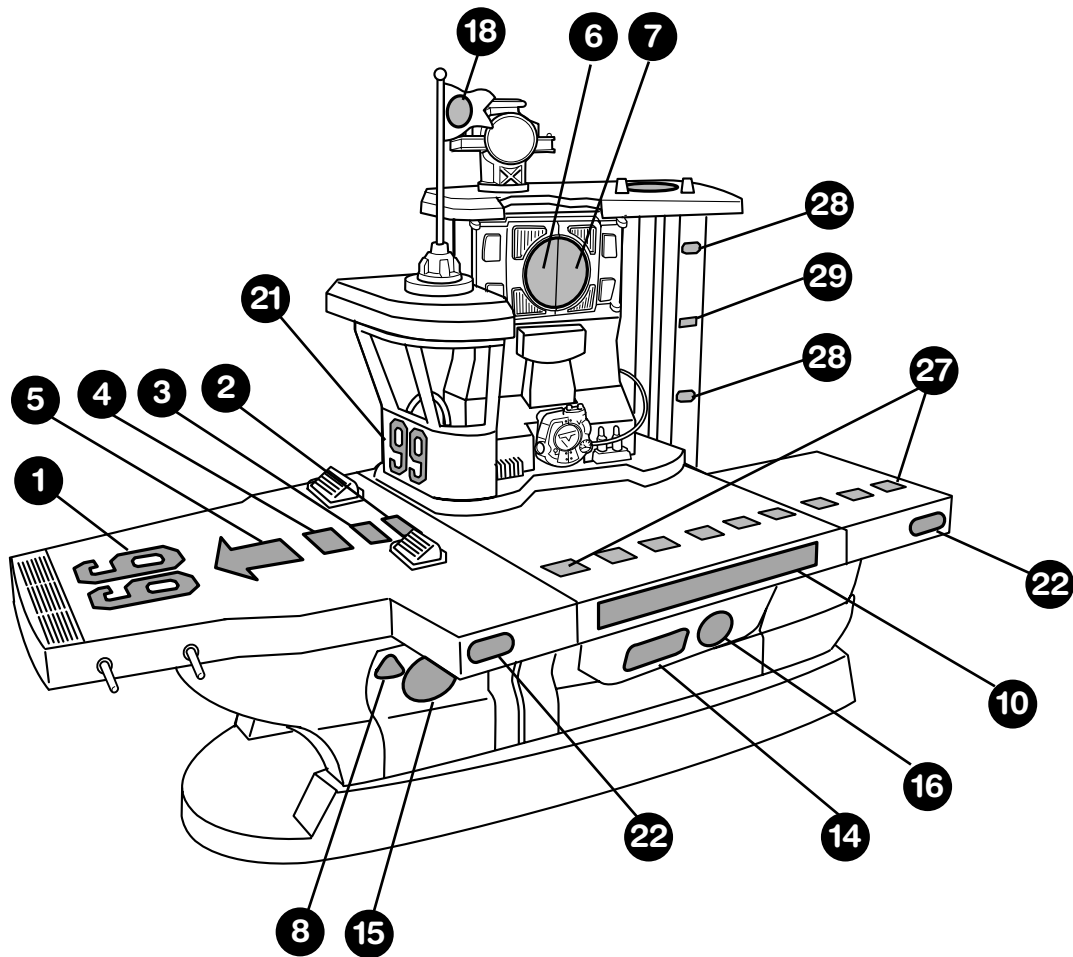
**One time assembly is now complete.**

11

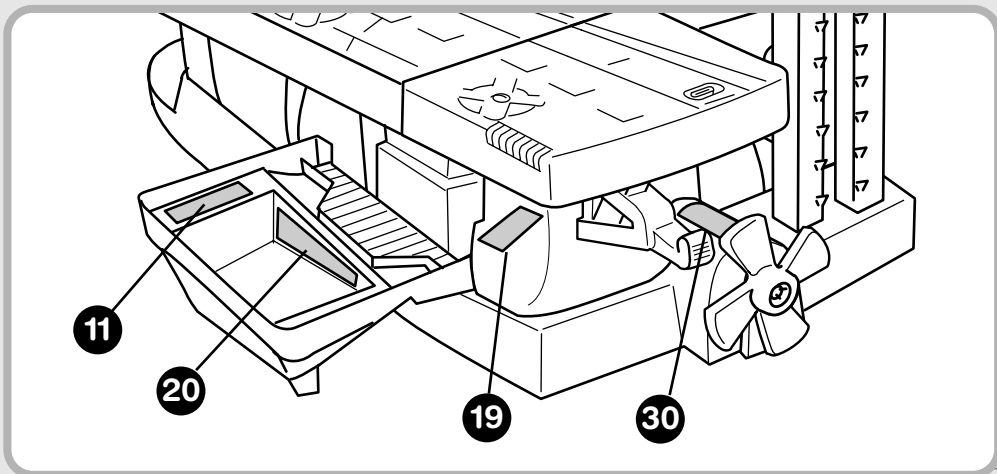
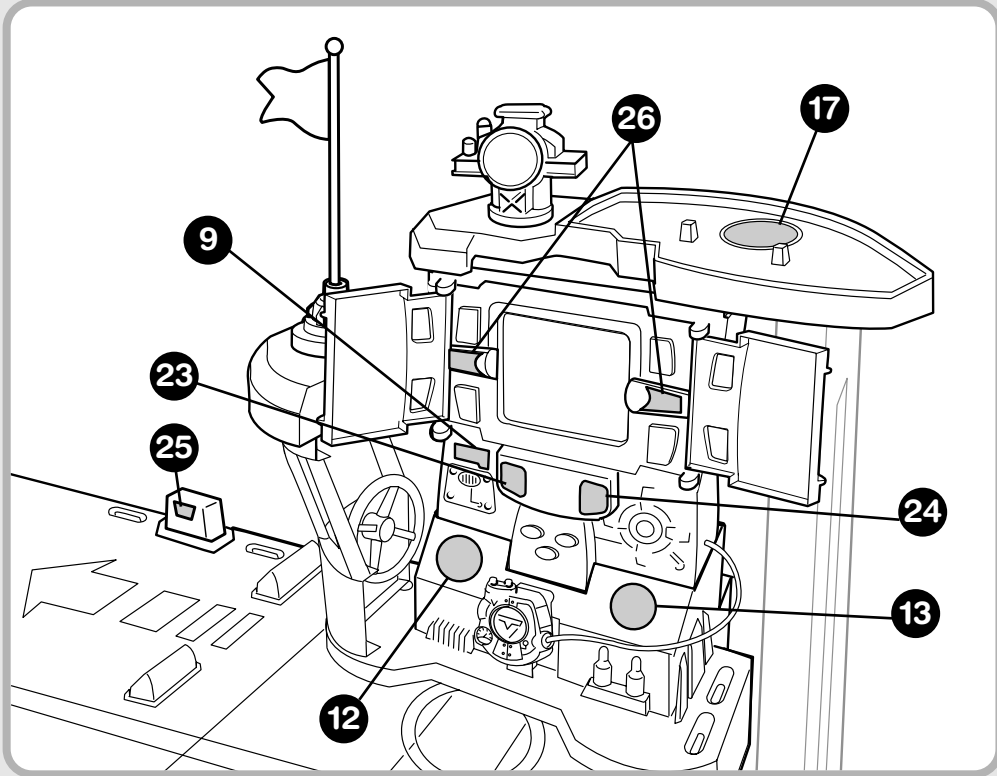
# Label Decoration

***Proper label application will help to keep the labels looking their best! When applying labels, keep the following guidelines in mind:***

- Wash your hands before applying the labels.
- Before applying the labels, wipe the surfaces of this toy with a clean, dry cloth to remove any dust or oils.
- Place the labels exactly as shown in the illustrations.
- For best results, avoid repositioning a label once it has been applied.



# Label Decoration

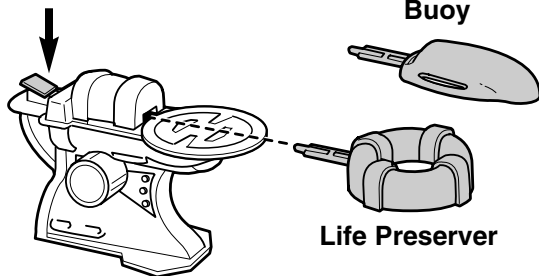


# To the Rescue



- Do not launch the buoy or life preserver at close range.
- Only use the projectiles (buoy and life preserver) supplied with this toy.
- Do not fire at people or animals.

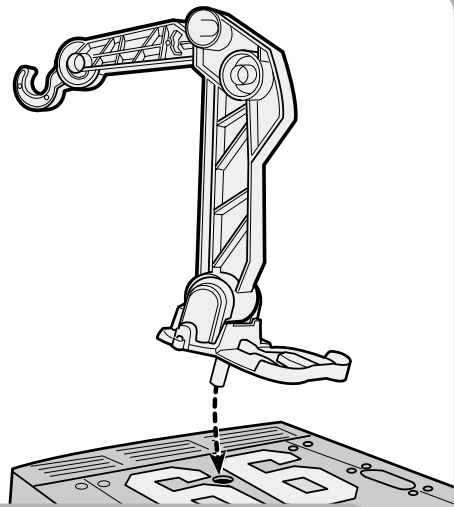
Press  
Button



Launcher

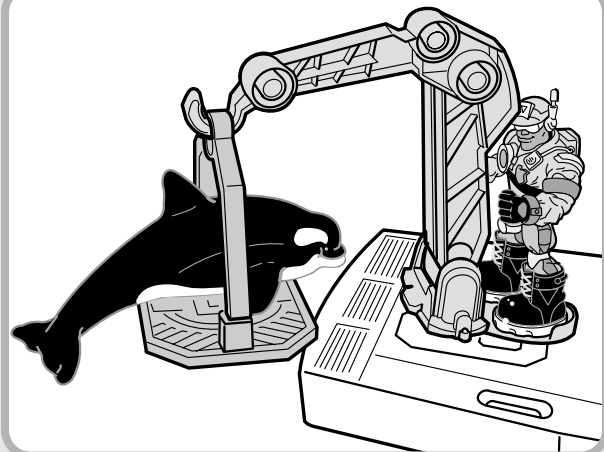
## Rescue Launcher

- Insert the buoy or life preserver into the slot on the launcher.
- Press the launcher button to fire the buoy or life preserver.



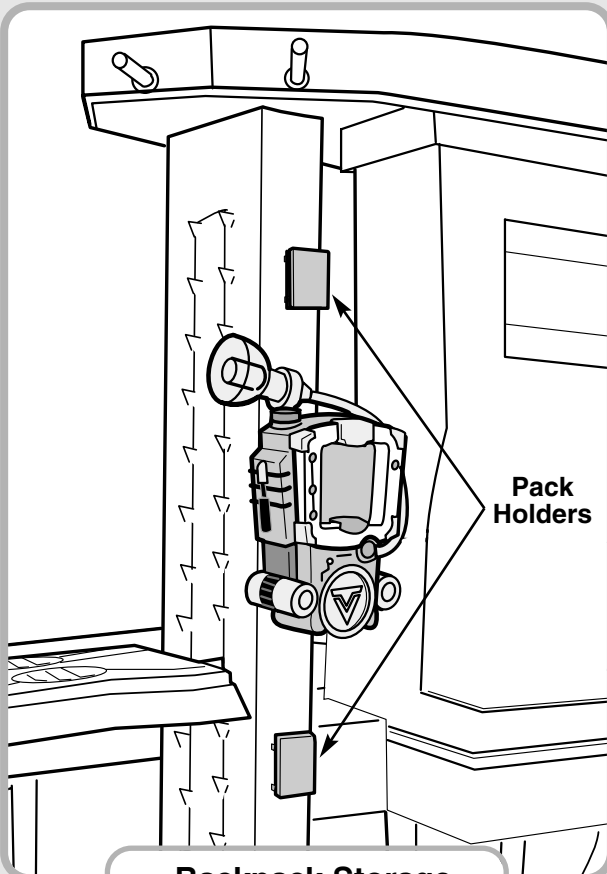
## Pivoting Crane and Rescue Platform

- Insert the peg on the bottom of crane into to any of the holes on the ship's deck or the elevator platform.



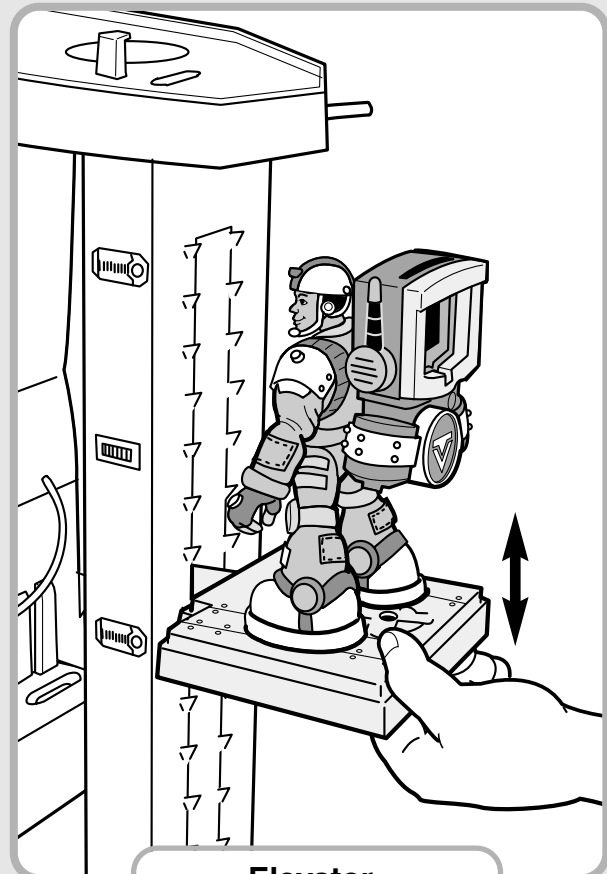
- Use the crane and rescue platform to bring Rescue Heroes™ figures (sold separately) equipment or sea animals aboard.

## To the Rescue



**Backpack Storage**

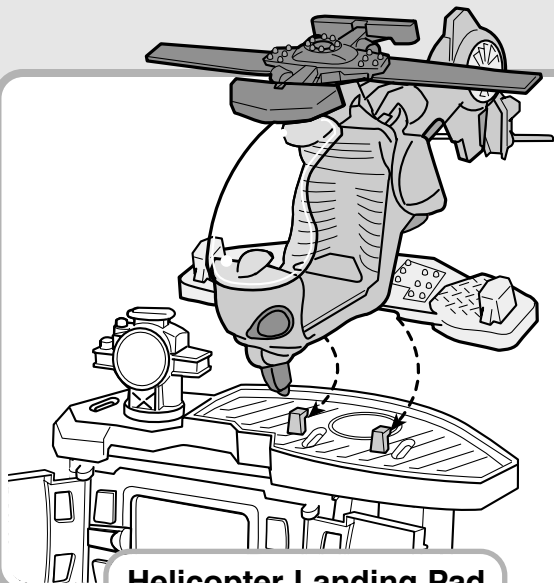
- Fit any of the equipment backpacks (sold separately) onto the pack holders on the elevator column.



**Elevator**

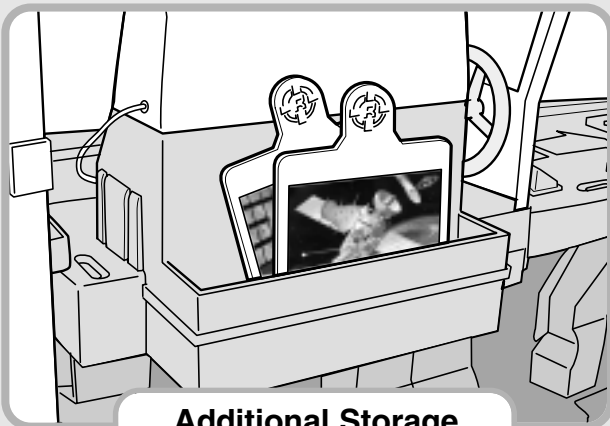
- Place a figure (sold separately) on the elevator footpad. Grasp the edge of the platform to move it up or down.

## To the Rescue



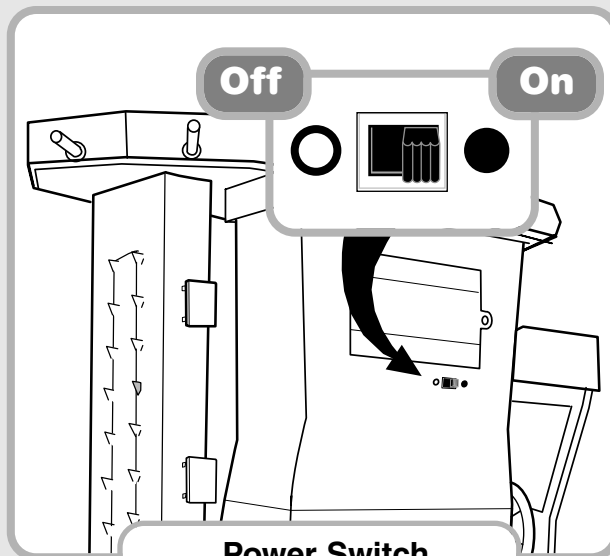
**Helicopter Landing Pad**

Fit the landing gear on the front of the Rescue Heroes™ Quick Response™ Helicopter (sold separately) under the hooks on top of the landing pad. Press down on the back of the landing gear to "**snap**" the helicopter in place.



**Additional Storage**

- Place the Voice Tech™ Video Cards, or other accessories into the storage bin on the back of the message center.



**Power Switch**

- Locate the power switch on the back of the message center.
- Slide the switch to the ● position to turn the toy on. When you're finished, slide the switch to the off ○ position.

**NOTE:** Static electricity may temporarily stop the electronic function of this toy. For example, walking across the rug and touching this toy or sliding Voice Tech™ Video Cards in and out of the message center. To reset the toy, slide the power switch to the off position ○ and then back on ● again.



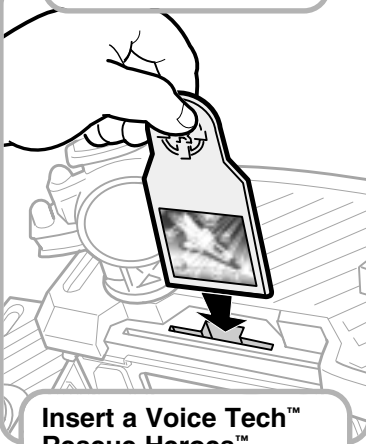
## It's An Incoming Transmission From Warren Waters™

The Message Center on the Aquatic Rescue Command Center™ features a Virtual Video™ Screen. Warren Waters™ addresses the Rescue Heroes™ from the screen and assigns them missions. Three, two-sided Voice Tech™ Video Cards are included for a total of six unique missions.

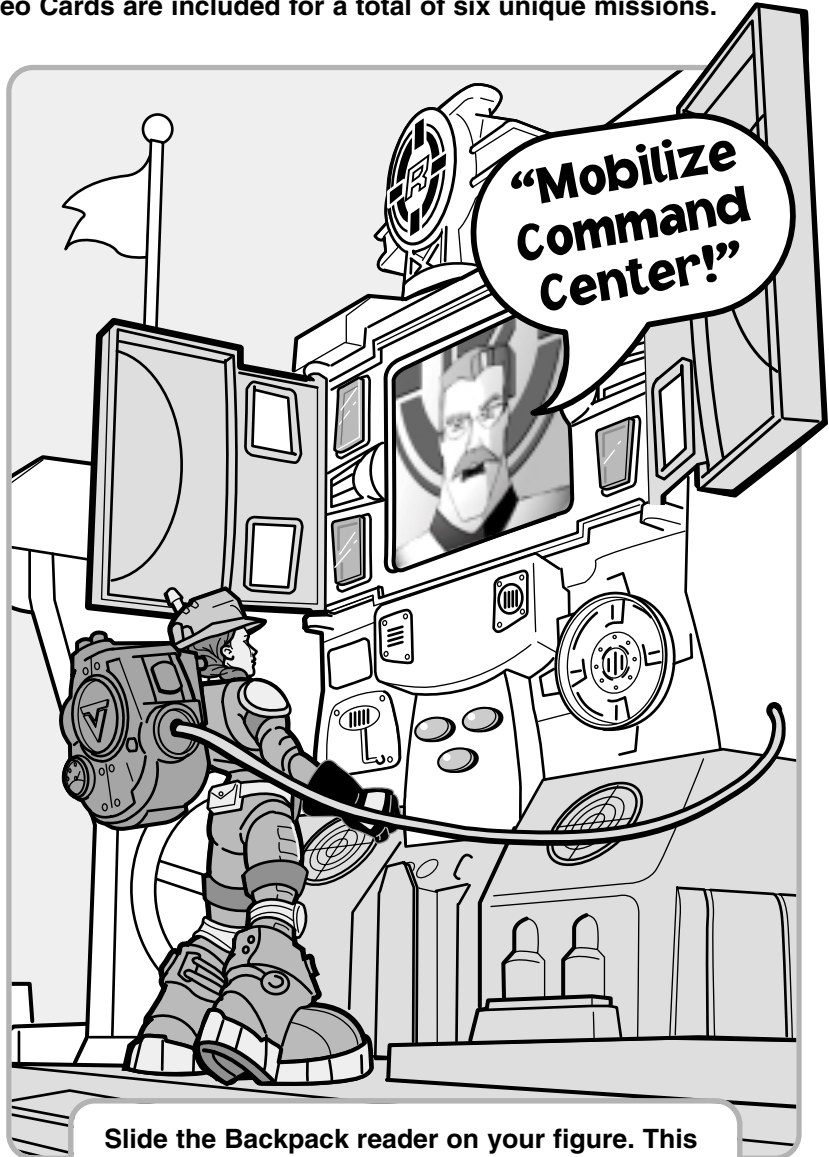


Insert Voice Tech™  
Video Card here.

**OR**



Insert a Voice Tech™  
Rescue Heroes™  
Talking Mission Card  
here. (Sold separately)  
*Note: only insert one  
type of card at a time.*



Slide the Backpack reader on your figure. This  
allows your figure to "talk" to Warren Waters™.

# It's An Incoming Transmission From Warren Waters™

## Left Button

Press at any time  
to hear sound  
effects and see  
flashing lights.

## Right Button

- **With no cards inserted** – Press to see flashing lights and hear the Rescue Heroes™ Theme Song.
- **With Voice Tech™ Video Card inserted** - Press to hear a sound effect from that mission.
- **With Mission Card inserted** (not included) Press to see flashing lights and hear the Rescue Heroes Theme Song.

## Bottom Button

- **With no cards inserted** – Press to hear and see Warren Waters™ give general missions.
- **With Voice Tech Video Card inserted** - Press to hear Warren Waters give a mission specific to that card. and see Video of the mission on the screen. Attach the **Backpack Reader** and press repeatedly to hear the figure and Warren Waters talk to each other.
- **With Mission Card inserted** (not included)– Press to hear and see Warren Waters give a mission specific to that card. Attach the **Backpack Reader** and press repeatedly to hear the figure and Warren Waters talk to each other.

## Care

- Wipe this toy with a clean cloth dampened with a mild soap and water solution. Do not immerse this toy.
- This toy has no consumer serviceable parts. Please do not take this toy apart.
- This toy is not designed for use in water.

## FCC Note (United States Only)

**Note:** This equipment has been tested and found to comply with the limits for a Class B digital device, pursuant to Part 15 of the FCC Rules. These limits are designed to provide reasonable protection against harmful interference in a residential installation. This equipment generates, uses and can radiate radio frequency energy and, if not installed and used in accordance with the instructions, may cause harmful interference to radio communications. However, there is no guarantee that interference will not occur in a particular installation. If this equipment does cause harmful interference to radio or television reception, which can be determined by turning the equipment off and on, the user is encouraged to try to correct the interference by one or more of the following measures:

- Reorient or relocate the receiving antenna.
- Increase the separation between the equipment and receiver.
- Consult the dealer or an experienced radio/TV technician for help.

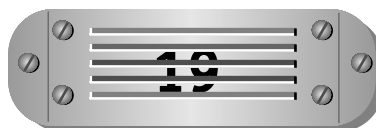
**CAUTION:** Changes or modifications not expressly approved by the manufacturer responsible for compliance could void the user's authority to operate the equipment.

## Consumer Information

### Questions? We'd like to hear from you!

Call Fisher-Price® Consumer Relations, toll-free at **1-800-432-KIDS**, 8 AM - 6 PM EST Monday through Friday. Hearing-impaired consumers using TTY/TDD equipment, please call 1-800-382-7470. Or, write to: Fisher-Price® Consumer Relations, 636 Girard Avenue, East Aurora, New York 14052.

For other countries, outside the United States: **Canada:** call **1-800-567-7724**, or write to: Mattel Canada Inc, 6155 Freemont Blvd., Mississauga, Ontario L5R 3W2. **Great Britain:** telephone **01628 500303**.  
**Australia:** Mattel Australia Pty. Ltd., 658 Church Street, Locked Bag #870, Richmond, Victoria 3121 Australia.  
Consumer Advisory Service 1300 135 312. **New Zealand:** 16-18 William Pickering Drive, Albany 1331, Auckland.



**Look for These Other Rescue Heroes™  
Products (Each Sold Separately)**



Figure not included  
**Quick Response™  
Watercraft 72867**



Figure not included  
**Quick Response™  
Helicopter 72844**



Figure not included  
**Voice Tech™  
Rescue Jet 77473**

[www.rescueheroes.com](http://www.rescueheroes.com)



**Jake Justice™  
77459**

**Jack Hammer™  
77458**

**Rocky Canyon™  
77545**

**Billy Blazes™  
77457**

**Wendy Waters™  
77460**

**Roger Houson™  
77546**

Fisher-Price, Inc., a subsidiary of Mattel, Inc., East Aurora, NY 14052 U.S.A.  
© 2001 Mattel, Inc. All Rights Reserved. ® and ™ designate U.S. trademarks of Mattel, Inc., unless other wise noted.

## Free Manuals Download Website

<http://myh66.com>

<http://usermanuals.us>

<http://www.somanuals.com>

<http://www.4manuals.cc>

<http://www.manual-lib.com>

<http://www.404manual.com>

<http://www.luxmanual.com>

<http://aubethermostatmanual.com>

Golf course search by state

<http://golfingnear.com>

Email search by domain

<http://emailbydomain.com>

Auto manuals search

<http://auto.somanuals.com>

TV manuals search

<http://tv.somanuals.com>